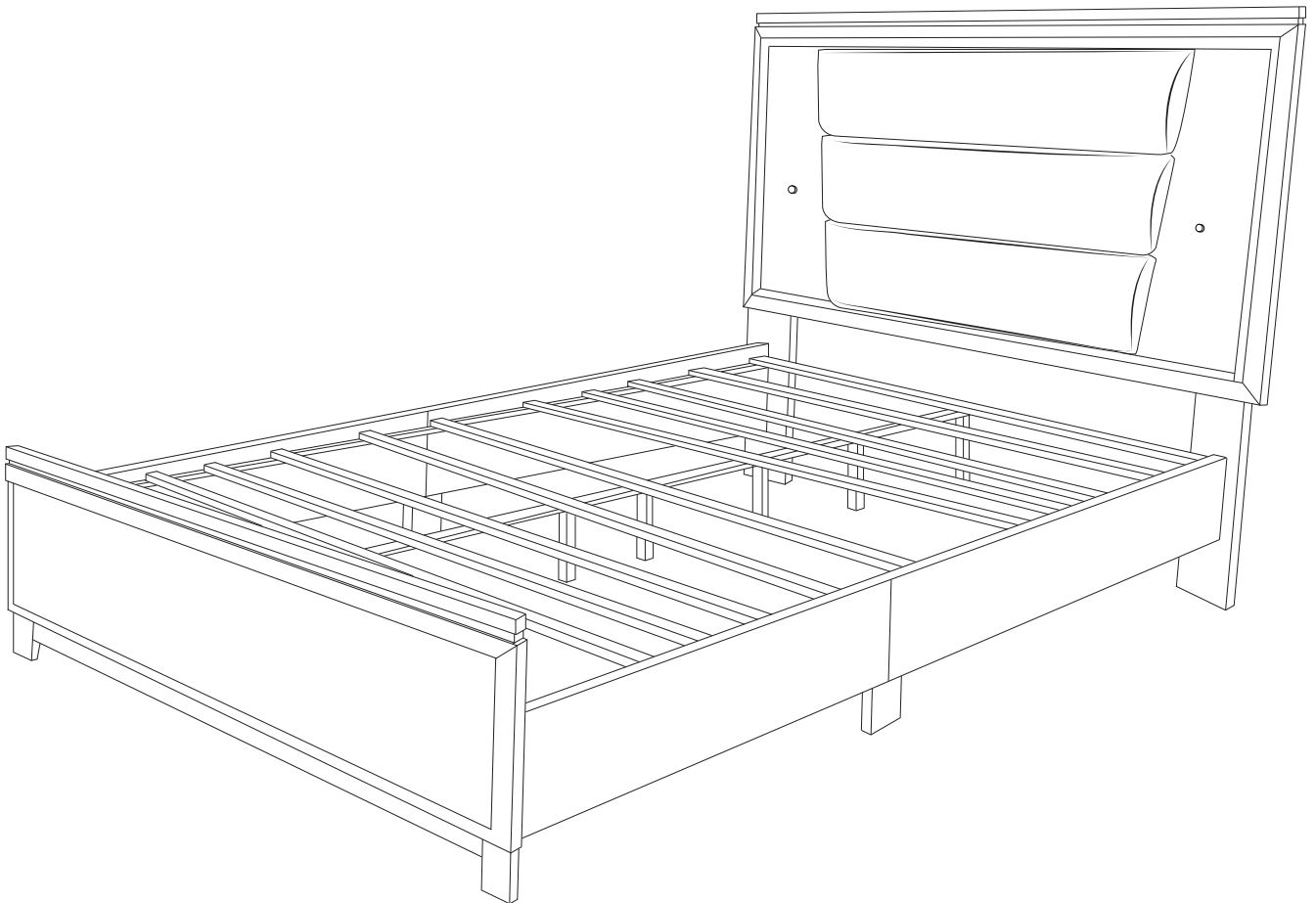


ASSEMBLY INSTRUCTION

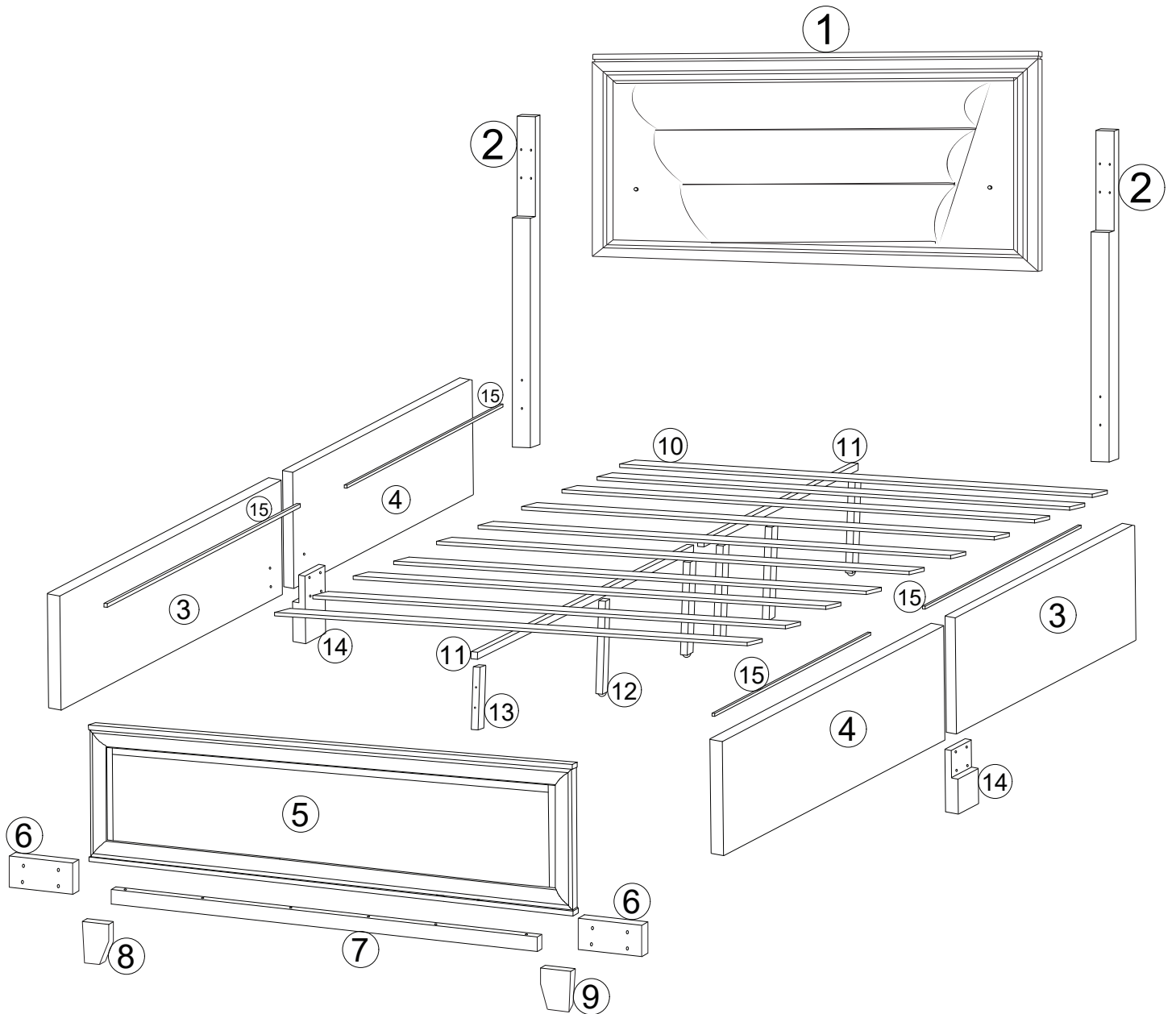
MODEL : QUEEN BED

WF 531199



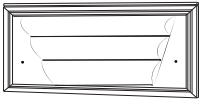
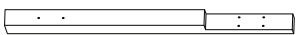



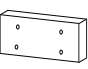

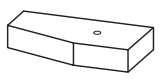
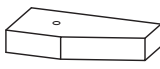




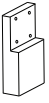
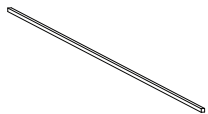
ASSEMBLY INSTRUCTION

MODEL : QUEEN BED



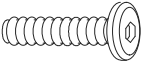
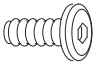
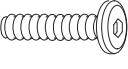






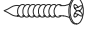
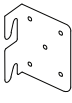
ASSEMBLY INSTRUCTION

PART LIST

<p>1</p>  <p>HEADBOARD</p> <p>x 1</p>	<p>2</p>  <p>HEADBOARD LEG</p> <p>x 2</p>	<p>3</p>  <p>SIDE RAIL - R</p> <p>x 2</p>	<p>4</p>  <p>SIDE RAIL - L</p> <p>x 2</p>
<p>5</p>  <p>FOOTBOARD</p> <p>x 1</p>	<p>6</p>  <p>BLOCK</p> <p>x 2</p>	<p>7</p>  <p>FOOTBOARD APRON</p> <p>x 1</p>	<p>8</p>  <p>SIDE LEG - L</p> <p>x 1</p>
<p>9</p>  <p>SIDE LEG - R</p> <p>x 1</p>	<p>10</p>  <p>BED SLATS</p> <p>x 10</p>	<p>11</p>  <p>CENTER RAIL</p> <p>x 2</p>	<p>12</p>  <p>SUPPORT LEG (L)</p> <p>x 5</p>
<p>13</p>  <p>SUPPORT LEG (S)</p> <p>x 1</p>	<p>14</p>  <p>CENTER RAIL LEG</p> <p>x 2</p>	<p>15</p>  <p>SIDE RAIL SUPPORT</p> <p>x 4</p>	

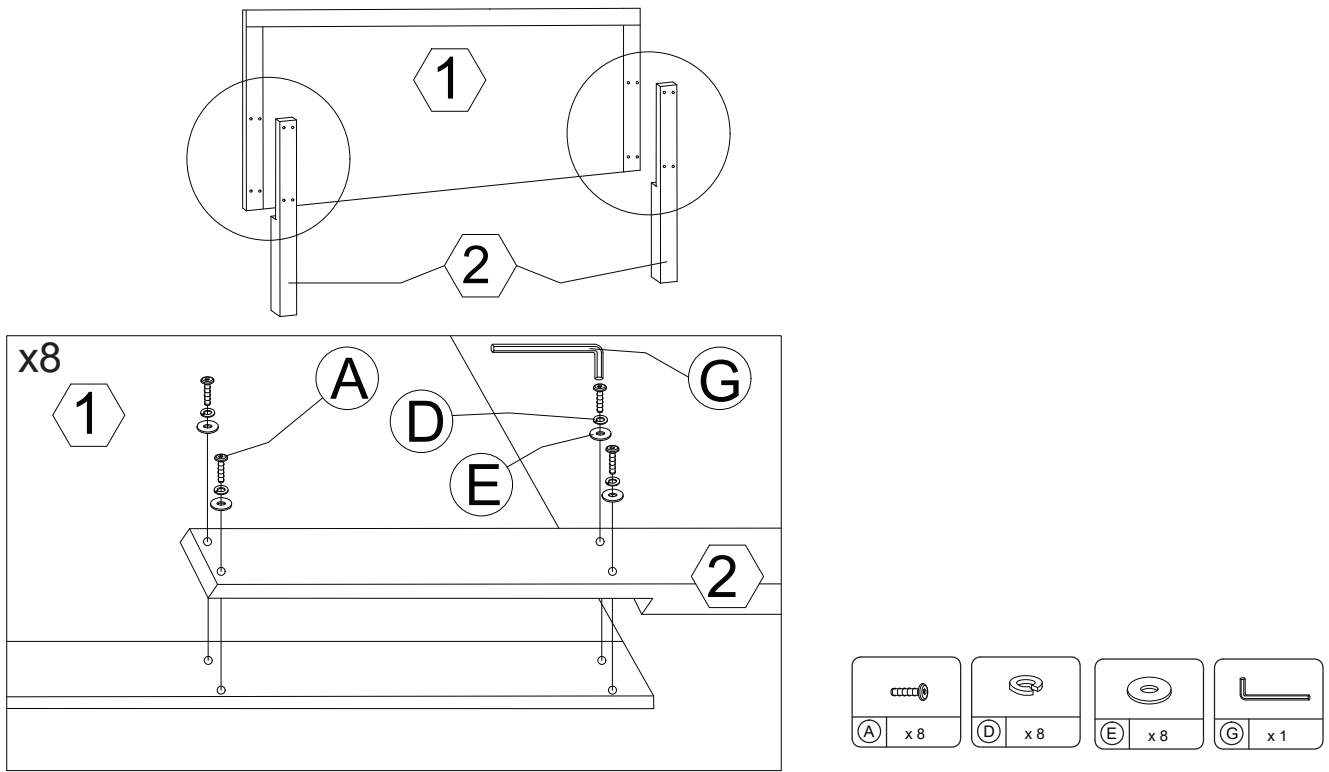
ASSEMBLY INSTRUCTION

HARDWARE LIST

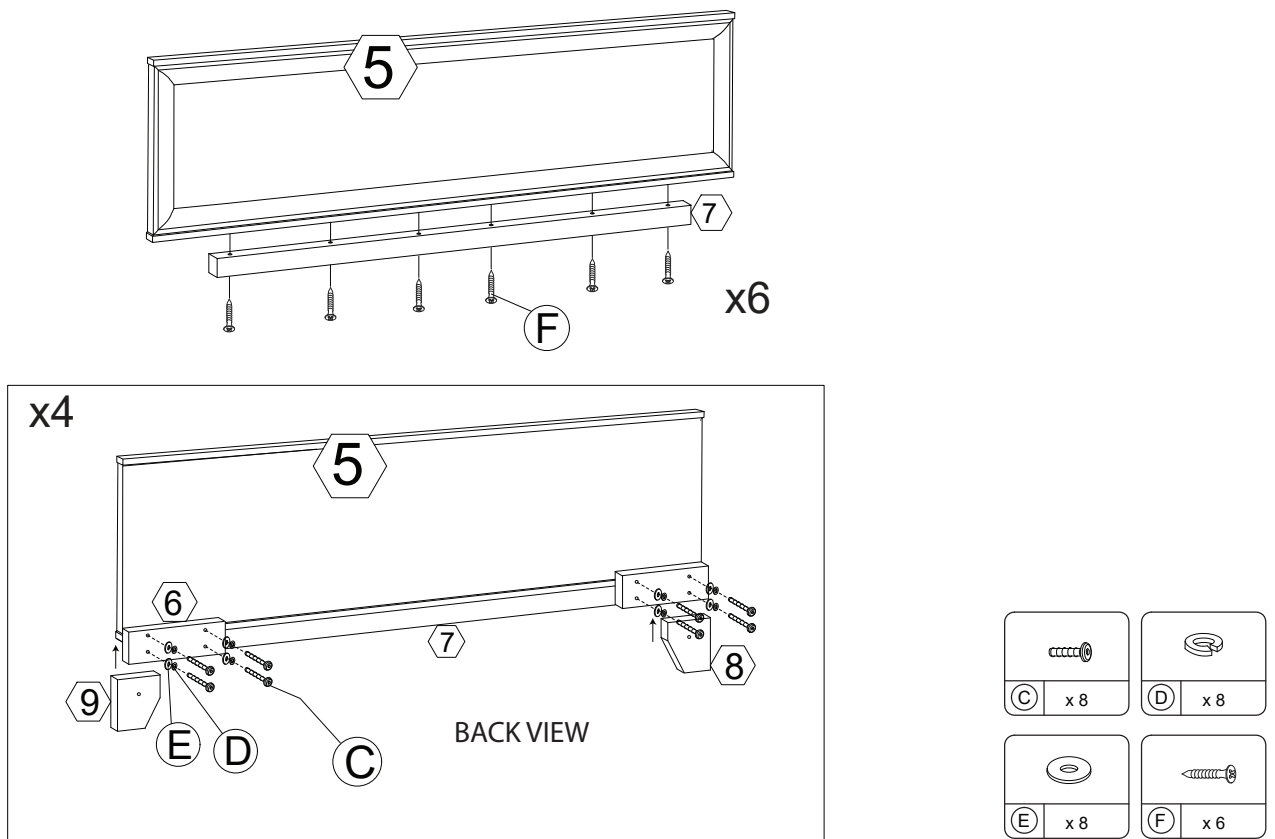
<p>(A)</p>  <p>M6 x 35mm JCBC SCREW</p> <p>x 14</p>	<p>(B)</p>  <p>M8 x 20mm JCBB SCREW</p> <p>x 8</p>	<p>(C)</p>  <p>M6 x 30mm JCBC SCREW</p> <p>x 16</p>	<p>(D)</p>  <p>SPRING WASHER</p> <p>x 24</p>
<p>(E)</p>  <p>FLAT WASHER</p> <p>x 24</p>	<p>(F)</p>  <p>M4 x 32mm CSK SCREW</p> <p>x62</p>	<p>(G)</p>  <p>M4 ALLEN KEY</p> <p>x 1</p>	<p>(H)</p>  <p>M5 ALLEN KEY</p> <p>x 1</p>
<p>(I)</p>  <p>POWER ADAPTOR</p> <p>x 1</p>	<p>(J)</p>  <p>M4 x 16mm CSK SCREW</p> <p>x 20</p>	<p>(K)</p>  <p>L BRACKET</p> <p>x 4</p>	

ASSEMBLY INSTRUCTION

STEP 1

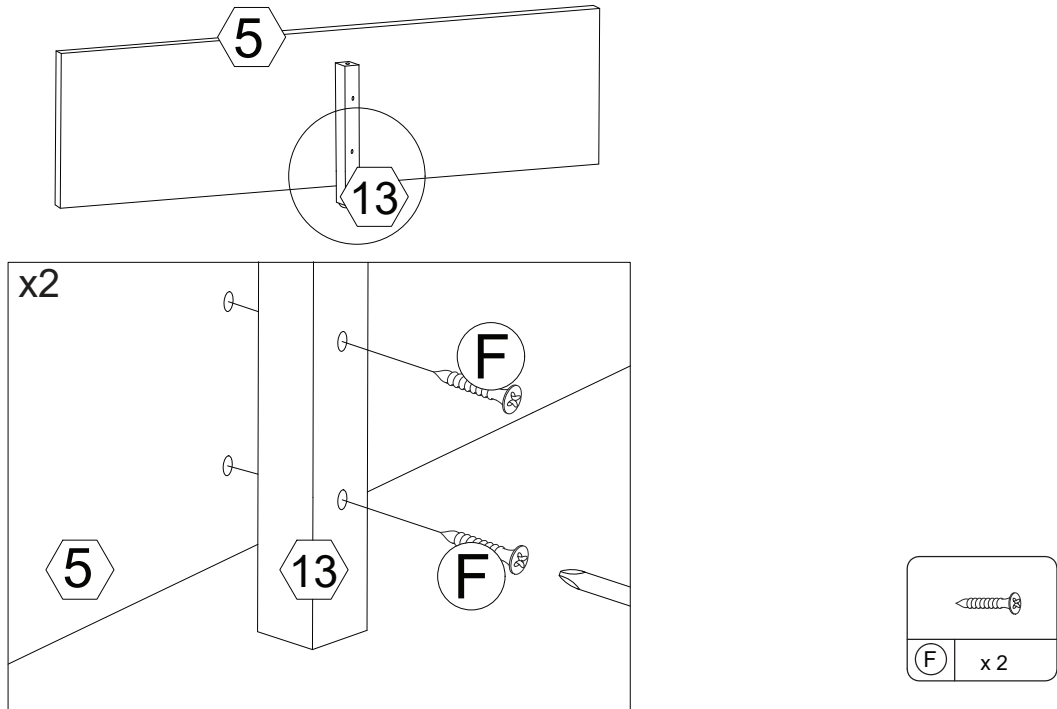


STEP 2

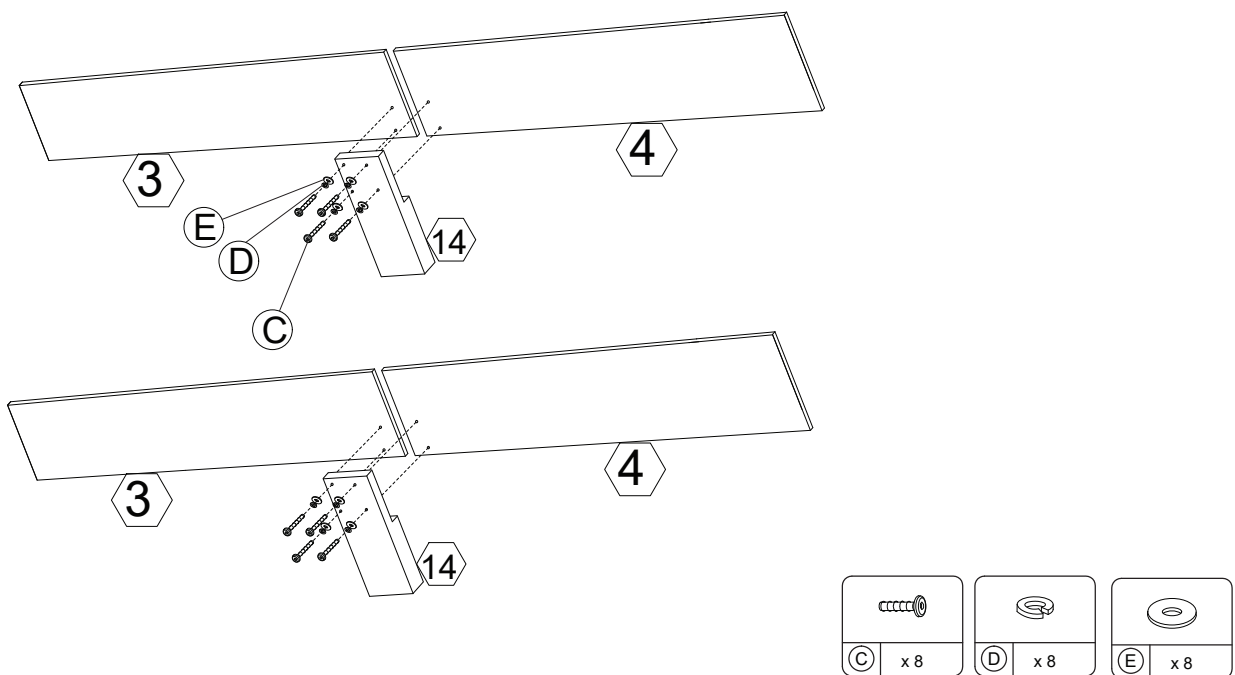


ASSEMBLY INSTRUCTION

STEP 3

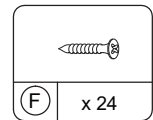
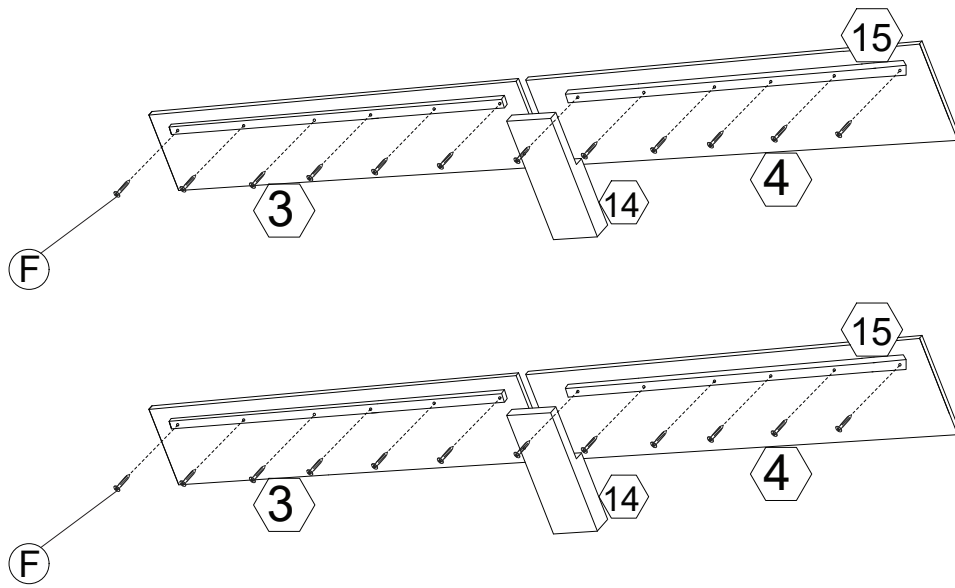


STEP 4

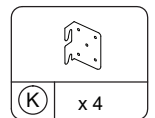
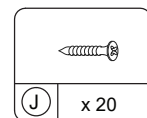
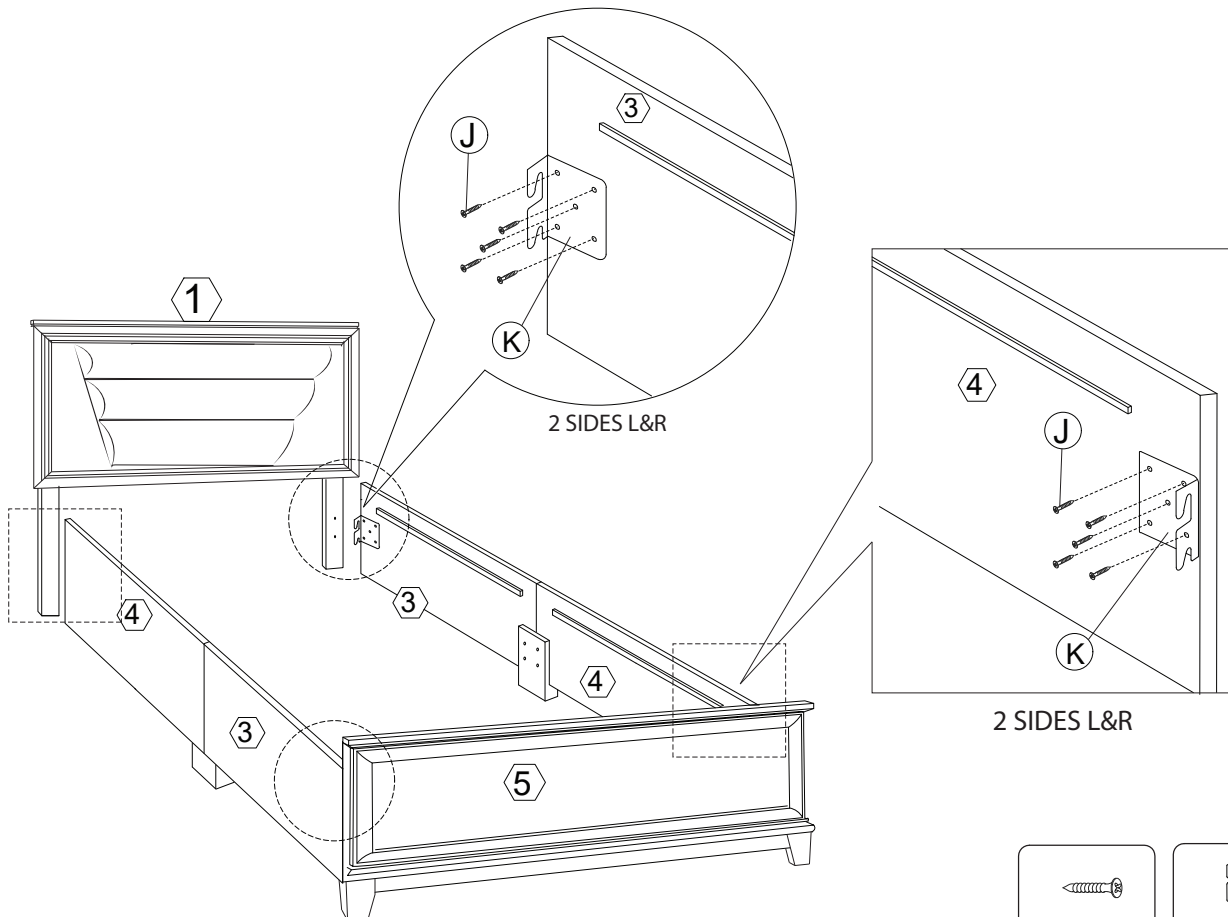


ASSEMBLY INSTRUCTION

STEP 5

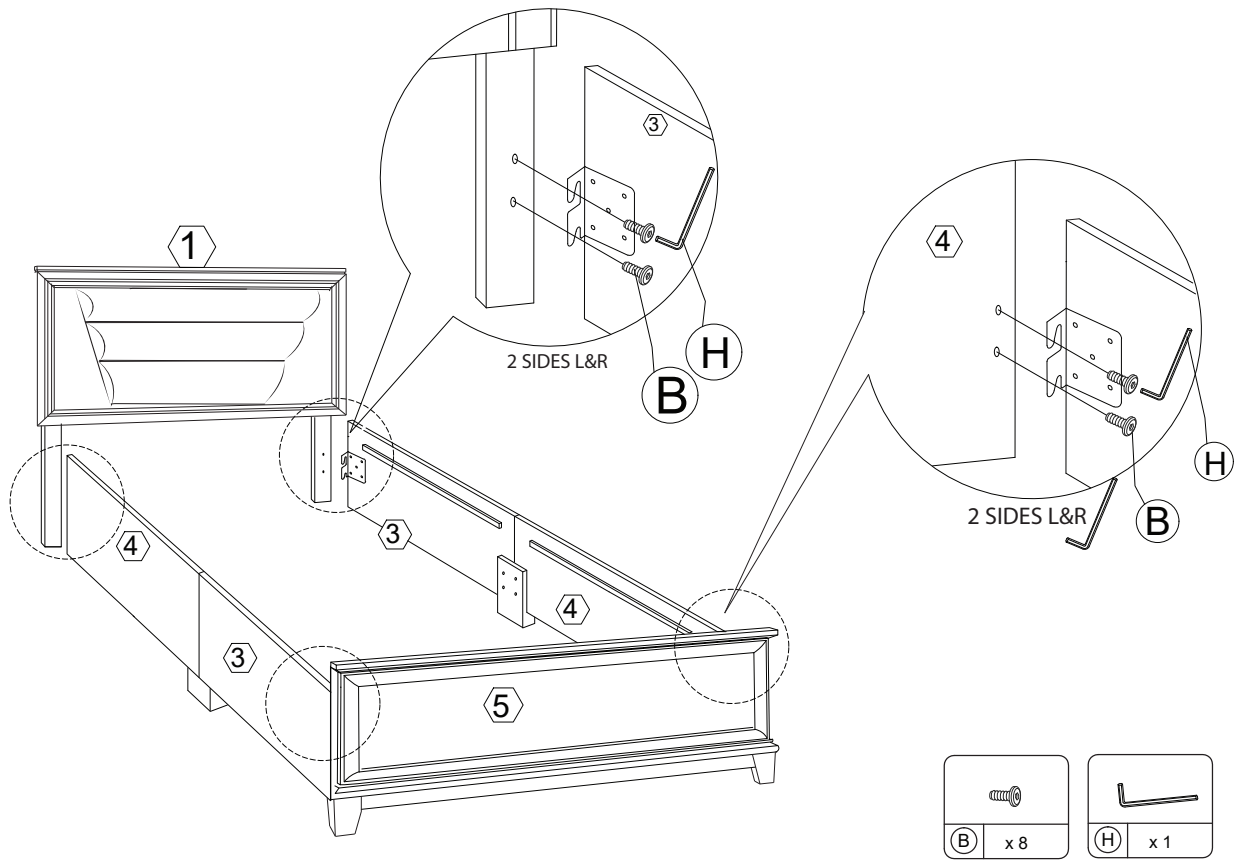


STEP 6

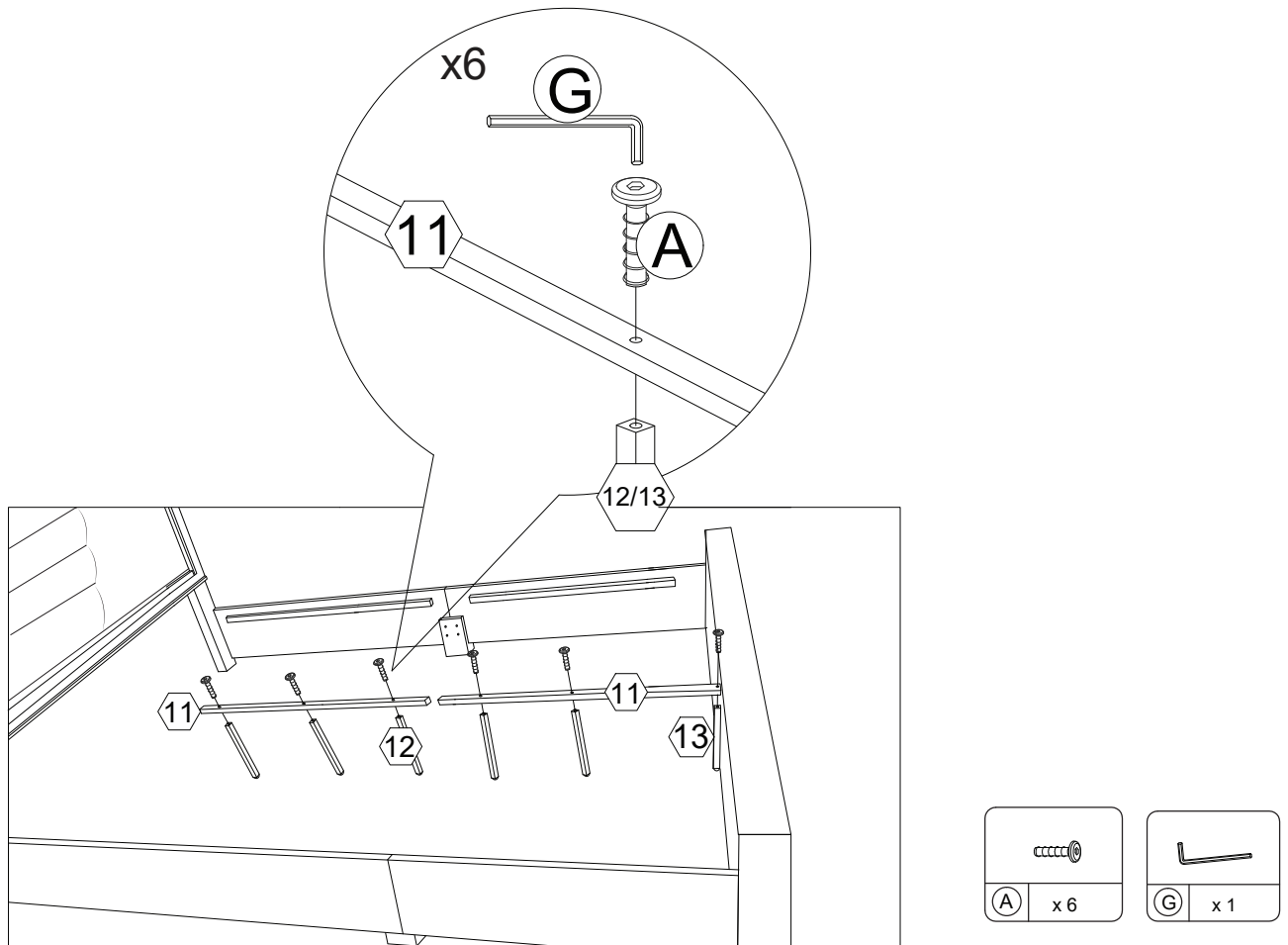


ASSEMBLY INSTRUCTION

STEP 7

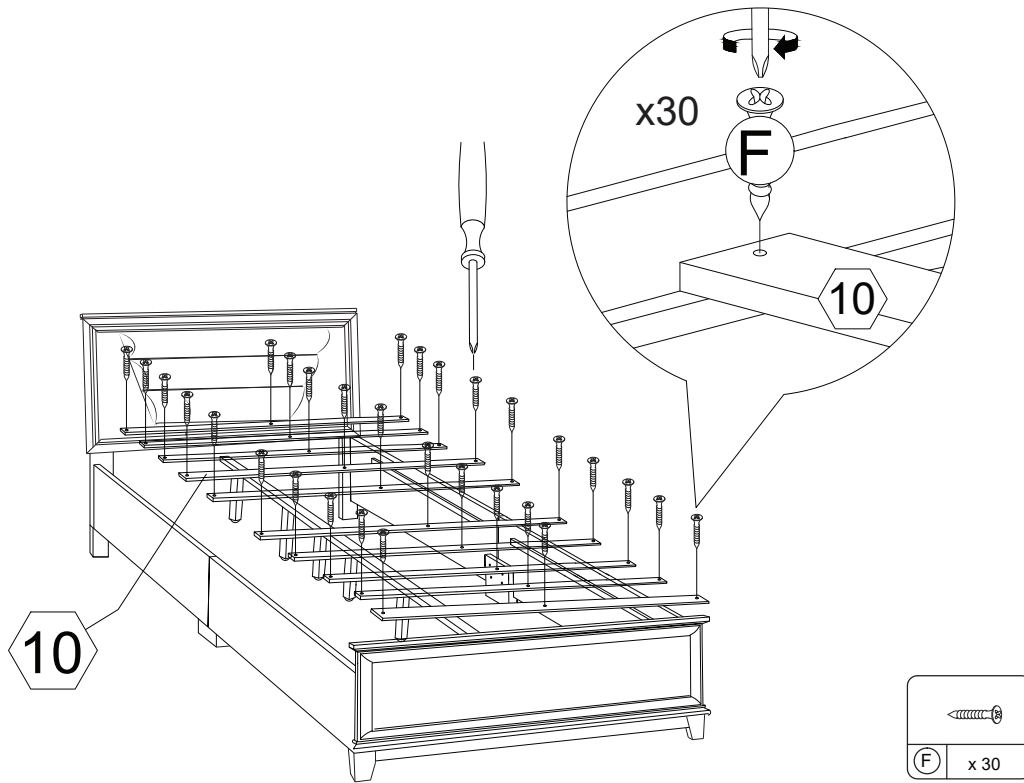


STEP 8



ASSEMBLY INSTRUCTION

STEP 9



STEP 10

LIGHTING

- 3 STEP TOUCH SENSOR**
- 1st CLICK- on the lighting
 - 2nd CLICK - medium brightness
 - 3rd CLICK - max brightness
 - 4th CLICK - lighting off

