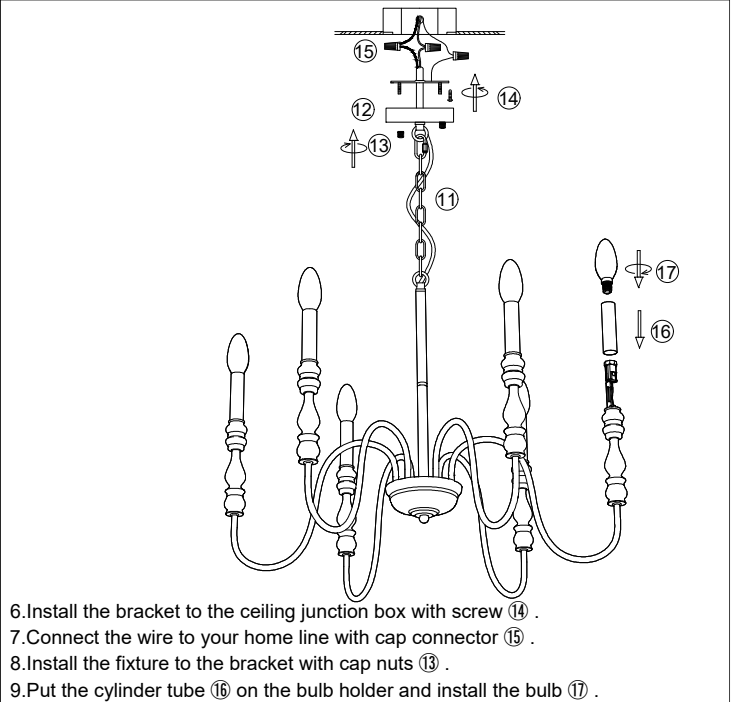
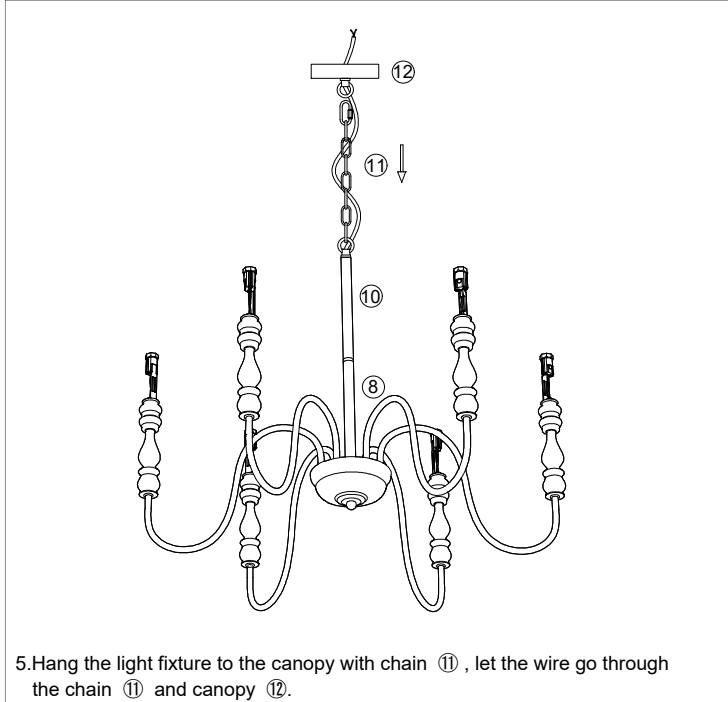
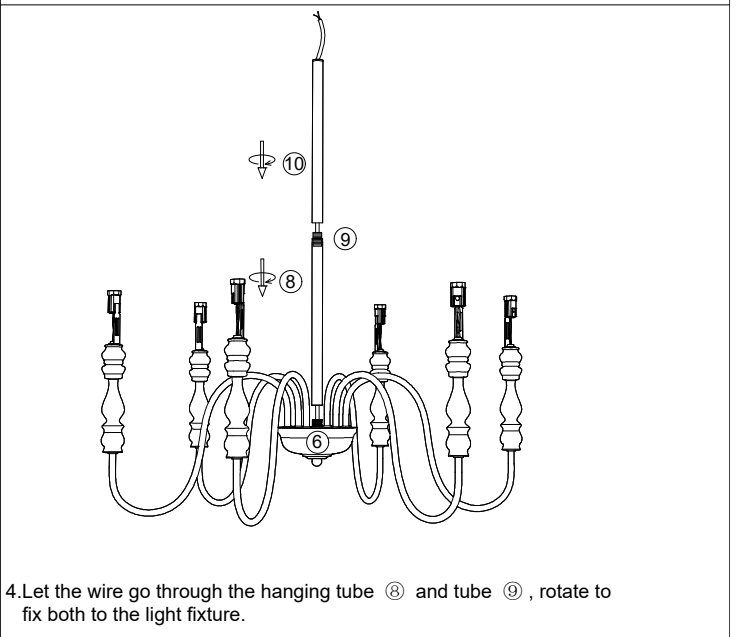
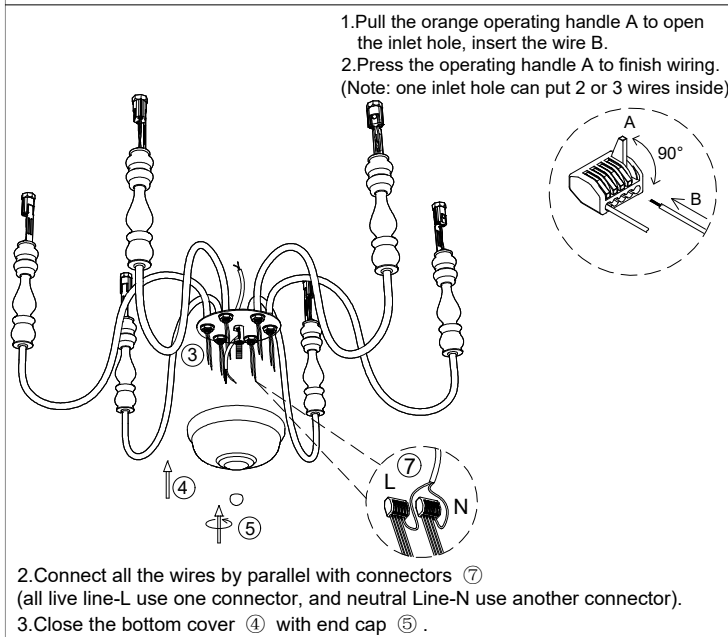
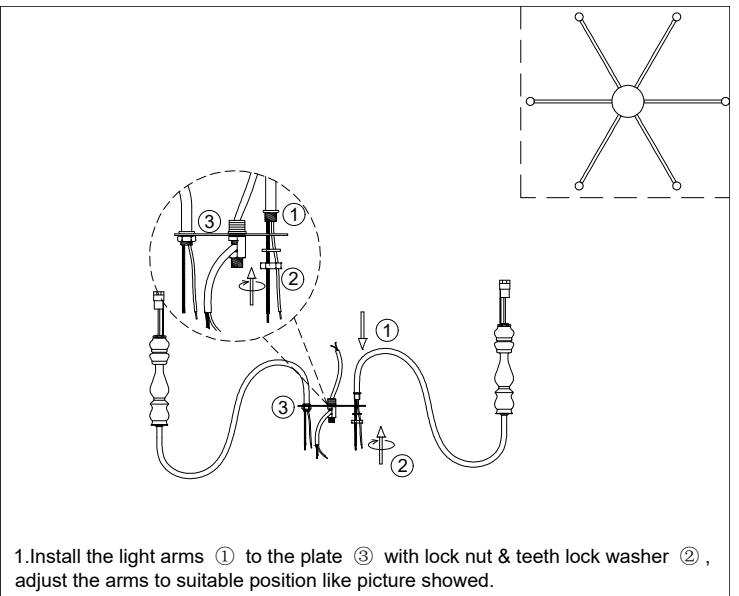
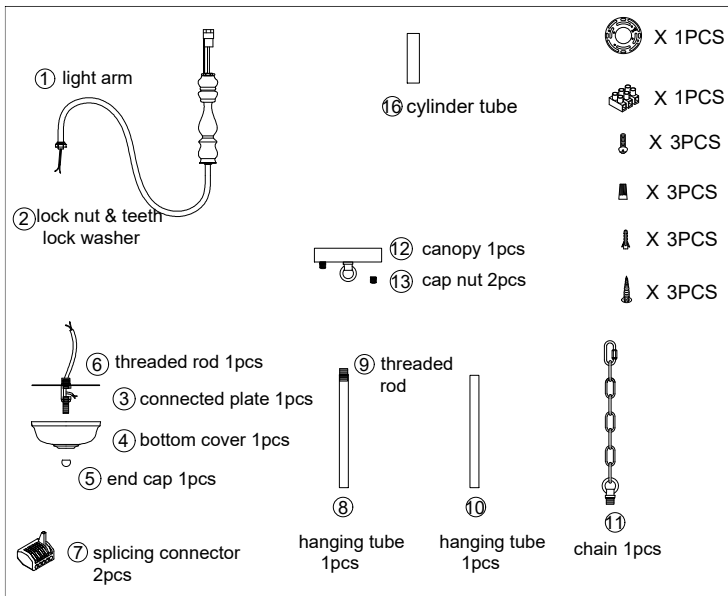


Installation & Assembly



Please read carefully before installation!!!

Note: Please make sure that the electricity is powered off during installation ! Only a professional electrician should install this kind of product !