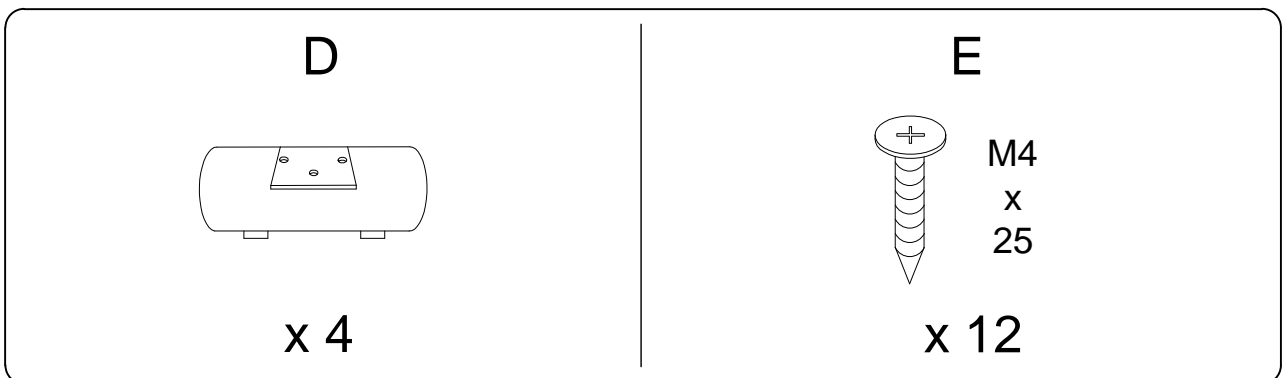
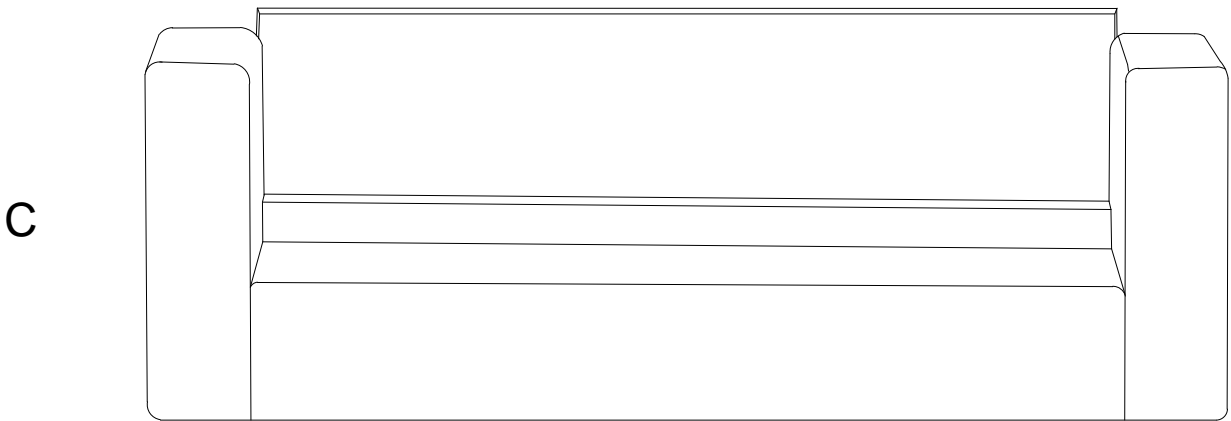
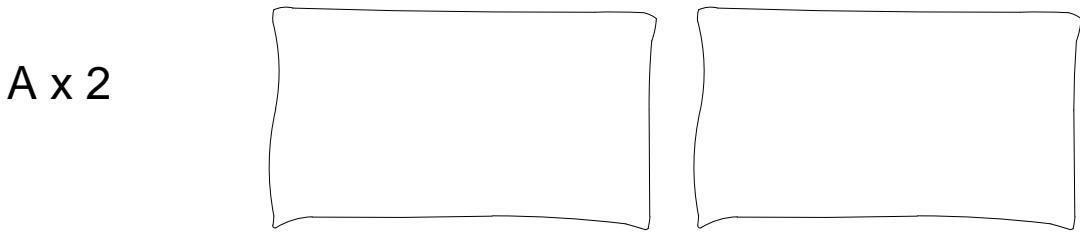
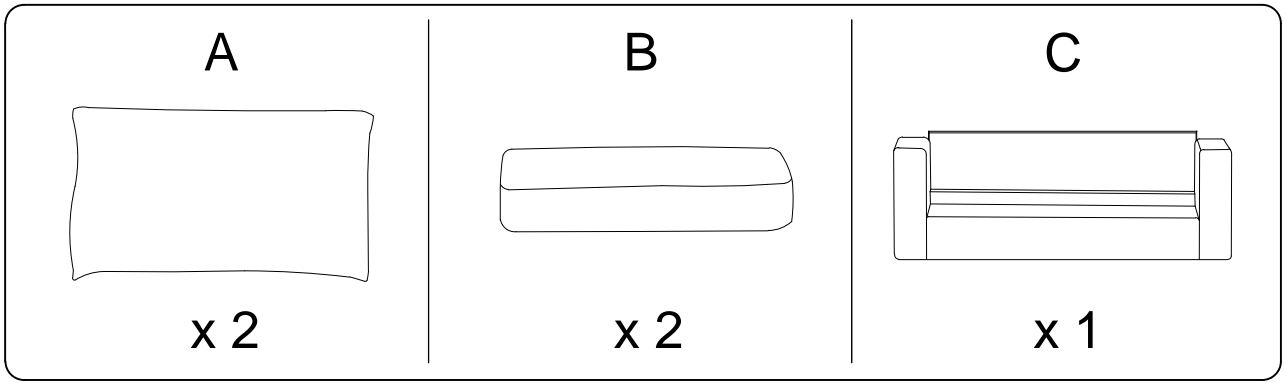


Assembly instructions for the top section of the sofa:

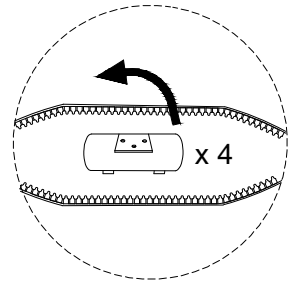
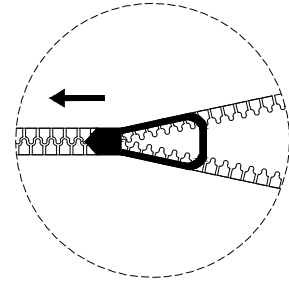
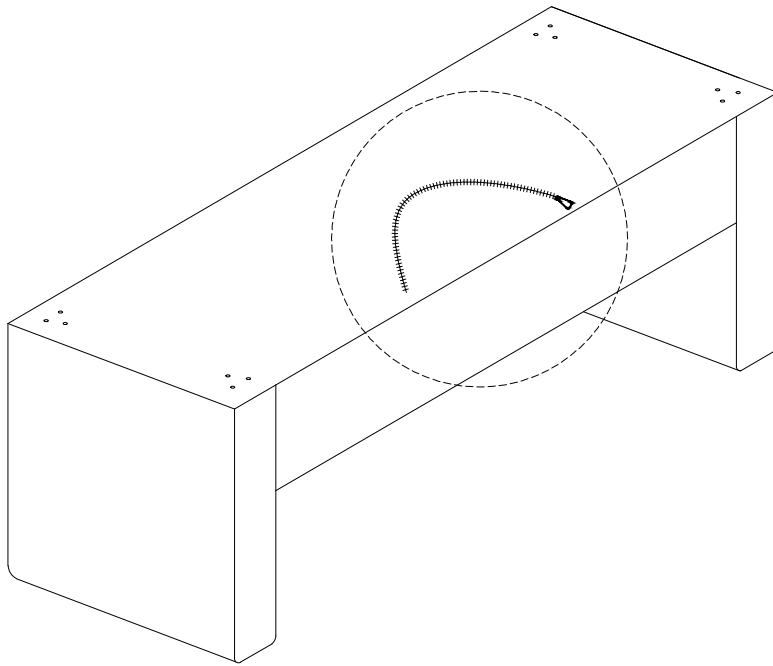
- Tools: A screwdriver (shown in a circle) and a power drill (shown with a diagonal line through it, indicating it is not to be used).
- Warning: A triangle with an exclamation mark.
- Time: A clock icon with the text "15'" below it, indicating a 15-minute assembly time.

Assembly instructions for the bottom section of the sofa:

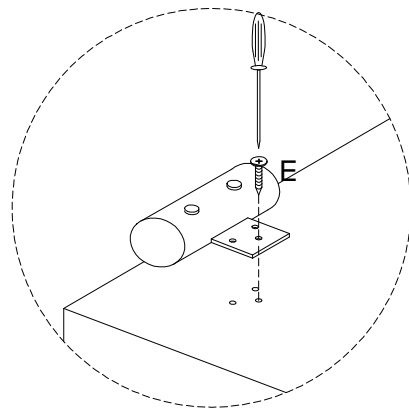
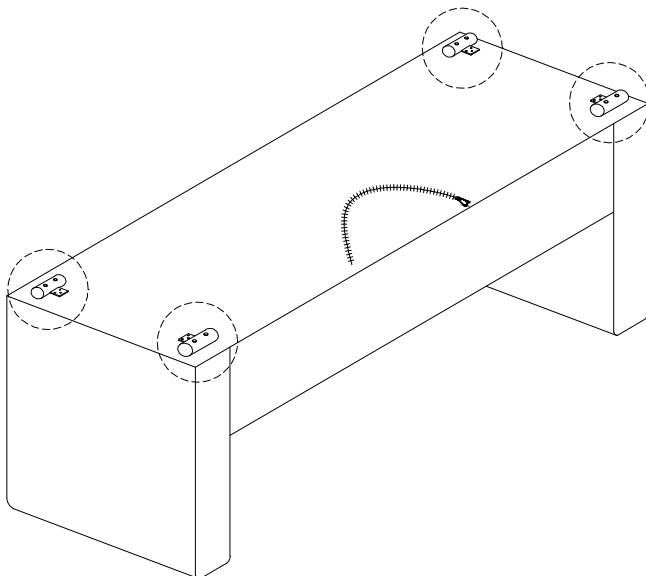
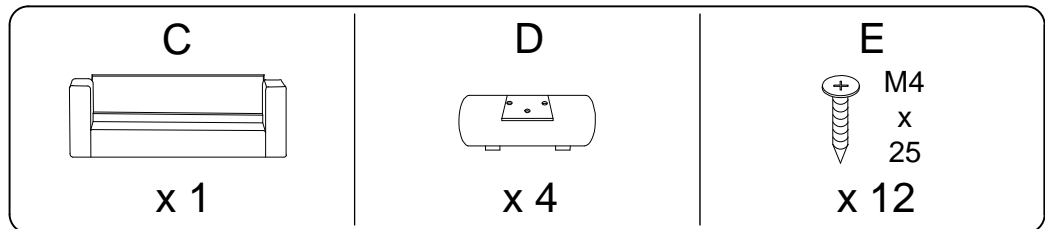
- Tools: A block of foam or padding (shown in a circle) and a pair of scissors (shown with a diagonal line through it, indicating they are not to be used).
- Warning: A triangle with an exclamation mark.
- Personnel: A stick figure icon with the number "1" below it, indicating that one person is required for assembly.



1



2



3

