



# BED WITH MATCHING FOOTBOARD

## ASSEMBLY INSTRUCTIONS

Before assembling your headboard, please read through these instructions carefully and familiarize yourself with the different parts.

### PARTS LIST

- ① HEADBOARD PANEL 1 PC
- ② LEFT LEG 1 PC
- ③ RIGHT LEG 1 PC
- ④ SPACER BLOCK 2 PCS
- ⑤ PACKING STICK 2 PCS

Instructions apply for bed sizes  
TWIN > FULL

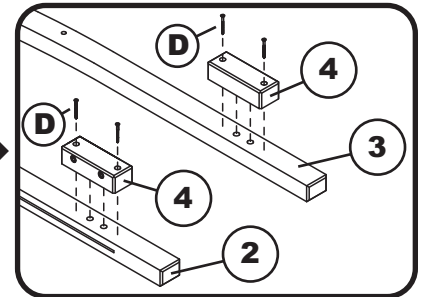
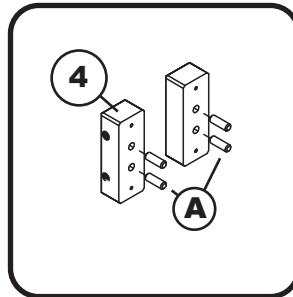
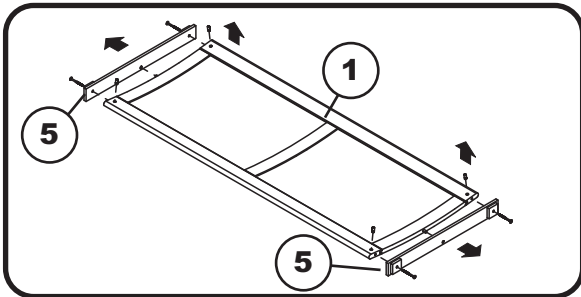
### HARDWARE

- |  |  |                                      |                                       |  |                                       |  |
|--|--|--------------------------------------|---------------------------------------|--|---------------------------------------|--|
| ① Wooden dowel - 4 pcs<br>Spare - 1 pc | ② JCB M6 X 70mm (2 3/4") - 4 pcs<br>Spare - 1 pc | ③ Barrel nut - 4 pcs<br>Spare - 1 pc | ④ Wood screw - 4 pcs<br>Spare - 1 pc  | ⑤ JCB M6 X 25mm (1") - 4 pcs<br>Spare - 1 pc | ⑥ Flat washer - 4 pcs<br>Spare - 1 pc | ⑦ Split washer - 4 pcs<br>Spare - 1 pc |
|  |  |                                      | ⑧ Allen wrench - 1 pc<br>Spare - 1 pc | HARDWARE FOR METAL BED FRAME                 |                                       |  |

NOTE: WE INCLUDE SPARE HARDWARE IN CASE DAMAGE OCCURS DURING ASSEMBLY.

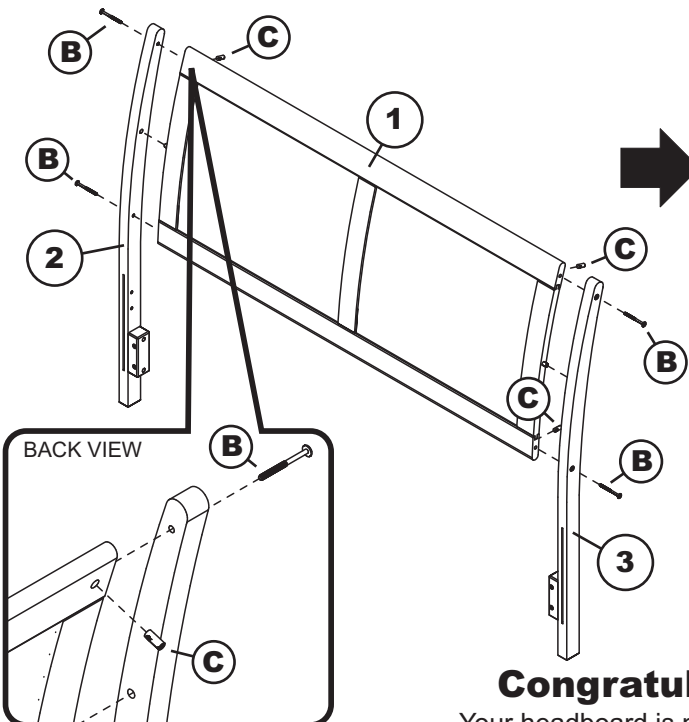
### Step 1

Remove packing stick (5) from headboard panel (1) and **DISCARD**. Insert wooden dowels (A) to the locator holes on spacer block (4). Attach the spacer blocks (4) to the legs (2) and (3), using wood screws (D), as shown below. Tighten with Phillips screwdriver. (customer supplied)



### Step 2

Attach the legs (2) and (3) to the headboard panel (1), using JCB (B) and barrel nut (C). Tighten with the Allen wrench (H).



## Congratulations!

Your headboard is now assembled.

To ensure lasting safety, we recommend that you periodically check that all screws are tight and all parts are secure.

PO :



## BED WITH MATCHING FOOTBOARD

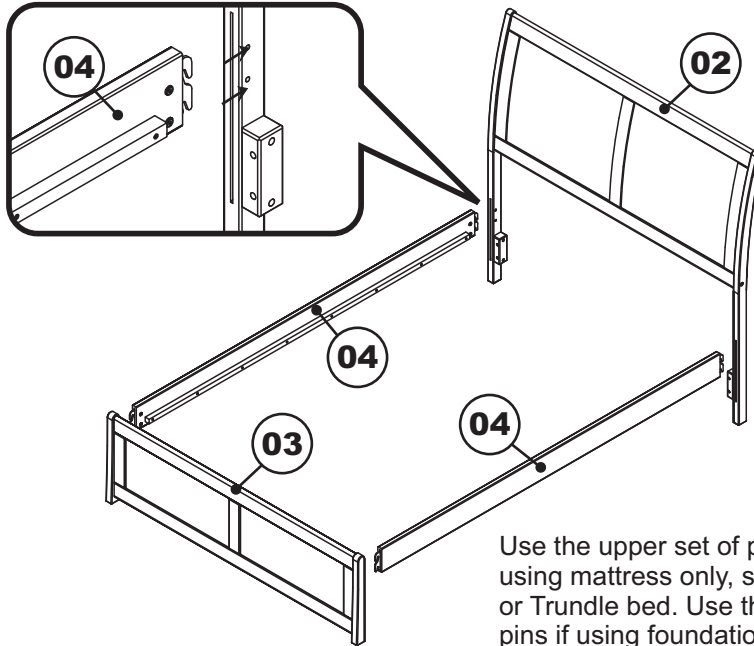
- 01 HARDWARE
  - 02 HEADBOARD
  - 03 FOOTBOARD
  - 04 SIDE RAILS
- BOX 1 (connected to 02, 03)  
BOX 2 (connected to 04)



Adult assembly

### Step 1

Attach the side rails (04) to the headboard (02) and footboard (03) using the bed hook as shown below.

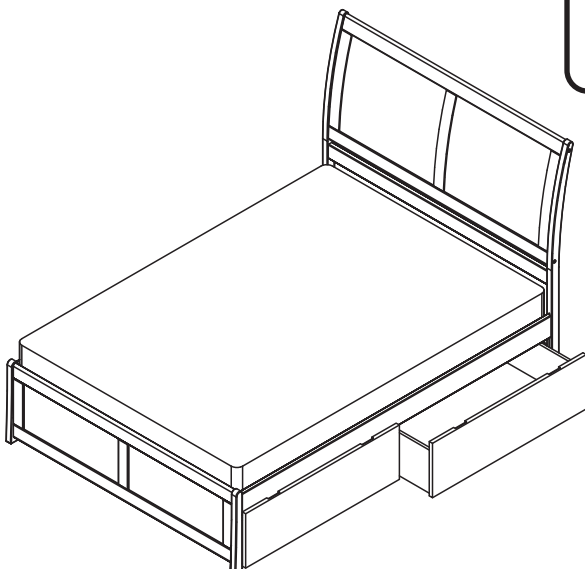


Use the upper set of pins when using mattress only, storage drawers or Trundle bed. Use the lower set of pins if using foundation and mattress.

### Step 2

Lastly, lay slat kit or foundation support board onto the bed. For assembly, follow the assembly instructions included with support system.

PLATFORM BED - TALL HEIGHT



Adult assembly

TRADITIONAL BED - LOW HEIGHT

