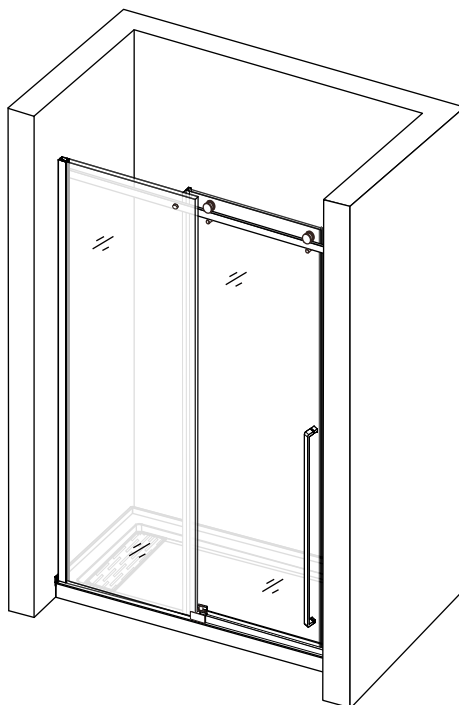


INSTALLATION MANUAL

- ⚠ Before starting the installation, please take a few minutes to **READ THIS MANUAL CAREFULLY**.
- ⚠ Please check the product **CAREFULLY** for any visible damage.

BORG

**SHOWER DOORS : MVNSD6052MB
MVNSD6052BG
MVNSD6052BN**



Important

To install your shower door unit, you must: (1) thoroughly read all instructions, warnings, cautions, and care and maintenance information; and (2) purchase the correct water supply components.

Inappropriate handling, incorrect installation of hardware and glass, or improper use of the product may result in breakage or personal injury, and may void the warranty.

Always wear safety equipment during installation, including goggles, work gloves, and closed-toed shoes.

Table of Contents

Important	2
Table of Contents	2
Warning	3
Care and Cleaning	3
Tools	4
Parts and Components	5
Parts List	6
Model Specific Preparation	7
Reversible	8
Left-hand Door Installation	9-28
Right-hand Door Installation	29-48
Troubleshooting	49

Warning

- ⚠ Tempered safety glass is designed to shatter into thousands of microscopic pieces when broken, significantly reducing the likelihood of severe bodily injury.
- ⚠ Prior to installation, inspect the glass and hardware thoroughly for any damage. Do not install glass that is broken. Do not install glass panels that have been dropped on, or bumped into any surface harder than itself.
- ⚠ Inappropriate handling may result in breakage. While incredibly resistant to direct impact, corners and edges are the most susceptible to damage and disintegration. These edges must be protected and handled with care, never coming into contact with materials harder than itself, including tile, stone, metal, or even other glass. Glass can be shattered by concentrated point of impact of contact with such material. Vibration and normal use may cause the discharge of tempered glass all at once or in stages, hours or even days later.
- ⚠ Failure may result from improper installation of hardware, roller, stoppers, or glass.
- ⚠ Never attempt to cut tempered glass.

NOTE:

- The difference in width between the top and bottom of the wall must not exceed 3/8".
- Cover tub or shower drain with rag or tape to avoid loss of small parts.
- Follow the silicone manufacturer's instructions for application and curing time.

Care and Cleaning

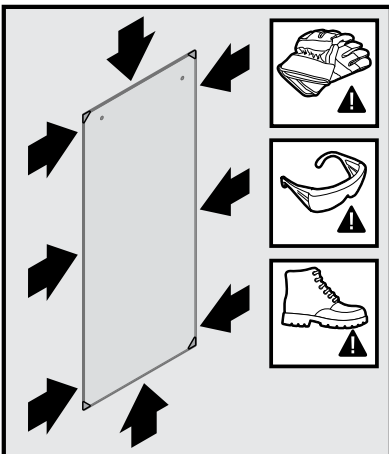
For regular cleaning use **ONLY** mild detergents or warm, soapy water. Use **ONLY** non-abrasive cloth or sponge. **ALWAYS** rinse surfaces after cleaning. Before cleaning this product with cleaning products, test a small, inconspicuous area.

CAUTION: Manufacturer does not recommend the use of cleaning products that contain any of the following chemicals. Use of products containing these chemicals can cause the products to discolor and will void the warranty.

- Naphtha
- Hydrogen Peroxide Solution (common household peroxide)
- Toluene
- Ethyl Acetate
- Lye (common in drain cleaner)
- Acetone

For optimal maintenance it is recommended that the glass panels be squeegeed on a regular basis after the shower is used.

For further inquiries, contact customer service at support@morvano.com. Professional installation service can be provided.



BEFORE BEGINNING YOUR INSTALLATION, fully inspect the edges and corners of your glass panels for any nicks, chips or scratches which might have occurred during the transportation of your glass panels. If you see any wear or damage to your glass panels contact support@morvano.com.

⚠ CAUTION

Installing glass panels with any nicks, chips or scratches may result in personal injury, property damage, or product failure.

Tools



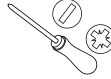
Level



Tape Measure



Pencil



Phillips Screwdriver



Silicone



Power Drill



**Drill Bit
Ø1/8"**



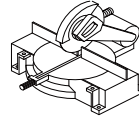
**Drill Bit
Ø1/4"**



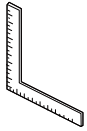
**Drill Bit
Ø5/16"**



Soft Head Hammer



Miter saw



Square



Safety Glasses



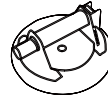
Work Gloves



Hacksaw



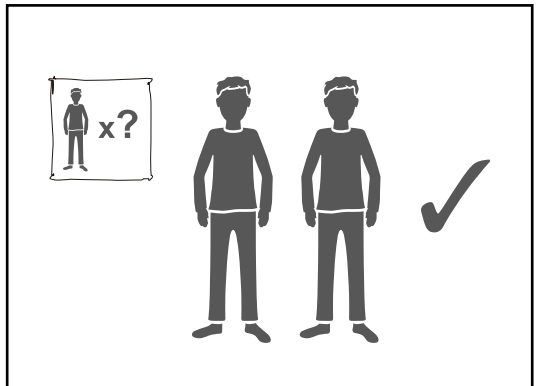
Razor Knife



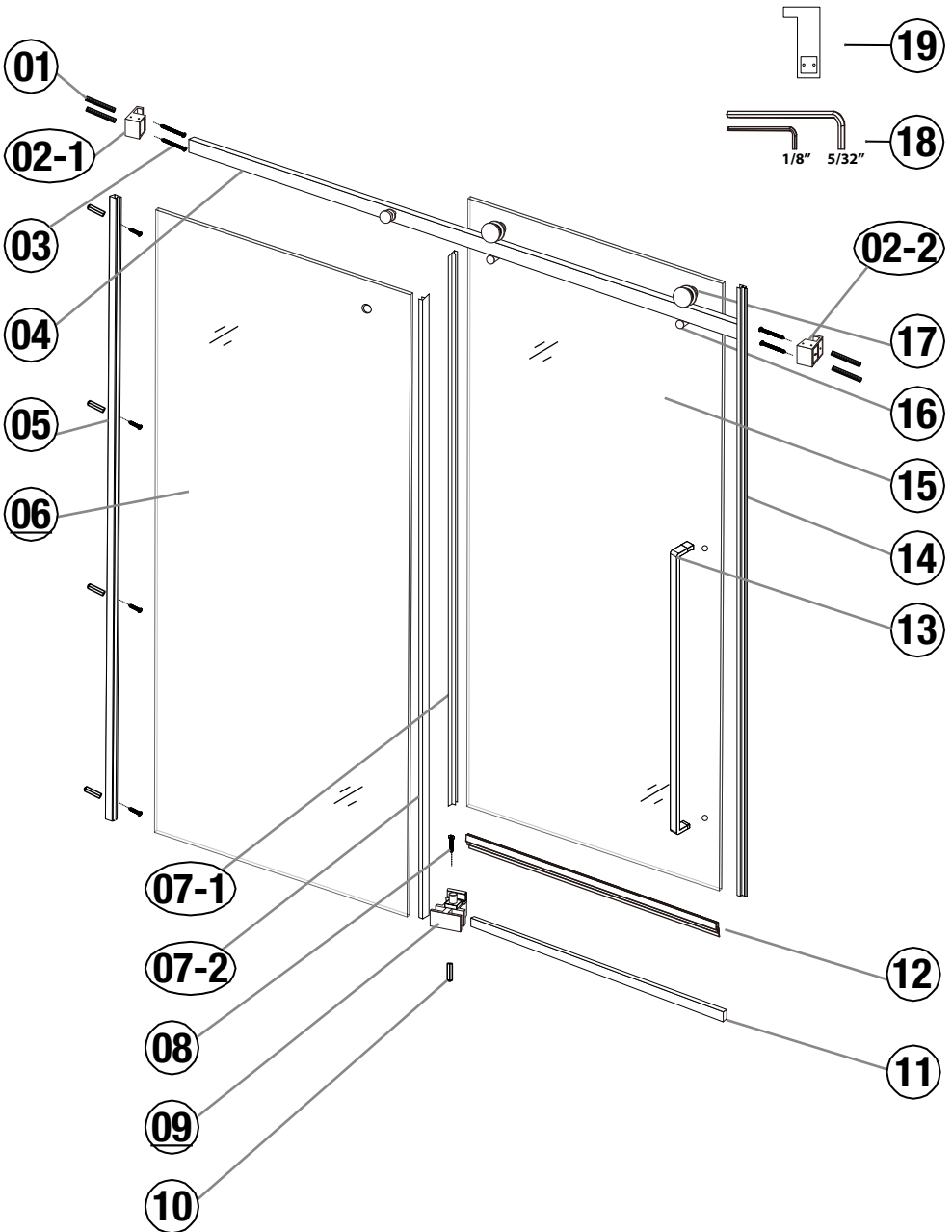
**Professional-grade
Glass suction cup**



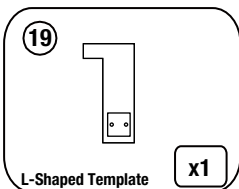
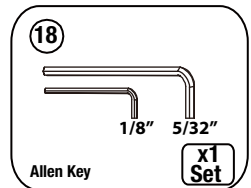
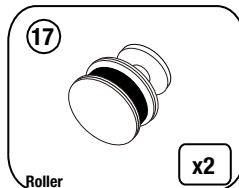
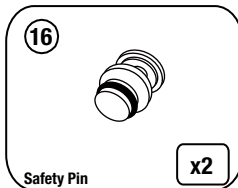
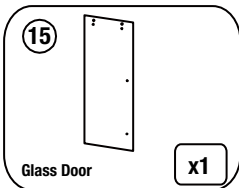
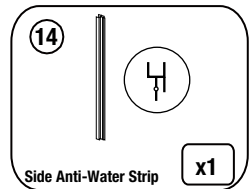
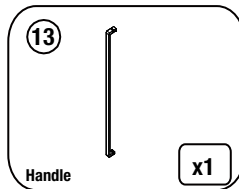
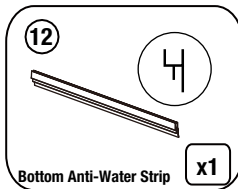
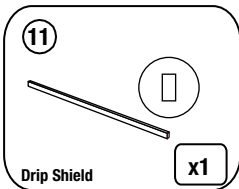
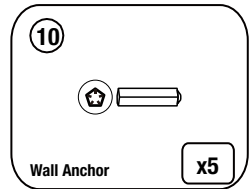
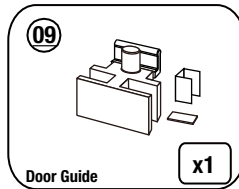
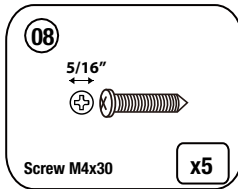
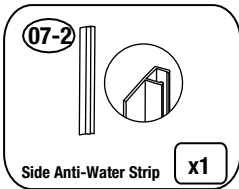
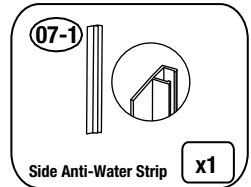
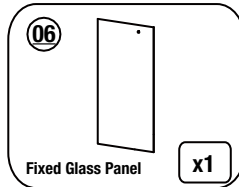
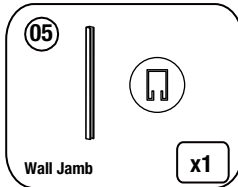
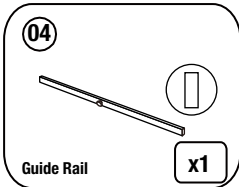
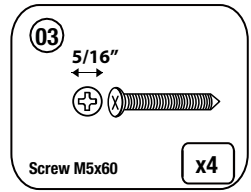
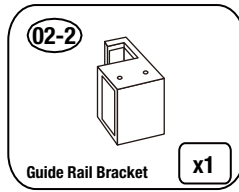
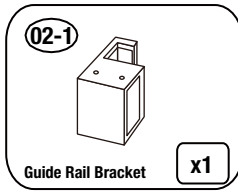
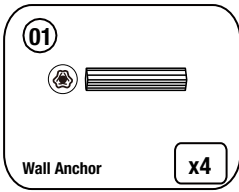
**Soft Cloth
or Blanket**



Parts and Components



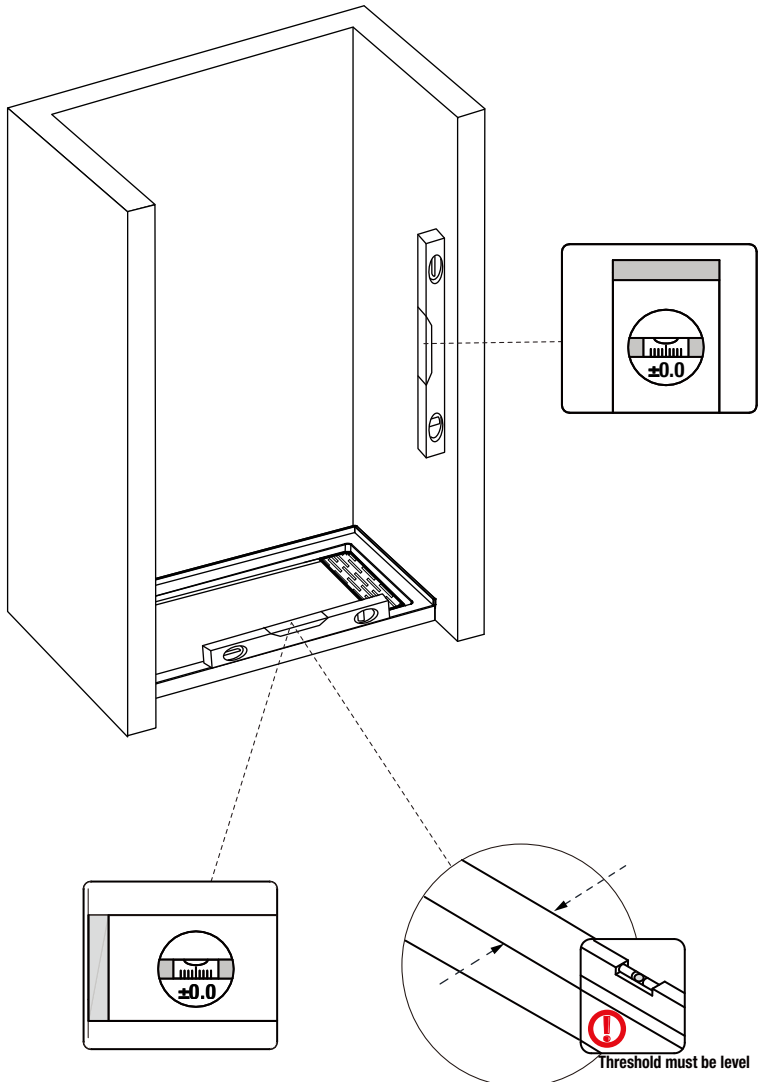
Parts List



Model Specific Preparation

Verify the threshold and walls with a level.

If the walls are uneven, this product can accommodate up to 3/8" on the door side for out-of-plumb installation.

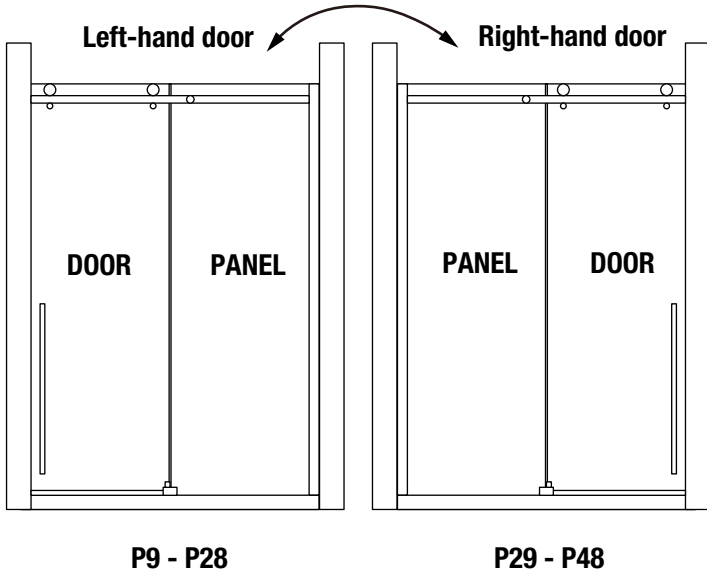


Reversible

NOTE

This model is reversible for right or left-hand door installation. For left-hand door installation, please refer to P9-P28, for right-hand door installation, please refer to P29-P48.

Shower Door



CAUTION!

TWO PERSON
LIFT REQUIRED

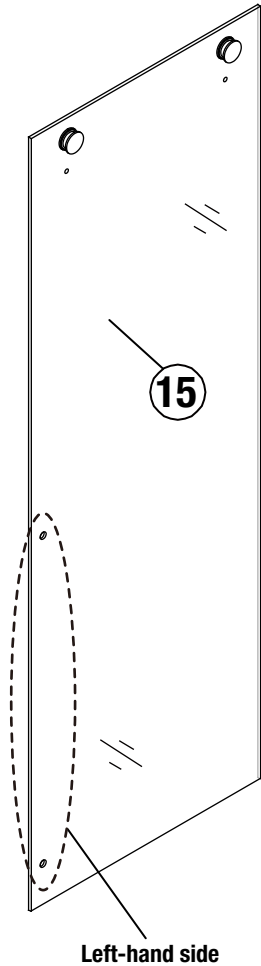
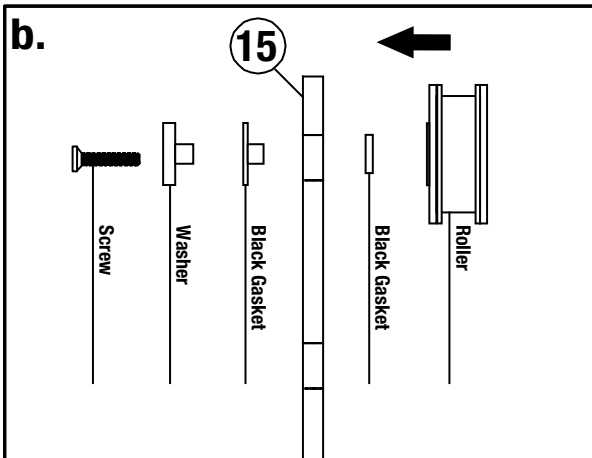
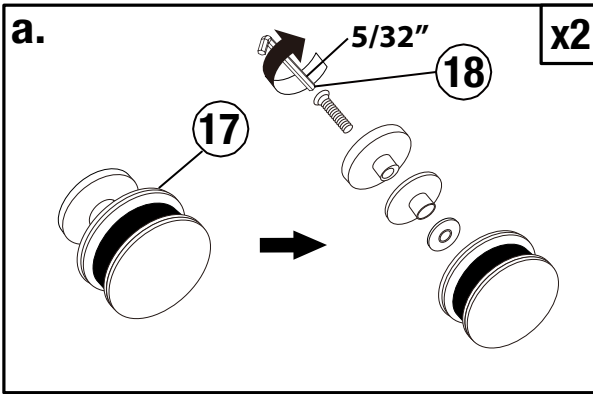


Roller (17) Installation

NOTE

Left-hand door installation shown. For right-hand door installation, please refer to P29-P48.

Unscrew the Rollers (17) and secure them on the top of the Glass Door (15), do not tighten them too firmly. Make sure the handle holes are positioned on the left side.

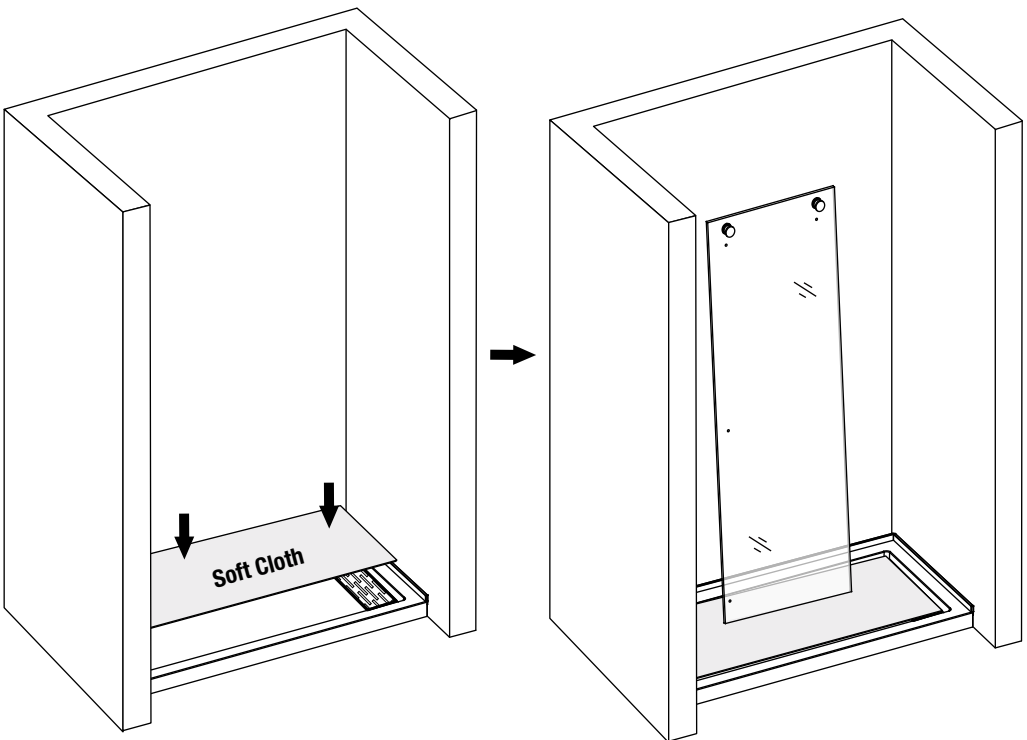


Glass Door (15) Installation

Cover the shower base with a soft cloth/blanket. Carefully handle the glass door (15) to avoid scratching the shower base.

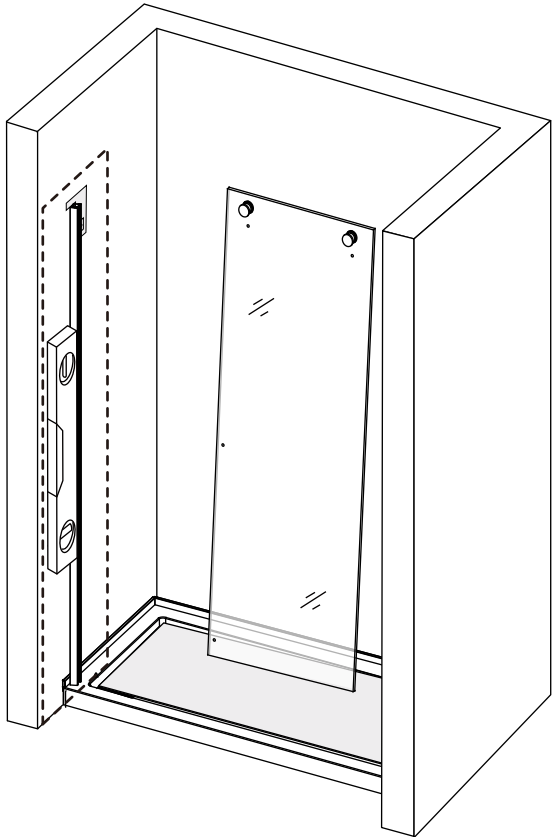
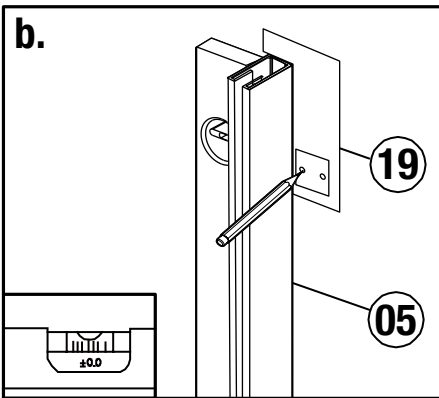
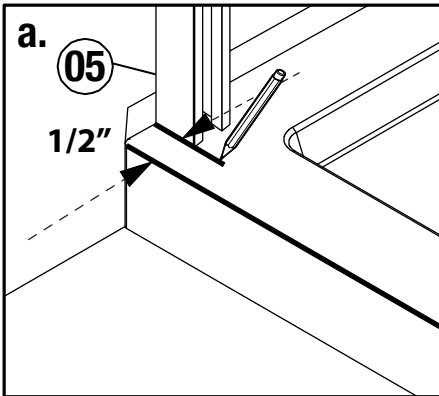


DO NOT attach the handle to the Door Glass until instructed.
DO NOT attempt to lift the Glass Door with the handle as this may result in damage to the glass and/or serious personal injury. Use a professional grade glass suction cup and an assistant.



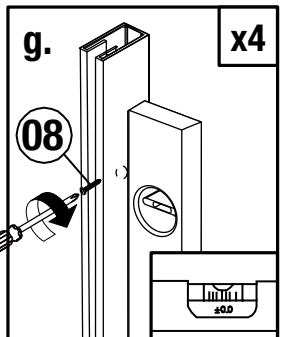
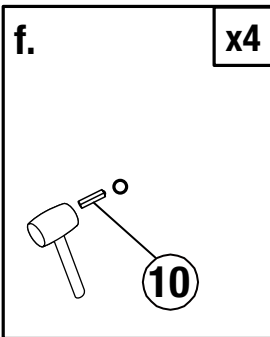
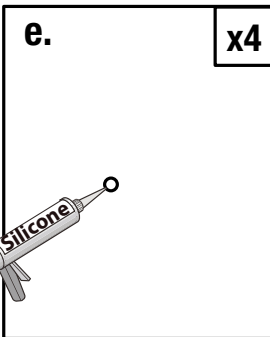
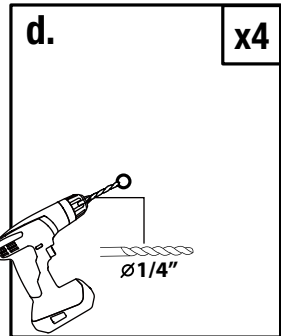
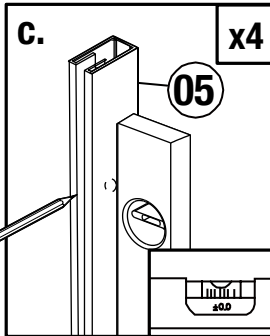
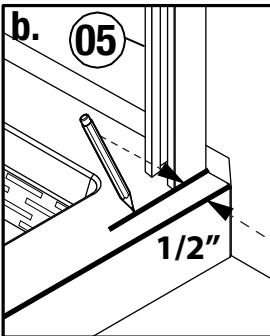
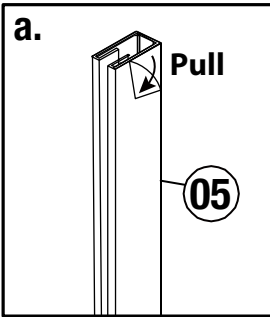
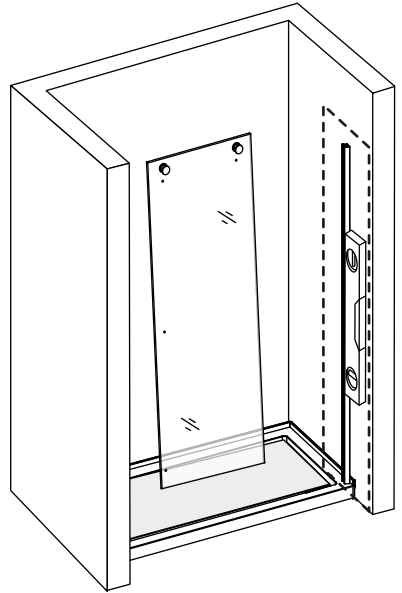
Guide Rail Bracket (02-1) Installation

Mark down the predrilled position of the Guide Rail Bracket (02-1) using the L-shaped Template (19) and Wall Jamb (05) on the left wall.



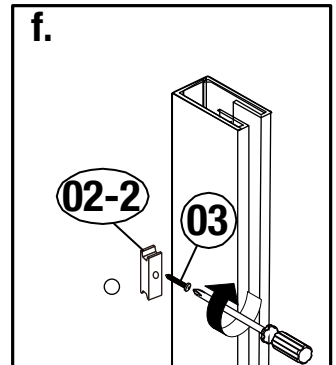
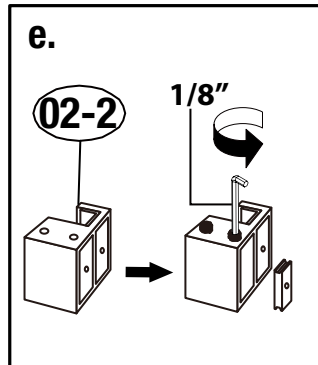
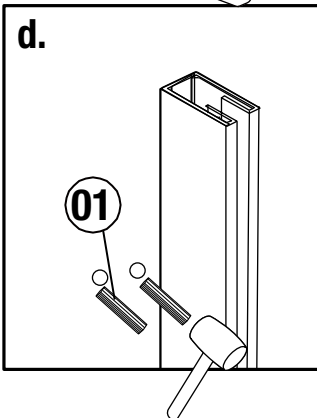
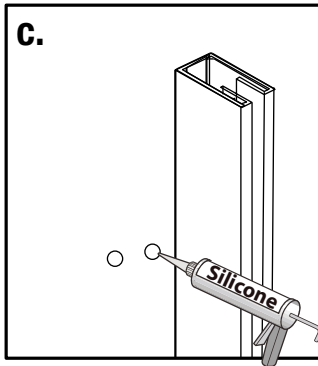
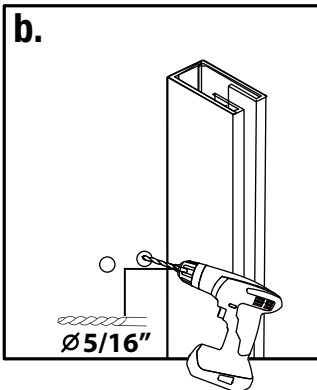
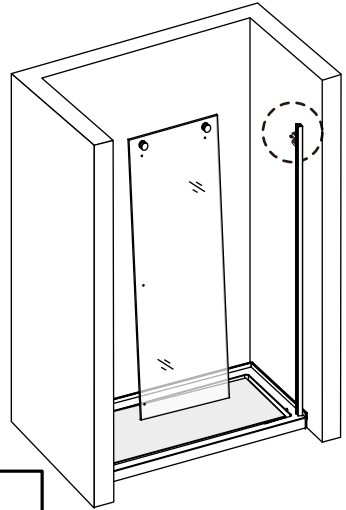
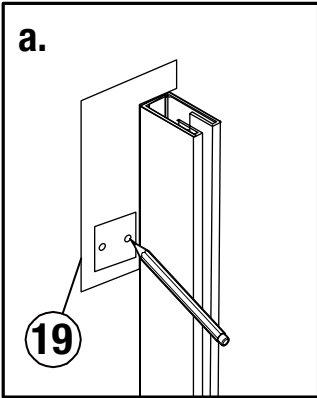
Wall Jamb (05) Installation

Place the Wall Jamb (05) on the right side, mark down the predrilled position of the Wall Jamb (05) (4 holes). Drill a 1/4" hole, add silicone, then insert the anchor. Secure the Wall Jamb with M4*30 Screws (08).



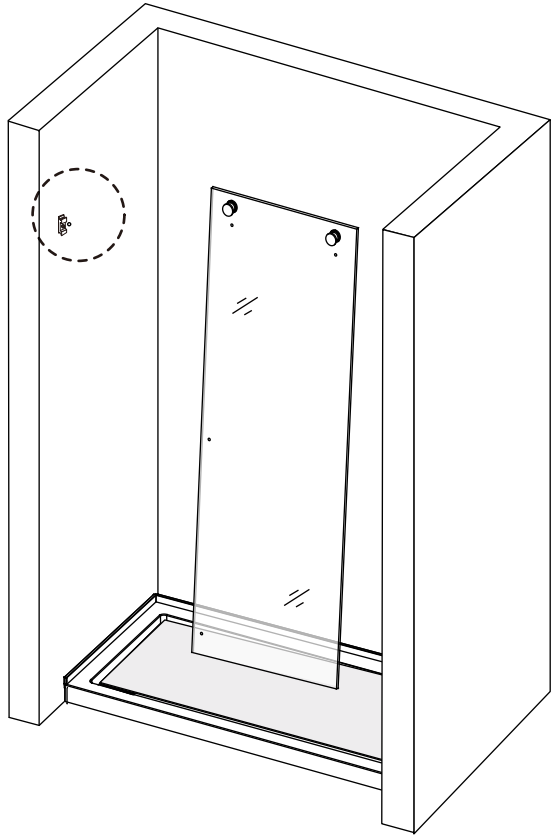
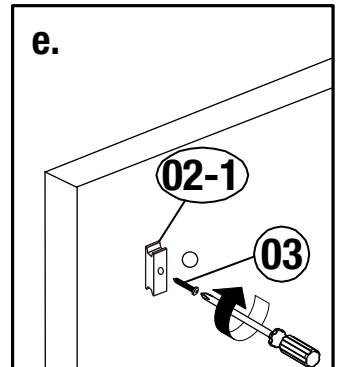
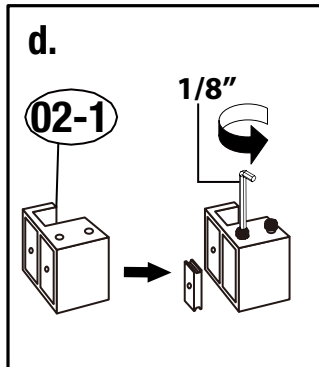
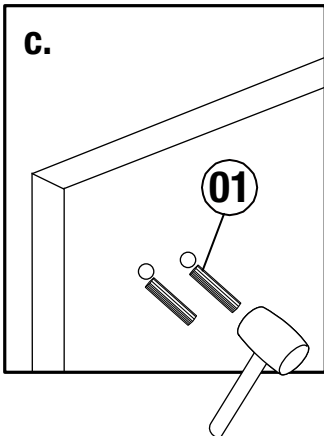
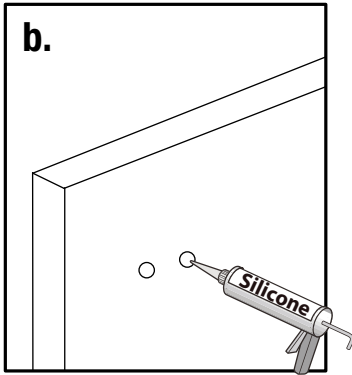
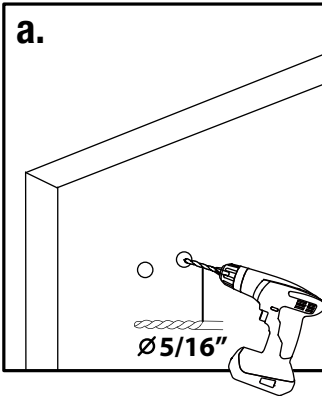
Guide Rail Bracket (02-2) Installation

Mark down the predrilled position of the Guide Rail Bracket (02-2) . Drill the holes using 5/16" drill bit, add silicone, and insert Wall Anchors (01). Remove the Wall Bracket from the Guide Rail Bracket (02-2) and mount it to the wall with Screws M5*60 (03).



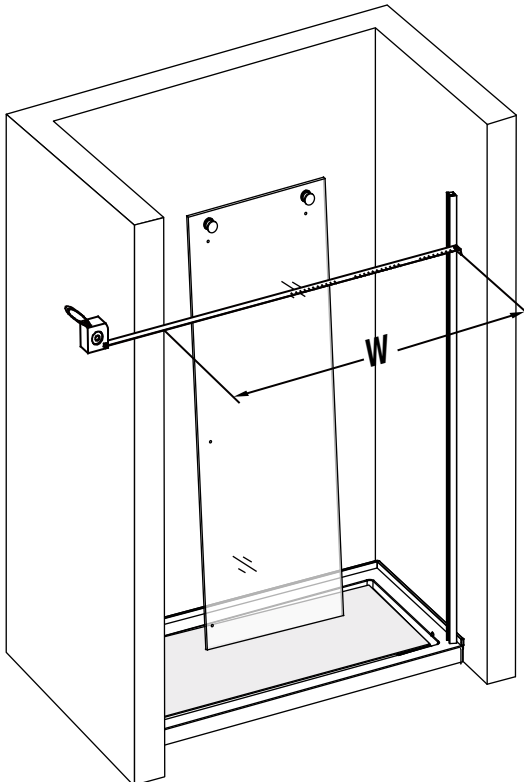
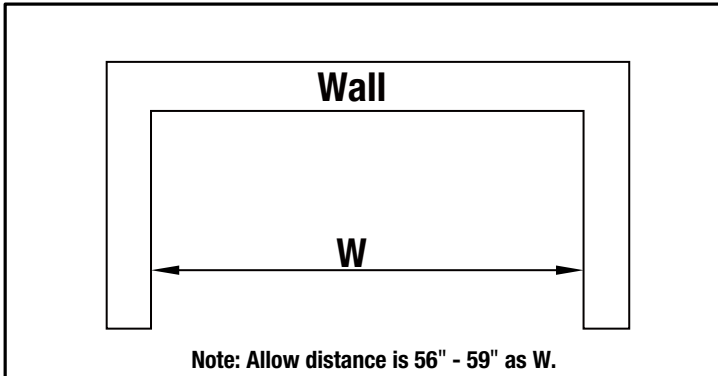
Guide Rail Bracket (02-1) Installation

Install the other side the same way.



Measure The Width

Measure the distance between two finished walls. Mark this distance as W.

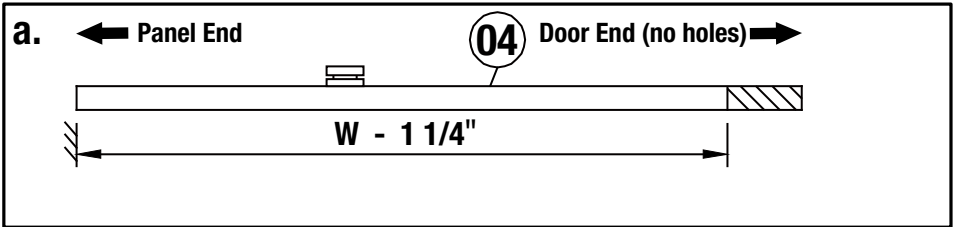


Guide Rail (04) Installation

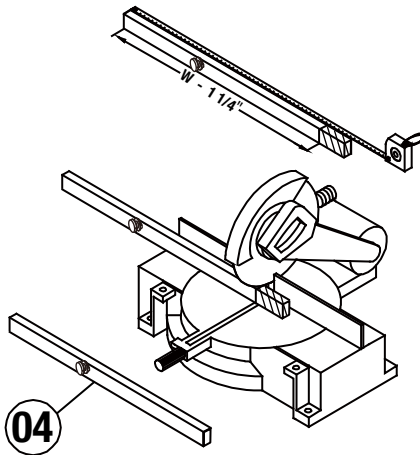
W = Width of the wall

If W = 59", it is UNNECESSARY to cut the Guide Rail (04).

If W < 59", measure W - 1 1/4" from the panel end and cut the Guide Rail (04) accordingly.

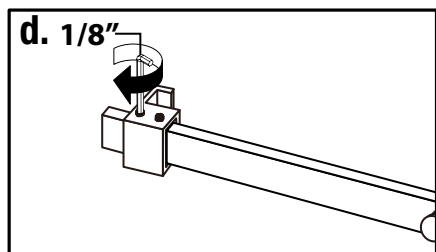
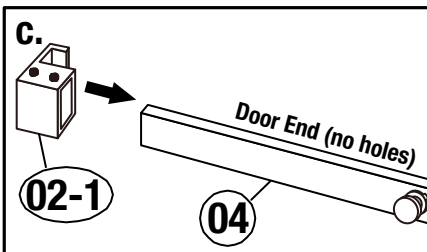
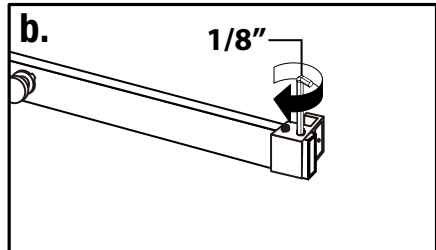
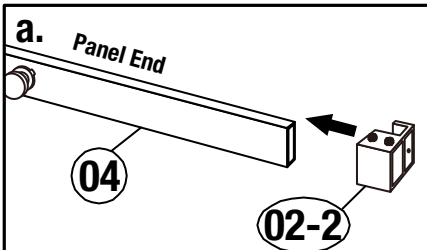
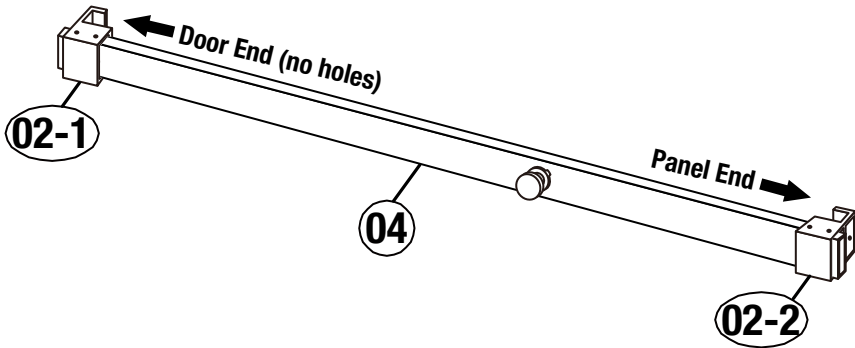


b.



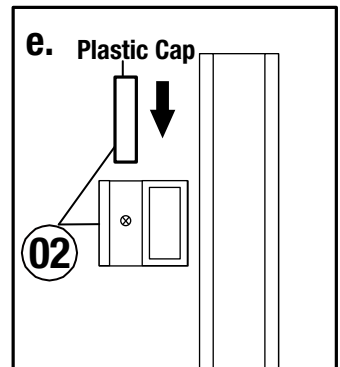
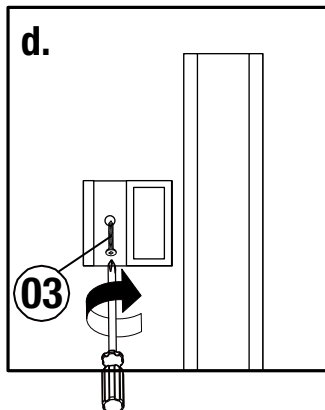
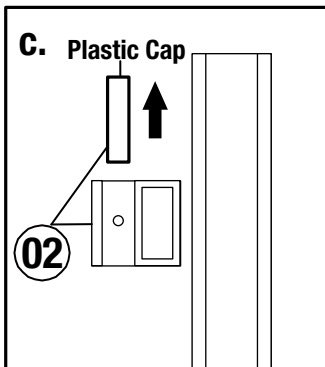
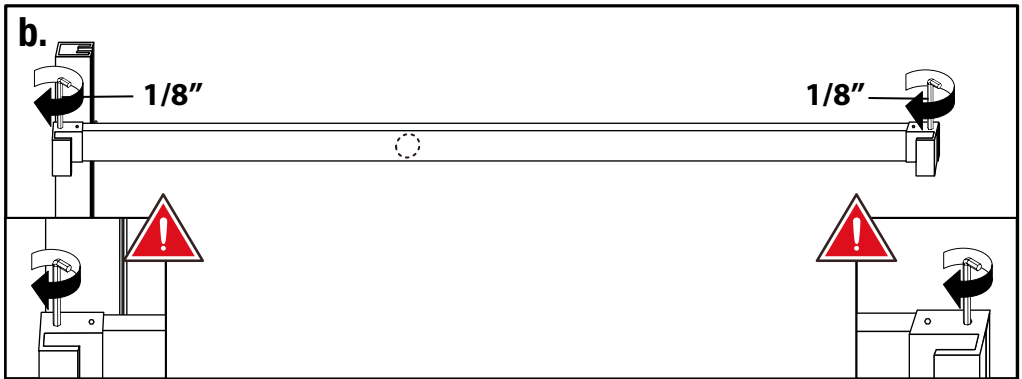
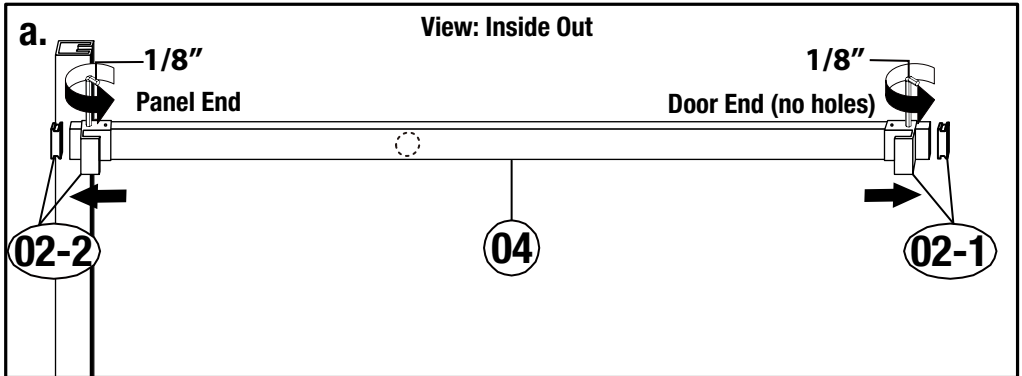
Guide Rail (04) Installation

Loosen the screw on the Guide Rail Brackets (02) with 1/8" allen key. Slide the Guide Rail Brackets (02) onto the Guide Rail (04) with the allen key.



Guide Rail (04) Installation

Loosen the outer Guide Rail Brackets (02) screws with 1/8" alley key.
Attach the Guide Rail (04) to the wall using the allen key.

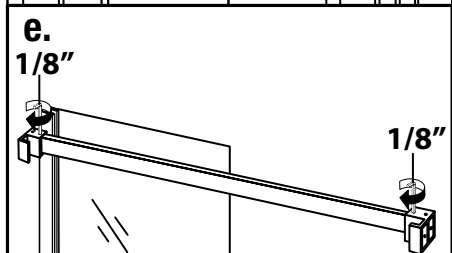
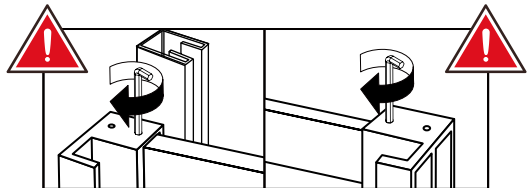
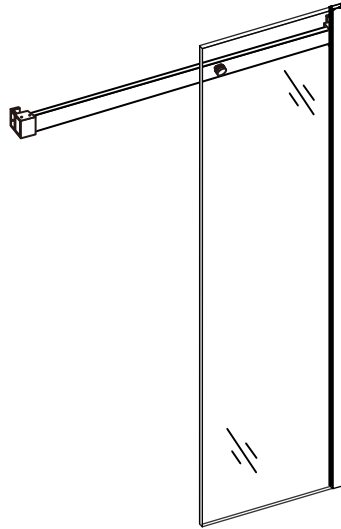
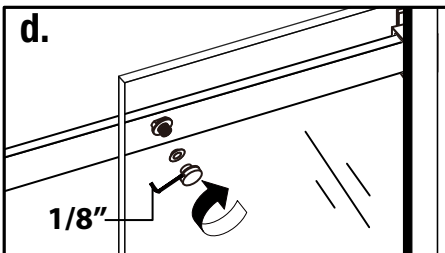
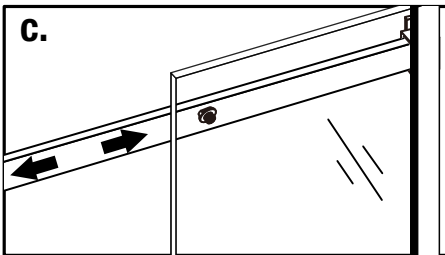
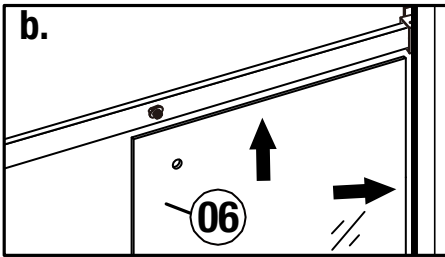
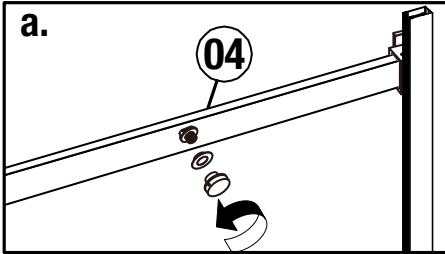


Fixed Glass Panel (06) Installation

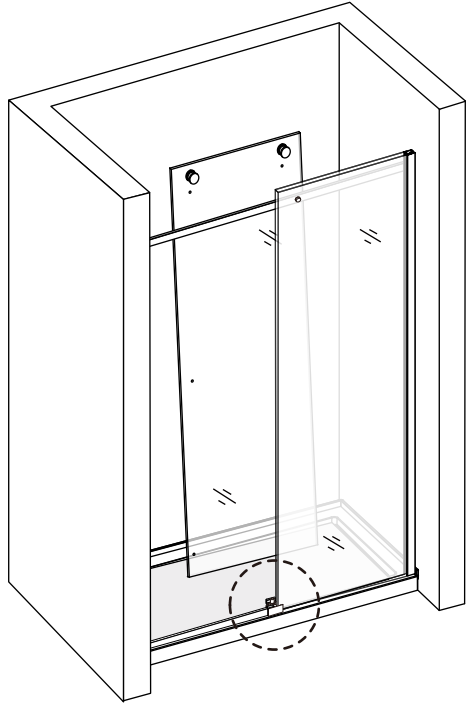
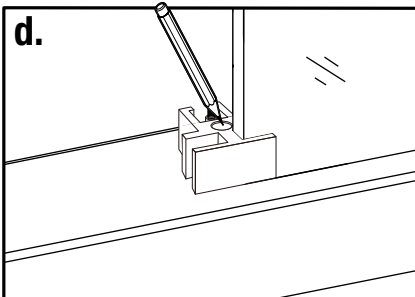
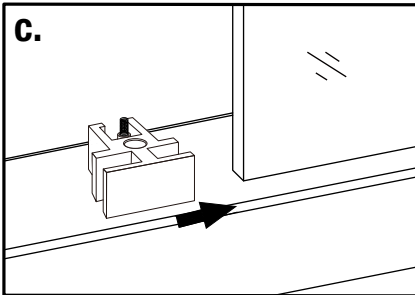
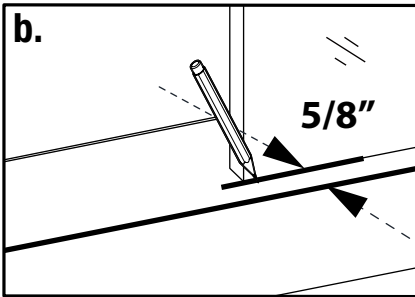
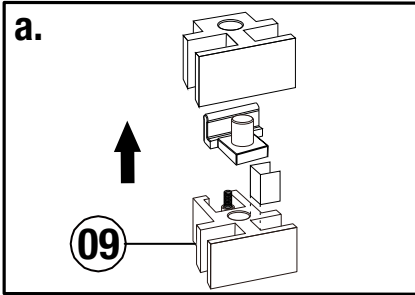
NOTE

The outer Glass-to-Rail Bracket disk has an eccentric bushing for adjustment. Be sure to install both Glass-to-Rail Bracket disks with the high spot of the bushing pointed towards the door end of the guide rail.

Loosen the glass bracket on the Guide Rail (04), slide the Fixed Glass Panel (06) into the Wall Jamb (05) and align the glass bracket to the holes on the Fixed Glass Panel (06), make sure the Fixed Glass Panel (06) is leveled and secure the glass bracket. Tighten the two remaining screws on the Guide Rail Bracket (02).

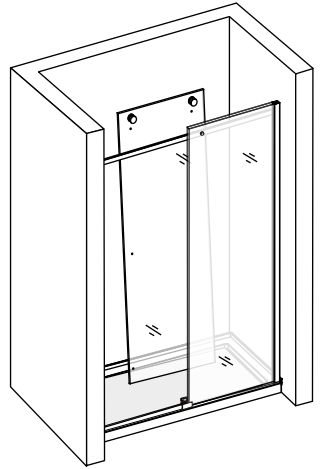
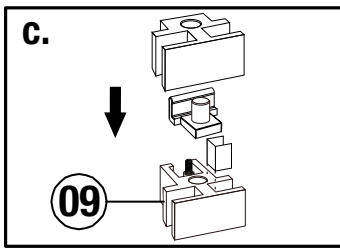
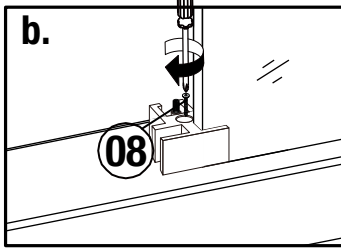
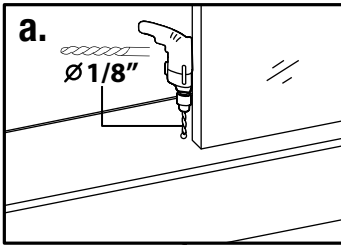


Door Guide (09) Installation

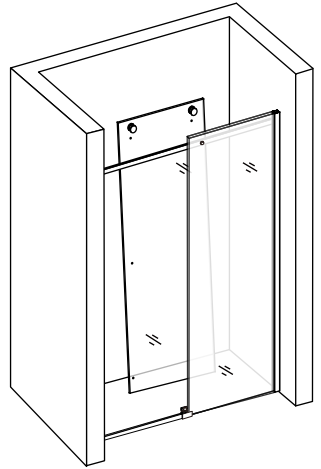
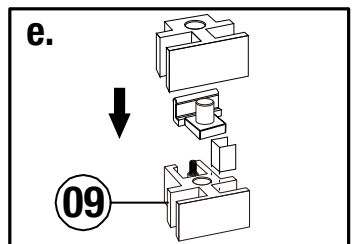
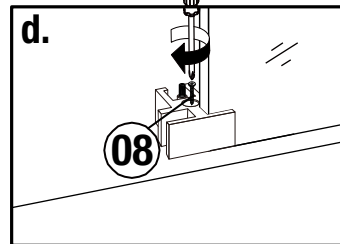
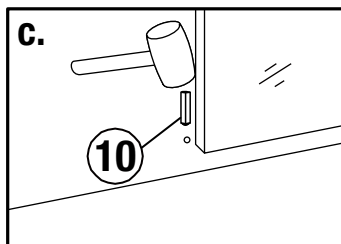
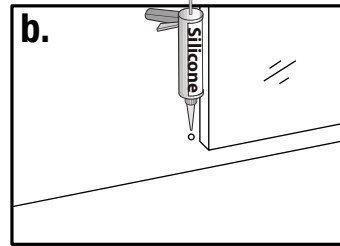
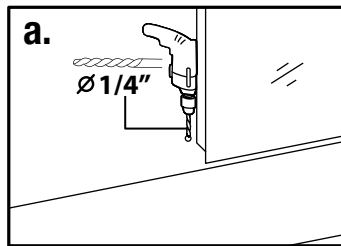


Door Guide (09) Installation

Install the shower door WITH a shower base:

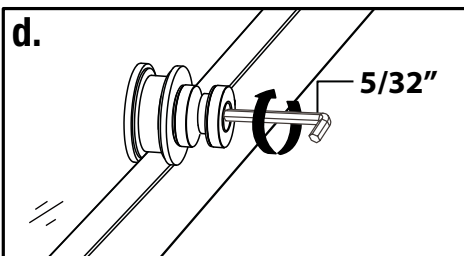
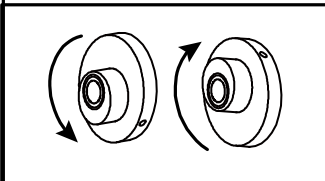
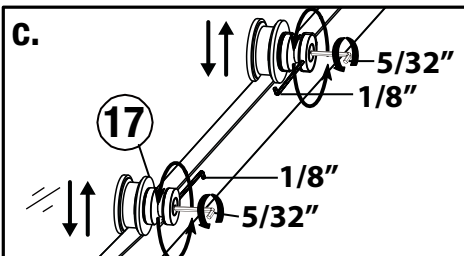
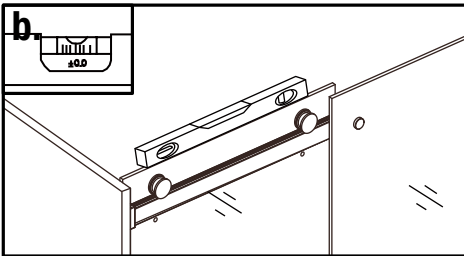
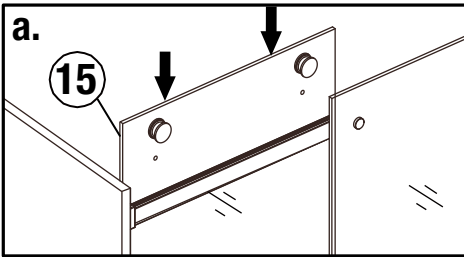
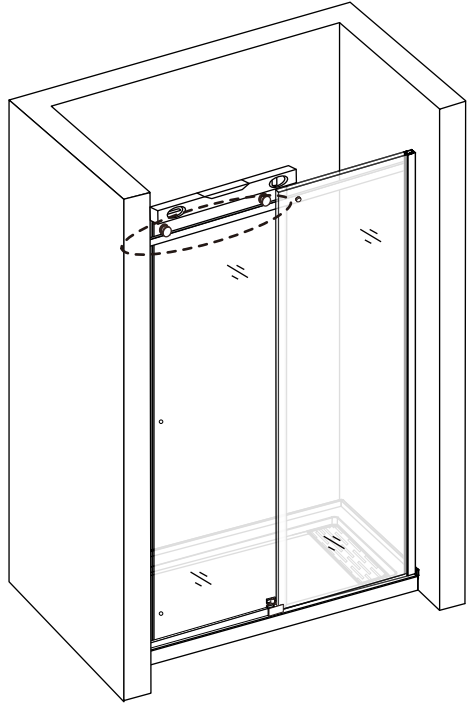


Install the shower door WITHOUT a shower base:

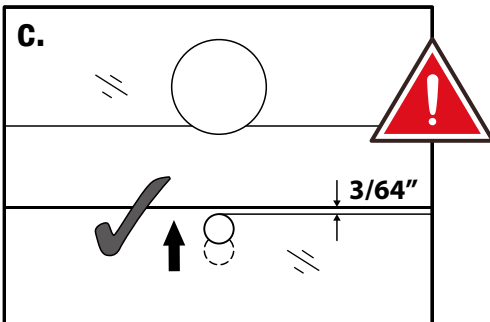
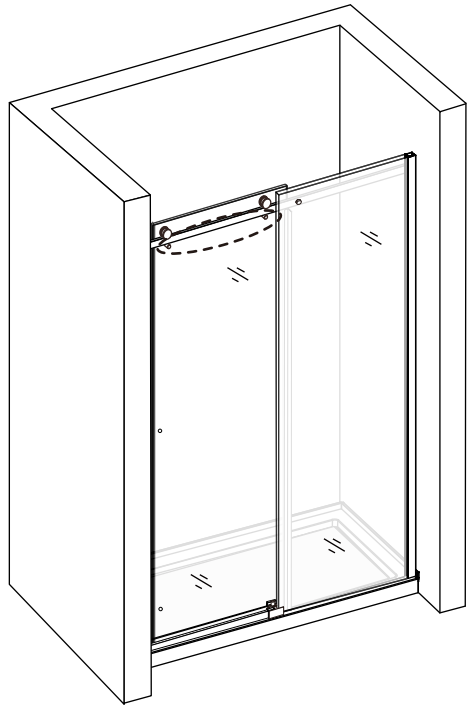
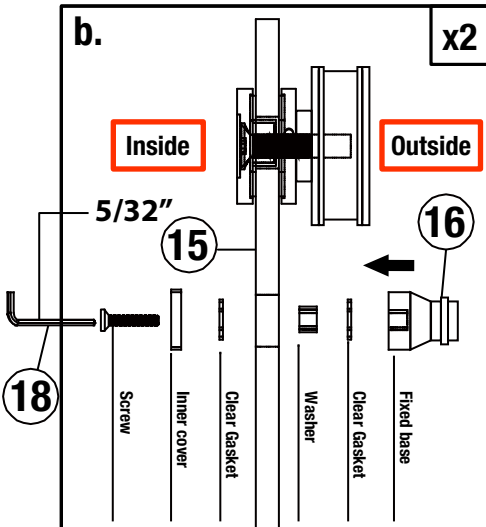
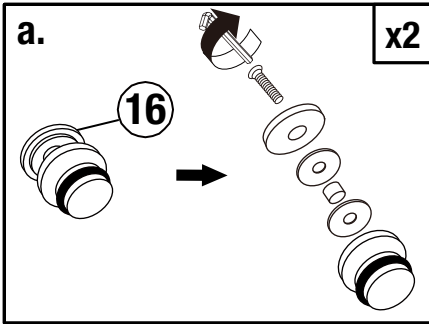


Glass Door (15) Installation

Hang the Glass Door (15) to the Guide Rail (04) and perform steps c and d to make sure they are leveled, then secure the Roller (17).



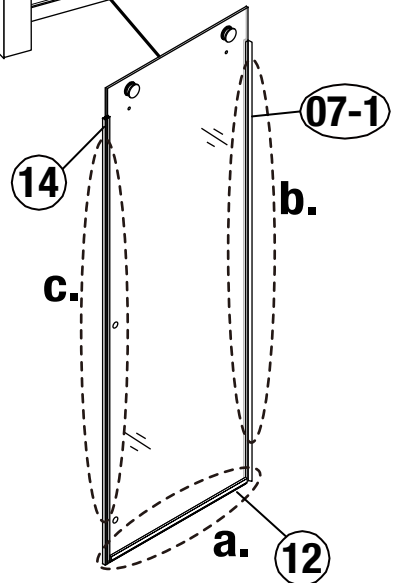
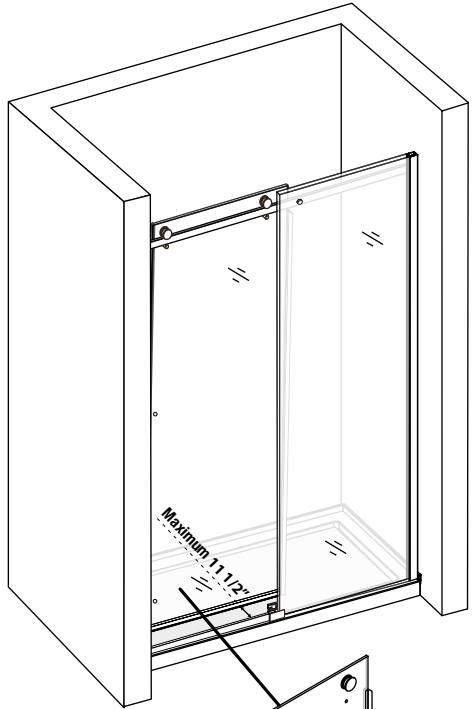
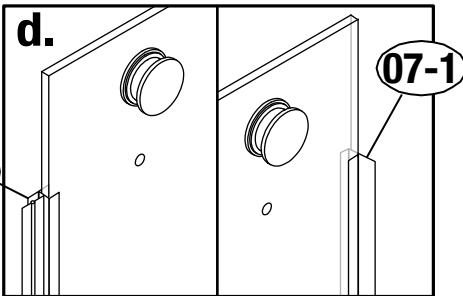
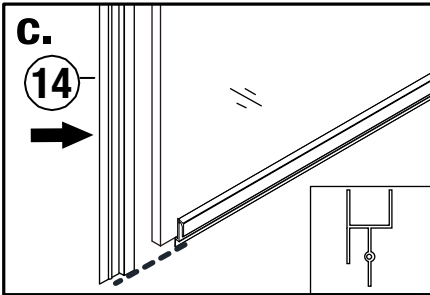
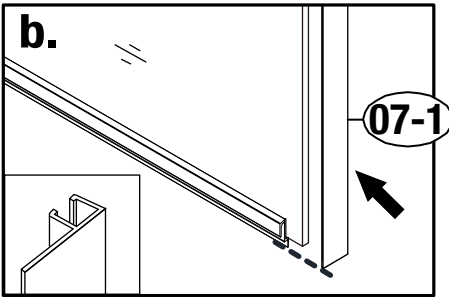
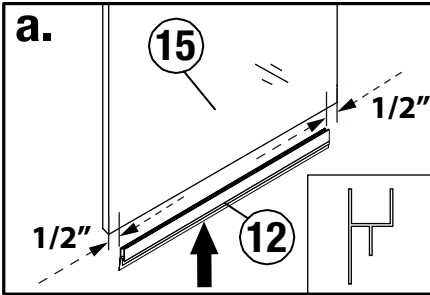
Safety Pin (16) Installation



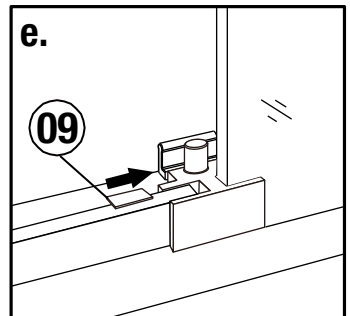
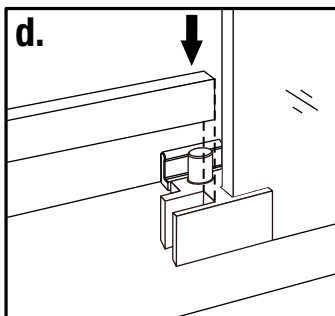
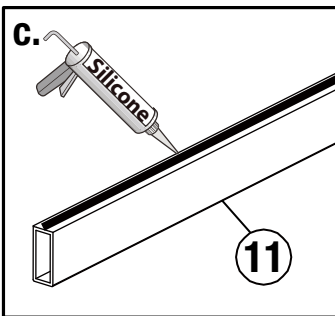
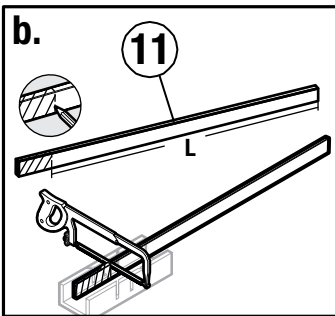
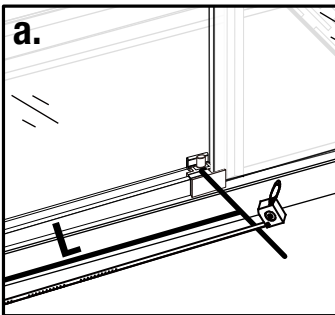
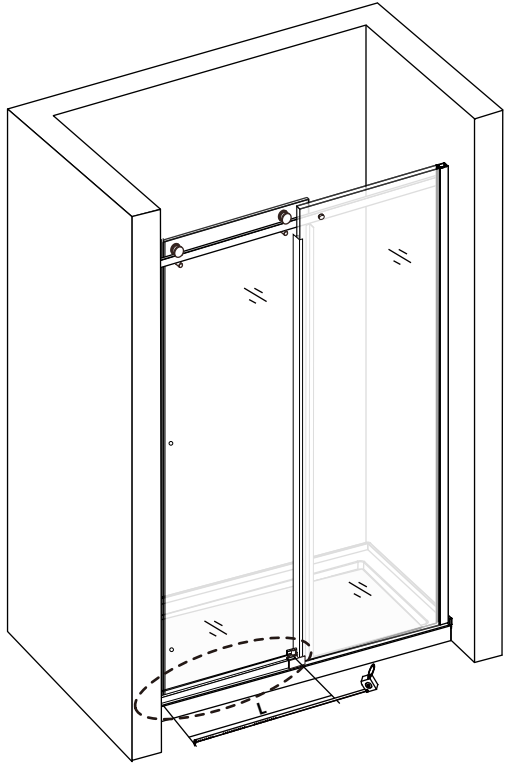
Anti-water Strip (12) Installation

NOTE

When installing the Bottom Anti-Water Strip (12) at the bottom of the Glass Door (15), the Glass Door (15) must not be bent inward by more than 1 1/2".



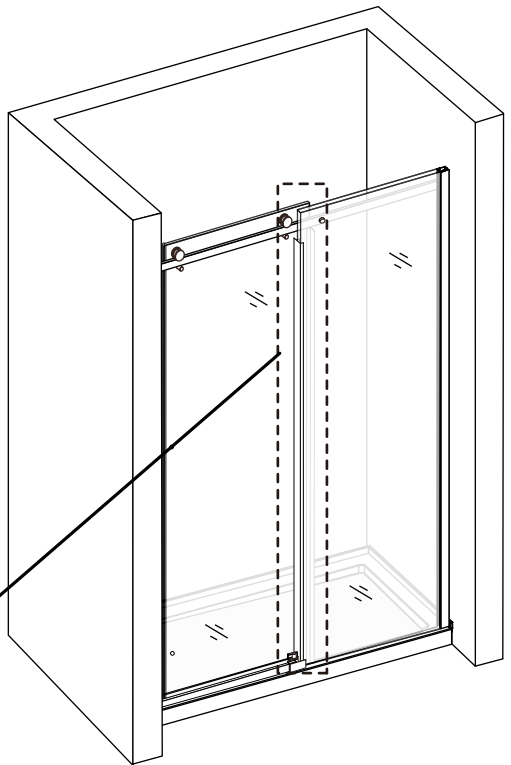
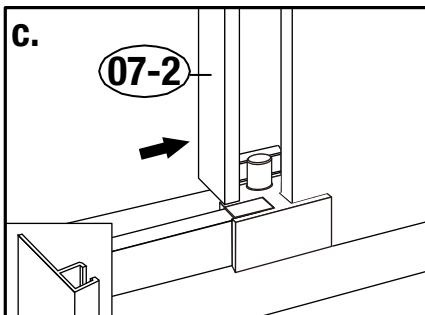
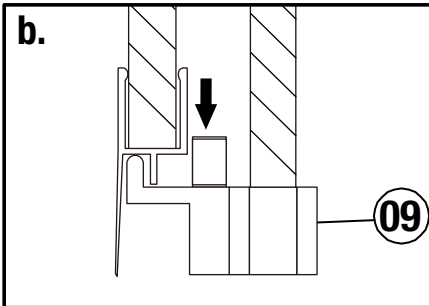
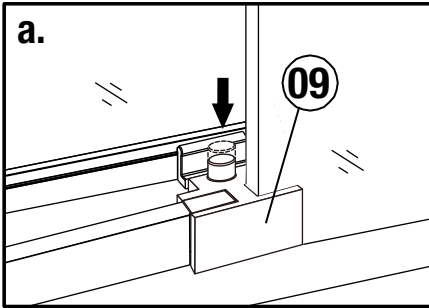
Drip Shield (11) Installation



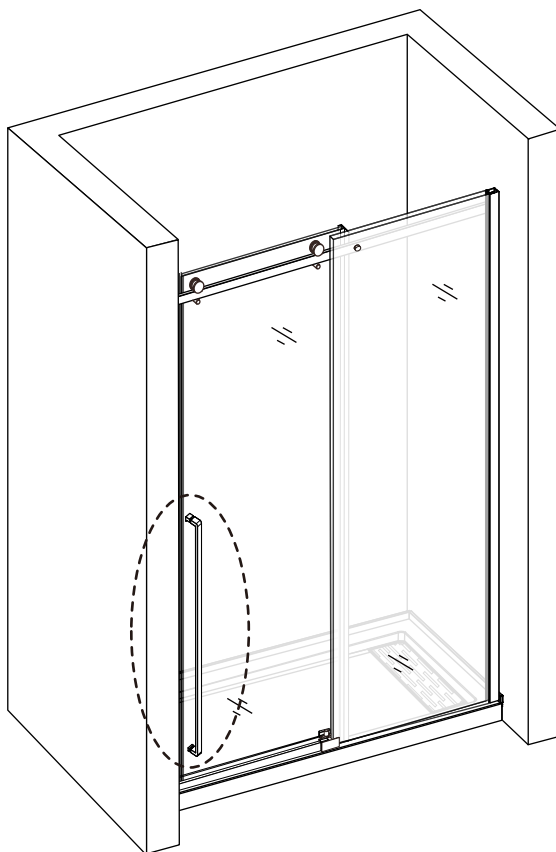
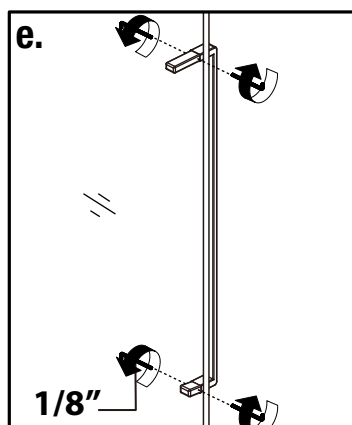
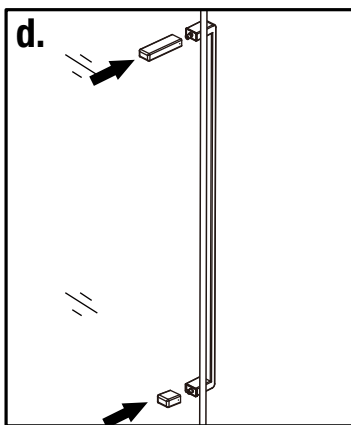
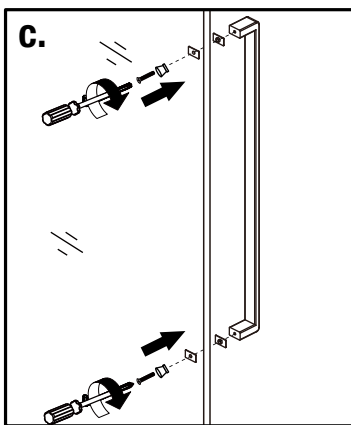
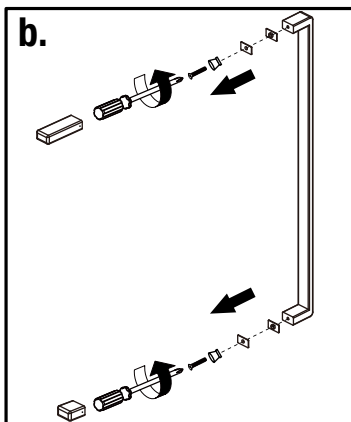
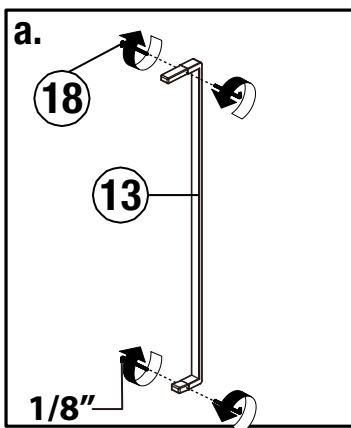
Anti-water Strip (12) Installation

NOTE

Press down the Door Guide (09) so that it hooks into the slot of the Bottom Anti-Water Strip (12).



Shower Door Handle (13) Installation

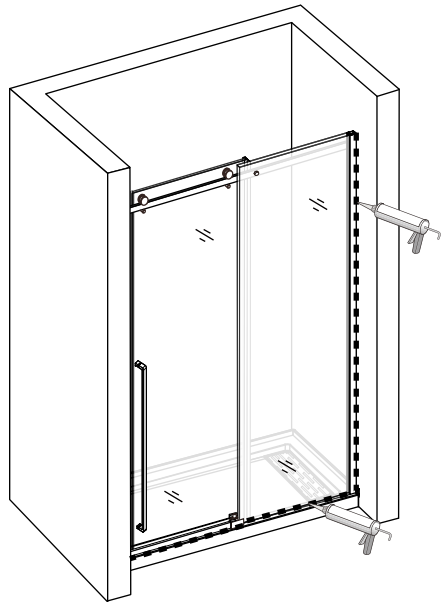
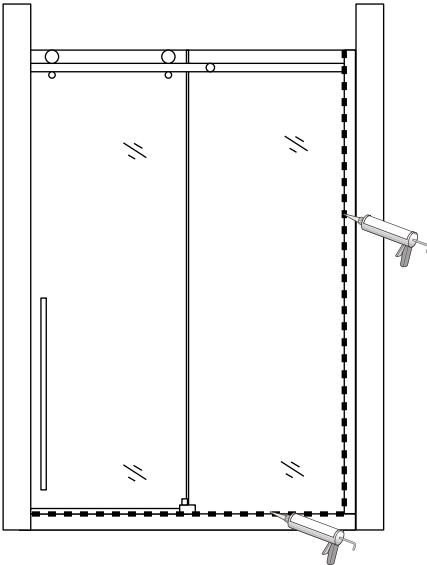


Silicone Seal

Apply silicone sealant on the seams between the Fixed Glass Panel and the shower base, and between the wall and the Fixed Glass Panel.



ALLOW SILICONE TO DRY FOR **24 HOURS** BEFORE USING THE SHOWER DOOR.



Thank you for choosing Morvano products!

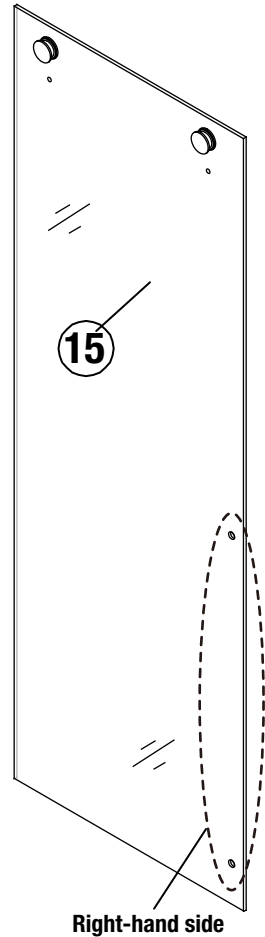
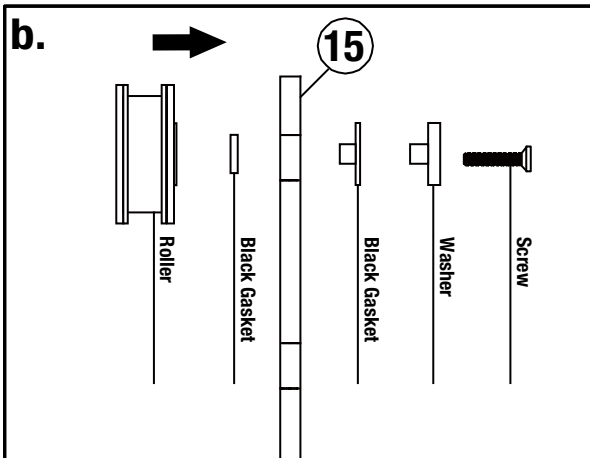
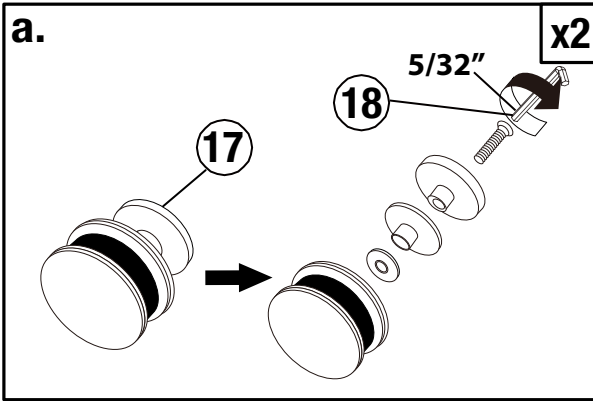
Please do not hesitate to contact us if you have any questions or concerns.

Roller (17) Installation

NOTE

Right-hand door installation shown. For left-hand door installation, please refer to P9-P28.

Unscrew the Rollers (17) and secure them on the top of the Glass Door (15), do not tighten them too firmly. Make sure the handle holes are positioned on the right side.

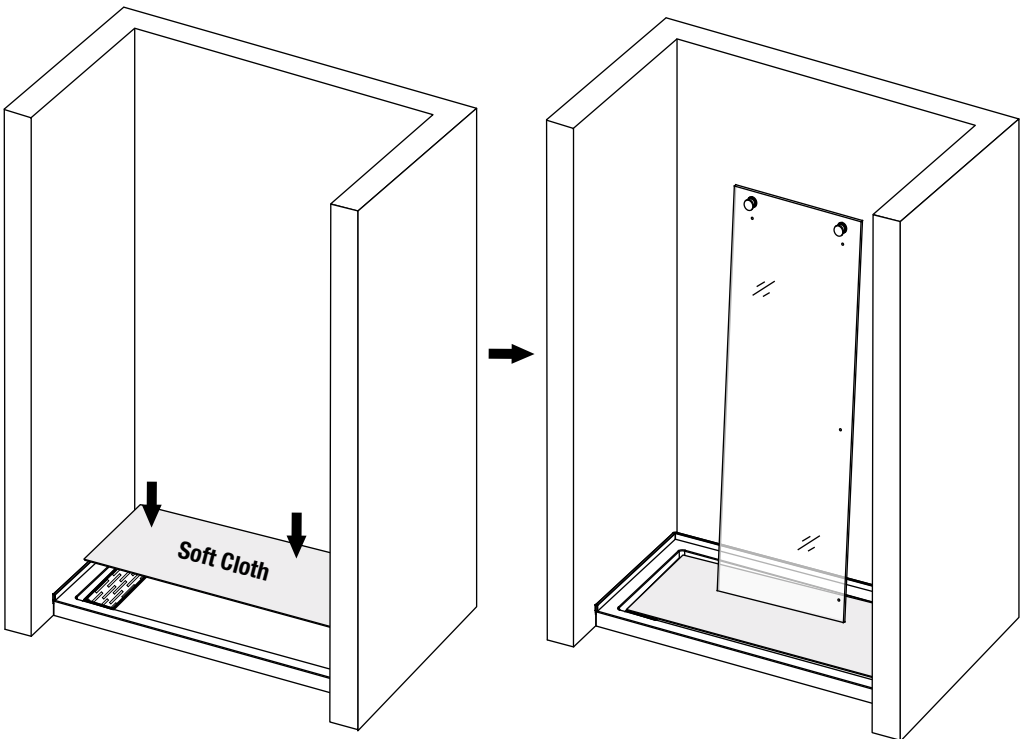


Glass Door (15) Installation

Cover the shower base with a soft cloth/blanket. Carefully handle the glass door (15) to avoid scratching the shower base.

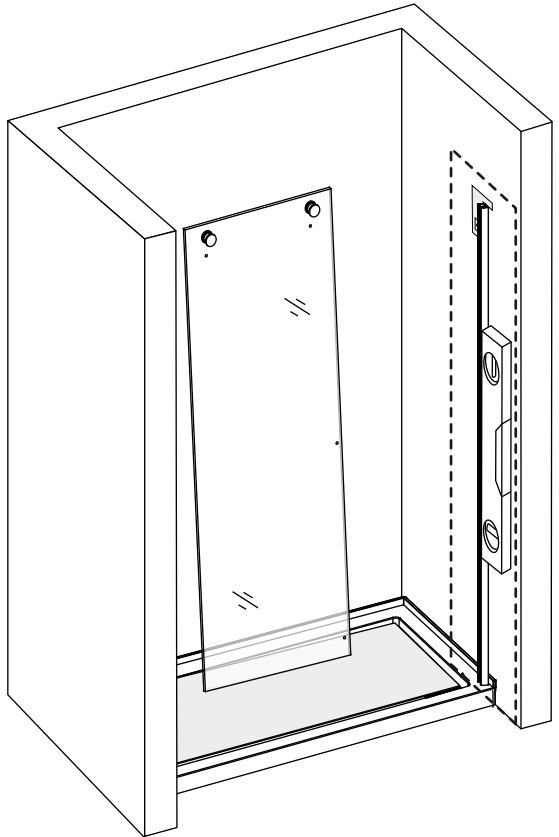
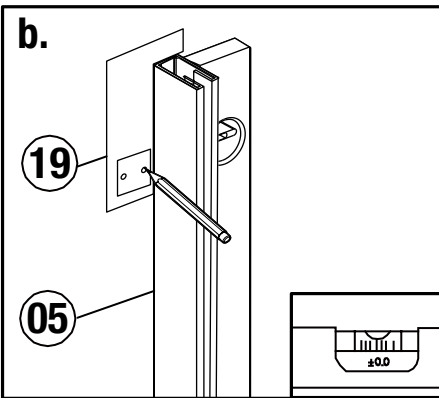
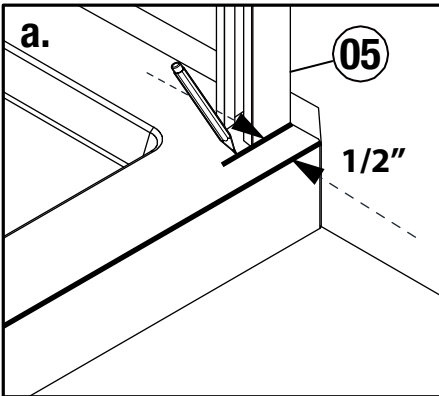


DO NOT attach the handle to the Door Glass until instructed.
DO NOT attempt to lift the Glass Door with the handle as this may result in damage to the glass and/or serious personal injury. Use a professional grade glass suction cup and an assistant.



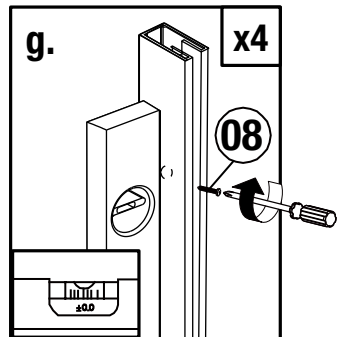
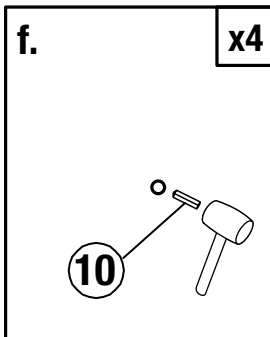
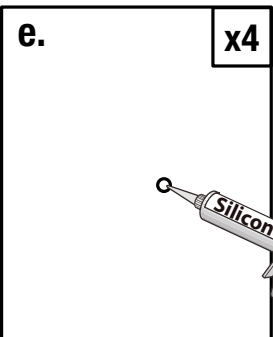
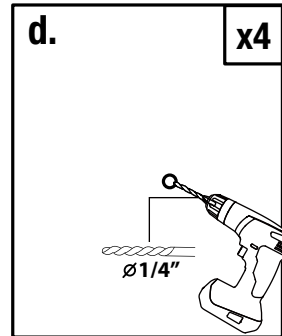
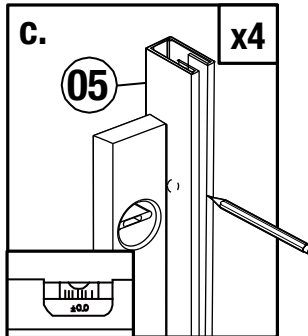
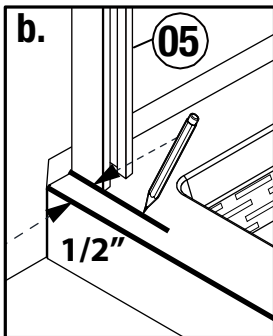
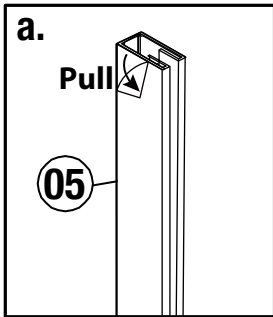
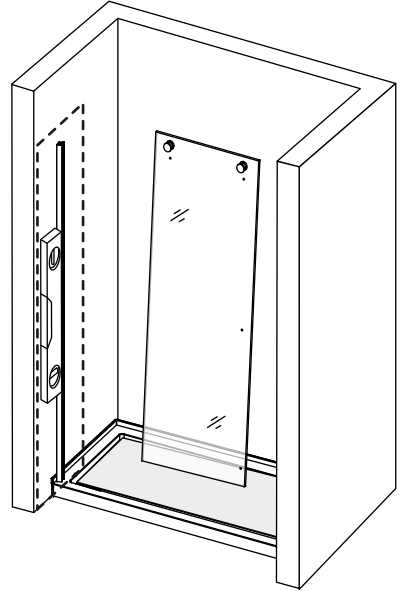
Guide Rail Bracket (02-2) Installation

Mark down the predrilled position of the Guide Rail Bracket (02-2) using the L-shaped Template (19) and Wall Jamb (05) on the right wall.



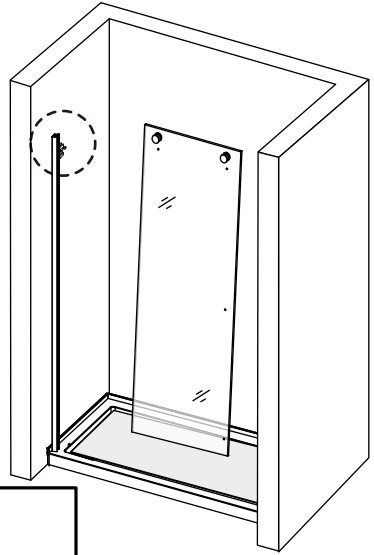
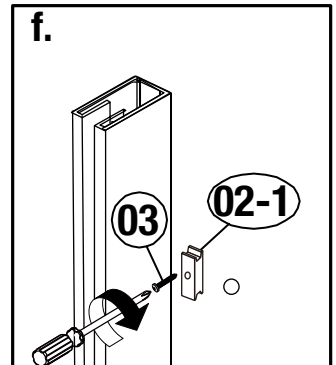
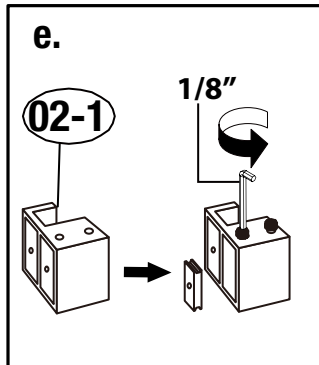
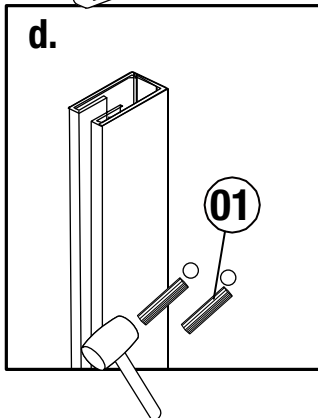
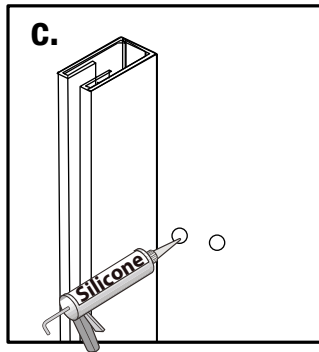
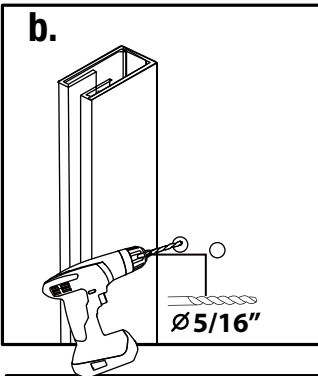
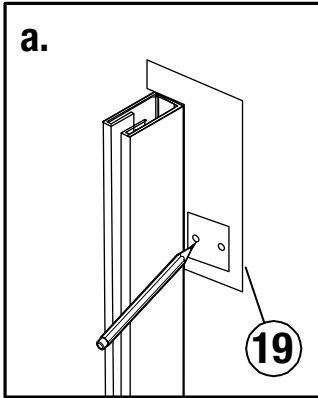
Wall Jamb (05) Installation

Place the Wall Jamb (05) on the left side, mark down the predrilled position of the Wall Jamb (05) (4 holes). Drill a 1/4" hole, add silicone, then insert the anchor. Secure the Wall Jamb with M4*30 Screws (08).



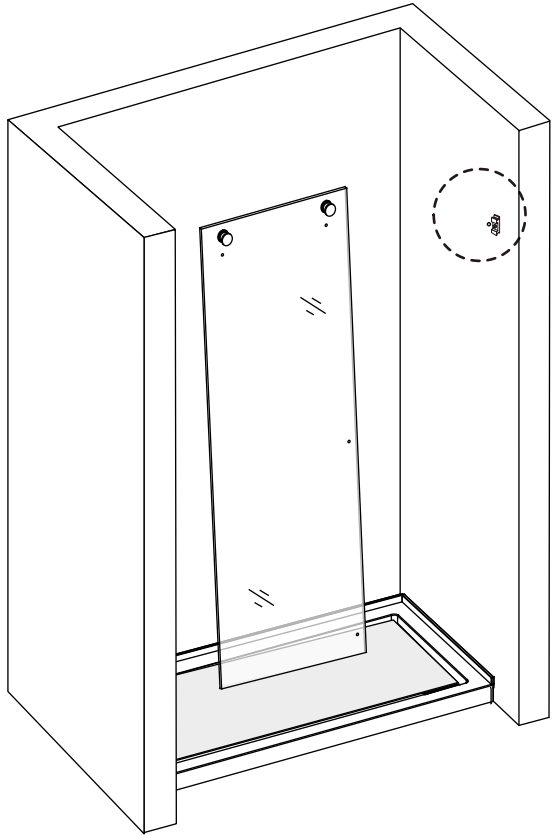
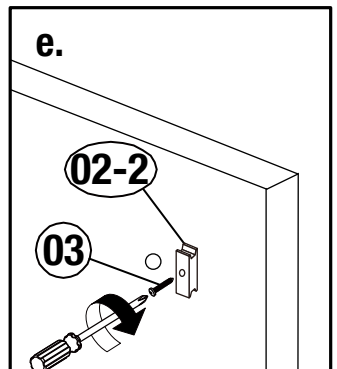
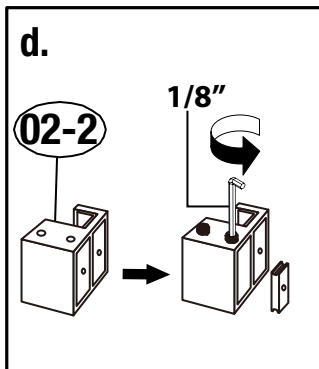
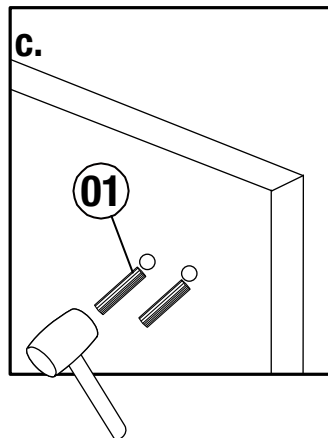
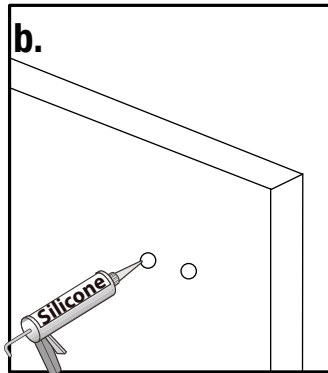
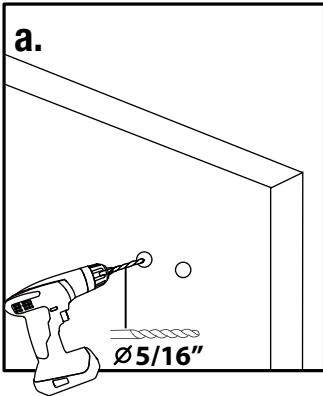
Guide Rail Bracket (02-1) Installation

Mark down the predrilled position of the Guide Rail Bracket (02-1) . Drill the holes using 5/16" drill bit, add silicone, and insert Wall Anchors (01). Remove the Wall Bracket from the Guide Rail Bracket (02-1) and mount it to the wall with Screws M5*60 (03).



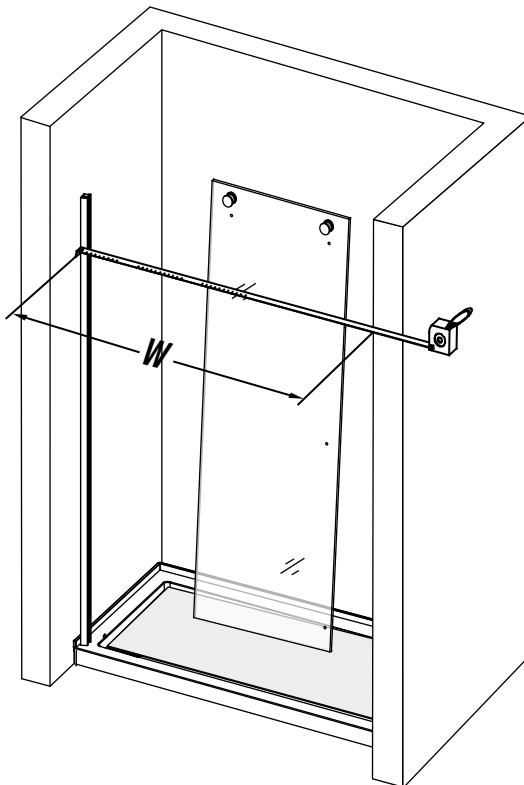
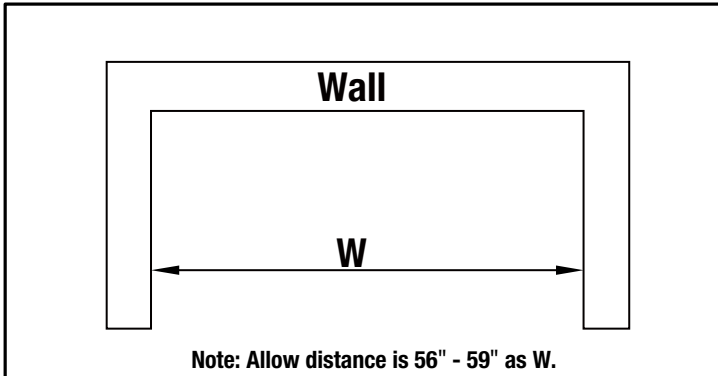
Guide Rail Bracket (02-1) Installation

Install the other side the same way.



Measure The Width

Measure the distance between two finished walls. Mark this distance as W .

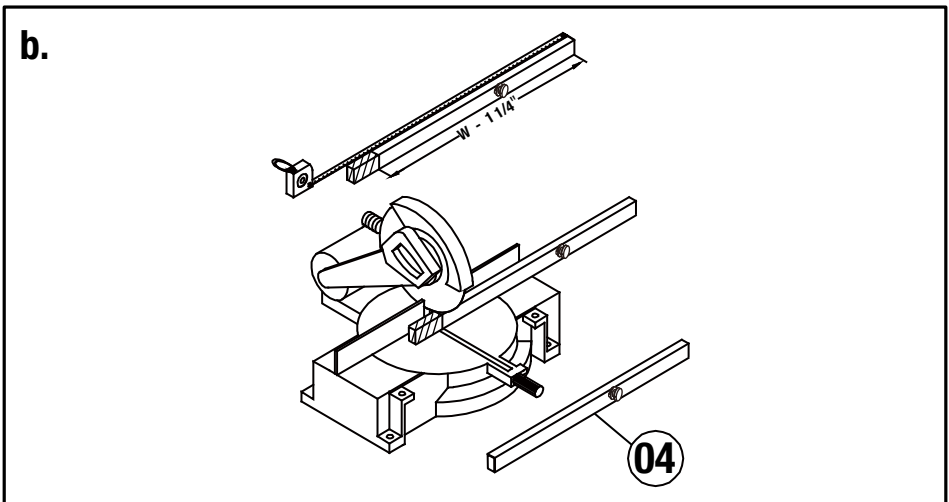
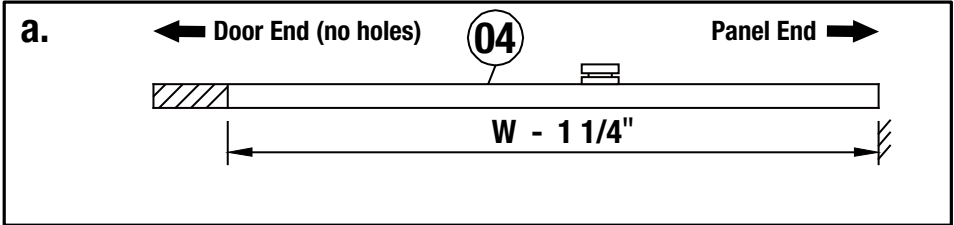


Guide Rail (04) Installation

W = Width of the wall

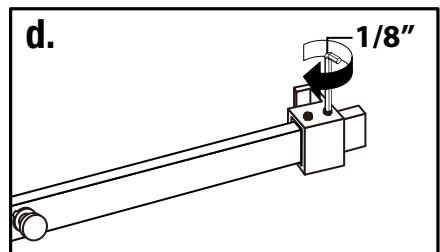
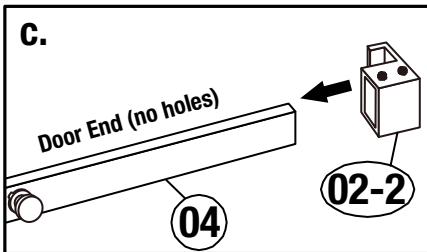
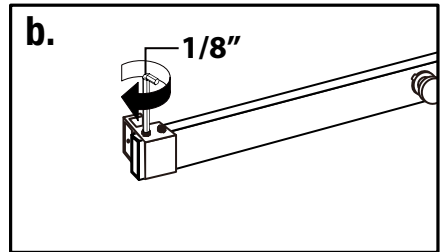
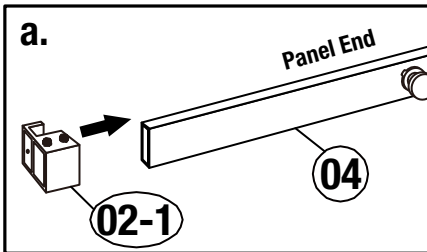
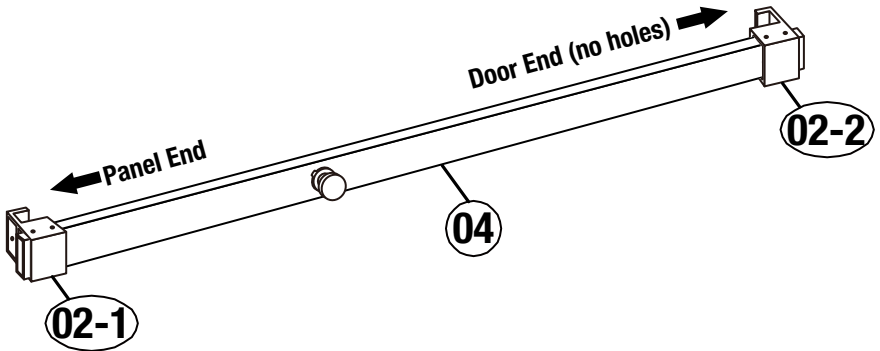
If W = 59", it is UNNECESSARY to cut the Guide Rail (04).

If W < 59", measure W - 1 1/4" from the panel end and cut the Guide Rail (04) accordingly.



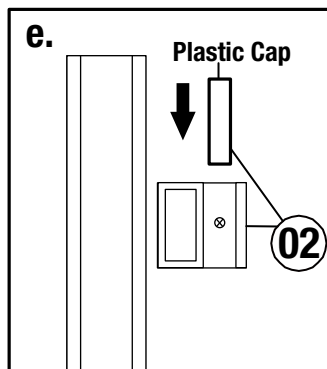
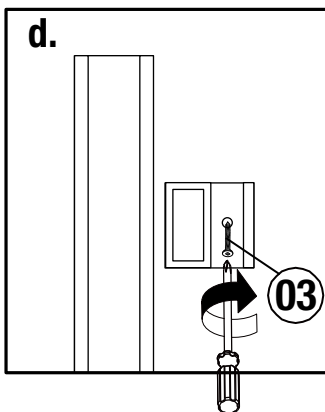
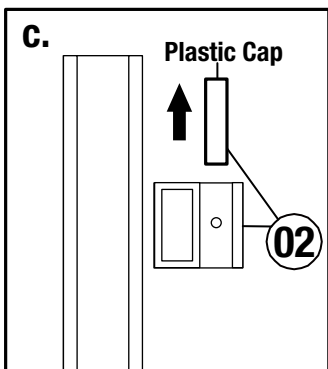
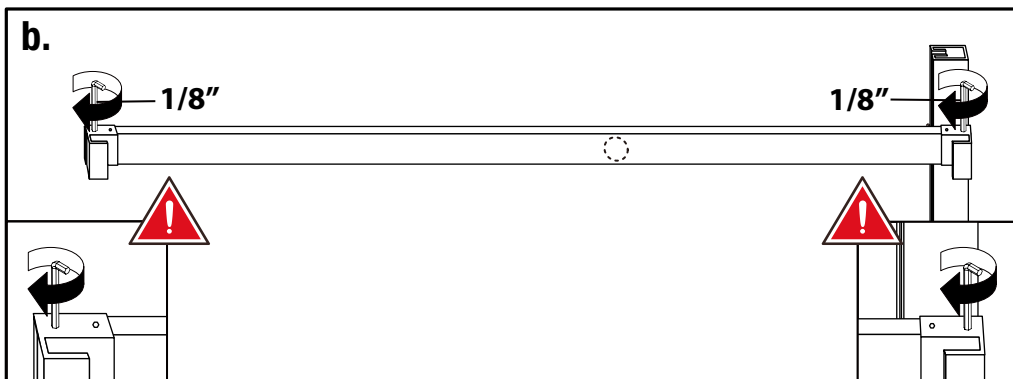
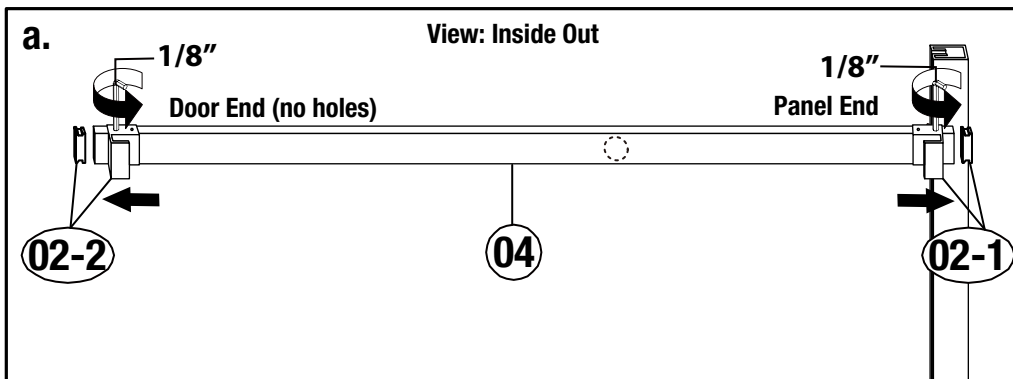
Guide Rail (04) Installation

Loosen the screw on the Guide Rail Brackets (02) with 1/8" allen key. Slide the Guide Rail Brackets (02) onto the Guide Rail (04) with the allen key.



Guide Rail (04) Installation

Loosen the outer Guide Rail Brackets (02) screws with 1/8" allen key.
Attach the Guide Rail (04) to the wall using the allen key.

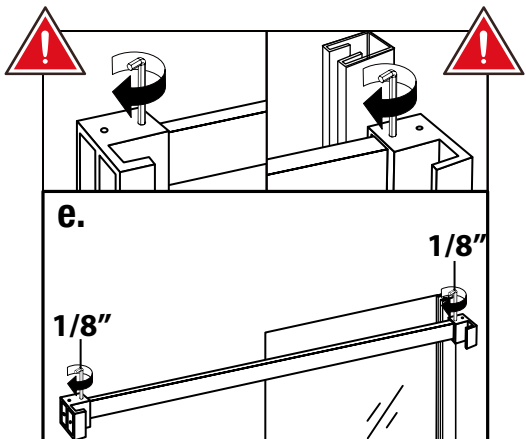
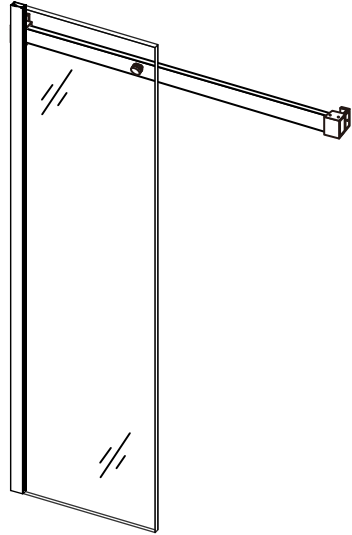
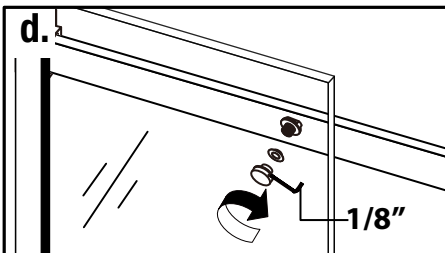
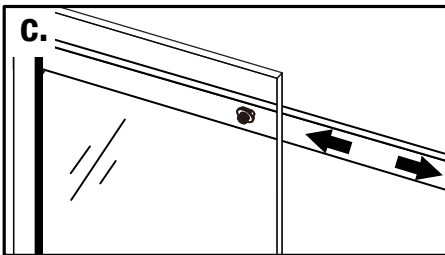
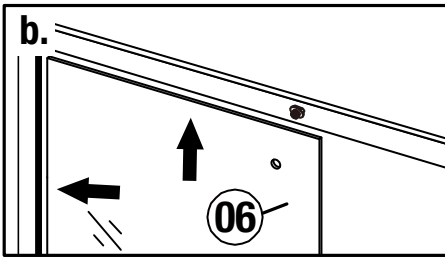
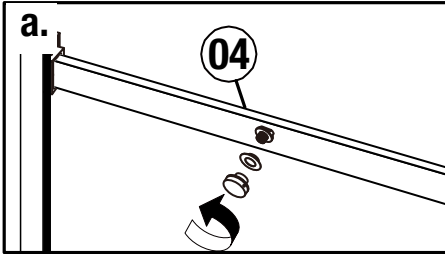


Fixed Glass Panel (06) Installation

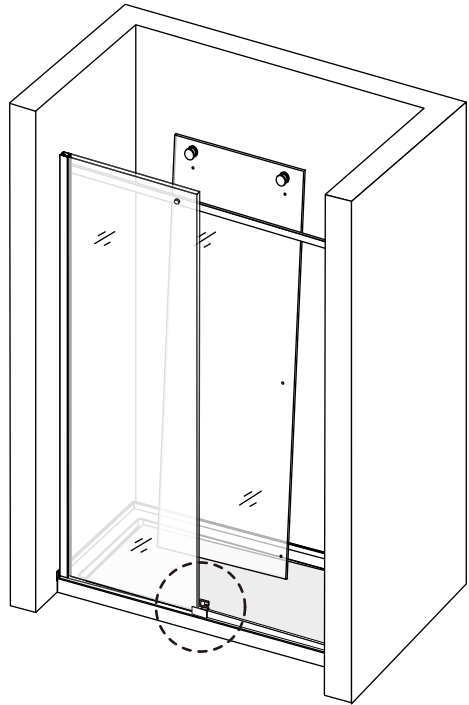
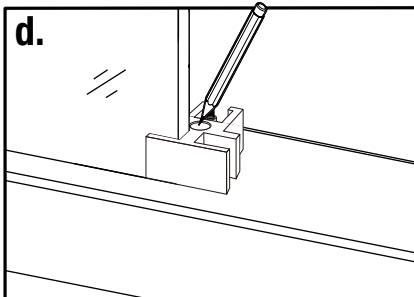
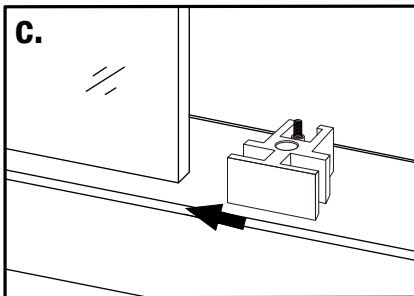
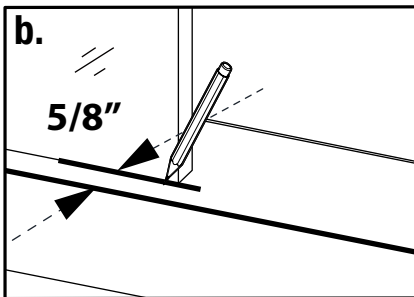
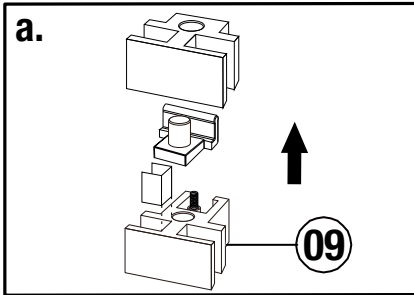
NOTE

The outer Glass-to-Rail Bracket disk has an eccentric bushing for adjustment. Be sure to install both Glass-to-Rail Bracket disks with the high spot of the bushing pointed towards the door end of the guide rail.

Loosen the glass bracket on the Guide Rail (04), slide the Fixed Glass Panel (06) into the Wall Jamb (05) and align the glass bracket to the holes on the Fixed Glass Panel (06), make sure the Fixed Glass Panel (06) is leveled and secure the glass bracket. Tighten the two remaining screws on the Guide Rail Bracket (02).

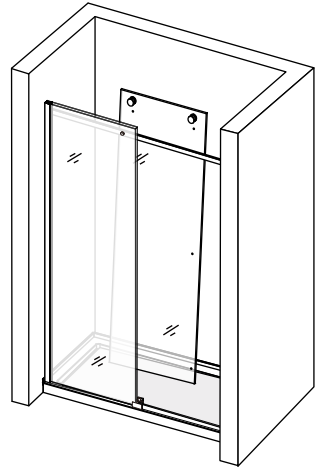
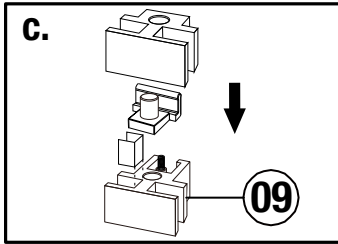
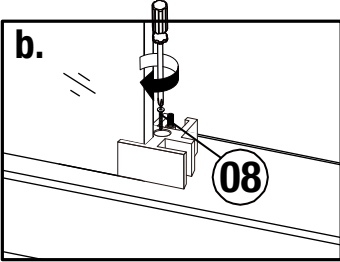
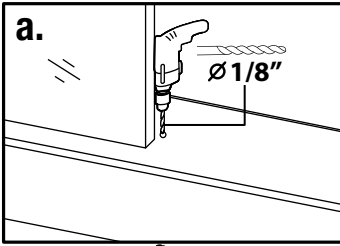


Door Guide (09) Installation

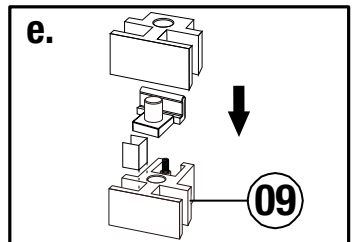
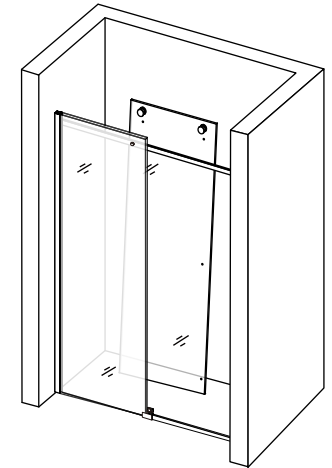
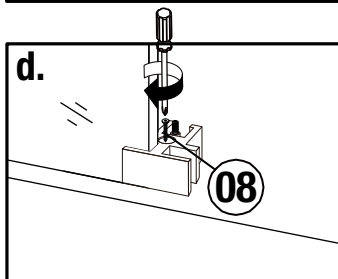
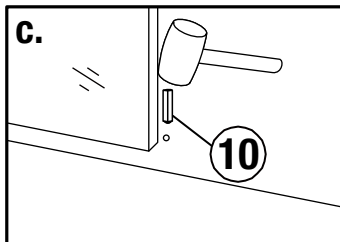
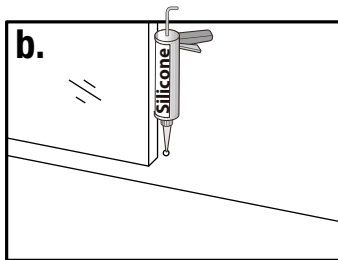
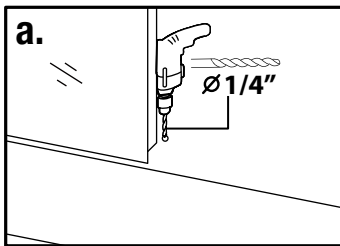


Door Guide (09) Installation

Install the shower door WITH a shower base:

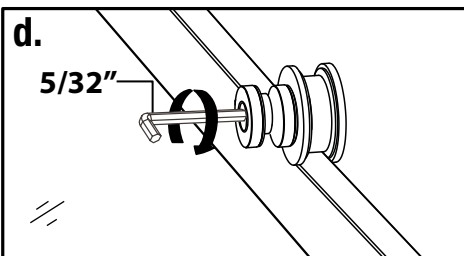
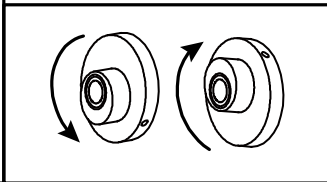
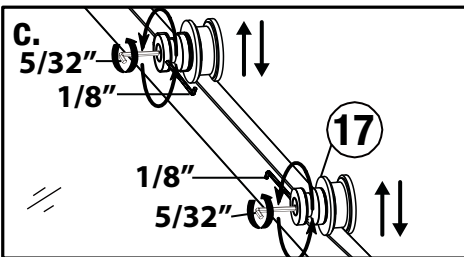
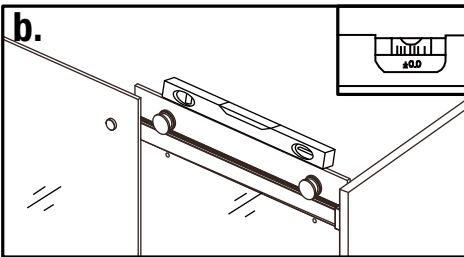
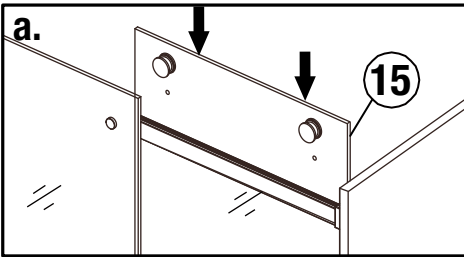
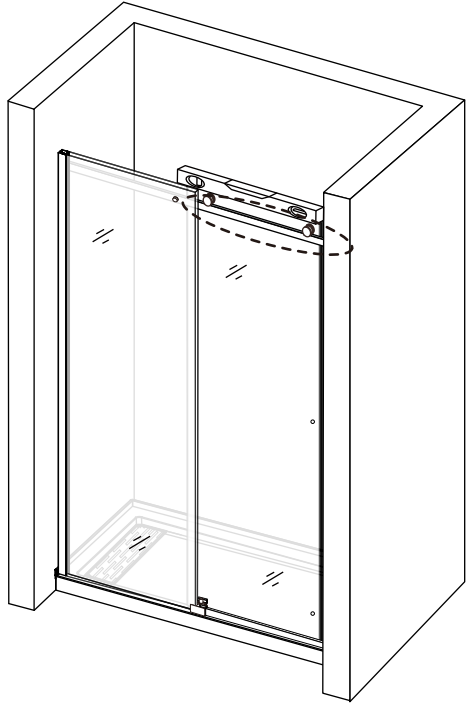


Install the shower door WITHOUT a shower base:

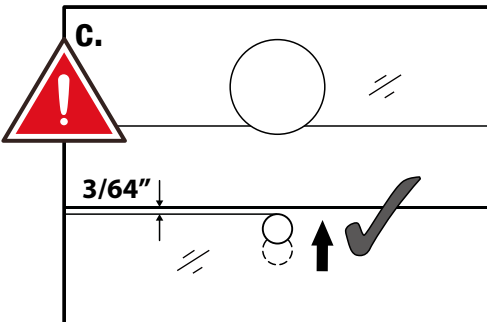
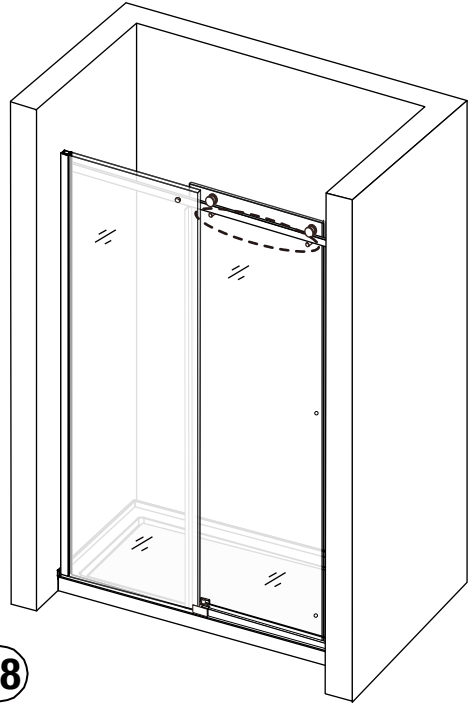
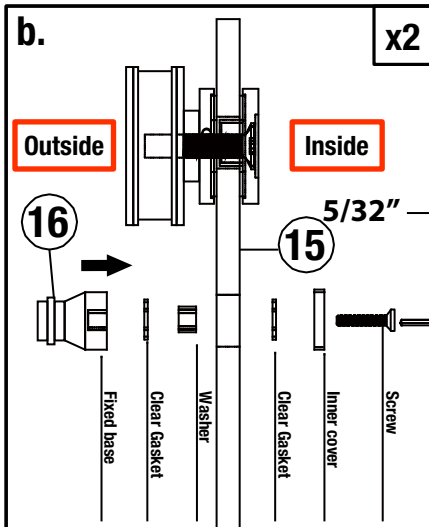
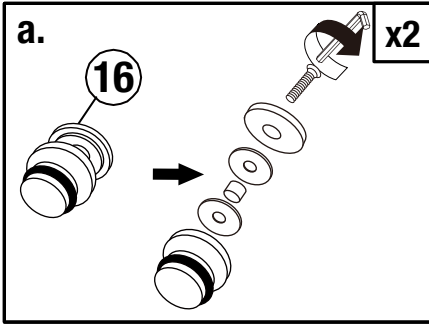


Glass Door (15) Installation

Hang the Glass Door (15) to the Guide Rail (04) and perform steps c and d to make sure they are leveled, then secure the Roller (17).



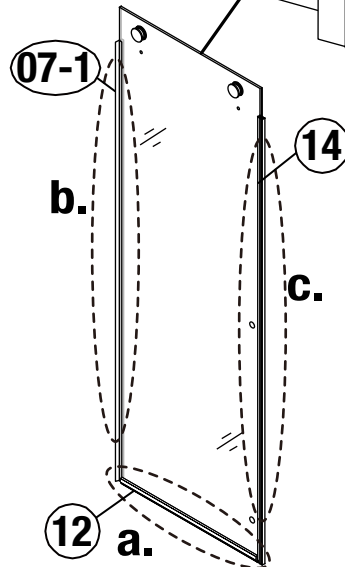
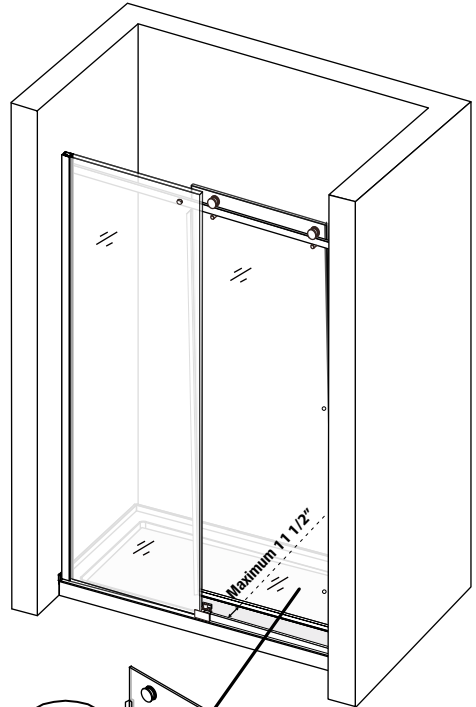
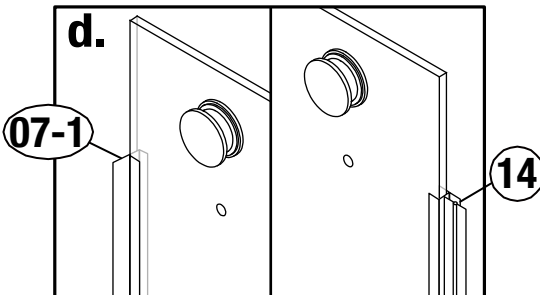
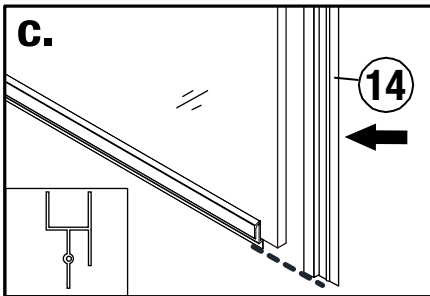
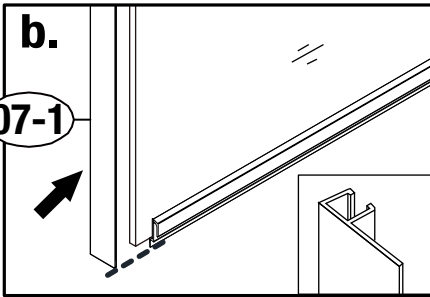
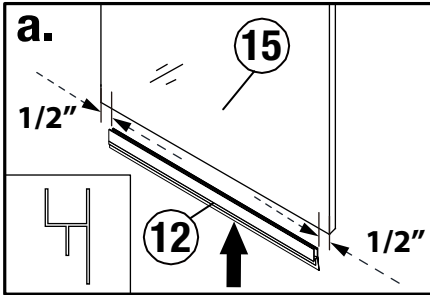
Safety Pin (16) Installation



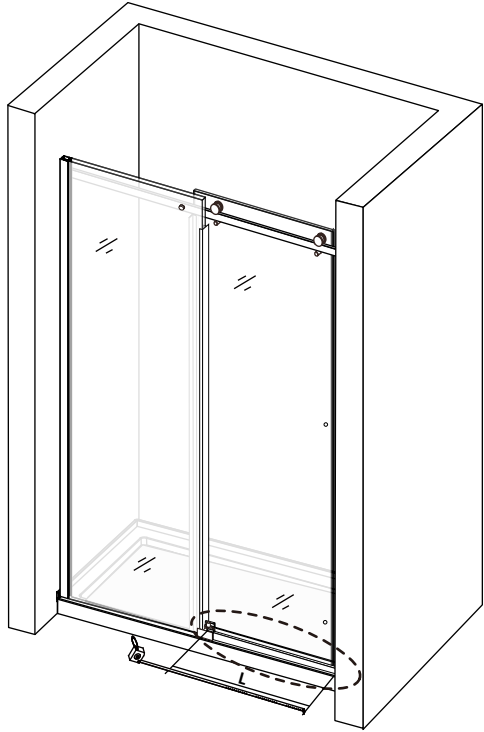
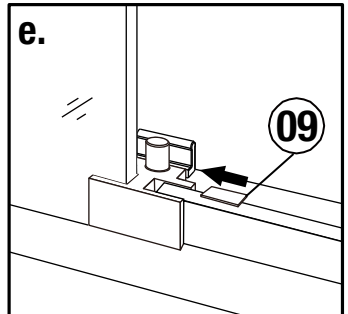
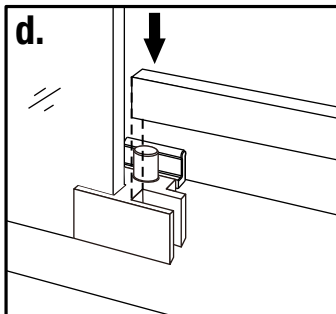
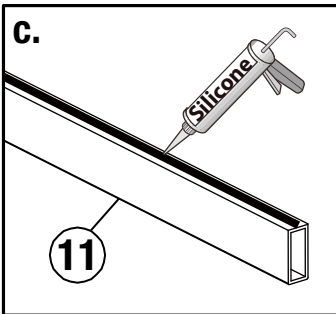
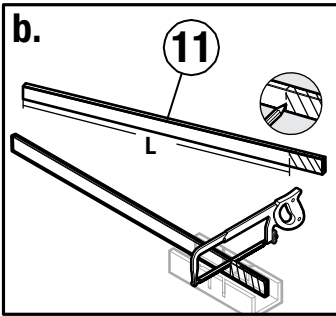
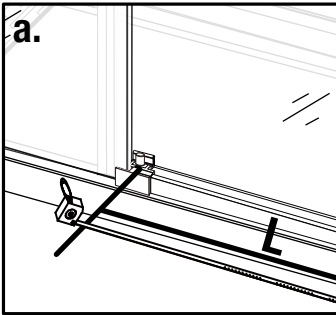
Anti-water Strip (12) Installation

NOTE

When installing the Bottom Anti-Water Strip (12) at the bottom of the Glass Door (15), the Glass Door (15) must not be bent inward by more than 1 1/2".



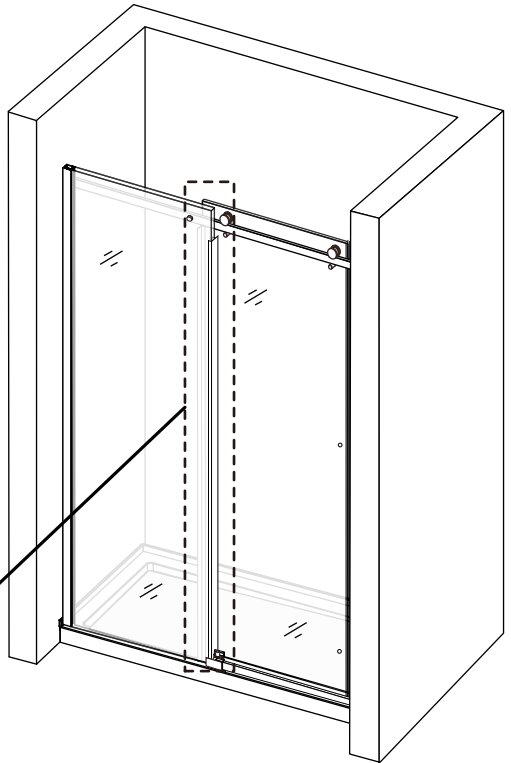
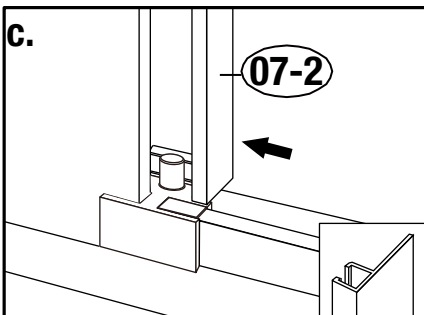
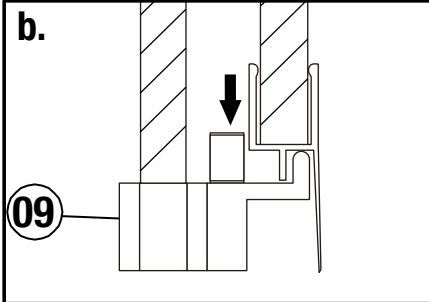
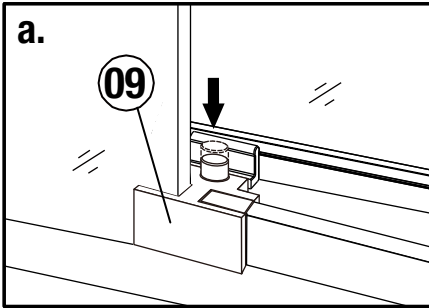
Drip Shield (11) Installation



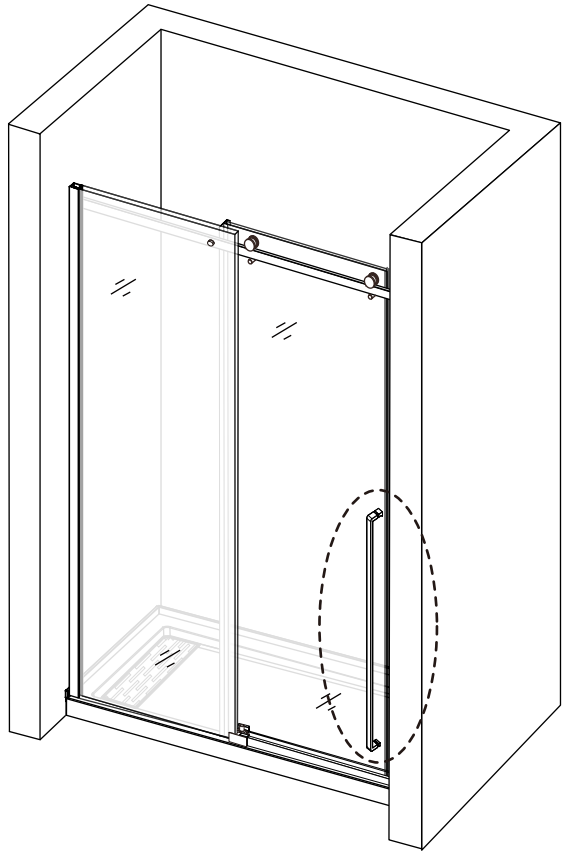
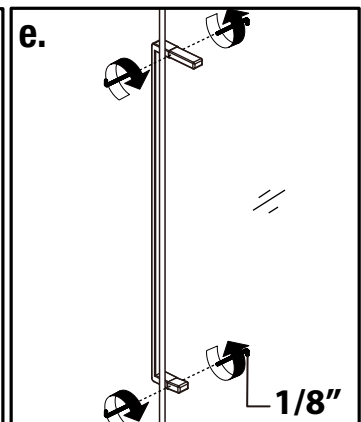
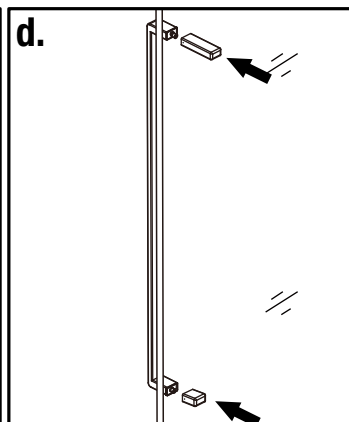
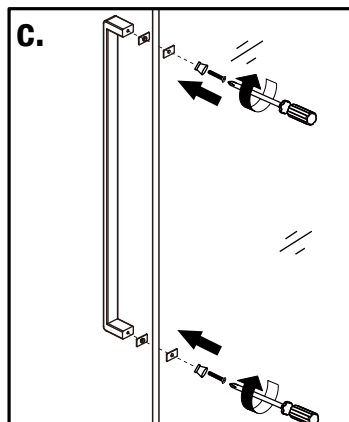
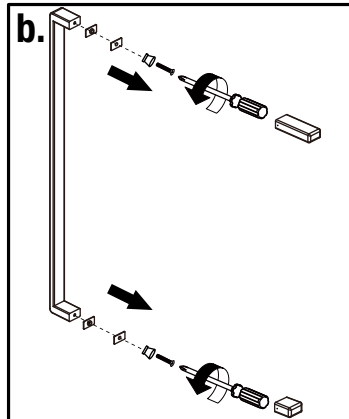
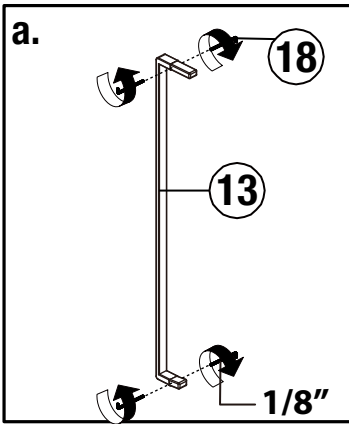
Anti-water Strip (12) Installation

NOTE

Press down the Door Guide (09) so that it hooks into the slot of the Bottom Anti-Water Strip (12).



Shower Door Handle (13) Installation

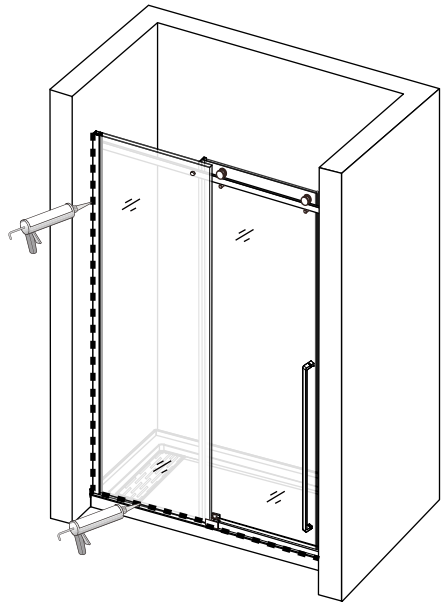
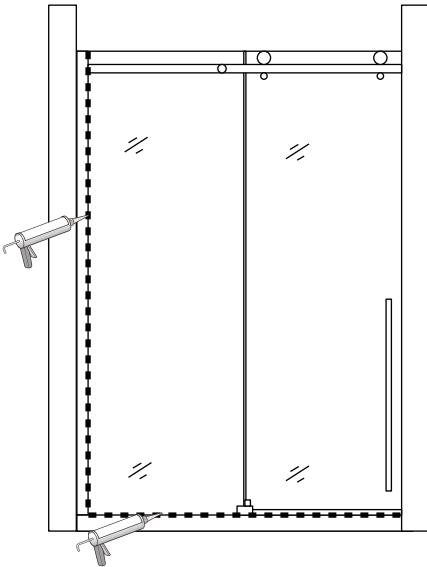


Silicone Seal

Apply silicone sealant on the seams between the Fixed Glass Panel and the shower base, and between the wall and the Fixed Glass Panel.



ALLOW SILICONE TO DRY FOR **24 HOURS** BEFORE USING THE SHOWER DOOR.



Thank you for choosing Morvano products!

Please do not hesitate to contact us if you have any questions or concerns.

Troubleshooting

Problem / Symptom	Suggested Solution
1. Missing Parts	A. Check all shipping/packaging material for missing parts/components.
2. Water Leakage	A. Check that the Inside Door Glass closes against the shower head side of the shower. B. Check that the vinyl insert is installed properly in the Bottom Rail. C. Check that a good quality, mold-resistant silicone has been used around the entire interior perimeter of the shower door.
3. Door Glass rubbing on threshold	A. Check that threshold is level. B. Check that roller wheels are tight and secure. Carefully remove Door Glass with a helper and adjust Roller Wheels if necessary.
4. Door Glass not closing evenly with wall profiles	A. Carefully remove the Door Glass with a helper and adjust one or both Roller Wheels to align the edge of the Door Glass with the Wall Profile.
5. Door Glass not tracking smoothly through Center Guide	A. Check that the Center Guide is installed correctly. If the Center Guide is moving, see instructions to secure the Center Guide to the Bottom Rail with a screw.
6. Door Glass not meeting bumpers correctly	A. Check that all three Bumpers are installed correctly and are installed on the correct sides of the shower opening.
7. Outside door difficult to move	A. Check to make sure the seal is not pinched. Push the seal downward to create an even seal with the glass.
8. Door Glass binds against Vinyl Insert in the Bottom Rail	A. Check the distance between front of either Door Glass and the bottom rail, then move the Door Glass to the other side of the shower and check the same measurement. If different, the Wall Profiles may need to be adjusted or reinstalled.