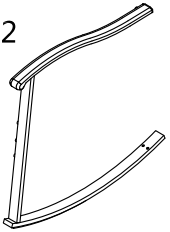

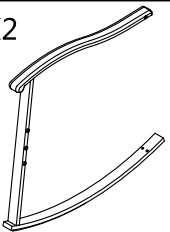

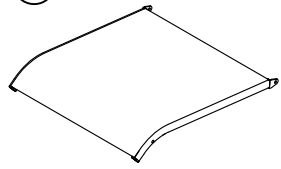
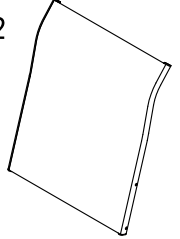
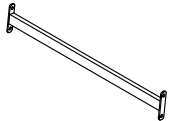

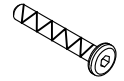





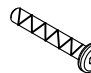

 <h1 style="text-align: center;">ROCKING CHAIR</h1> <h1 style="text-align: center;">X2</h1>		
A X2  <p style="text-align: right;">L</p>	B X2  <p style="text-align: right;">L</p>	C X2  <p style="text-align: right;">R</p>
D X2  <p style="text-align: right;">R</p>	E X2 	F X2 
G X2 	1 X20  M6*15	2 X20  M6*30
4 X40 	5 X1 	

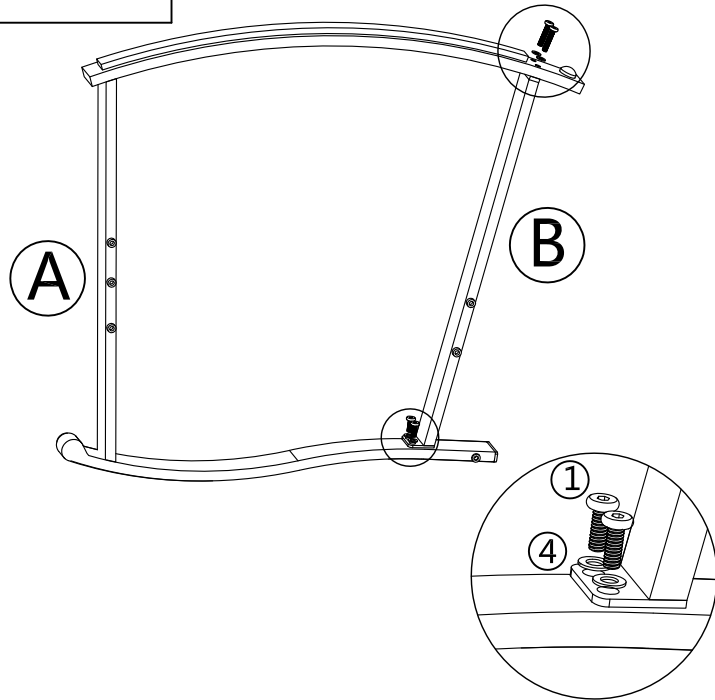
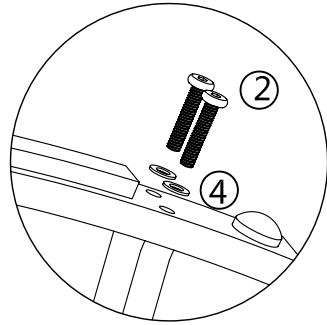
Dear Customers,

Thank you for purchasing our product. Please read this instruction manual carefully before attempting to install.

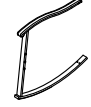


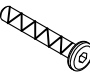

1

(A)	 X1 L
(B)	 X1 L
(1)	 X2
(2)	 X2
(4)	 X4

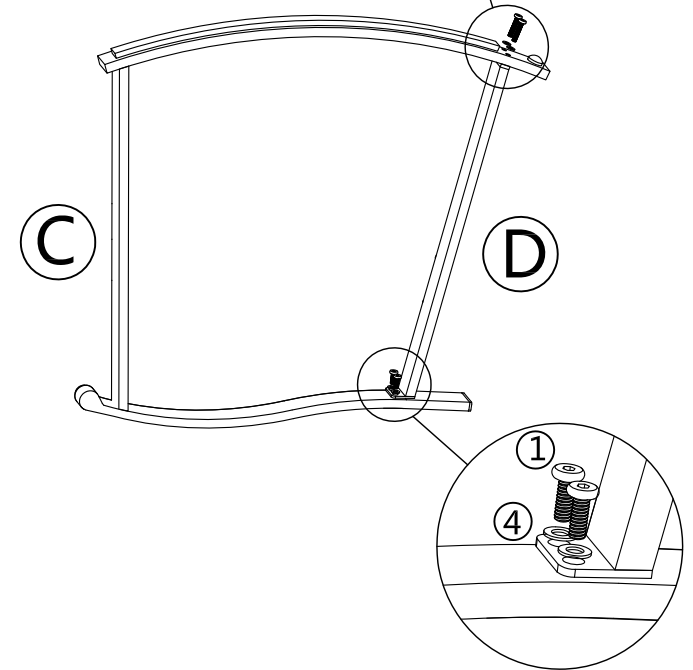
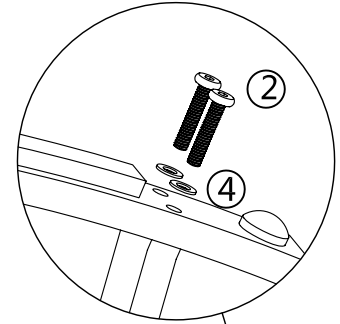
X2



2

(C)	 X1 R
(D)	 X1 R
(1)	 X2
(2)	 X2
(4)	 X4

X2



EN

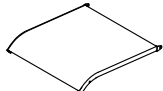

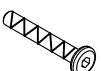

Note: During the assembly, please first half-tighten all the screws into the holes. After all the screws are set, fully tighten them.



EN

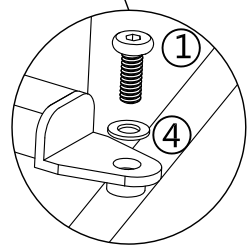
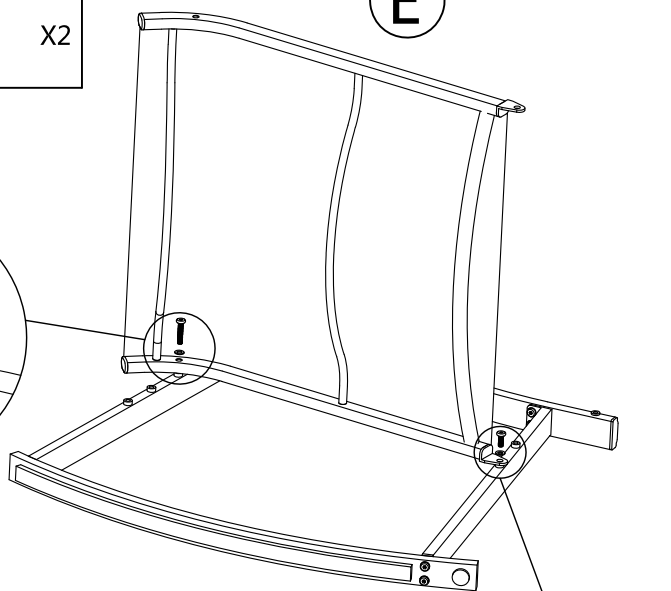
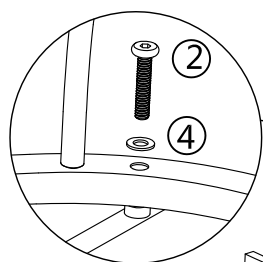
Note: During the assembly, please first half-tighten all the screws into the holes. After all the screws are set, fully tighten them.

3

Ⓔ	 X1
①	 X1
②	 X1
④	 X2

X2

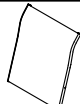
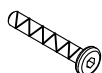

E



Note: During the assembly, please first half-tighten all the screws into the holes. After all the screws are set, fully tighten them.

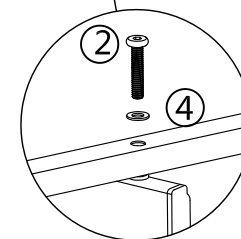
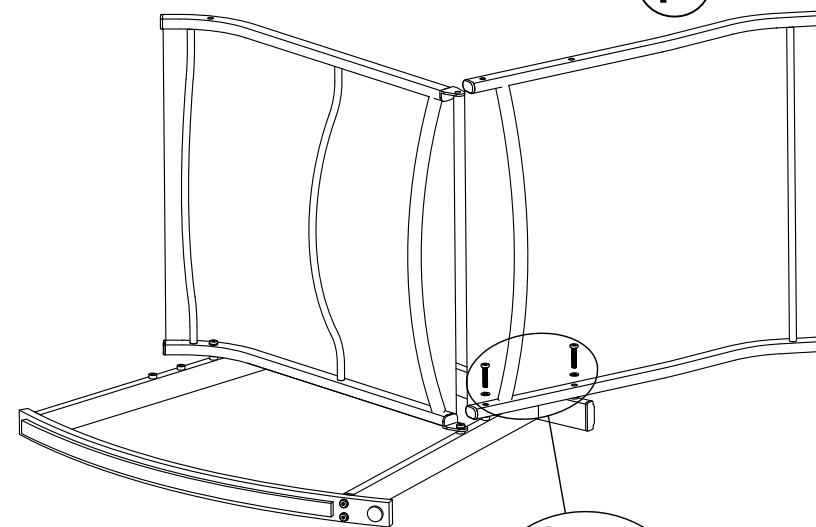
EN

4

Ⓕ	 X1
②	 X2
④	 X2

X2


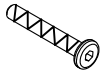

F



Note: During the assembly, please first half-tighten all the screws into the holes. After all the screws are set, fully tighten them.

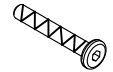

EN

5

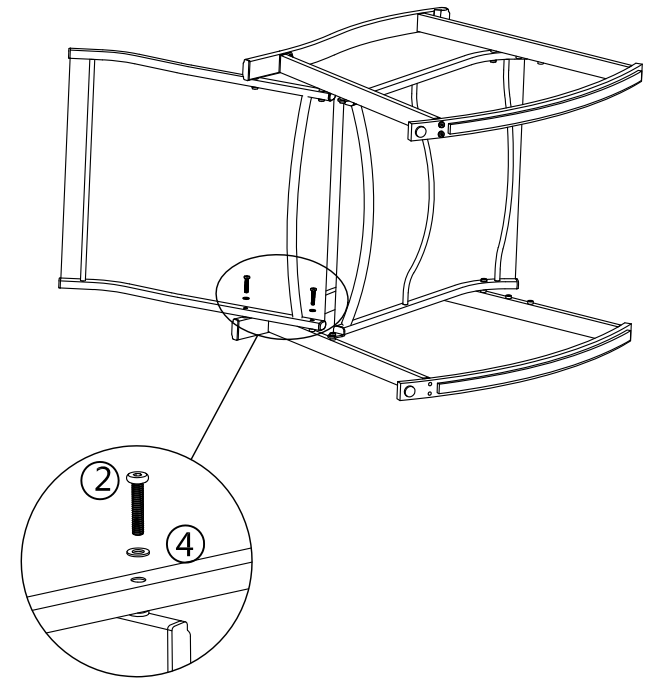
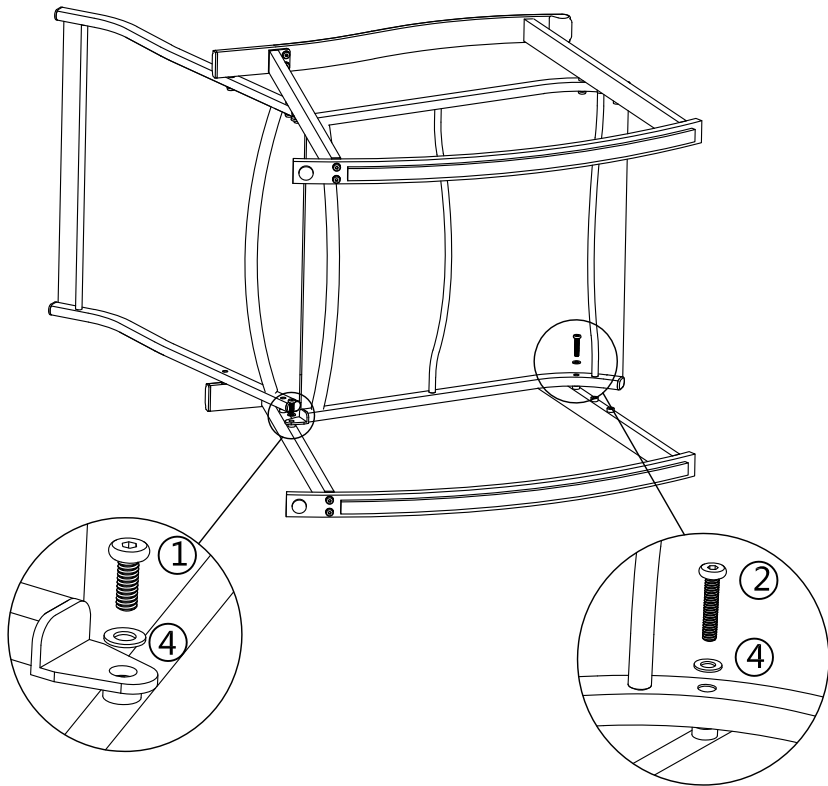
①		X1
②		X1
④		X2

X2

6

②		X2
④		X2

X2



EN

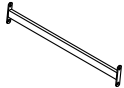


Note: During the assembly, please first half-tighten all the screws into the holes. After all the screws are set, fully tighten them.



EN

Note: During the assembly, please first half-tighten all the screws into the holes. After all the screws are set, fully tighten them.

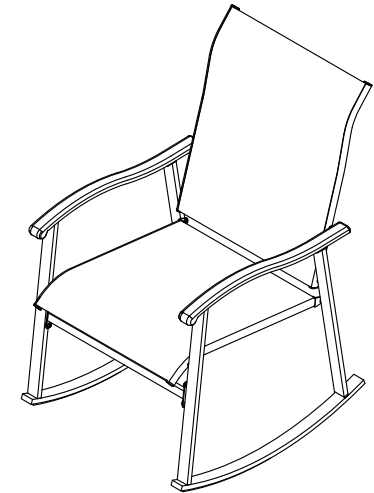
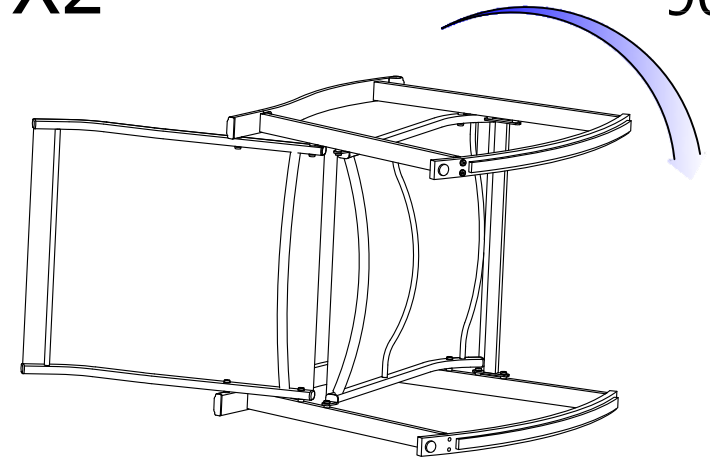
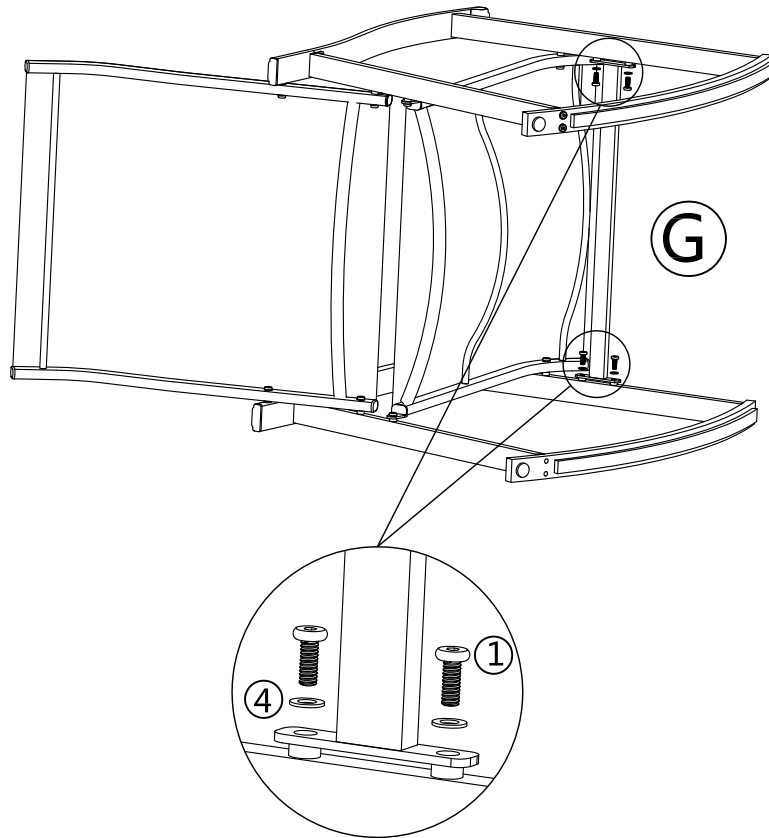
7

Ⓒ		X1
①		X4
④		X4

X2

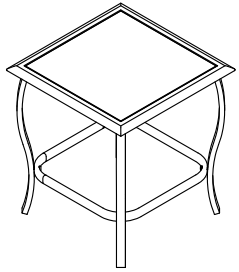
X2

90°



EN

Note: During the assembly, please first half-tighten all the screws into the holes. After all the screws are set, fully tighten them.



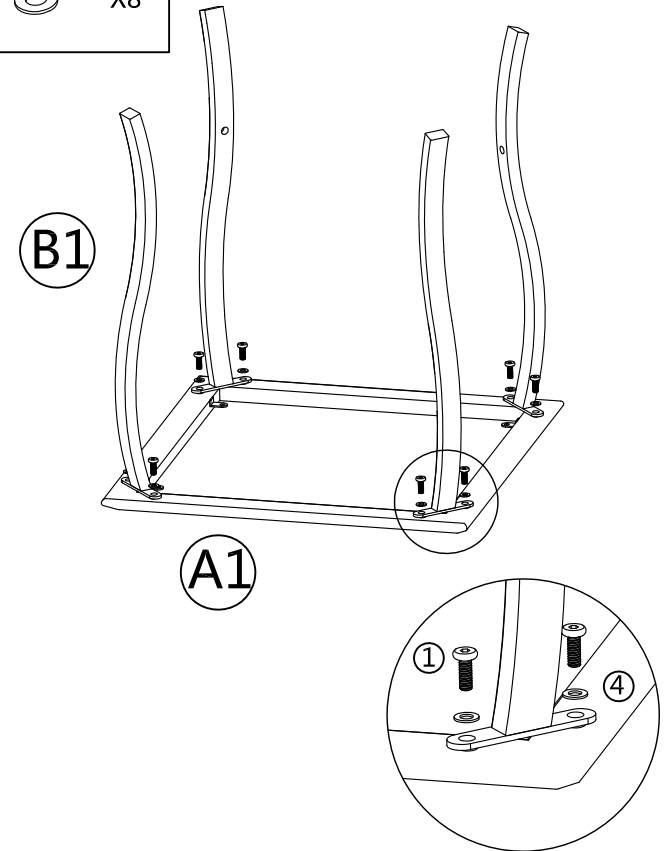
COFFEE TABLE

X1

<p>A1</p>	<p>B1</p>	<p>C1</p>
<p>① X8</p> <p>M6*15</p>	<p>③ X4</p> <p>M6*20</p>	<p>④ X12</p>
<p>⑤ X1</p>		

1

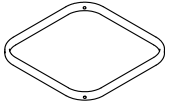
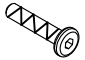

<p>A1</p>	
<p>B1</p>	
<p>①</p>	X8
<p>④</p>	X8

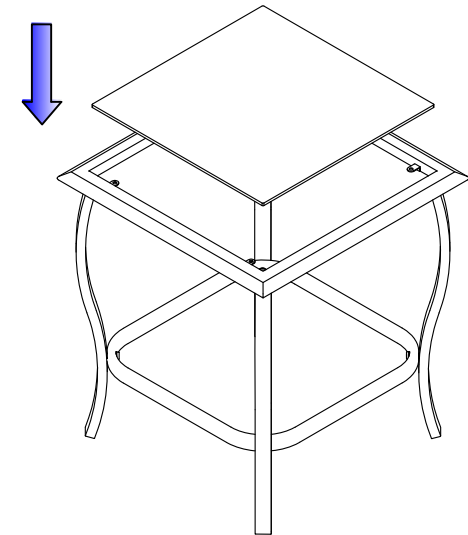
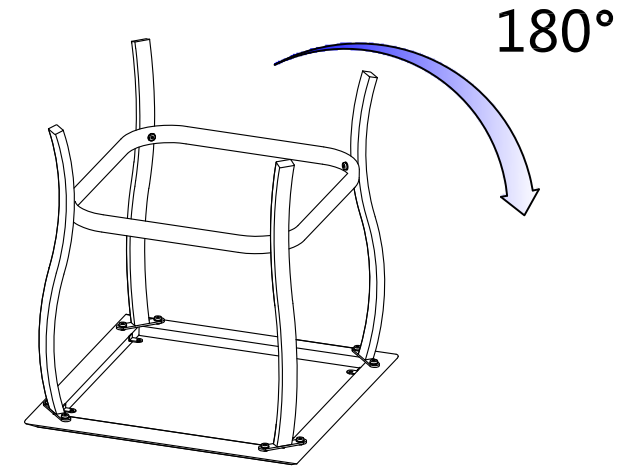
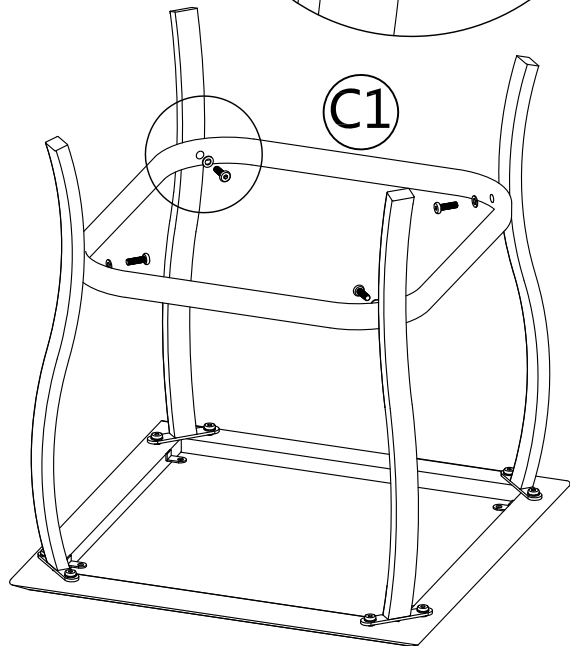
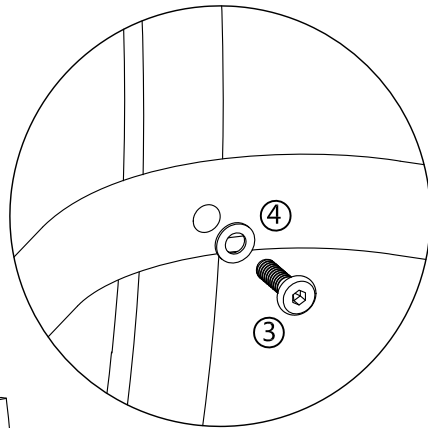


Note: During the assembly, please first half-tighten all the screws into the holes. After all the screws are set, fully tighten them.

EN

2

C1	
3	 X4
4	 X4



EN

Note: During the assembly, please first half-tighten all the screws into the holes. After all the screws are set, fully tighten them.