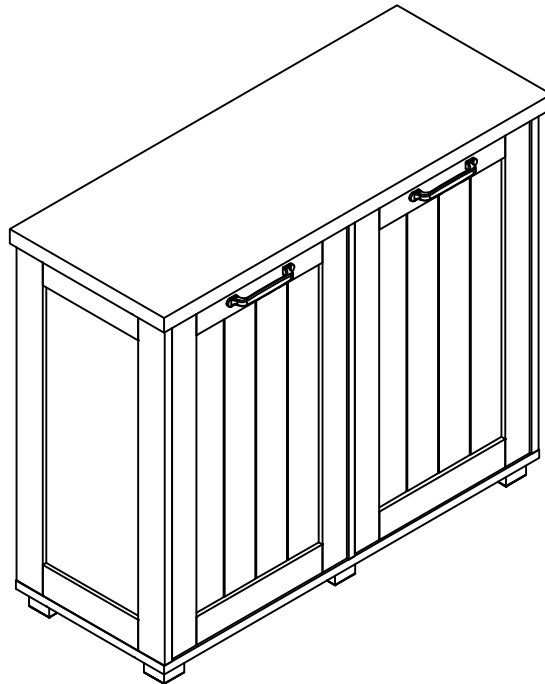


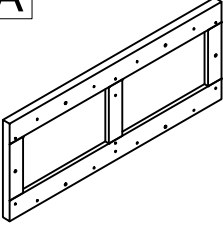
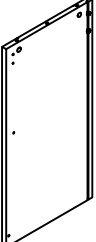
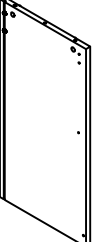


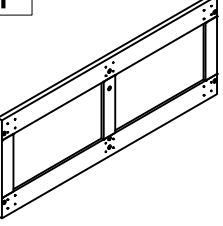
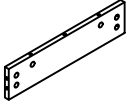
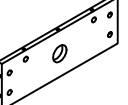
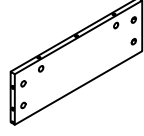
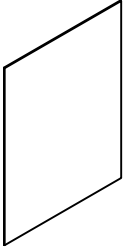
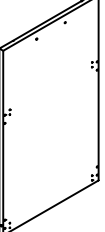
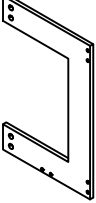
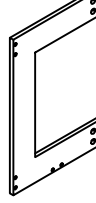
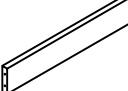
Two Door Waste Cabinet

CBN064B77

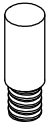





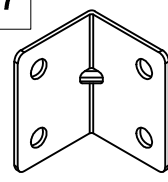

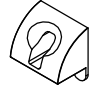

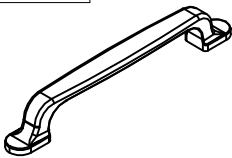
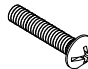
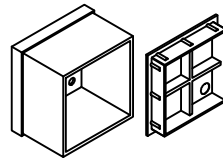
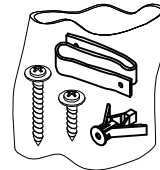
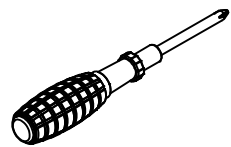


If you have any questions, please feel free to contact us via email: AwevscoHelp@outlook.com

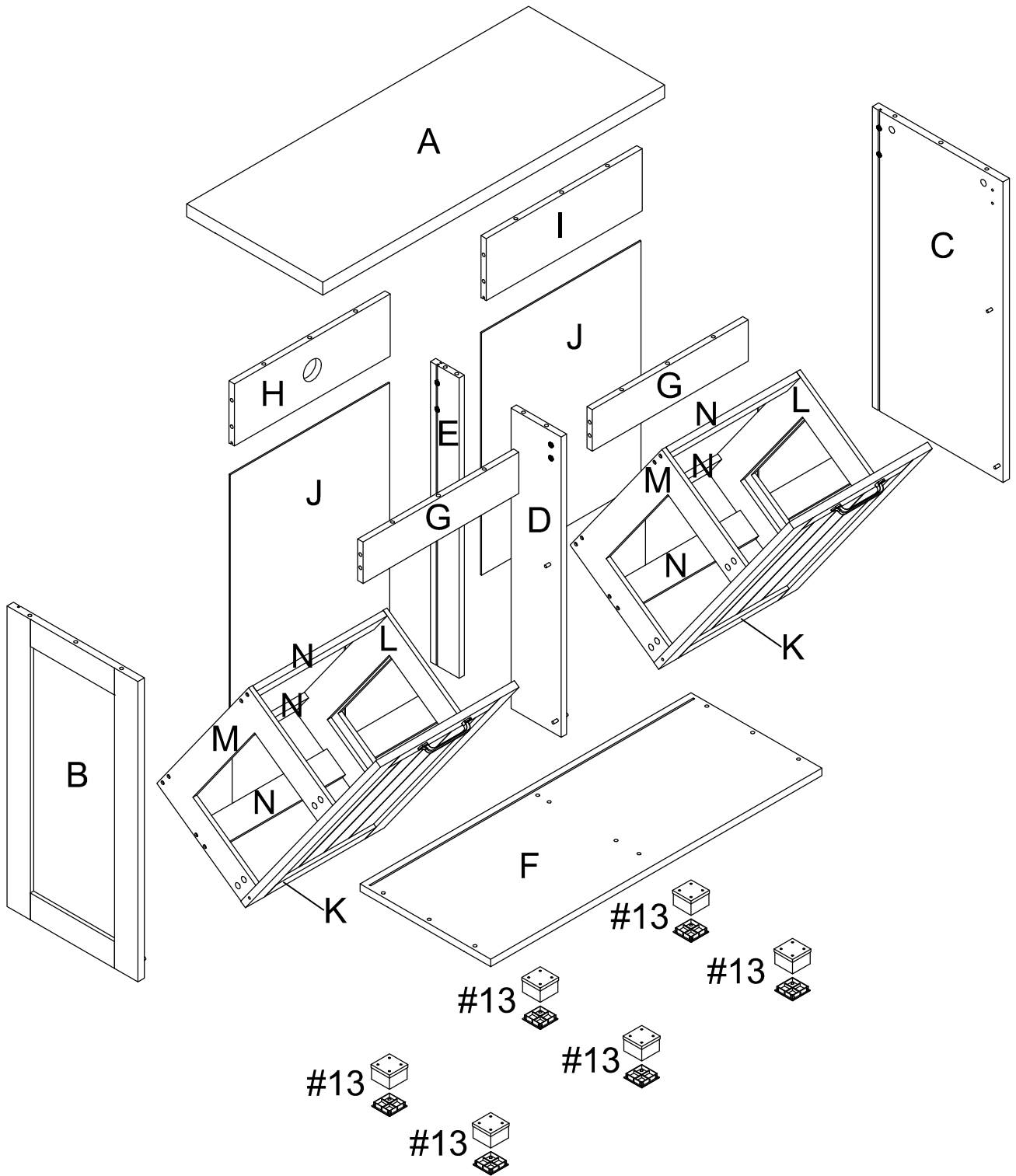
PART LIST

				
<p>Top Panel 1 PC</p>	<p>Left Panel 1 PC</p>	<p>Right Panel 1 PC</p>	<p>Front Partition Panel 1 PC</p>	<p>Rear Partition Panel 1 PC</p>
				
<p>Bottom Panel 1 PC</p>	<p>Front Upper Rail 2 PCS</p>	<p>Back Upper Rail-L 1 PC</p>	<p>Back Upper Rail-R 1 PC</p>	<p>Back Panel 2 PCS</p>
				
<p>Wooden Box Door 2 PCS</p>	<p>Wooden Box Left Panel 2 PCS</p>	<p>Wooden Box Right Panel 2 PCS</p>	<p>Wooden Box Rail 6 PCS</p>	

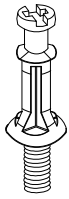
HARDWARE LIST

<p>#1</p>  <p>M5*18mm</p> <p>Round Screw</p> <p>8 PCS (Extra 2)</p>	<p>#2</p>  <p>Ø8*30mm</p> <p>Wood Dowel</p> <p>8PCS (Extra 2)</p>	<p>#3</p>  <p>Ø3.5*35mm</p> <p>Screw</p> <p>24PCS (Extra 3)</p>	<p>#4</p>  <p>Ø6*35mm</p> <p>Cam-bolt</p> <p>48PCS (Extra 3)</p>	<p>#5</p>  <p>Ø15*9mm</p> <p>Cam-lock</p> <p>48PCS(Extra 3)</p>
<p>#6</p>  <p>Ø7*48mm</p> <p>Screw</p> <p>8 PCS (Extra 1)</p>	<p>#7</p>  <p>24*24*32*1.2mm</p> <p>Angle Iron</p> <p>8 PCS</p>	<p>#8</p>  <p>Ø3.5*12mm</p> <p>Screw</p> <p>32 PCS (Extra 4)</p>	<p>#9</p>  <p>Back Bracket</p> <p>10 PCS(Extra 2)</p>	<p>#10</p>  <p>Ø3.5*15mm</p> <p>Screw</p> <p>34 PCS (Extra 3)</p>
<p>#11</p>  <p>Handle</p> <p>2 PCS</p>	<p>#12</p>  <p>M4*22mm</p> <p>Round Head Bolt</p> <p>4 PCS (Extra 1)</p>	<p>#13</p>  <p>Foot Pad</p> <p>6 PCS</p>	<p>#14</p>  <p>Safety Strap Kit</p> <p>2 SET</p>	 <p>Phillips Screwdriver</p> <p>1 PC</p>

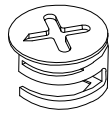
ASSEMBLY OVERVIEW



Instructions For Fastening CAM-BOLT and CAM-LOCK

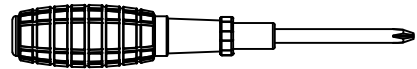


CAM-BOLT

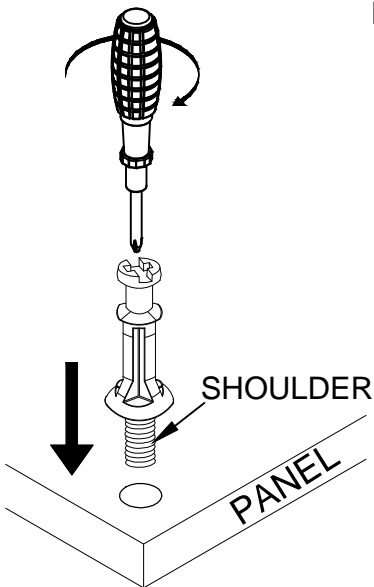


CAM-LOCK

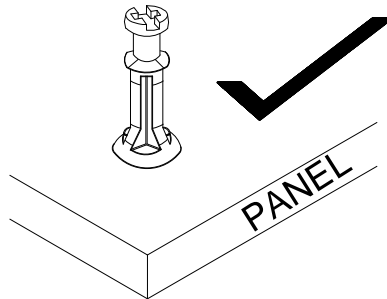
Tools Required



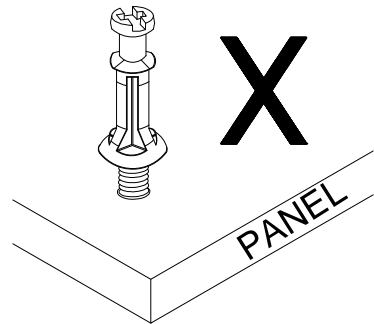
INSERTING AND TIGHTENING CAM-BOLT



Place Cam-bolt on pre-drilled hole and screw in vertically



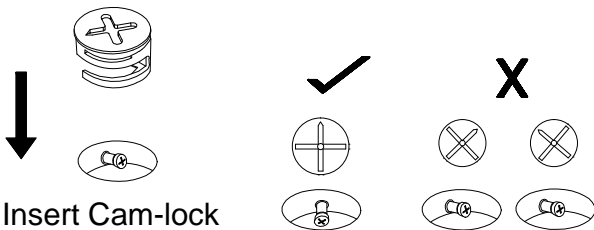
Shoulder is flushed (on the same level) with the panel.



Shoulder is above the panel.

Place Cam-bolt on the designated pre-drilled holes on the panel. Use a Phillips Screwdriver to screw-in Cam-bolt vertically until shoulder is flushed (on the same level) with panel.

INSERTING CAM-LOCK



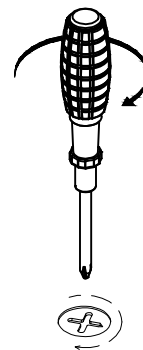
Insert Cam-lock with arrow align to Cam-bolt head

CORRECT

WRONG

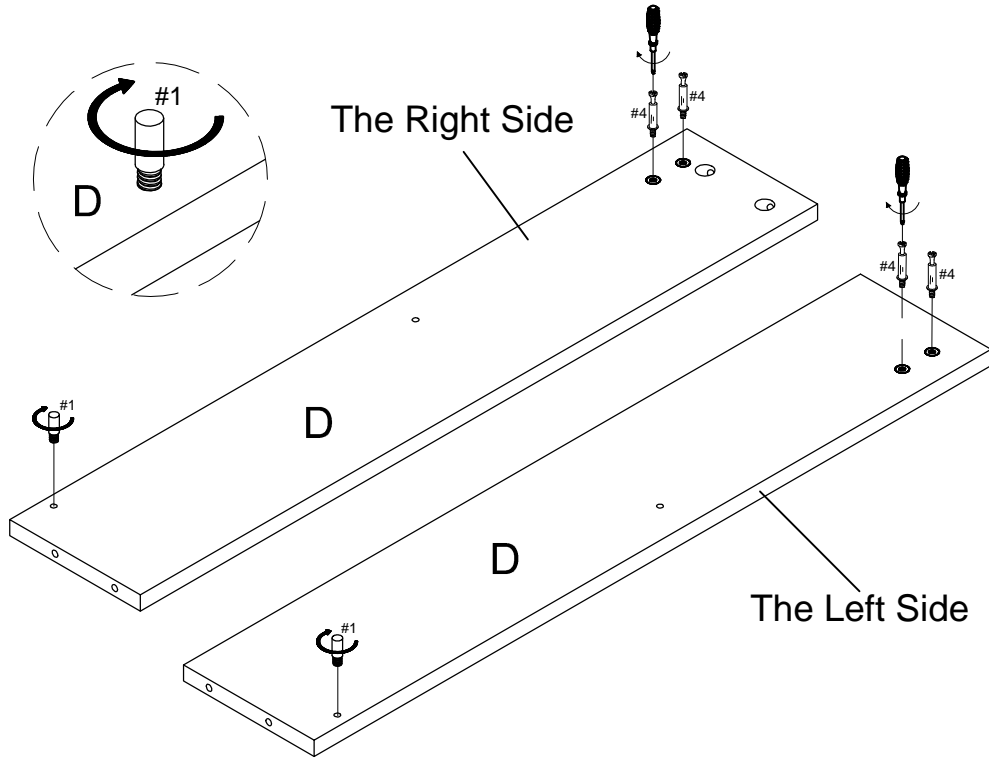
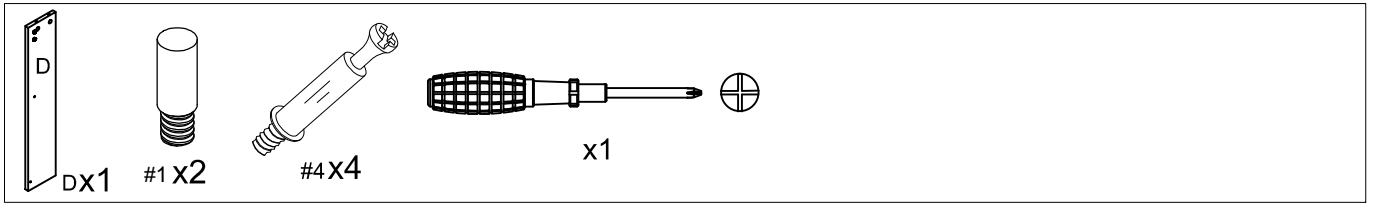
Align the arrow on the Cam-lock to the Cam-bolt head and insert the Cam-lock. Ensure Cam-lock is fully inserted.

TIGHTENING CAM-LOCK

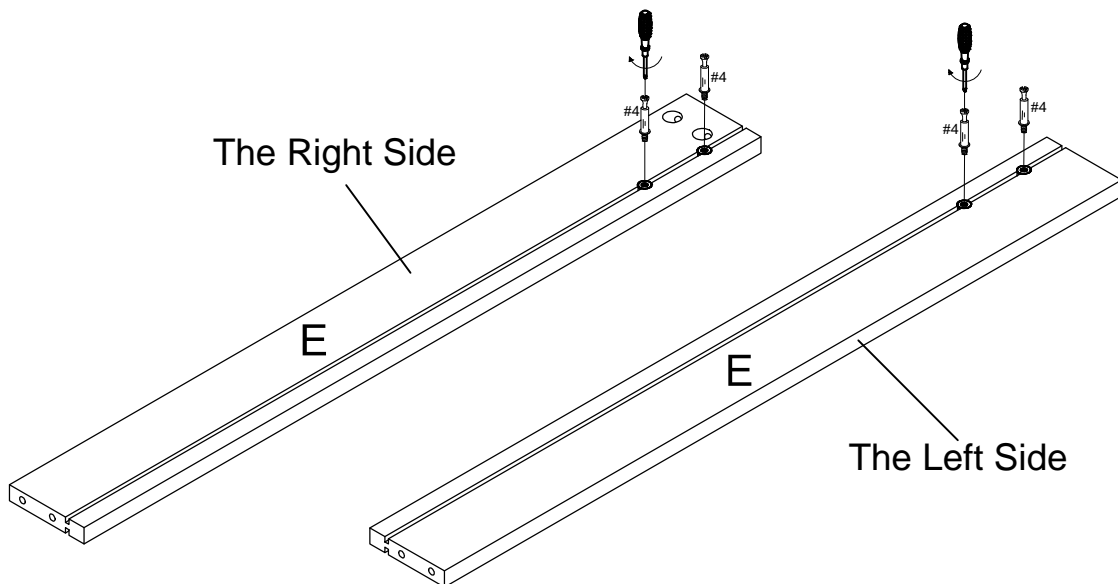
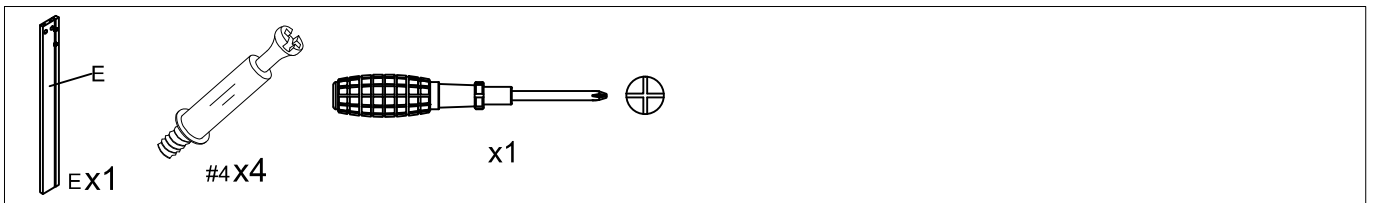


Use a Flat-head Screwdriver to turn Camlock clockwise so it locks onto the head of the Cam-bolt. Turn until it is snug (about 3/4ths of a turn) -- over-tightening could damage Cam-lock or/and Cam-bolt.

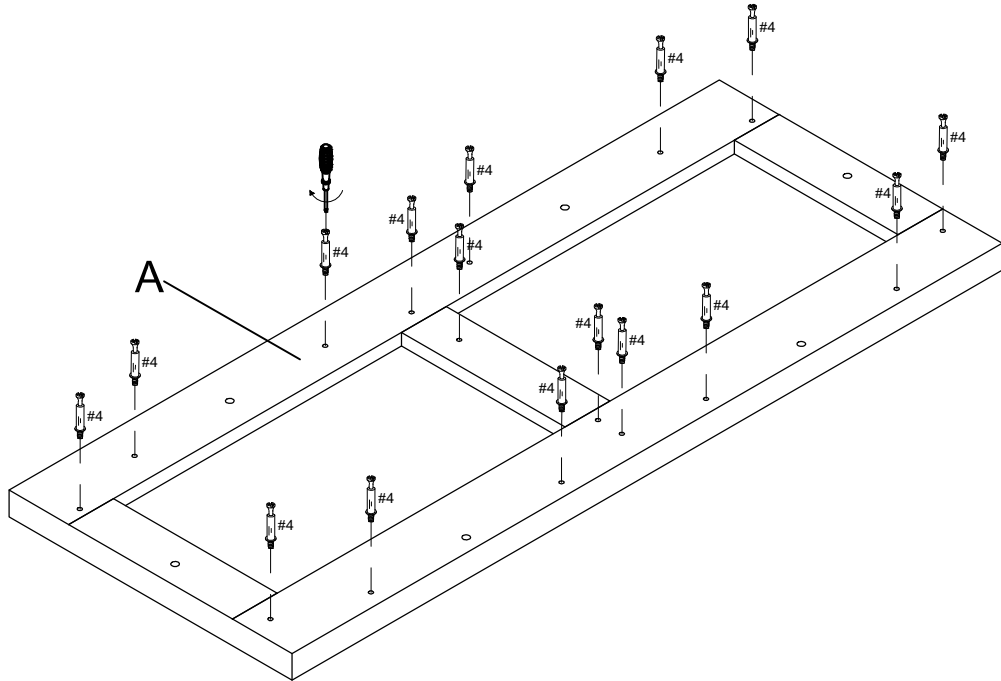
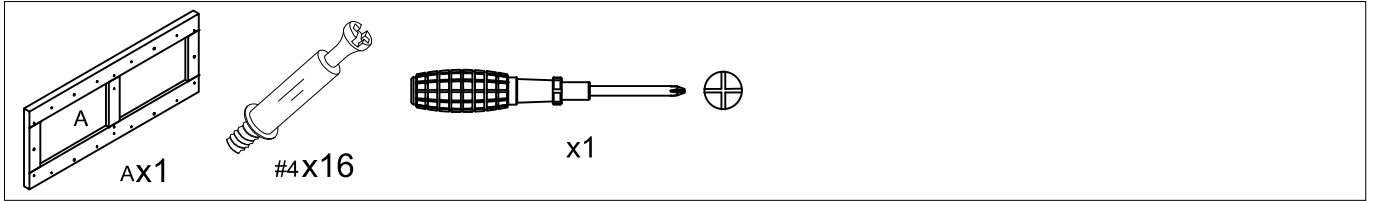
Step 1.



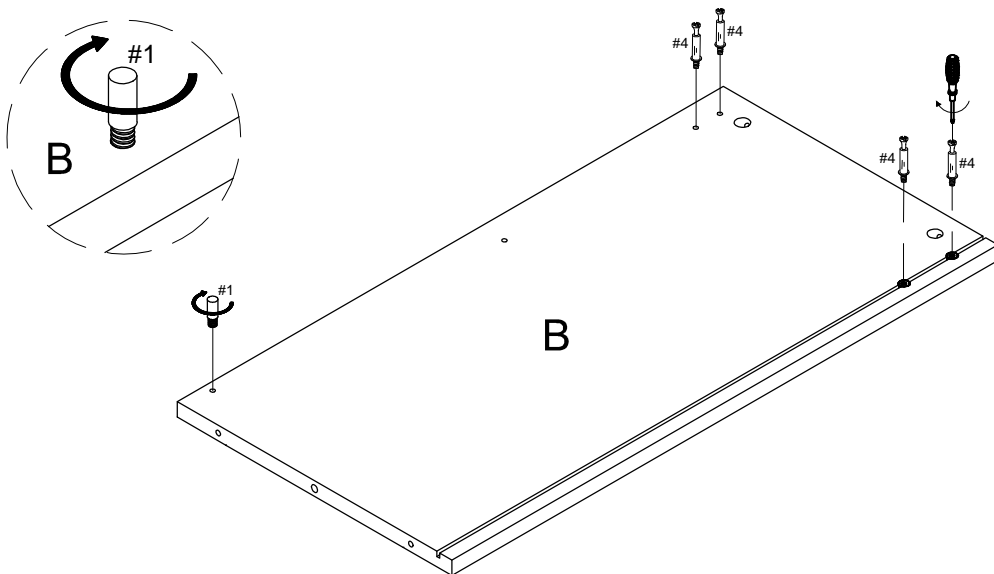
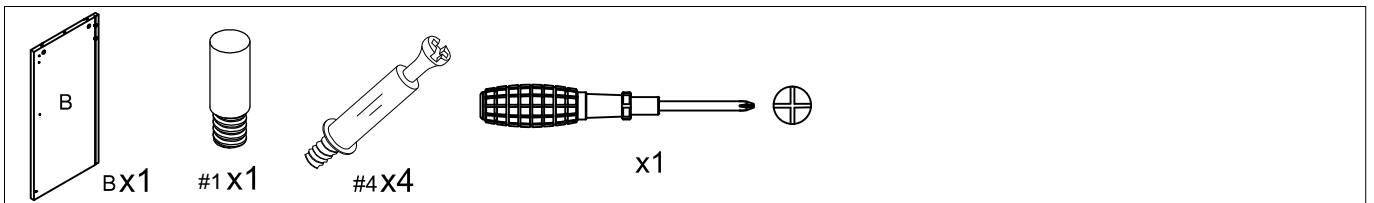
Step 2.



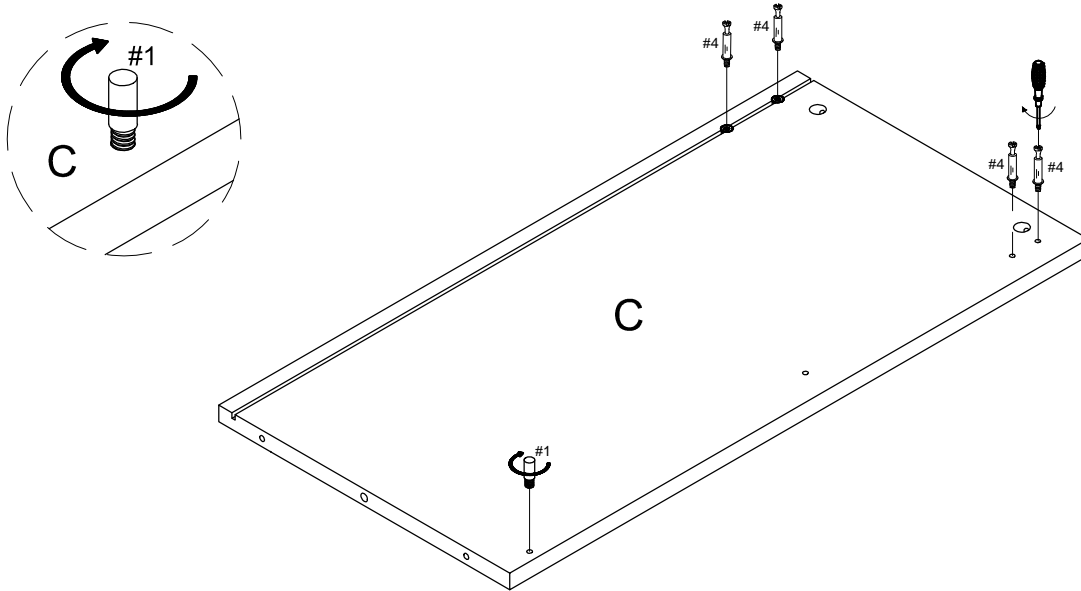
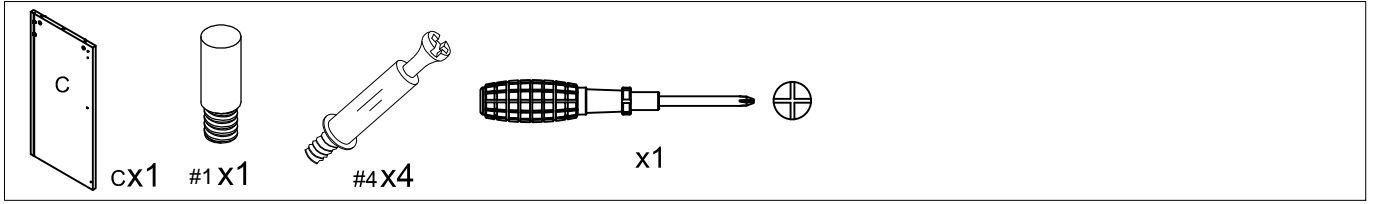
Step 3.



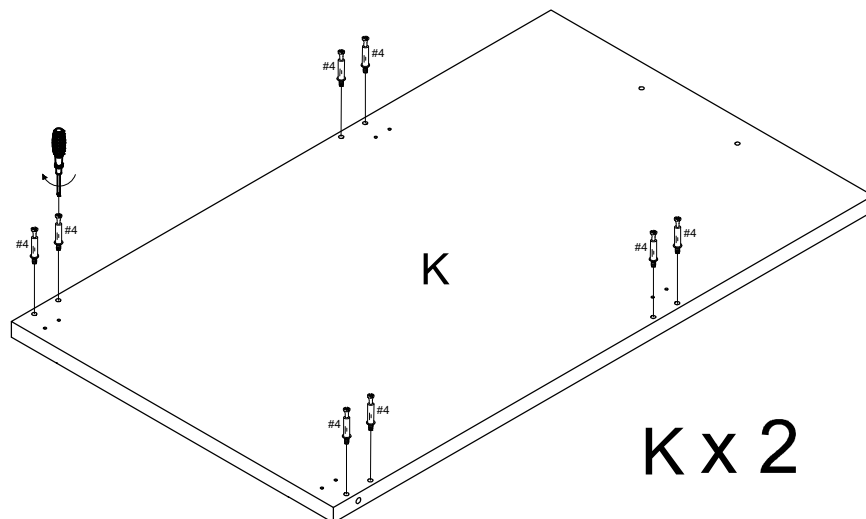
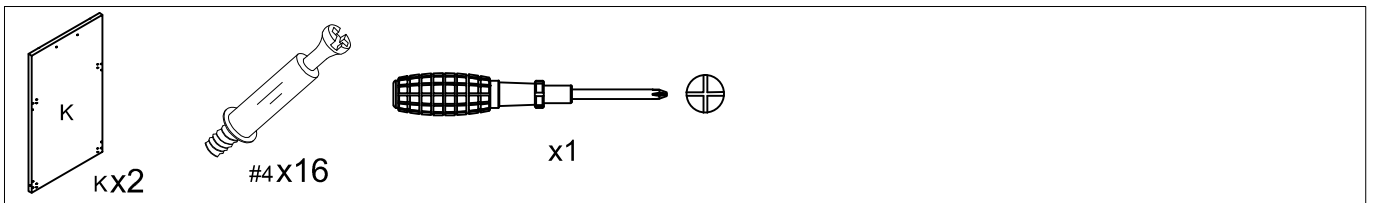
Step 4.



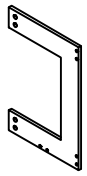
Step 5



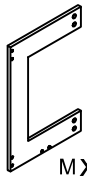
Step 6.



Step 7.



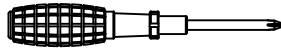
LX2



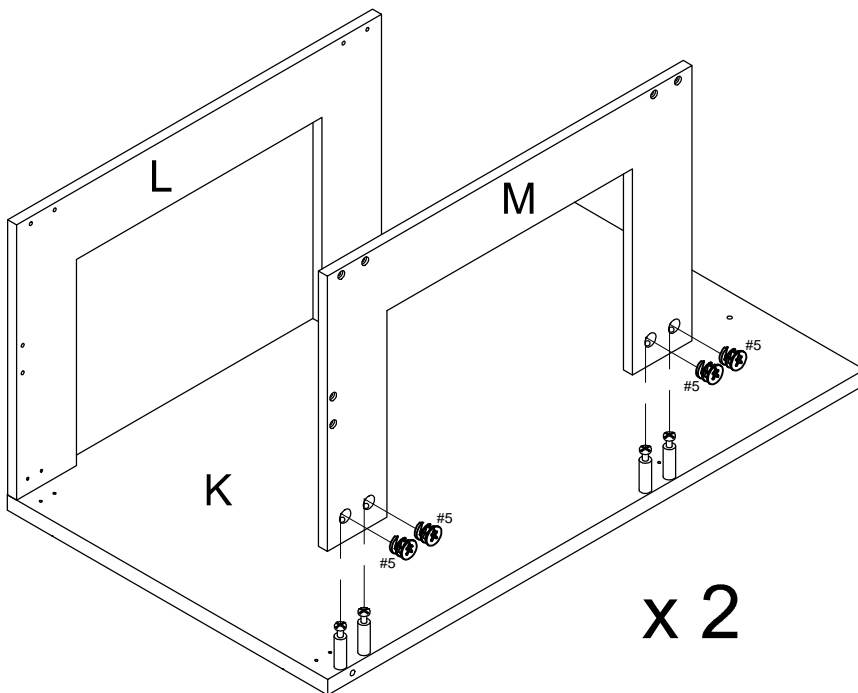
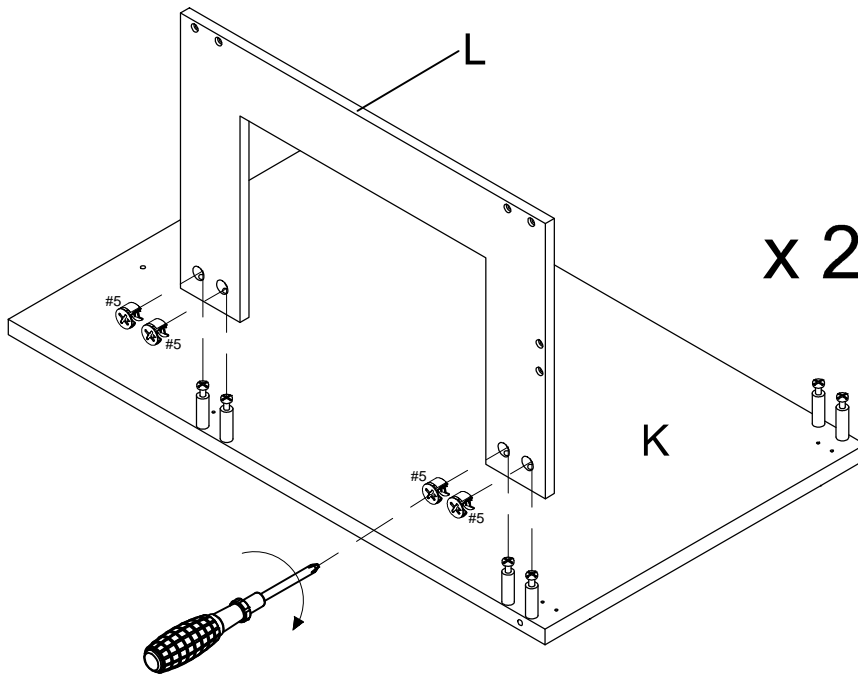
MX2



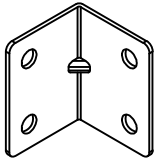
#5X16



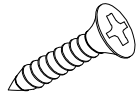
x1



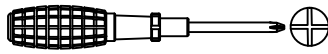
Step 8.



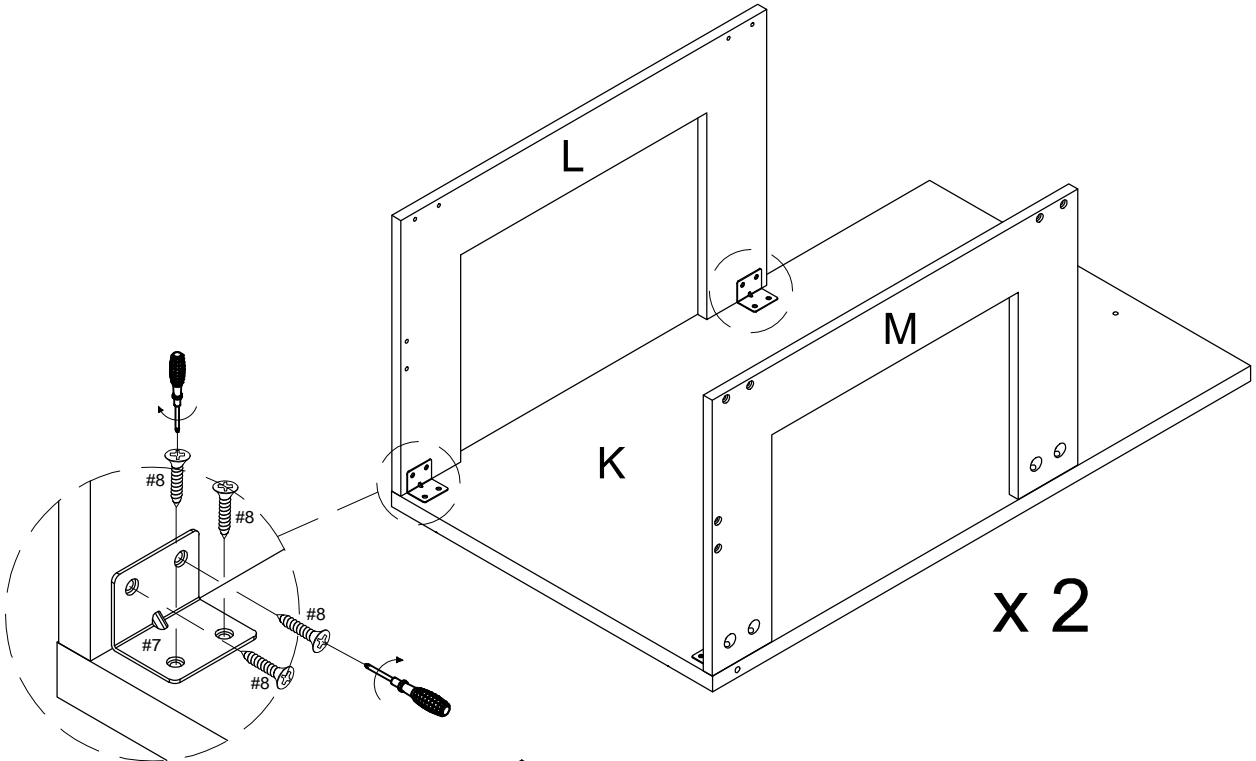
#7x8



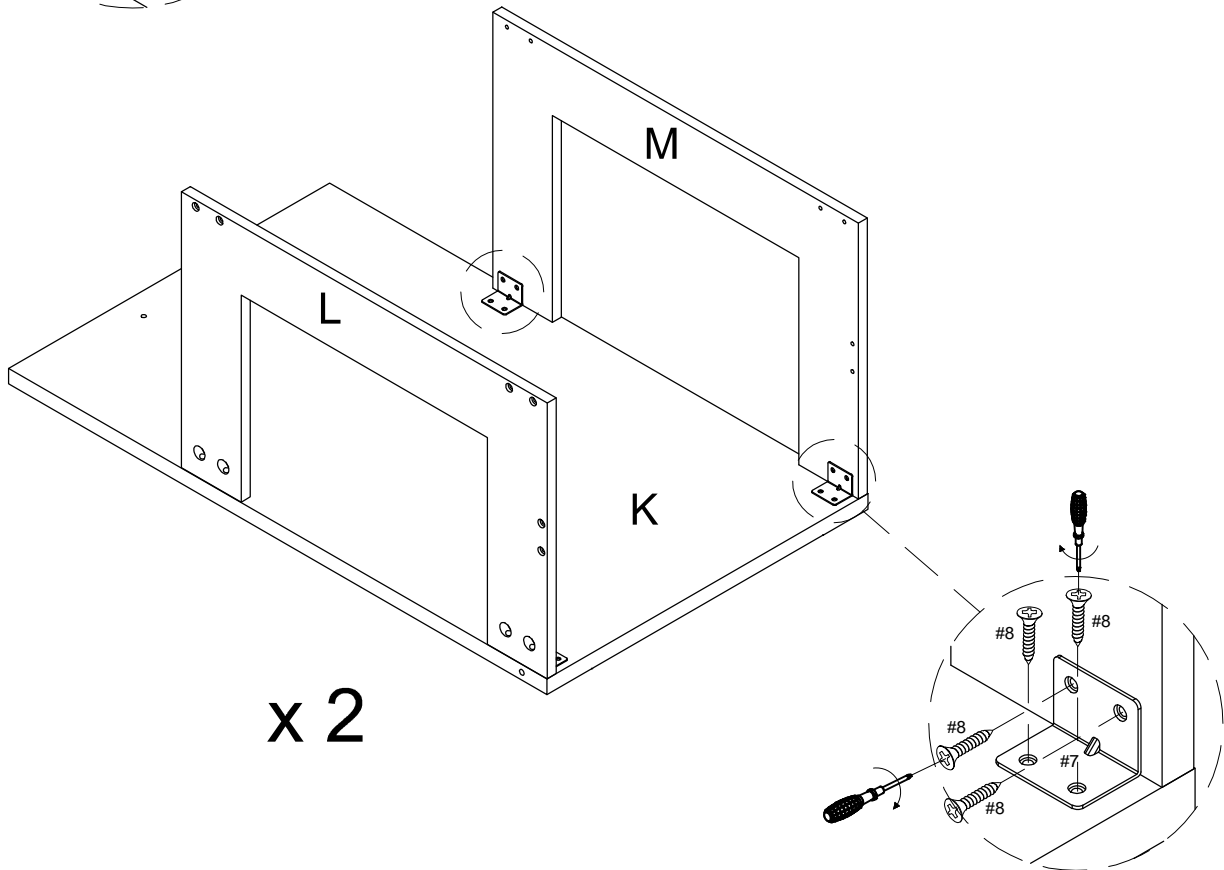
#8 x32



x1

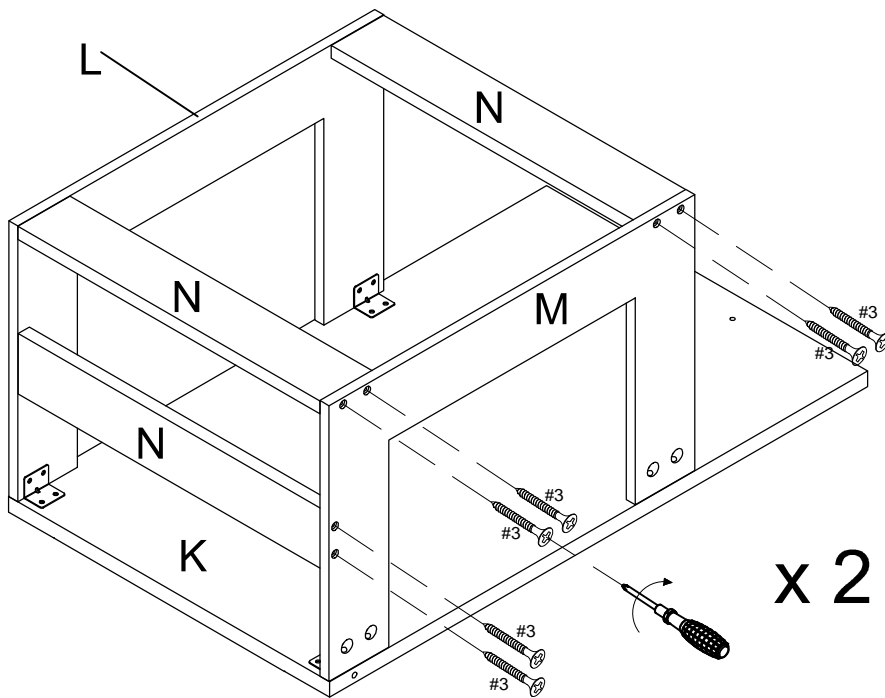
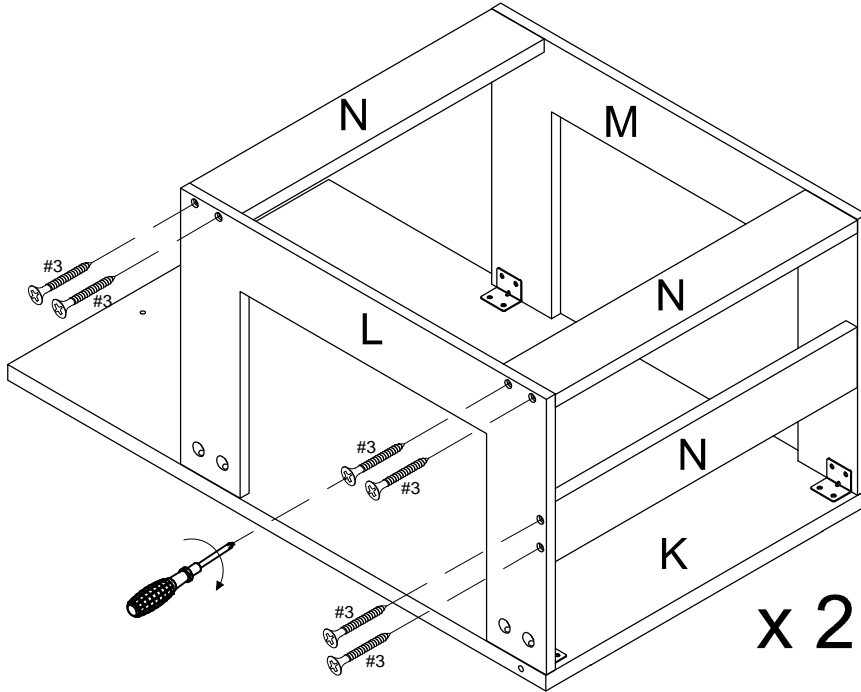
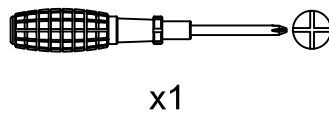
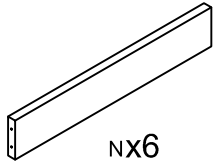


x 2



x 2

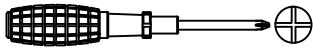
Step 9.



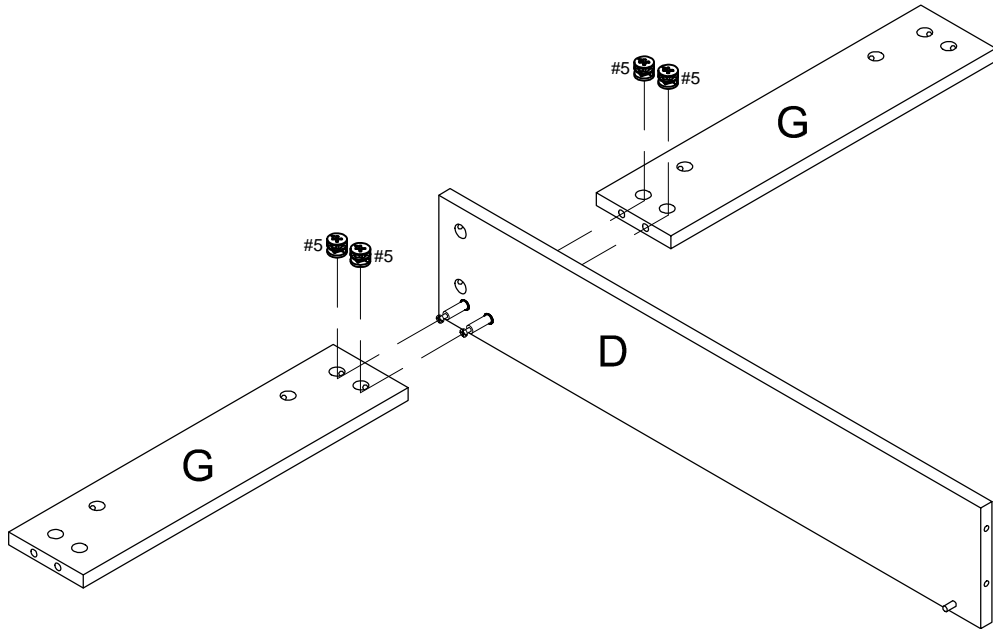
Step 10.



#5X4



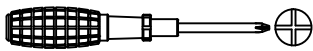
x1



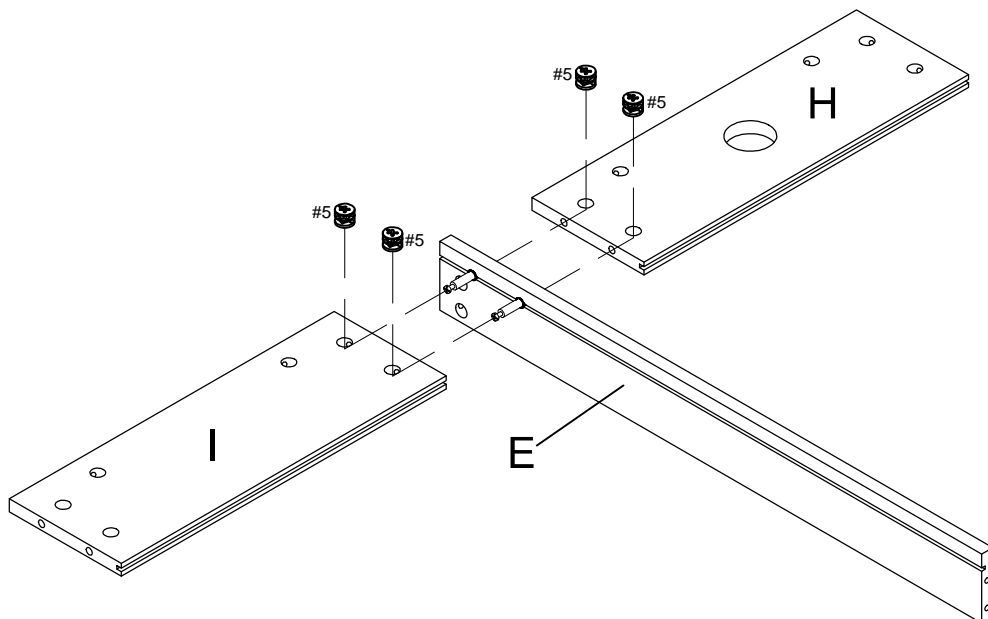
Step 11.



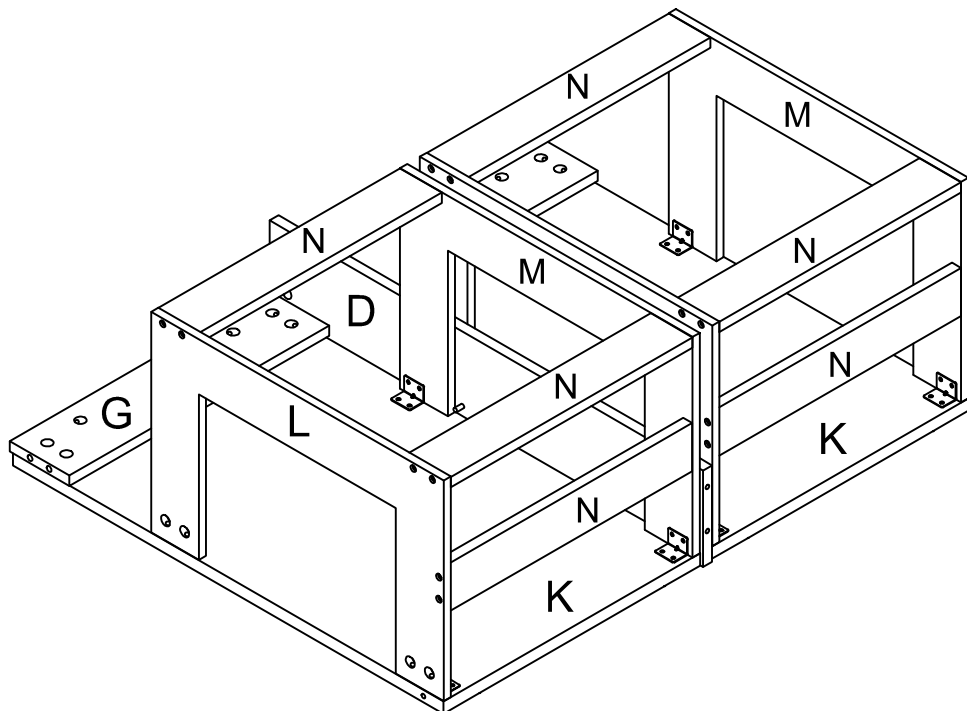
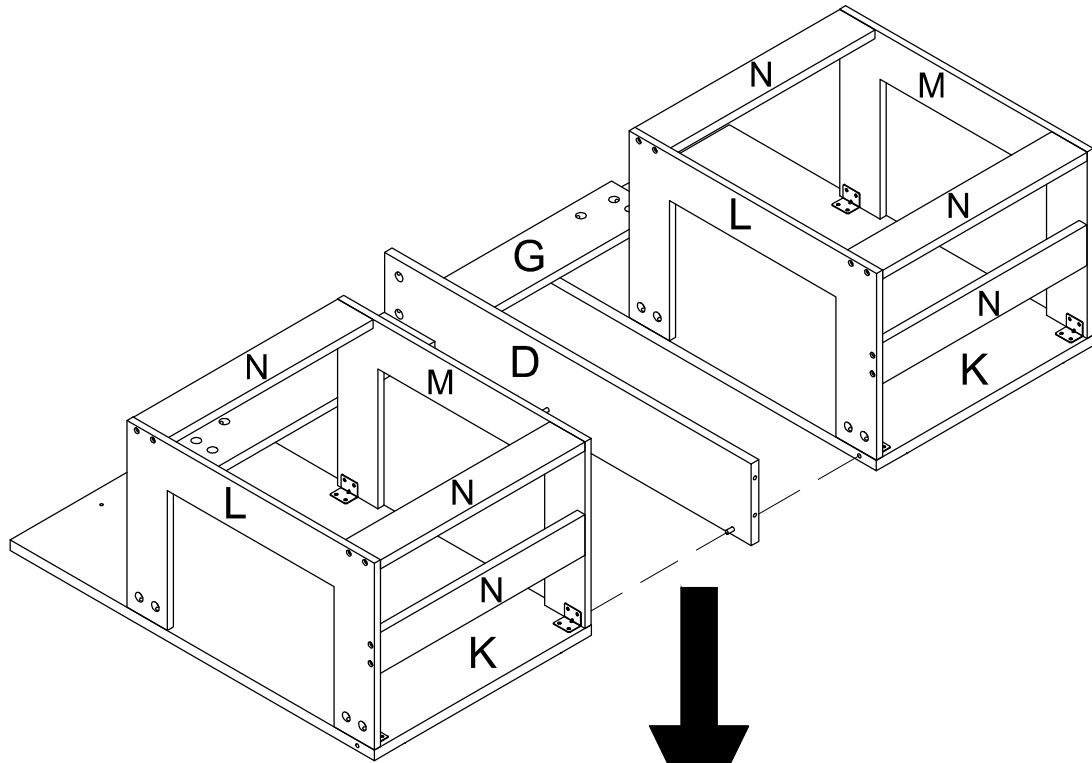
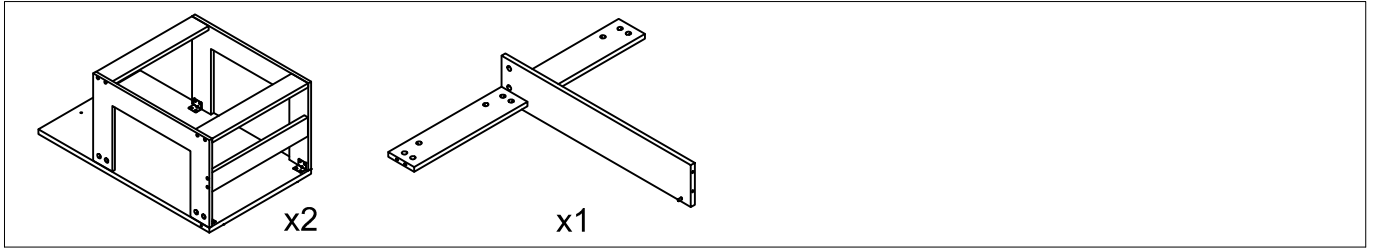
#5X4



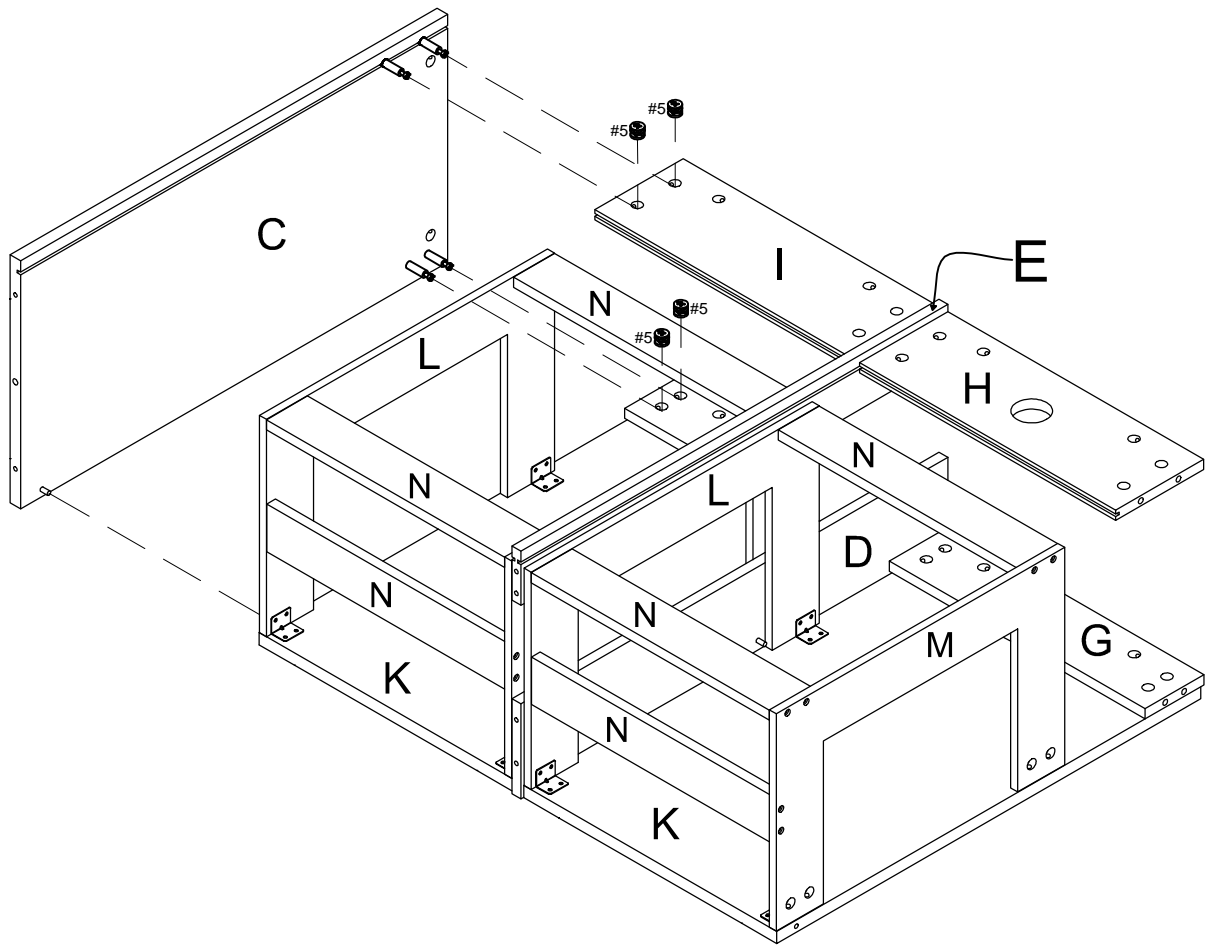
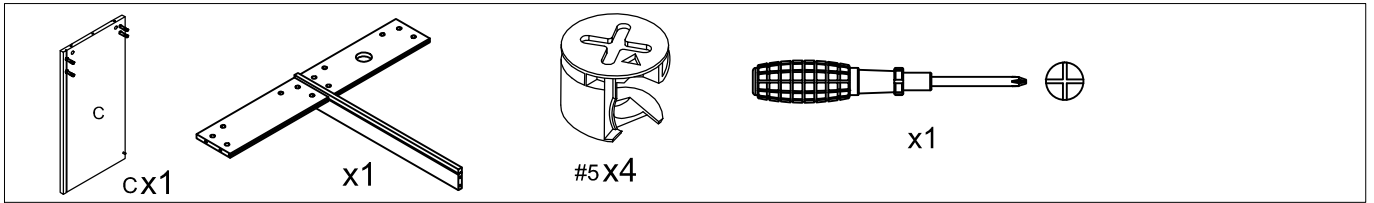
x1



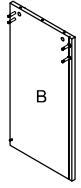
Step 12.



Step 13.



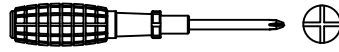
Step 14.



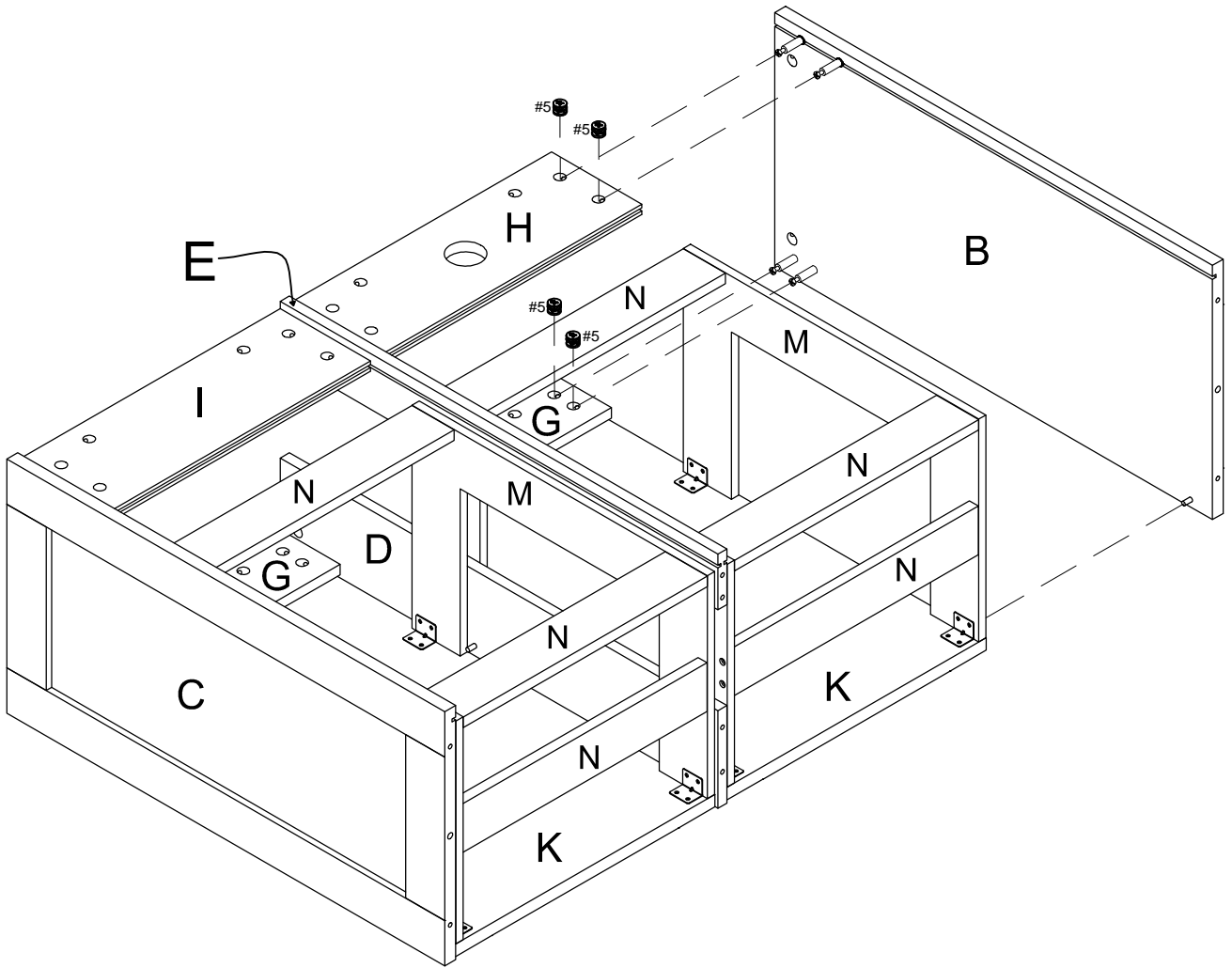
BX1



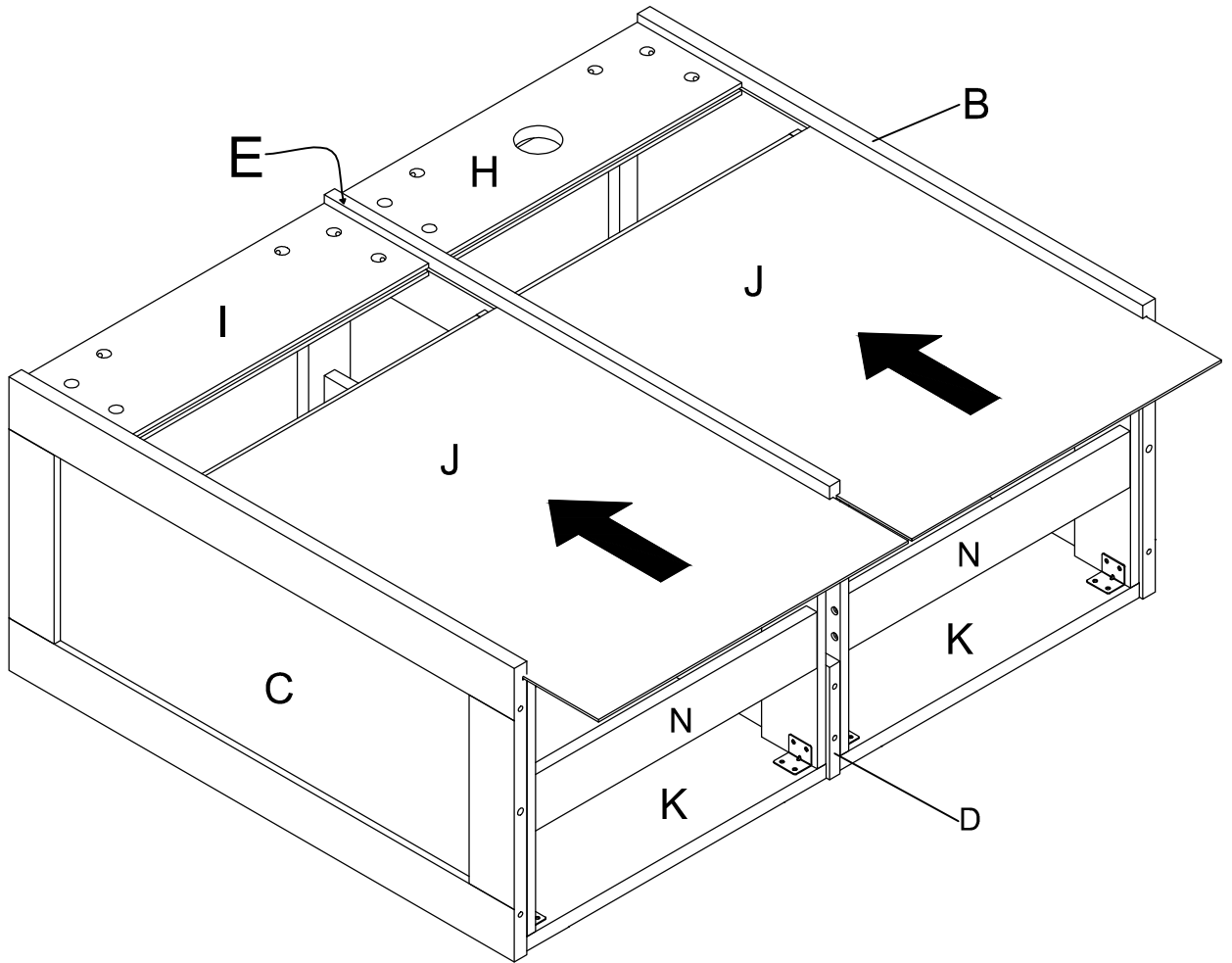
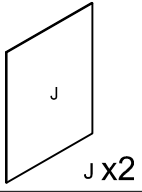
#5X4



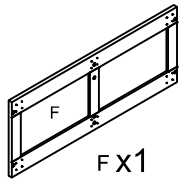
x1



Step 15.



Step 16.



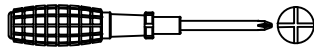
F X1



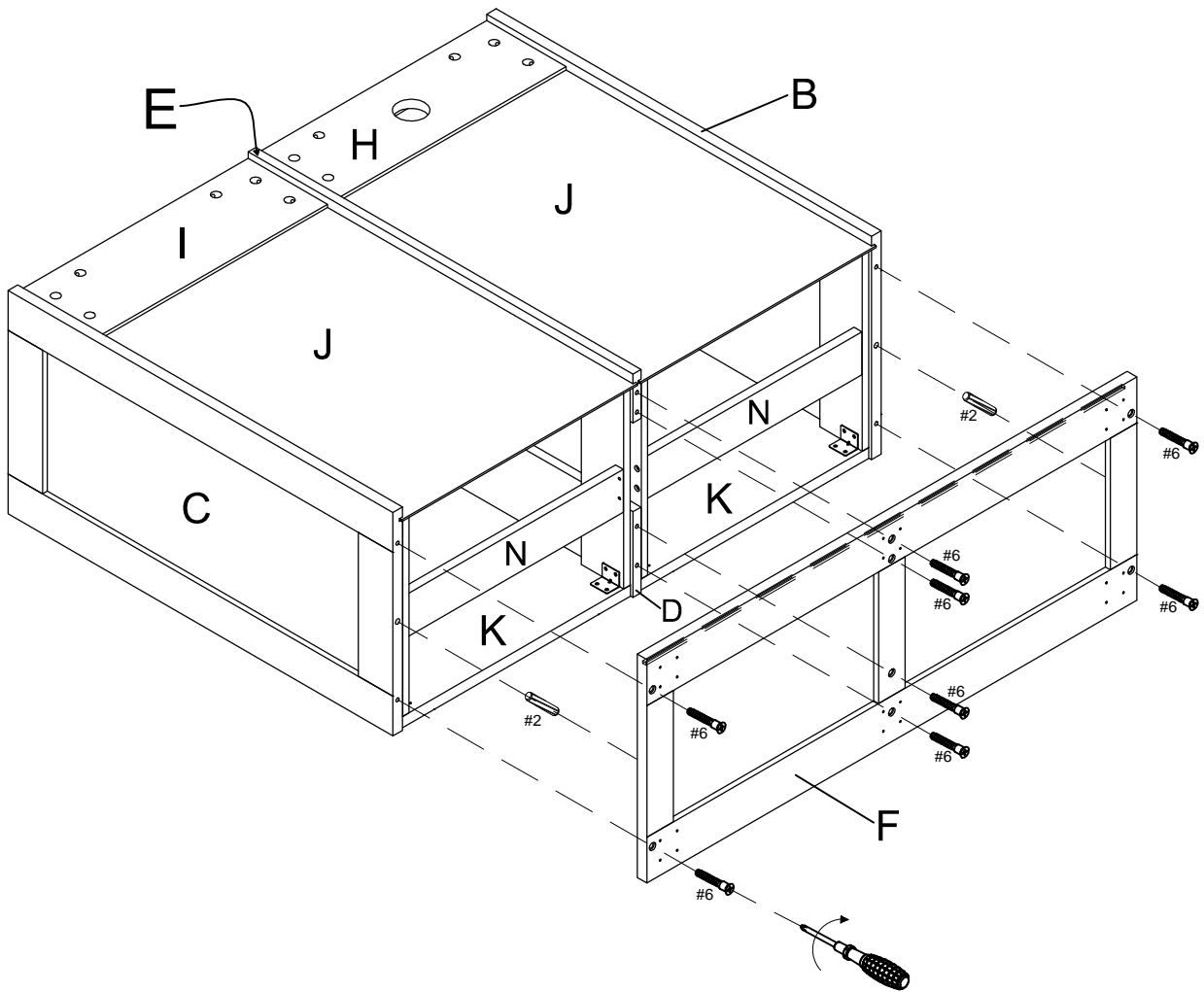
#2 X2



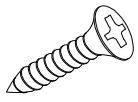
#6 X8



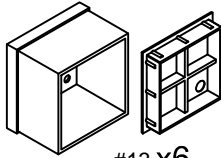
X1



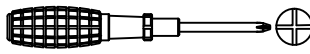
Step 17.



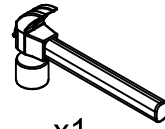
#10 x24



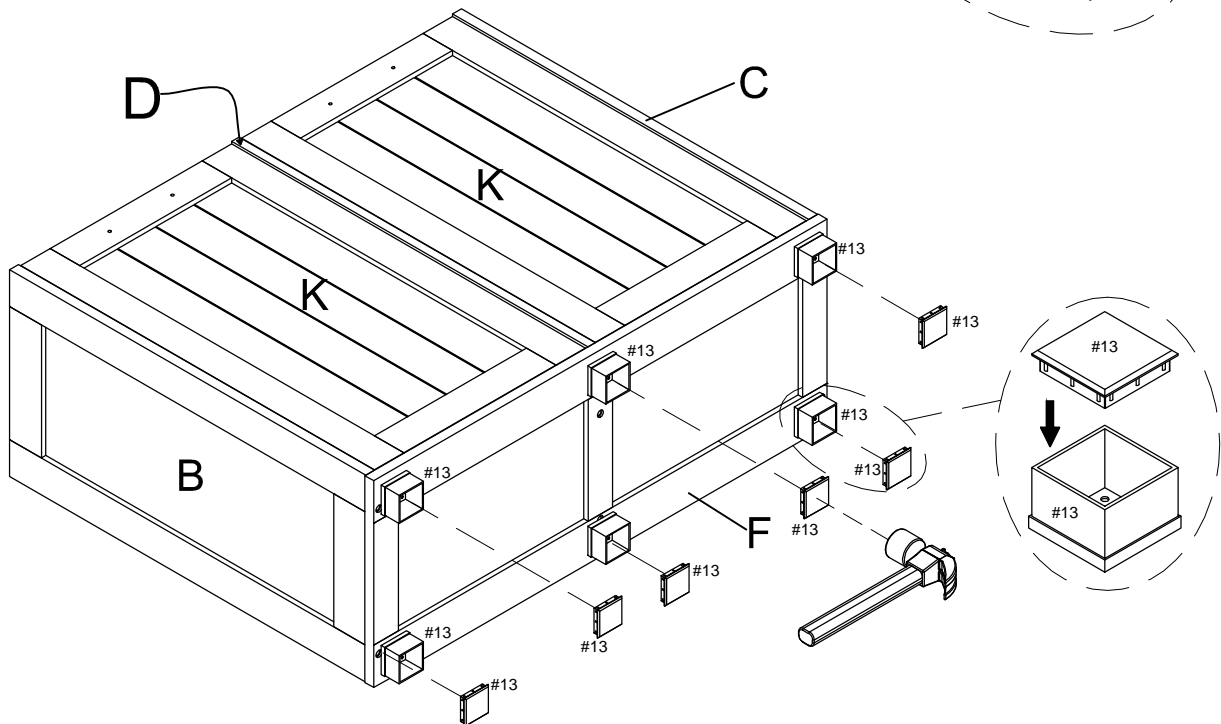
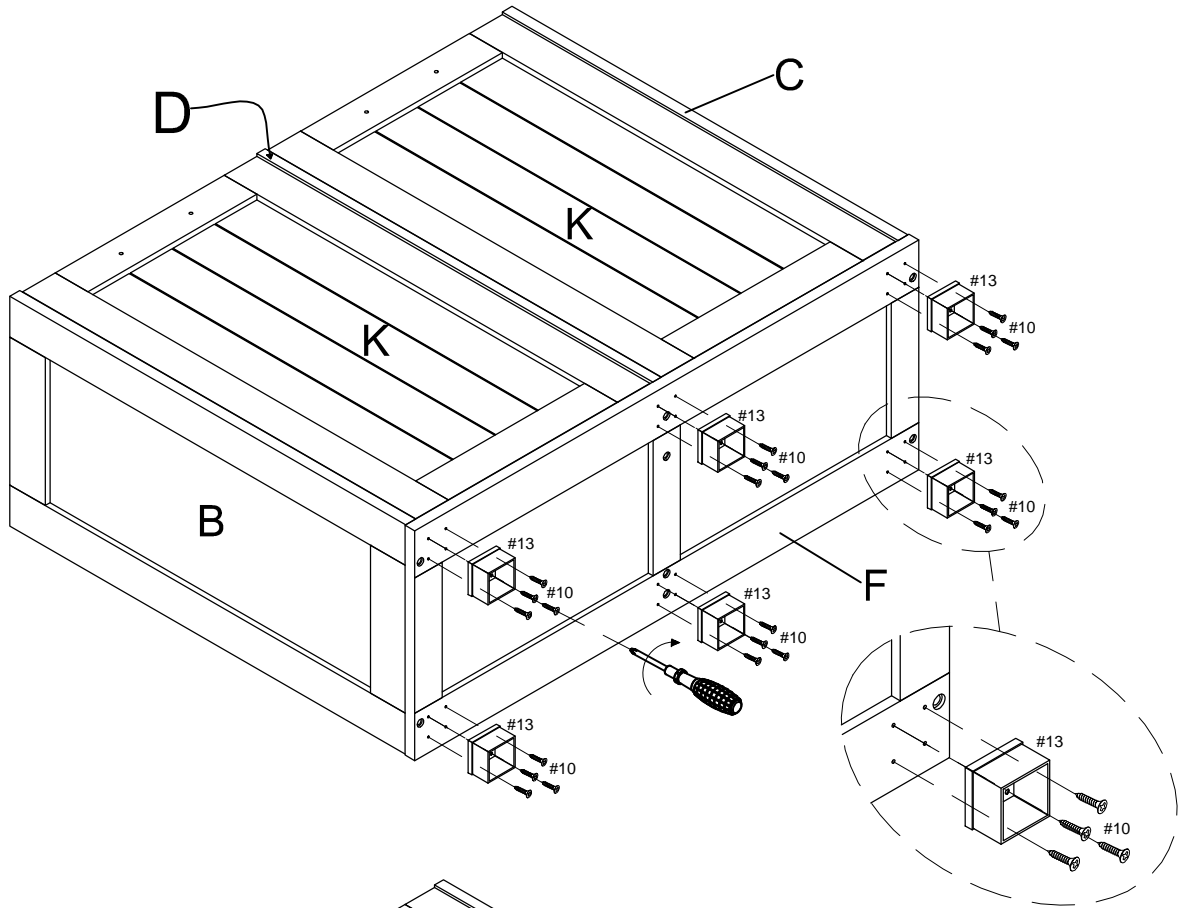
#13 X6



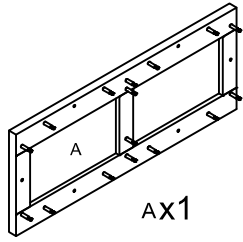
x1



x1



Step 18.



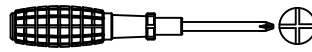
AX1



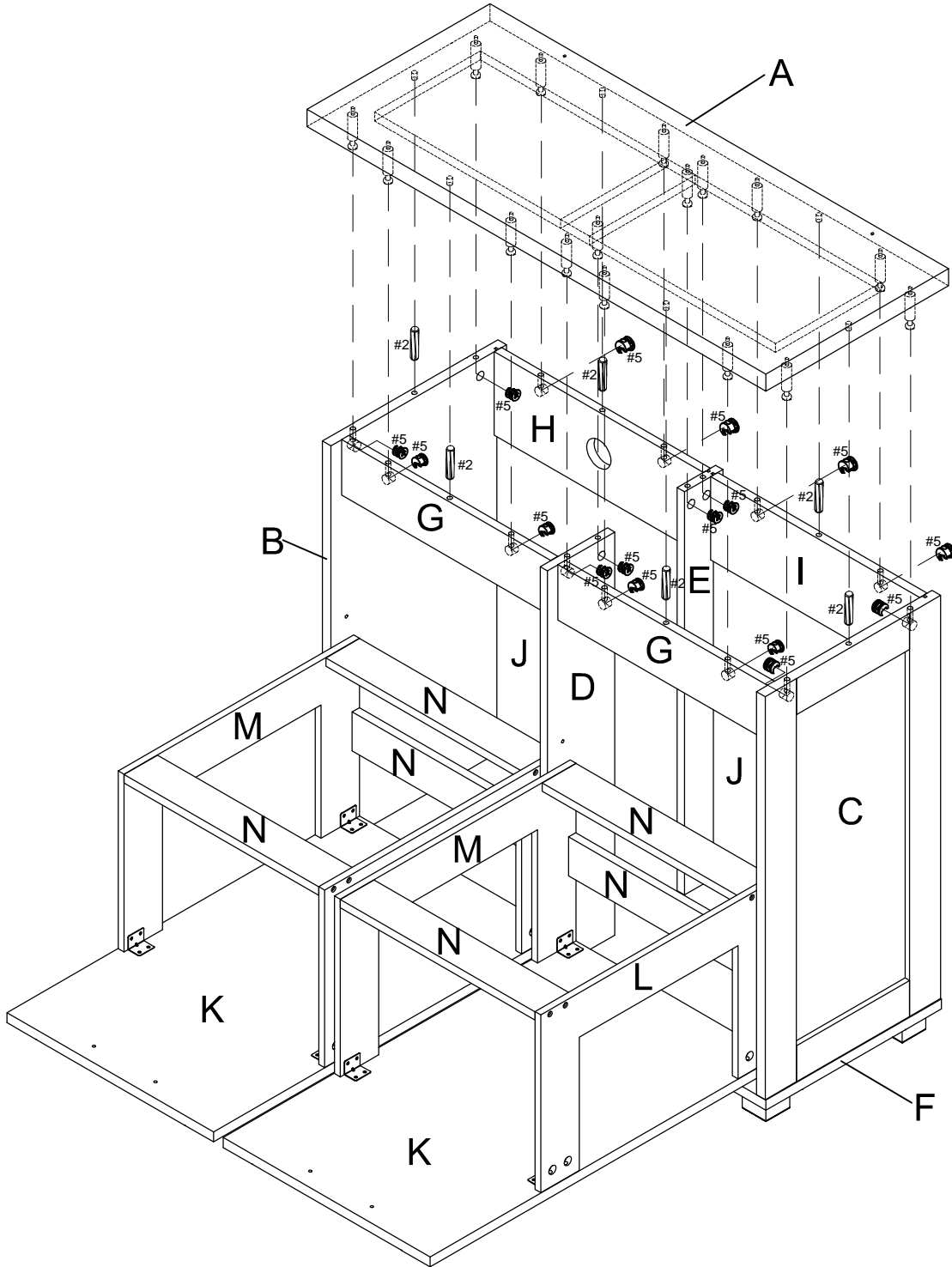
#2x6



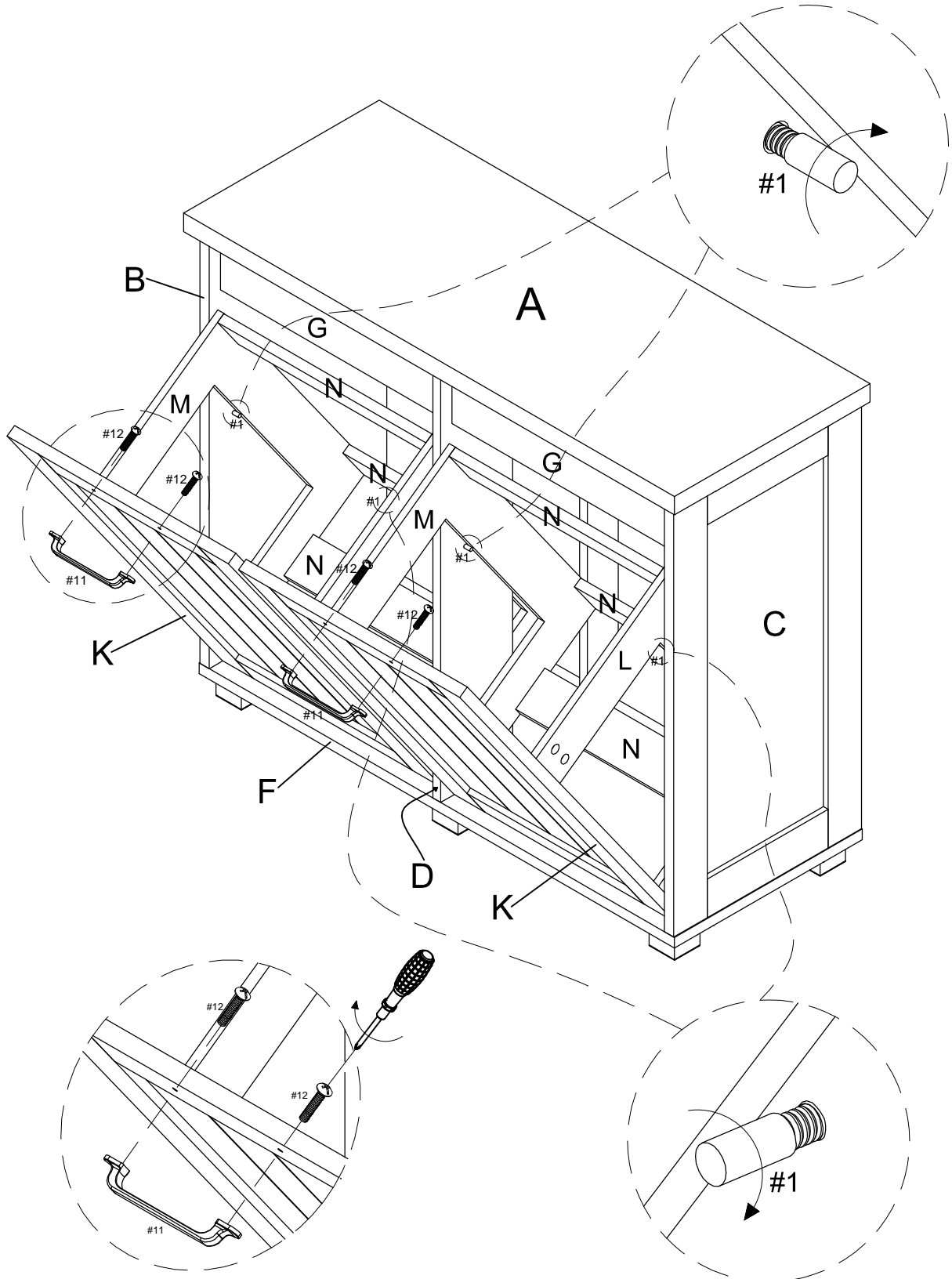
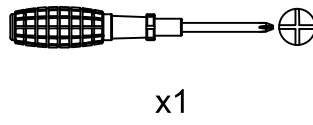
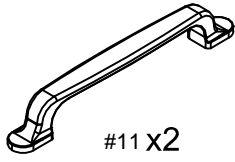
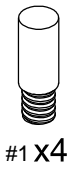
#5x16



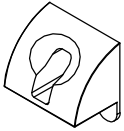
x1



Step 19.



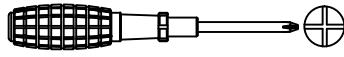
Step 20.



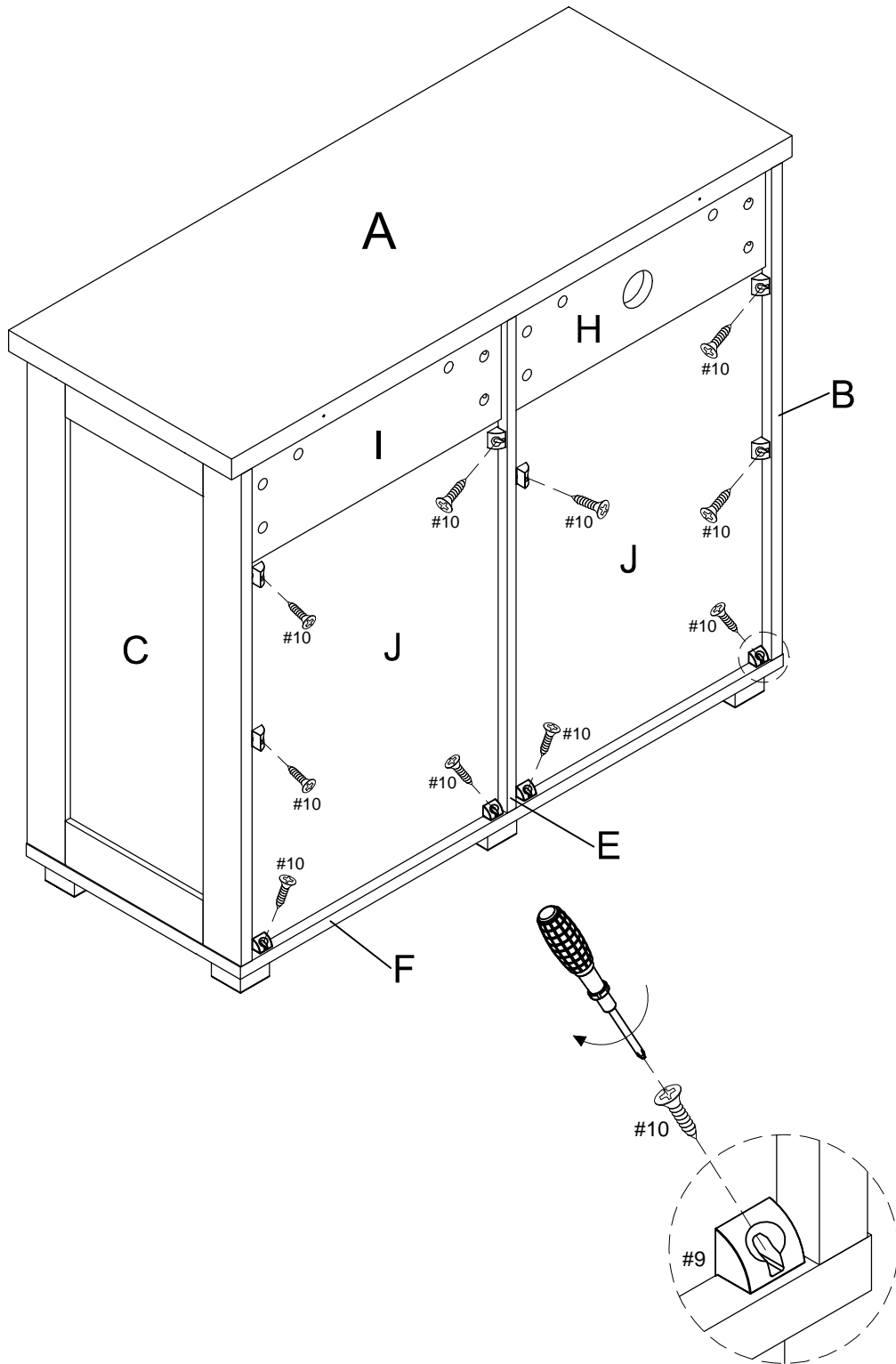
#9x10



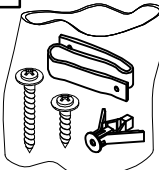
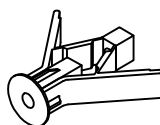

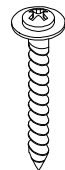
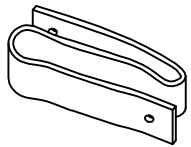
#10x10

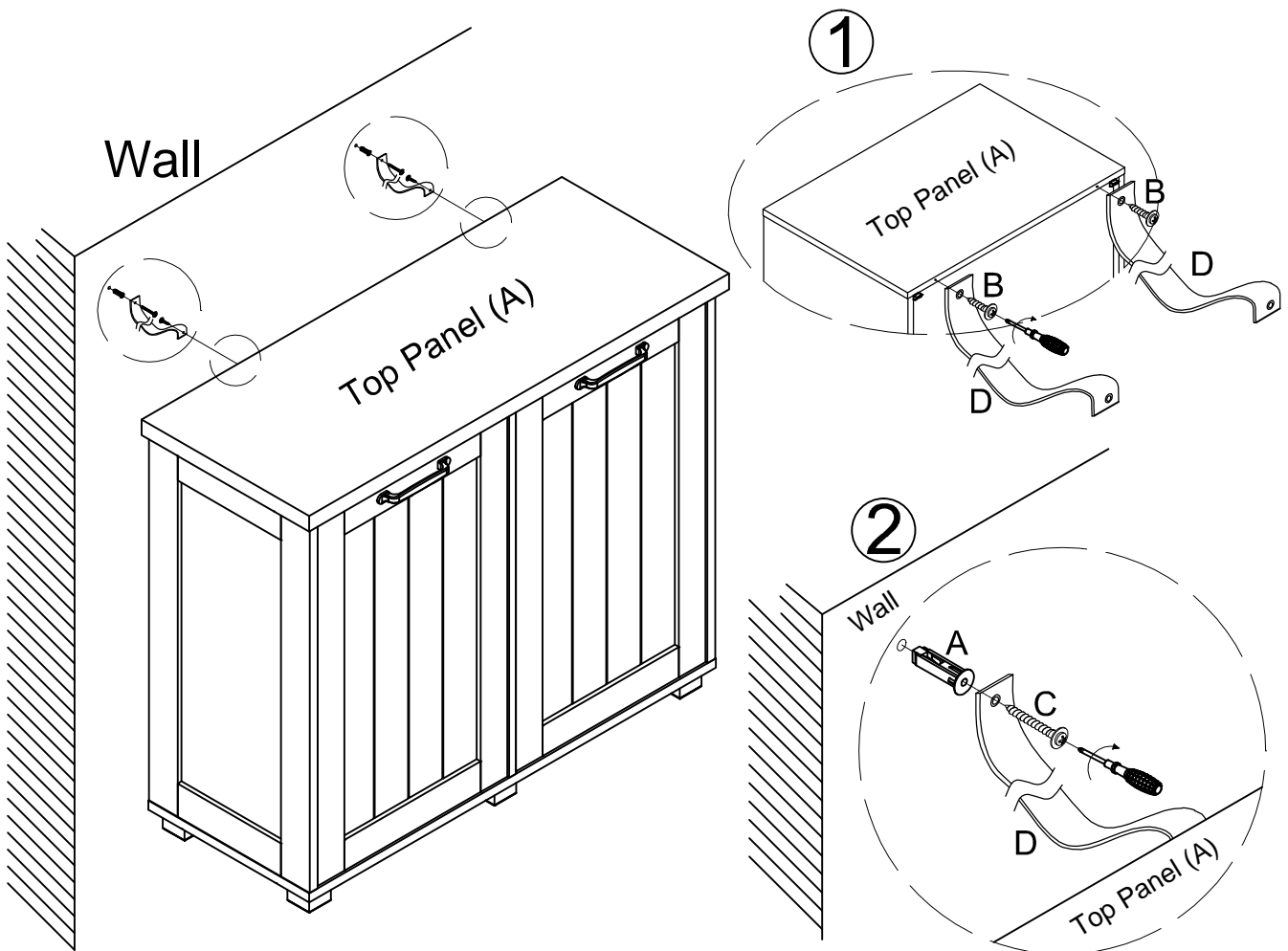


x1



Step 21.

#14	A	B	C	D
				
Safety Strap Kit	Wall Anchor	Short Screw	Long Screw	Safety Wall Strap
2 SET	2 PCS	2 PCS	2 PCS	2 PCS



SAFETY WALL STRAP INSTALLATION

Install the safety strap to prevent tip-over which can cause damage and/or injury.

1. Insert Short Screw (B) and Safety Strap (D) to screw onto the Back edge of Top Panel (A). Use a Phillips screwdriver to drive (B).
2. At the location where you want to secure the unit, drill a hole to fit Wall Anchor (A) snugly. The drilled hole has to level with safety strap on the back edge of (A).
3. Next, fit Wall Anchor (A) into the drilled hole.
4. Insert Long Screw (C) and Safety Strap (D) to screw into Wall Anchor (A). Use a Phillips screwdriver to drive (C).

The assembly of the buffet unit is complete.