

Folding Sofa Bed - HS030

Assembly Instructions



Safety And Care Advice

Important – Please read these instructions fully before starting assembly.

1. Please check if all the components and tools listed out are received.
2. Please remove all fittings from the plastic bags and separate them into homologous groups.
3. Please keep children and animals away from the working areas; swallow small parts may cause suffocation.
4. Please make sure you have enough space to lay out the parts before starting.
5. Do not stand on the product, which could cause damage.
6. Please assemble the product as close to its final position as possible.
7. Do not place furniture directly in front of radiators, fires, or any other source of heat.
8. The assembly will be easier with 2 people.
9. Please dispose of all packaging carefully and responsibly.

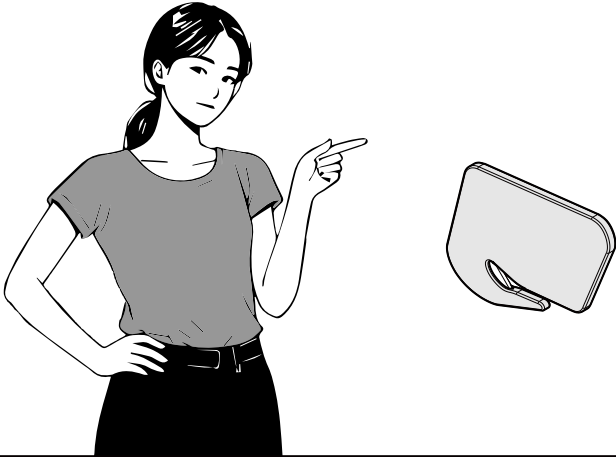


General care and maintenance

1. Please clean with a damp cloth or mild detergent, do not use bleach or abrasive cleaners.
2. Do not allow the spill to stay on the surface for a long time.
3. Do not clean with products containing the following: acetone (e.g., nail varnish remover), ammonia (e.g.bleach), or sodium hydroxide(e.g., caustic soda, drain, and oven cleaners).
4. If the product is accidentally exposed to the irritating liquid, rinse thoroughly with clean water.
5. Mats can be used to protect surfaces from moisture and heat.
6. The product should not be discarded with household waste, and please take it to your local authority waste disposal center.



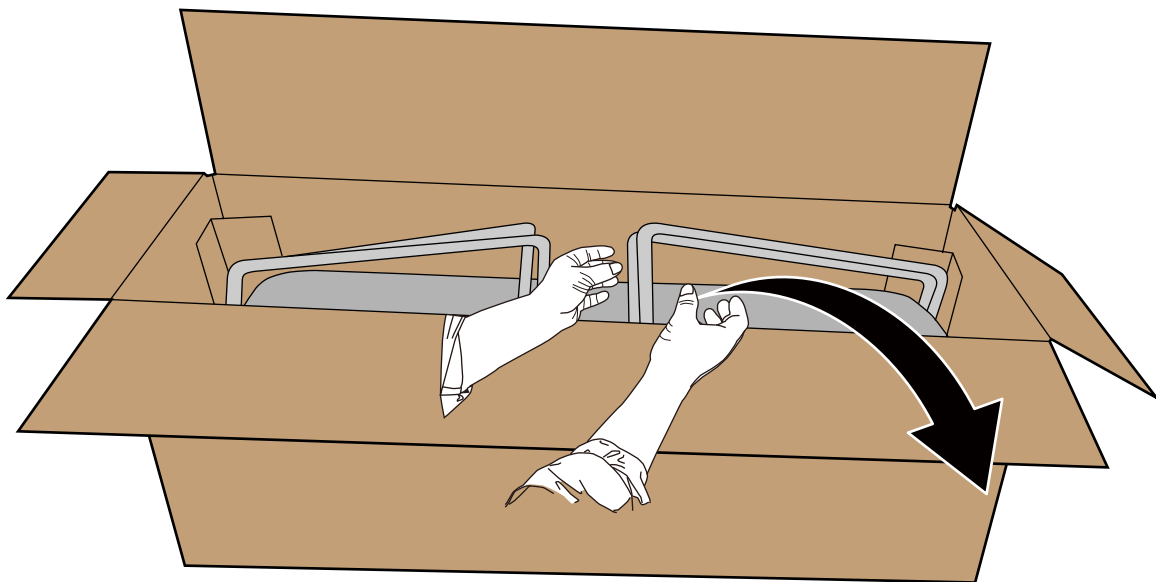
Tools Required :
Please note that the tool are not provided with the products.



1

Unbox the Items

Open the packaging box and carefully take out the items.

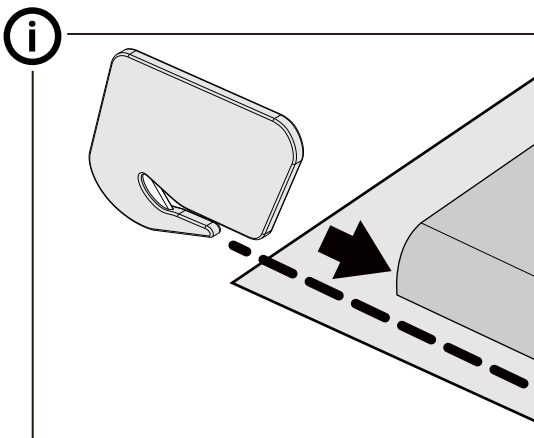
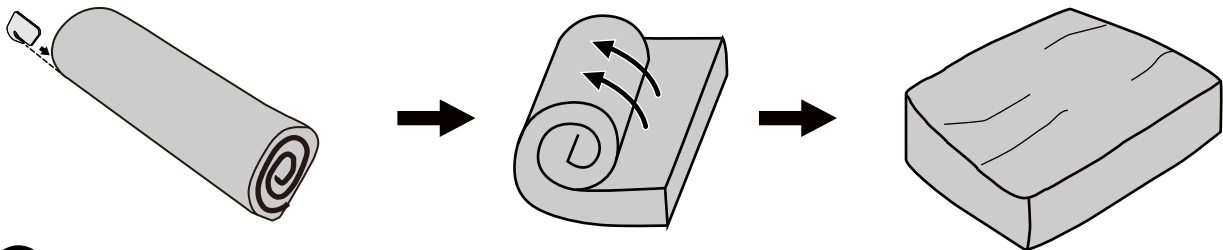


2

Restoring the Vacuum-Compressed Sofa

i Tips Of Restoring Vacuum-Compressed Sofa :

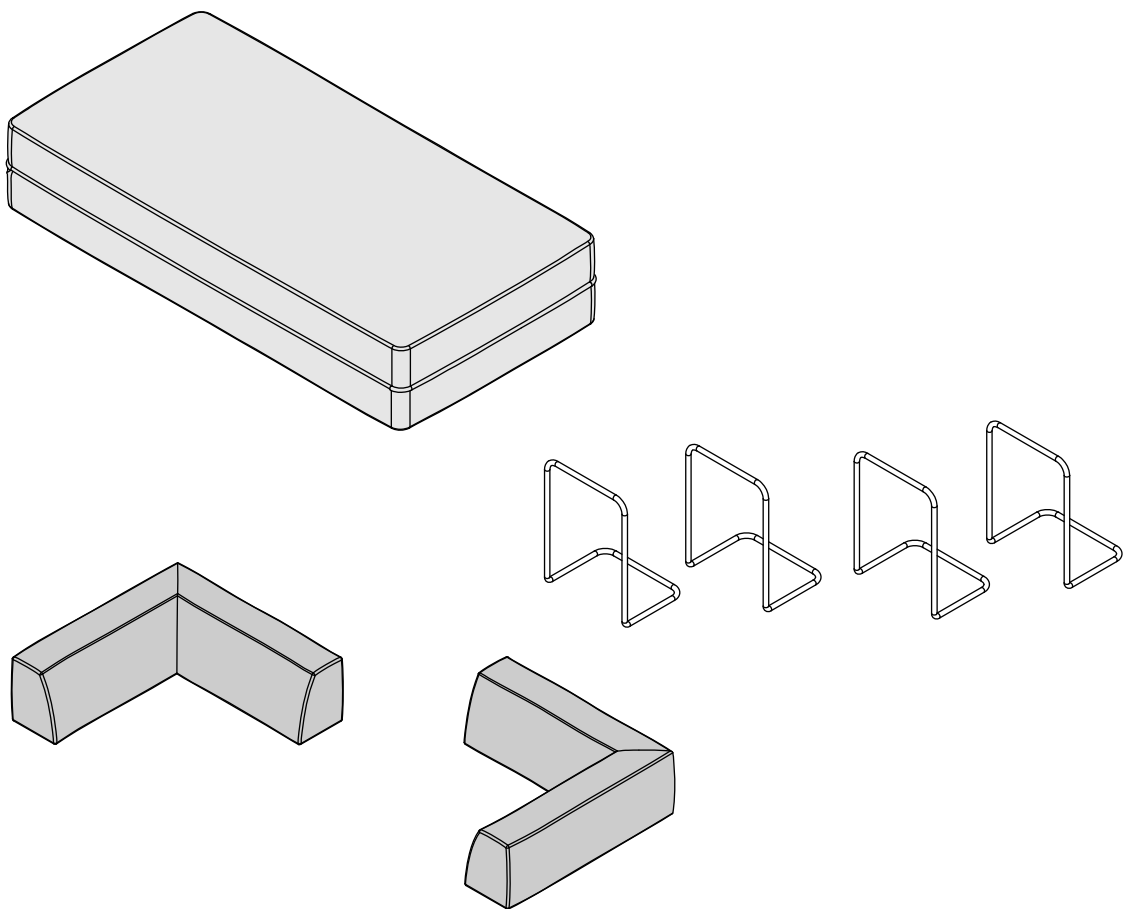
1. **Unpack:** Remove the sofa from the vacuum-sealed packaging.
2. **Allow Expansion Time:** Let the sofa sit in a well-ventilated area for a few hours to expand naturally. It usually takes 48-72 hours to fully expand.
3. **Fluff and Pat:** Gently fluff and pat the sofa to encourage air circulation and restore its shape.
4. **Massage and Knead:** Lightly massage and knead the sofa to redistribute the filling evenly.
5. **Apply Heat (Optional):** Using a hairdryer on a low-heat setting or placing a warm, damp cloth over the sofa can speed up the process and help remove wrinkles.



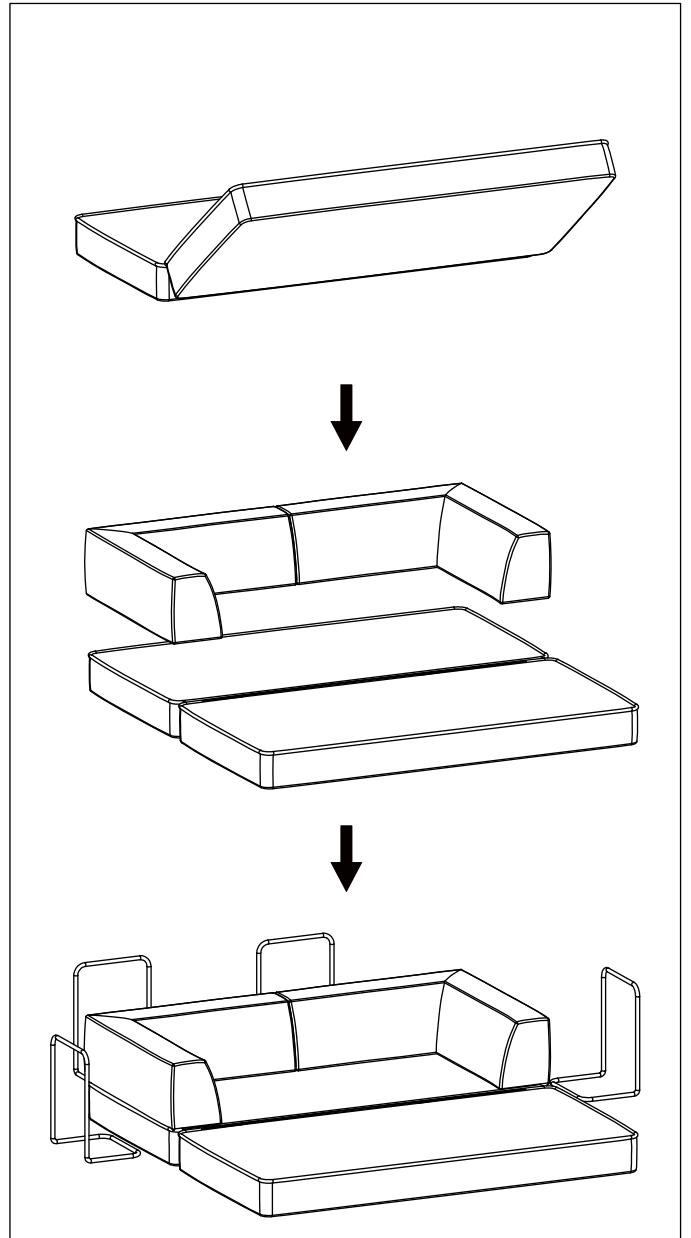
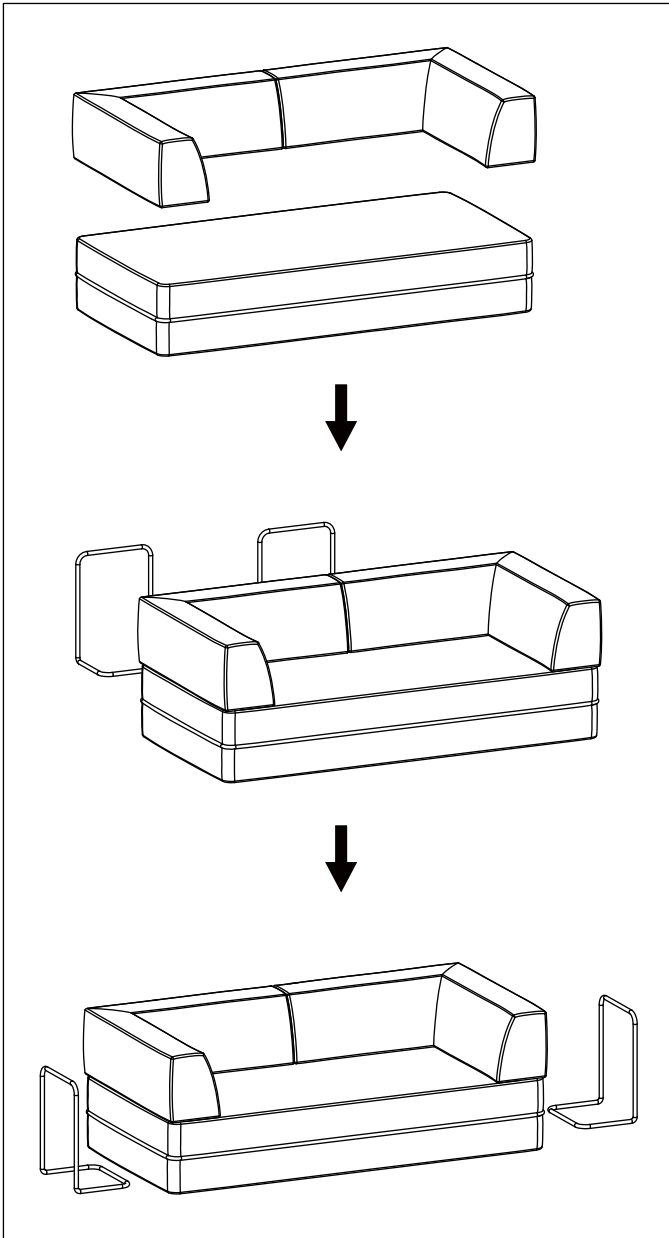
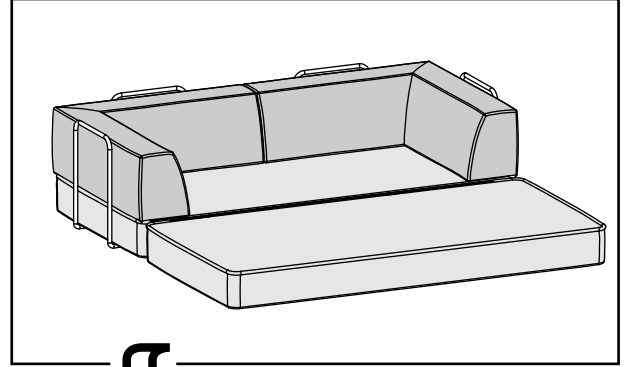
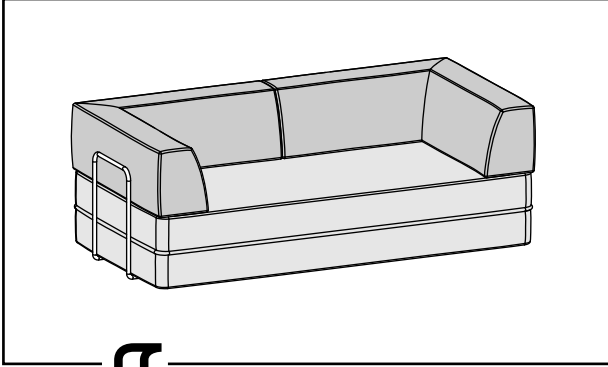
3

Display the Modules

After opening the vacuum packaging, the sofa modules will be as shown in the following figure.

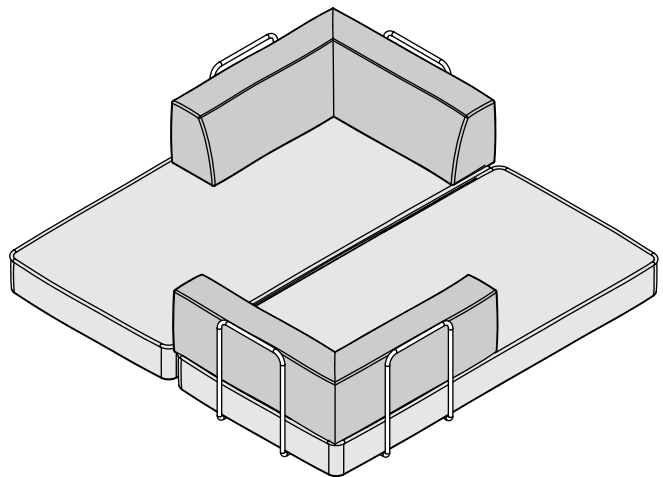
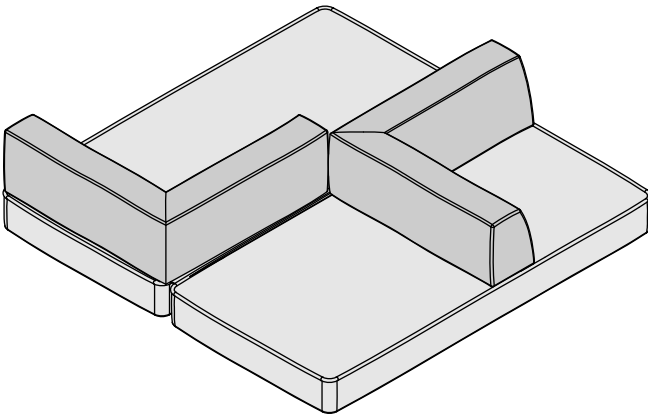


4



5

More combination forms





Dear Valued Customer,

Thank you for bringing LINSY HOME into your life, where our mission is to "Make Life Better." Your happiness and satisfaction are at the heart of what we do.

If our products have brightened your day, we're thrilled and eager to share that light further.

Encountering an issue? We're here to help swiftly and effectively.

Here's how you can reach us:

Get in Touch

Email us at Support@linsyhome.com

Share Details

Provide your order number and a photo of the issue, along with a brief description.

Await Solutions

Our team will quickly review and propose the right after-sales solution to make things right.

Your feedback propels us forward.

We're committed to ensuring your LINSY HOME experience is always positive.

Warmest thanks,

The LINSY HOME Team