

**What you'll get:**



- 1x Screw



- 1x Sprung Washer

**What you'll need:**

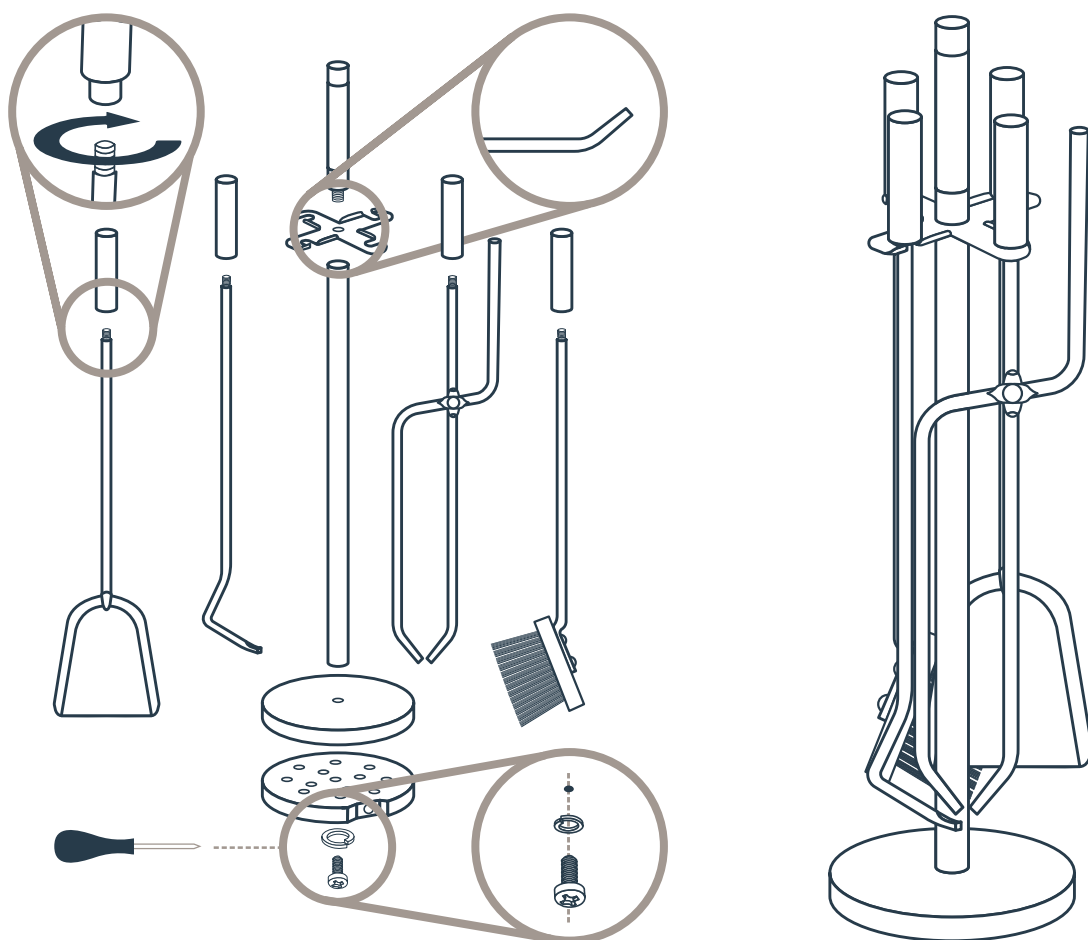


- Phillips Screwdriver

- Clean with warm soapy water & a soft cloth; **do not use detergents or abrasive materials.**

- For indoor use only; **do not leave outside or exposed to the elements.**

**PLEASE NOTE:** These fireside pieces are made of metal, which conducts heat. Please ensure that no items are placed too close to the heat source and exercise caution at all times while using and storing.



*Have an issue? We're here to help!*

Here at Hammer & Tongs we love delivering a little bit of everyday happiness to you - and whatever you purchased we hope you enjoy it! We are also always here for you once you have taken delivery of your item and opened it!

Need to return it? Delivery journey has broken it? Faulty item? Tell us about it! If you have any questions or requests, our customer services team are here ready and waiting, 7 days a week, to help you with it or guide you through it if you need to return it.

Email [sales@hammerandtongs.com](mailto:sales@hammerandtongs.com) (7 days a week) Call (01903) 726 077 (between 0900-1200 and 1300-1700 GMT Monday to Friday)