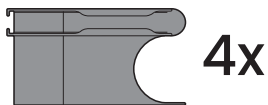
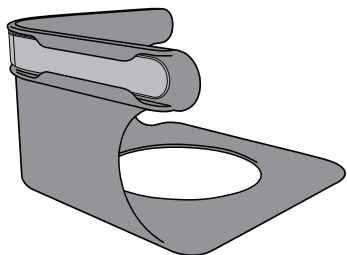
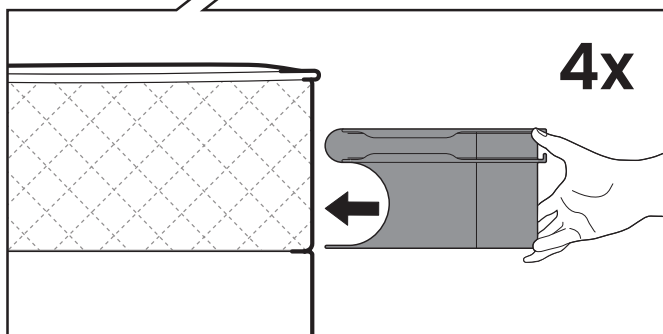
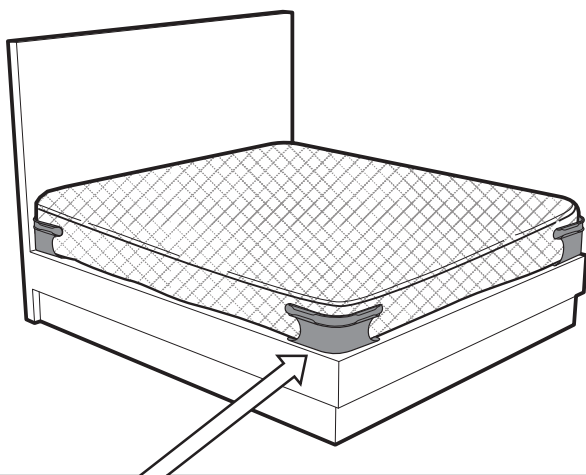


Zlumber[®] Lock

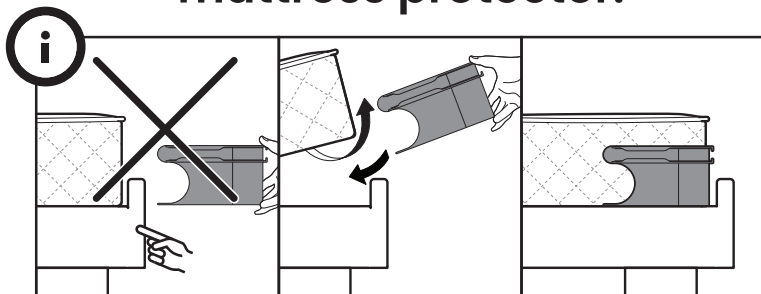


Patents Pending

1 Zlumber[®]Lock

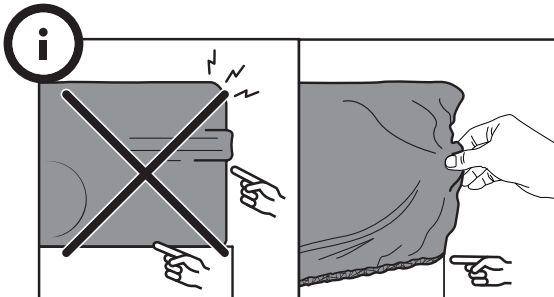
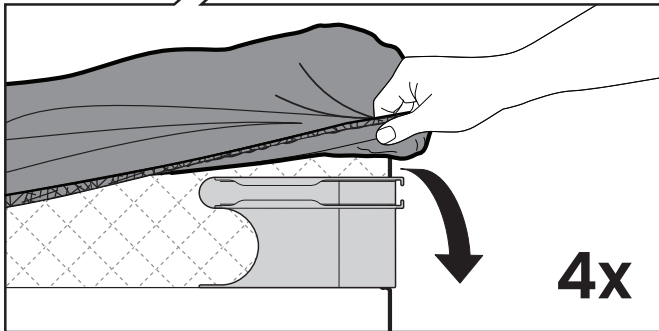
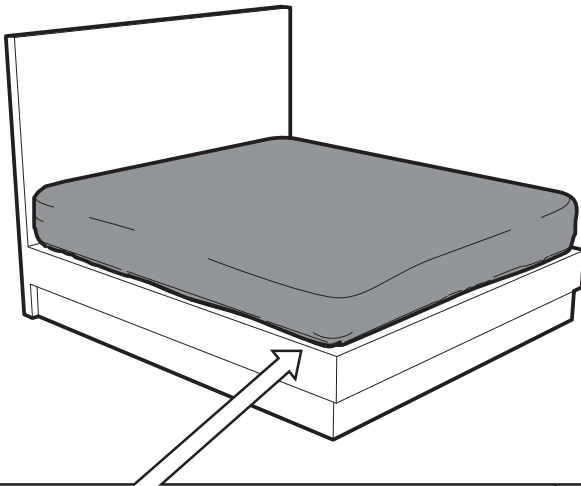


**Install over mattress or
mattress protector.**



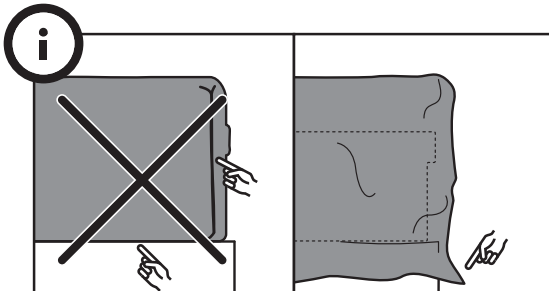
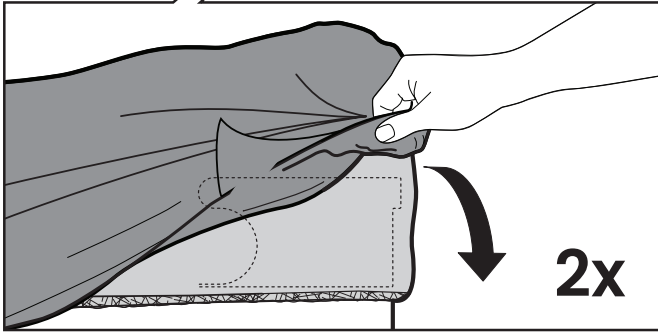
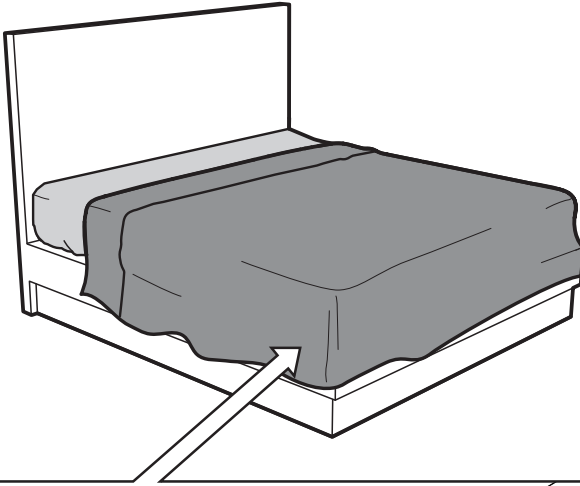
Lift mattress if bed has side rails.

2 Fitted Sheet



Not too tight, keep loose.

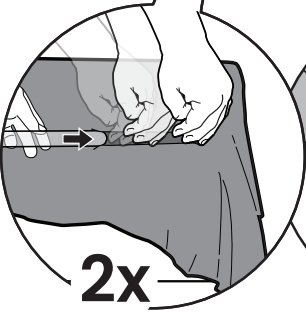
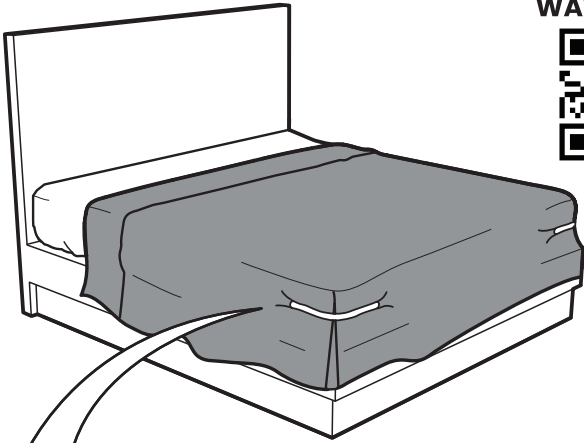
3 Top Sheet



Don't tuck, keep loose.

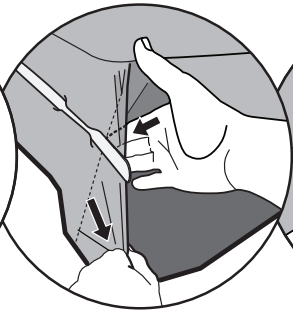
4 Top Sheet

FOR A
PERFECT FOLD?
WATCH THIS!

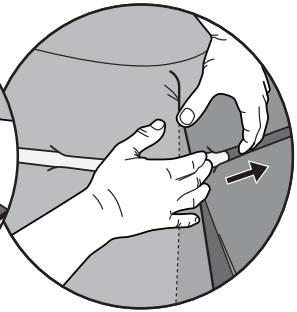


2x

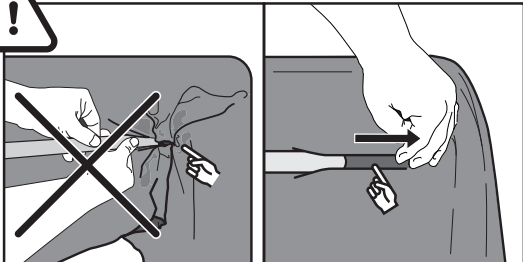
Guide and
install strip.



Fold excess
at corner.

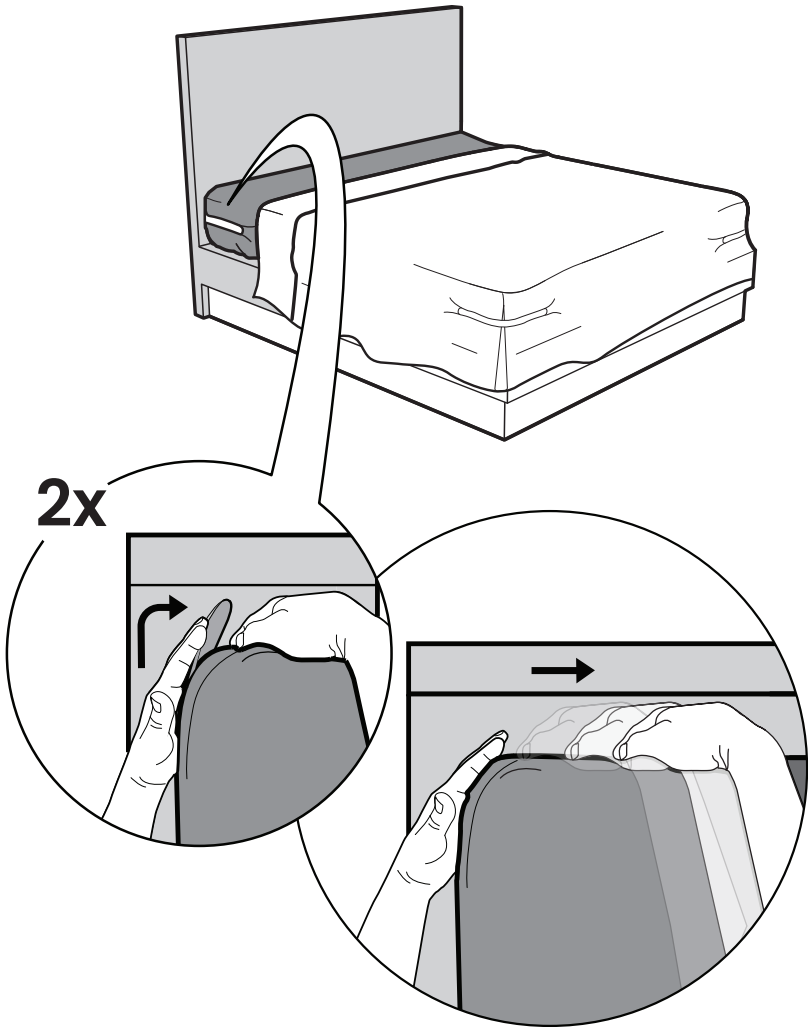


Install
adjacent side.



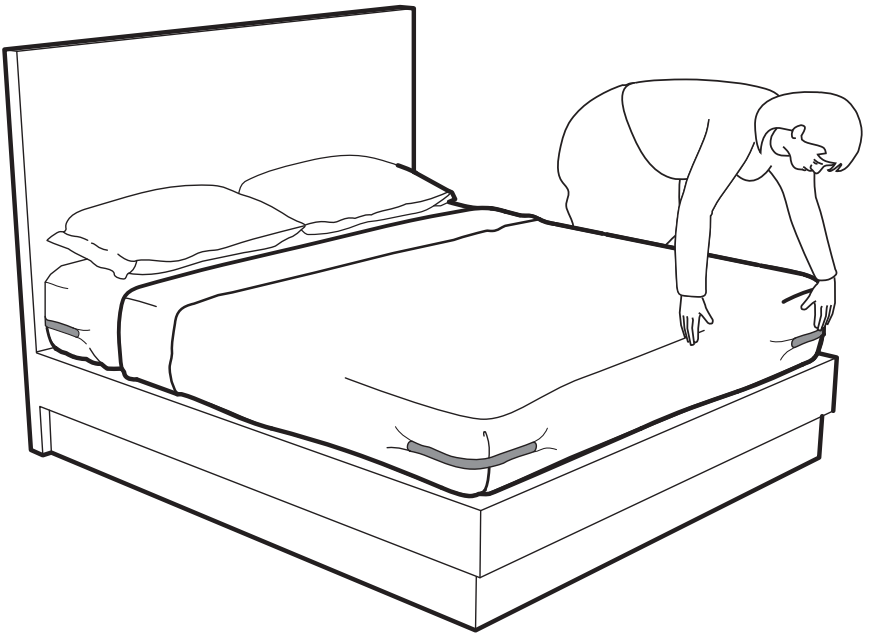
Don't jam, remove wrinkles.

5 Fitted Sheet



Use lead hand to remove wrinkles and guide the strip.

6 Tuck and Finish





support@zlumber.com