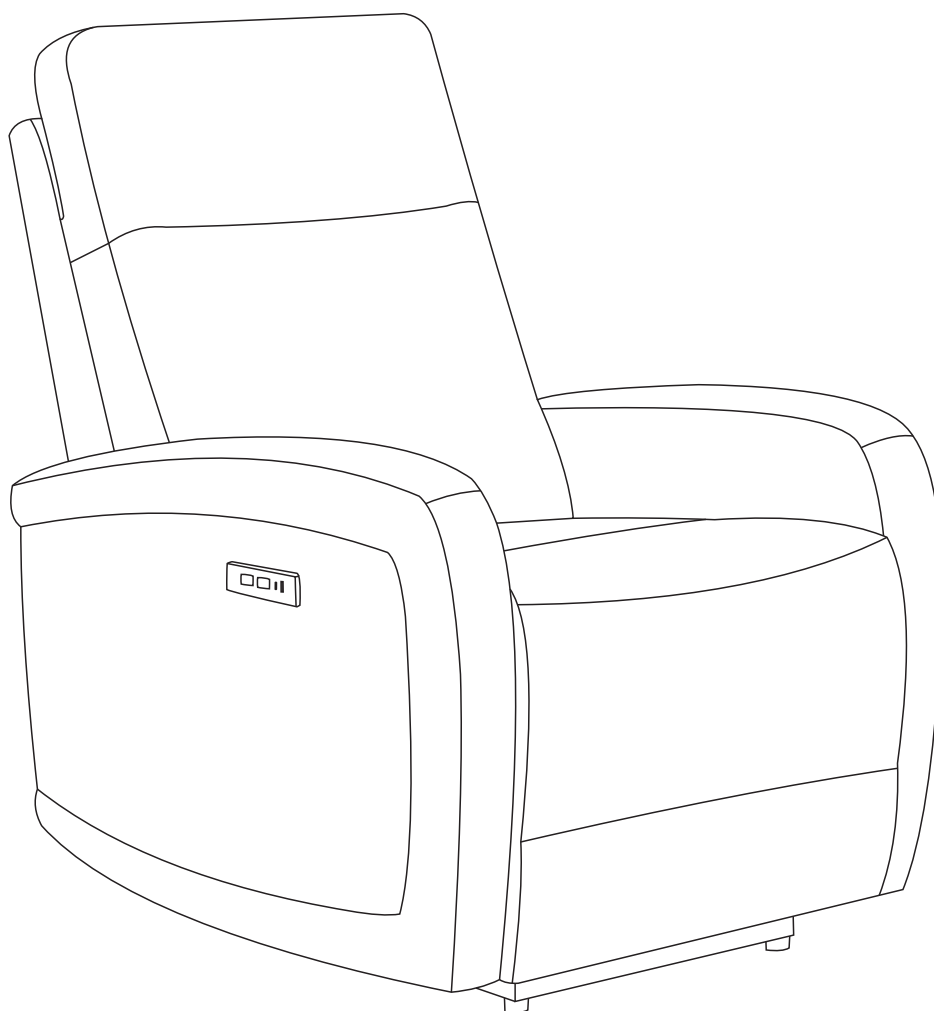
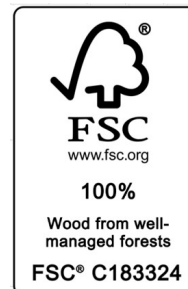

Power Recliner Armchair

Assembly Manual

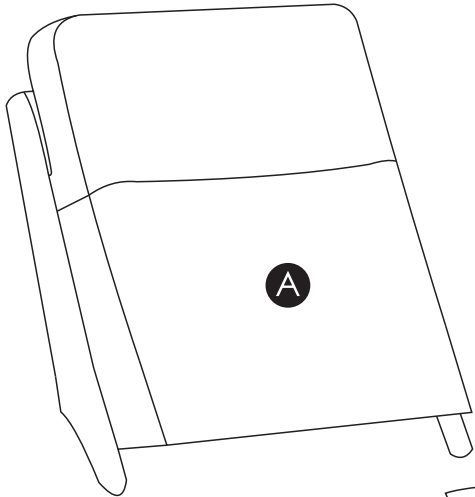


CAUTION

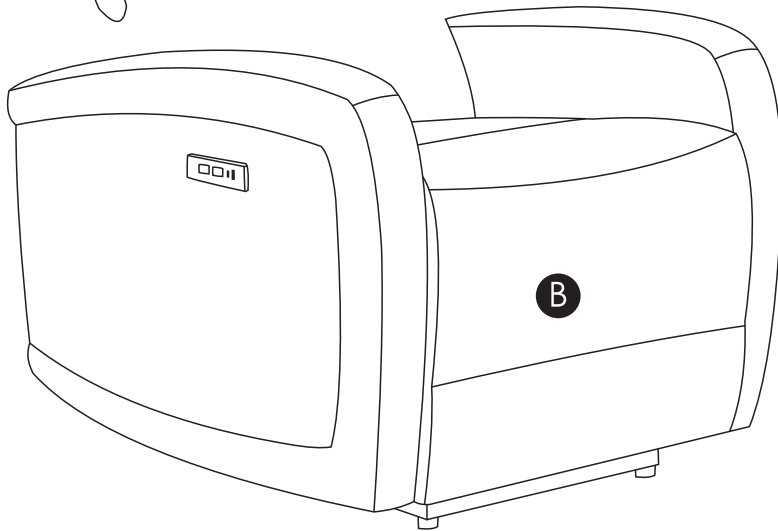
THIS ASSEMBLY MANUAL CONTAINS IMPORTANT SAFETY INFORMATION.

PLEASE READ AND KEEP FOR FUTURE REFERENCE.

COMPONENTS

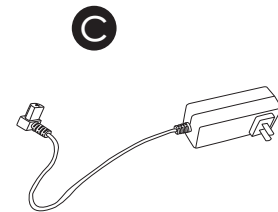


A Chair Back
1X

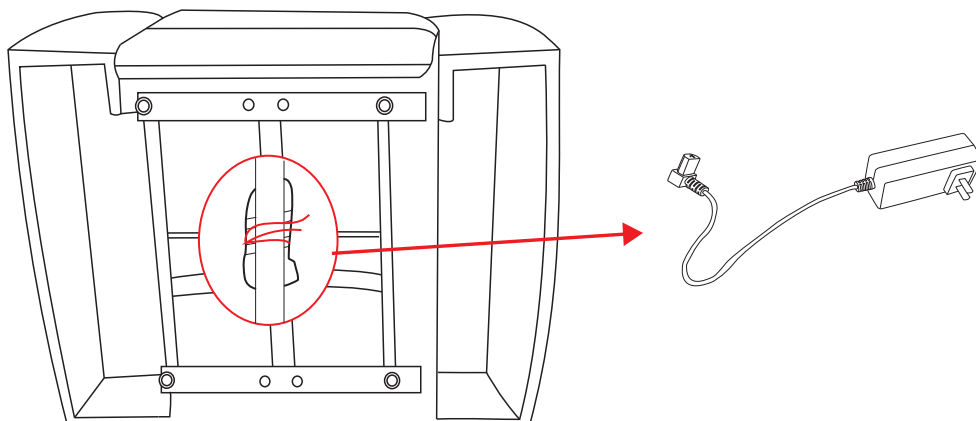


B Chair Base
1X

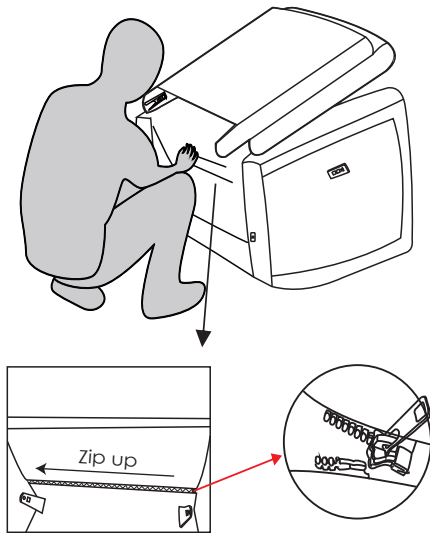
C Power Cord
1X



Before you begin:
Locate the power cord at the bottom of the chair.

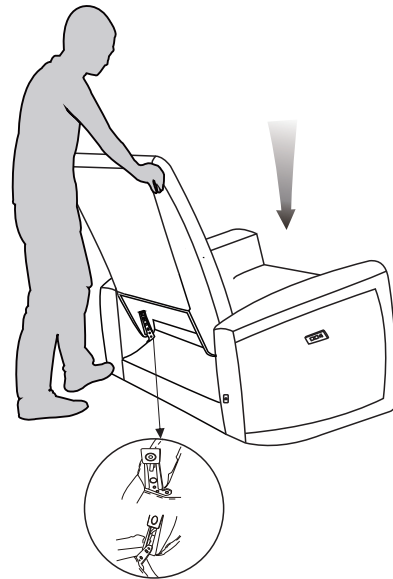


1



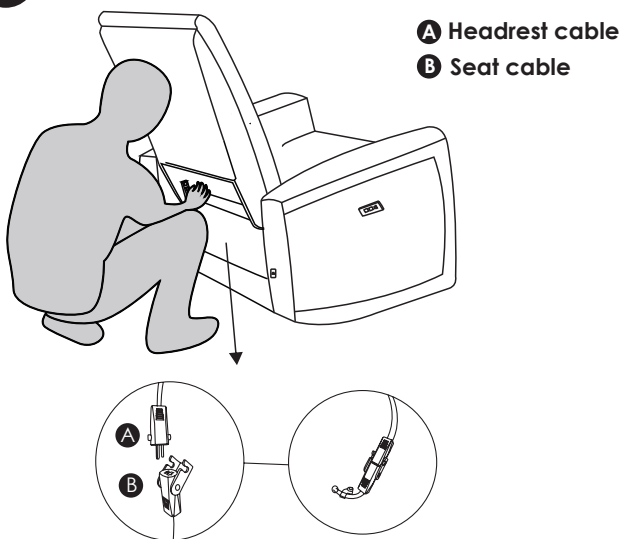
Zip up the bottom of the back and the seat together.

2



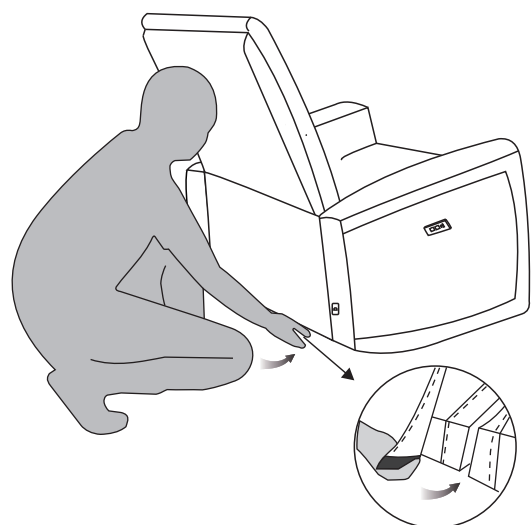
Slide the back into the metallic quick connectors of the base. Push down the back firmly until each side is locked into place and an audible “click” is heard.

3

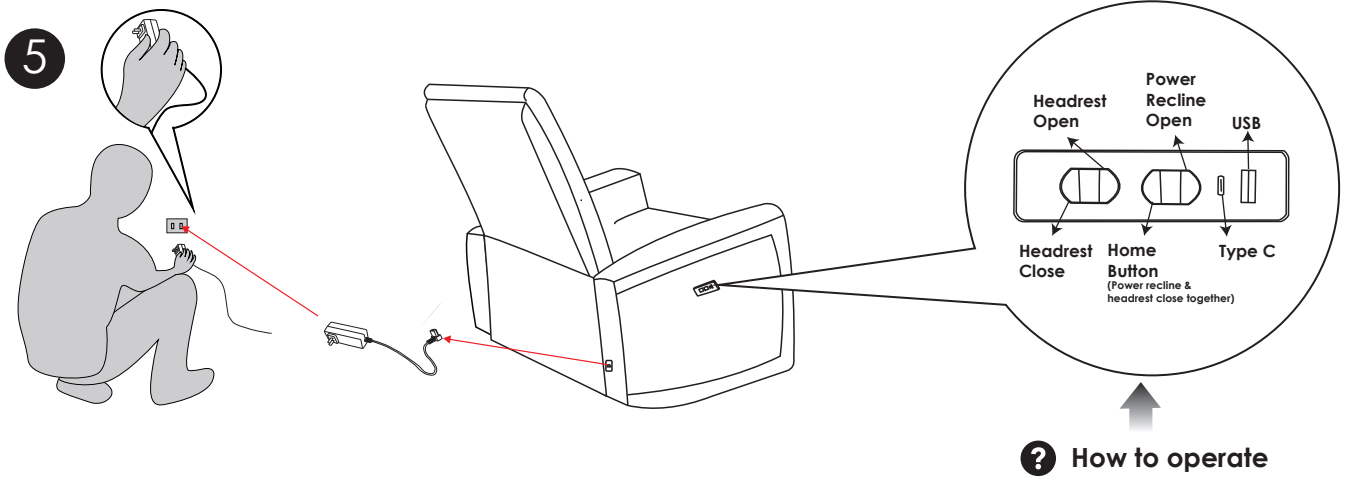


Connect the cable A into cable B.

4



Attach the back cover to the bottom of the seat with Velcro.

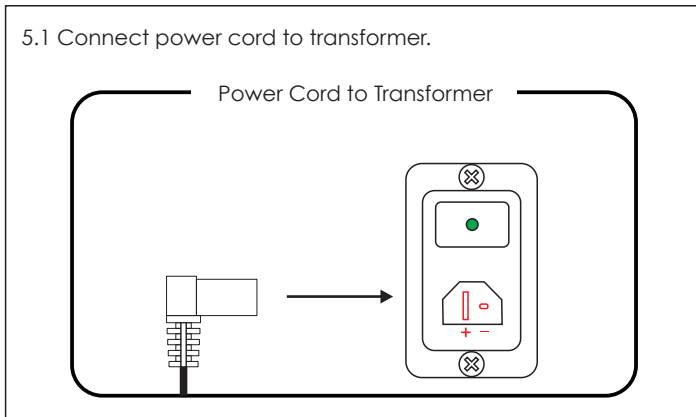


Connect one end of the power cord into the DC adaptor located at the back corner of the seat. Plug the other end of power cord into the power outlet.

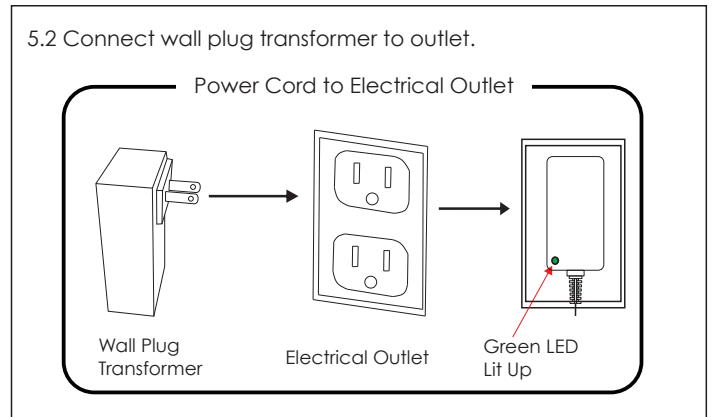
Note: After all the connections are made, the green LED will be lit up.

POWER CONNECTIONS

5.1 Connect power cord to transformer.



5.2 Connect wall plug transformer to outlet.



5.3 After all connections are made, the green LED will be lit up.

