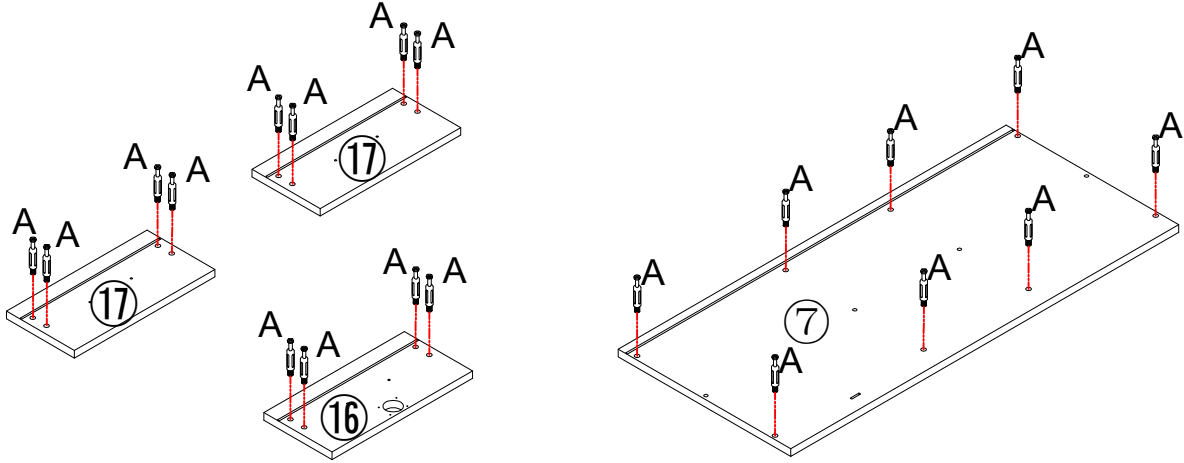
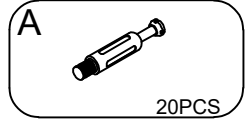
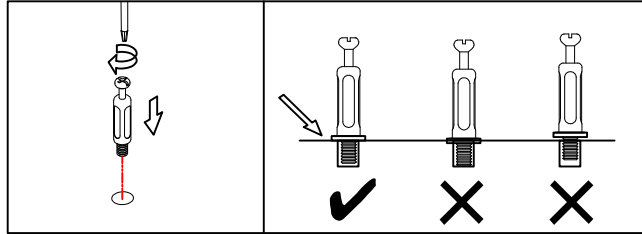
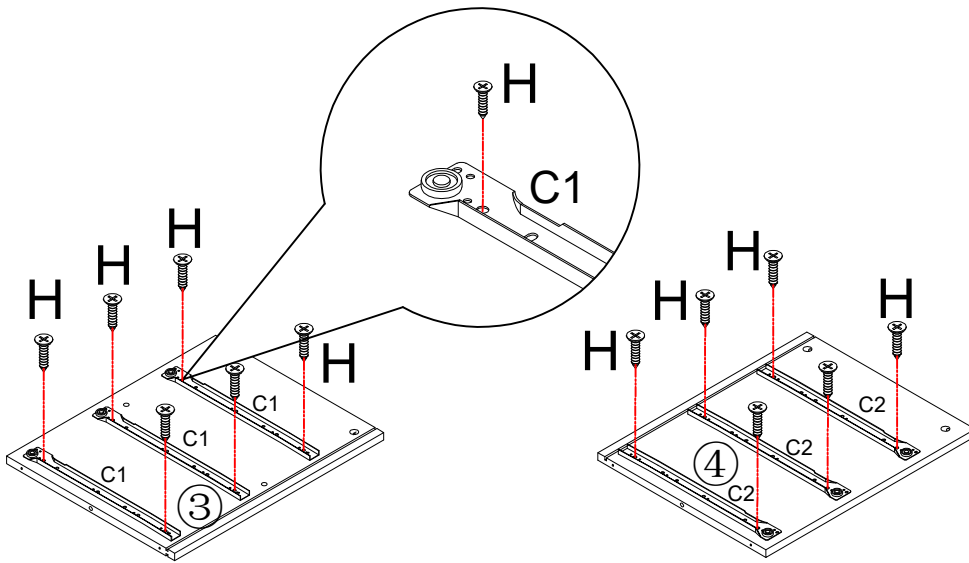
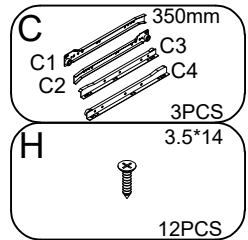


STEP 1

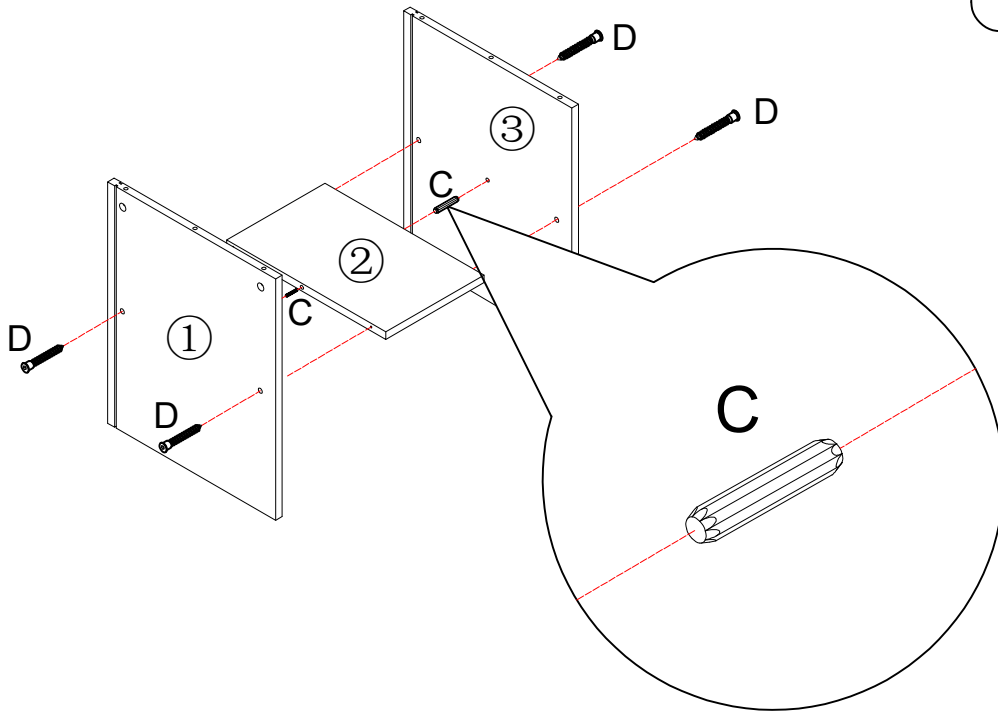


STEP 2



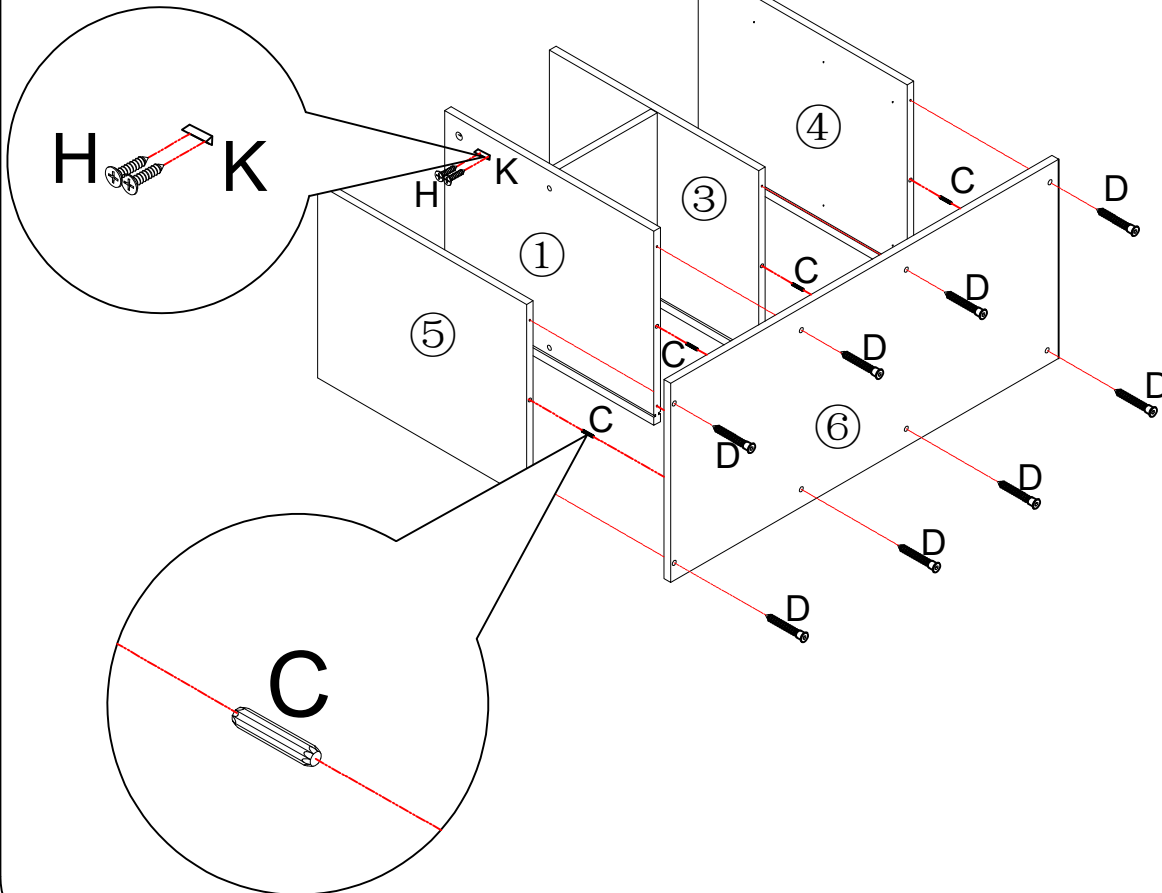
STEP 3

- C 8*40
2PCS
- D 5*40
4PCS



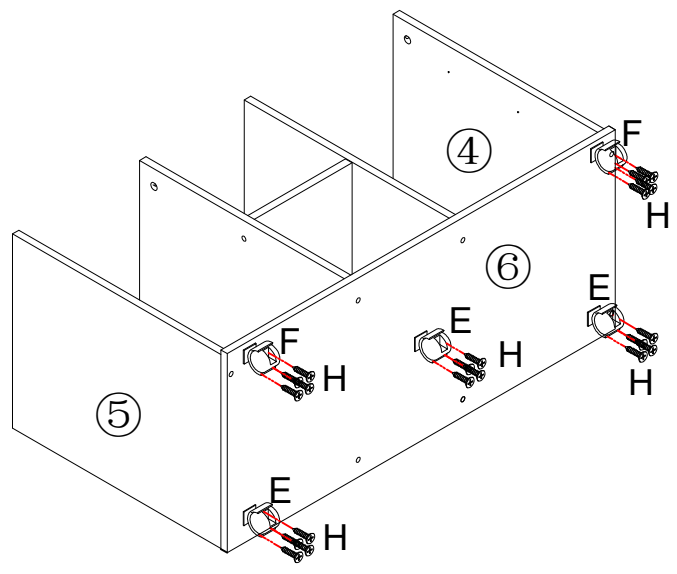
STEP 4

- C 8*40
4PCS
- D 5*40
8PCS
- H 3.5*14
2PCS
- K 1PCS

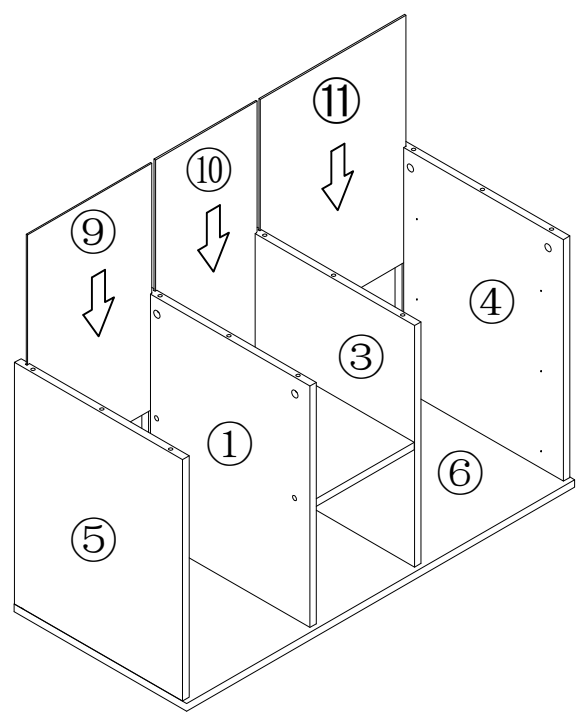


STEP 5

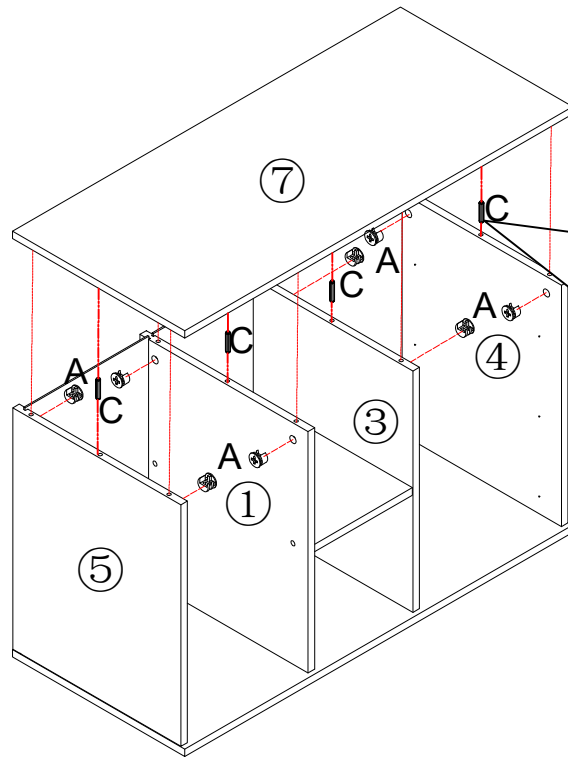
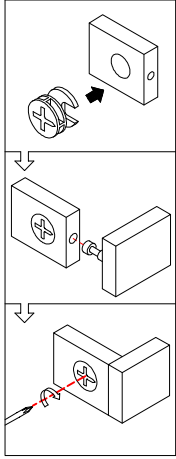
- H 3.5*14
20PCS
- E 3PCS
- F 2PCS


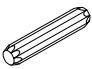


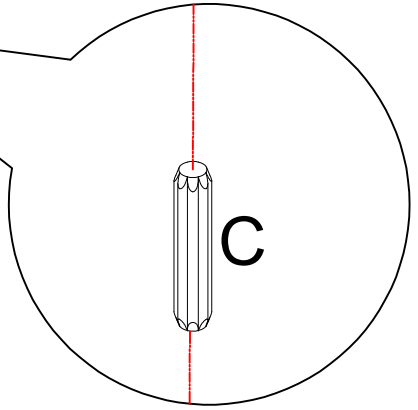
STEP 6



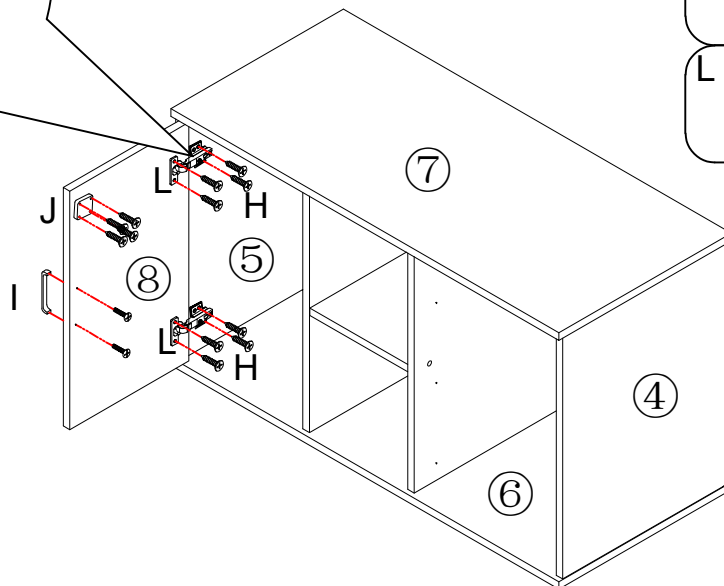
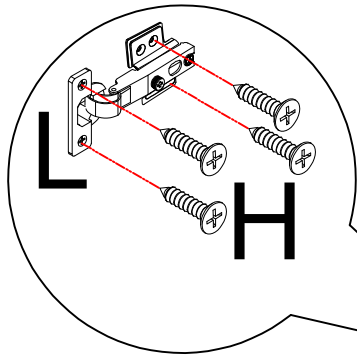
STEP 7


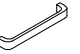




- A**  8PCS
- C**  8*40 4PCS



STEP 8

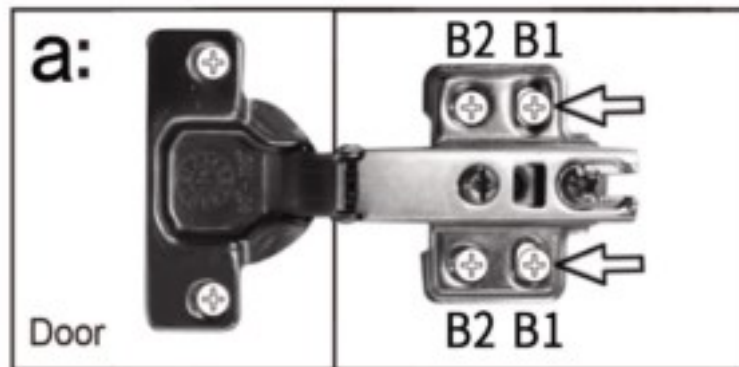


- H**  3.5*14 12PCS
- I**  1PCS
- J**  3.5*16 1PCS
- L**  2PCS

STEP 9

Hinge adjustment

To facilitate the adjustment, install the B1 screw first, and then install the B2 screw.

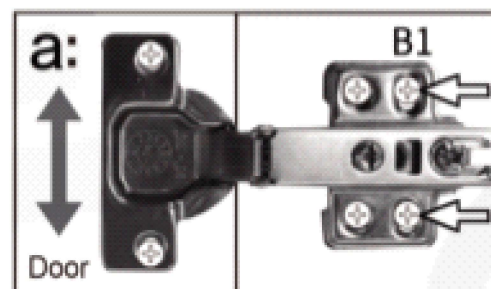
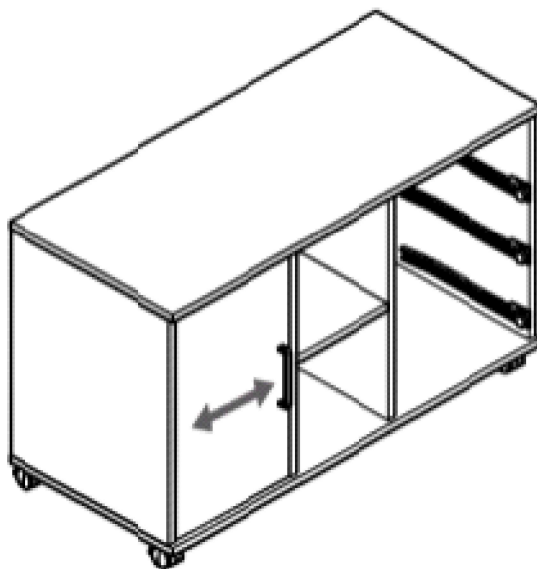


STEP 10

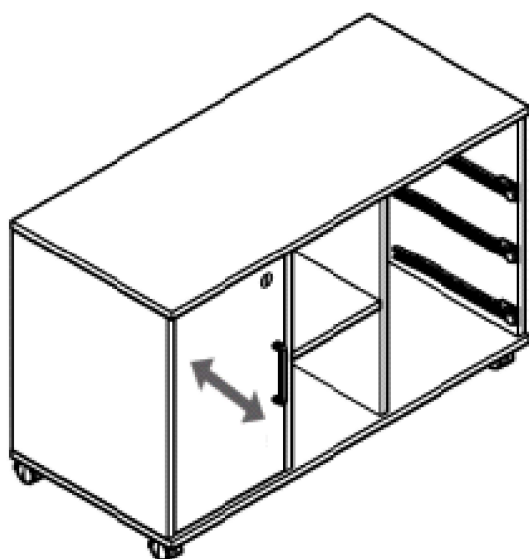
Hinge adjustment

a: To move doors up or down: loosen screws shown and move doors to suit.

Once doors are aligned, re-tighten Screws B1



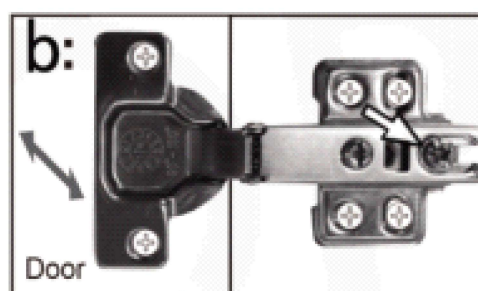
STEP 11



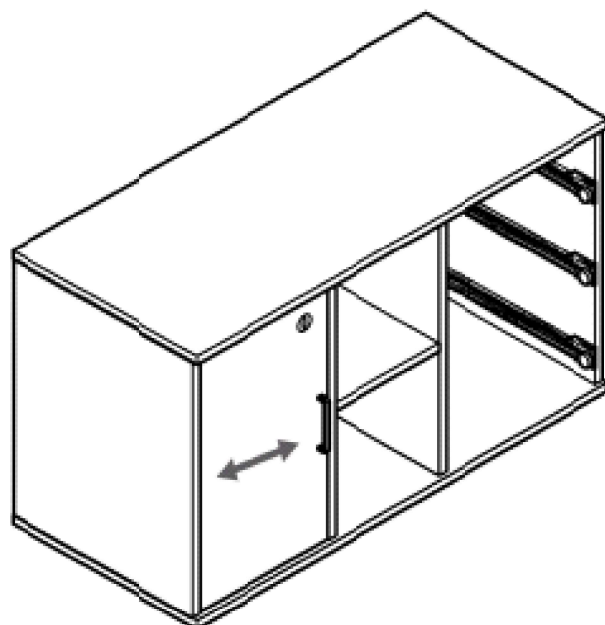
Hinge adjustment

b: To move doors in or out: loosen screw shown and move doors to suit.

Re-tighten screws



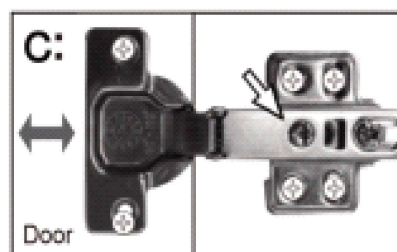
STEP 12



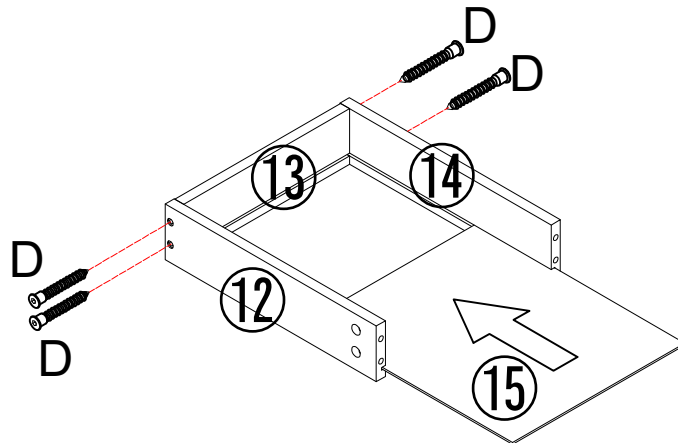
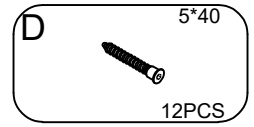
Hinge adjustment

c: To move doors left or right: loosen screw shown and move doors to suit.

Re-tighten screws

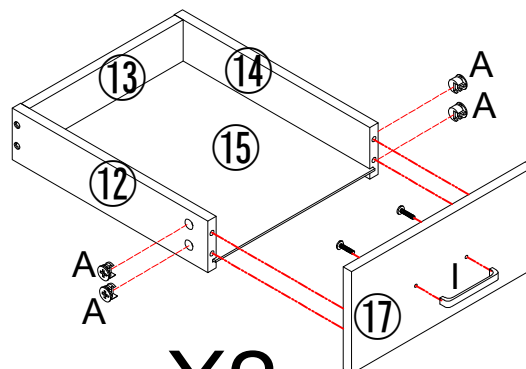
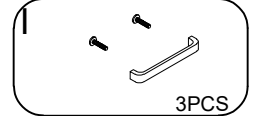
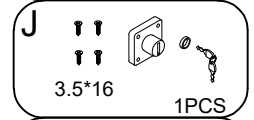
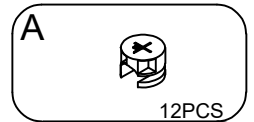
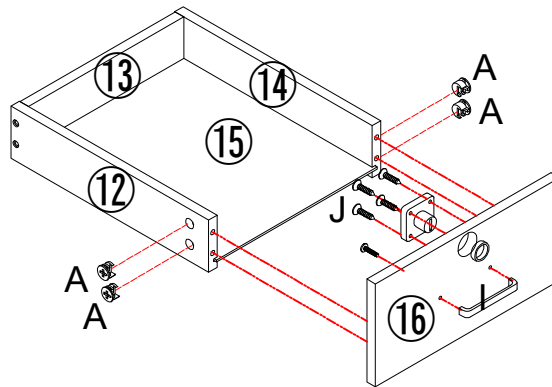
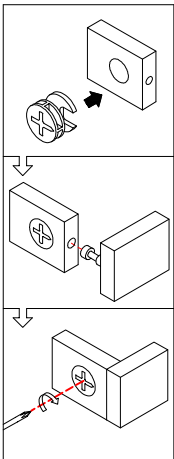


STEP 13



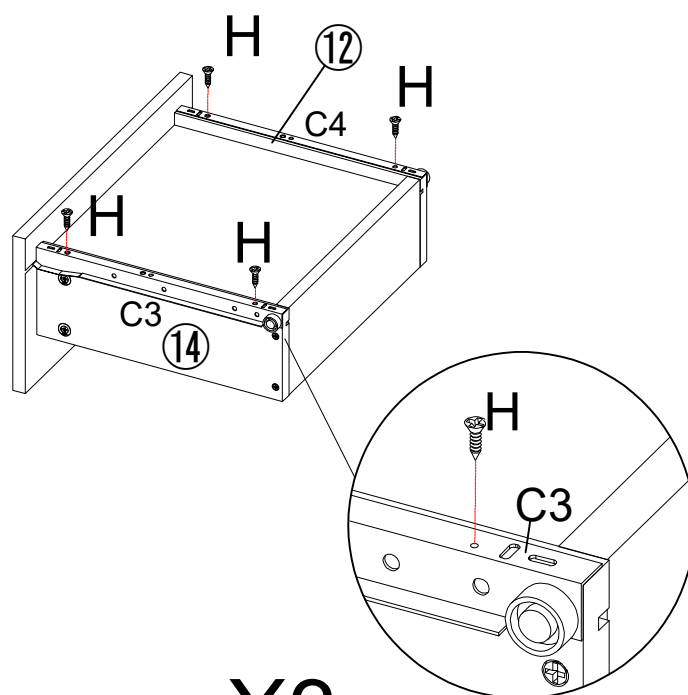
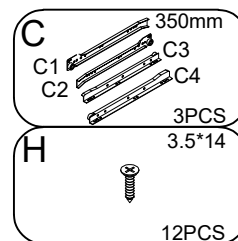
x3

STEP 14



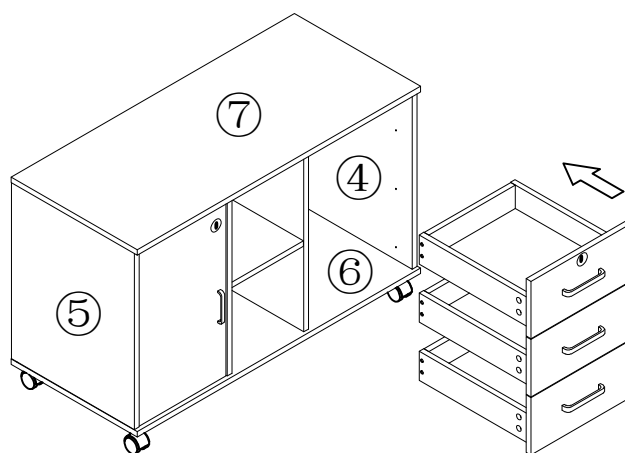
x2

STEP 15


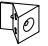


X3

STEP 16



STEP 17

G	3*12
	
	24PCS
M	
	24PCS

