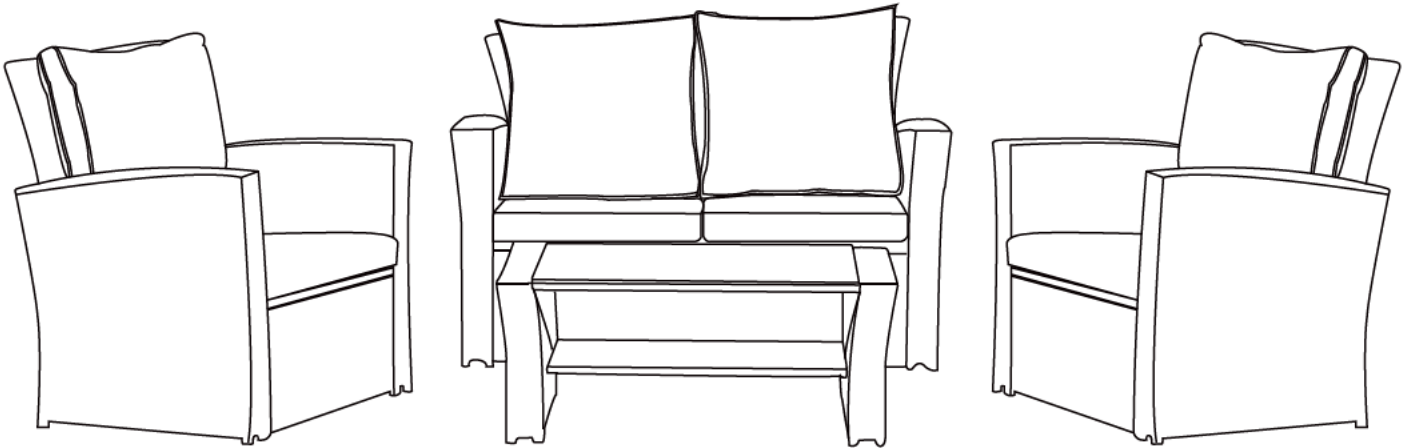


PATIO FURNITURE SET

**There is no need to return your furniture set.
Contact us for after-sale service!**



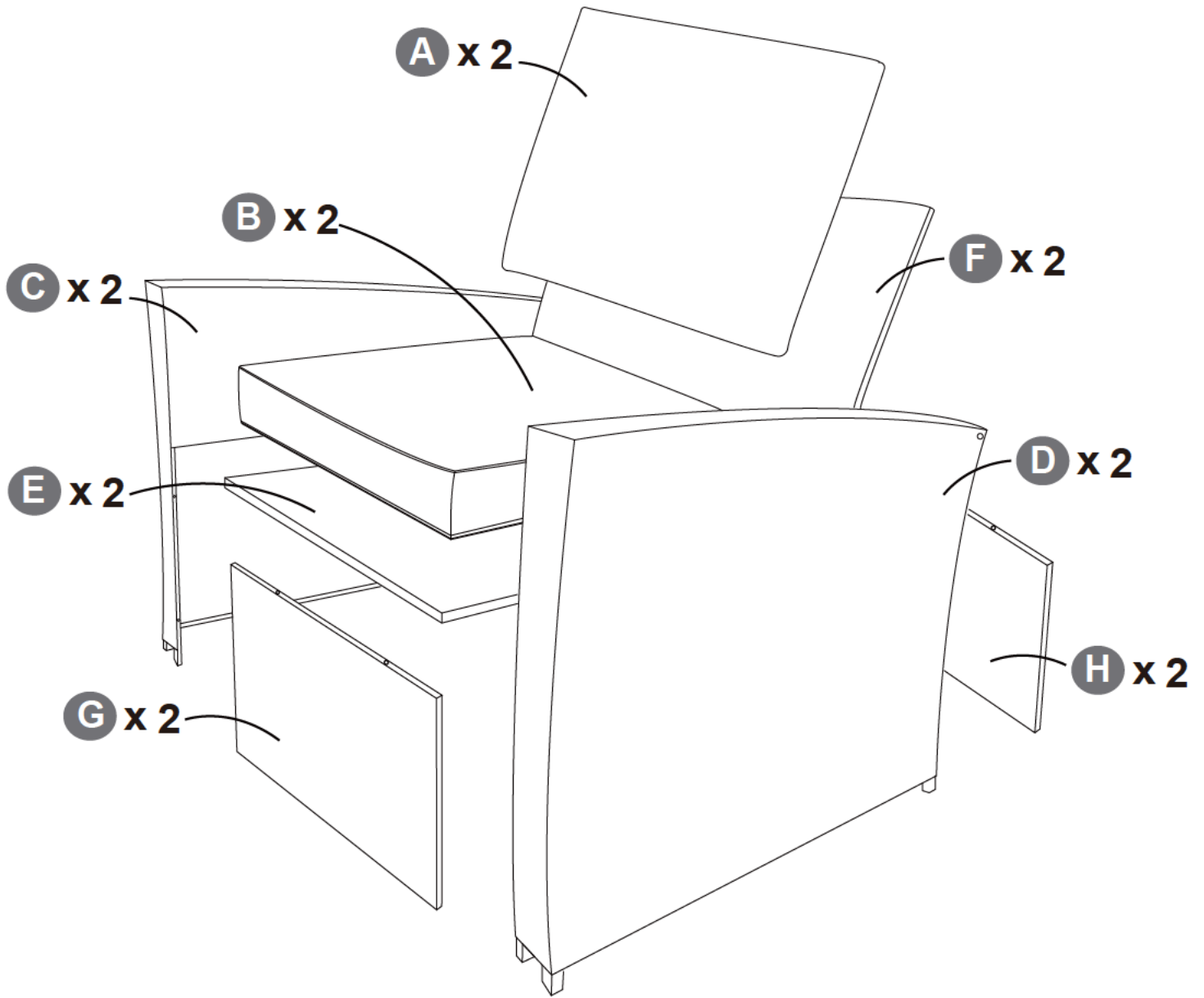
NOTICE




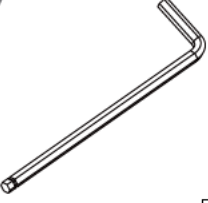
Please keep these instructions for future reference.

Dear Customer

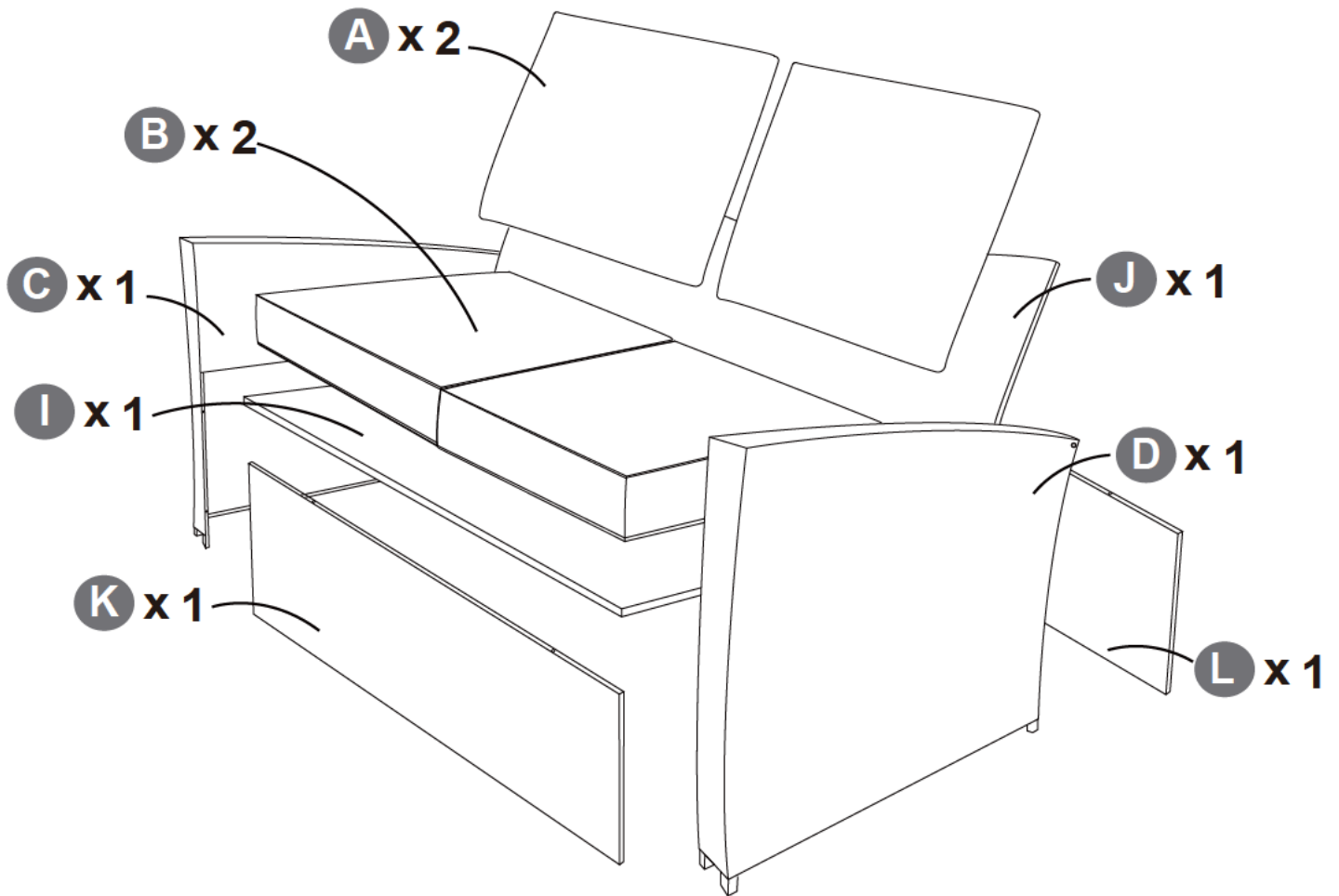
- Thank you for your purchase. When you receive the product, please make sure that all the parts are intact. Then follow the entire installation instructions to install!
 - There is an installation video on the product page, you can open the product page to view it or contact customer service to receive it.
- A** . The outer box is damaged
 - B** . The product is damaged / bent / cracked while you open the box
 - C** . The parts / accessories / assembly tools are missing
 - D** . The instructions are not clear and can not be referred
 - E** . The product has functional problems
 - F** . Other aspects that you are not satisfied with




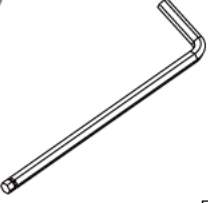
PART LIST



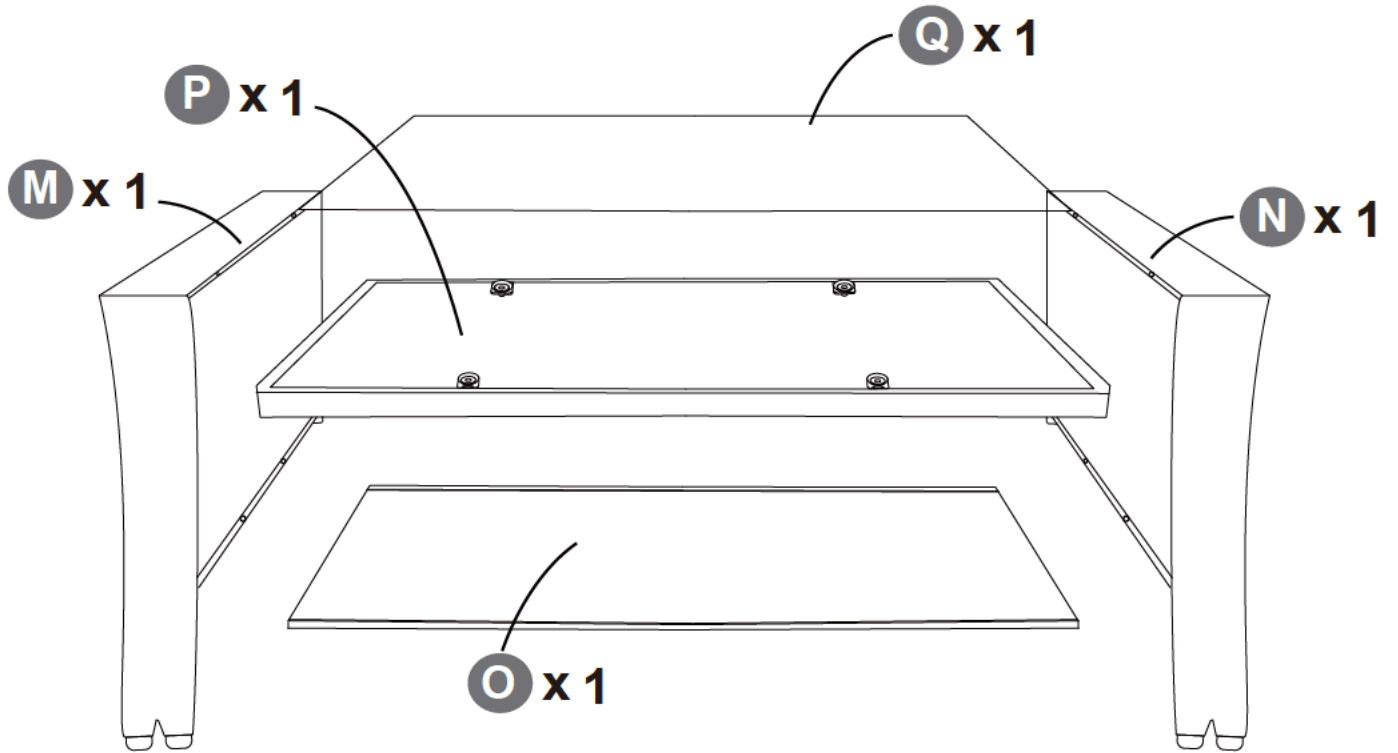
1  M6*30MM x 34	2  M6*35MM x 4	3  x 38	4  x 1
--	---	--	--



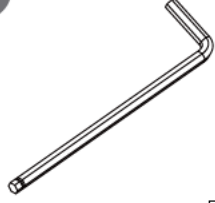
PART LIST



1  M6*30MM x 18	2  M6*35MM x 2	3  x 20	4  x 1
--	---	--	--

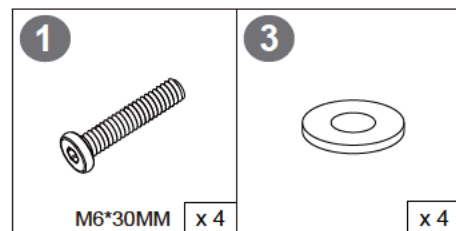
PART LIST



1  M6*30MM x 8	3  x 8	4  x 1
---	--	--

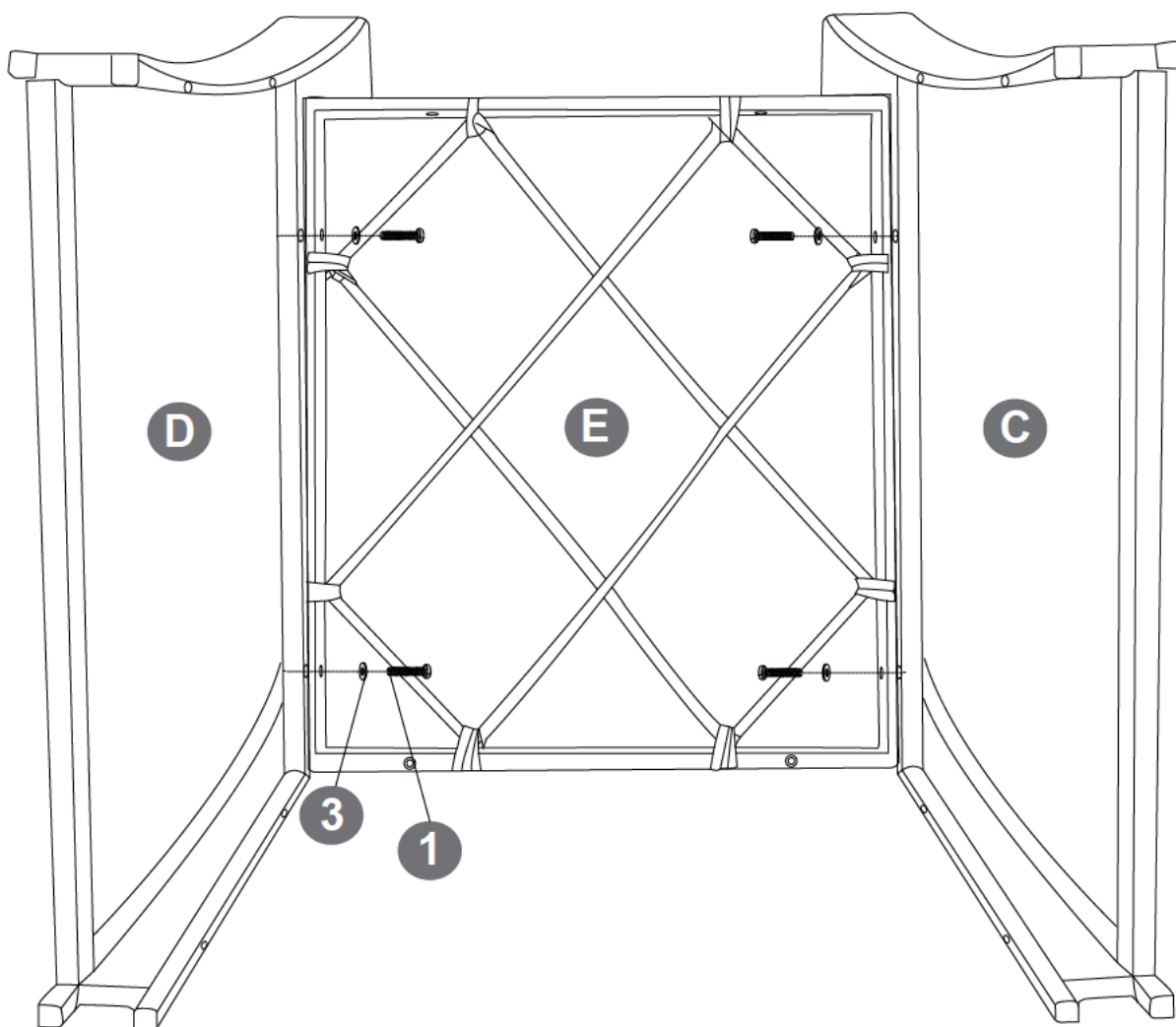
STEP

1



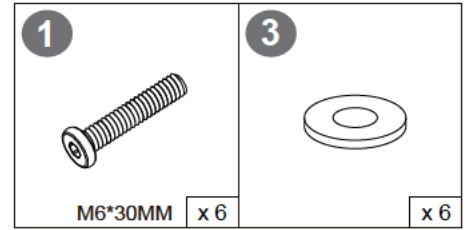
Install the seat plate (part E) with the product's armrests facing down first.

(Tips: Screws first fixed to 80%.after all holes are aligned, then fixed to 100%)



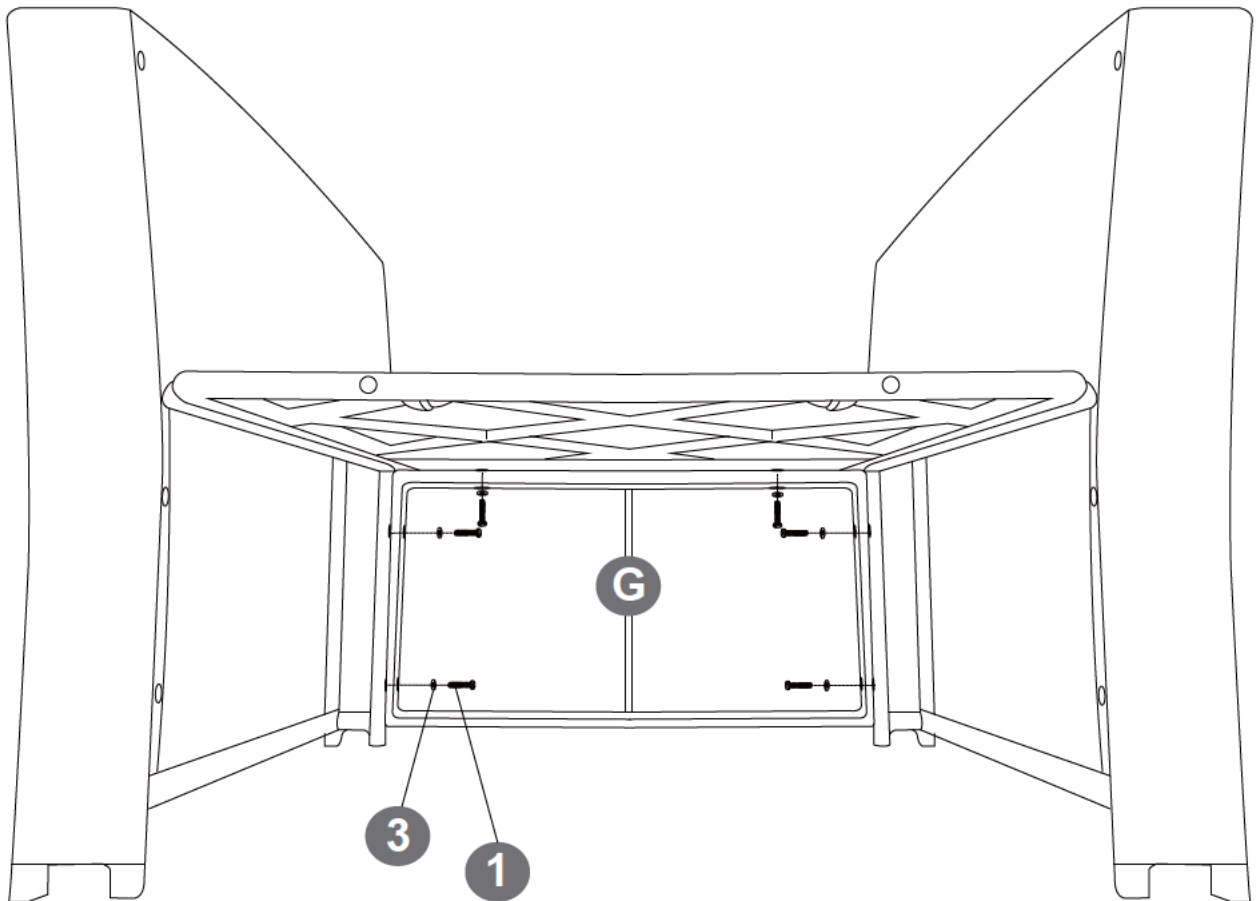
STEP

2



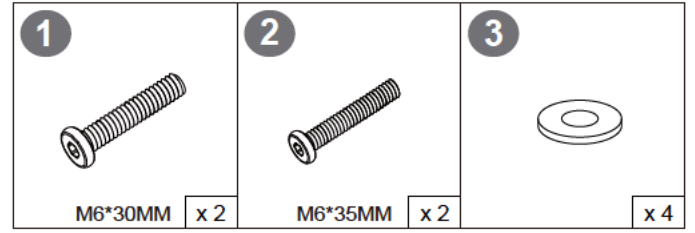
Then continue to install the front apron (part G) .

(Tips: Screws first fixed to 80%.after all holes are aligned, then fixed to 100%)



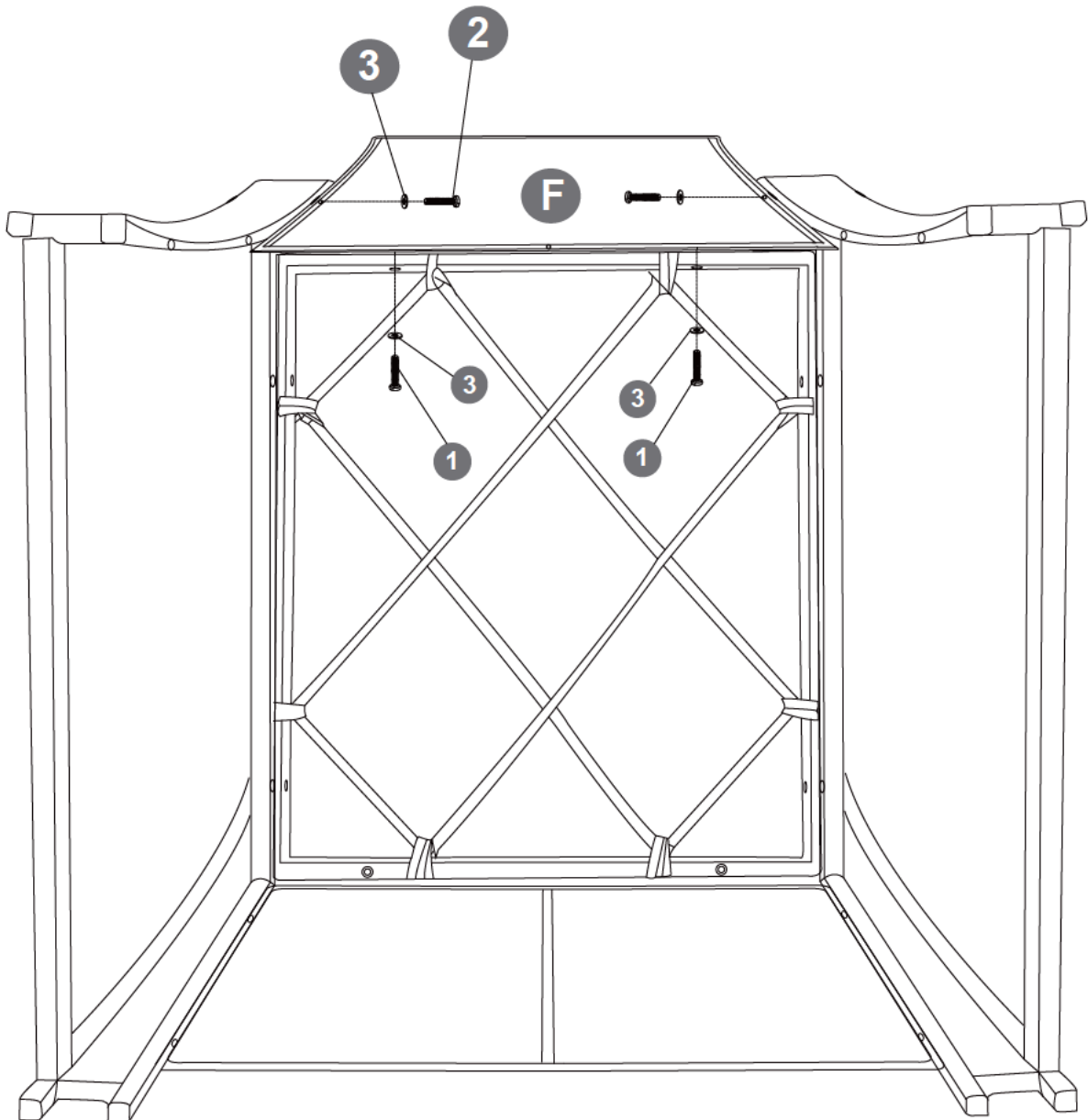
STEP

3



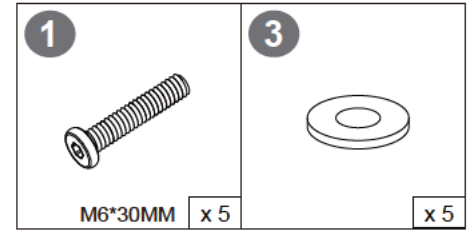
Secure the ends of the backboard (part F) to the armrests (part D,C) on both sides with #2 nails, then secure the underside of the backboard from the bottom up.

(Tips: Screws first fixed to 80%.after all holes are aligned, then fixed to 100%)



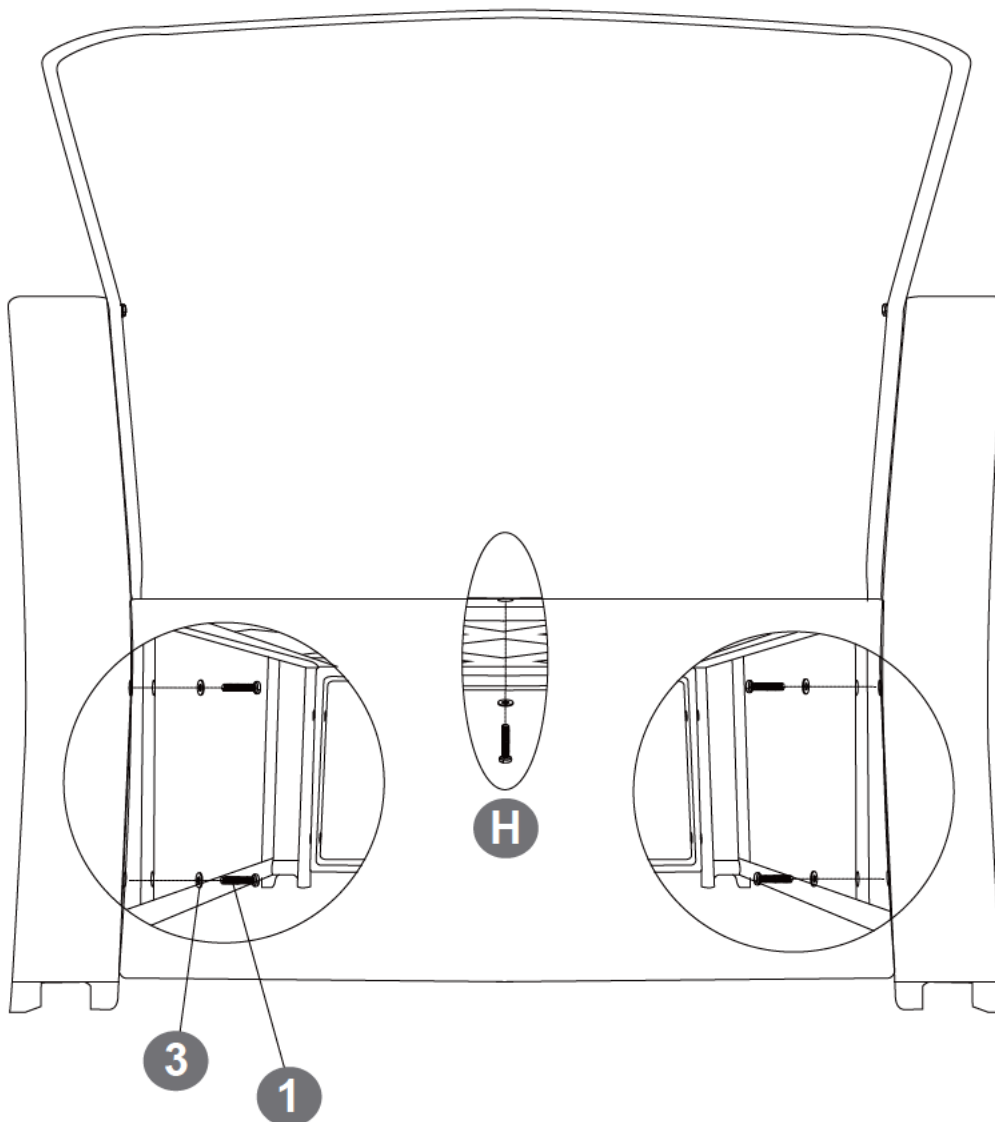
STEP

4



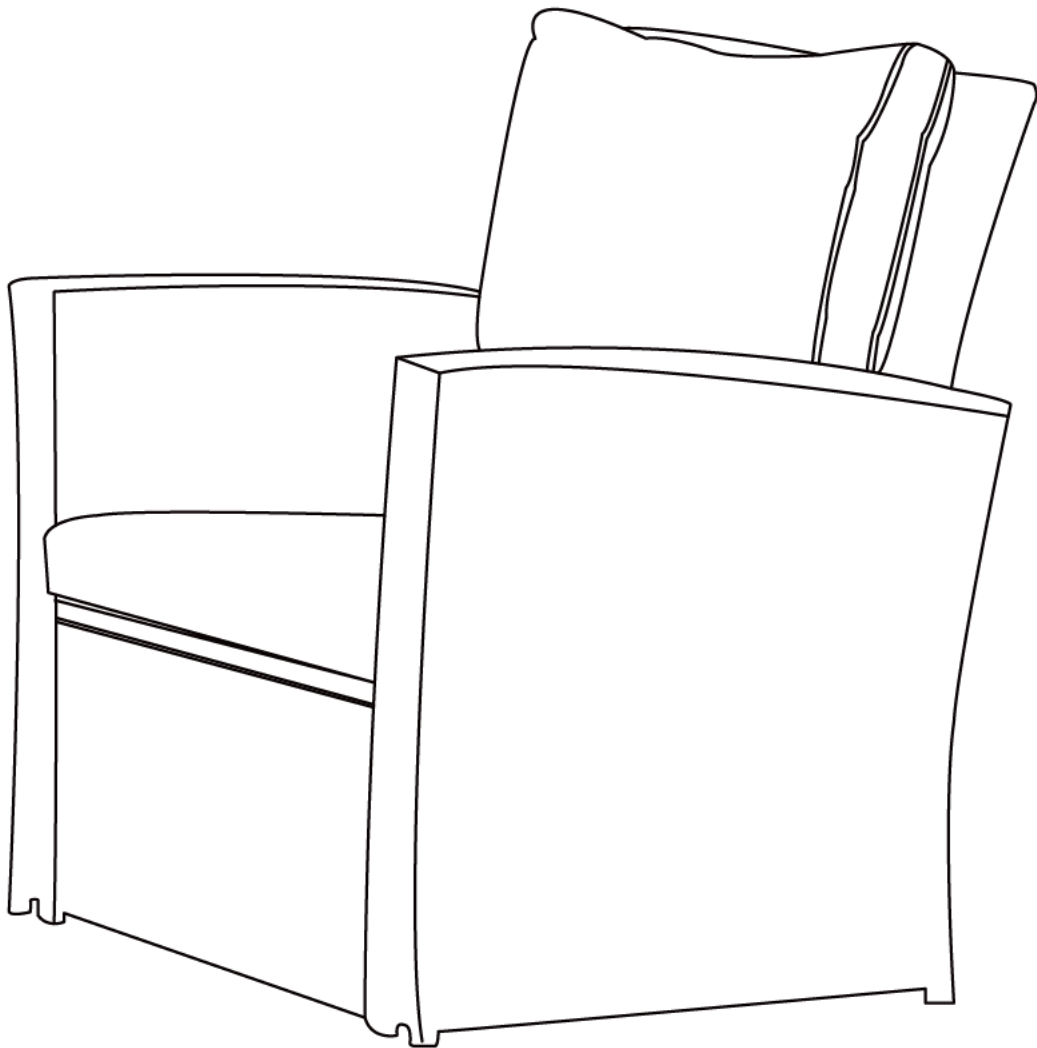
Finally, install the rear baffle (part H) as shown in the illustration and the product installation is complete.

(Tips: Screws first fixed to 80%.after all holes are aligned, then fixed to 100%)



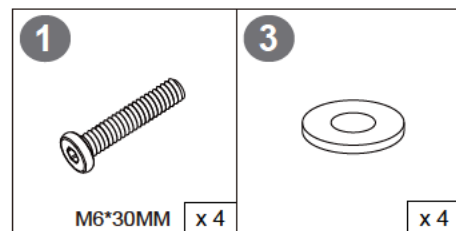
STEP

5



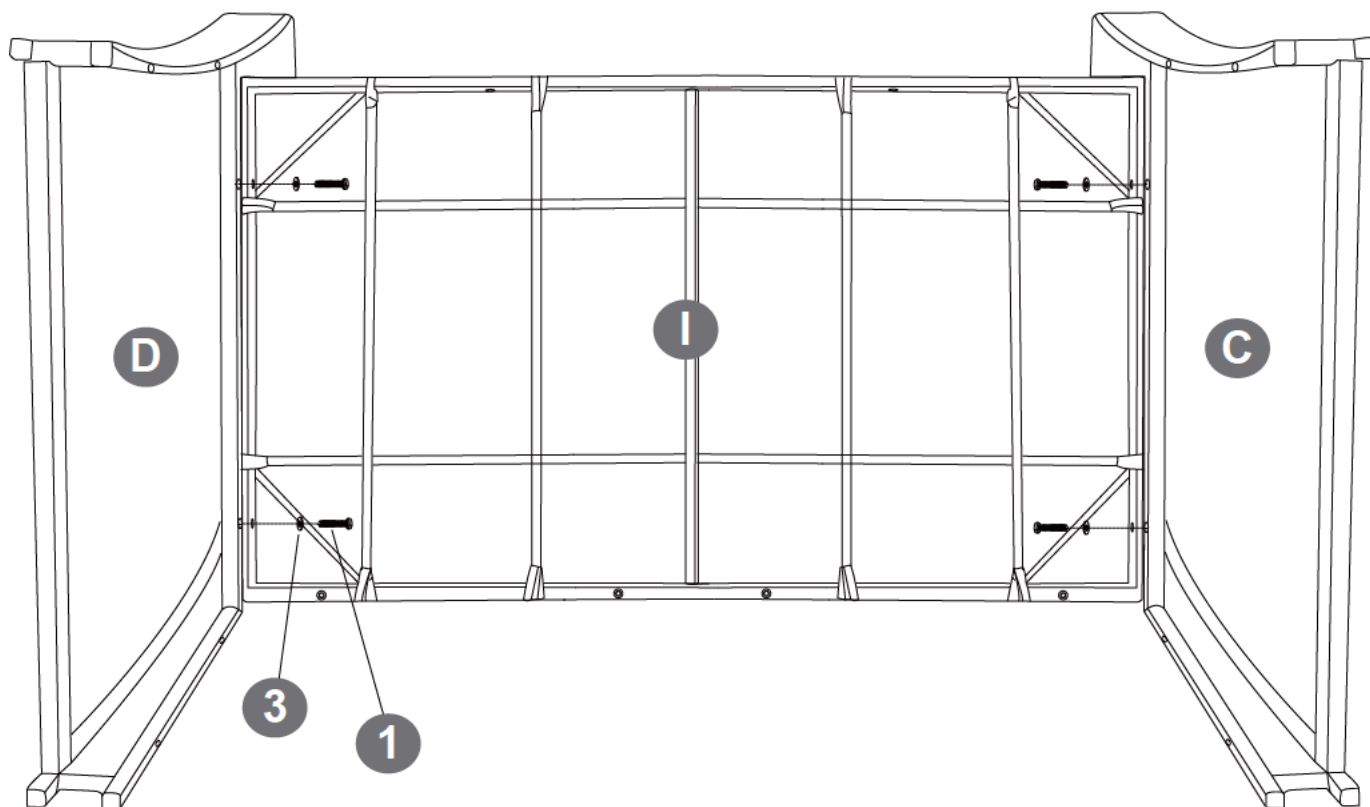
STEP

1



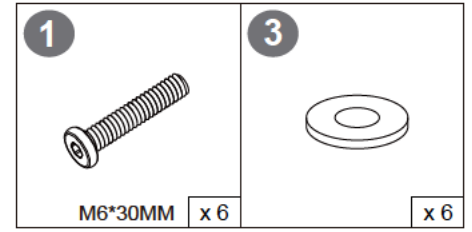
Install the seat plate (part I) with the product's armrests facing down first.

(Tips: Screws first fixed to 80%.after all holes are aligned, then fixed to 100%)



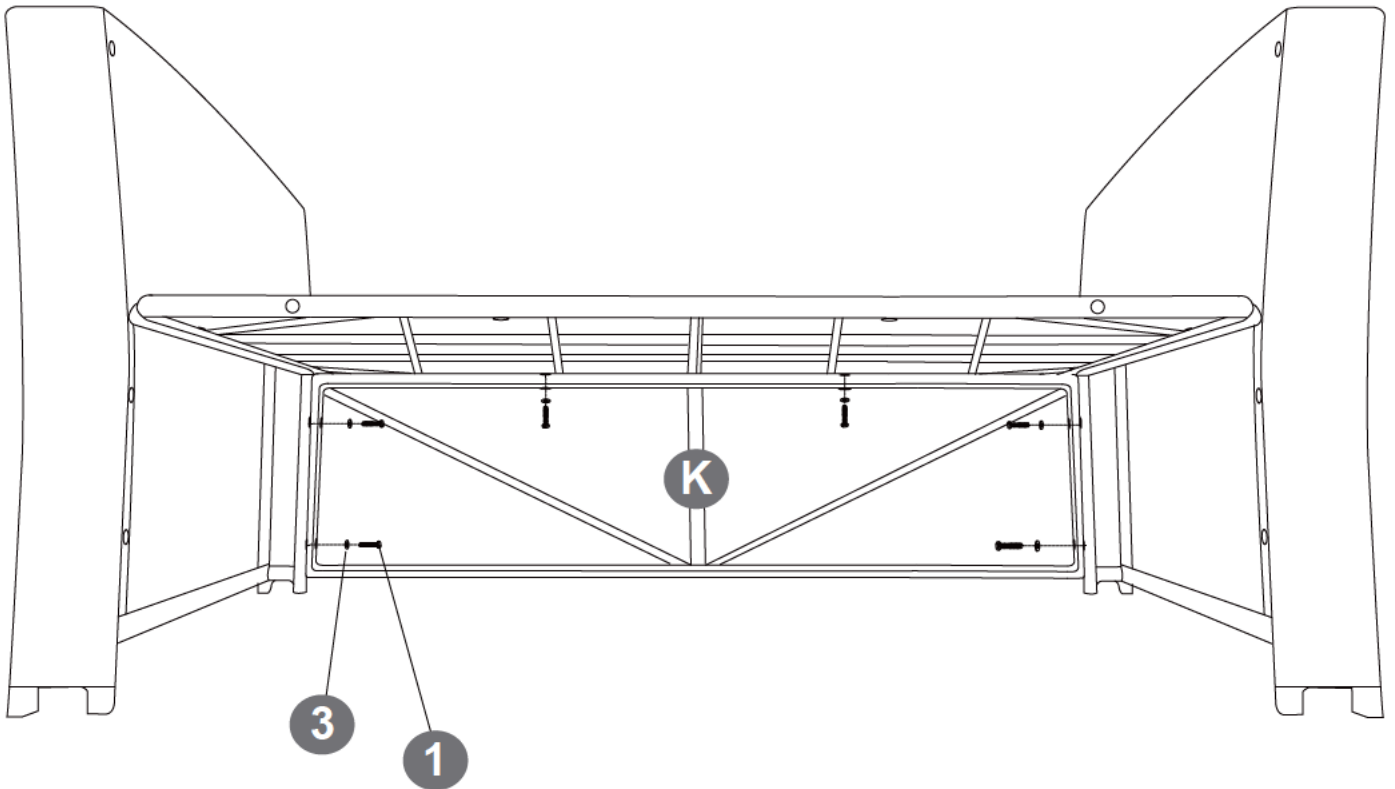
STEP

2



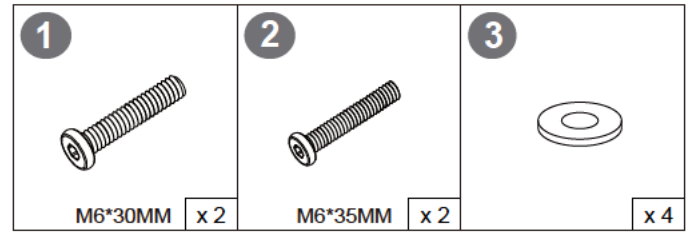
Then continue to install the front apron (part K) .

(Tips: Screws first fixed to 80%.after all holes are aligned, then fixed to 100%)



STEP

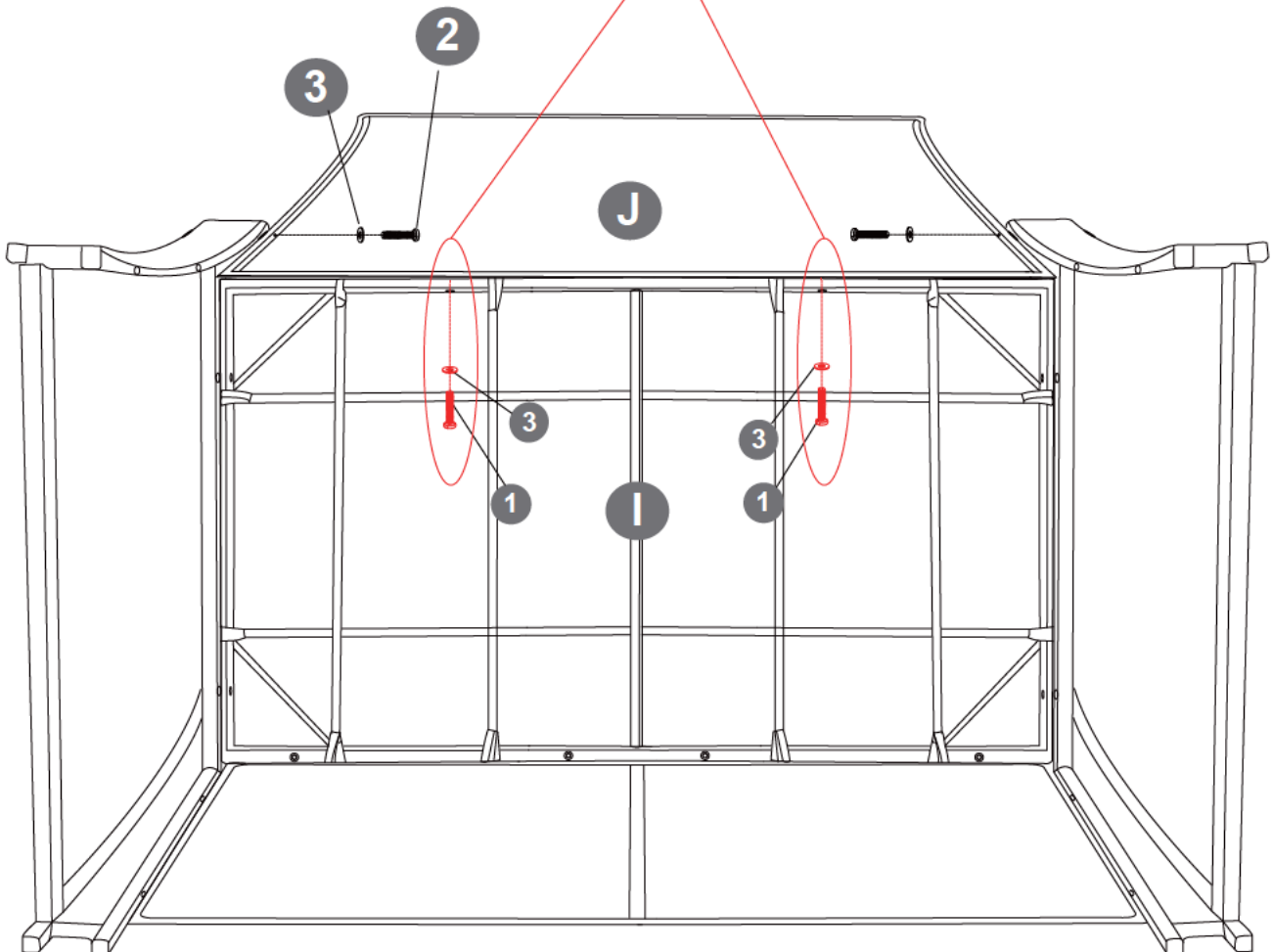
3



Secure the ends of the backboard (part J) to the armrests (part D,C) on both sides with #2 nails, then secure the underside of the backboard from the bottom up.

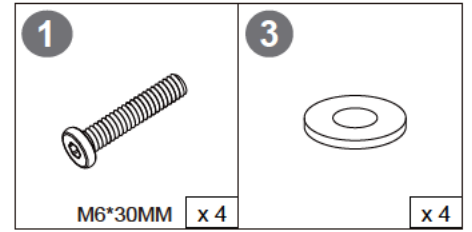
(Tips: Screws first fixed to 80%.after all holes are aligned, then fixed to 100%)

Note: Part J and Part I also require two screws for fastening.



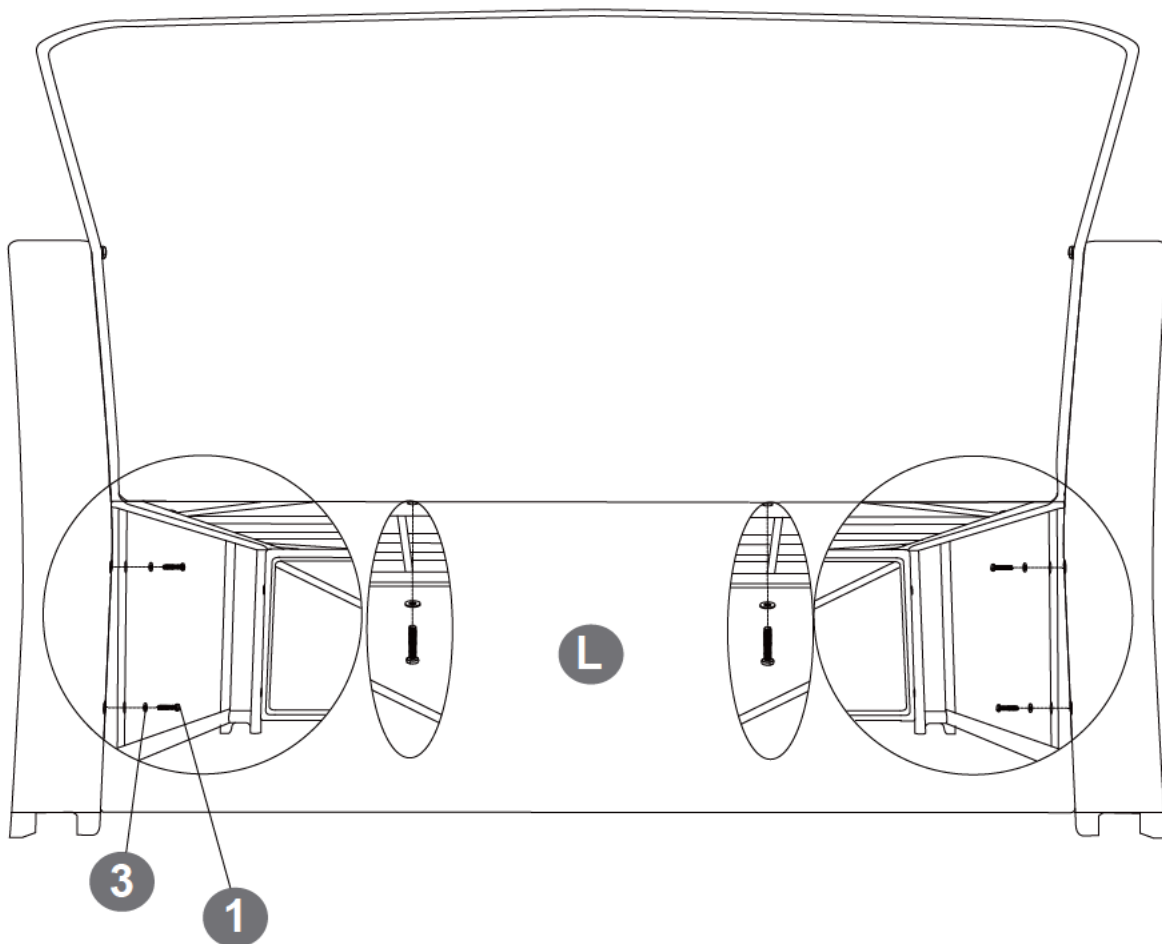
STEP

4



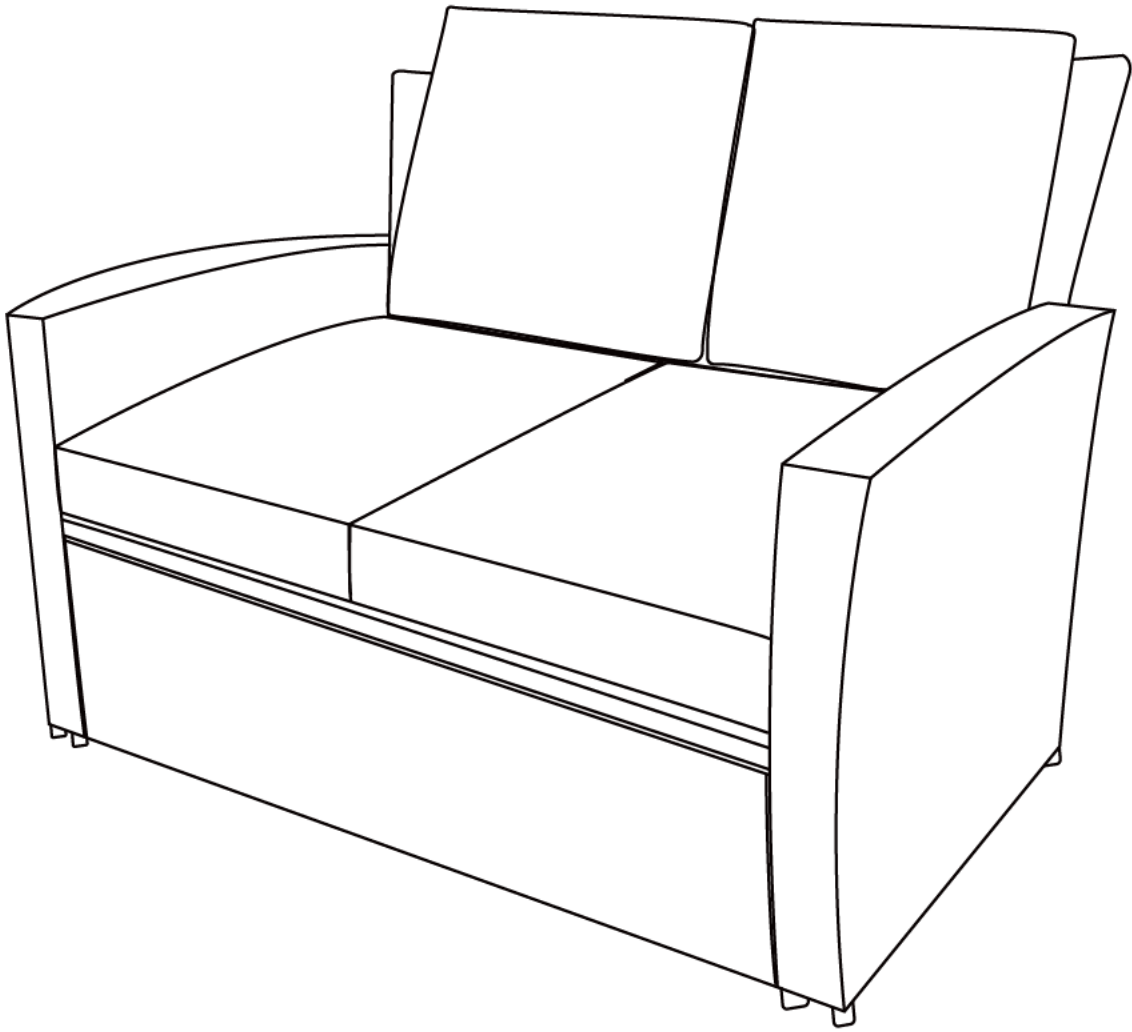
Finally, install the rear baffle (part L) as shown in the illustration and the product installation is complete.

(Tips: Screws first fixed to 80%.after all holes are aligned, then fixed to 100%)



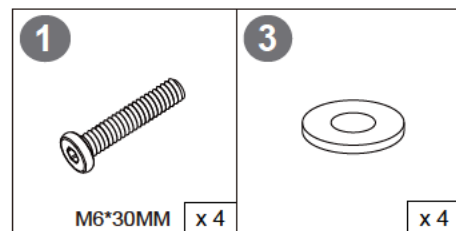
STEP

5

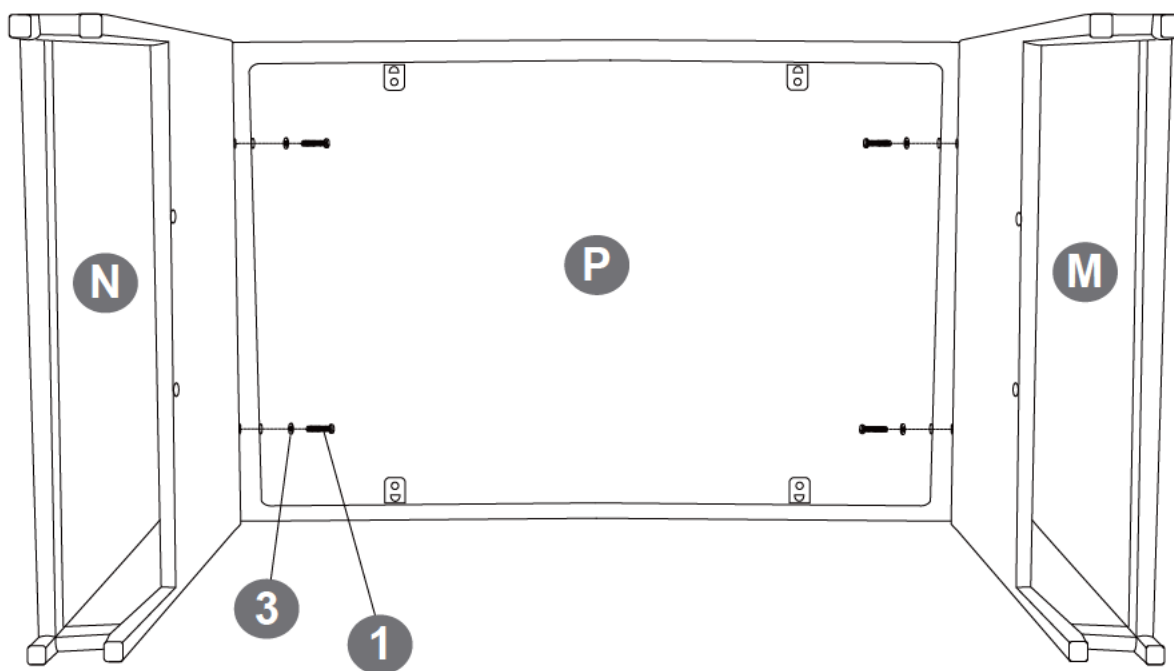


STEP

1

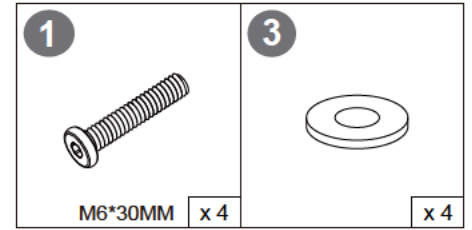


Invert the coffee table support legs (part N,M) and install the panel (part P) .
(Tips: Screws first fixed to 80%.after all holes are aligned, then fixed to 100%)



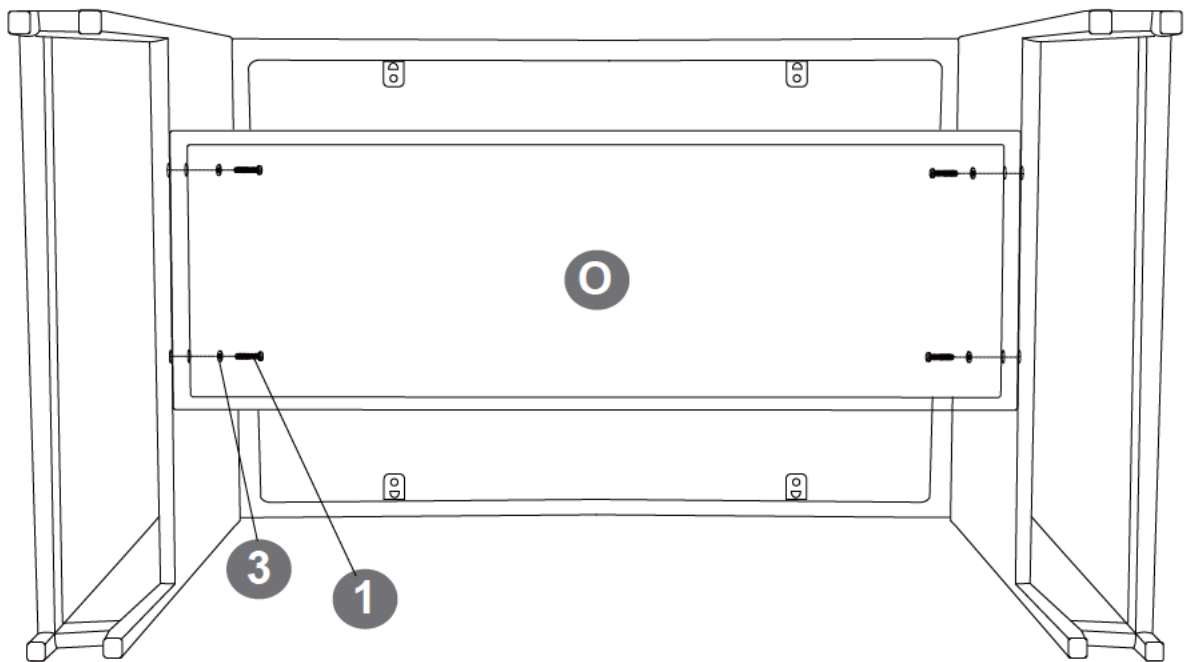
STEP

2



Then proceed to install the base plate (part O) .

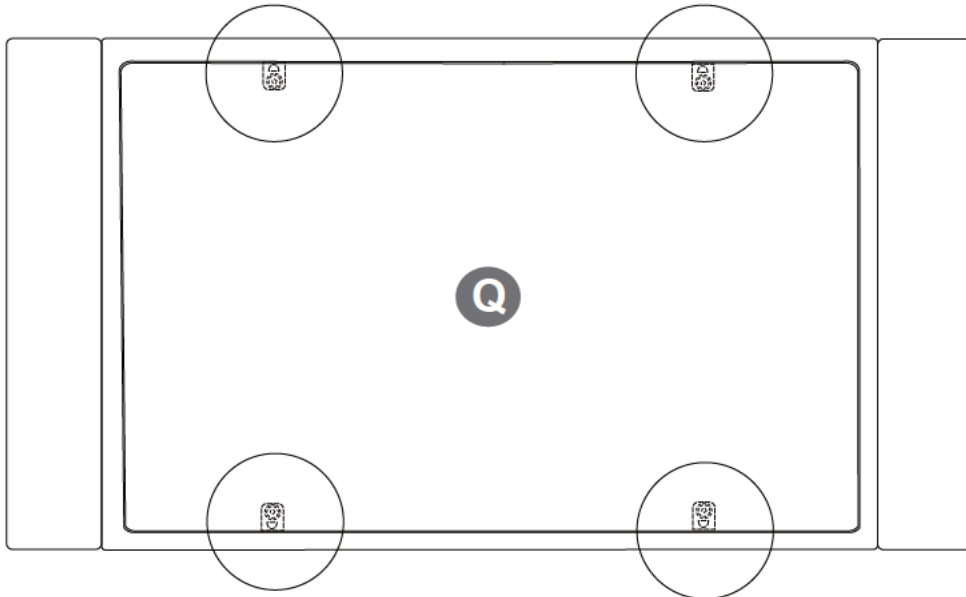
(Tips: Screws first fixed to 80%.after all holes are aligned, then fixed to 100%)



STEP

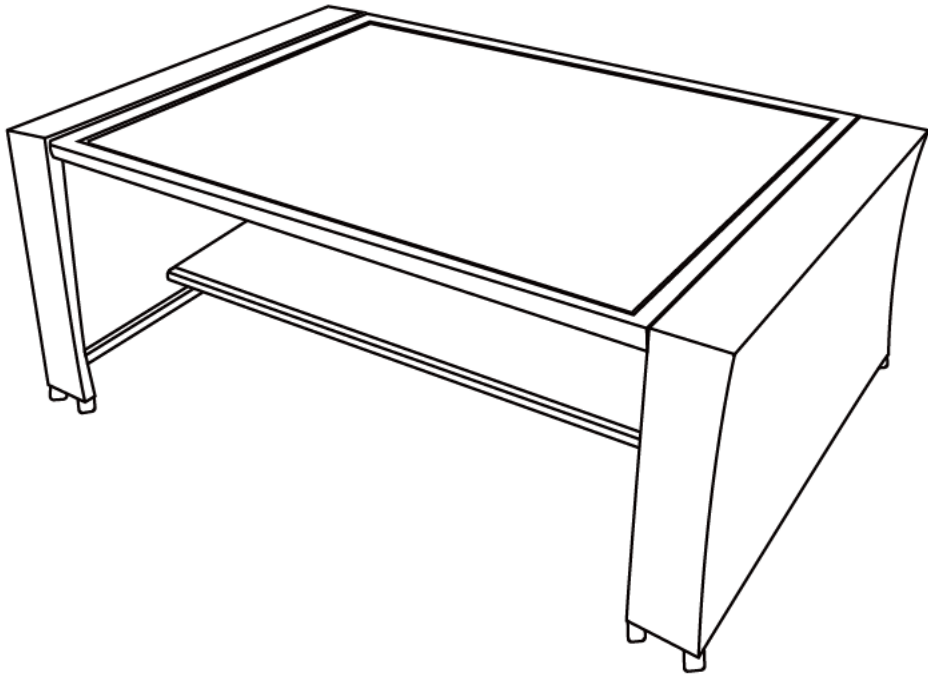
3

Finally, the coffee table will be placed squarely, the glass (part Q) will be placed on the suction cups, the product assembly is complete!

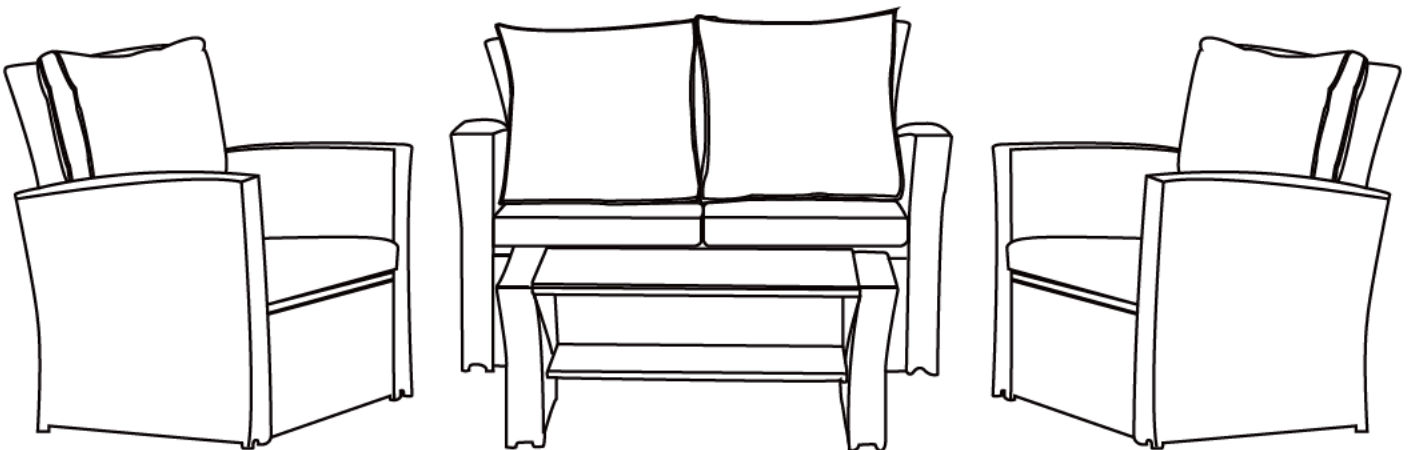


STEP

4



5



AFTER-SALE SERVICE

If you have any suggestions for our products or find that the products have quality problems, please contact us first, our after-sales team will reply you within 24 hours, and we will do our best to give you solutions until you are satisfied.

Guaranteed Customer Service

Your shopping experience is very important to us!
Feel unsatisfied? **Contact us!**
Have any questions? **Contact us!**

Wanna Share how wonderful our smart promakes your home?
Share your pictures with us.
Any suggestions? **Contact us!**
We gotcha back!