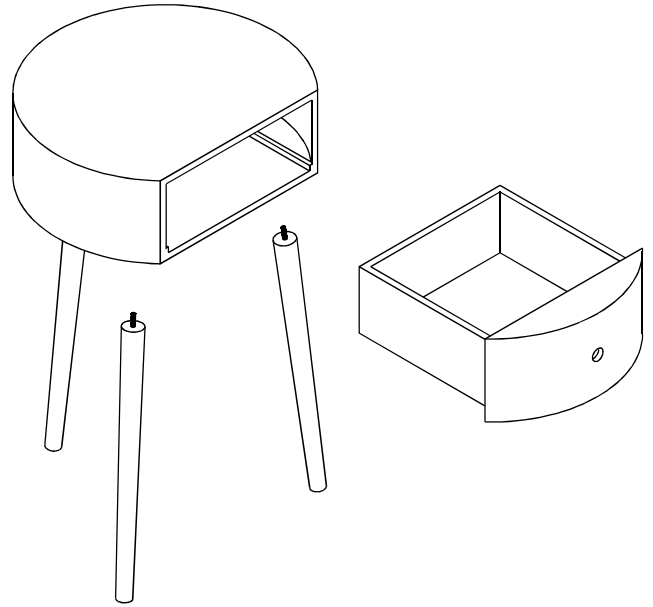
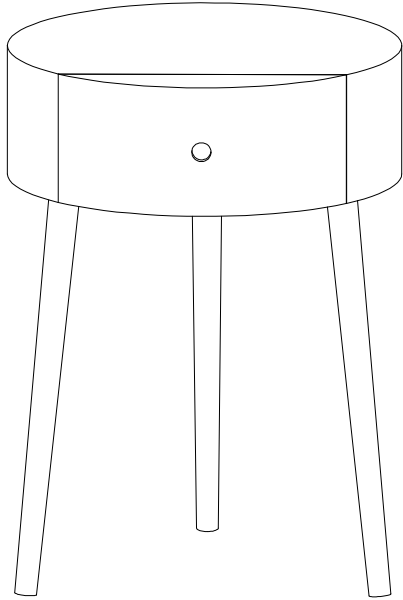
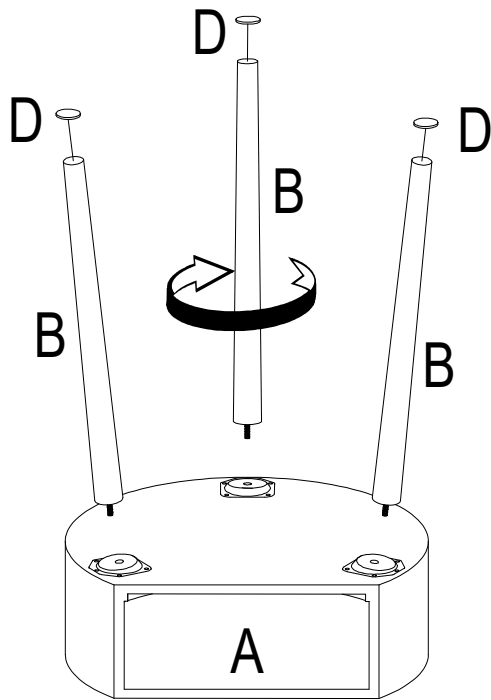


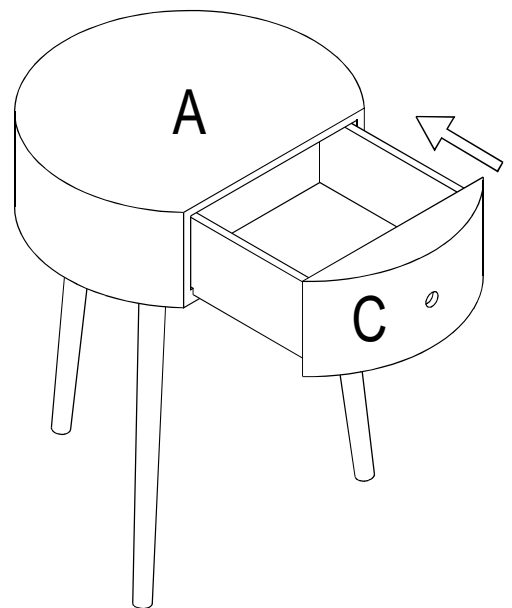
ASSEMBLY INSTRUCTIONS



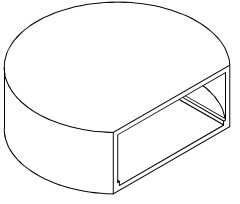
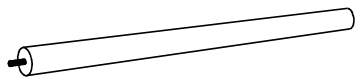
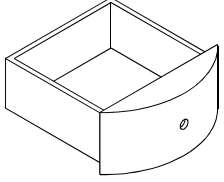

STEP 1



STEP 2



PARTS LIST

Ax1 	Bx3 	Cx1 	Dx3 
--	--	---	--