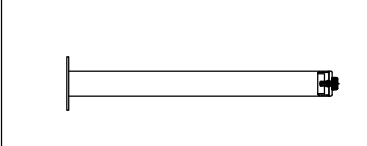

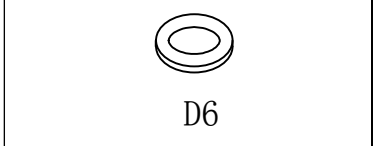
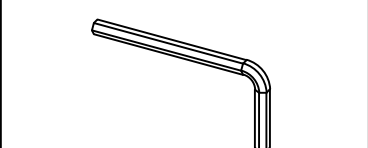

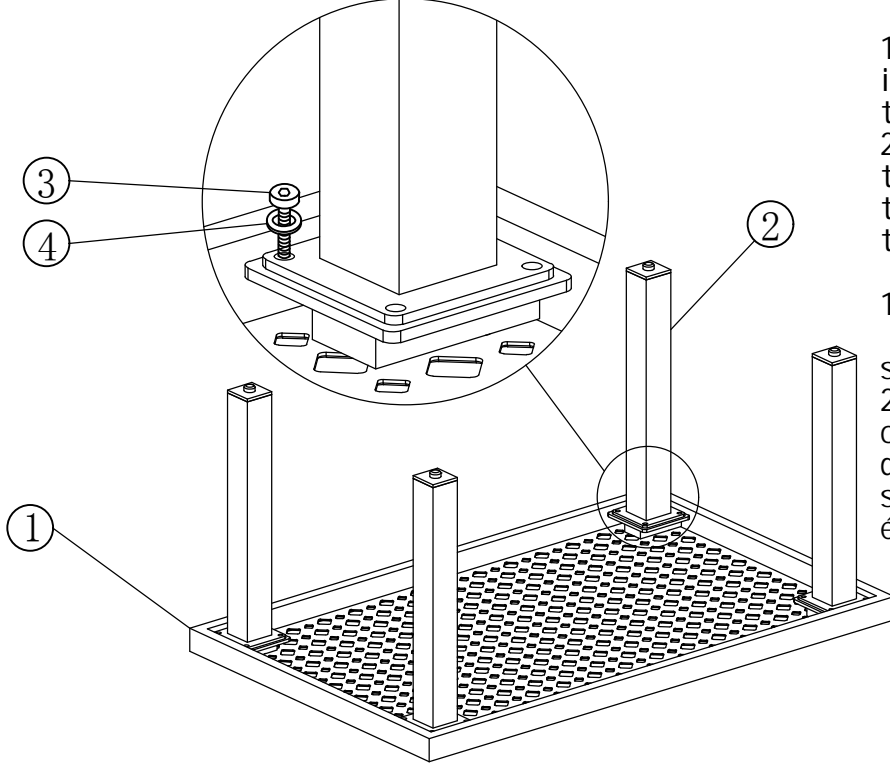
 <p>① 1 X</p>	 <p>② 4 X</p>	 <p>M6X12</p> <p>③ 16 X</p>	 <p>D6</p> <p>④ 16 X</p>
 <p>⑤ 1 X</p>	 <p>Website: www.casainc.com Contact Phone Number: 888-257-3857 Service Contact : service@casainc.com</p> <p>Site Internet: www.casainc.com Num é rode T é l é phone: 888-257-3857 Email de Service Client : service@casainc.com</p>		

1



1. Fix all the screws in place, without tightening them first.
2. After confirming the position of all the screws, tighten the screws and nuts.

1. Fixez toutes les vis en place, sans les serrer au préalable.
2. Après avoir confirmé la position de toutes les vis, serrez les vis et les écrous.

2

