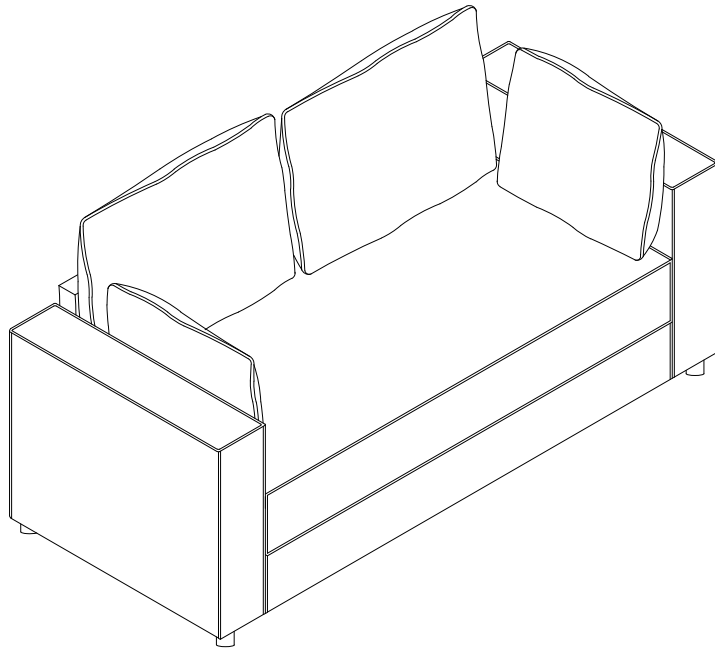
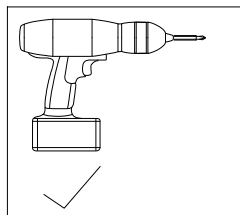


ASSEMBLY INSTRUCTION

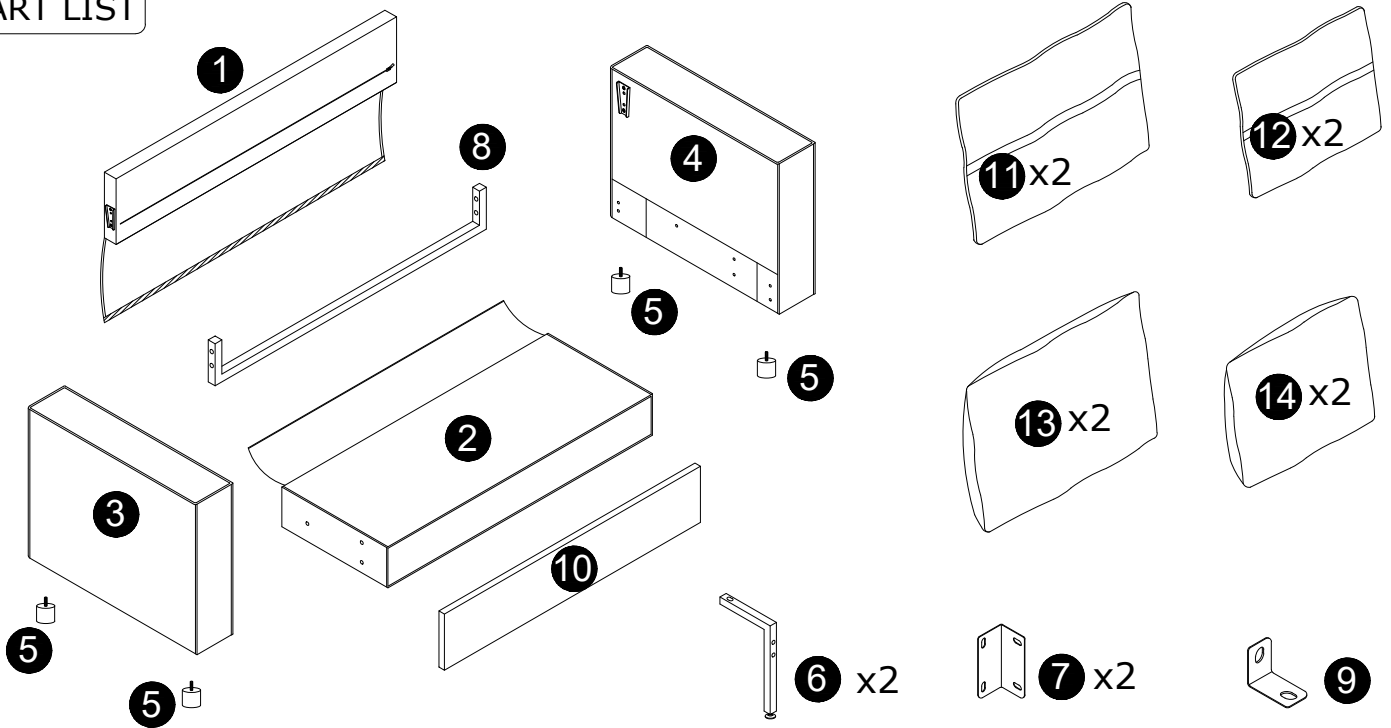


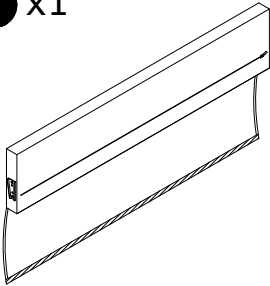
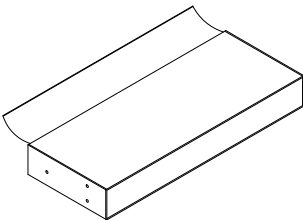
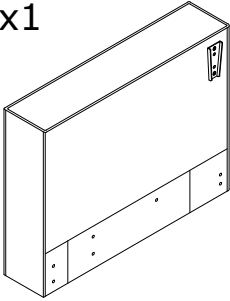
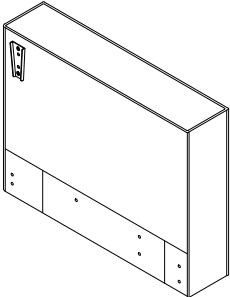
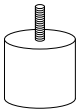
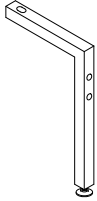
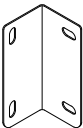
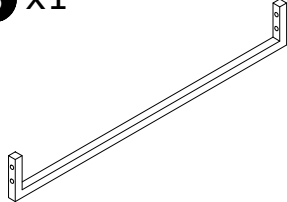
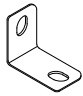
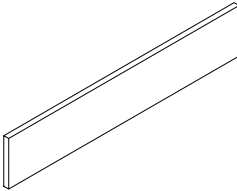
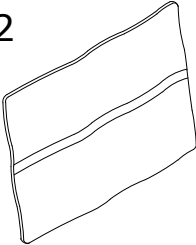
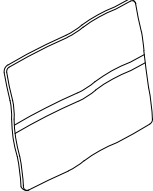
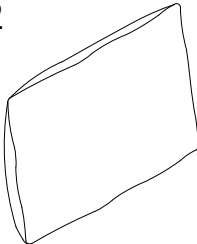
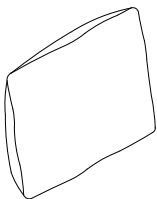
IMPORTANT NOTE

1. FOR THE PROTECTION OF YOUR FURNITURE, PLACE ALL PARTS ON A CLEAN AND SMOOTH SURFACE TO PREVENT ANY DAMAGE.
2. DO NOT USE POWER TOOLS TO ASSEMBLE THE SOFA.
3. PLEASE PERIODICALLY CHECK ALL FITTINGS AND RE-TIGHTEN AS NECESSARY.
4. DO NOT USE THE SOFA UNLESS ALL BOLTS AND SCREWS ARE FIRMLY SECURED.
5. NEED PARTS OR ASSISTANCE? EMAIL US AT fuwubumen@outlook.com
6. YOU CAN ASSEMBLE IT WITH OUR PACKAGING TOOLS OR WITH A.



PART LIST



<p>1 x1</p> 	<p>2 x1</p> 	<p>3 x1</p> 	<p>4 x1</p> 
<p>5 x4</p> 	<p>6 x2</p> 	<p>7 x2</p> 	<p>8 x1</p> 
<p>9 x1</p> 	<p>10 x1</p> 	<p>11 x2</p> 	<p>12 x2</p> 
<p>13 x2</p> 	<p>14 x2</p> 		

HARDWARE LIST



H1 M5 x 1pc



H2 M8x20mm x 10pcs



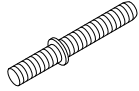
H3 M8 x 6pcs



H4 M8x17mm x 20pcs



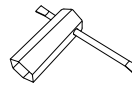
H5 M8x22mm x 6pcs



H6 M8x80mm x 6pcs



H7 M8 x 6pcs

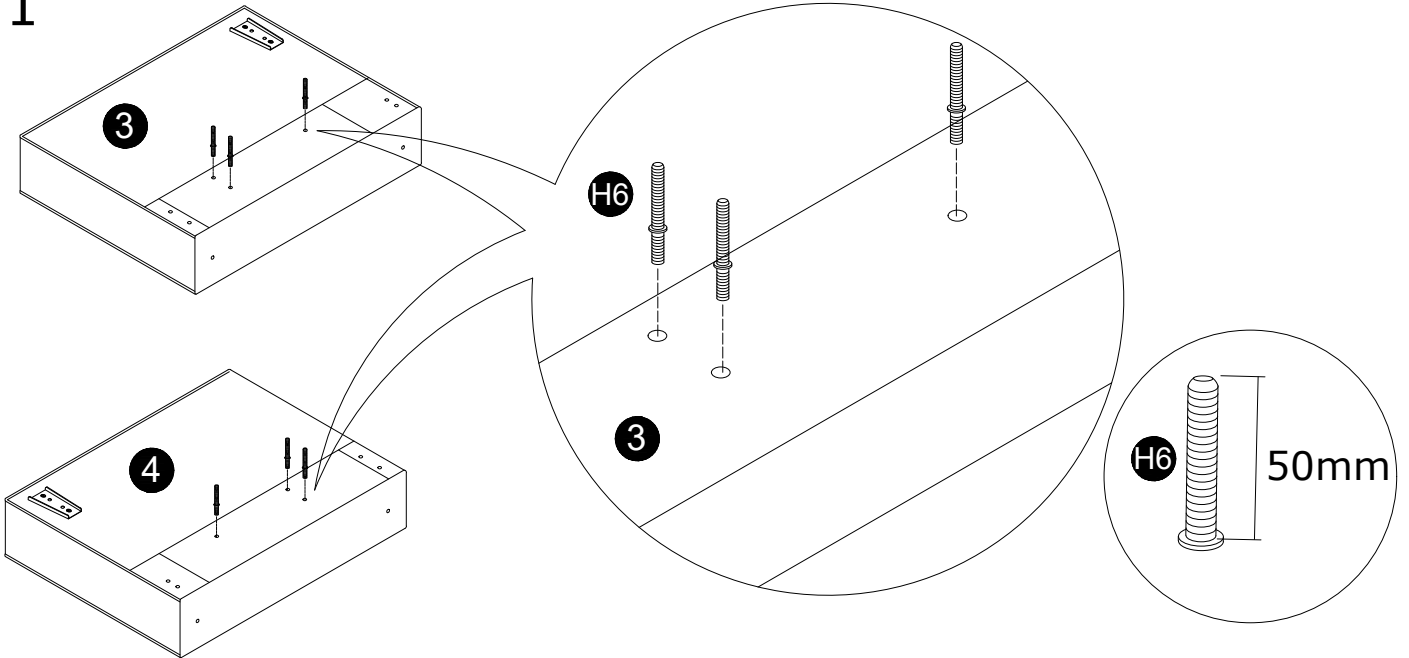


H8 x 1pc

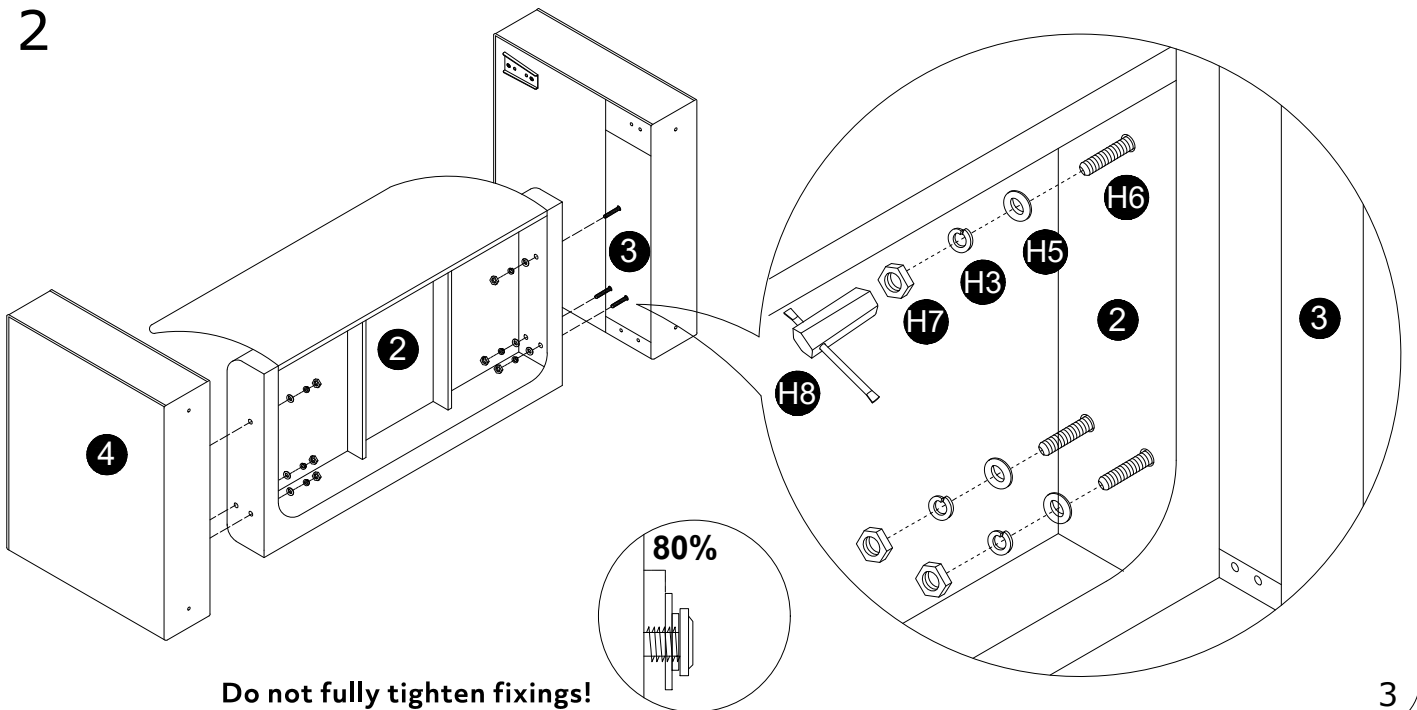


H9 M8x40mm x 10pcs

1



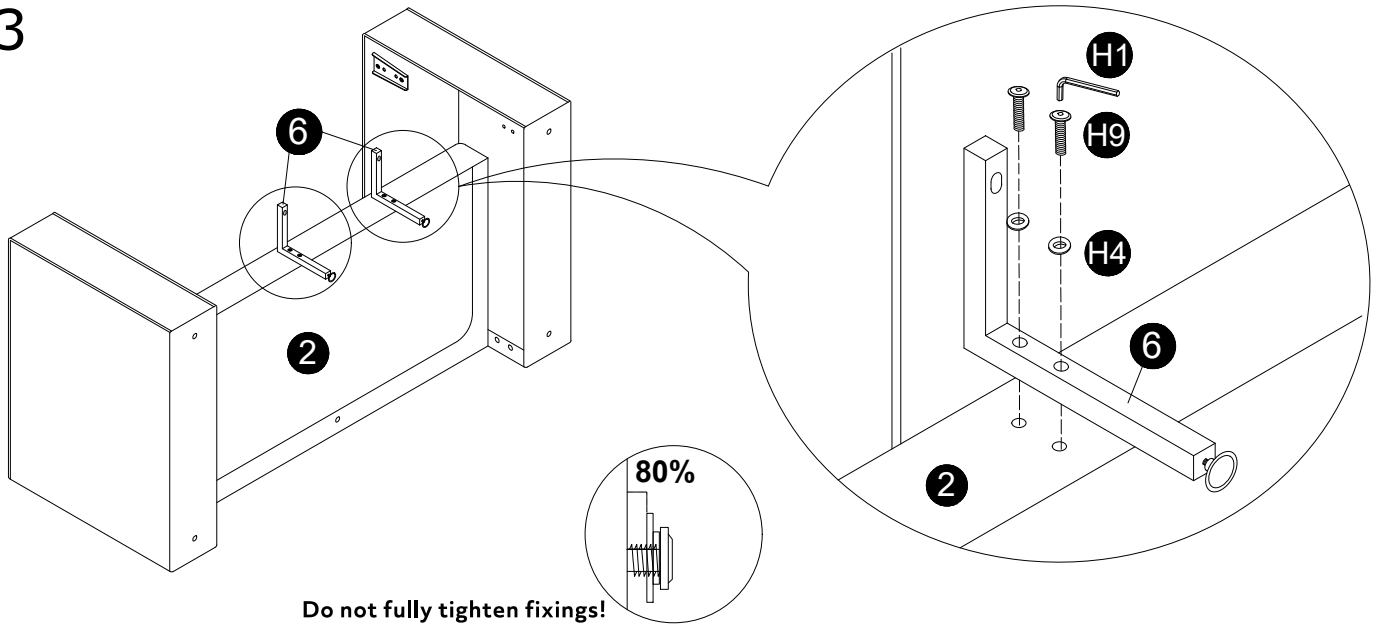
2



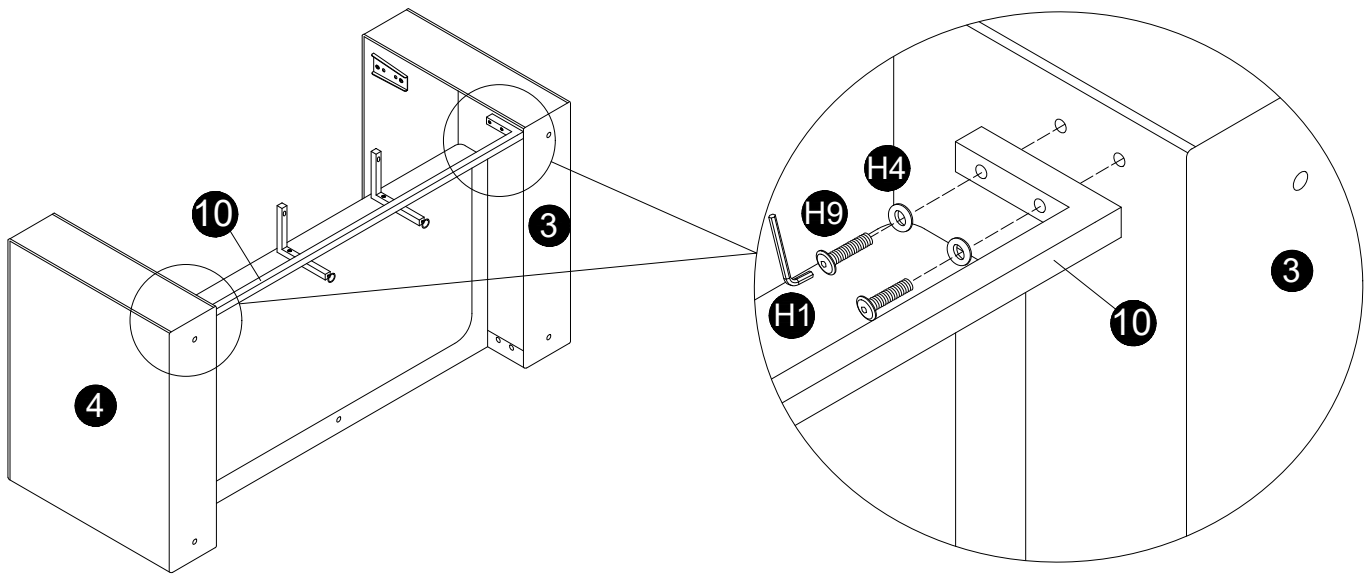
Do not fully tighten fixings!

3

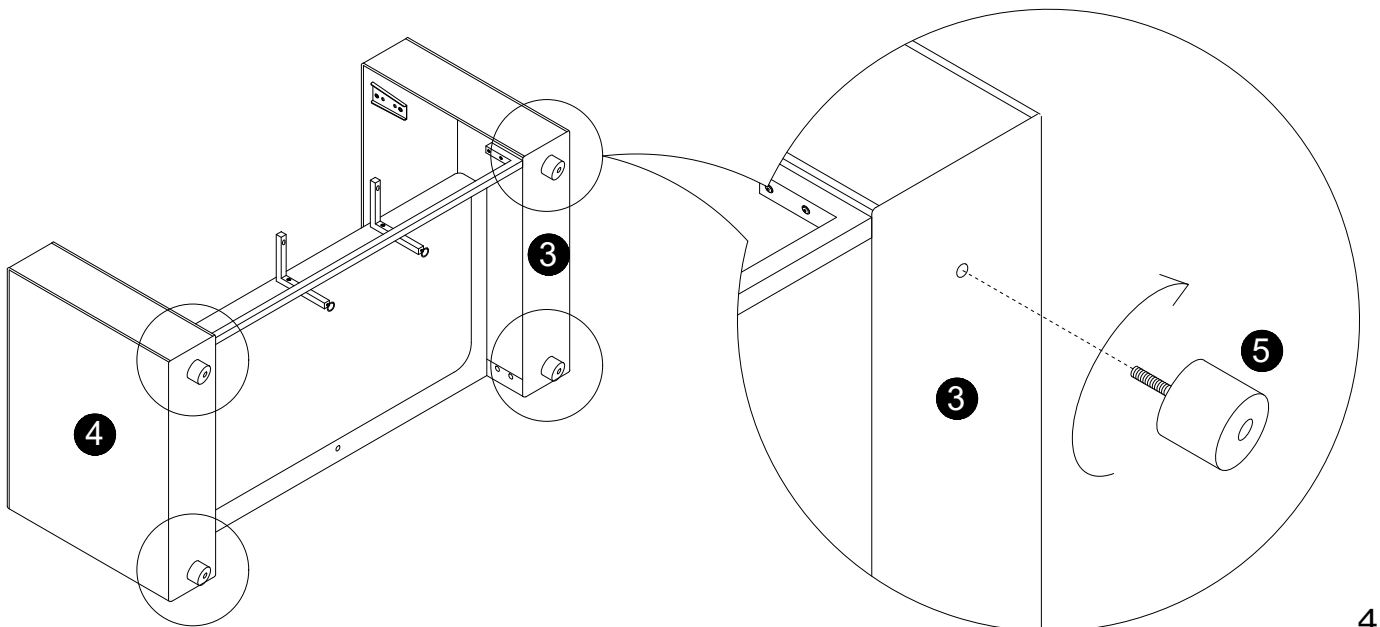
3



4

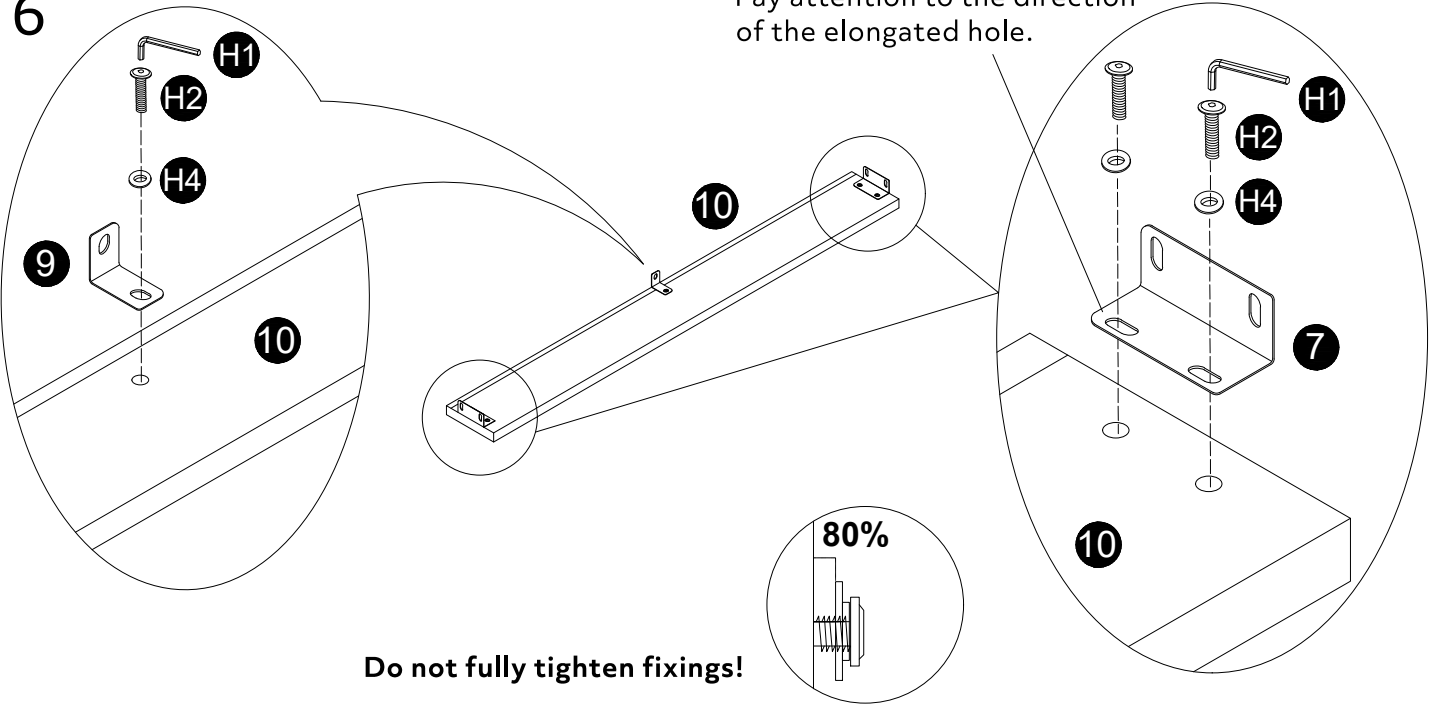


5



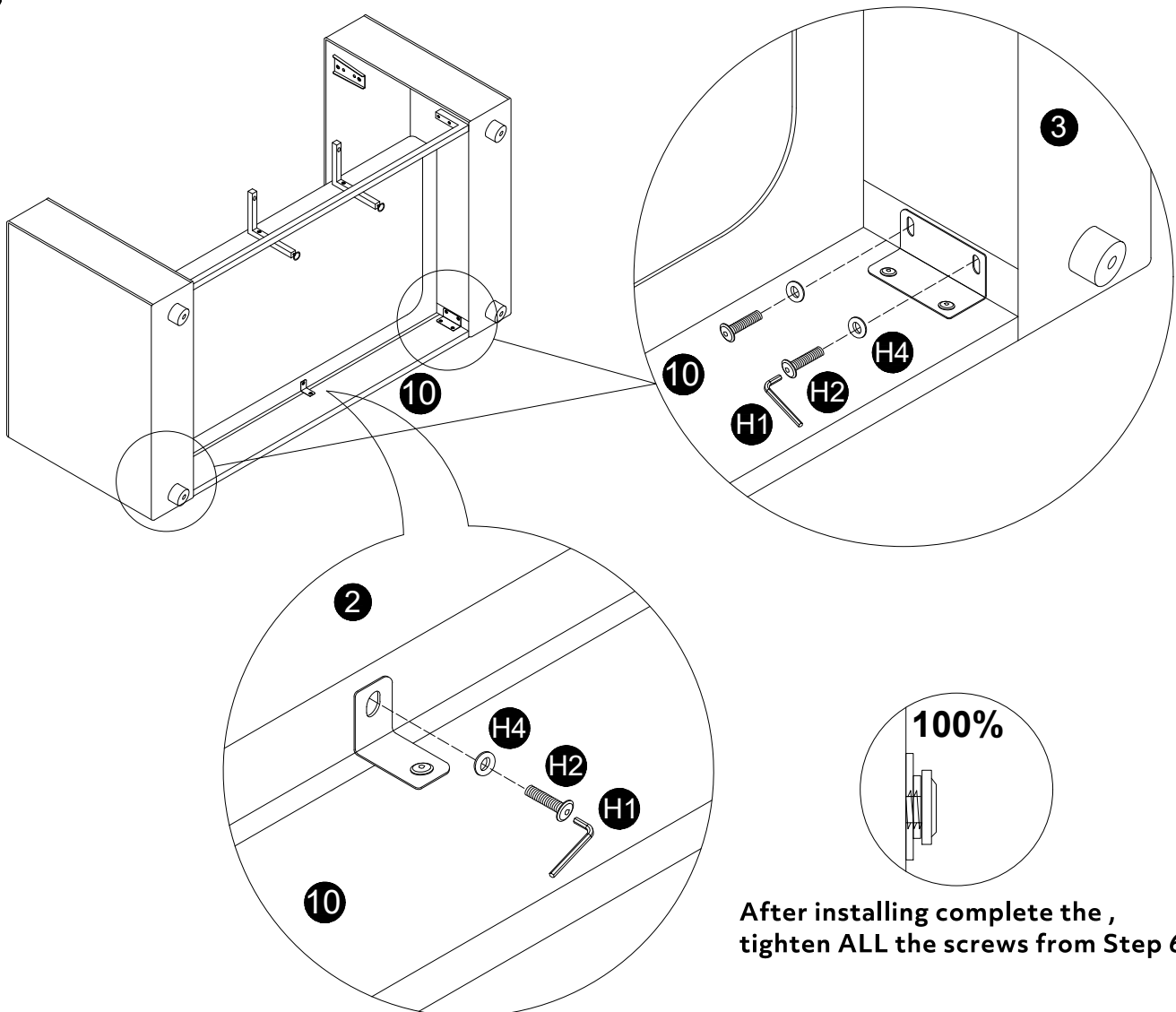
6

Pay attention to the direction of the elongated hole.



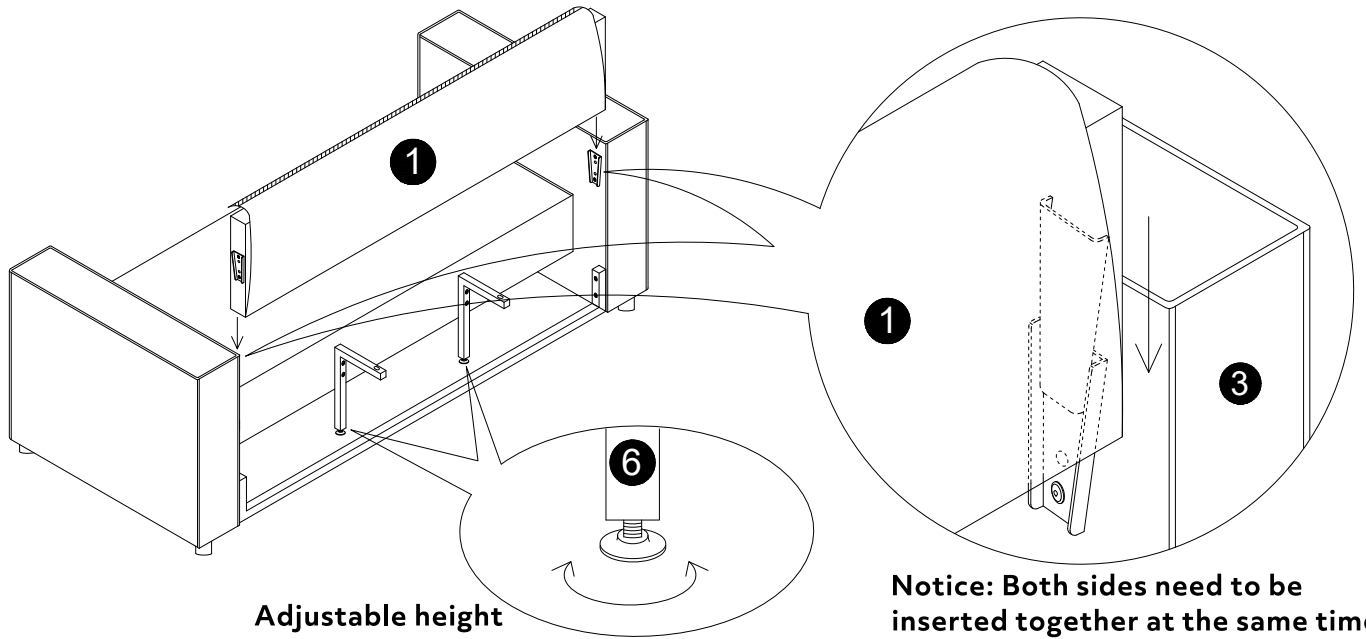
Do not fully tighten fixings!

7

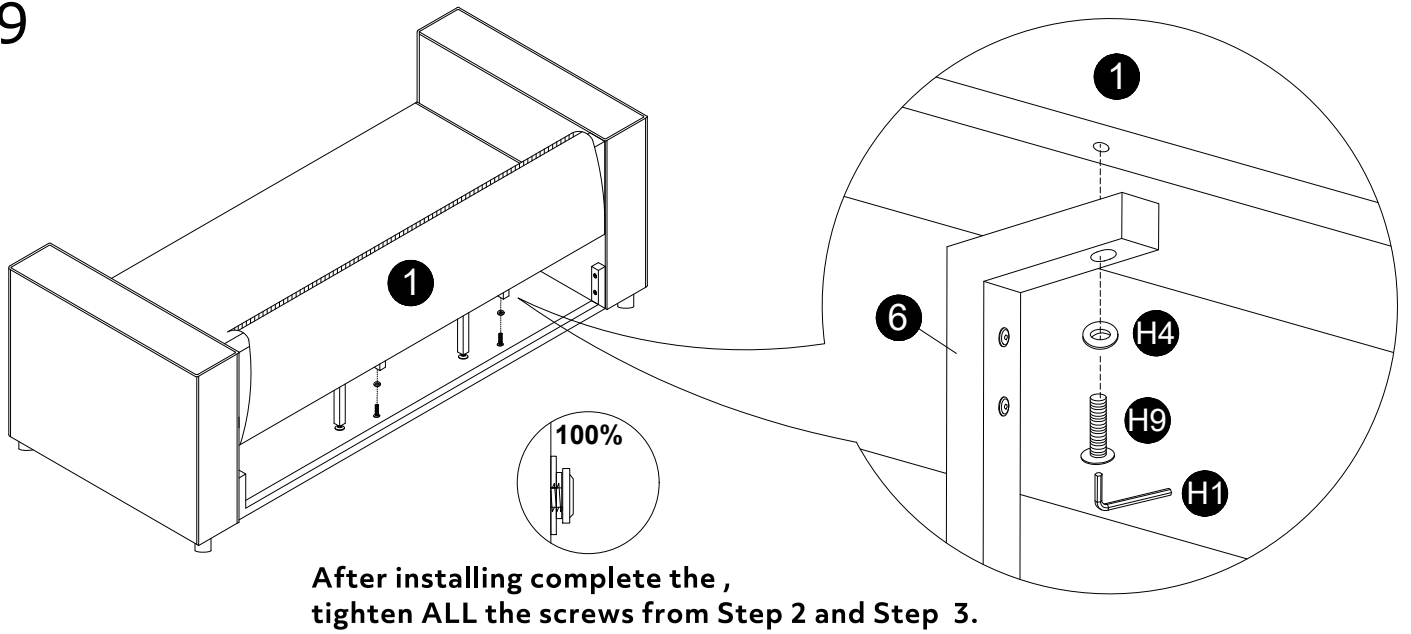


After installing complete the, tighten ALL the screws from Step 6.

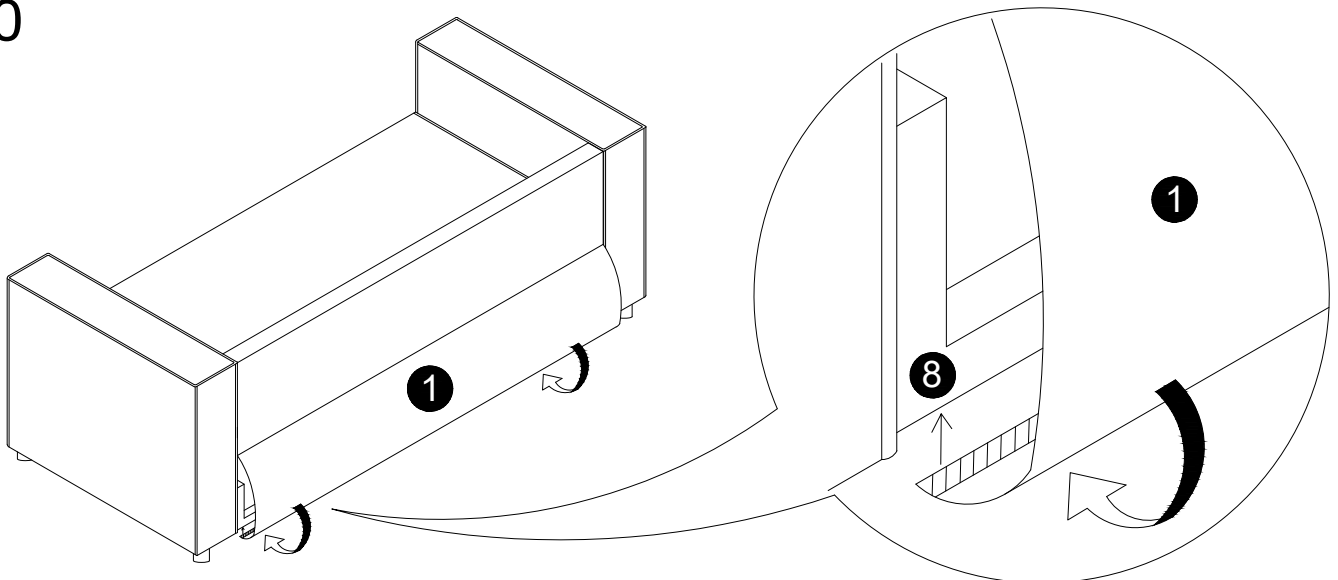
8



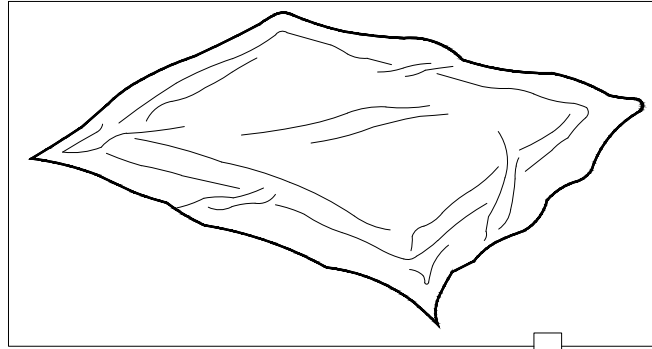
9



10

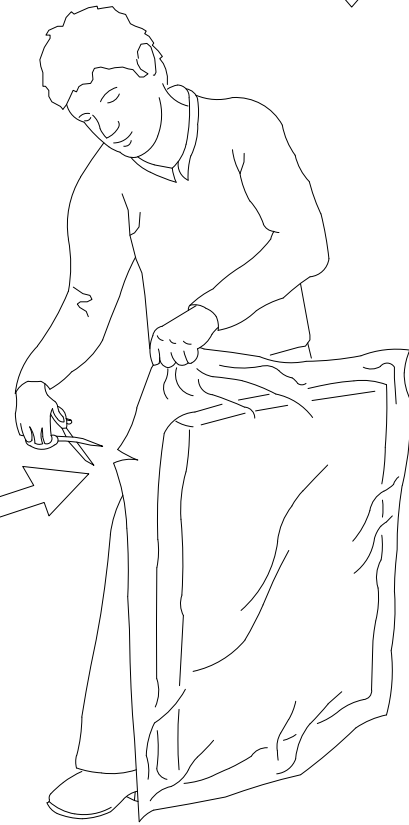
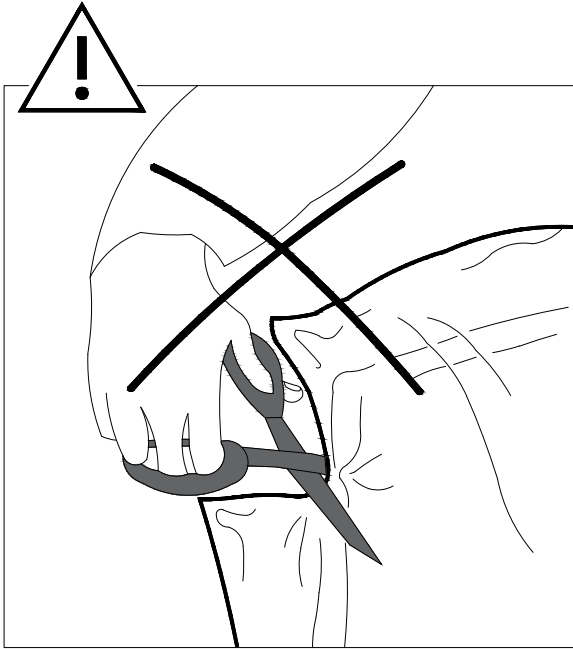


11



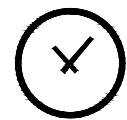
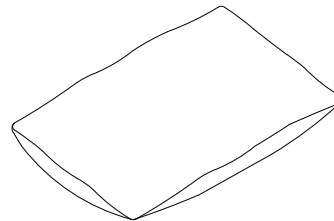
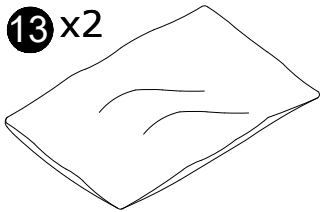
13 x2

14 x2



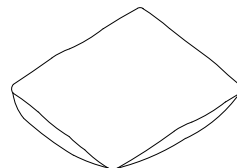
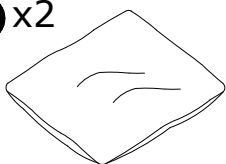
Open the vacuum-sealed pillow core bag, let the pillow core expand and become fluffy, and be careful not to damage the pillow core.

13 x2



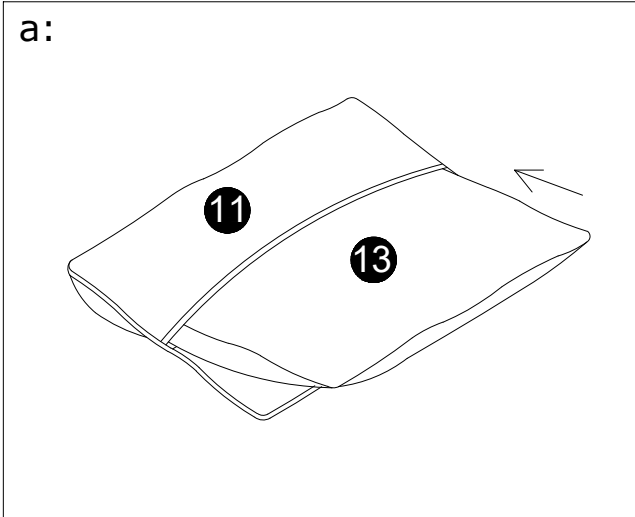
72h

14 x2



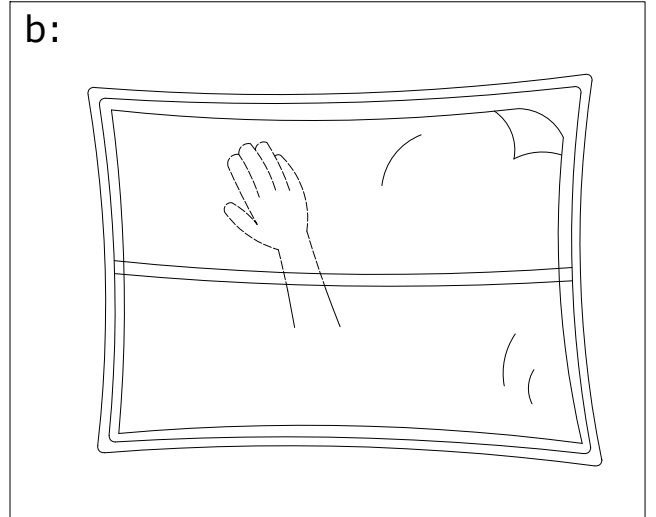
12

a:



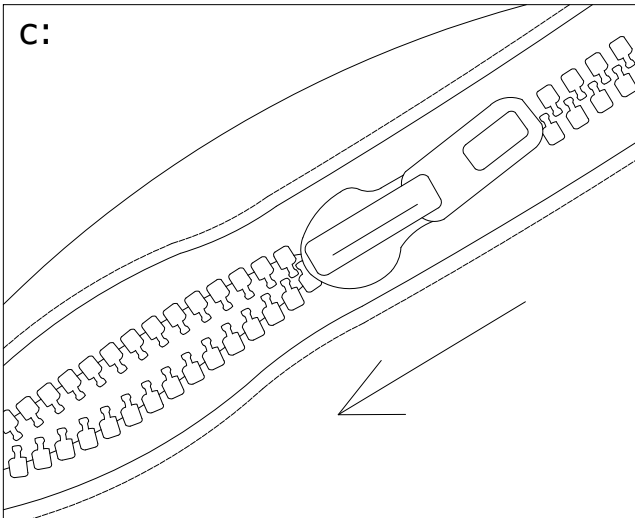
Unzip the cover, place the pillow core inside, and make sure to prioritize getting the corners into position first.

b:



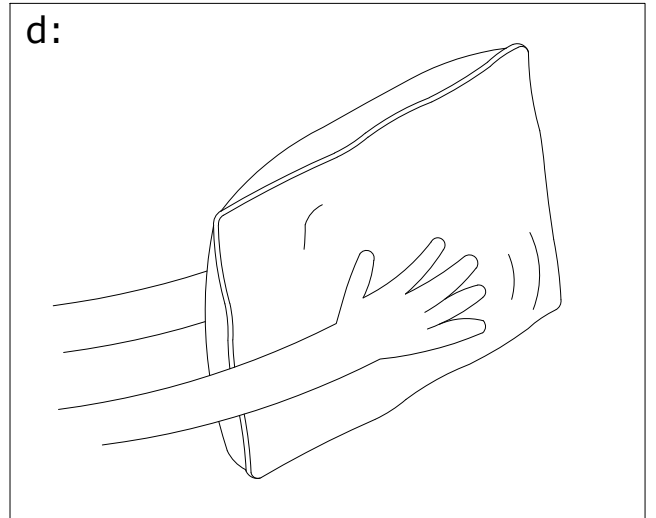
After inserting the pillow core, press the four corners into place.

c:



Close the zipper.

d:



Fluff and distribute evenly.

Repeat the above steps to place pillow core 14 into pillowcase 12.

