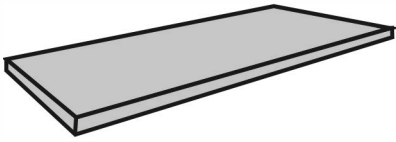


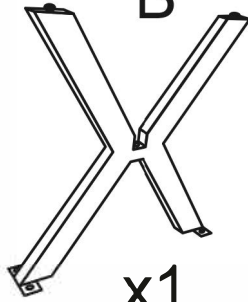
# ASSEMBLY INSTRUCTIONS

A



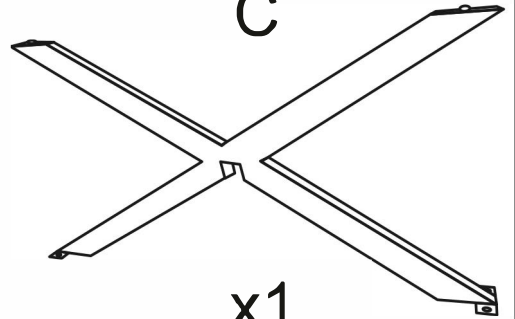
x1

B



x1

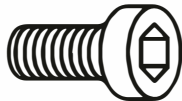
C



x1



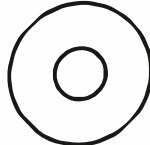
D



20MM NUT

x8

E



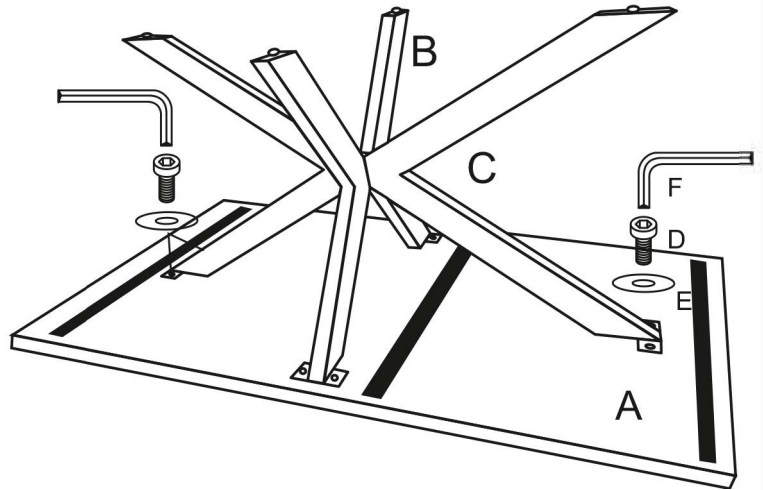
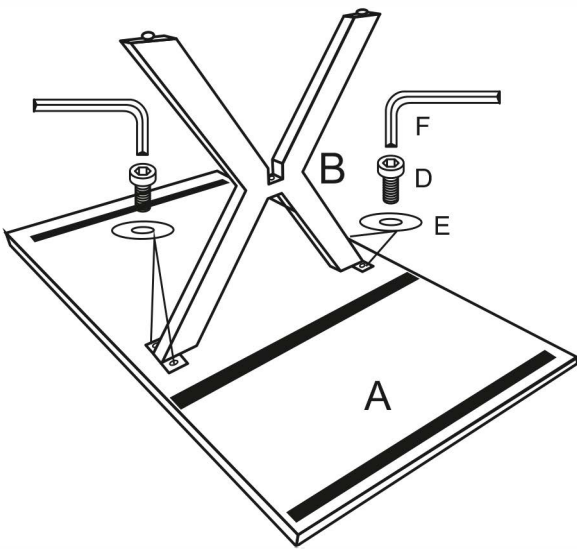
20MM WASHER

x8

F



x1



THANKS FOR PURCHASE