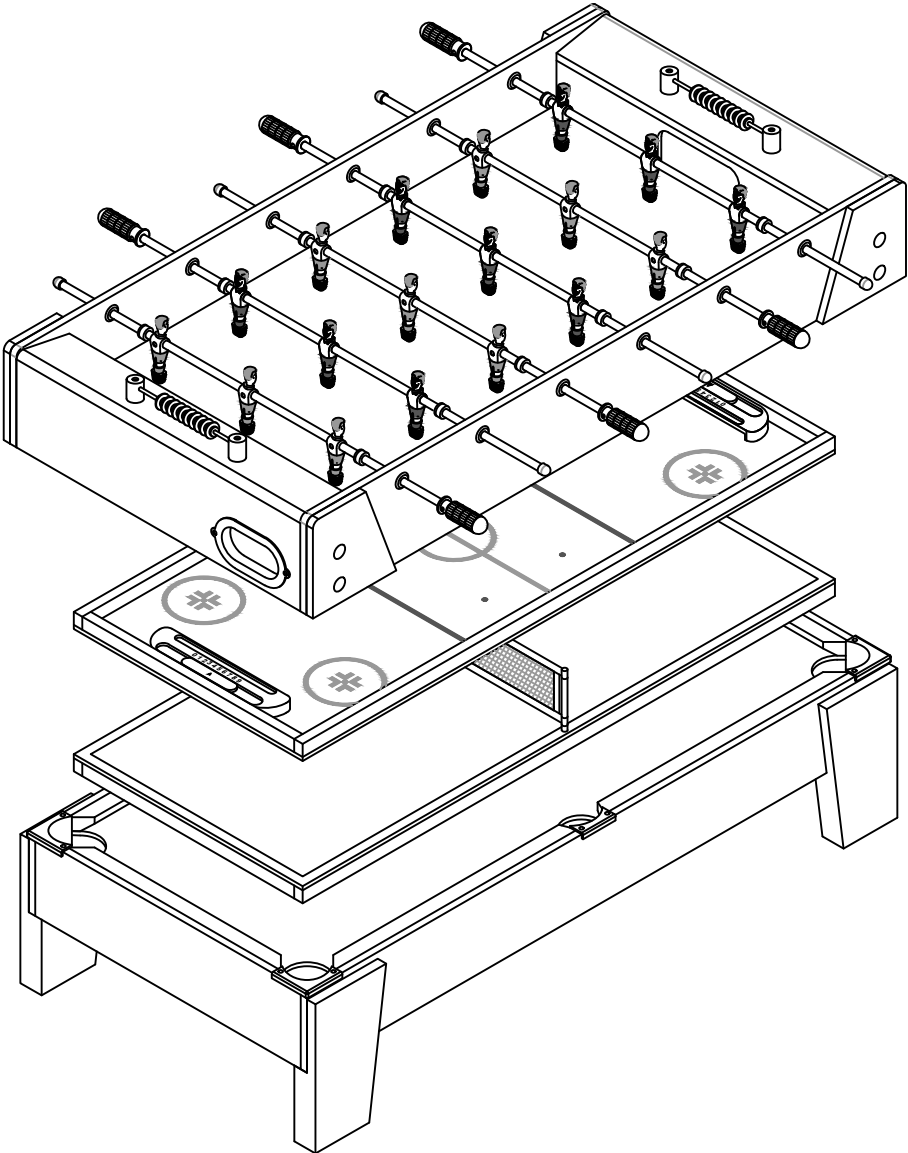
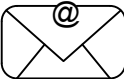


# MODEL: GT23017



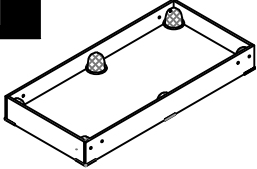


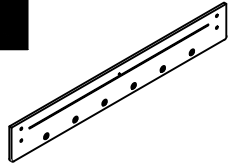
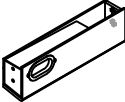
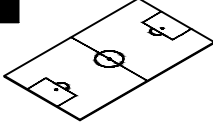

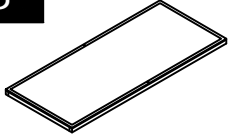
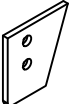

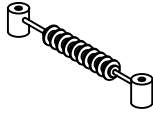
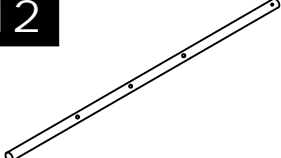


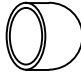
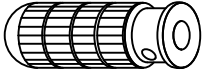
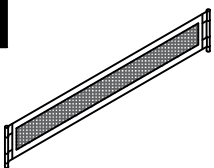

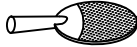

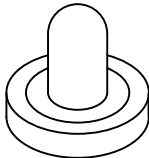
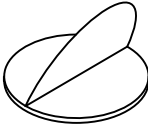
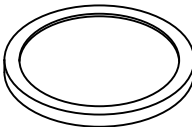

Missing parts, damages, and any other problems, please contact us via email.



[raykeepgoods@outlook.com](mailto:raykeepgoods@outlook.com)

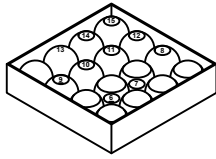


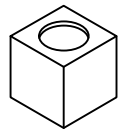
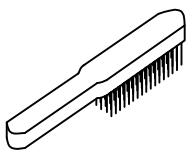
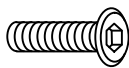

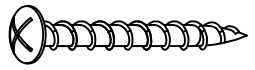
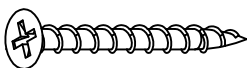

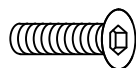
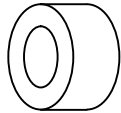
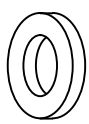

ENGLISH

GT23017 PARTS LIST


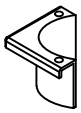



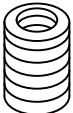

<b>1</b>  Billiard Cabinet x1	<b>2</b>  Leg Right x2	<b>3</b>  Leg Left x2	<b>4</b>  Soccer Side Panel x2
<b>5</b>  Soccer End Panel x2	<b>6</b>  Soccer Playfield x1	<b>7</b>  Support Brace x1	<b>8</b>  Table Tennis/ Hockey Board x1
<b>9</b>  Plastic decorative Board-A x2	<b>10</b>  Plastic decorative Board-B x2	<b>11</b>  Scorer x2	<b>12</b>  Player Rod x6
<b>13</b>  Player - Red x9	<b>14</b>  Player - Yellow x9	<b>15</b>  Rod End Cap x6	<b>16</b>  Handle x6
<b>17</b>  Table Tennis Net x1	<b>18</b>  Net Post x2	<b>19</b>  Table Tennis Paddle x2	<b>20</b>  Table Tennis Ball x2
<b>21</b>  Hockey striker x2	<b>22</b>  Felt Pad x2	<b>23</b>  Hockey Puck x2	<b>24</b>  Soccer ball x2

ENGLISH

GT23017 PARTS LIST

<p><b>25</b></p>  <p>1" Billiard Ball</p> <p>x1</p>	<p><b>26</b></p>  <p>Trangle</p> <p>x1</p>	<p><b>27</b></p>  <p>Cue</p> <p>x2</p>	<p><b>28</b></p>  <p>Chalk</p> <p>x1</p>
<p><b>29</b></p>  <p>Brush</p> <p>x1</p>	<p><b>A1</b></p>  <p>1/4"x3/4" Bolt</p> <p>x8</p>	<p><b>A2</b></p>  <p>1/4" Washer</p> <p>x8</p>	<p><b>A3</b></p>  <p>4x32mm Screw</p> <p>x2</p>
<p><b>A4</b></p>  <p>4x35mm Screw</p> <p>x4</p>	<p><b>A5</b></p>  <p>3x8mm Screw</p> <p>x24</p>	<p><b>A6</b></p>  <p>1/4"x1" Bolt</p> <p>x8</p>	<p><b>A7</b></p>  <p>Foam Bumper</p> <p>x12</p>
<p><b>A8</b></p>  <p>Rod Washer</p> <p>x12</p>	<p><b>A9</b></p>  <p>Wrench</p> <p>x1</p>		

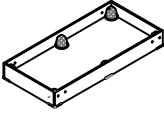
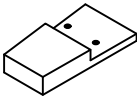
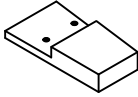
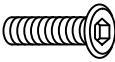





GT23017 PRE-INSTALLED PARTS

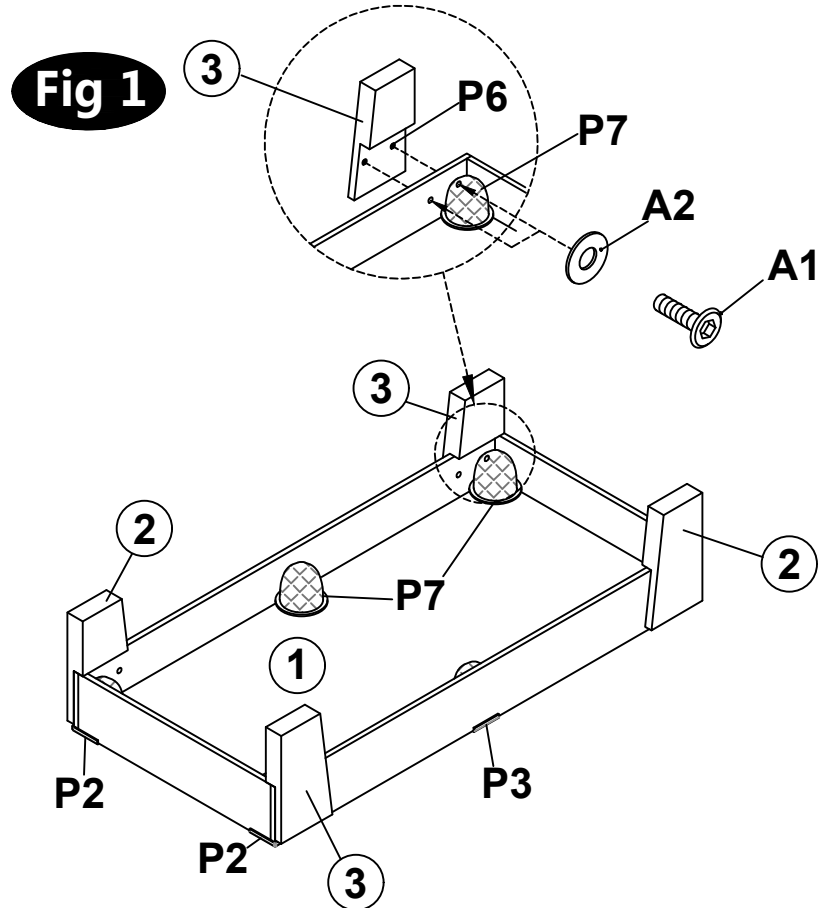
<p><b>P1</b></p>  <p>Hockey Goal</p> <p>x2</p>	<p><b>P2</b></p>  <p>Ball Basket-A</p> <p>x4</p>	<p><b>P3</b></p>  <p>Ball Basket-B</p> <p>x2</p>	<p><b>P4</b></p>  <p>Plastic Nut</p> <p>x2</p>
<p><b>P5</b></p>  <p>T-Nut</p> <p>x8</p>	<p><b>P6</b></p>  <p>Nut</p> <p>x8</p>	<p><b>P7</b></p>  <p>Catch Ball Basket</p> <p>x6</p>	

# ENGLISH

## ASSEMBLY INSTRUCTIONS:

1. Find a clean, level place to begin the assembly of your Table. The table will be assembled upside down and then turned over on its legs once the assembly completed.
2. Remove all the parts from the box and verify that you have all of the listed parts as shown on the parts list Carefully cut or tear the four corners of the box so that the bottom of the box can be used as your work surface.

①		x1
②		x2
③		x2
A1		x8
A2		x8
P2		x4
P3		x2
P6		x8
P7		x6



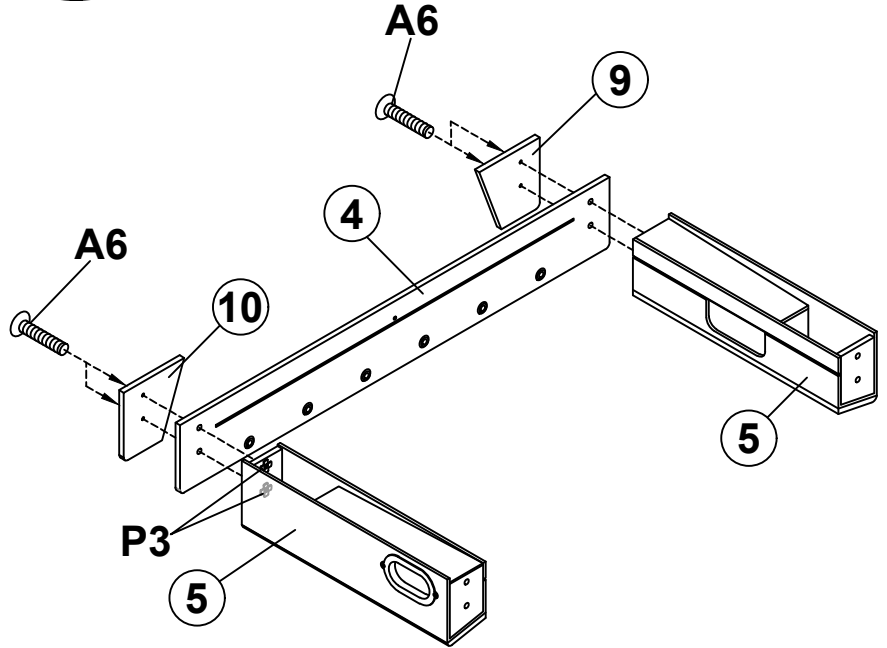
## Fig 1

3. Attach the Right Legs and Left Legs (3) to the Billiard Cabinet (1) using two Bolts (A1) and two Washers (A2) per Leg. See FIG. 1.
4. turn the table assembly over, and set the table on its leg in the location where you will play.

ENGLISH

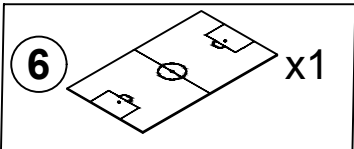
4		x1
5		x2
9		x1
10		x1
A6		x4
P3		x8

**Fig 2**

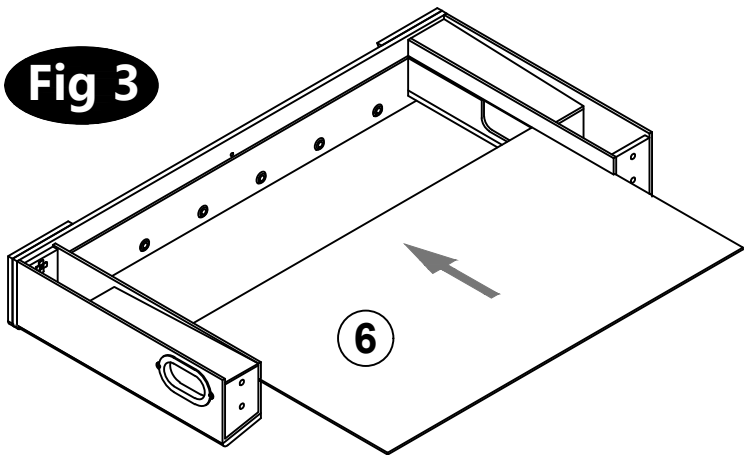


**Fig 2**

- Attach one Soccer Side Panel (4), one Right Decorative Board(9) and one Left Decorative Board (10) to the Soccer End Panels (5) using four Bolts (A6) as shown in Fig.2.  
**Note: Do not tighten the Bolts at this time.**



**Fig 3**

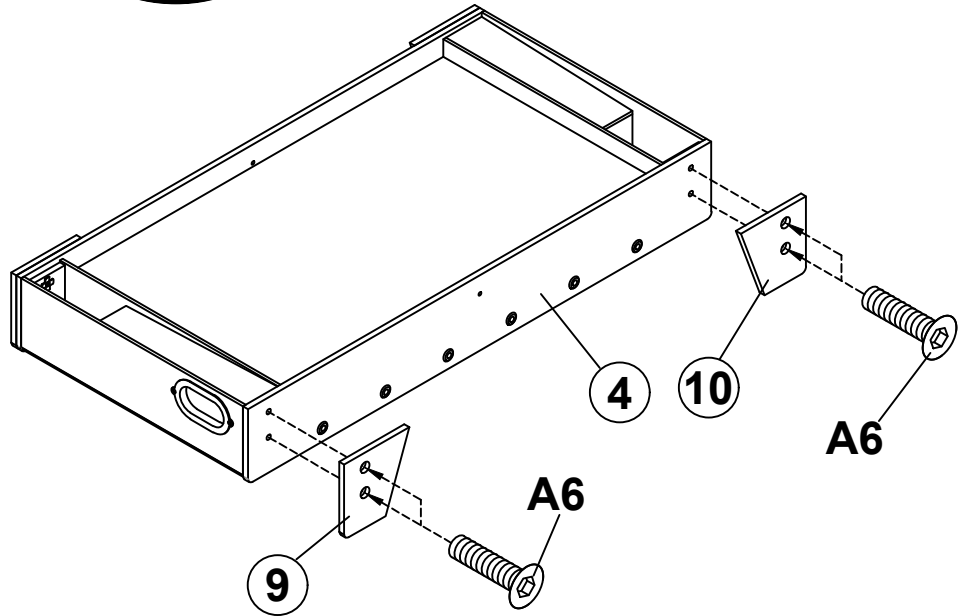
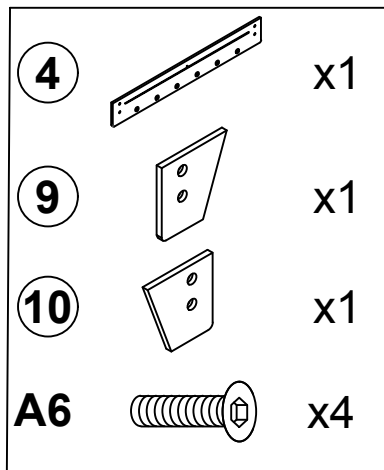


**Fig 3**

- Slide the Soccer Playfield (6) into the groove on the Soccer Side Panel ( 4 ) and the Soccer End Panel ( 5 ) with graphics facing down . See FIG. 3.

# ENGLISH

## Fig 4

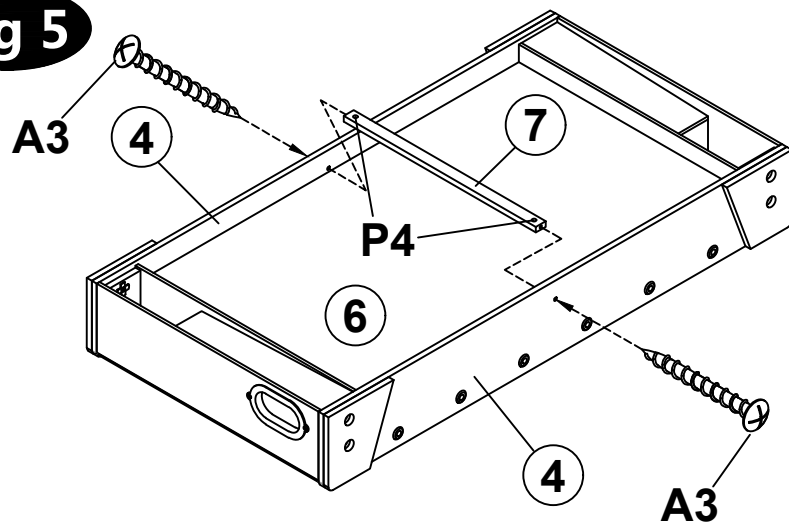
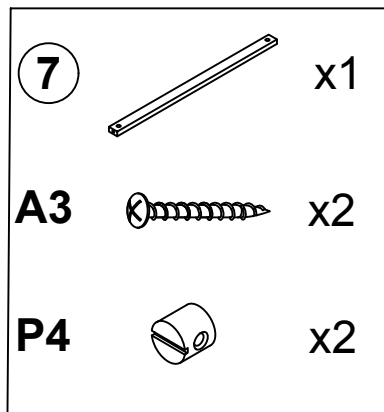


## Fig 4

7. Attach the other Soccer Side Apron (4) and the other Right and Left Decorative Board (9 & 10) to the Soccer End Aprons (5) using four Bolts (A6) .

**Note: Do not tighten the Bolts at this time.**

## Fig 5

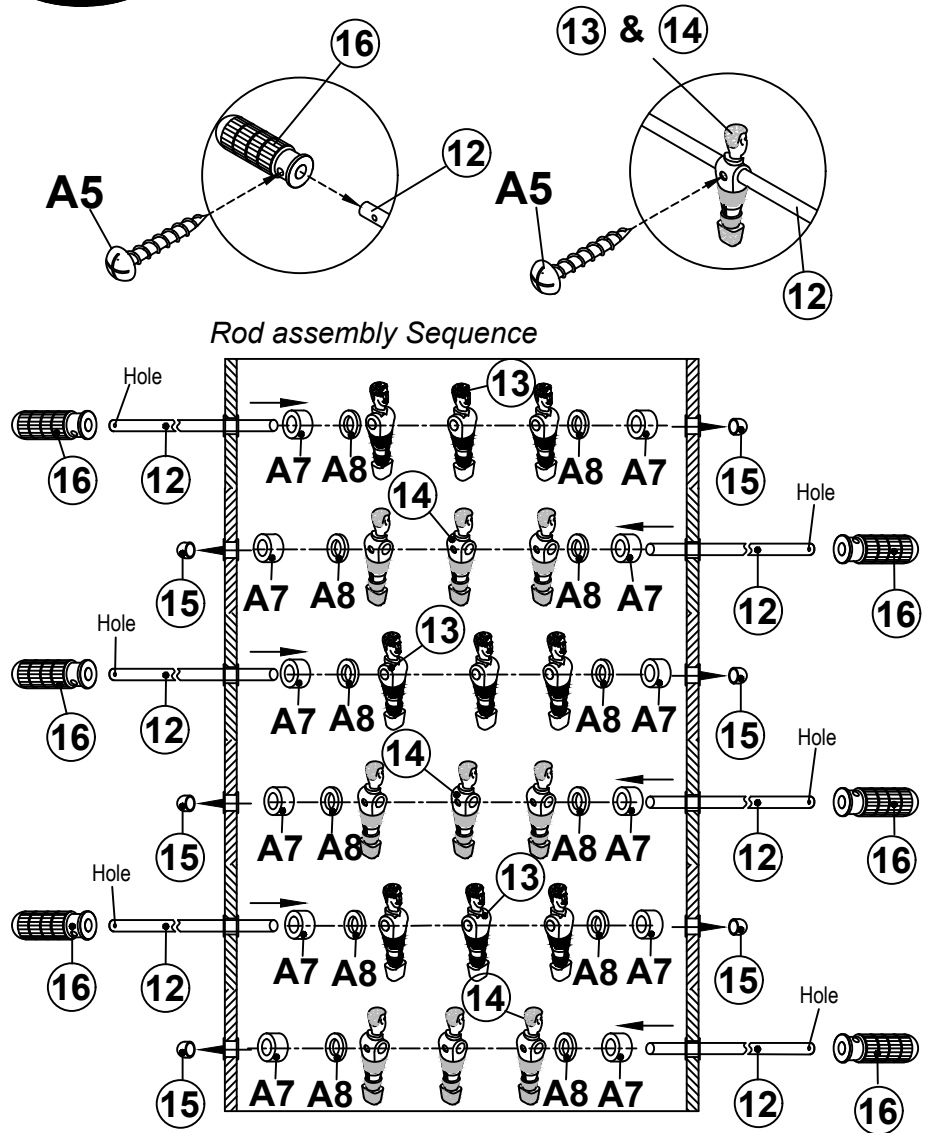
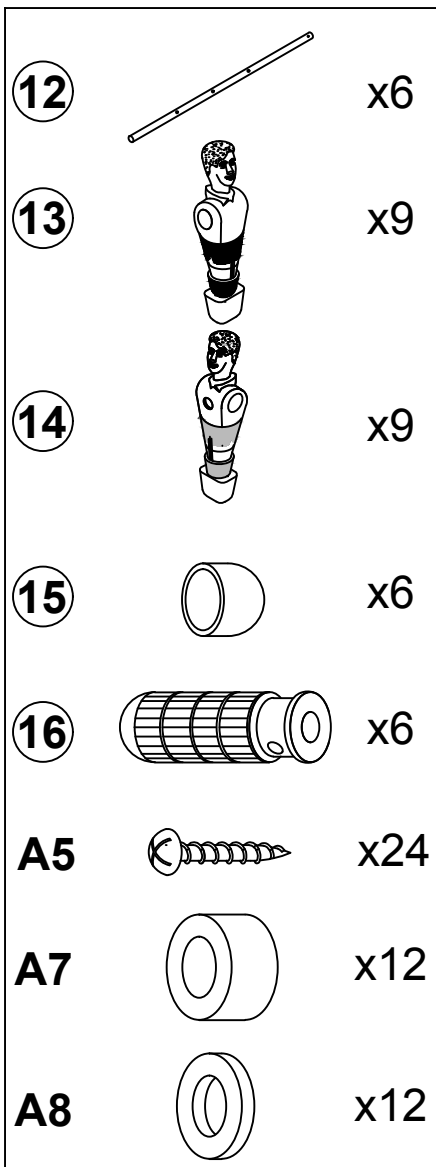


## Fig 5

8. Place the Support Brace ( 7 ) on the Soccer Playfield (6), and then attach it to the Soccer Side Aprons (4) using two Screws (A3). **Now go back and tighten the Bolts securely .**

9. Turn over the soccer cabinet (pre-assembled).

**Fig 6**

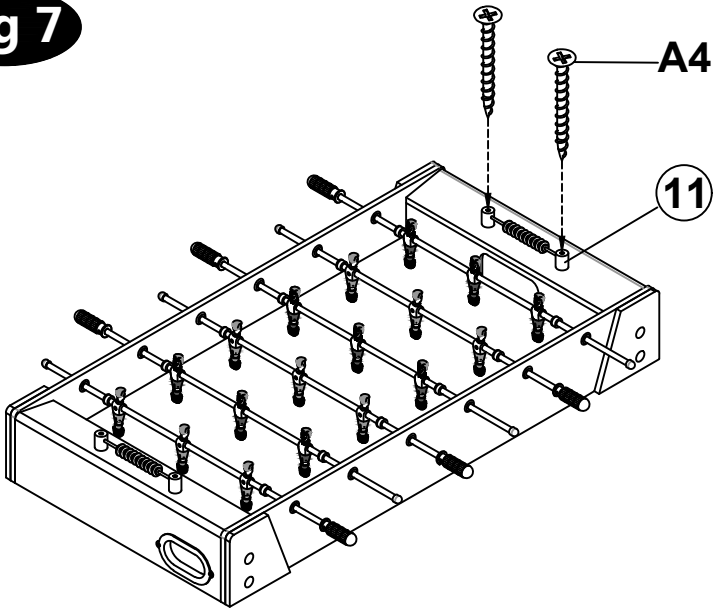
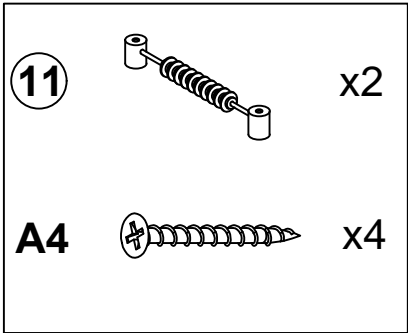


**Fig 6**

10. Push a Handle (16) onto each of the Player Rod(12) at the end of the rod where there is a hole as indicated in FIG. 6.
11. Take the Player Rod (12) which now has a handle on it. While holding the handle insert the other end through the first side panel only.
12. Thread onto the rod a Foam Bumper (A7) ,a Rod Washer(A8), 3 Player-red (13),a Rod Washer(A8),and a Foam Bumper(A7) again. Push the rod through the other side of the table and cover the end with an end cap (15).
13. Repeat this process for the remaining rods, keeping team colors consistent on the left and right side of the table. Follow FIG.6 for the correct rod and number of men for each position.
14. Attach the Handles (16) to the Player Rods(12) with screw (A5).
15. Attach the Players (13 & 14) to the Player Rods(12) with screw (A5).

ENGLISH

**Fig 7**

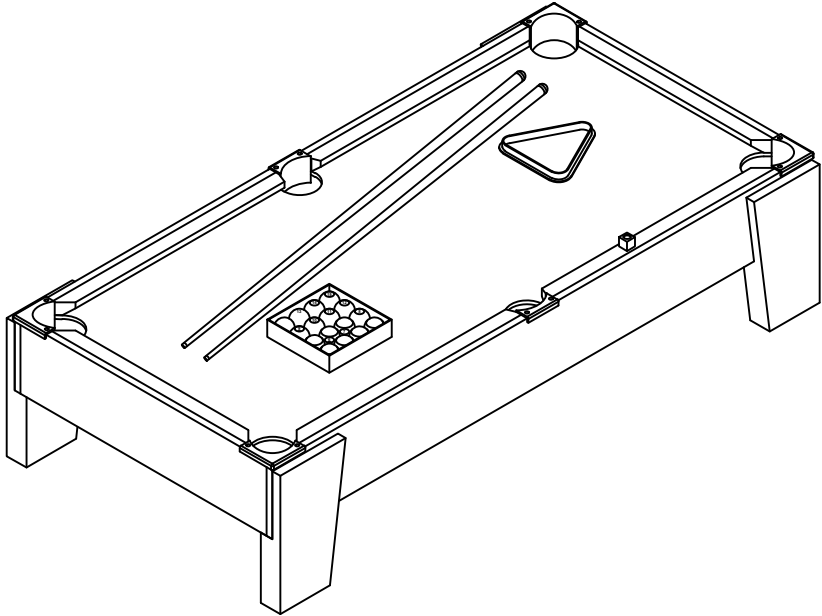


**Fig 7**

16. Attach the Scorers (11) to the top of the Soccer End Aprons (5) using two Screws (A4) per Scorer.

### Billiard Game

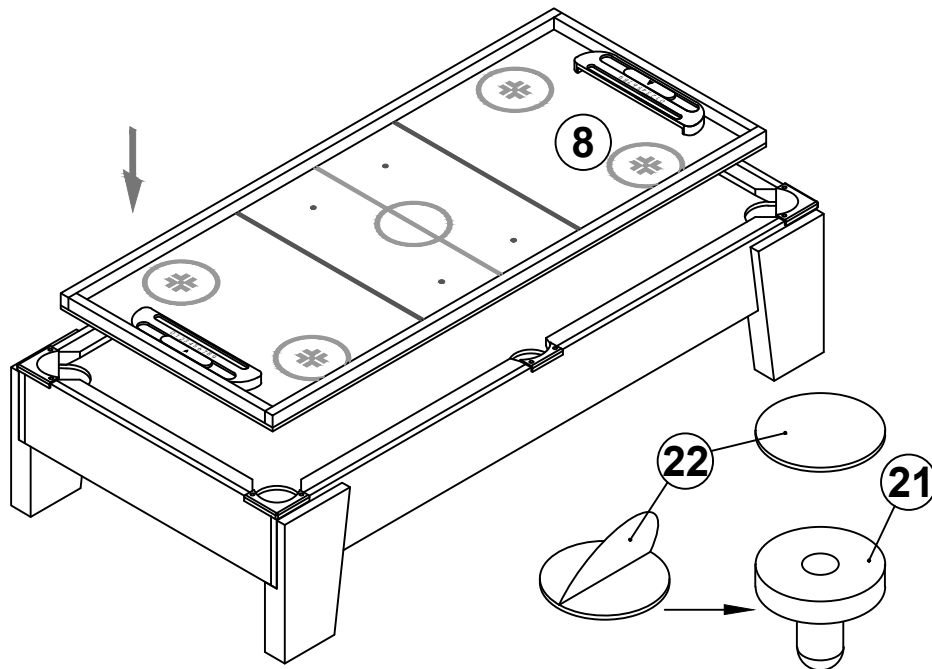
Place the Billiard Table on a clean and flat surface.



## Hockey Game

Place the Table Tennis/Hockey Board (8), with the graphics of hockey facing up, on the surface of the Billiard Table.

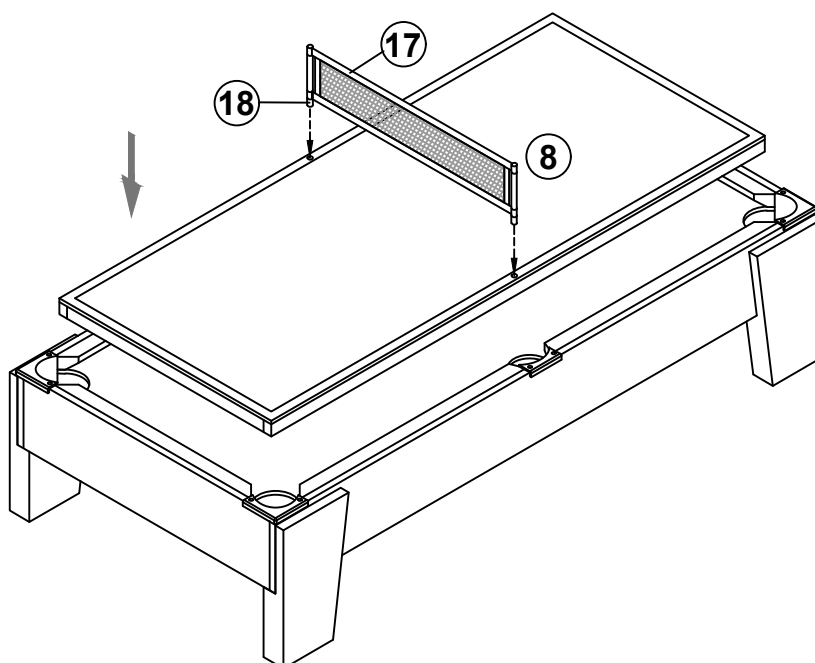
Tear off the backside paper of the Felt Pad (22) and stick them at the bottom of the Pushers (21).



## Table Tennis Game

Place the Table Tennis/Hockey Board (8), with the graphics of table tennis facing up, on the surface of the Billiard Table.

Insert the Net Posts (17) and Net (18).



# Soccer Game

Place the Soccer Table on the Billiard Cabinet.

