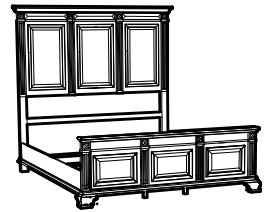


ASSEMBLY INSTRUCTIONS

HEADBOARD, 6/6 PANEL
BEDRAILS, 5/0 - 6/6 PANEL
BED FOOTBOARD,
6/6 PANEL BED W/4 SLATS



Caution

Caution : Please read all instructions before assembly and check the carton for any parts that may have come loose during shipment . It is recommended to use two or more persons during the assemble process.

Hardware List

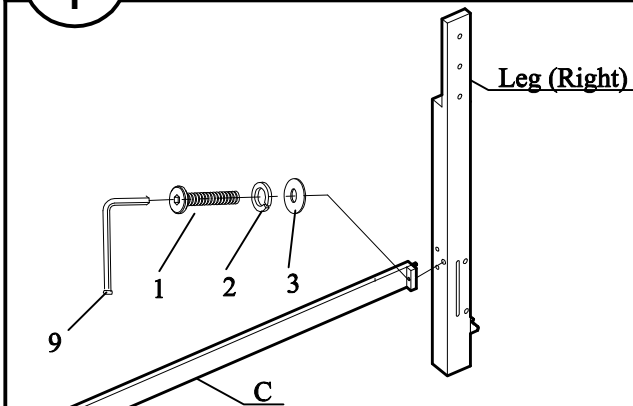
No.	Description	Sketch	Size	Quantity
1	Allen Bolt		$\varnothing \frac{5}{16}$ x 45mmL	8 PCS
2	Spring Washer		$\varnothing \frac{5}{16}$	12 PCS
3	Flat Washer		$\varnothing \frac{5}{16}$ 19	12 PCS
4	Thread bolt		$\varnothing \frac{5}{16}$ x 82mmL	8 PCS
5	Curve Washer		$\varnothing \frac{5}{16}$	8 PCS
6	Hex Nut		$\varnothing \frac{5}{16}$ x 18mmL	8 PCS
7	Screw		4 x 32mm	16PCS
8	Open Wrench		$\varnothing \frac{5}{16}$ 8mm	1 PCS
9	Allen Key		4mm	1 PCS
10	Allen Bolt		$\varnothing \frac{5}{16}$ x 38mmL	4 PCS

PARTS LIST:

No.	Description	Sketch	Quantity
A	Headboard		1 PCS
B	H/B Leg(R,L)		2 PCS
C	Cross Bar		1 PCS
D	Footboard		1 PCS
E	Side Rails		2 PCS
F	Slat		4 PCS
G	Slats Support		8 PCS
H	Bun foot (R)		1 PCS
J	Bun Foot (L)		1 PCS

Step 1

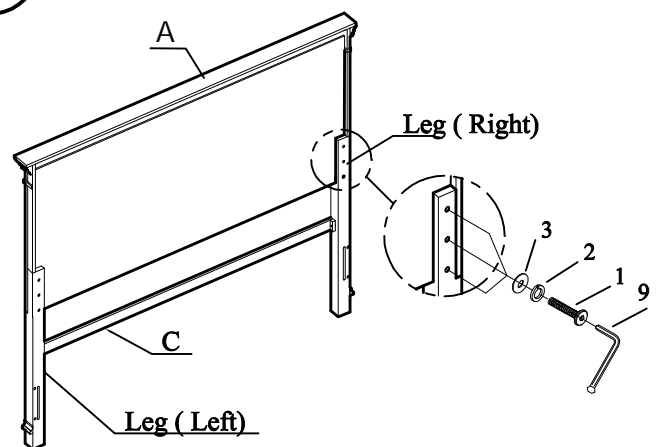
ATTACH H/B LEGS TO CROSS BAR



Attach H/B Legs(R,L) (b) to Cross Bar (c) by using Allen Bolt (1), Spring Washer (2), Flat Washer (3) and Allen Key (9).

Step 2

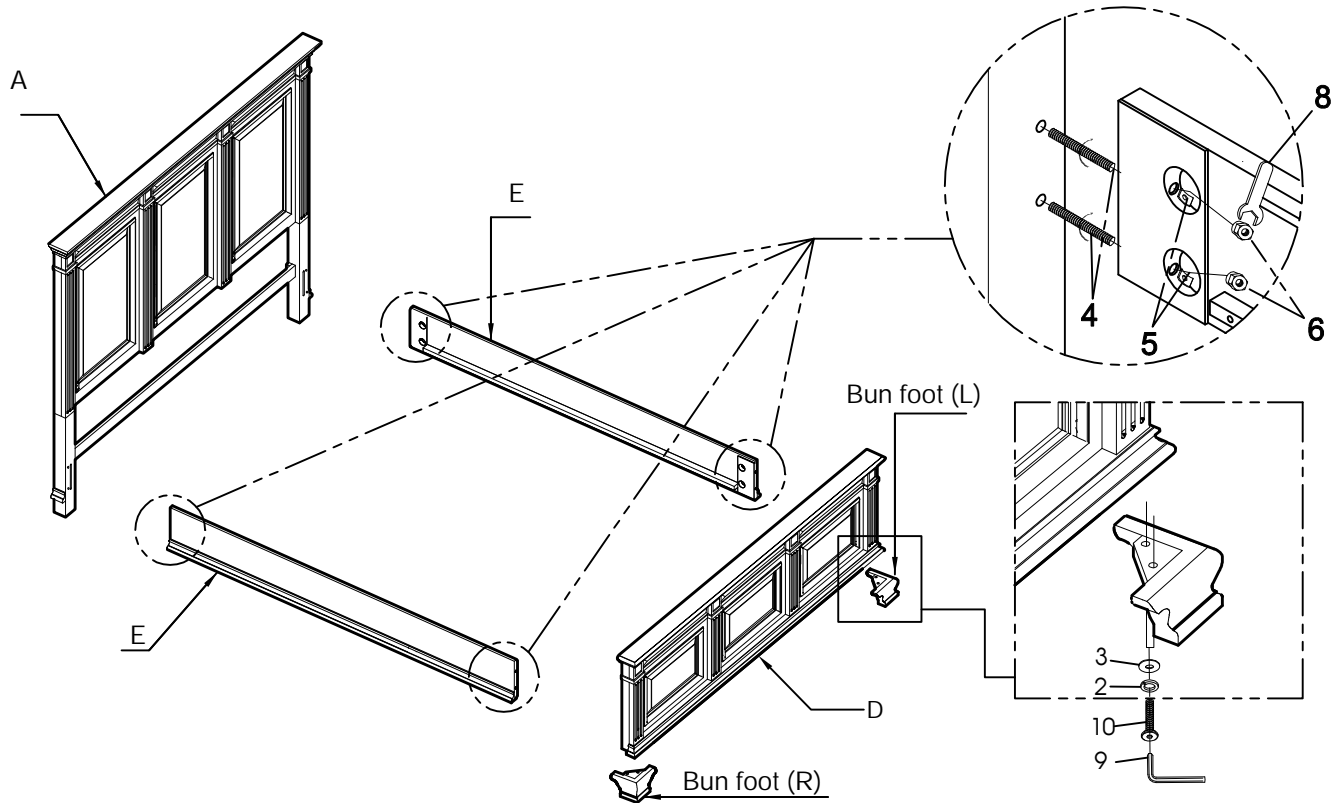
ATTACH H/B LEGS TO HEADBOARD



Attach H/B Legs(R,L) (b) to headboard (a) by using Allen Bolt (1), spring washer (2), flat washer (3) and allen key (9).

Step 3

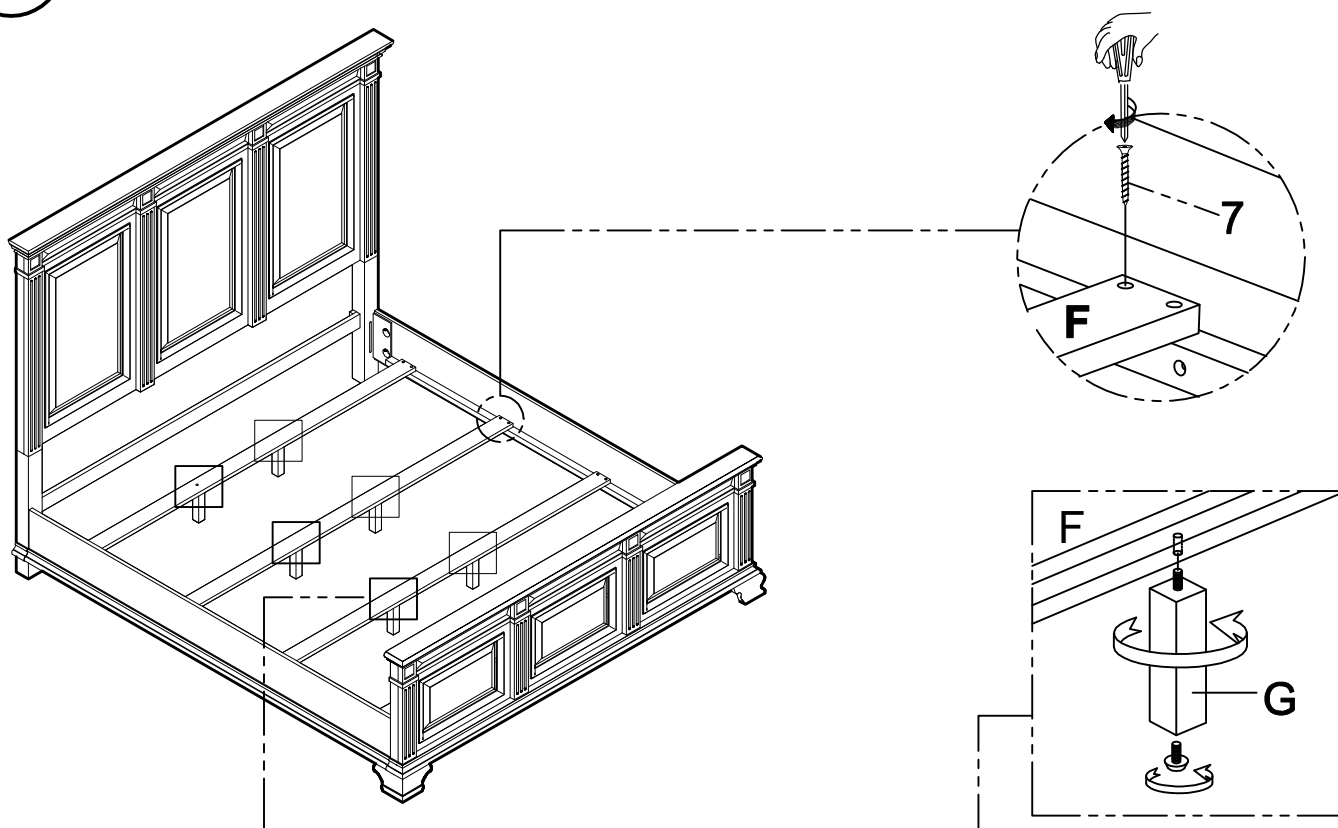
ATTACH BUNFOOT TO FOOTBOARD , ATTACH BED SIDE RAIL TO HEADBOARD AND HEADBOARD



Attach Bun Foot(H,J) to Footboard (d),by using Alen Bolt (10) Spring Washer(2),Flat Washer(3),and Allen Key(9) .Attach Bed Side Rail (e) to Headboard(a) and Footboard (b),by using Thread Bolt (4),Curve Washer (5), Hex Nut (6) and Open Wrench(8)

Step 4

ATTACH SLATS SUPPORT TO SLAT , SLAT TO SIDE RAIL



Attach Slat Support (g) to Slat (f). Attach Slat (f) to bed Side Rail (e), by using Screw (7).