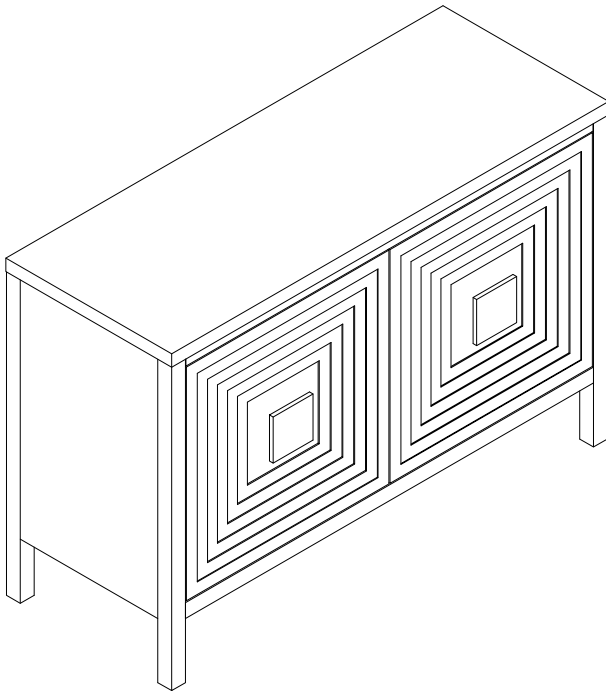


ASSEMBLY INSTRUCTIONS

ACCENT CABINET

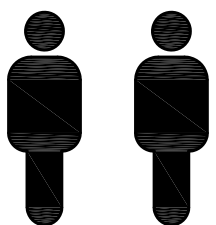
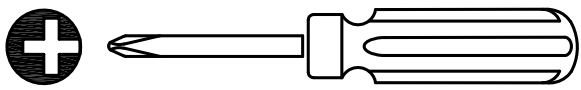



Please read below before assembly:


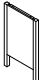
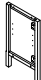

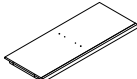
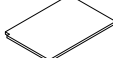
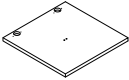


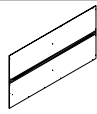
- Assemble the product on a flat, soft surface such as a carpet or cloth to prevent scratching the finish.
- Do not discard any content until assembly is complete to avoid accidentally discarding small parts or hardware.
- Take out all parts and hardware from box.
- Failure to follow these instructions may cause the bolts to misalign during assembly.

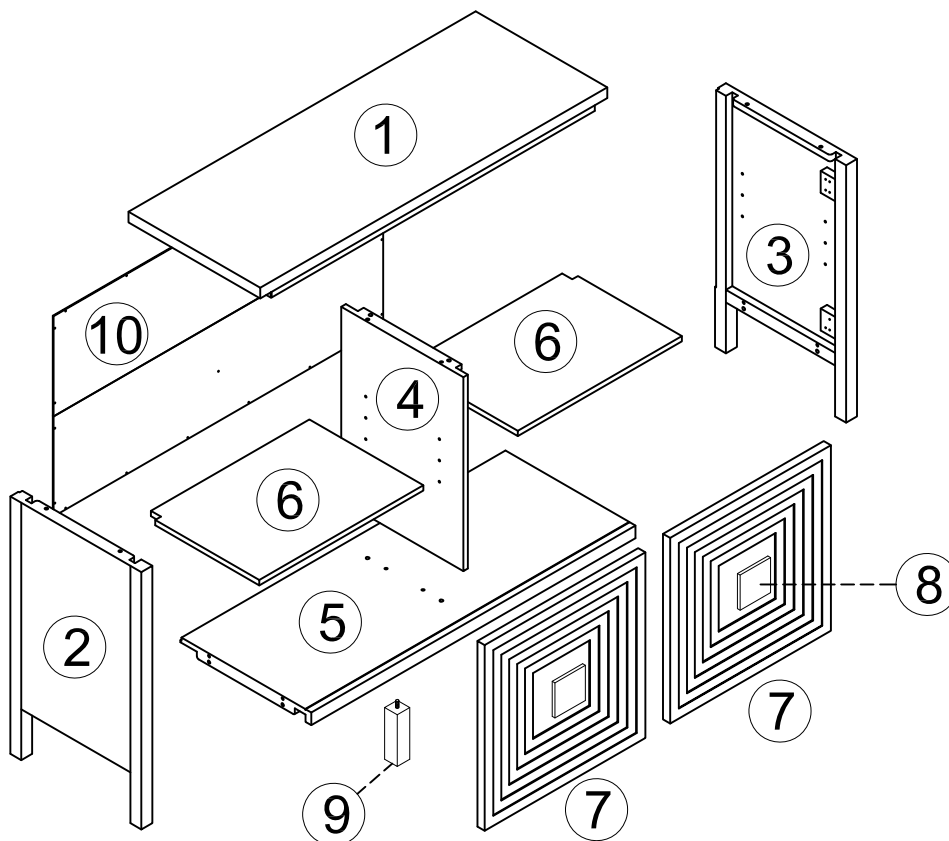
DISCLAIMERS:

- WHEN PROPERLY ASSEMBLED, THIS ITEM IS SAFE FOR INTENDED USE. SELLER IS NOT LIABLE FOR ANY DAMAGES RESULTING FROM ITEM BEING IMPROPERLY ASSEMBLED AFTER PURCHASE.
- BOLTS MAY LOOSEN DURING NORMAL EVERYDAY USE. THEY SHOULD BE INSPECTED AT LEAST EVERY 3 MONTHS AND RE-TIGHTEN AS NEEDED TO PREVENT DAMAGE OR INJURY, AND ENSURE STABILITY.

 <p>PEOPLE NEEDED</p>	<p>TOOLS REQUIRED (NOT INCLUDED)</p>  <p>PHILLIPS HEAD SCREW DRIVER</p>	 <p>ESTIMATED TIME</p>
--	---	---

PARTS LIST

①	TOP PANEL		1 PC
②	LEFT PANEL		1 PC
③	RIGHT PANEL		1 PC
④	CENTER PANEL		1 PC
⑤	BOTTOM PANEL		1 PC
⑥	SHELF		2 PCS
⑦	DOOR		2 PCS
⑧	HANDLE		2 PCS
⑨	CENTER LEG		1 PC
⑩	BACK PANEL		1 PC

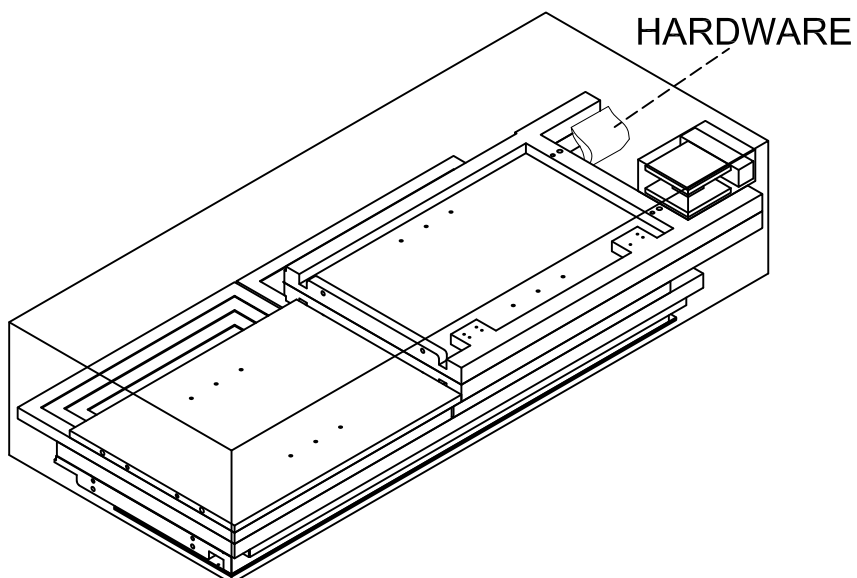


HARDWARE LIST

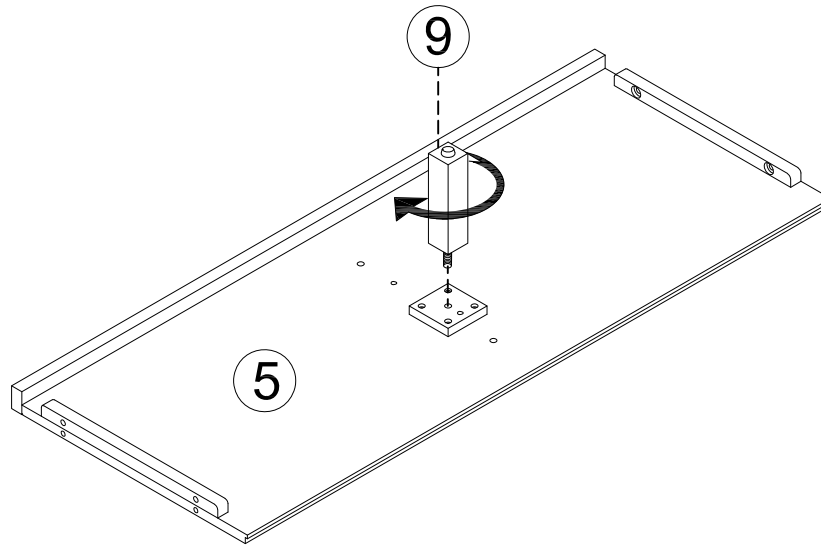
A	LARGE BOLT - Ø 1/4" x 1 1/4"		12 PCS
B	LOCK WASHER - Ø1/4"		12 PCS
C	FLAT WASHER - Ø1/4"		12 PCS
D	ALLEN KEY - 1/4"		1 PC
E	WOOD DOWEL		12 PCS
F	SMALL BOLT		4 PCS
G	SHELF PIN		8 PCS
H	ROUND HEAD SCREW		18 PCS
I	HINGE		4 PCS
J	FLAT HEAD SCREW		24 PCS
K	ANTI TIP KIT		1 SET

STEP 1

LOCATE PARTS AND HARDWARE PER BELOW DRAWING.

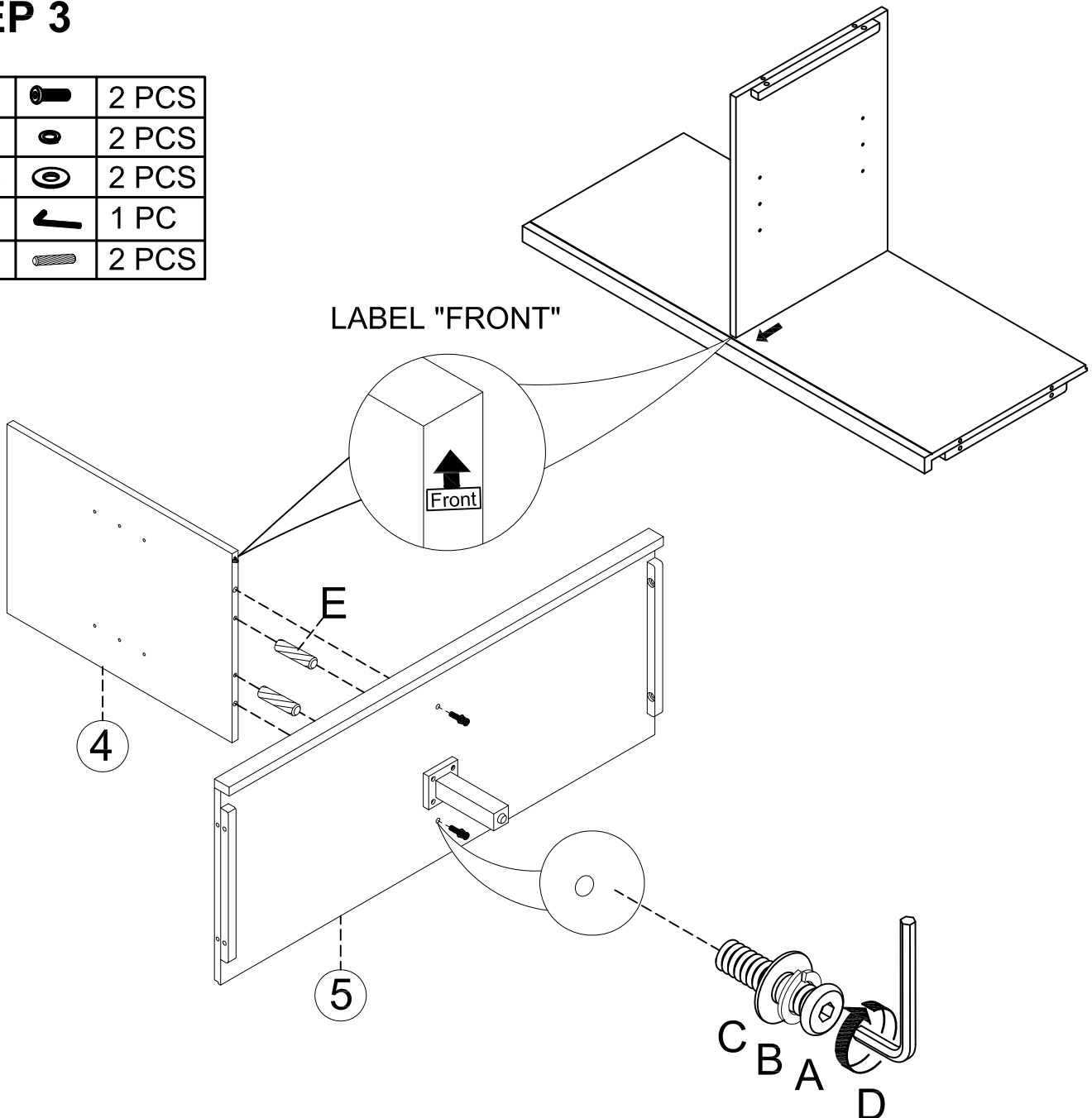


STEP 2








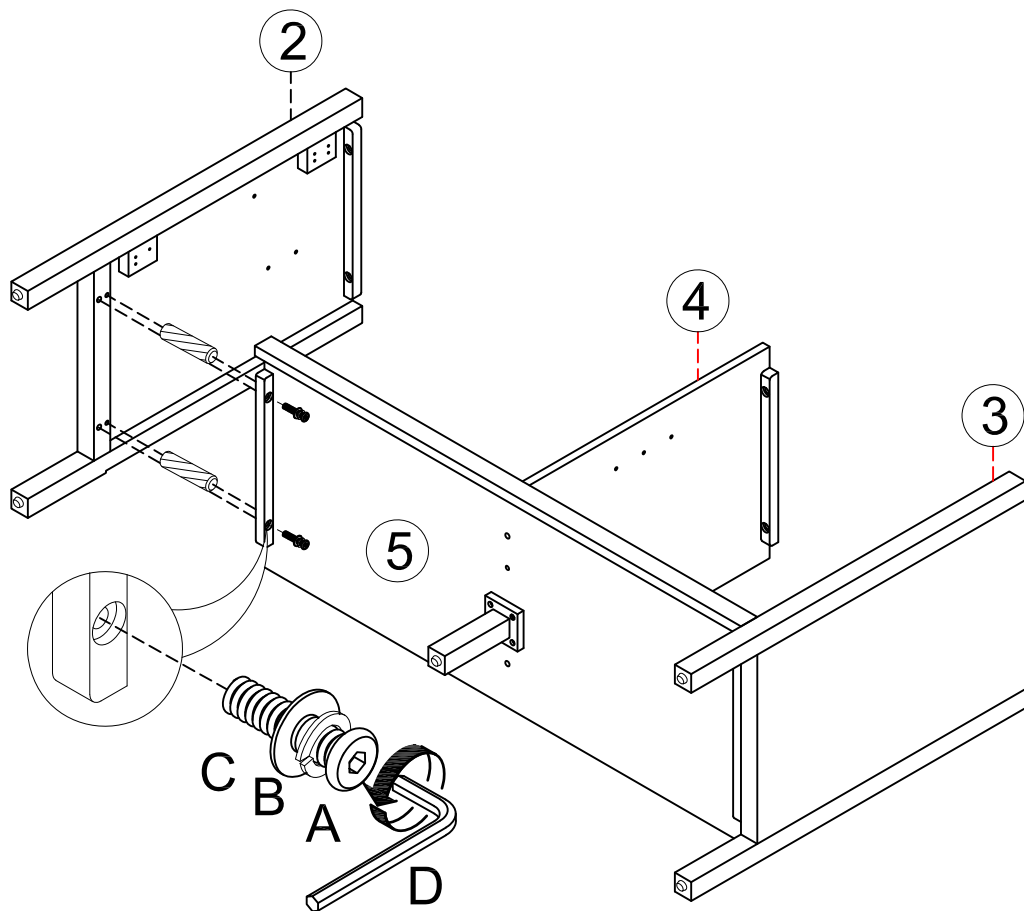
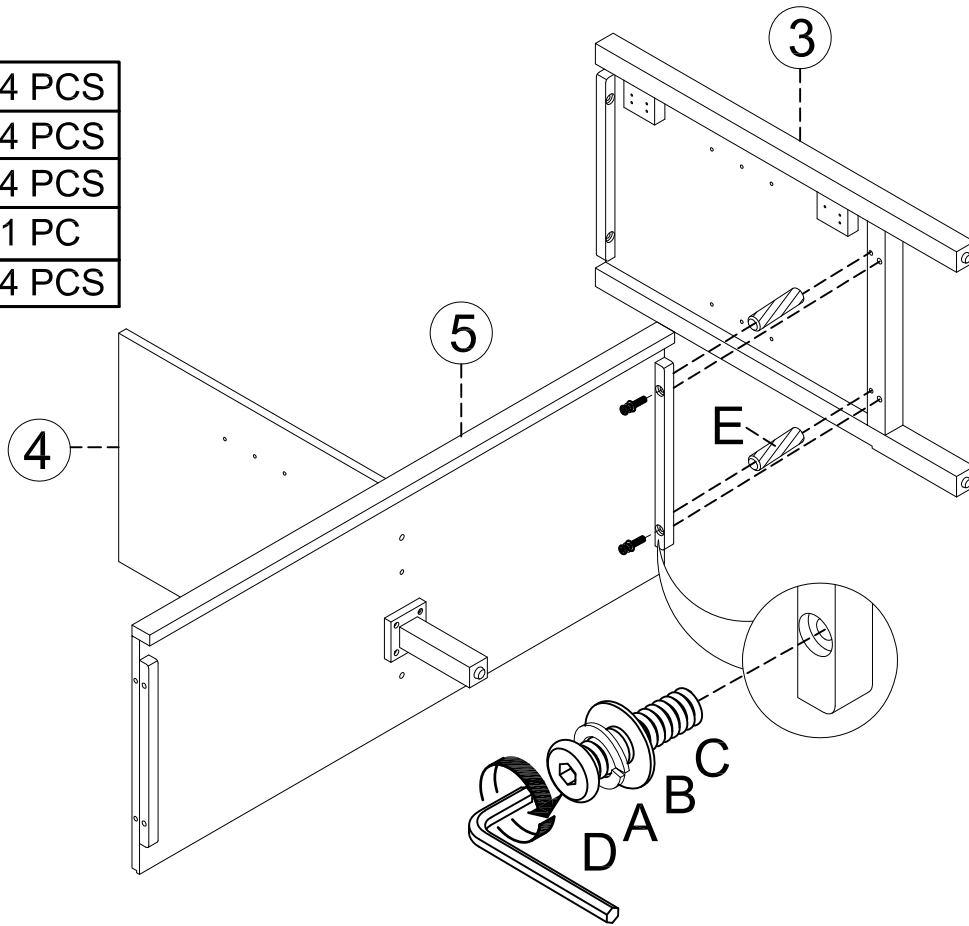
STEP 3

A		2 PCS
B		2 PCS
C		2 PCS
D		1 PC
E		2 PCS








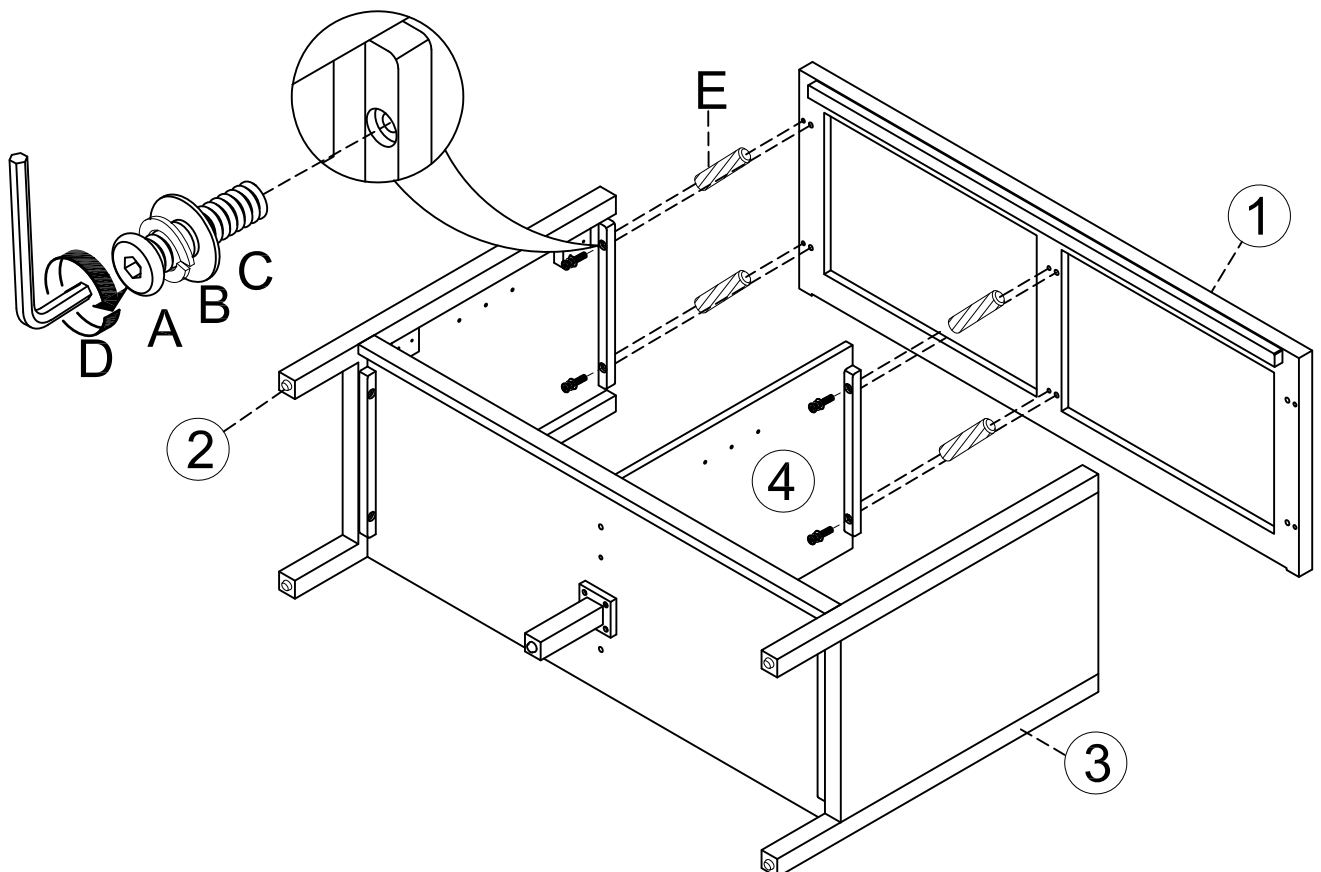
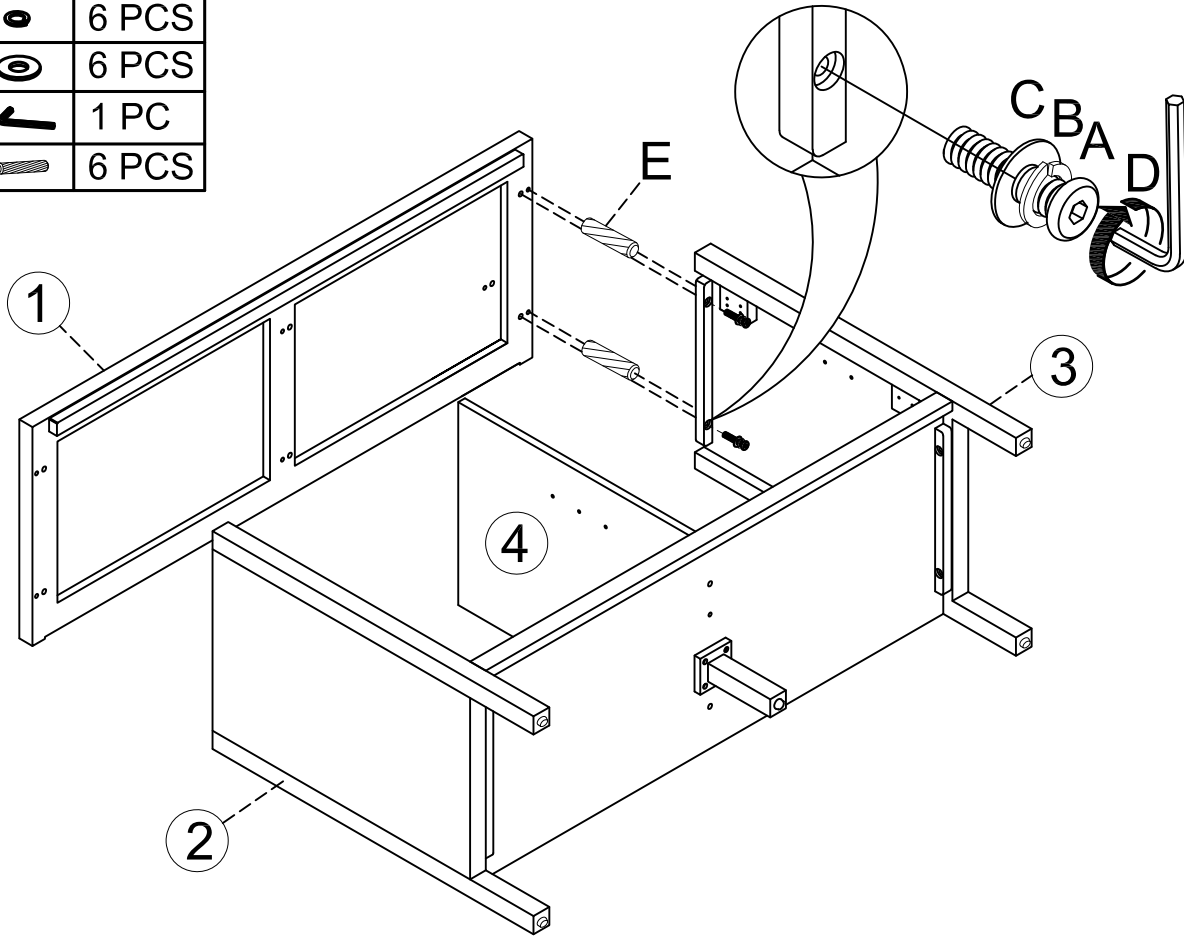
STEP 4

A		4 PCS
B		4 PCS
C		4 PCS
D		1 PC
E		4 PCS




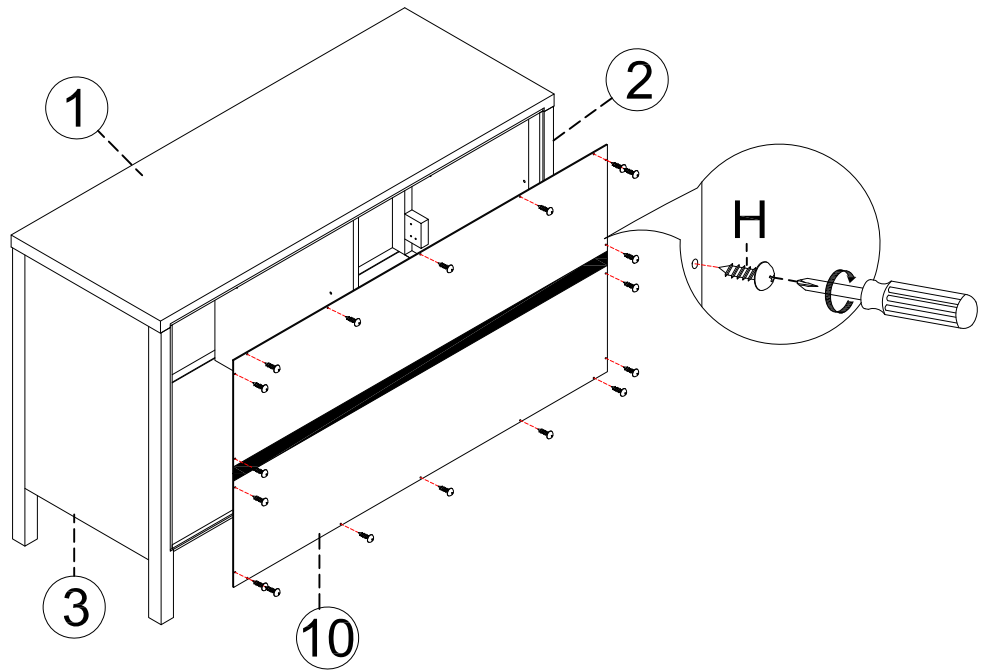
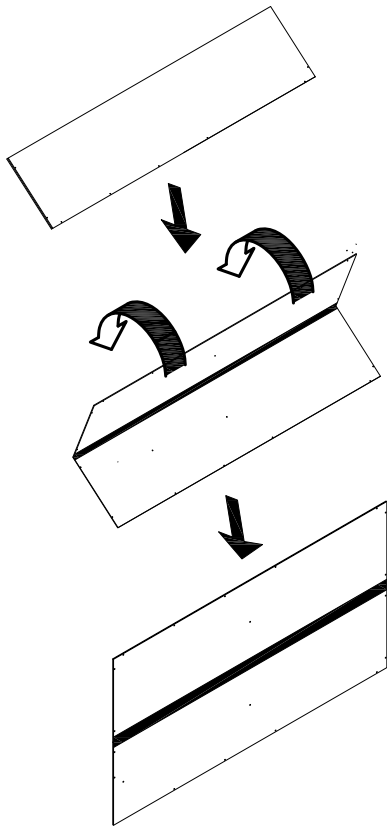
STEP 5

A		6 PCS
B		6 PCS
C		6 PCS
D		1 PC
E		6 PCS

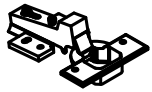



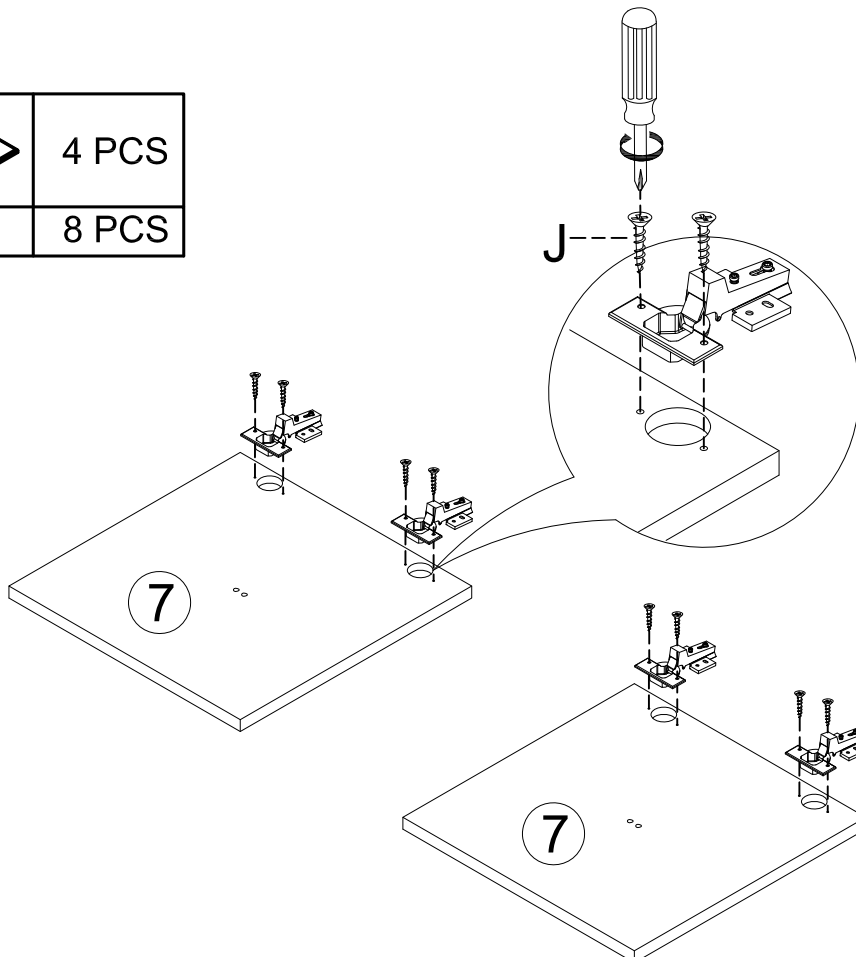
STEP 6

H		18 PCS
---	---	--------




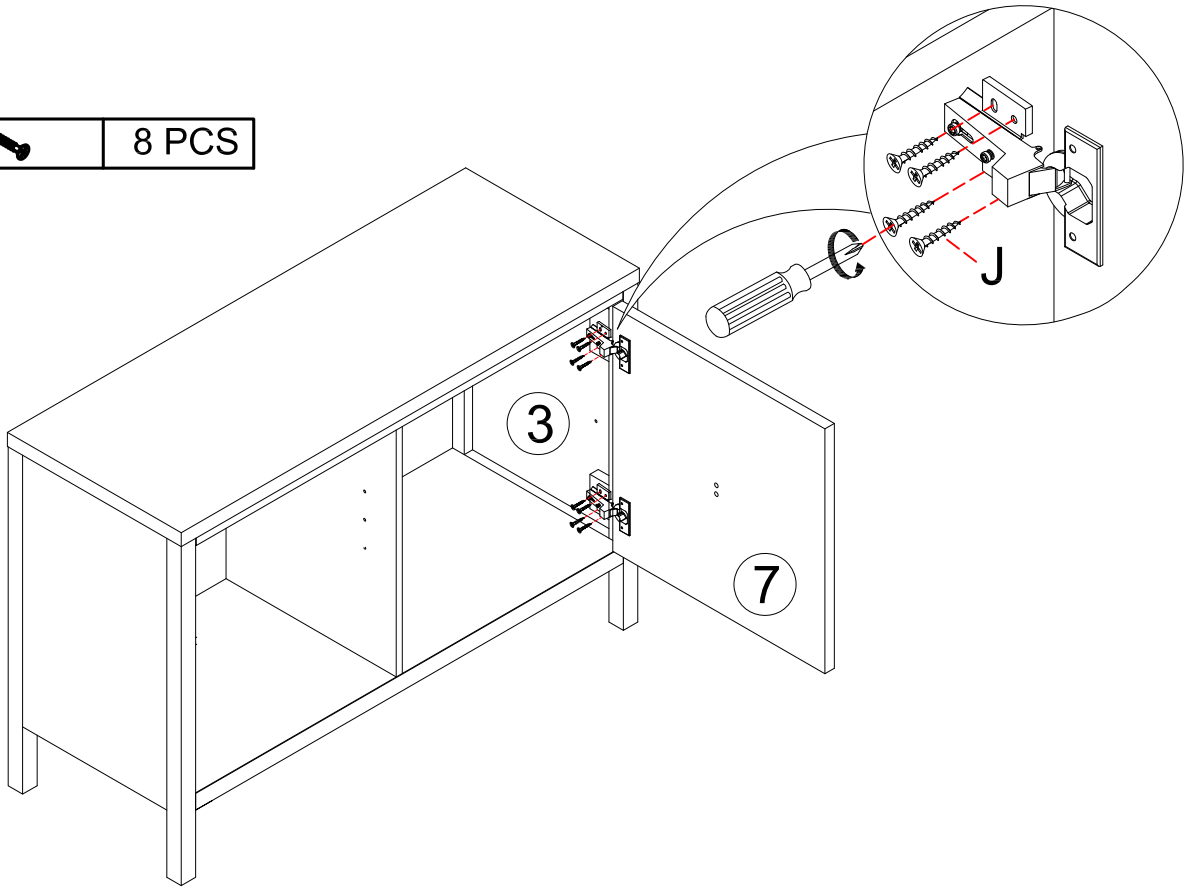
STEP 7

I		4 PCS
J		8 PCS




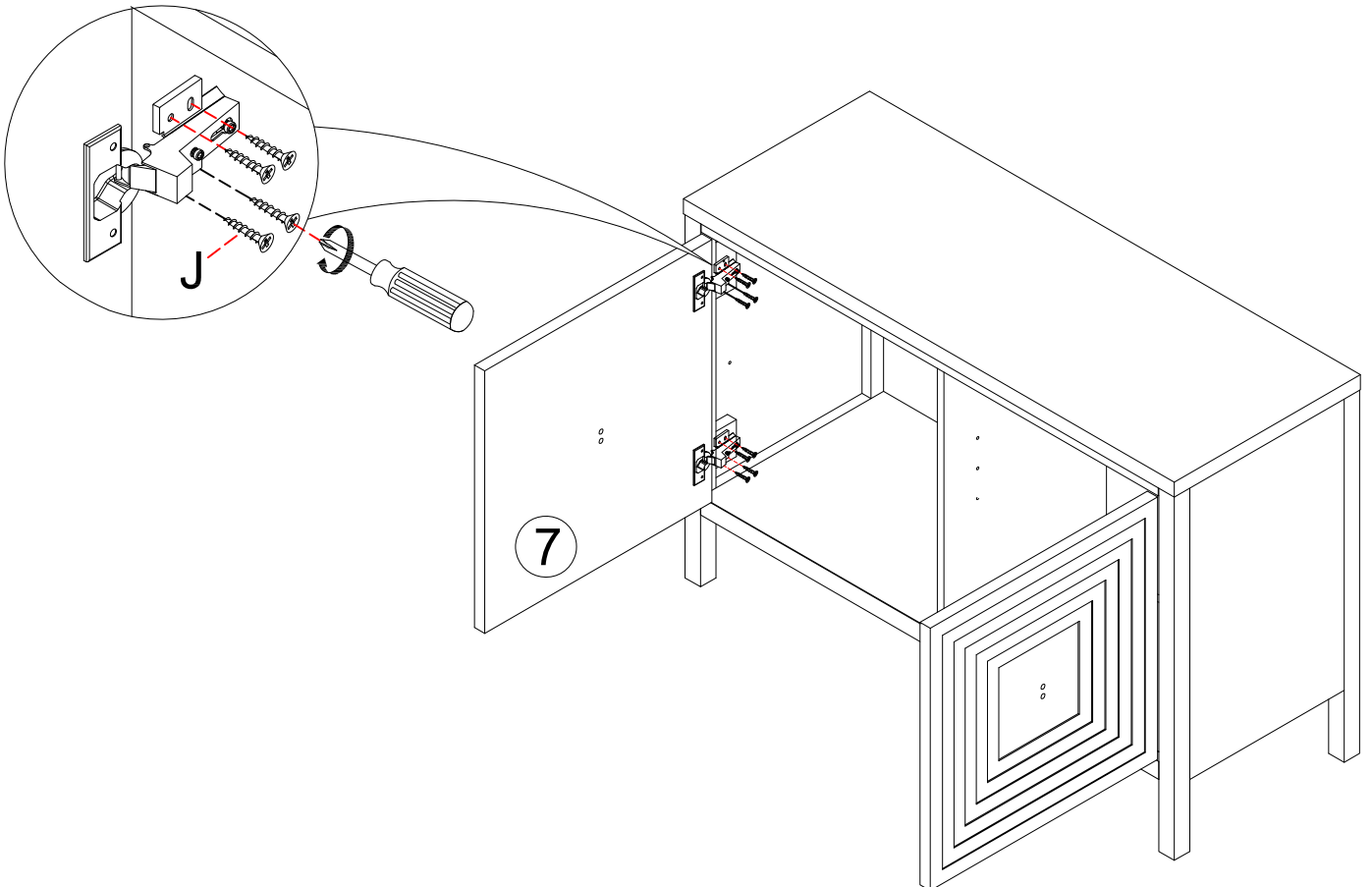
STEP 8

J		8 PCS
---	---	-------




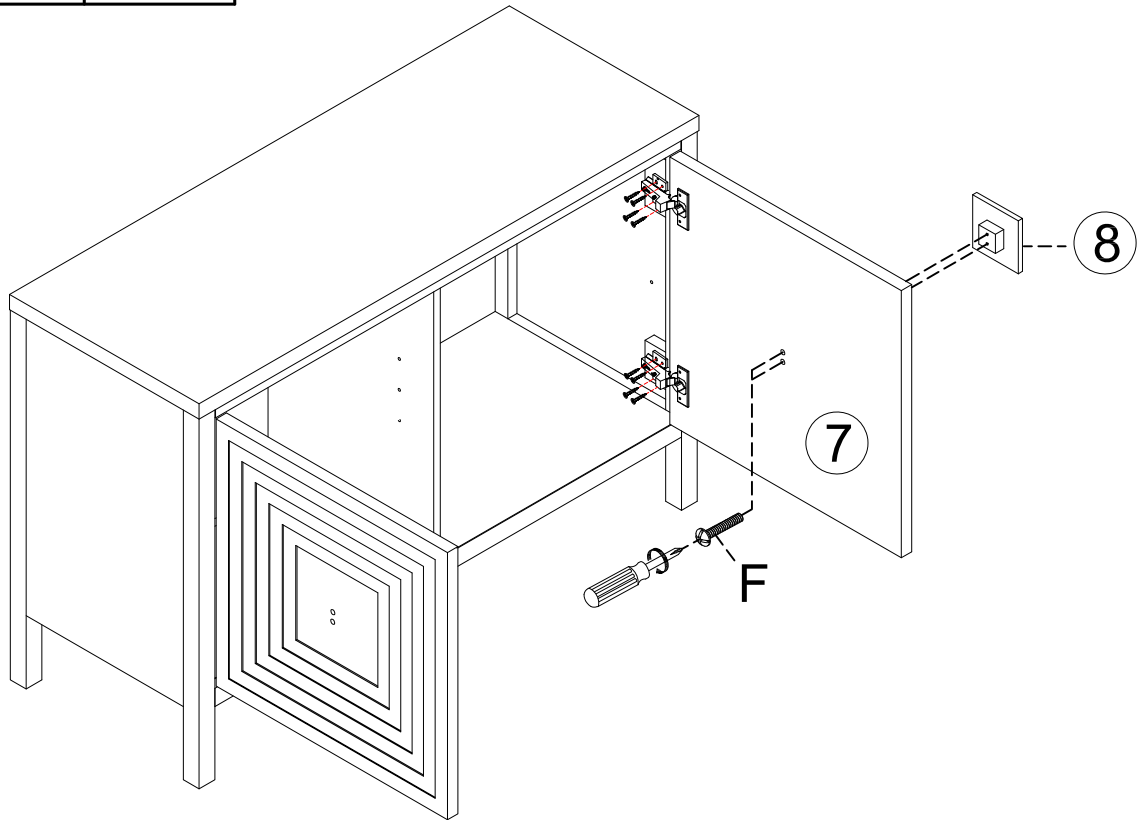
STEP 9

J		8 PCS
---	---	-------



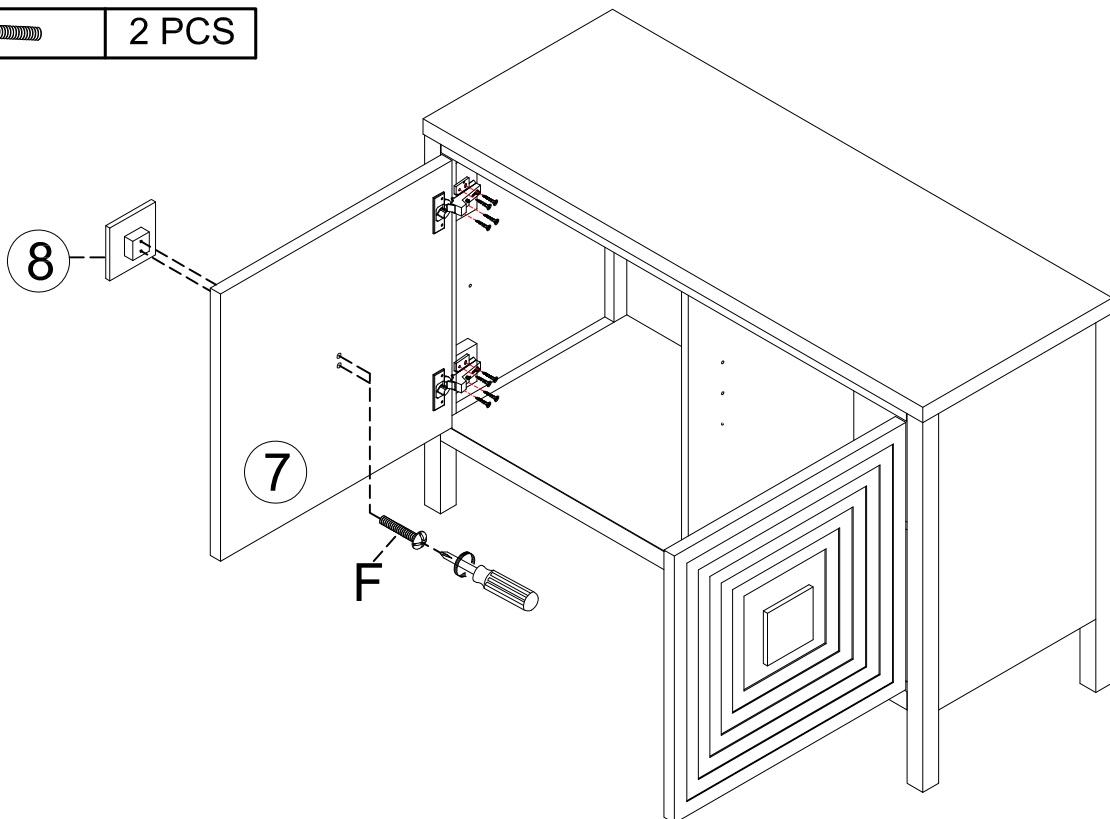
STEP 10

F		2 PCS
---	---	-------



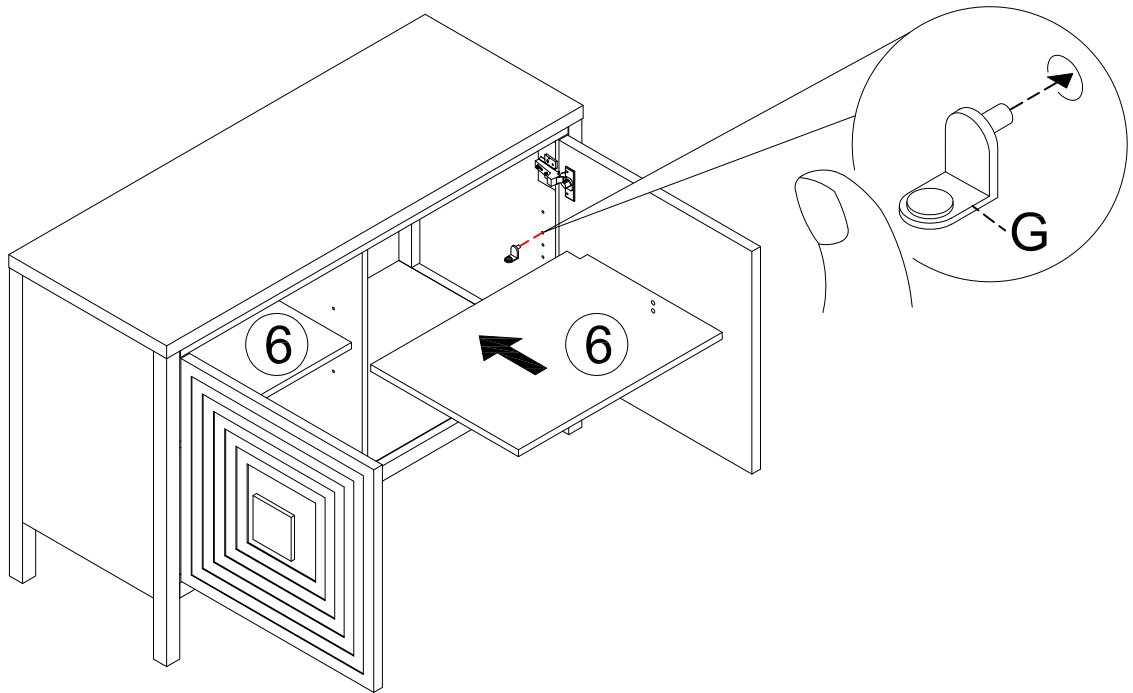
STEP 11

F		2 PCS
---	---	-------

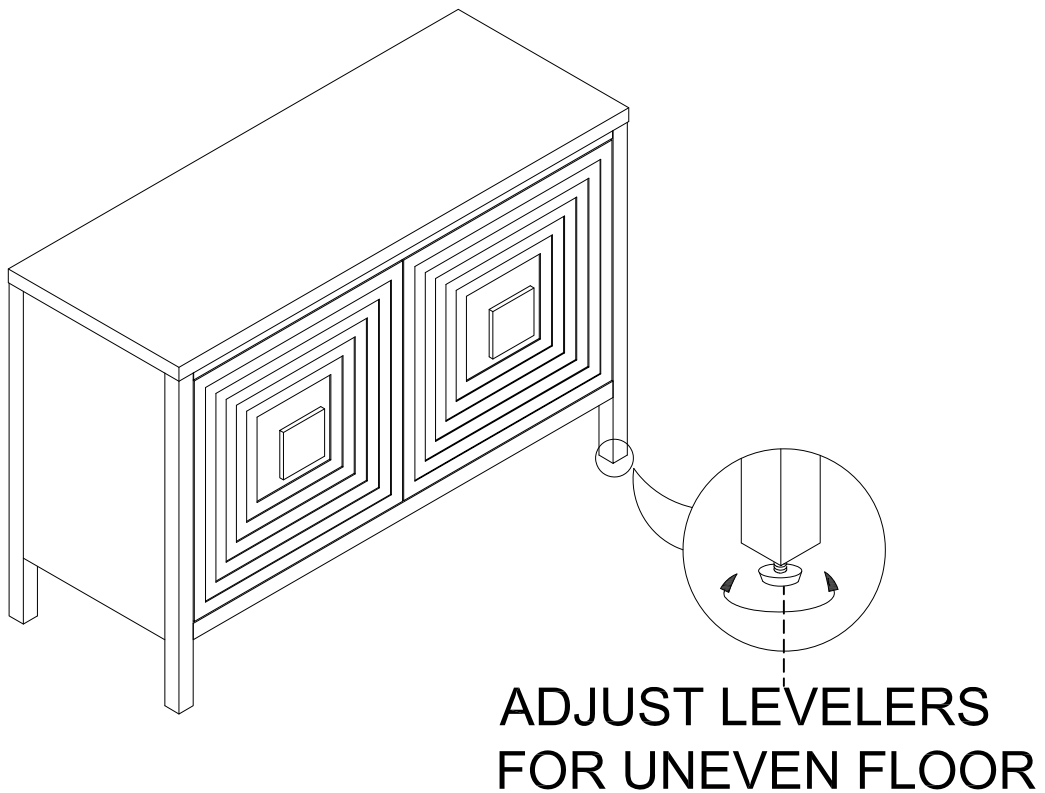


STEP 12

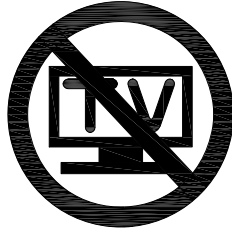
G		8 PCS
---	---	-------



STEP 13

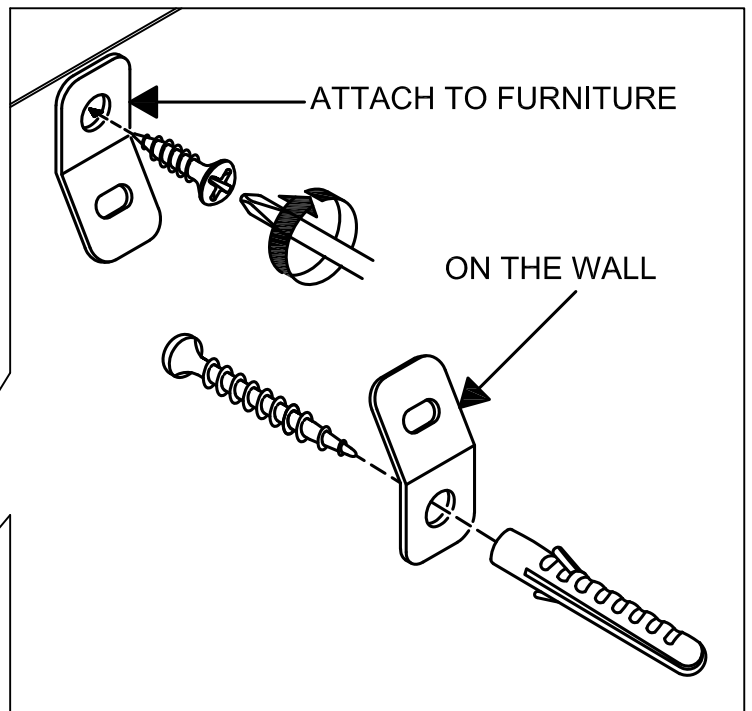
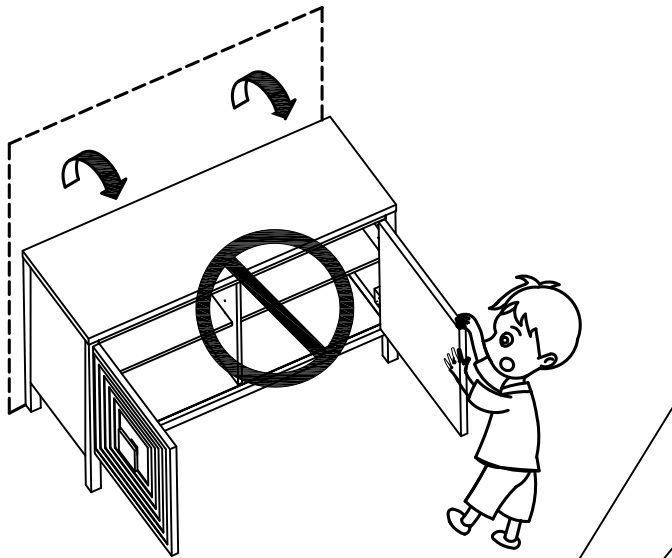


WARNING



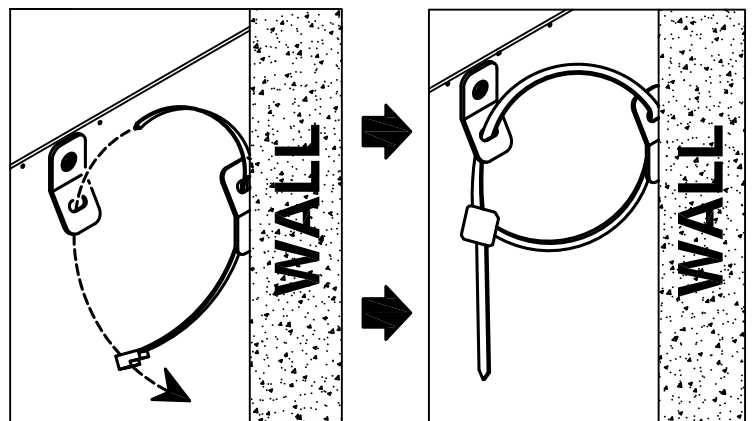
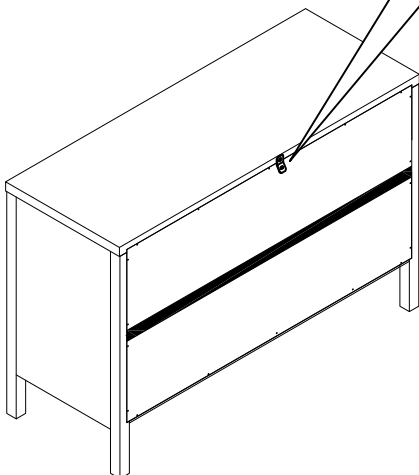
Children have died from furniture tipover. To reduce the risk of furniture tipover :

- ALWAYS install tipover restraint provided.
- NEVER put a TV on the product.
- NEVER allow children to stand, climb, or hang on drawers, doors or shelves.
- NEVER open more than one drawer at a time.
- Place heaviest items in the lowest drawers.



STEP 14

K  1 SET



EURO HINGE ADJUSTMENT INSTRUCTIONS

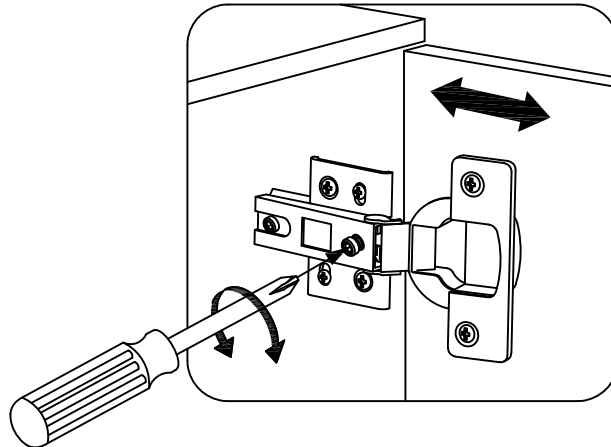
CAUTION:

Hinges may need adjustment during installation.

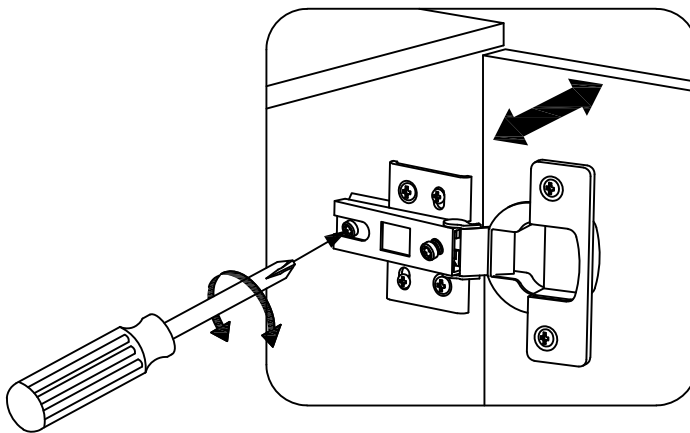
For select items, hinges are pre-installed and pre-adjusted for your convenience. However, it may be necessary to re-adjust after transit.

Close the door and check the fit. Repeat adjustments until desired result is achieved.

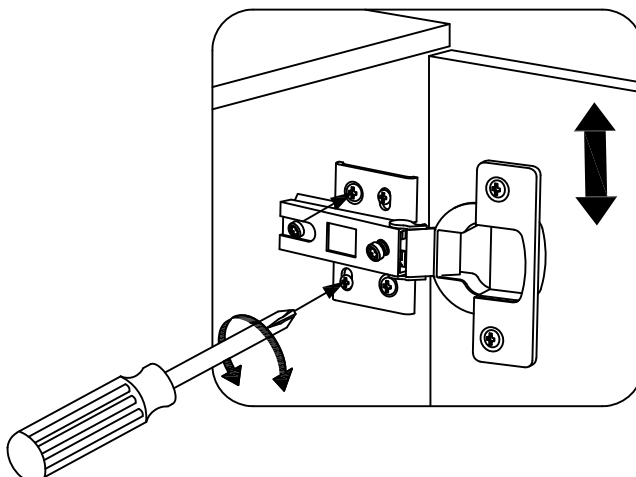
HORIZONTAL ADJUSTMENT



DEPTH ADJUSTMENT



VERTICAL ADJUSTMENT



Care & Maintenance

Do...



Wipe up spills immediately.



Dust and pick-up spills using a clean, non-colored, lint-free, dry cloth.



Use mild non-abrasive soap and water.

Don't...



Do not put hot items directly on furniture surface.



Do not clean furniture with harsh cleansers or polish.



Do not place furniture in direct sunlight.



Do not place furniture near heating or cooling vents.



Do not write on furniture without a padded barrier to protect the surface.



Do not place furniture outside. For indoor use only.