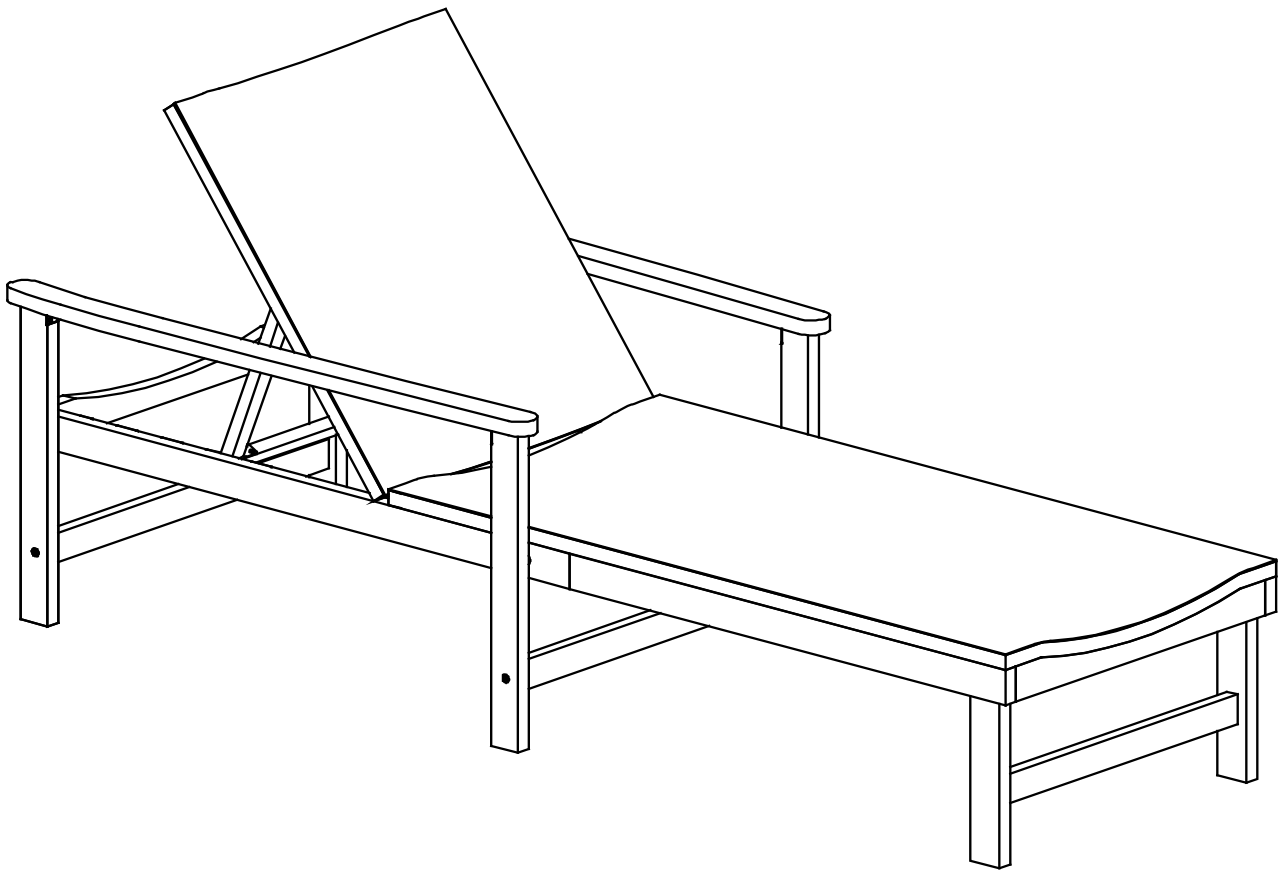


# Assembly Instructions

**Caution: You must read this before you proceed**

**Please look underneath the seat for hardware packs**

## SUNLOUNGER

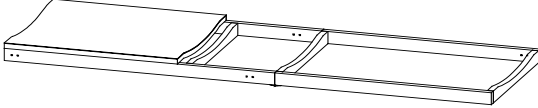

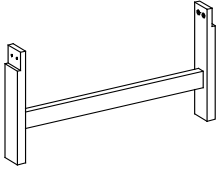
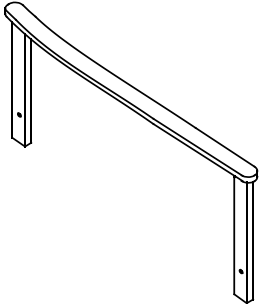
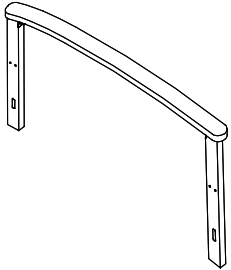
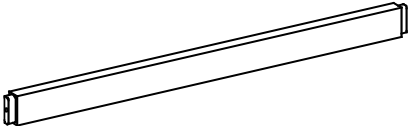


**CAUTION:** This Sunlounger is NOT a TOY.






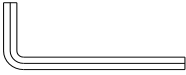
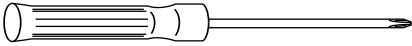
Keep your child / children at bay during the assembly process.

Whenever lifting or moving the Sunlounger and to prevent damage to the Sunlounger, two adults may be needed to execute these actions.

# Parts List

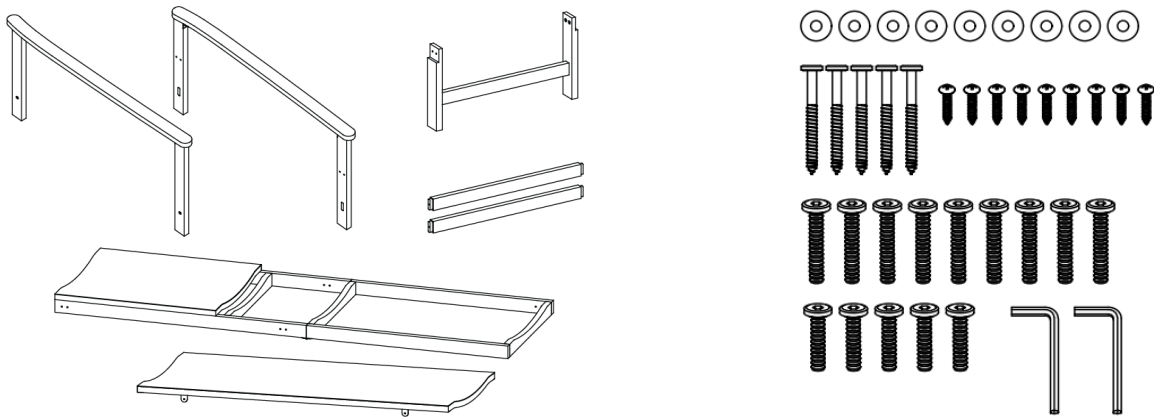
Label	Picture	Description	QTY
A		Seat Frame	1
B		Seat Panel	1
C		Leg Support Frame	1
D		Left Armrest Frame	1
E		Right Armrest Frame	1
F		Leg Support Bar	2

# Hardware

Label	Picture	Description	QTY
①		Screw (M4*20mm)	9
②		Screw (M7*60mm)	5
③		Bolt (M6*50mm)	9
④		Bolt (M6*30mm)	5
⑤		Washer (M6/16*12mm)	9
⑥		Allen Key	2
⑦		Screw driver (not provided)	1

# Assembly Preparation

Before Beginning Assembly:



- Read instructions, cover to cover-



- Have 2 adults on hand for assembly-



- Do not assemble on flooring or carpet-



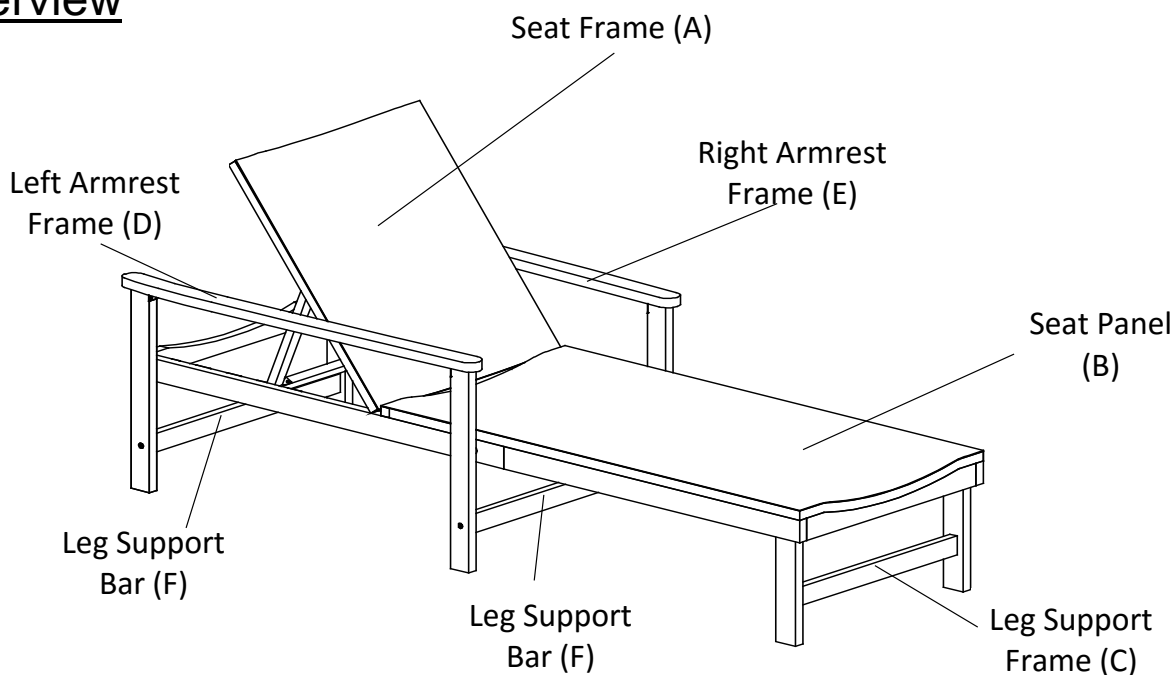
- Assemble on a clean non-marring surface (packing foam)-



- Save all packaging until finished-

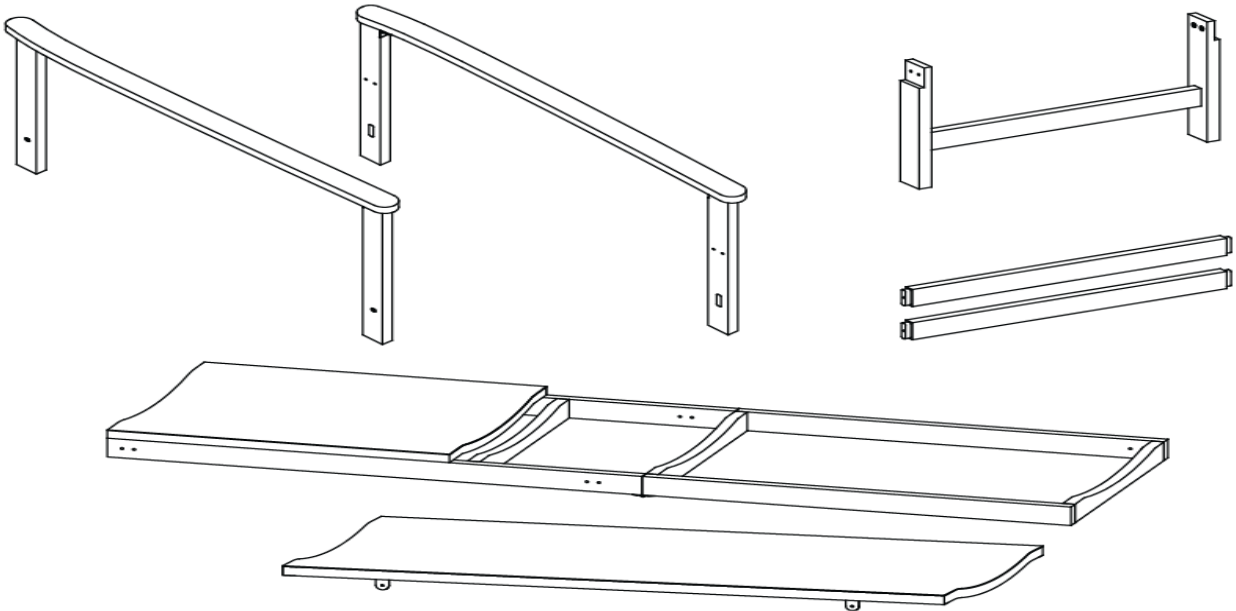
# Assembly Steps

## Overview



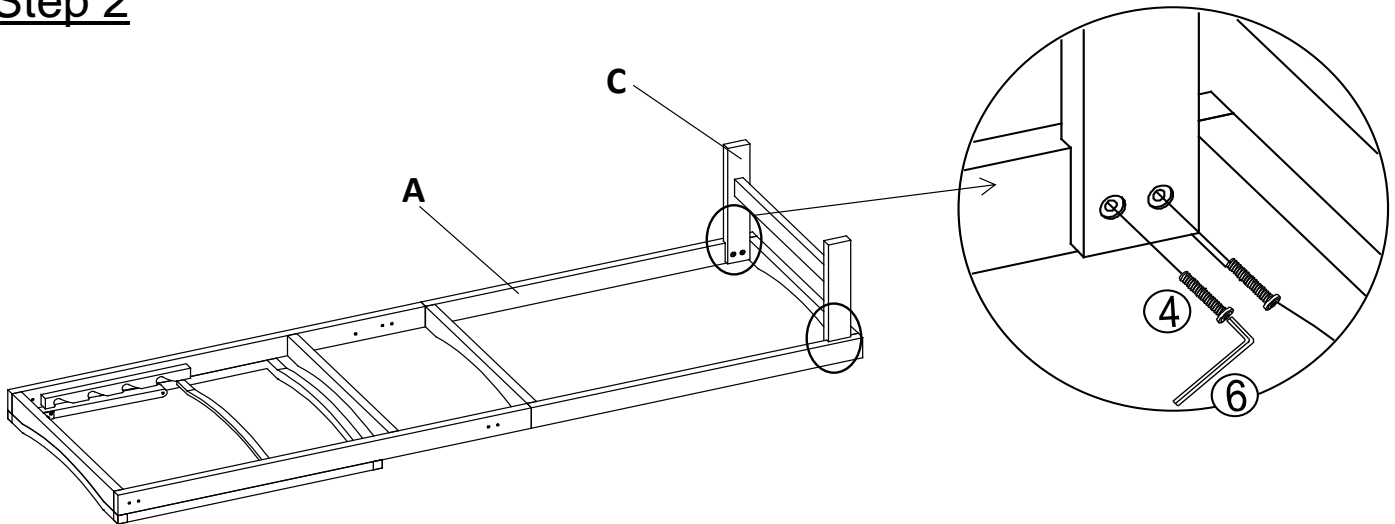
This Sunlounger has multiple parts and may require up to 30 minutes to assemble. To give you an overview of the Sunlounger, the above picture is to help you put the various parts into perspective. Please read through the instructions below to familiarise yourself with the parts and steps before assembly.

## Step 1



Unpack and place all parts on a clean, non-marring surface.

## Step 2



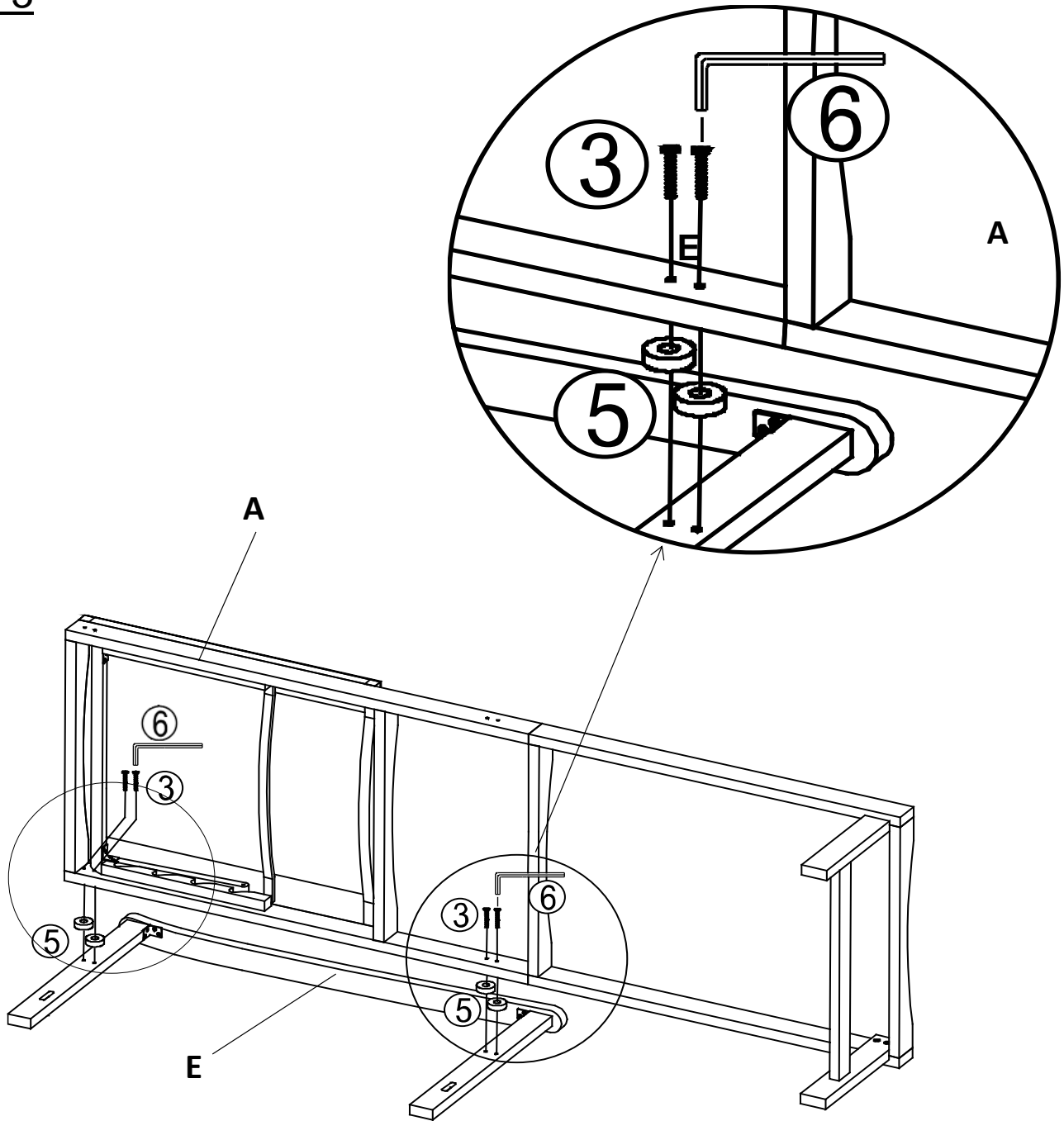
With the help of your adult partner, place Seat Frame(A) on a clean, non-marring surface.

Then position Leg Support Frame(C) to Seat Frame(A) as shown above.

Secure Leg Support Frame(C) to Seat Frame(A) by using Bolts(④) with Allen Key(⑥)

**DO NOT FULLY TIGHTEN BOLTS.**

## Step 3



Place Right Armrest Frame(E) on a clean, non-marring surface.

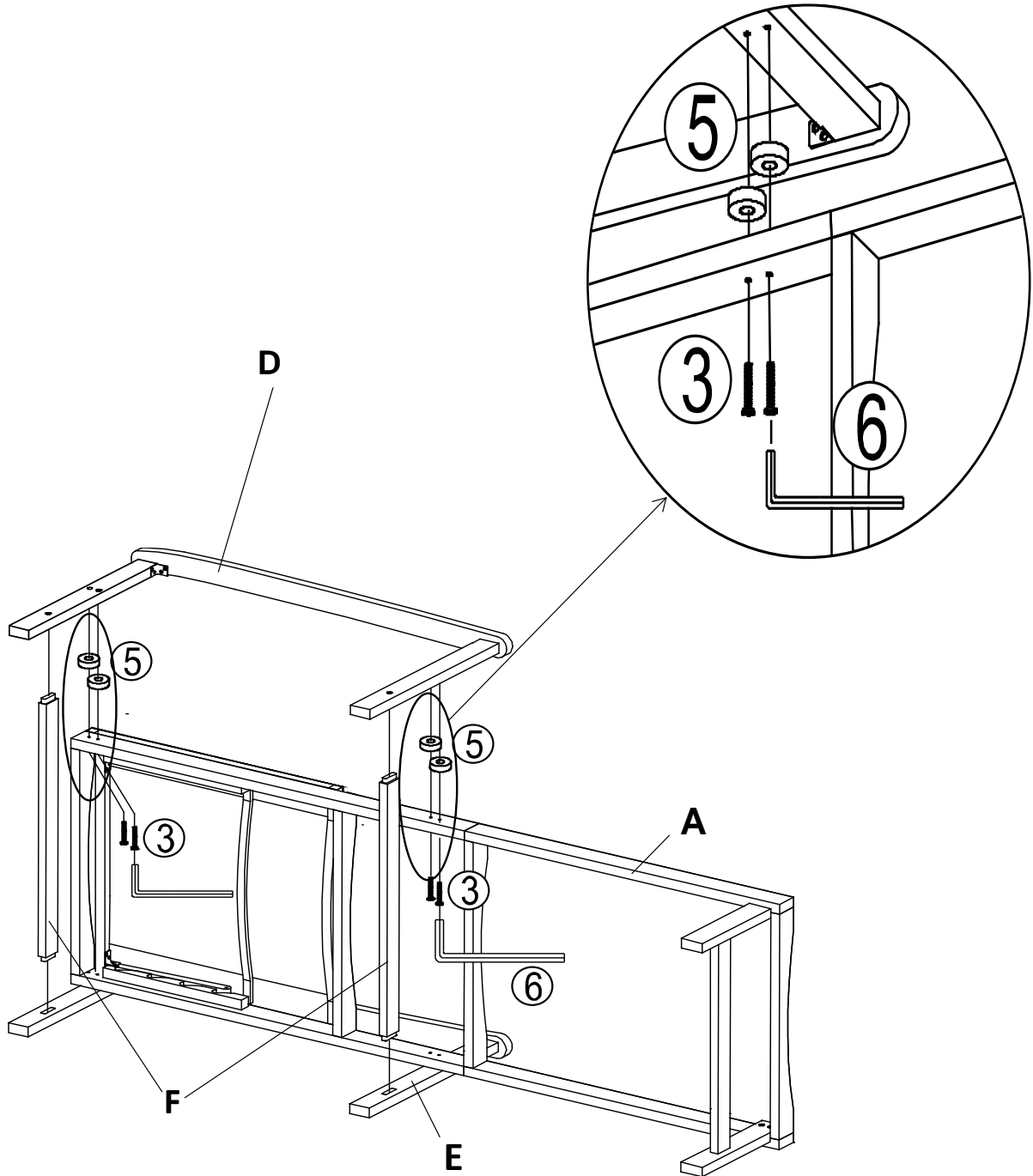
With the help of your adult partner, turn the Sunlounger lie on the Right Armrest Frame(E) as designated point.

Using Bolts(③), Washers(⑤) and Allen Key(⑥) to attach Seat Frame(A) to the Right Armrest Frame(E) as shown above.

**DO NOT FULLY TIGHTEN BOLTS.**

**Note: Washers(⑤) is in the middle of Right Armrest Frame(E) and Seat Frame(A)**

## Step 4



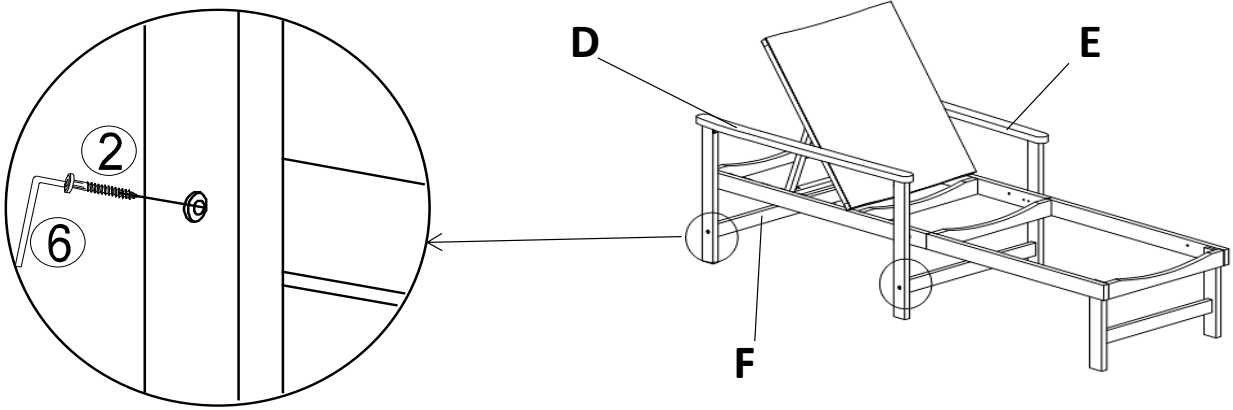
Align the Tenon of Leg Support Bar(F) into the Mortises of Right Armrest Frame(E). Then position Mortises of Left Armrest Frame(D) onto Tenon of Leg Support Bar(F) as shown above.

Secure the Left Armrest Frame (D) to Seat Frame(A) by using Bolts(③) with Allen Key(⑥)

**DO NOT FULLY TIGHTEN BOLTS.**

**Note: Washers(⑤) is in the middle of Right Armrest Frame(E) and Seat Frame(A)**

## Step 5



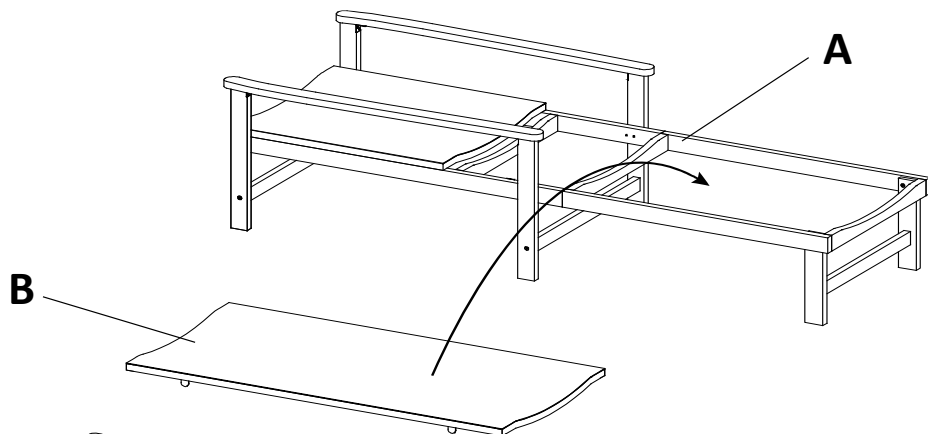
With the help from your adult partner, turn pre-assembled in step 4 right side up. Affix the Left Armrest Frame (D) to Leg Support Bar (F) by using Screws (2) with Allen Key (6) as shown above.

Then, repeat the same process of this step to attach the Right Armrest Frame (E) to Leg Support Bar (F).

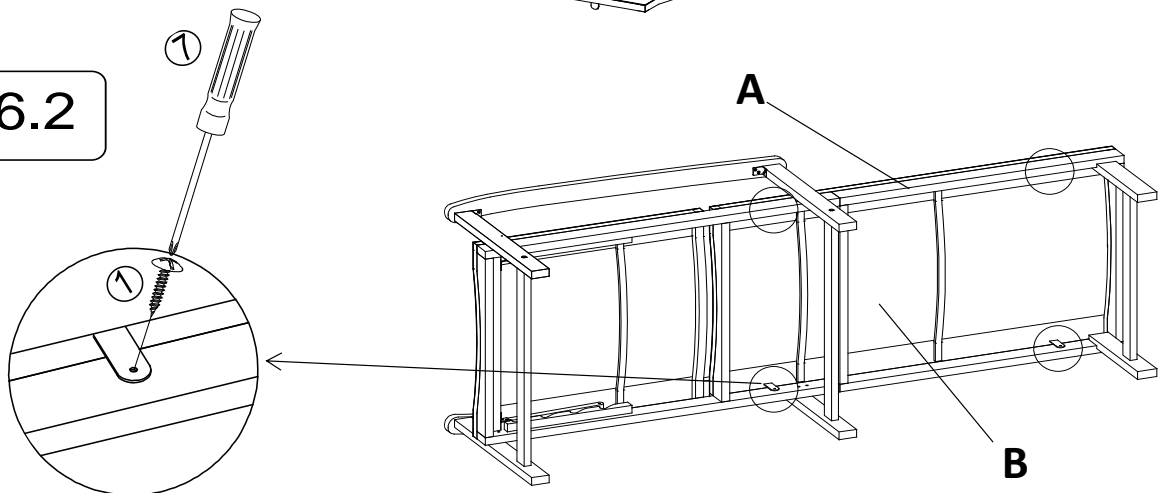
**DO NOT FULLY TIGHTEN SCREWS.**

## Step 6

### Step 6.1



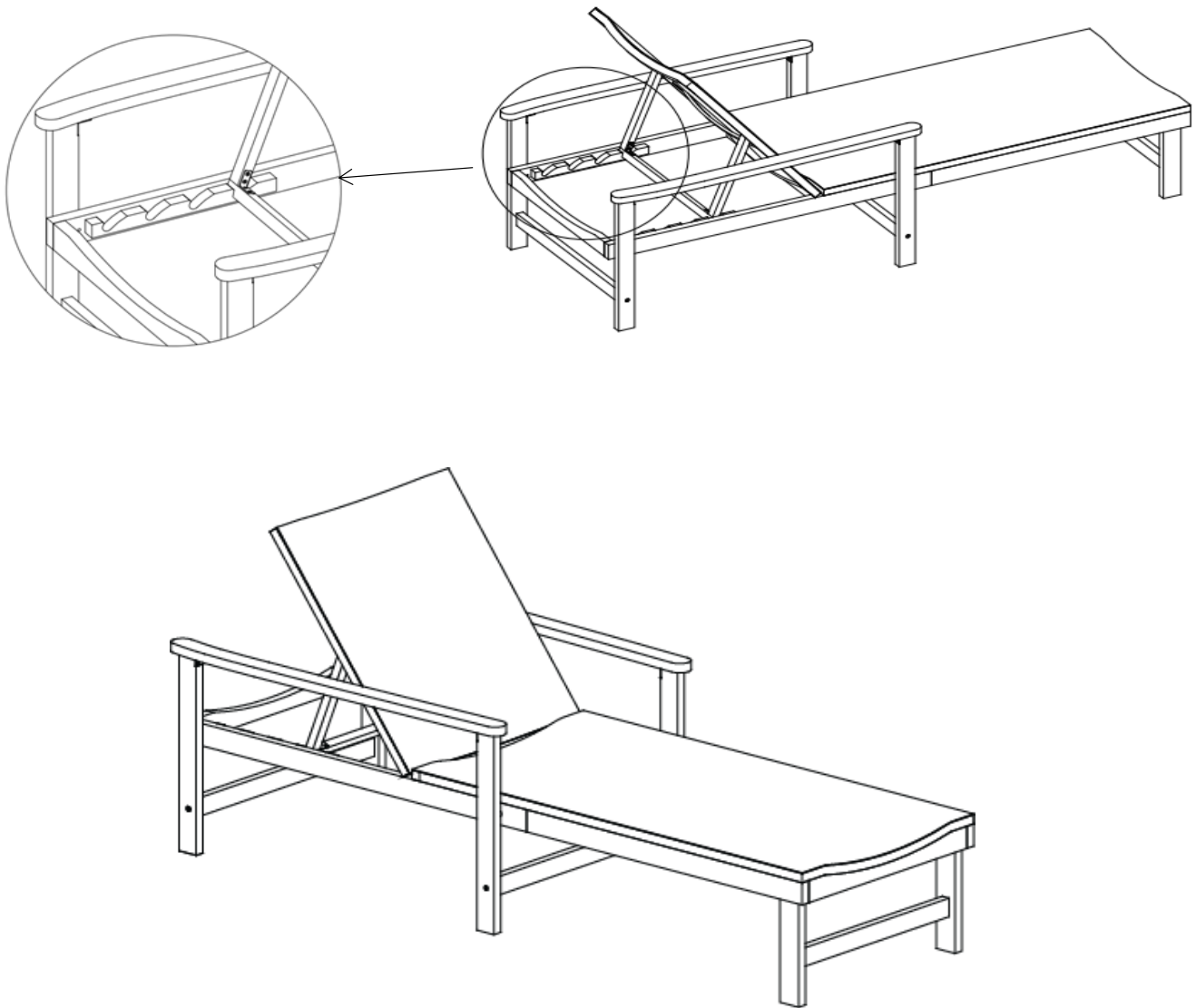
### Step 6.2



6.1: Position the Seat Panel (B) onto Seat Frame (A)

6.2: With helps from your adult partners, turn the pre-assembled in step 6.1 to its side as shown above. Then secure the Seat Panel (B) to Seat Frame (A) by using Screws (1) with Screw Driver (7)

## Step 7



Carefully sit onto the Sunlounge.

This pressure will help the Sunlounge reach full alignment at all joints.

In a sequential manner, gradually tighten all Bolts and Screws until evenly secured.










Inspect the Sunlounge and make sure all parts are adequately connected.

Your Sunlounge is ready for use.

**This Sunlounge can only be used on a flat, level surface.**

**Note: Align the Backrest of Sunlounge in position you want**

## Care & Maintenance

-  Do not put hot items directly on furniture surface
  -  Do not clean furniture with harsh cleansers or polish.
  -  To obtain the longest lifespan of your outdoor products, minimizing exposure to direct sunlight is recommended.
  -  Children should not climb or jump on the furniture.
  -  Do not write on furniture without a padded barrier to protect the surface.
  -  To obtain the longest lifespan of your outdoor products, avoid extended and lengthy exposure to rain, snow, and direct sunshine. Whenever possible cover the product and /or place under patio or awnings.
  -  Not for commercial use. For residential use only .
  -  Stains may be removed with mild soap solution and damp cloth.
- 
-  Dust and pick-up spills using a clean, non-colored, lint-free cloth .