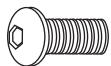


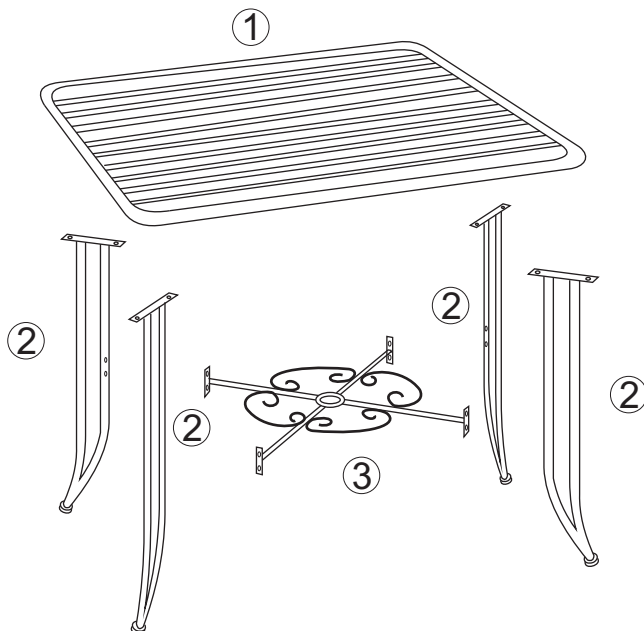
ASSEMBLY INSTRUCTIONS



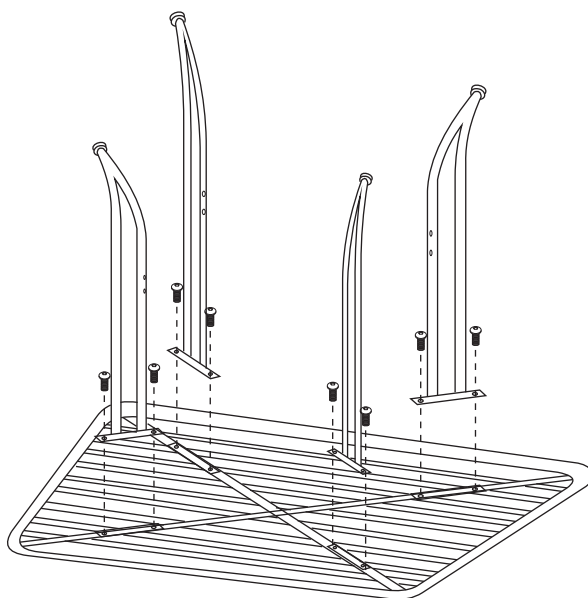
Ax16
(6x15mm)



Bx1
(4mm)

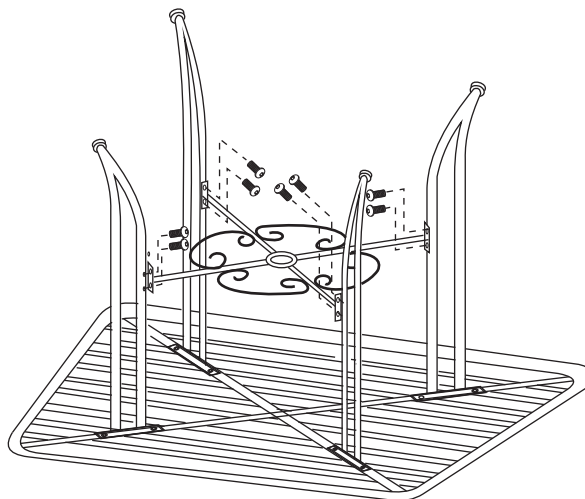


1



Ax8

2



Ax8

