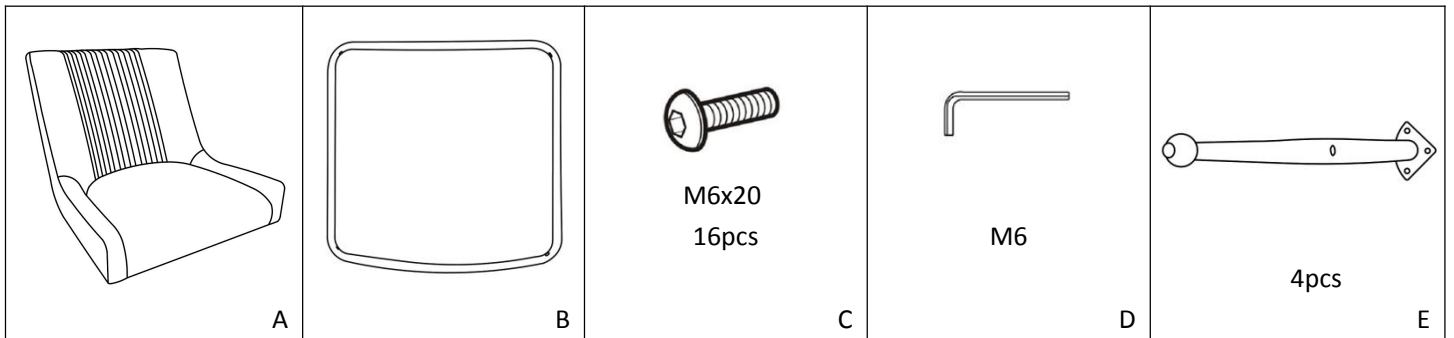


# ASSEMBLY INSTRUCTION

<<Before assembling,read all the instruction>>



**Note:** Put all the screws into the hole site,And then tighten them. Do not tighten one by one

