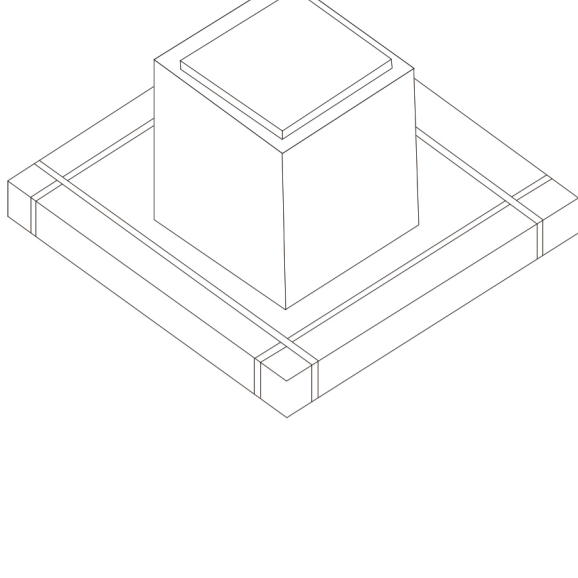


1



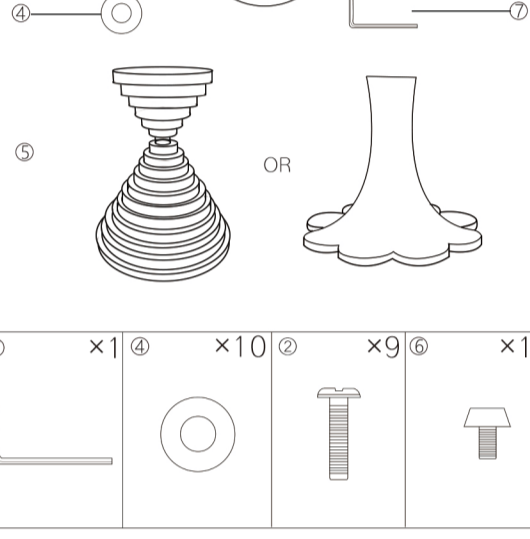
Upon receiving, please first inspect all packages. There are three packages in total, which include the tabletop, base, and connecting plate.

2



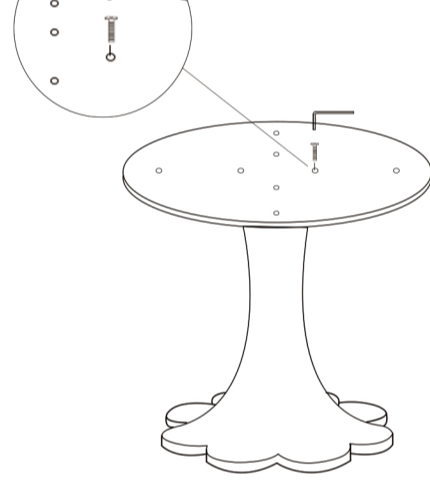
After verifying the number of packages and ensuring the product packaging is undamaged, you may proceed to open the packages. Cut off the PP belt with scissors and open the packaging box directly. Please check the sample picture.

3



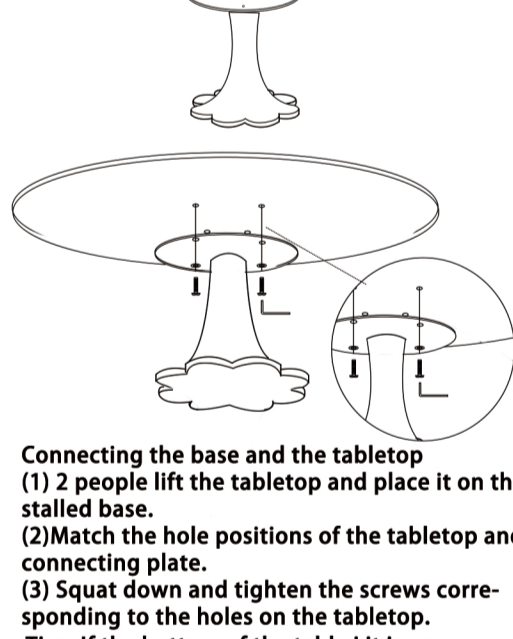
Installation components

4



Install the connecting plate
 (1) First, position the connecting plate on the base.
 (2) Install the connecting plate and base with screws according to the corresponding holes in the diagram.

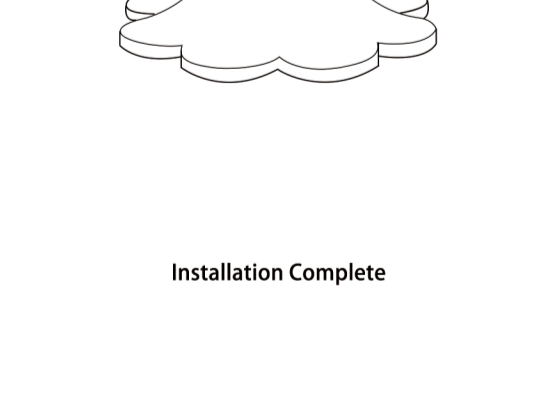
5



Connecting the base and the tabletop
 (1) 2 people lift the tabletop and place it on the installed base.
 (2) Match the hole positions of the tabletop and the connecting plate.
 (3) Squat down and tighten the screws corresponding to the holes on the tabletop.

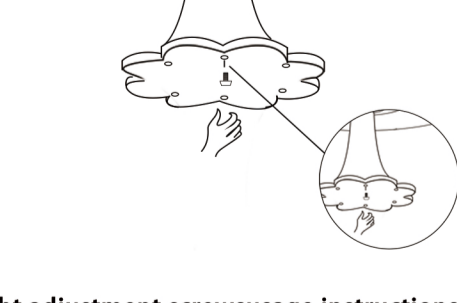
Tips: If the bottom of the table is too dark, it is recommended to use a flashlight to illuminate the holes to help complete the assembly.

6



Installation Complete

7



Height adjustment screws usage instructions
 This component is a height adjustment screw that can be installed at the bottom of the base to adjust for uneven surfaces.