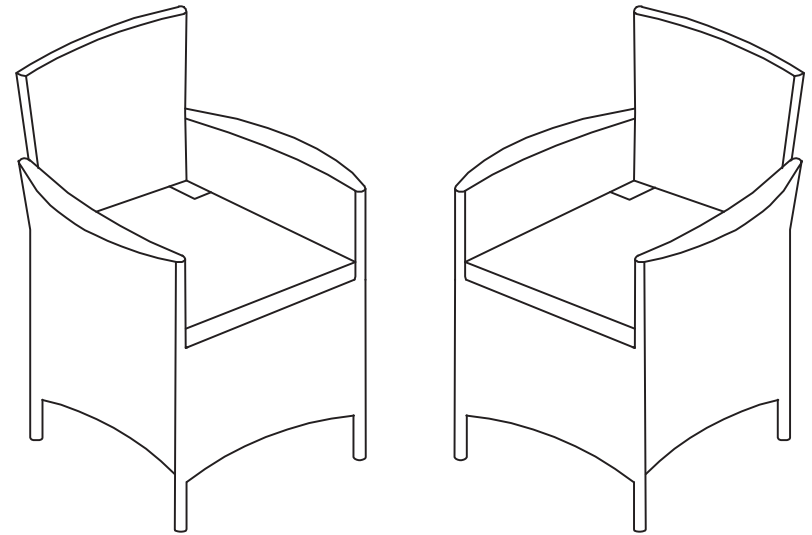


Instruction manual

KEMBLE & MARSTON STACKABLE CHAIRS X2



⚠ SAFETY AND CARE ADVICE ⚠

PLEASE READ THESE INSTRUCTIONS CAREFULLY AND KEEP FOR FUTURE REFERENCE

- **Warning:** Please lift with care.
- Check you have all the components and tools listed on pages 2
- Remove all fittings from the plastic bags and separate them into their groups.
- Keep children and animals away from the work area, small parts could choke if swallowed.
- Make sure you have enough space to lay out the parts before starting.
- Do not stand or put weight on the product, this could cause damage.
- Assemble the item as close to its final position (in the same room) as possible.



- Assemble on a soft level surface to avoid damaging the unit or your floor (use opened unit carton).

- We do not recommend the use of power drill/drivers **for inserting screws**, as this could damage the unit. Only use hand screwdrivers.
- Dispose of all packaging carefully and responsibly.

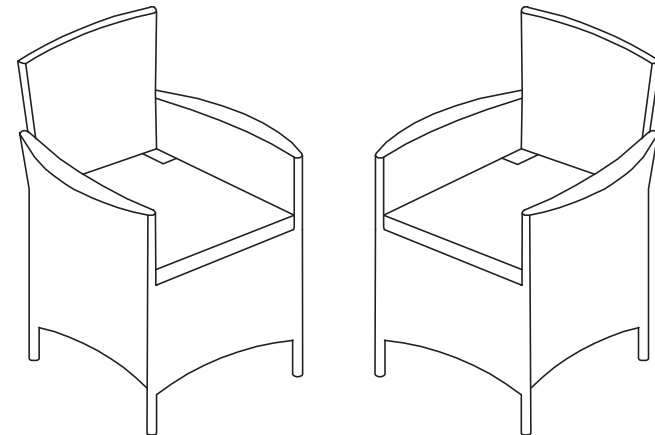
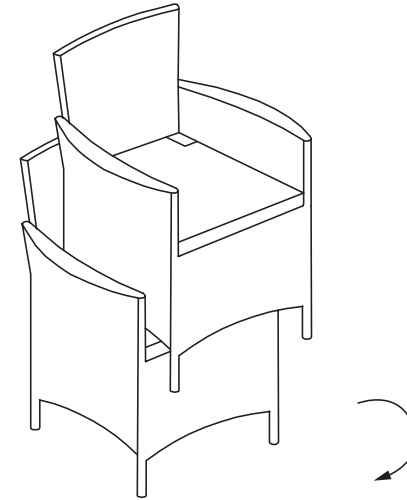
CARE AND MAINTENANCE

- Only clean using a damp cloth and mild detergent, do not use bleach or abrasive cleaners.
- From time to time check that there are no loose screws on this unit.

- This product should not be discarded with household waste. Take to your local authority waste disposal center.

Note If required the next page can be cut out and used as reference throughout the assembly. Keep this page with these instructions for future reference.

ASSEMBLY INSTRUCTIONS



Congratulations! Now you have finished assembling the product.

IF YOU FIND A DEFECTIVE PART




We fully stock all parts and components. Any defective part can be quickly replaced. Take note of the defective part number in manual and we will arrange a replacement.

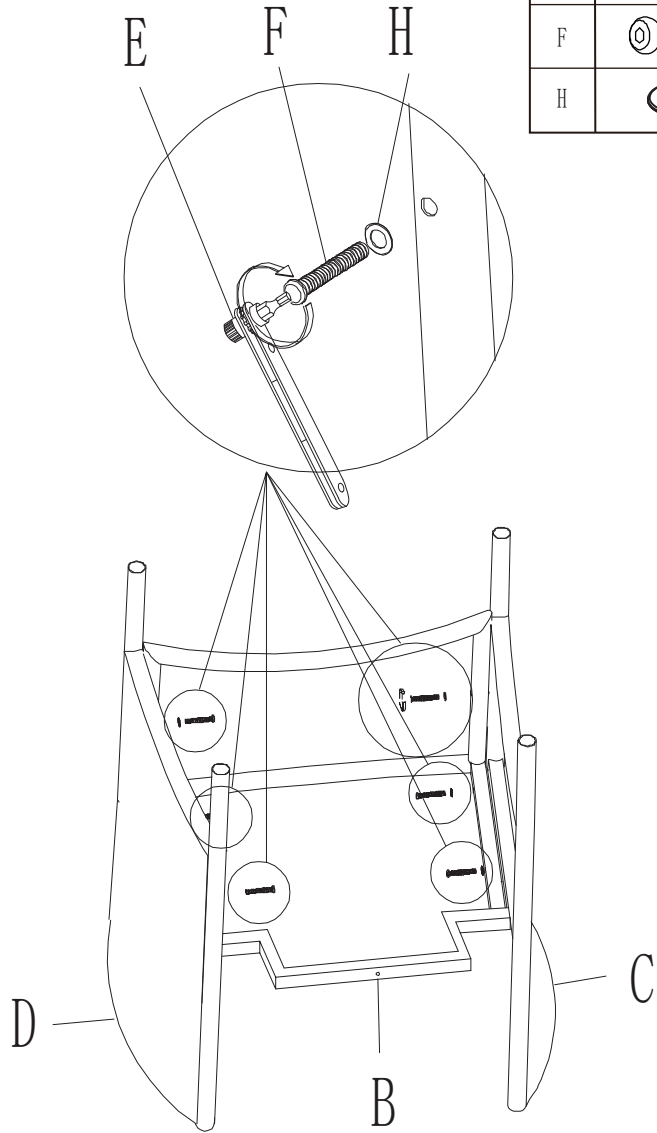
CONTENTS

Safety and care advice	1
Components	2
Assembly instructions	3
Copyright	7

ASSEMBLY INSTRUCTIONS




Step 1

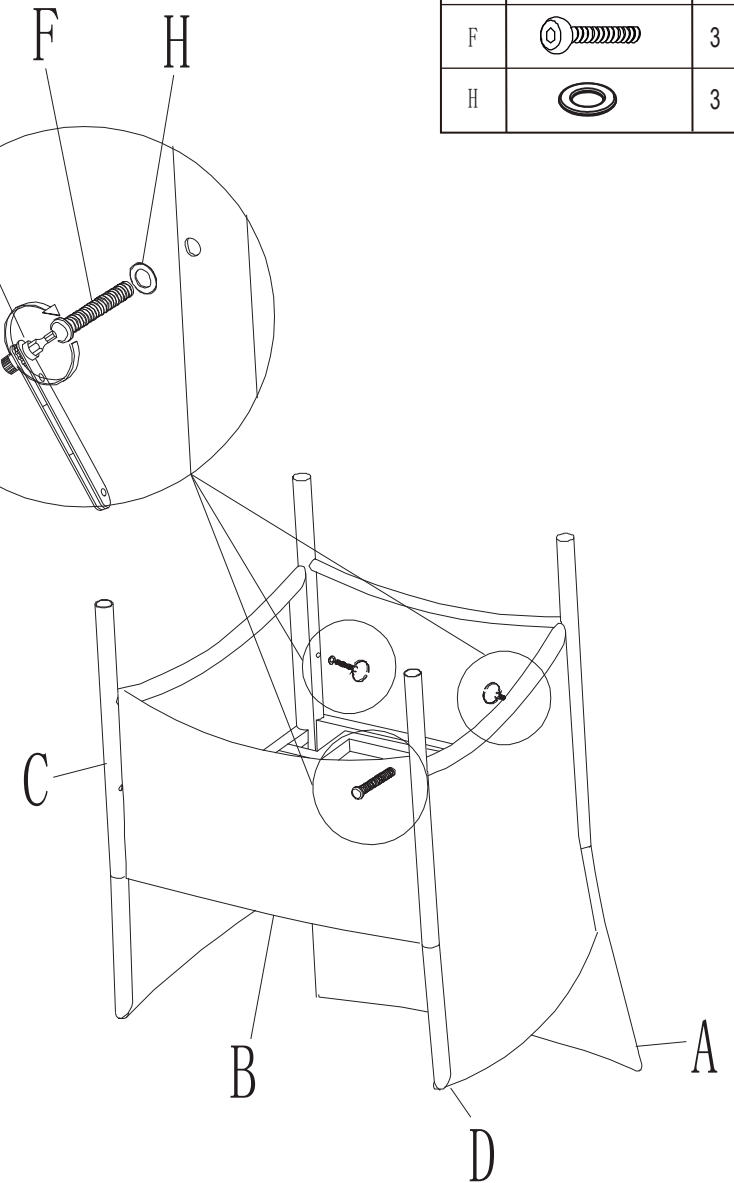
E		1
F		6
H		6



ASSEMBLY INSTRUCTIONS

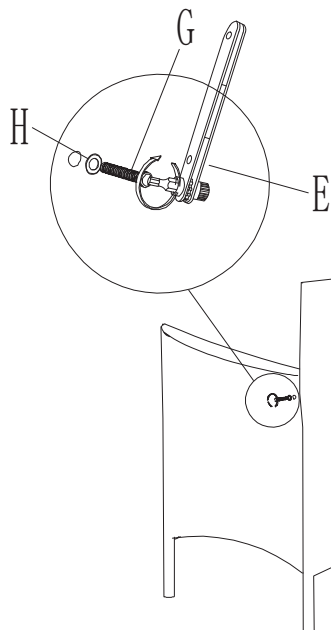
Step 2

E		1
F		3
H		3



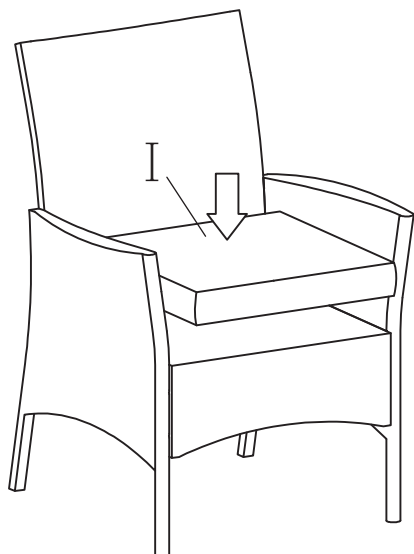
ASSEMBLY INSTRUCTIONS

Step 3



E		1
G		2
H		2

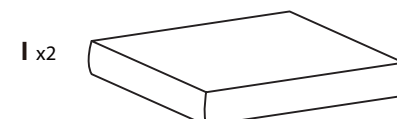
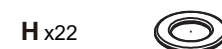
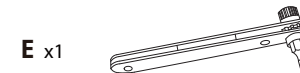
Step 4



Repeat Steps 1 to 3 for the 2nd chair.

COMPONENTS

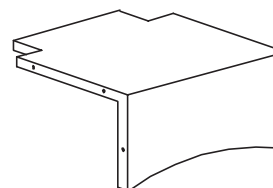
Ensure the following components are in the box before proceeding with assembly:



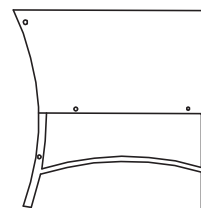
A x2



B x2



C x2



D x2

