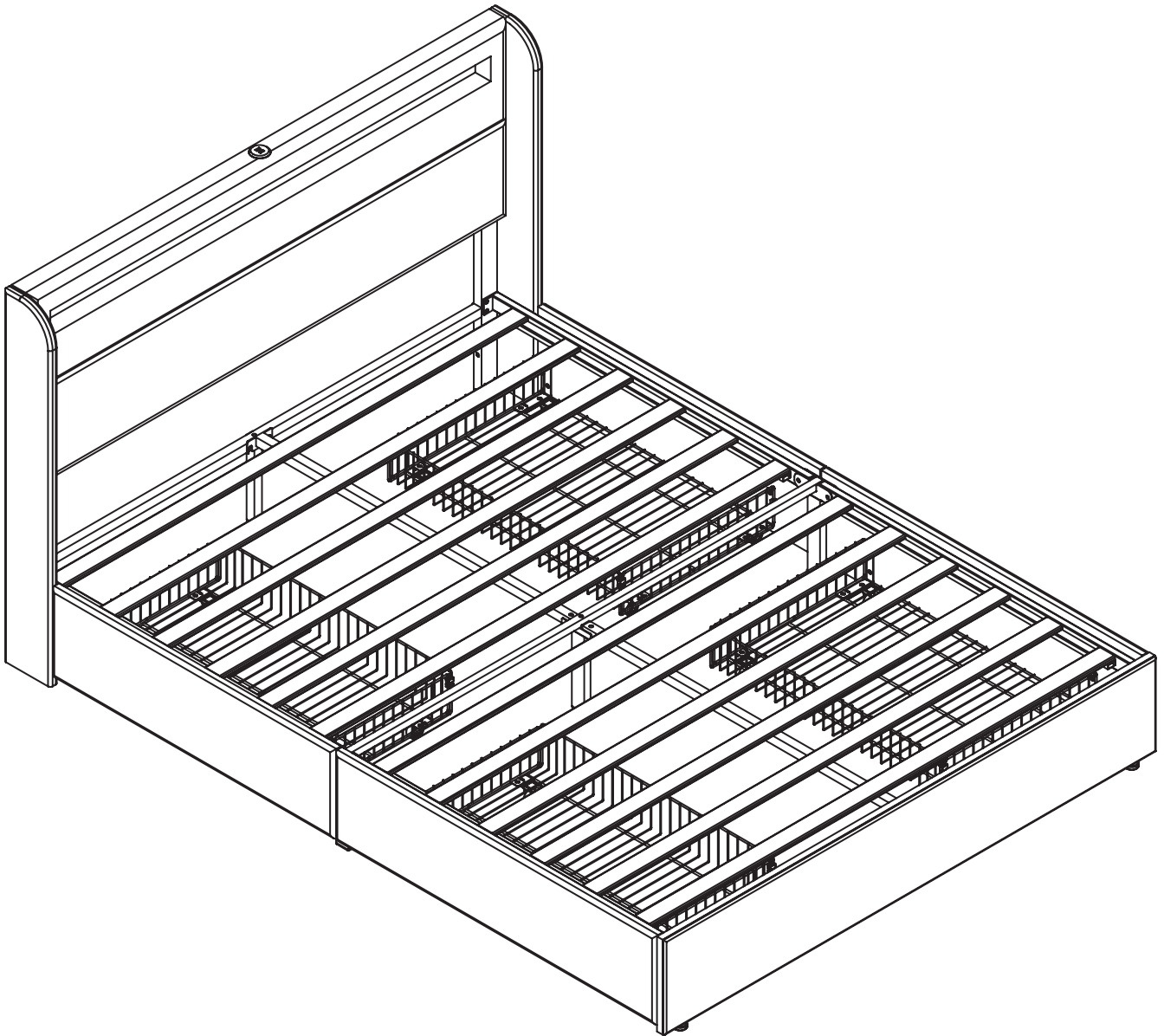


## Upholstered Storage Bed with LED Lights & Wingback Assembly Instructions

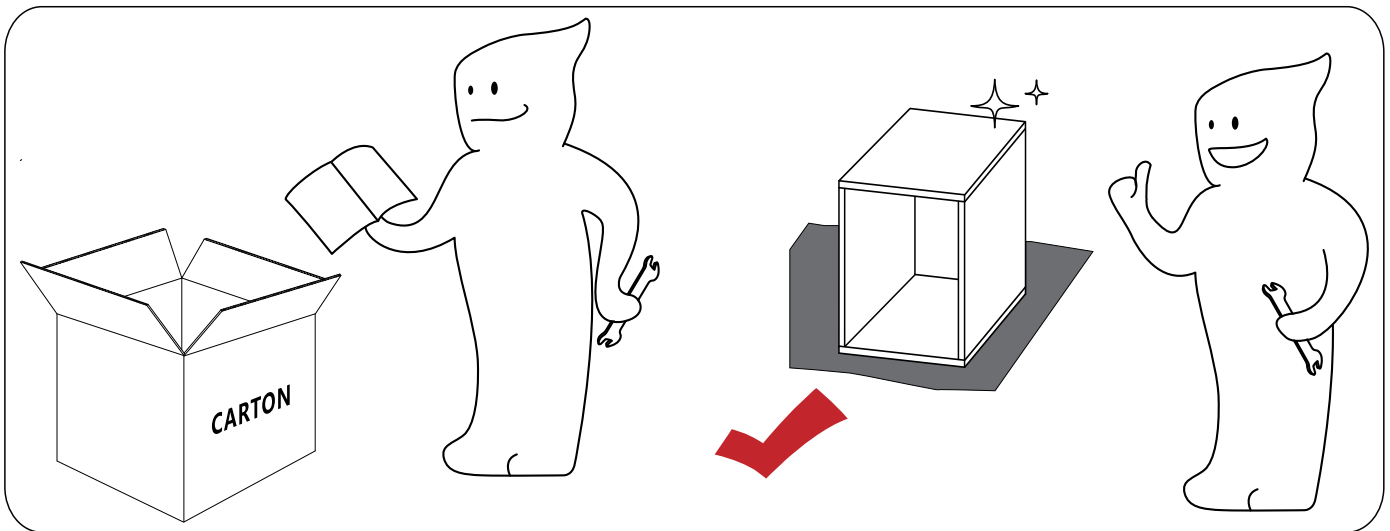
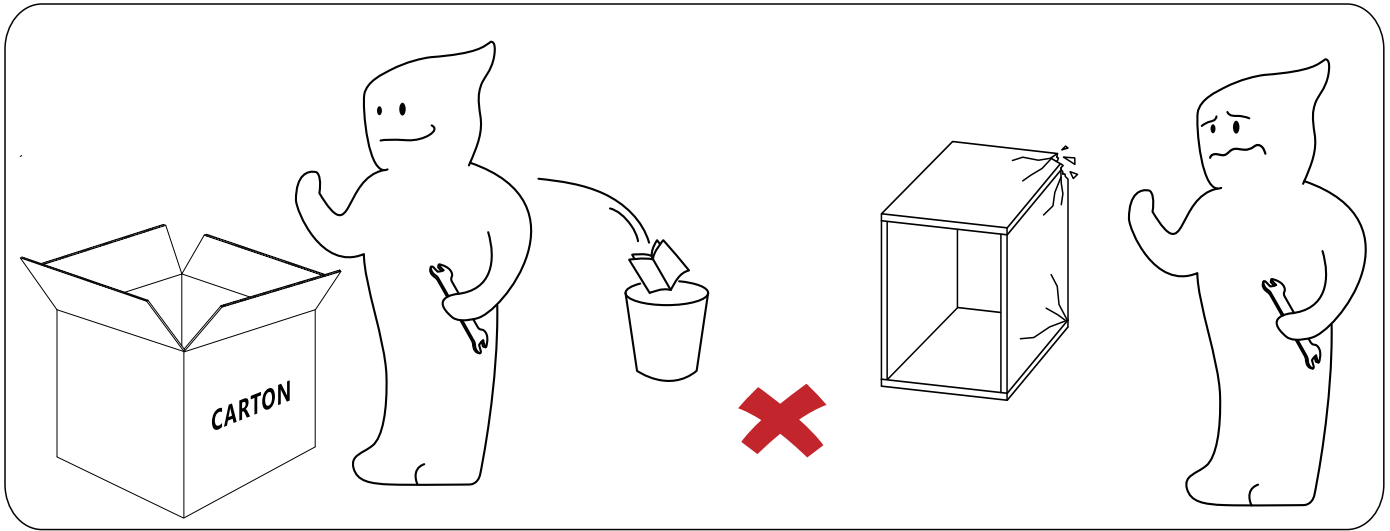


### **Dear Customers,**

Thank you for purchasing our product. Please read this instruction manual carefully after receiving this product. It will help you assemble this product quickly, safely and correctly. You can keep this manual for future reference.

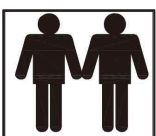


Please follow the instruction manuals and use a pad to protect the product during your assembly.



**Note:**

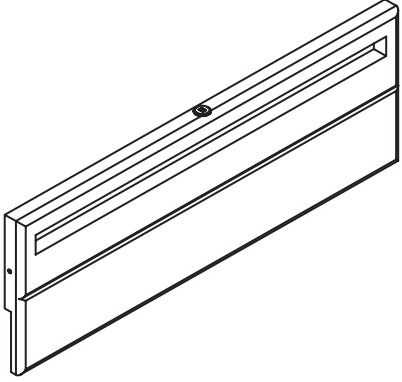
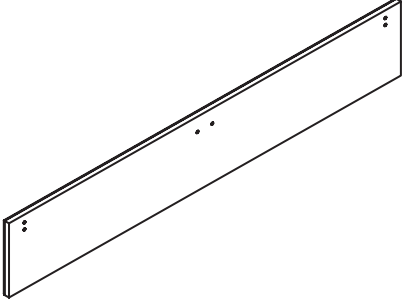




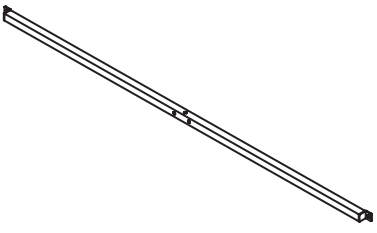


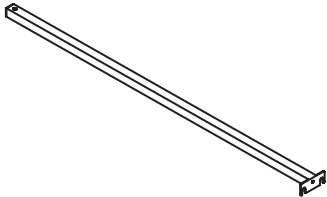
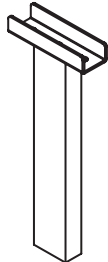
1. Should be assembled on flat ground to keep balance.
2. Before completing the installation, do not tighten the screws.



For easier and better assembly, **2** or more adults are required.

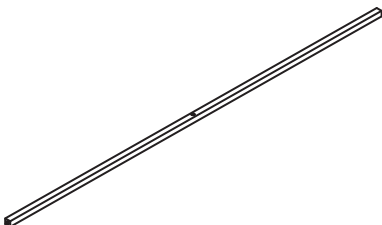
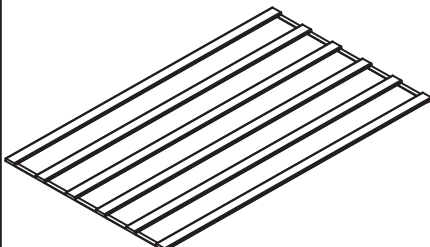
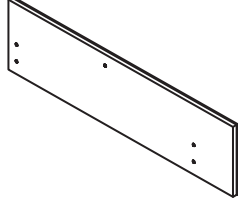
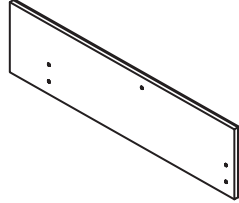
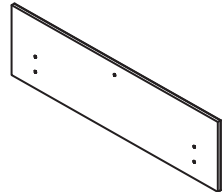
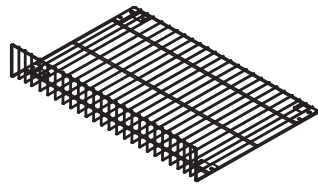
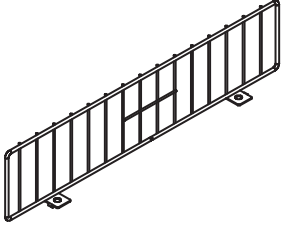
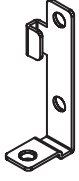
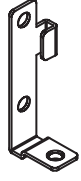

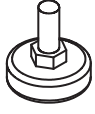

# ASSEMBLY INSTRUCTIONS

## PARTS LIST

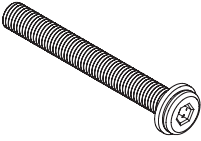
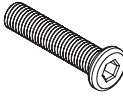


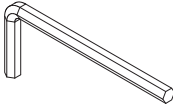
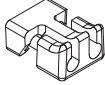
<p>1</p>  <p>1PC</p>	<p>2</p>  <p>1PC</p>	
<p>3</p>  <p>1PC</p>	<p>4</p>  <p>1PC</p>	<p>5</p>  <p>1PC</p>
<p>6</p>  <p>1PC</p>	<p>7</p>  <p>1PC</p>	<p>8</p>  <p>1PC</p>
<p>9</p>  <p>2PCS</p>	<p>10</p>  <p>2PCS</p>	<p>11</p>  <p>1PC</p>

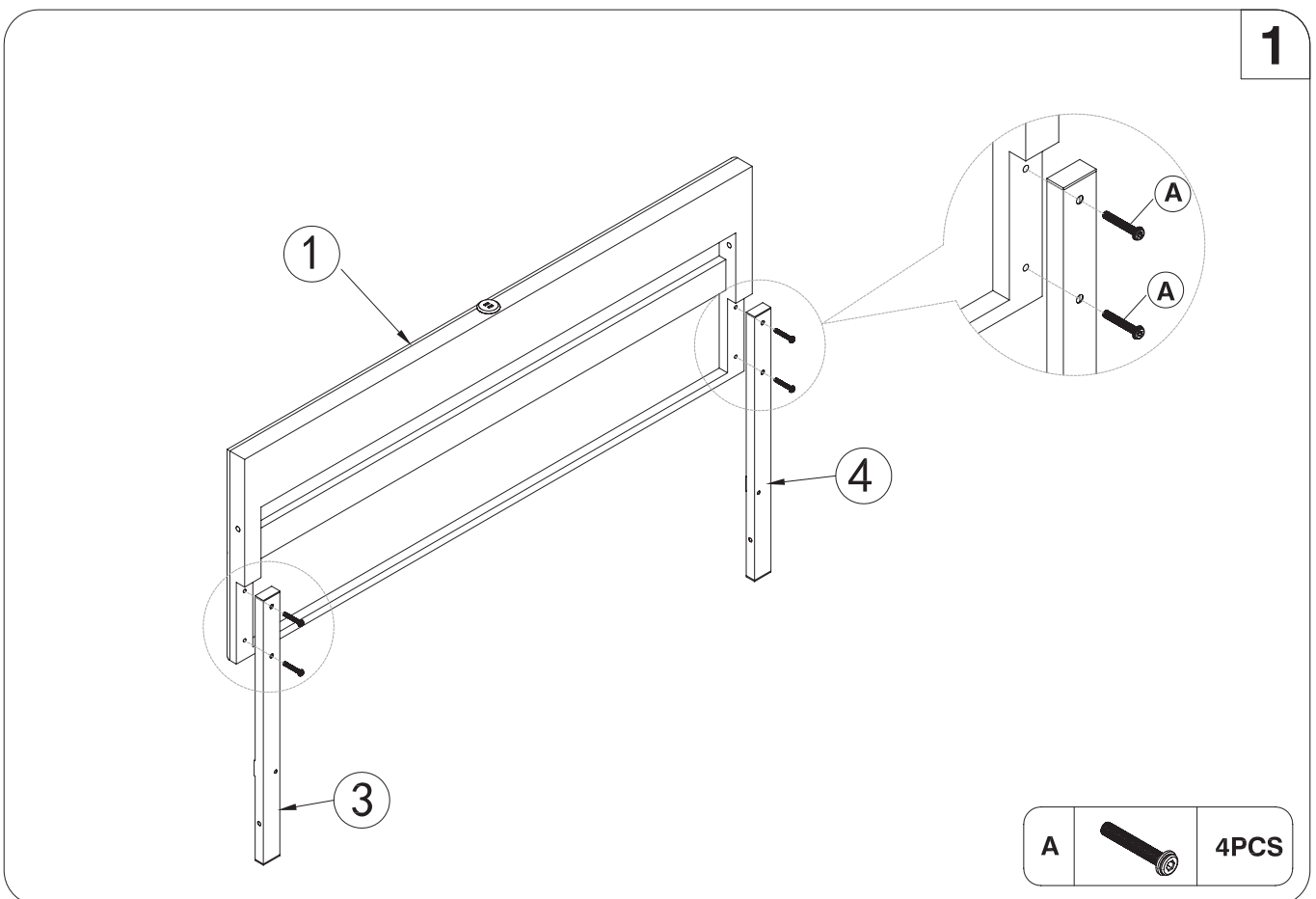
# ASSEMBLY INSTRUCTIONS

## PARTS LIST

<p>12</p>  <p>1PC</p>	<p>13</p>  <p>2PCS</p>	<p>14</p>  <p>1PC</p>
<p>15</p>  <p>1PC</p>	<p>16</p>  <p>2PCS</p>	<p>17</p>  <p>4PCS</p>
<p>18</p>  <p>8PCS</p>	<p>19</p>  <p>4PCS</p>	<p>20</p>  <p>4PCS</p>
<p>21</p>  <p>16PCS</p>	<p>22</p>  <p>2PCS</p>	<p>A</p>  <p>M8x50</p> <p>5PCS</p>

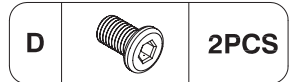
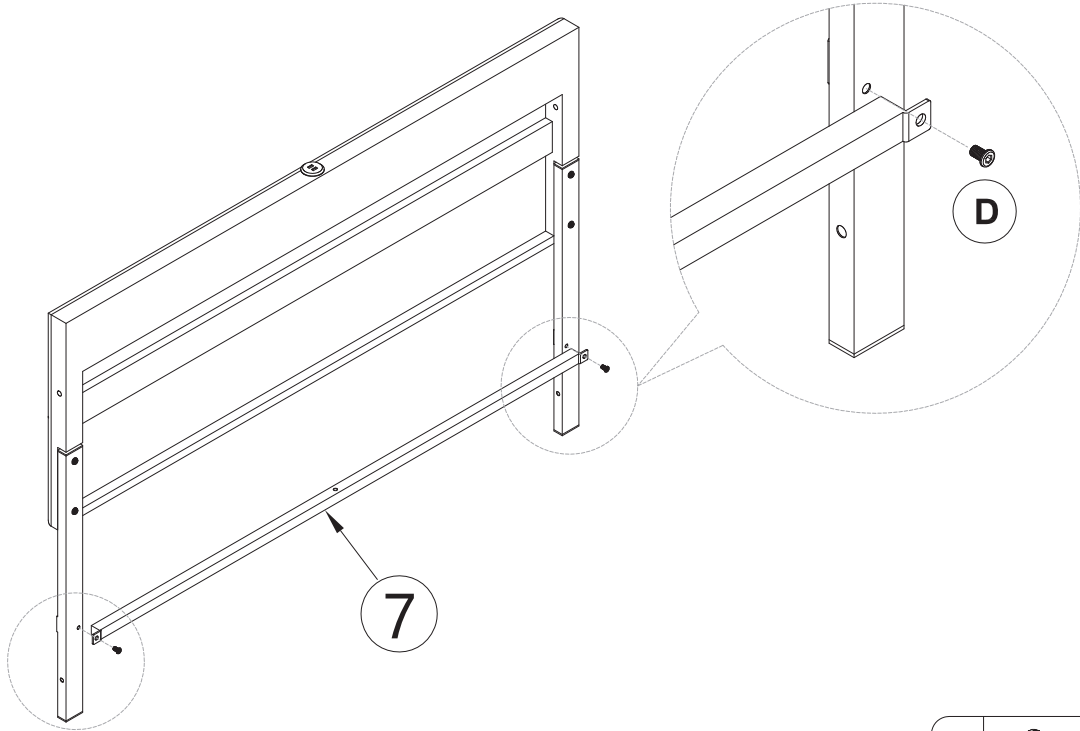
# ASSEMBLY INSTRUCTIONS

<b>B</b>  M8x65 4PCS	<b>C</b>  M8x35 3PCS	<b>D</b>  M8x12 44PCS
<b>E</b>  16PCS	<b>F</b>  M8 1PC	<b>G</b>  8PCS

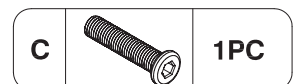
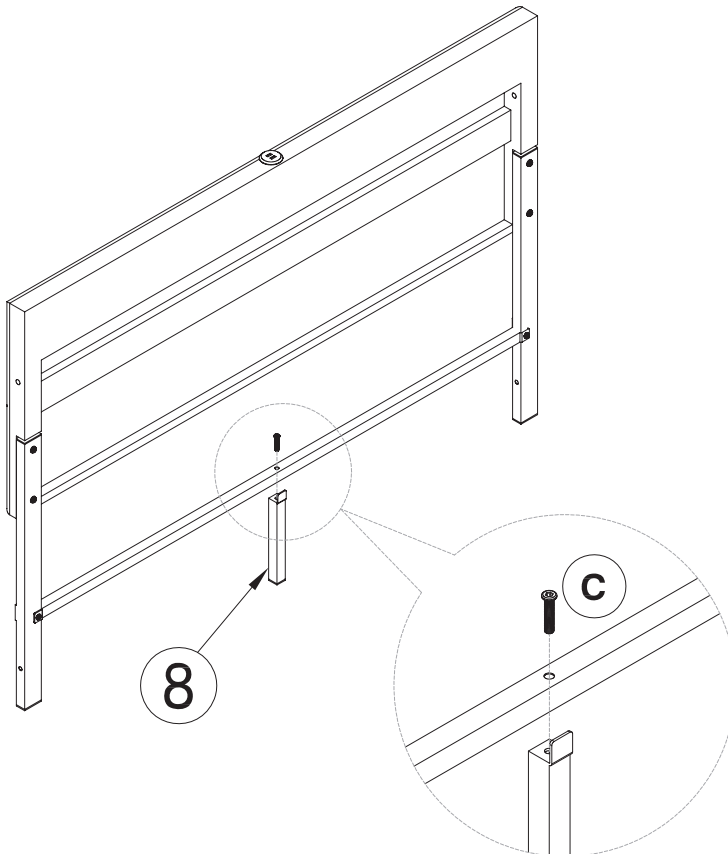


# ASSEMBLY INSTRUCTIONS

2

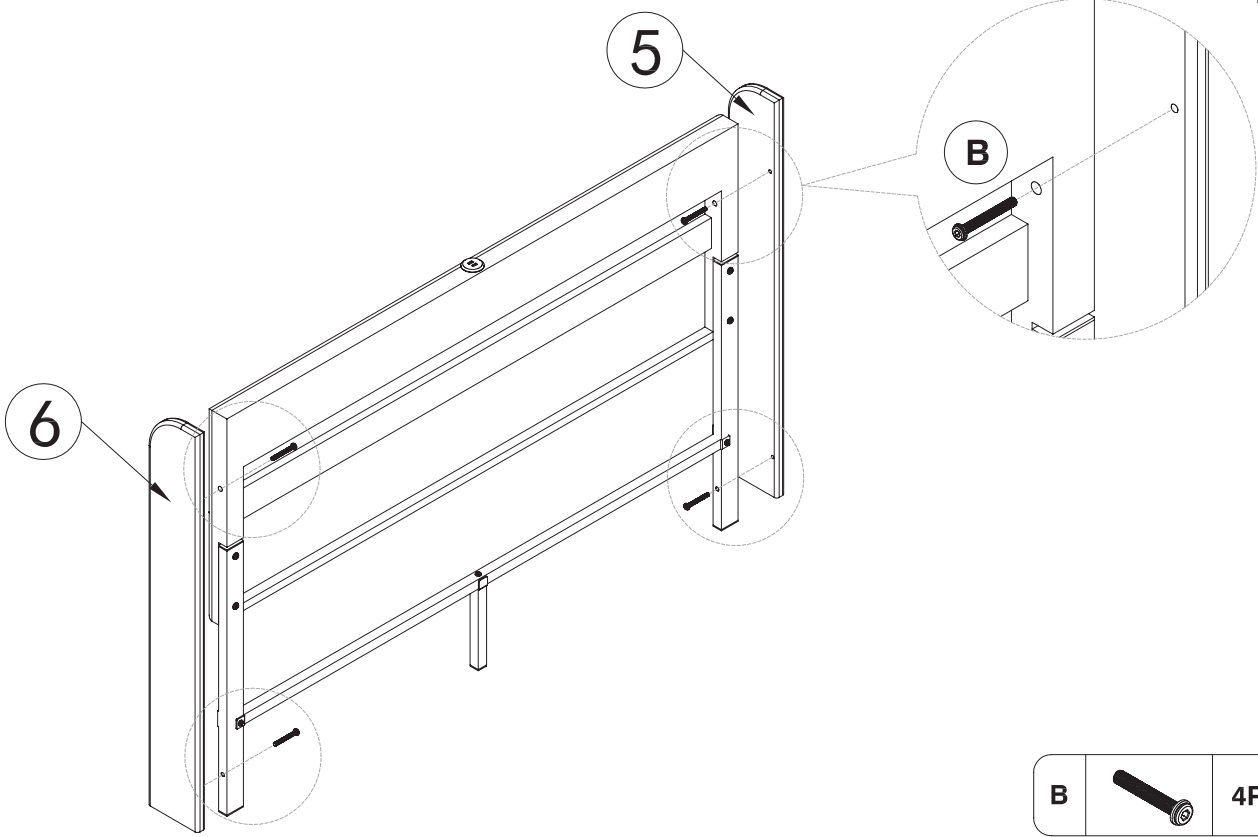


3



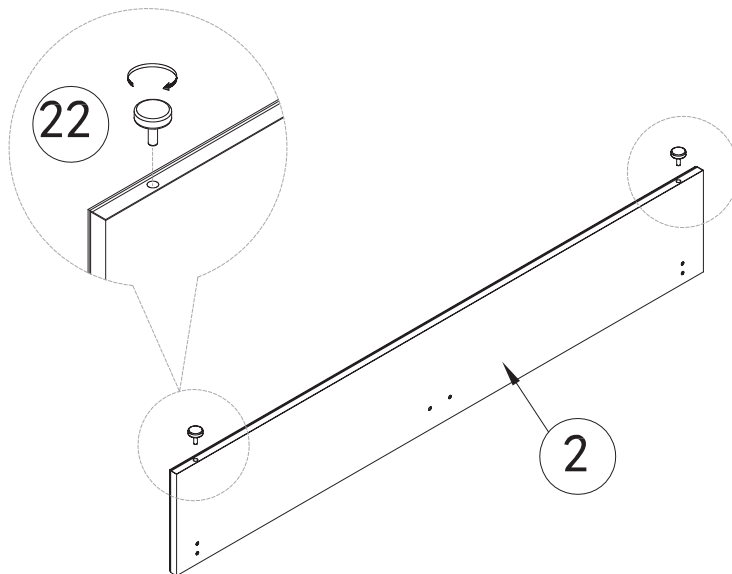
# ASSEMBLY INSTRUCTIONS

4



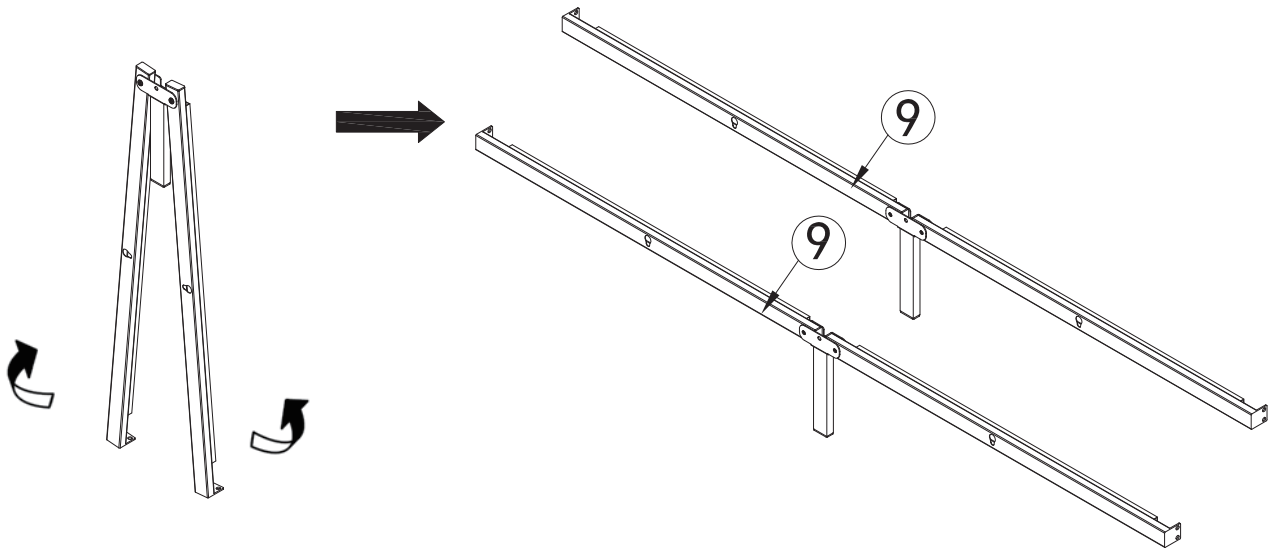
B 4PCS

5



22 2PCS

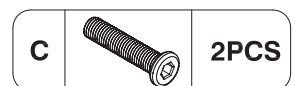
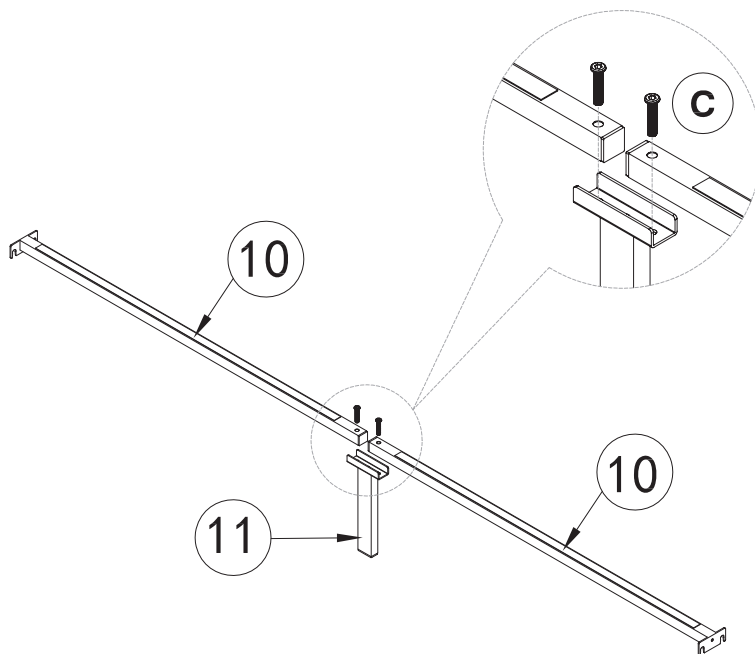
6



Open part ⑨

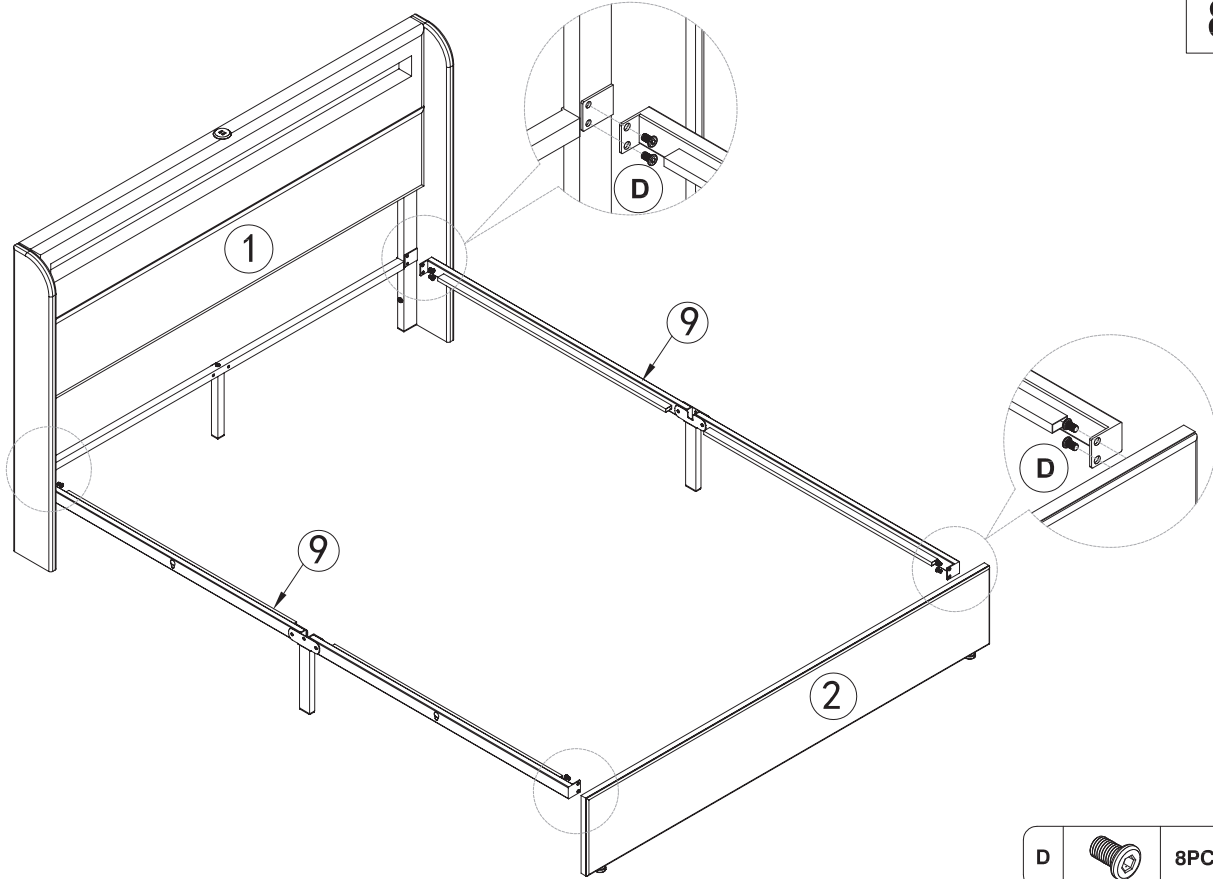
2PCS

7



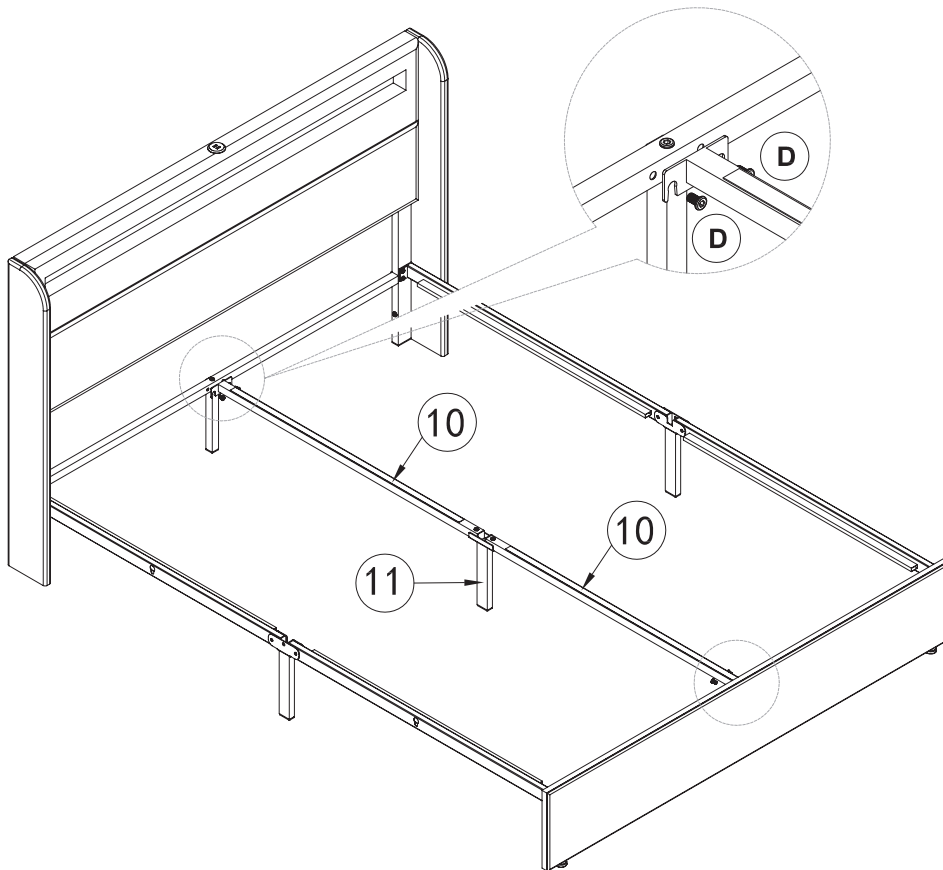
# ASSEMBLY INSTRUCTIONS

8



D  8PCS

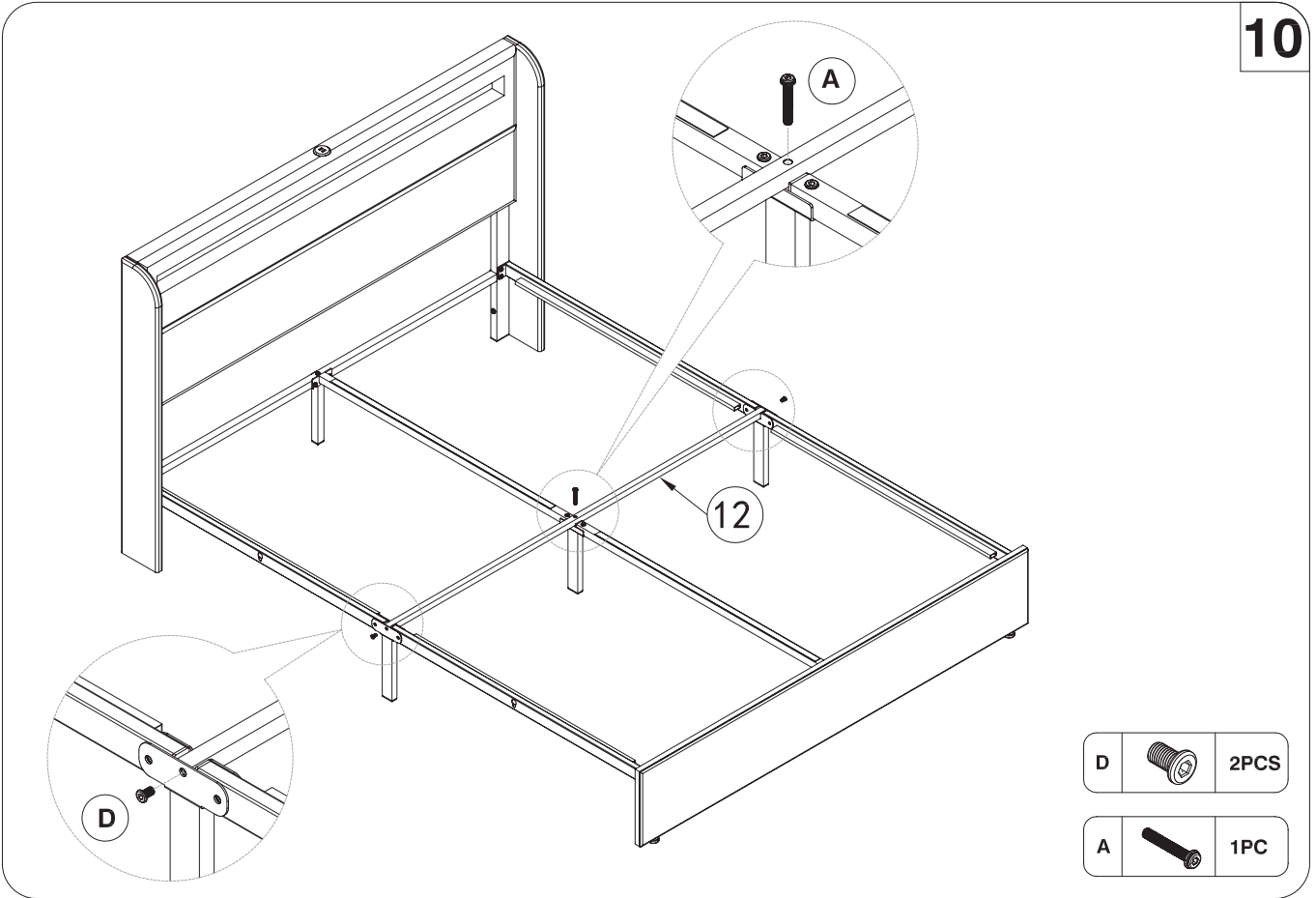
9



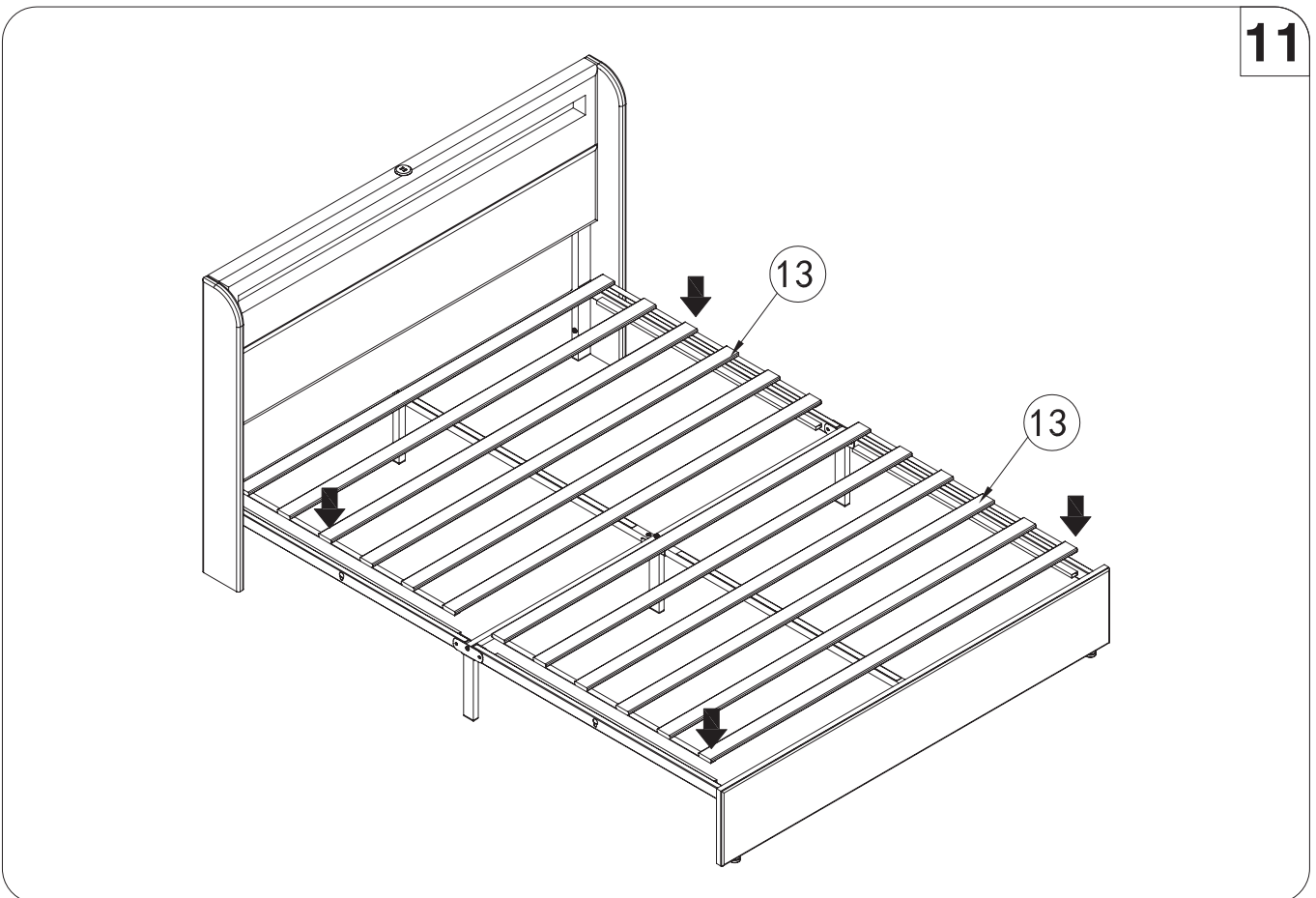
D  4PCS

# ASSEMBLY INSTRUCTIONS

10

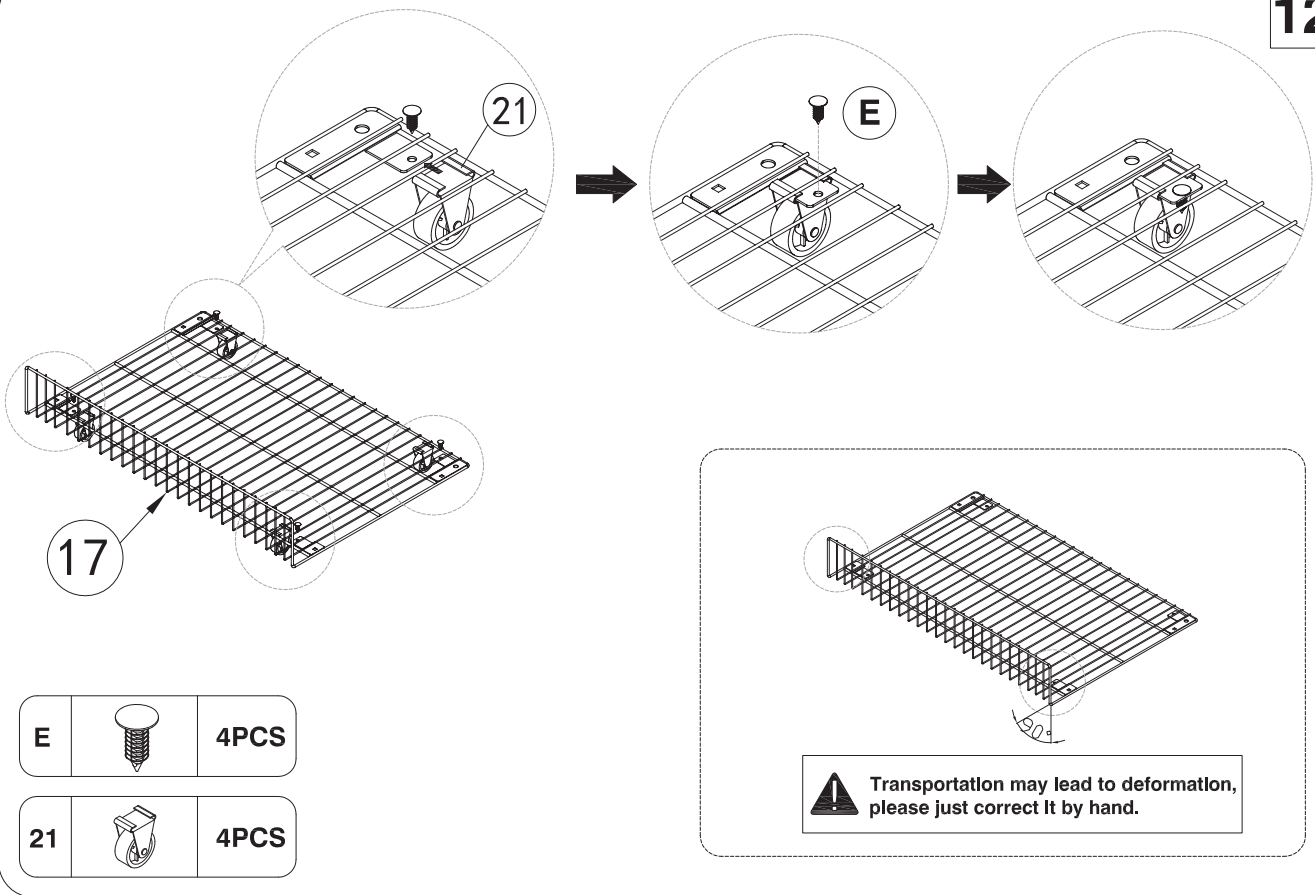


11

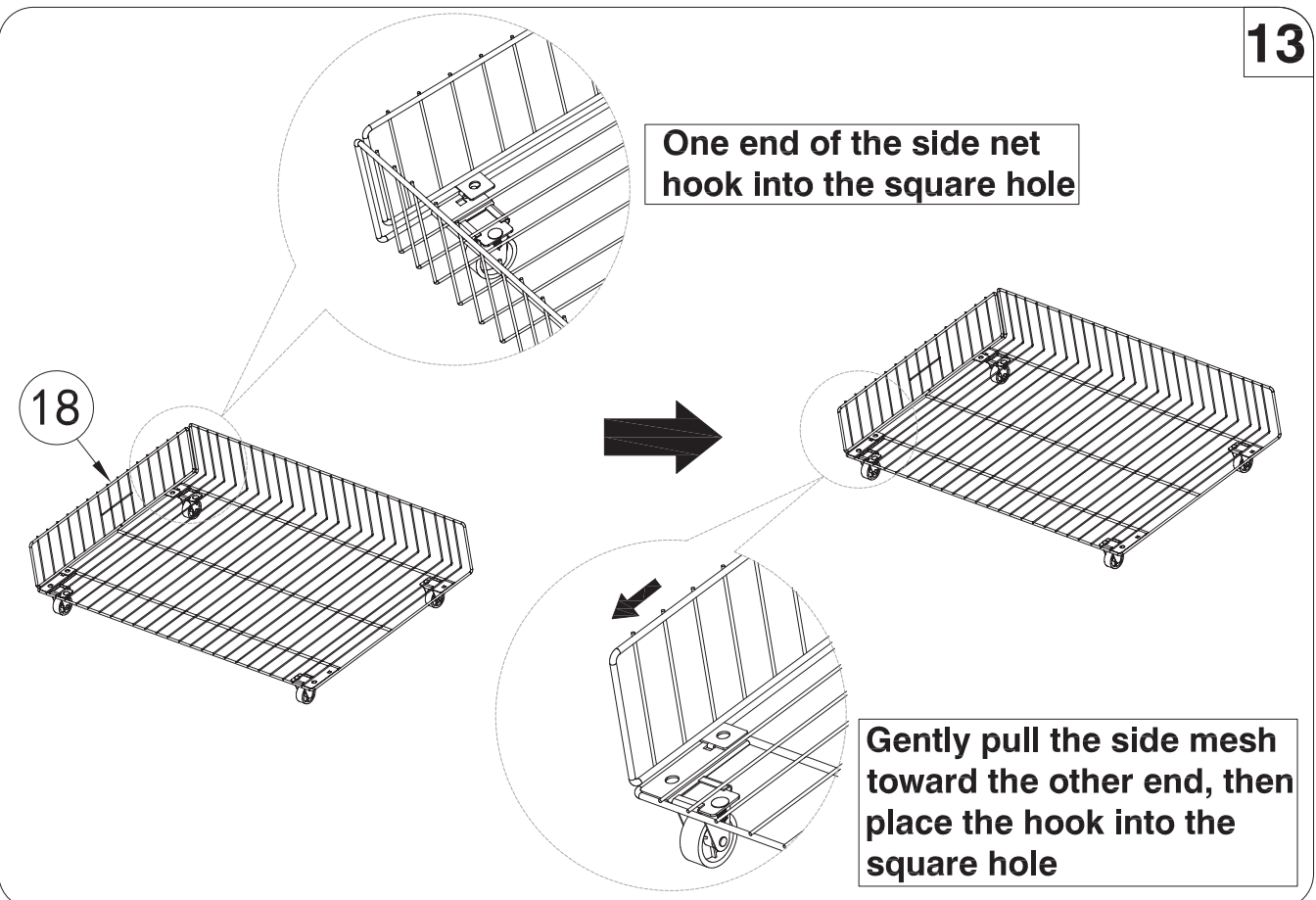


# ASSEMBLY INSTRUCTIONS

12

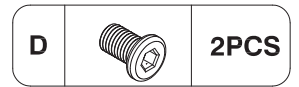
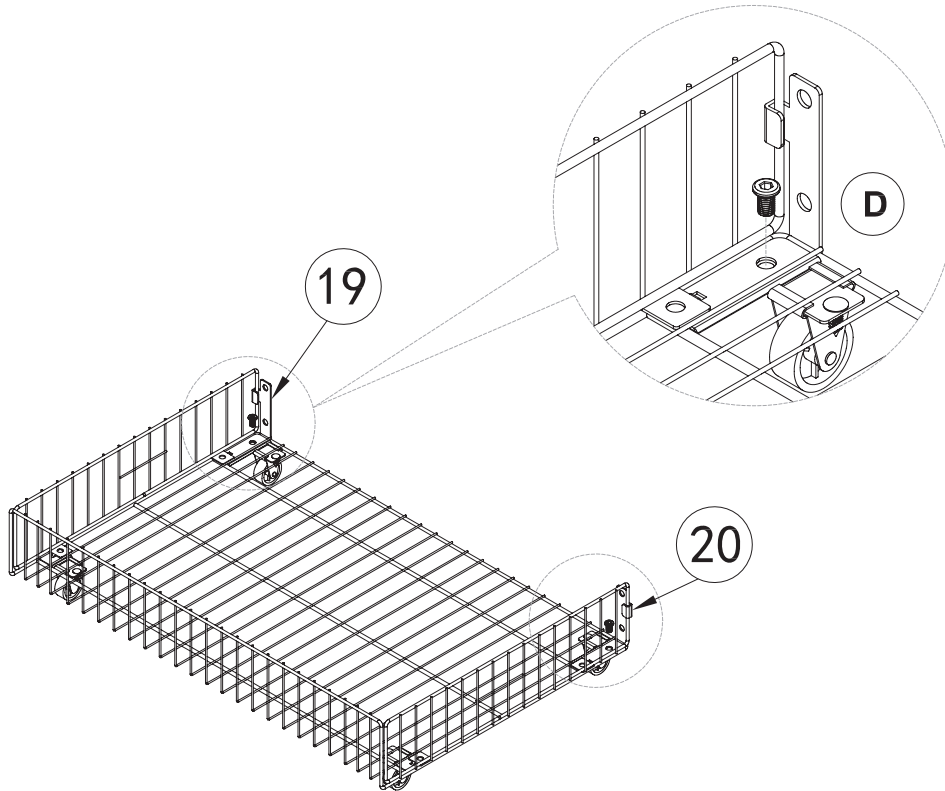


13

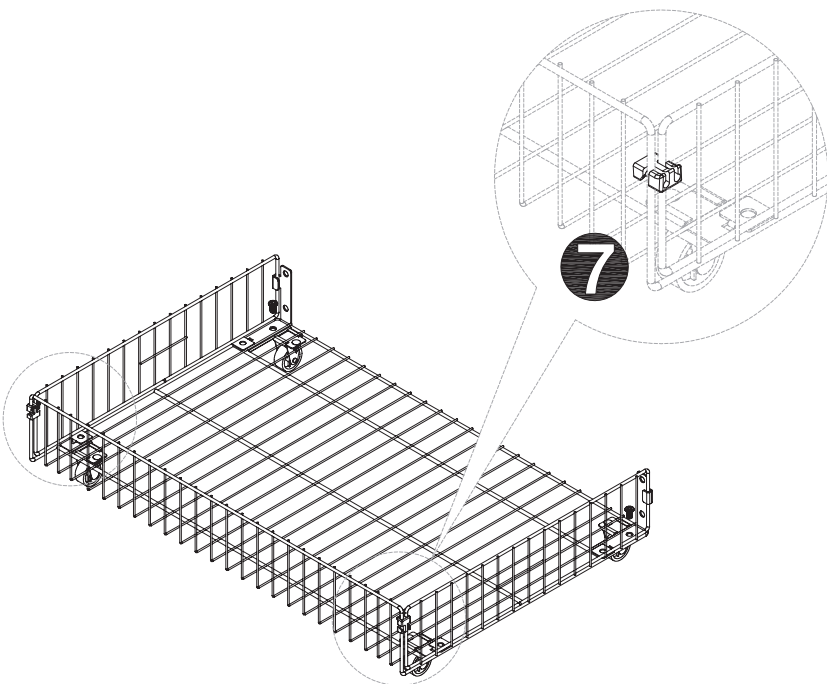


# ASSEMBLY INSTRUCTIONS

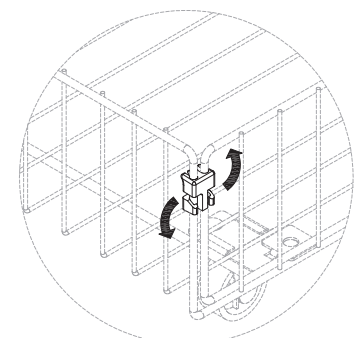
14



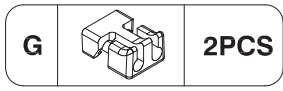
15



The plastic buckle is placed between the two wires as shown

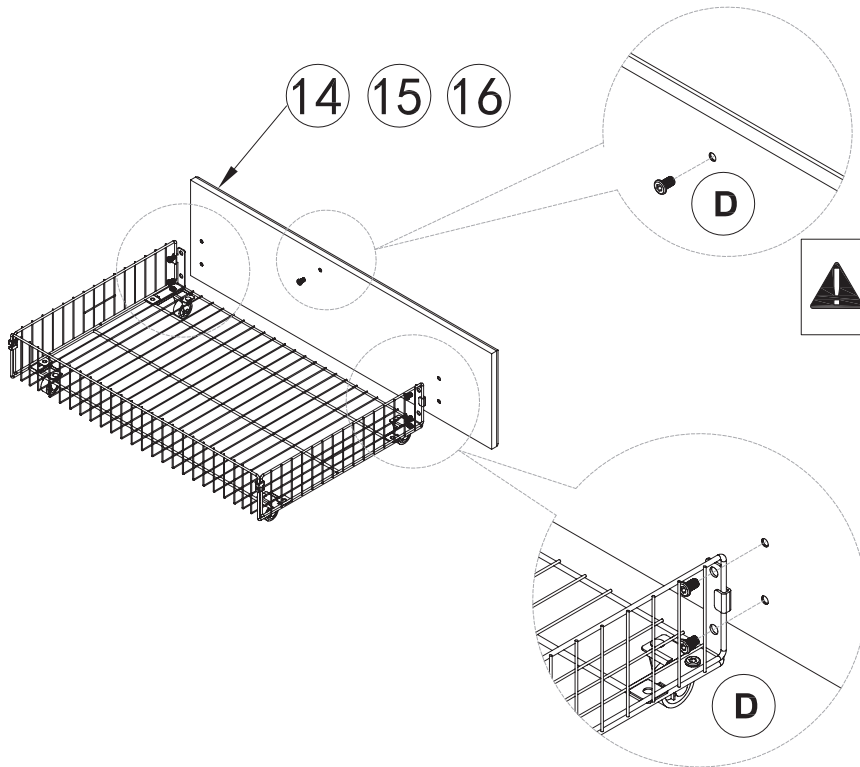


The plastic buckle rotates into the wires

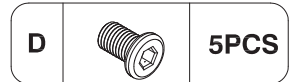


# ASSEMBLY INSTRUCTIONS

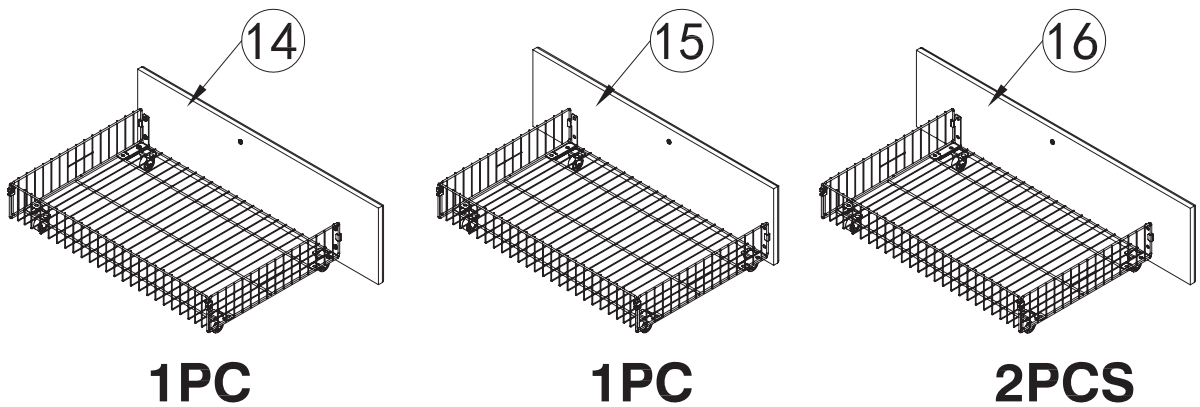
16



**⚠ Don't lock the screws, leave a gap**



17



1PC

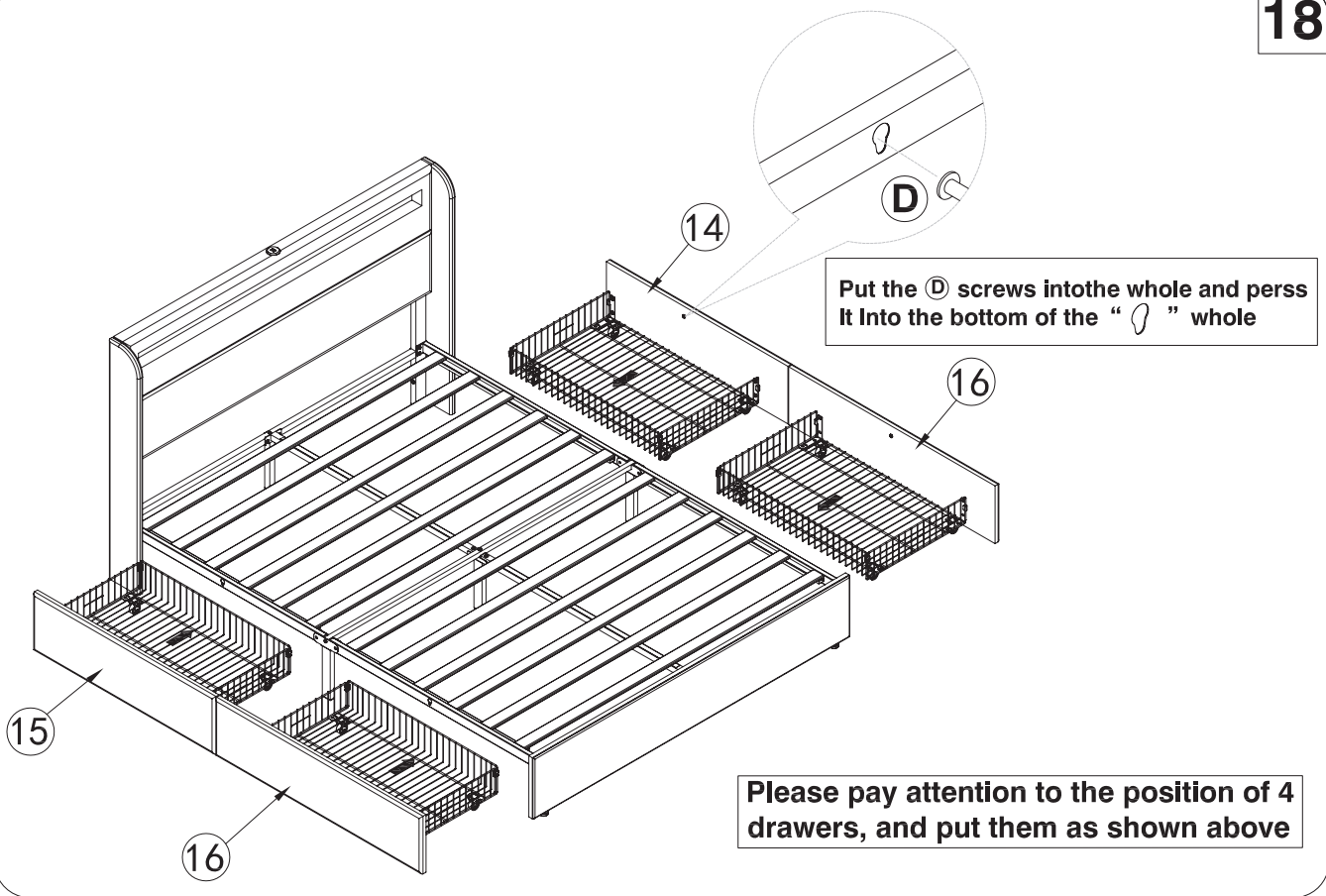
1PC

2PCS

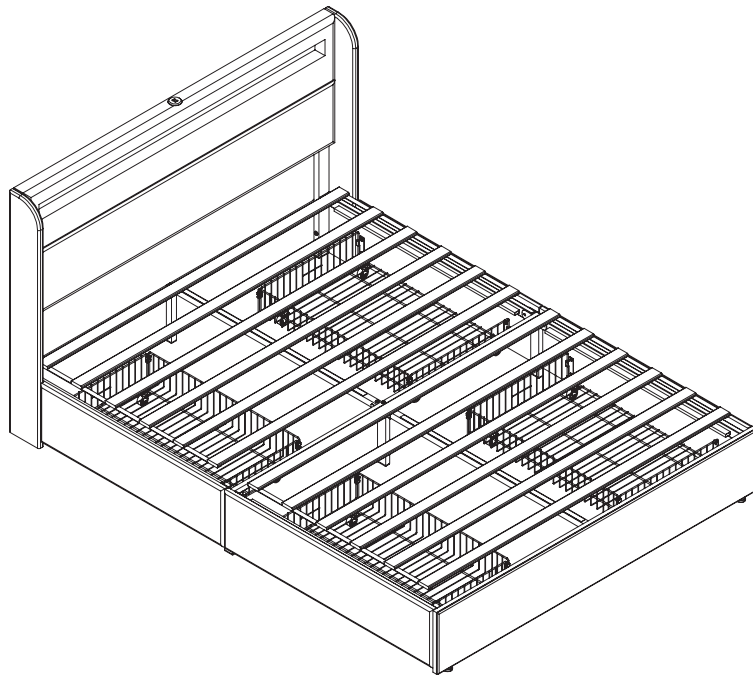
**Assemble the other three drawers in the way above. 4 drawers in total.**

# ASSEMBLY INSTRUCTIONS

18

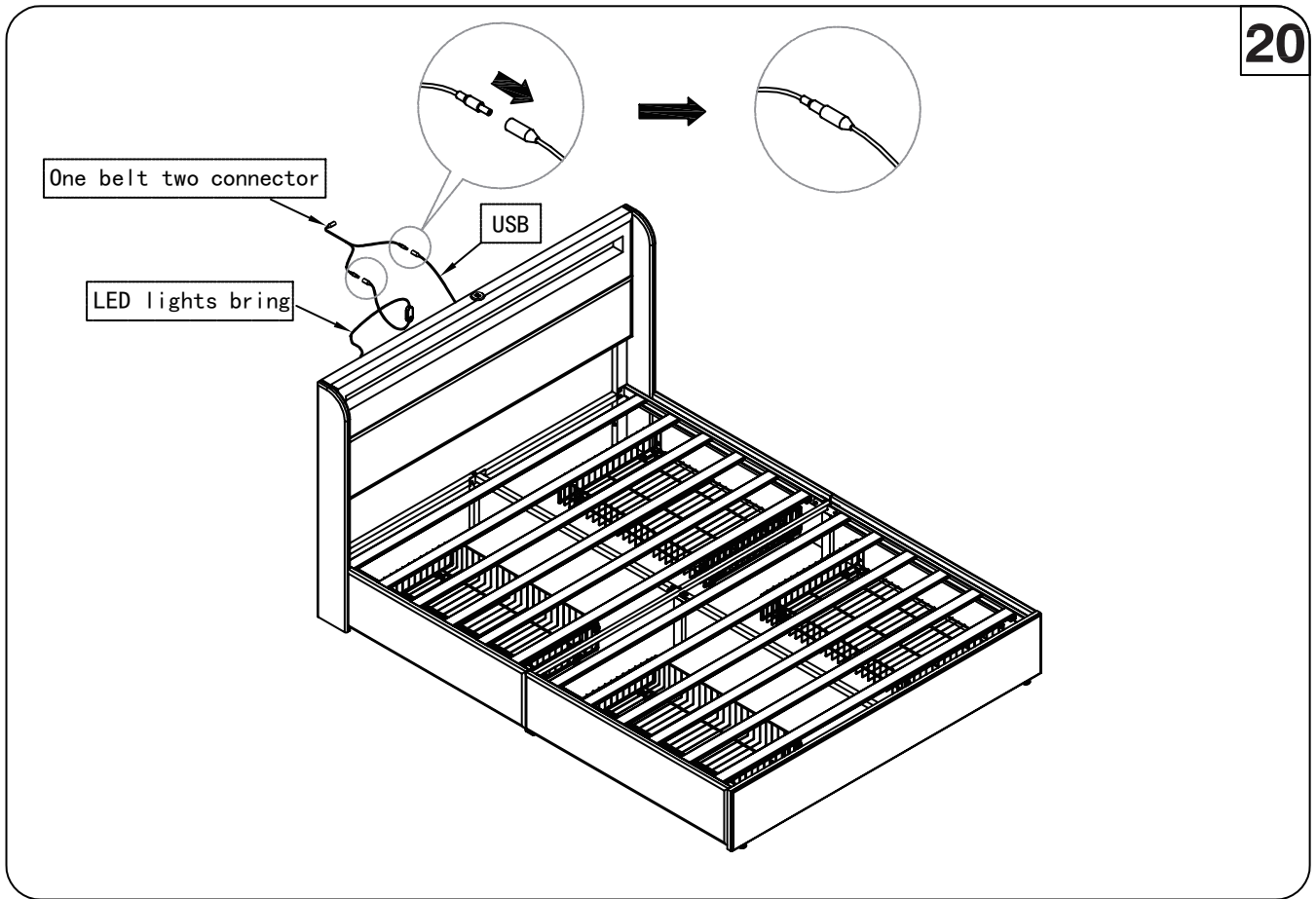


19



# ASSEMBLY INSTRUCTIONS

20



21

