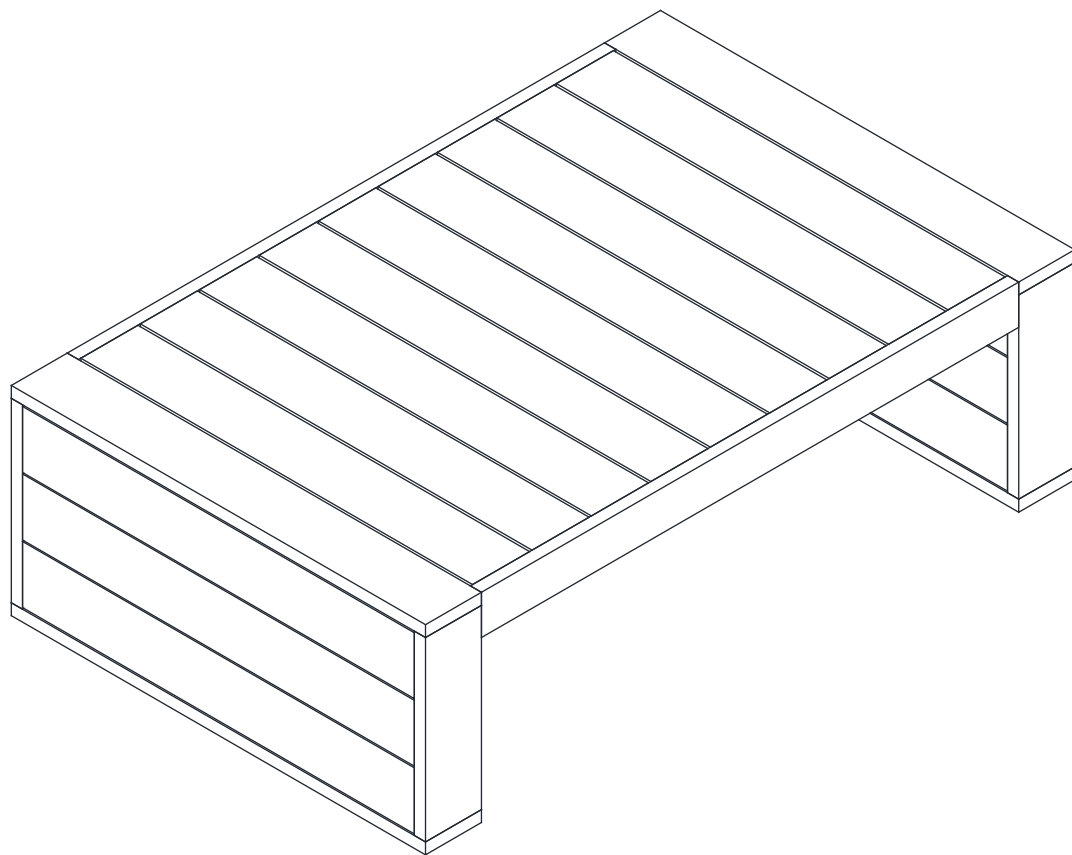


SANTIAGO EUCALYPTUS PATIO COFFEE TABLE

DESIGN # CPT1049

Assembly Instructions



SAFAVIEH
C O U T U R E

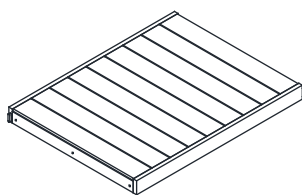
Thanks for bringing Safavieh Couture into your home

Everything We make is incredibly simple to set up, including your new dining chair. You won't need any additional tools.

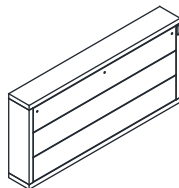
Parts & hardware

Parts & hardware

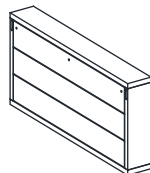
A x 1
Frame Top Table



B x 1
Frame Leg 1



C x 1
Frame Leg 2



HW1 x 6
Allen Bolt: M6x0.5x40 mm

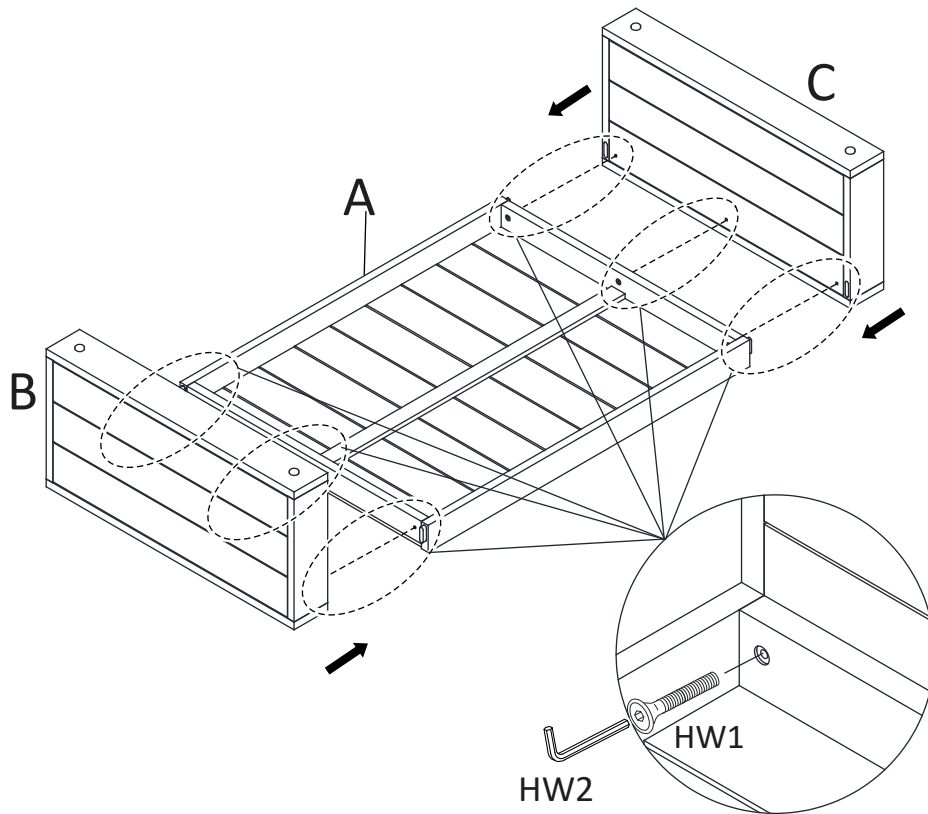
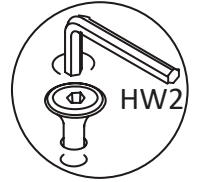


HW2 x 1
Allen key



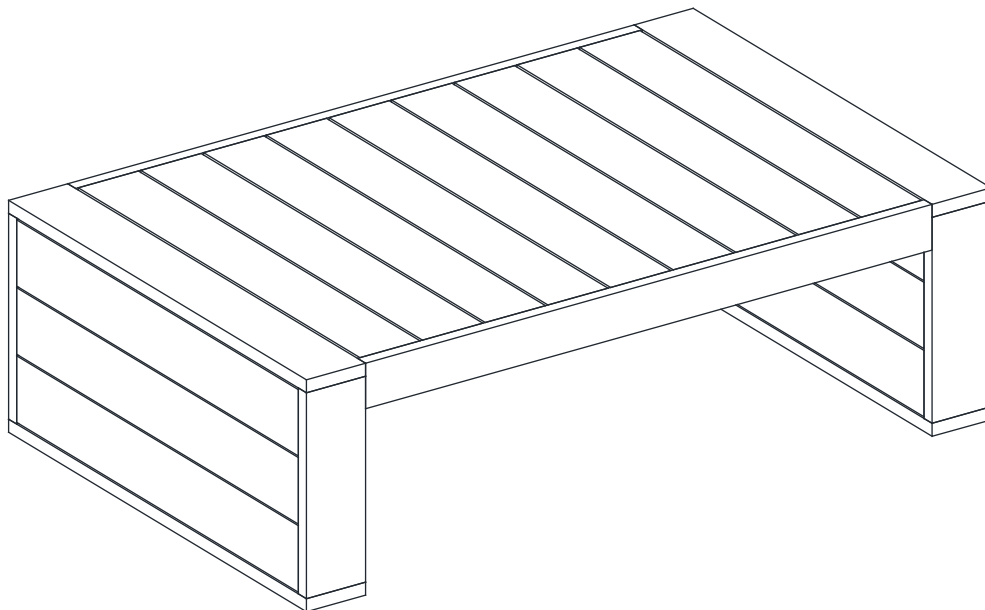
1

Attach Frame Leg 1 (B) and Frame Leg 2 (C) to Frame top table (A), use Bolts(HW1) tighten with Allen key (HW2) as shown above.



2

Caution: This SideTable can only be used on a flat, level surface



Need help?

Feel free to contact us via email or call
If you have any specific question!

Contact us:

CS@safavieh.com
866-422-9070