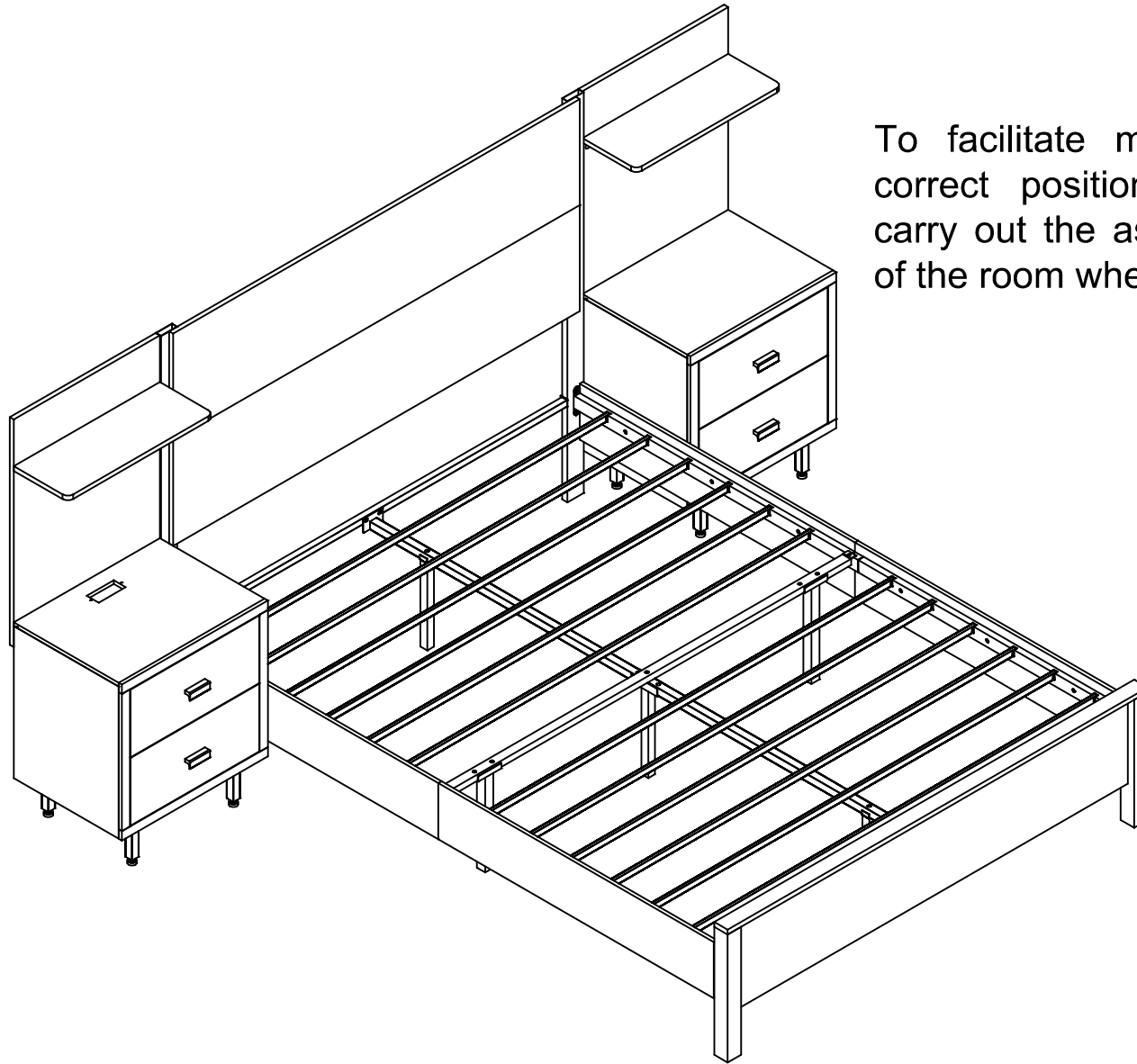
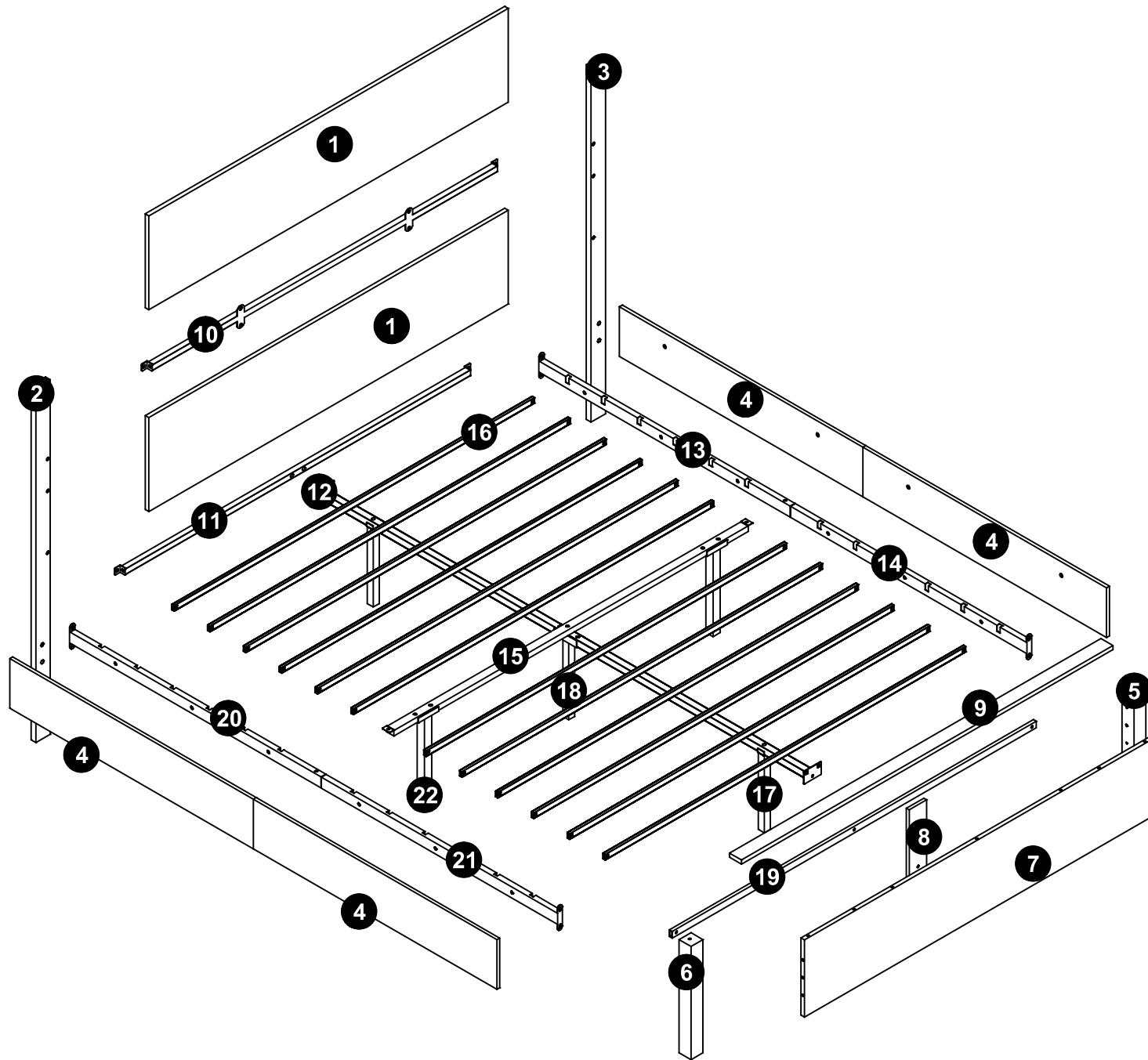


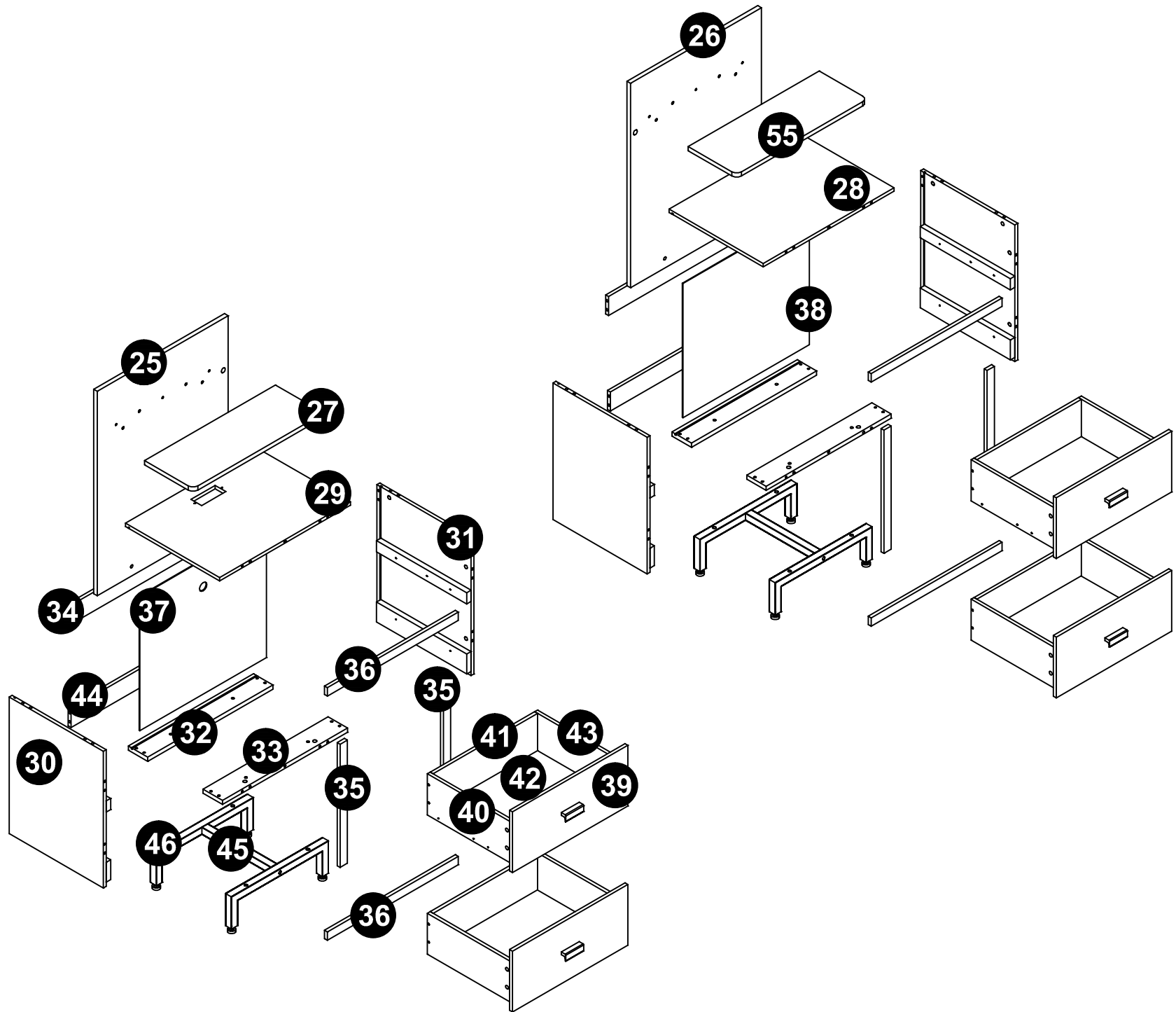
# Assembly Instruction



To facilitate moving this product to the correct position after installation, please carry out the assembly steps near the wall of the room where the product will be used.

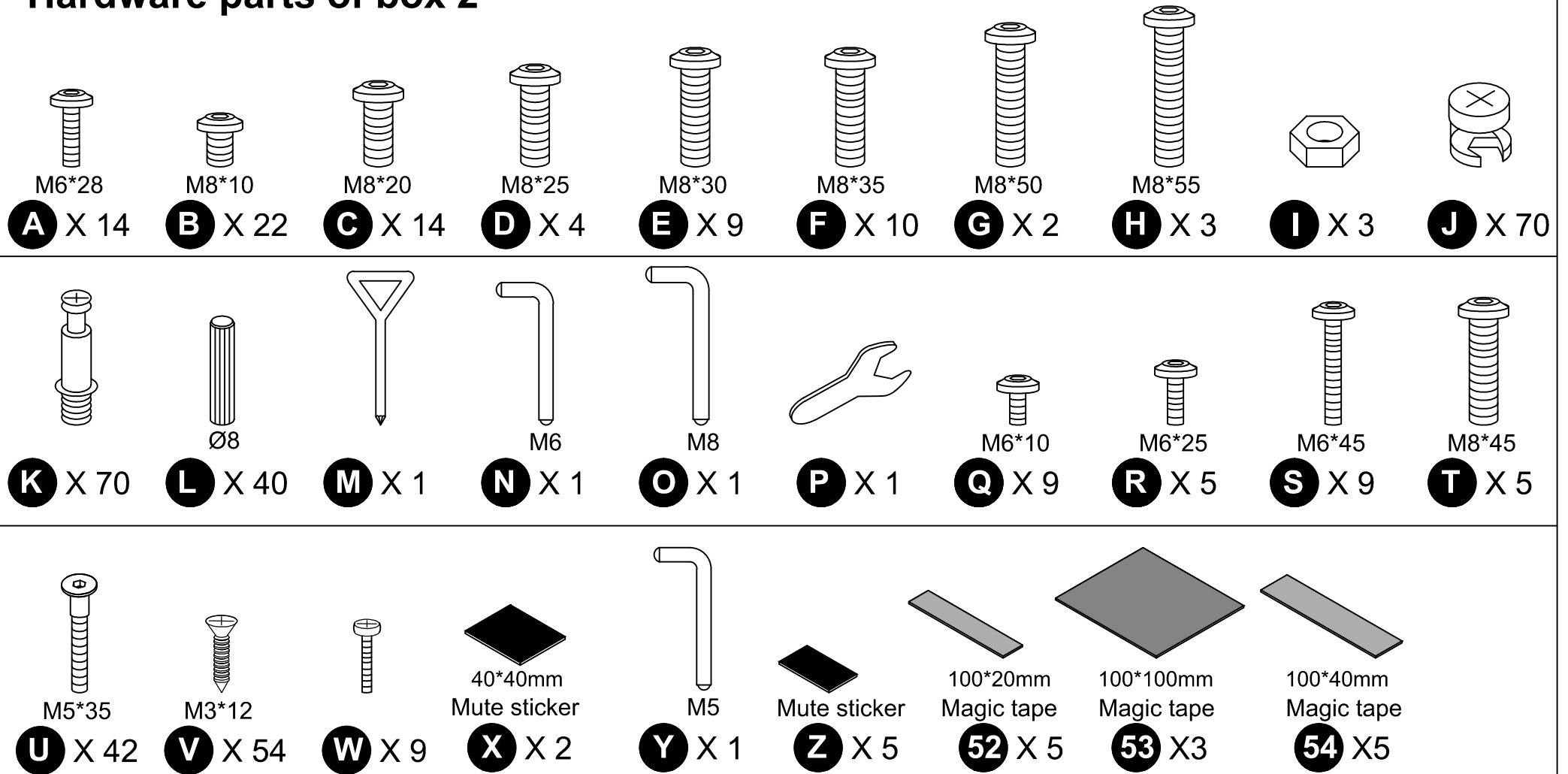
BPB-010 Q/F



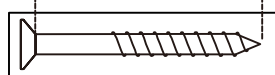


# Assembly Instruction

## Hardware parts of box 2



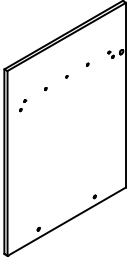
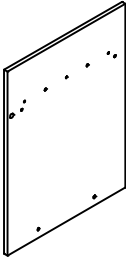
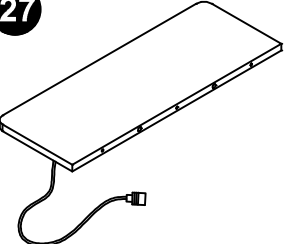
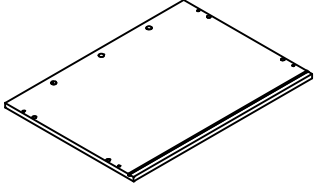
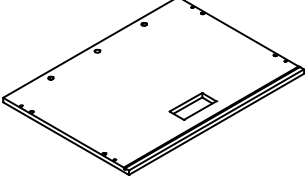
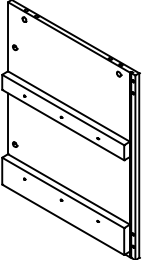
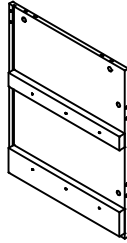
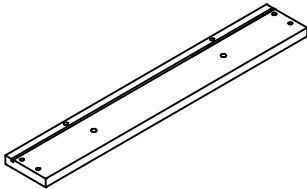
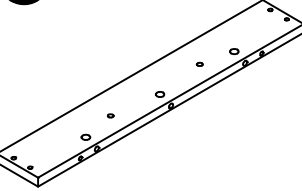
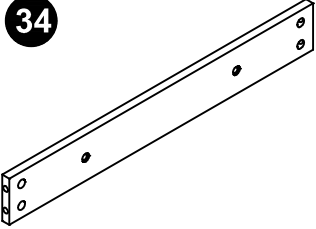

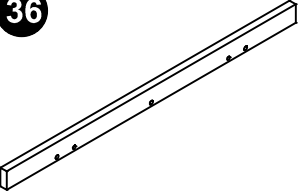
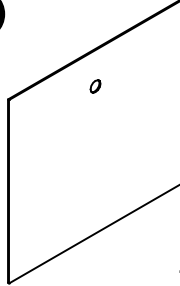
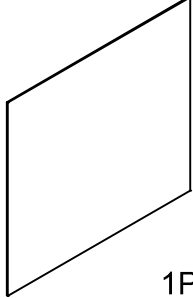
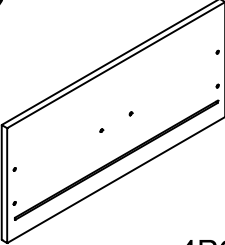
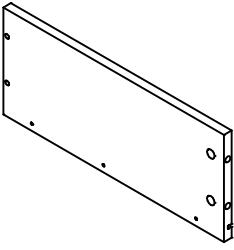
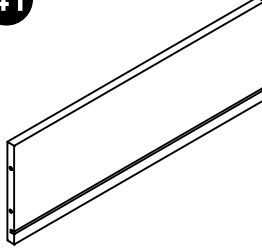
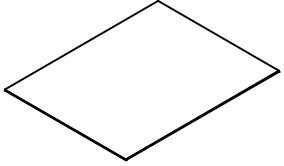
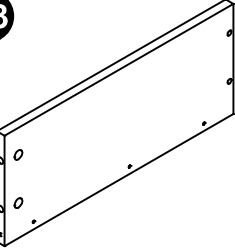
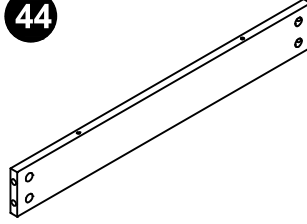
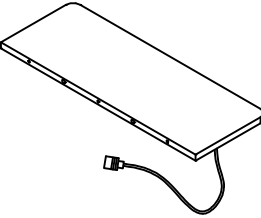
Ruler-Use this ruler to help correctly identify the screws.



The length of the screw is measured from the rod part excluding the screw cap (30mm screw shown).

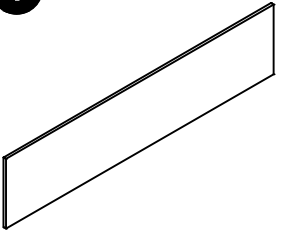


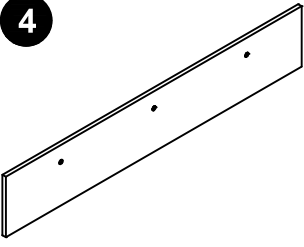


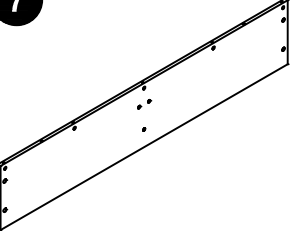
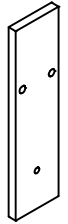
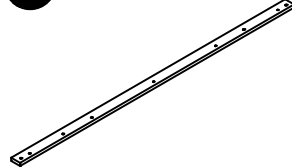
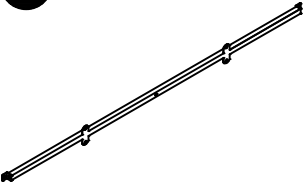
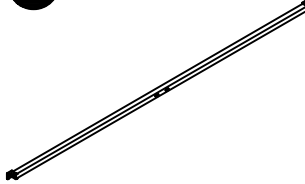
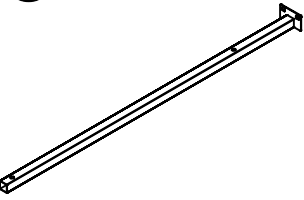
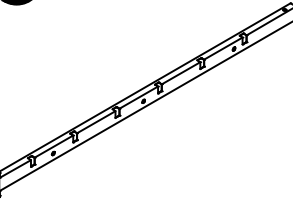
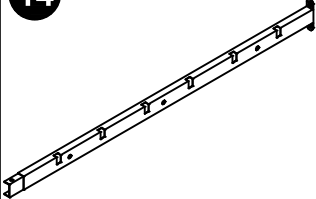
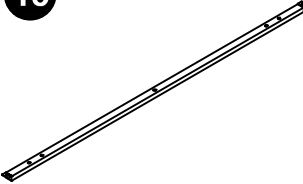
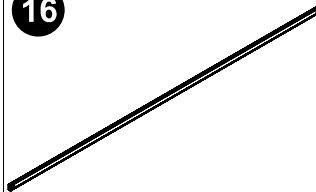
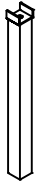
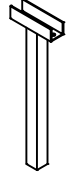
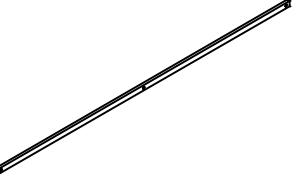
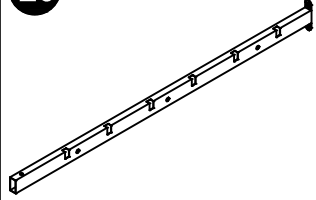
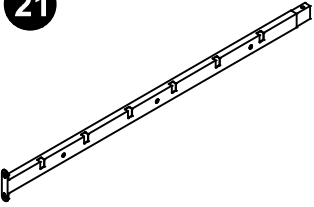
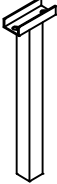
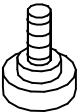
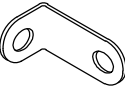
# Assembly Instruction

## The box 1

 <p>25</p> <p>1PC</p>	 <p>26</p> <p>1PC</p>	 <p>27</p> <p>1PC</p>	 <p>28</p> <p>1PC</p>	 <p>29</p> <p>1PC</p>	 <p>30</p> <p>2PCS</p>
 <p>31</p> <p>2PCS</p>	 <p>32</p> <p>2PCS</p>	 <p>33</p> <p>2PCS</p>	 <p>34</p> <p>2PCS</p>	 <p>35</p> <p>4PCS</p>	 <p>36</p> <p>4PCS</p>
 <p>37</p> <p>1PC</p>	 <p>38</p> <p>1PC</p>	 <p>39</p> <p>4PCS</p>	 <p>40</p> <p>4PCS</p>	 <p>41</p> <p>4PCS</p>	 <p>42</p> <p>4PCS</p>
 <p>43</p> <p>4PCS</p>	 <p>44</p> <p>2PCS</p>	 <p>55</p> <p>1PC</p>			

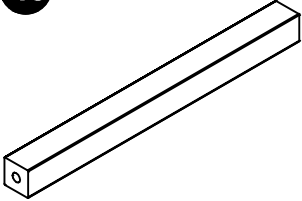
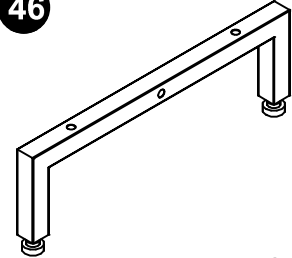
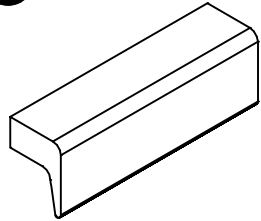
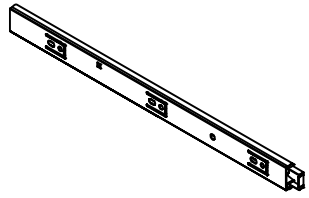
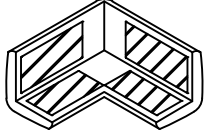
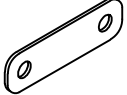
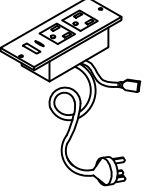
# Assembly Instruction

## The box 2

<b>1</b>  2PCS	<b>2</b>  1PC	<b>3</b>  1PC	<b>4</b>  4PCS	<b>5</b>  1PC	<b>6</b>  1PC
<b>7</b>  1PC	<b>8</b>  1PC	<b>9</b>  1PC	<b>10</b>  1PC	<b>11</b>  1PC	<b>12</b>  2PCS
<b>13</b>  1PC	<b>14</b>  1PC	<b>15</b>  1PC	<b>16</b>  12PCS	<b>17</b>  2PCS	<b>18</b>  1PC
<b>19</b>  1PC	<b>20</b>  1PC	<b>21</b>  1PC	<b>22</b>  2PCS	<b>23</b>  3PCS	<b>24</b>  4PCS

# Assembly Instruction

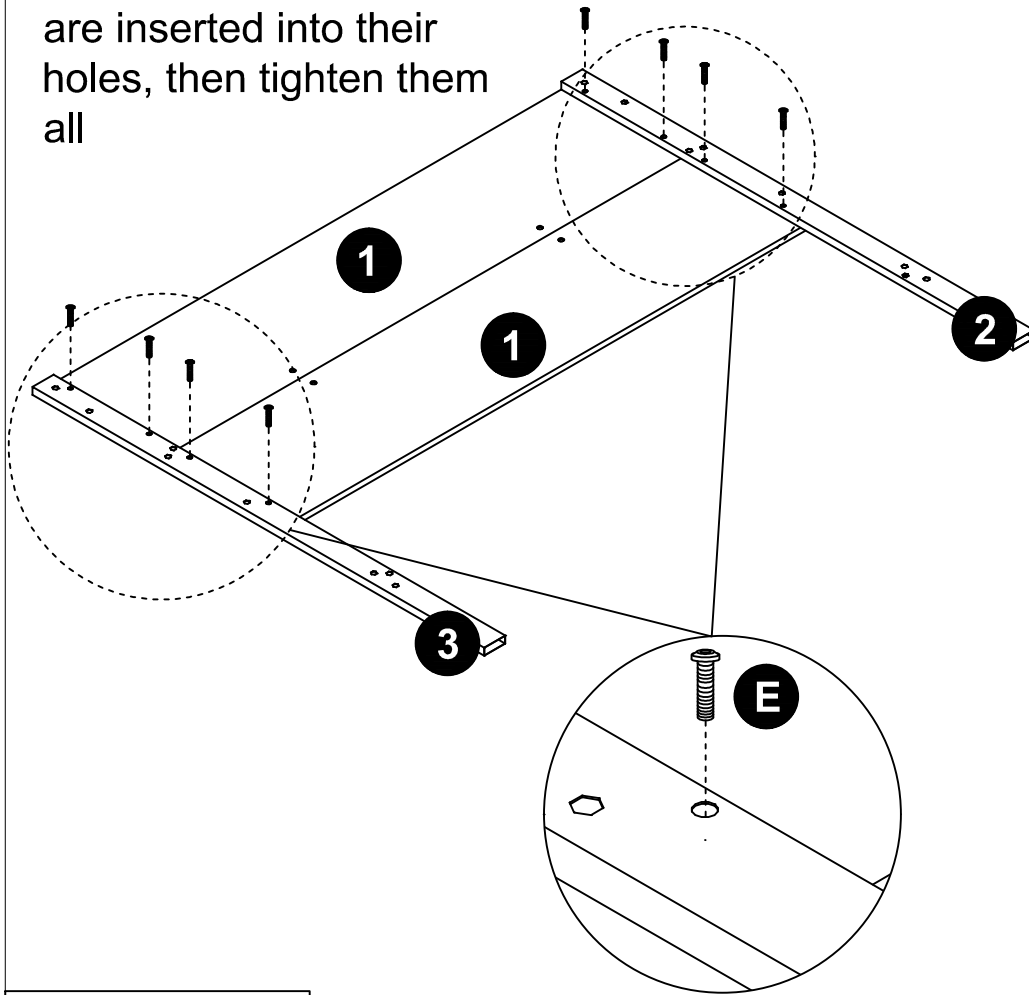
## The box 2

<p><b>45</b></p>  <p>2PCS</p>	<p><b>46</b></p>  <p>4PCS</p>	<p><b>47</b></p>  <p>4PCS</p>	<p><b>48</b></p>  <p>8PCS</p>	<p><b>49</b></p>  <p>6PCS</p>	<p><b>50</b></p>  <p>6PCS</p>
<p><b>51</b></p>  <p>1PC</p>					

# Assembly Instruction

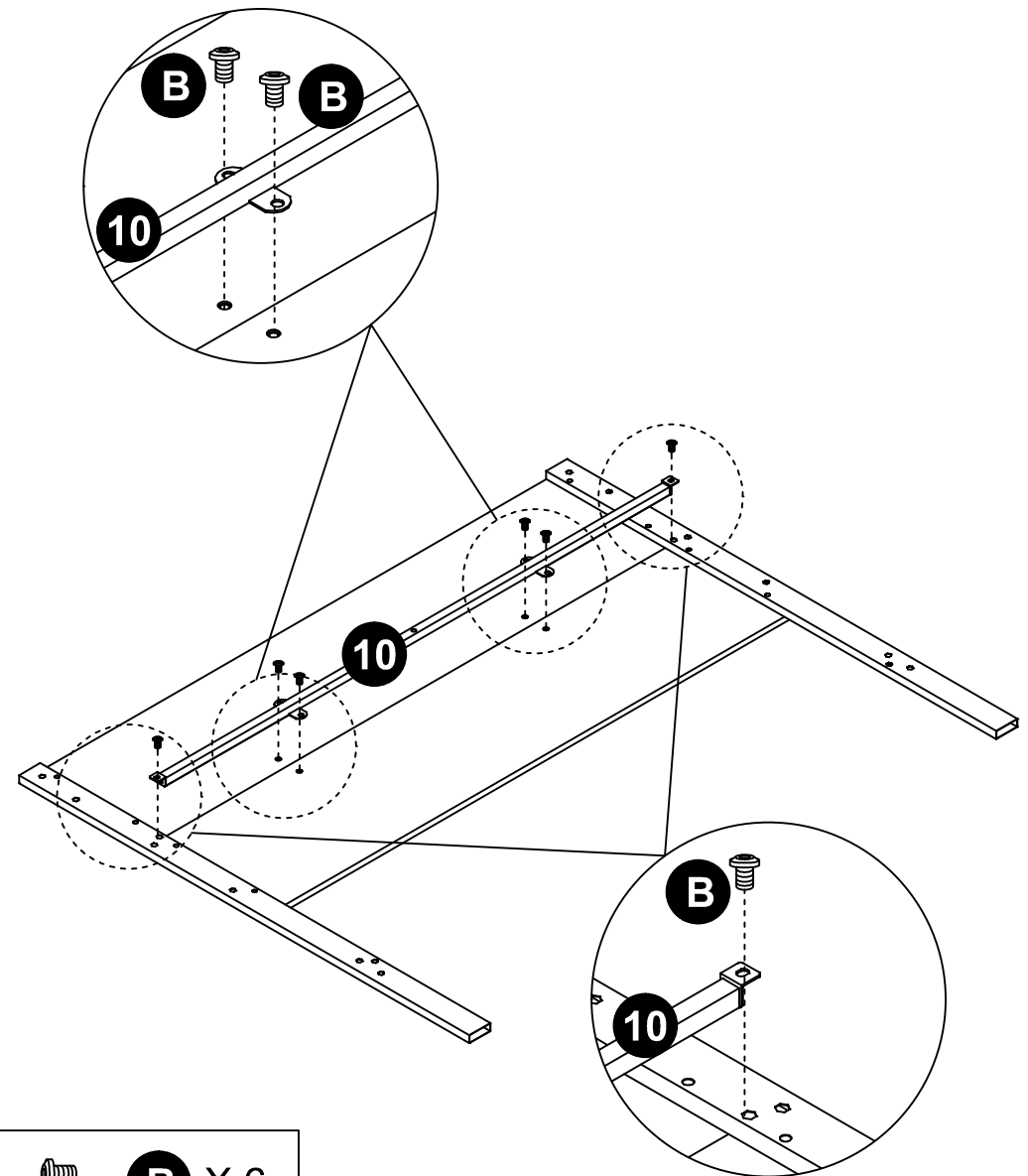
## step 1

Do not fully tighten the screws at the beginning. Wait until all the screws are inserted into their holes, then tighten them all



 **E** X 8  
M8\*30

## step 2

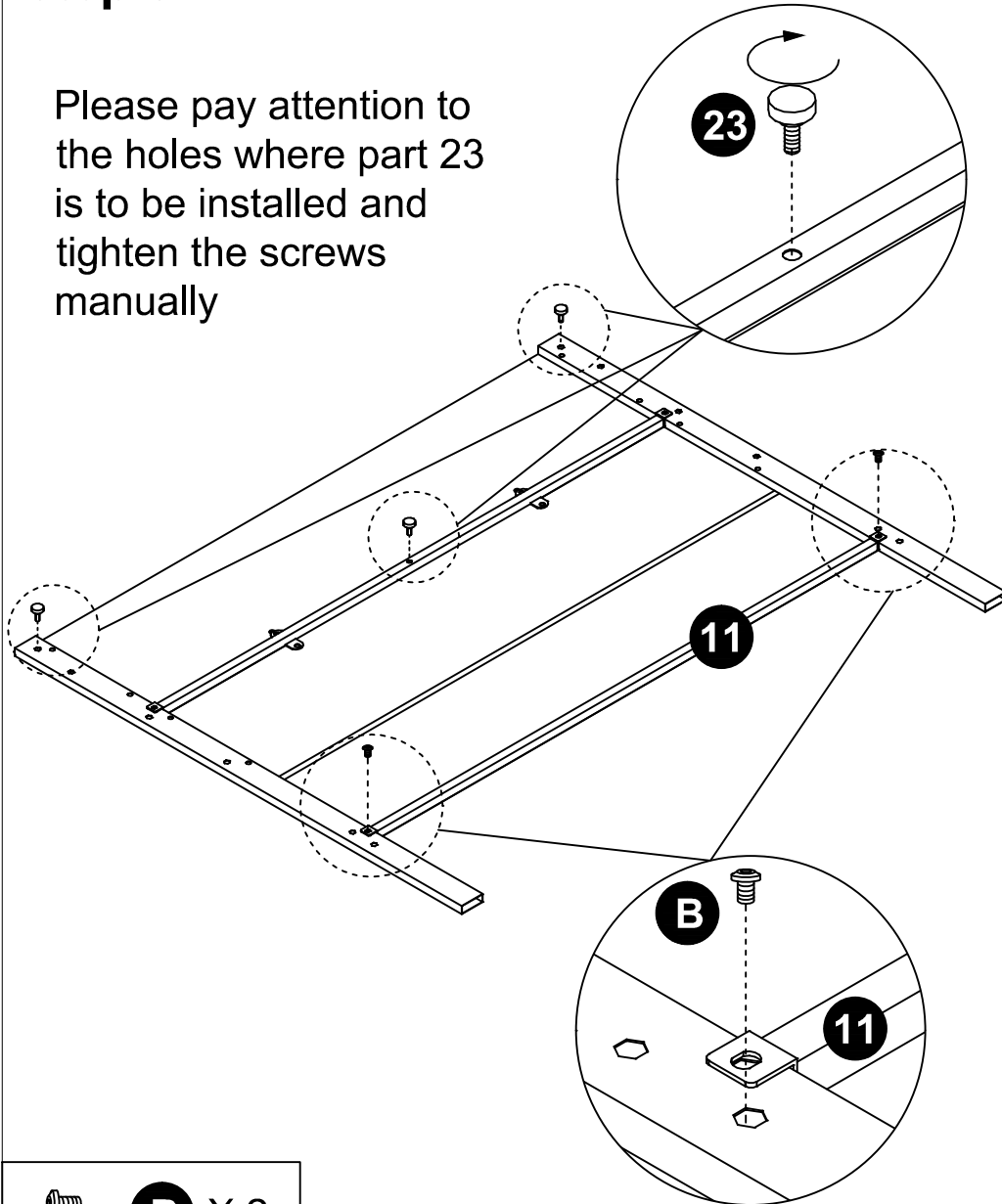


 **B** X 6  
M8\*10

# Assembly Instruction

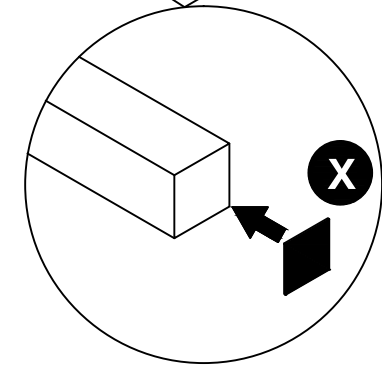
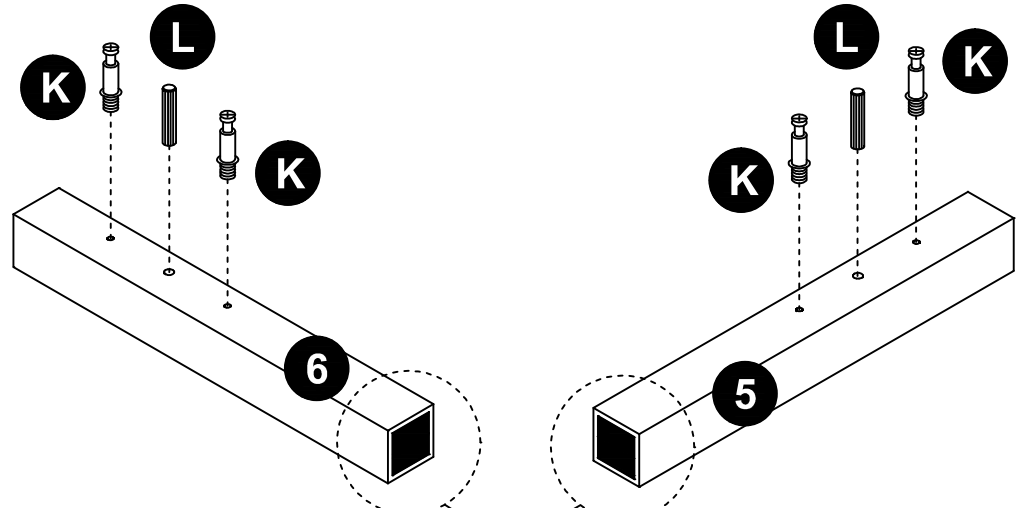
## step 3


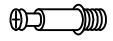

Please pay attention to the holes where part 23 is to be installed and tighten the screws manually



 **B** X 2  
M8\*10

## step 4

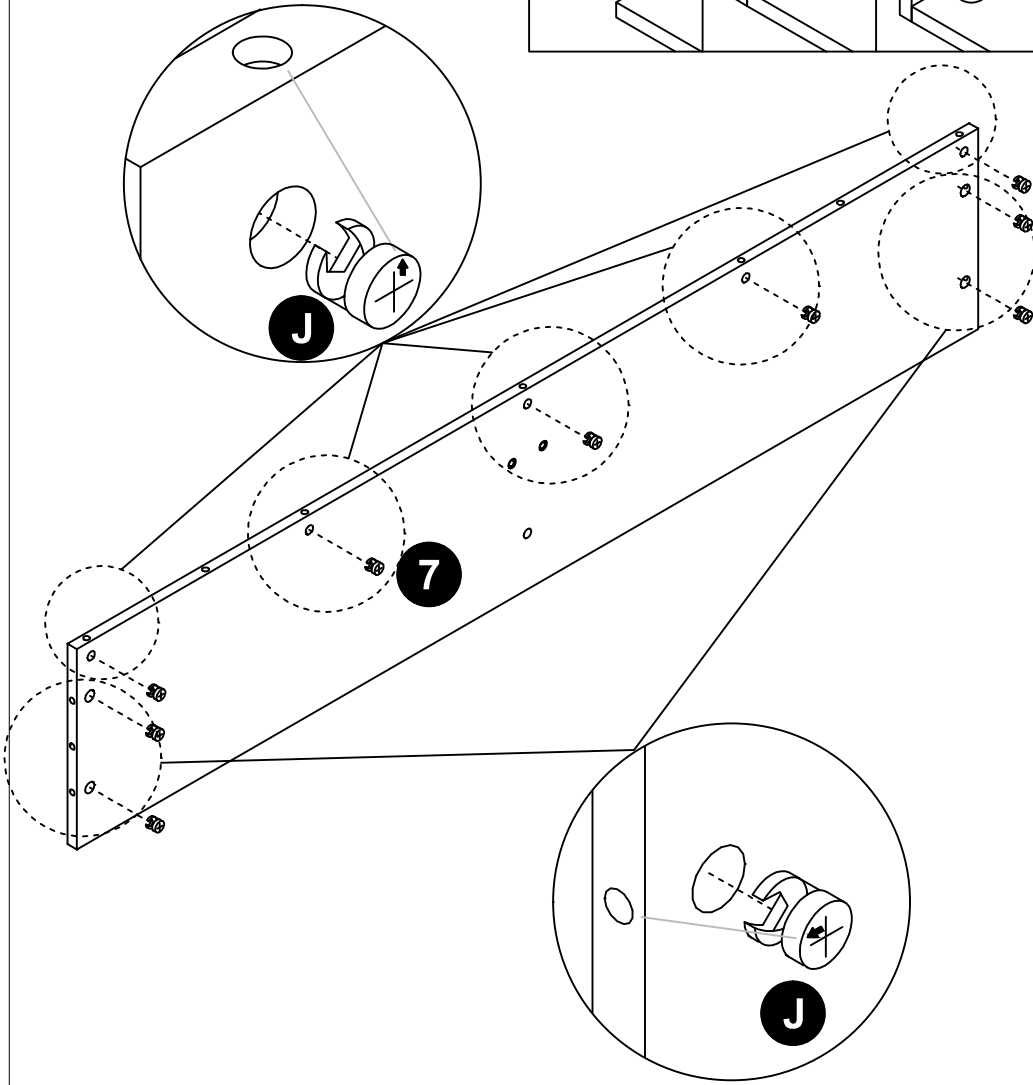
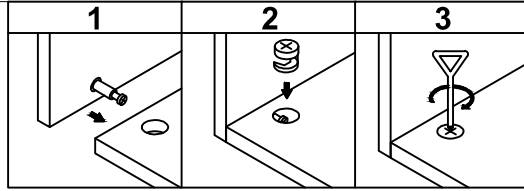


-  **X** X 2  
40\*40mm  
Mute sticker
-  **K** X 4
-  **L** X 2  
Ø8

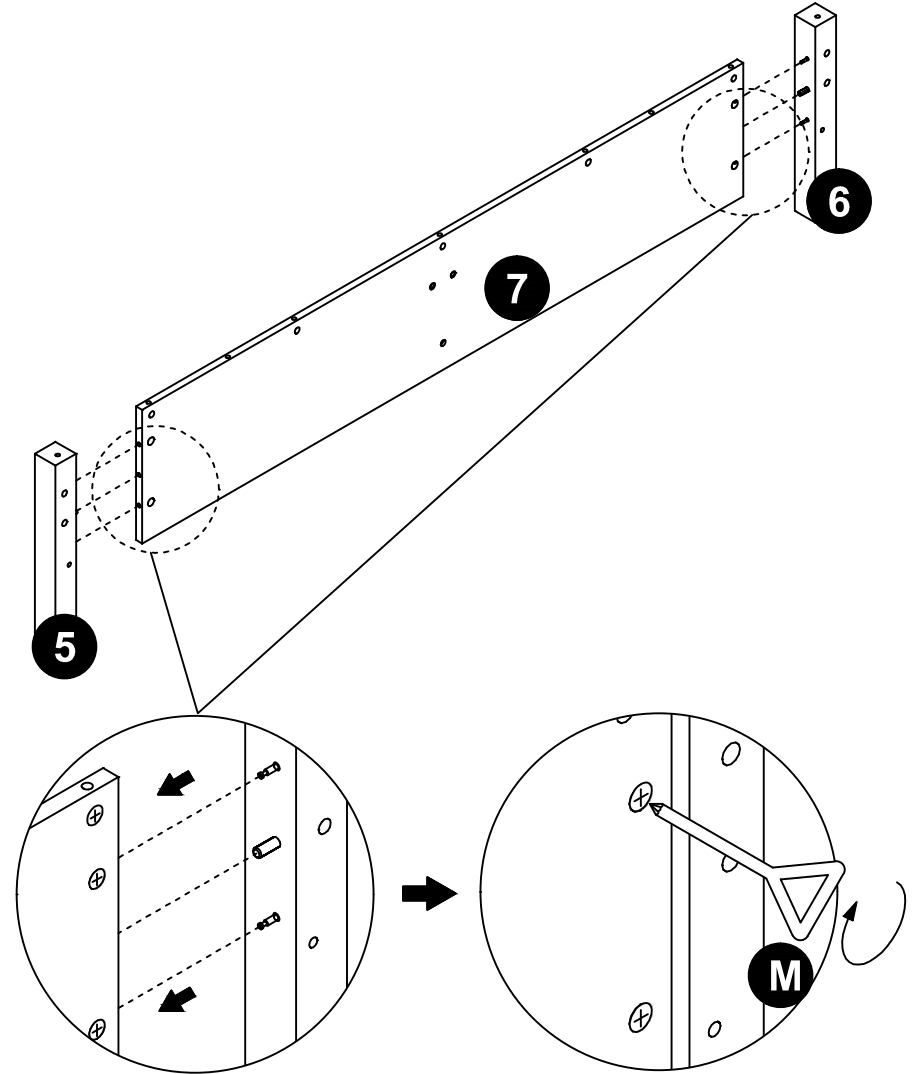
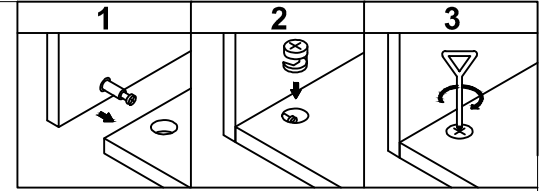
Pay attention to the orientation of parts 5 and 6, and then attach part X to the bottom of parts 5 and 6

# Assembly Instruction

step 5



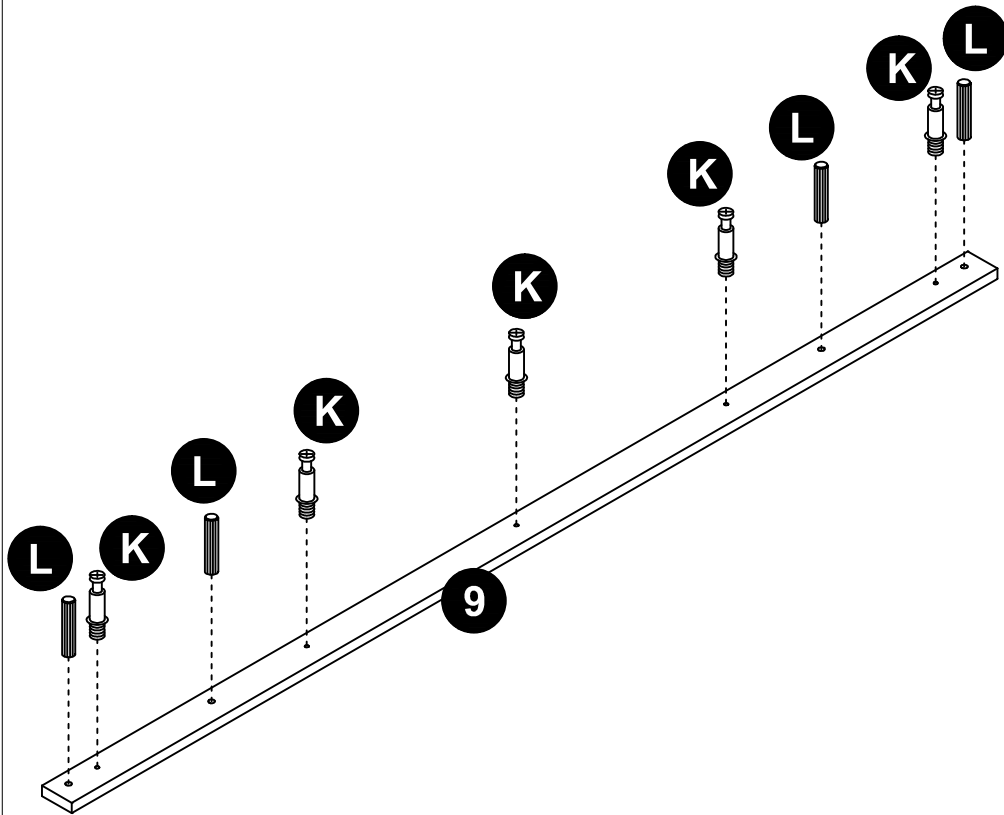
step 6



 **J** X 9

# Assembly Instruction

## step 7

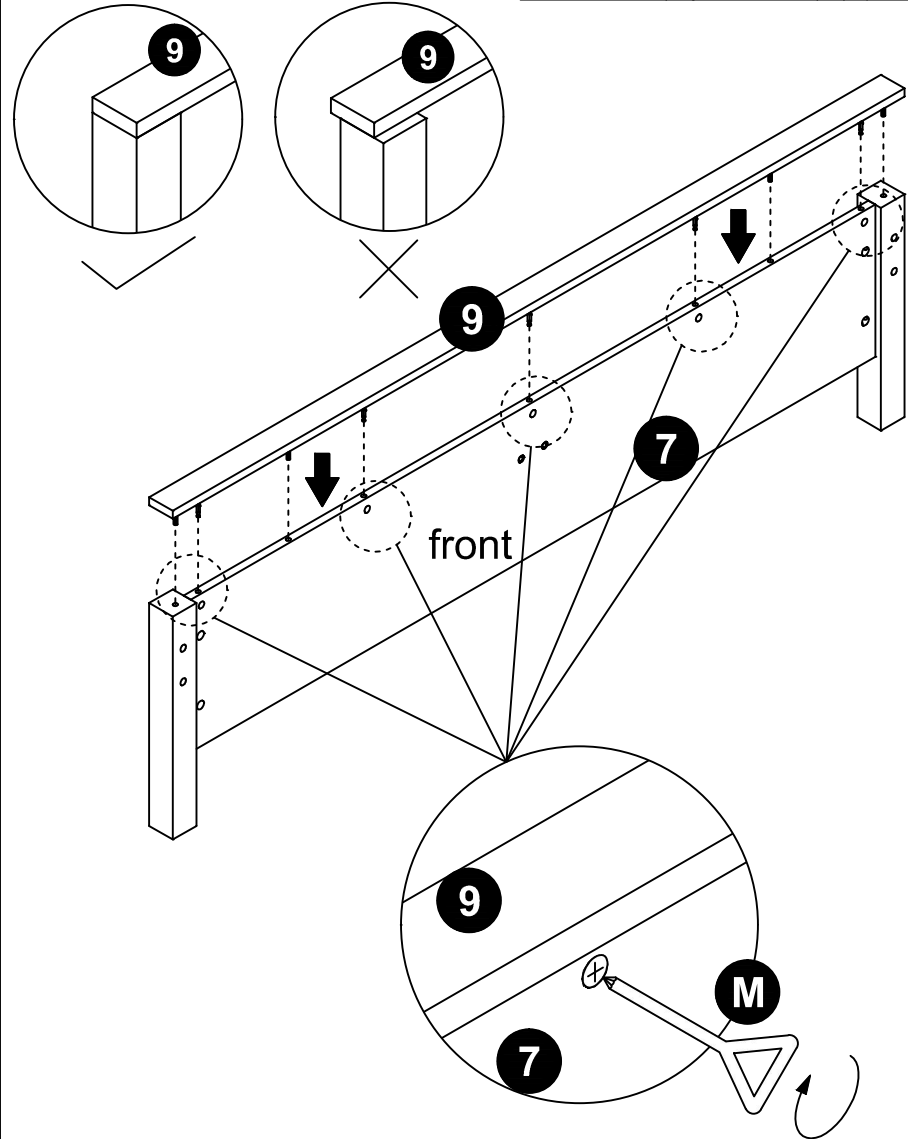
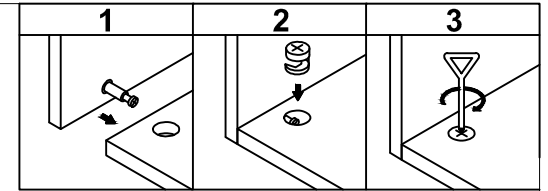


 **K** X 5

 **L** X 4  
Ø8

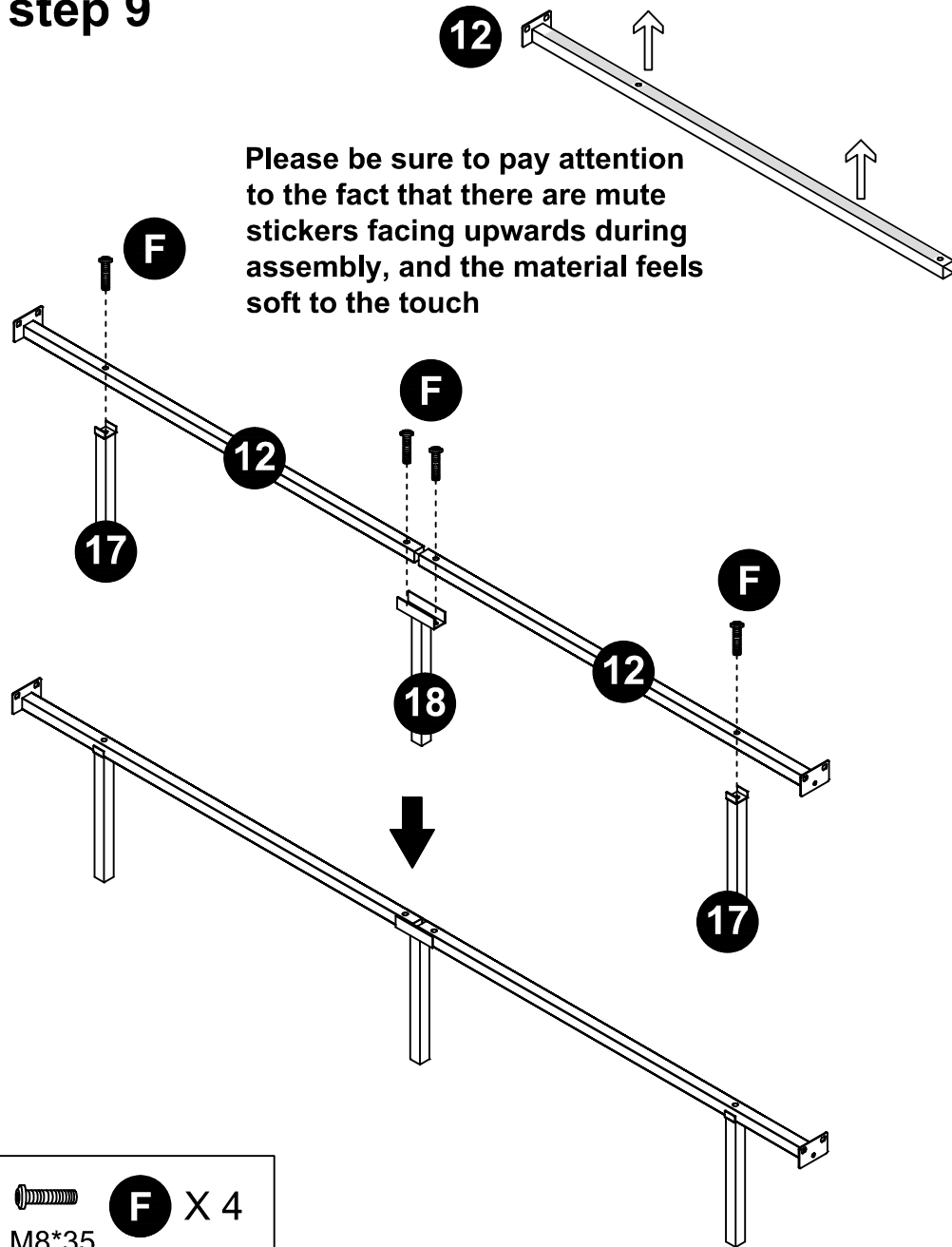
## step 8

Pay attention to the direction of part 9

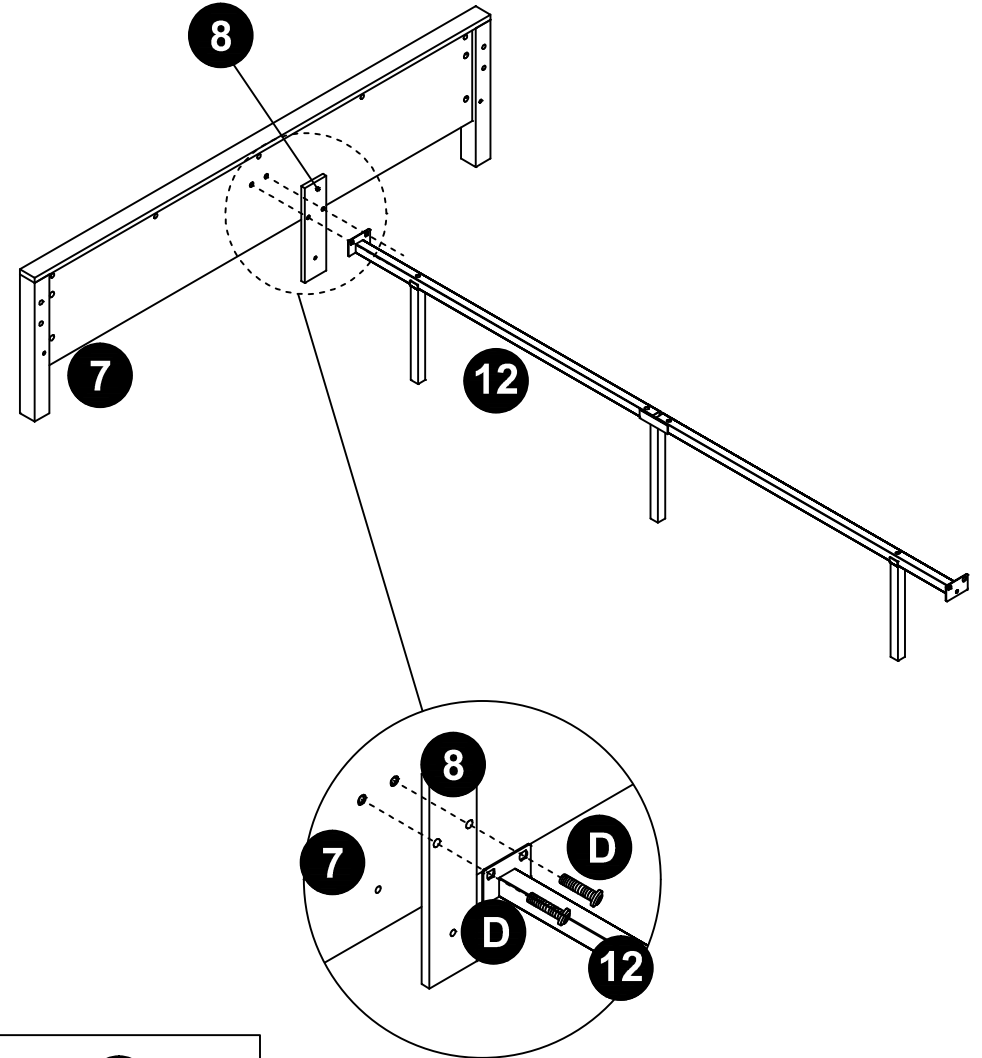


# Assembly Instruction

step 9

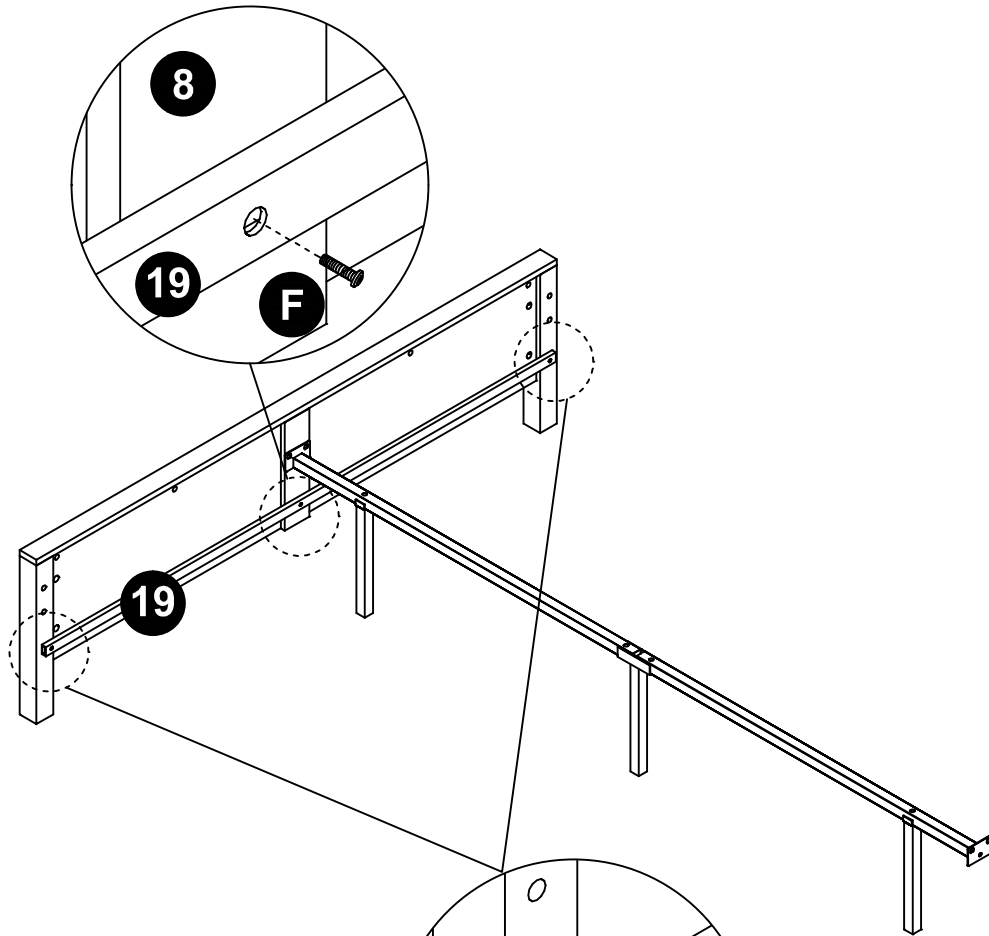




step 10



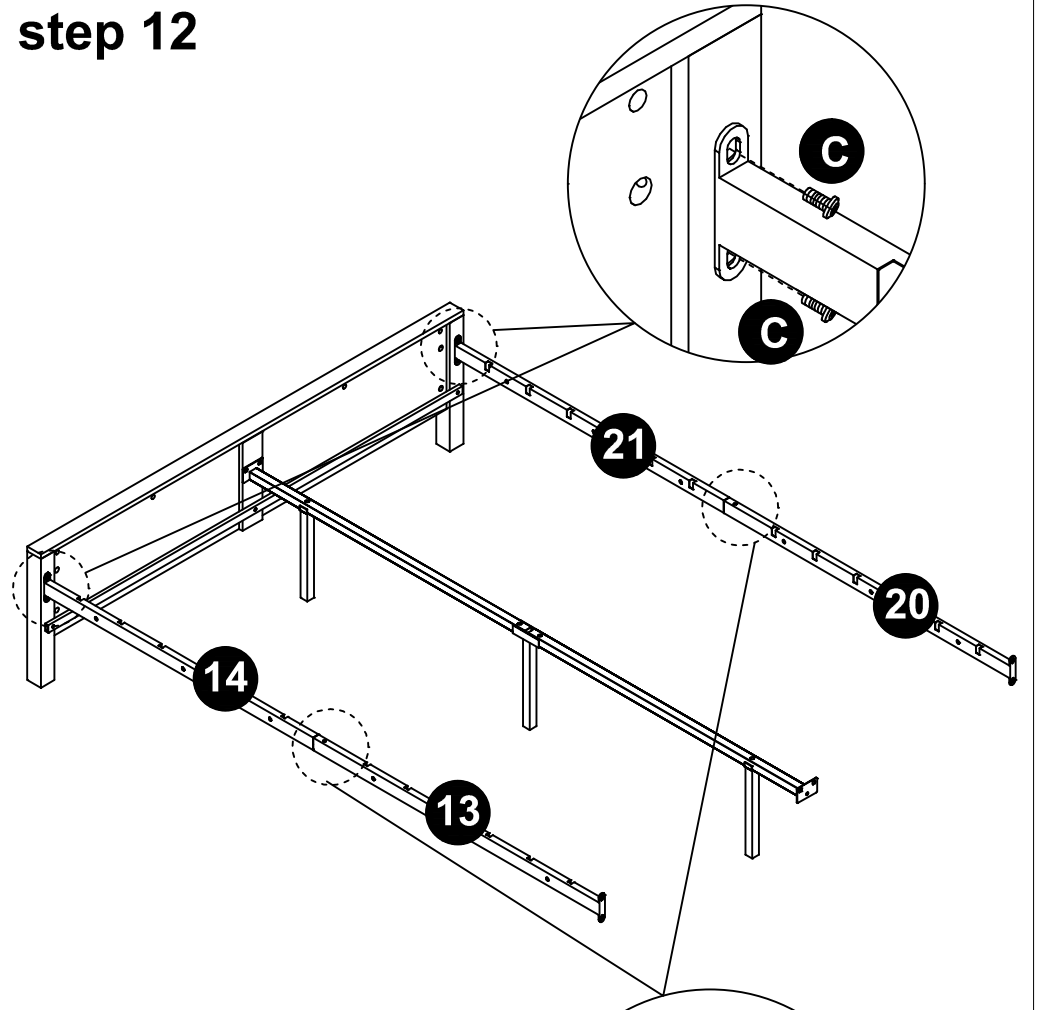
# Assembly Instruction


step 11



- |   |
|---|
|  <b>C</b> X 2<br>M8*20 |
|  <b>F</b> X 1<br>M8*35 |

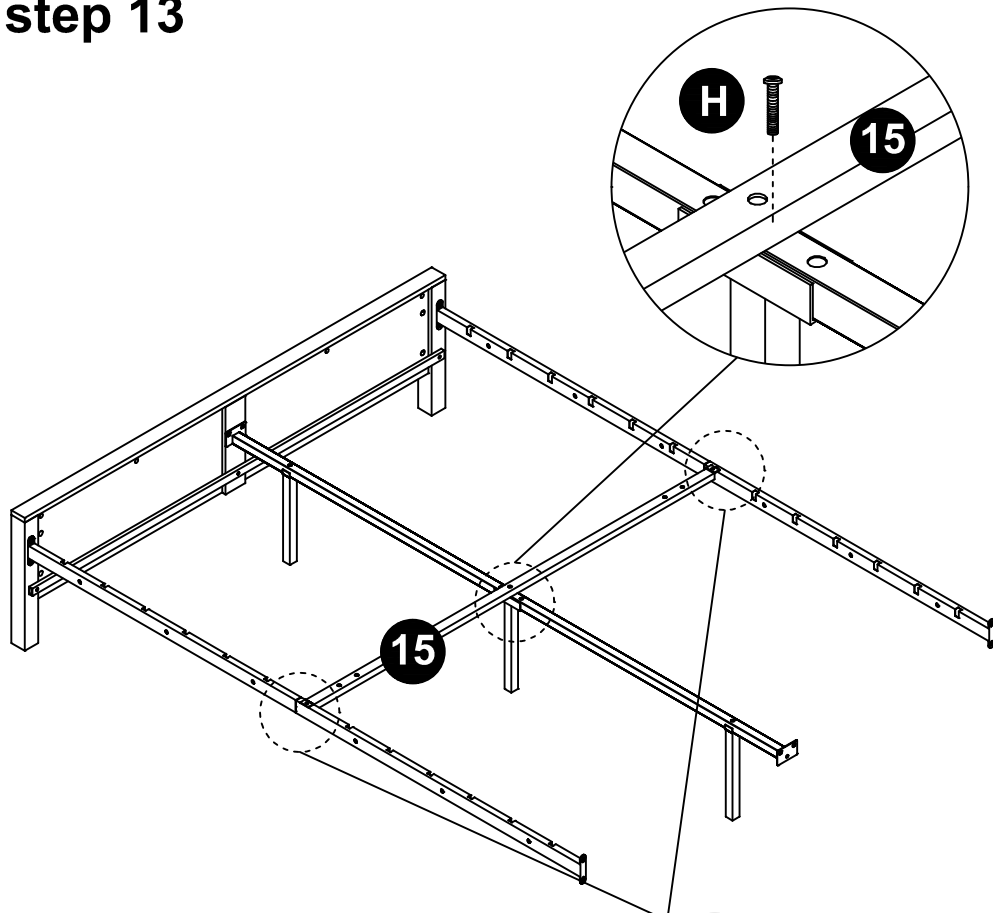
step 12



- |   |
|---|
|  <b>C</b> X 4<br>M8*20 |
|---|

# Assembly Instruction

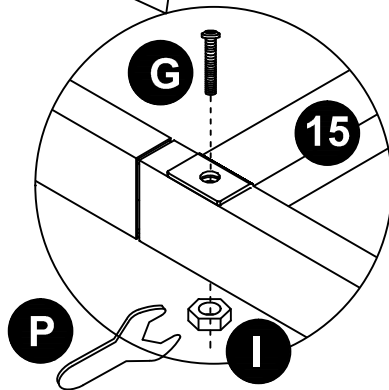
step 13



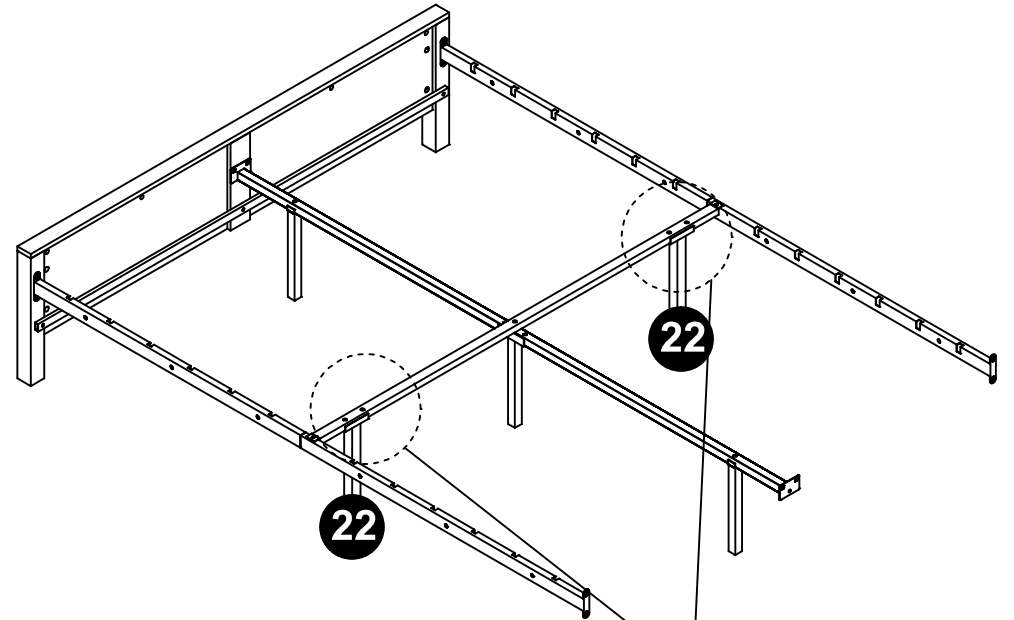
 **I** X 2

 **G** X 2  
M8\*50

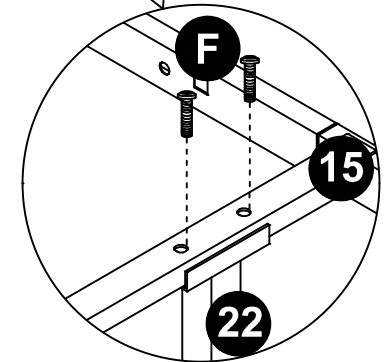
 **H** X 1  
M8\*55



step 14

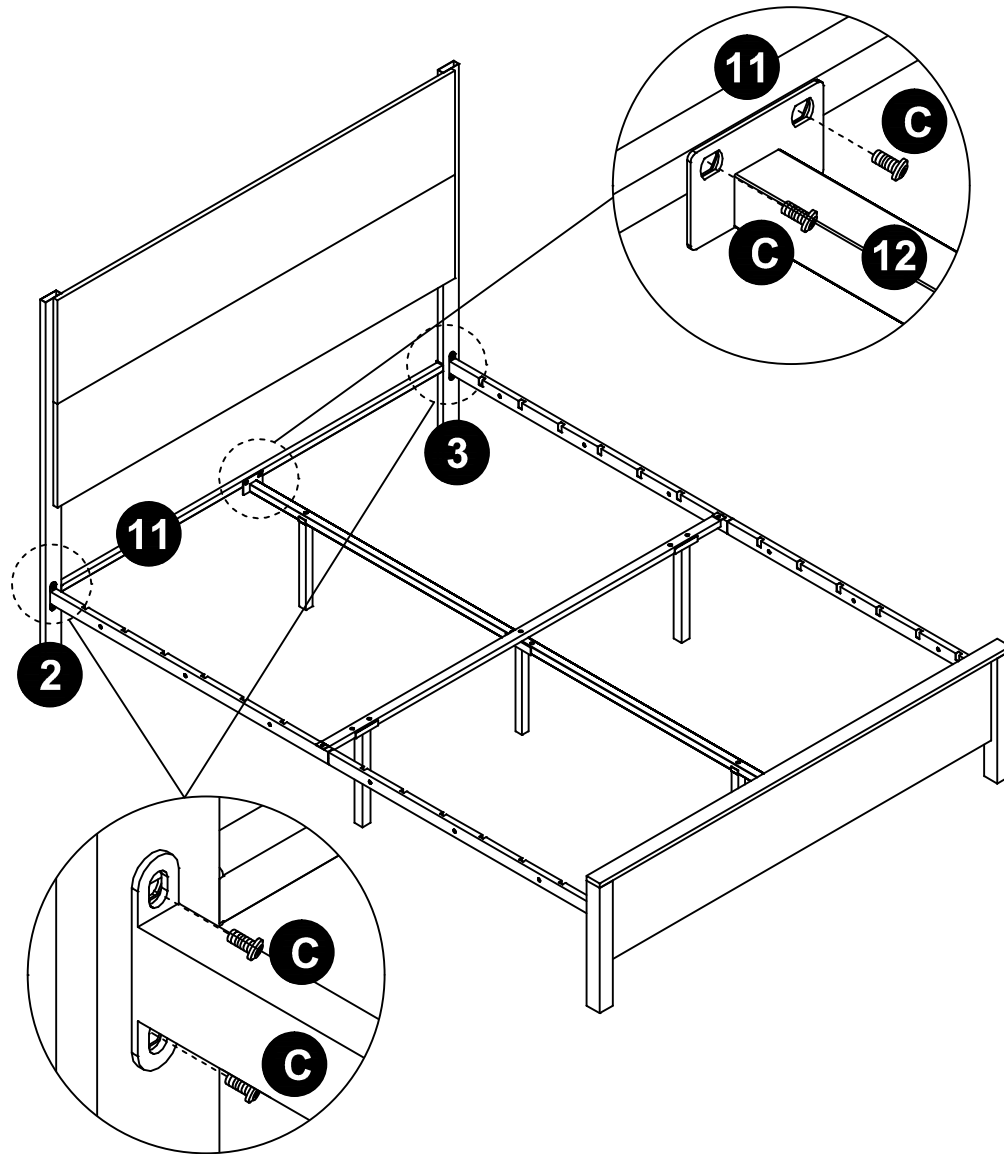



 **F** X 4  
M8\*35



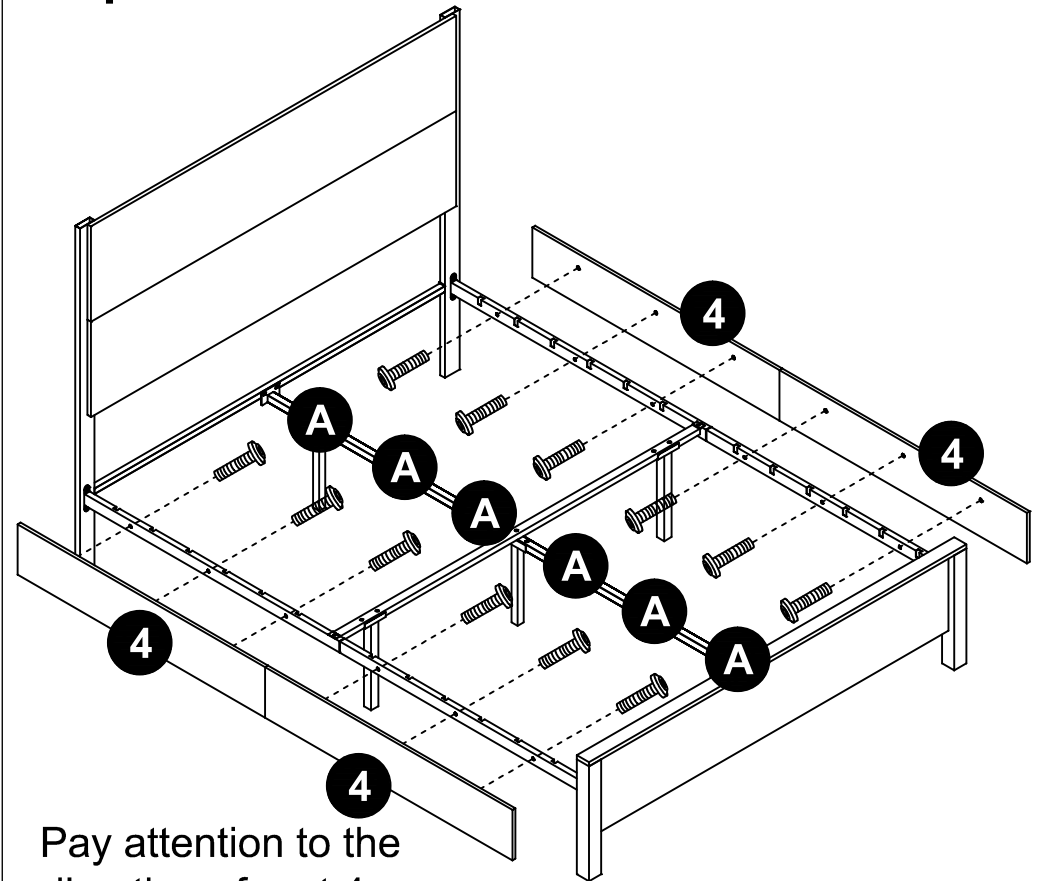
# Assembly Instruction

step 15



 **C** X 6  
M8\*20

step 16

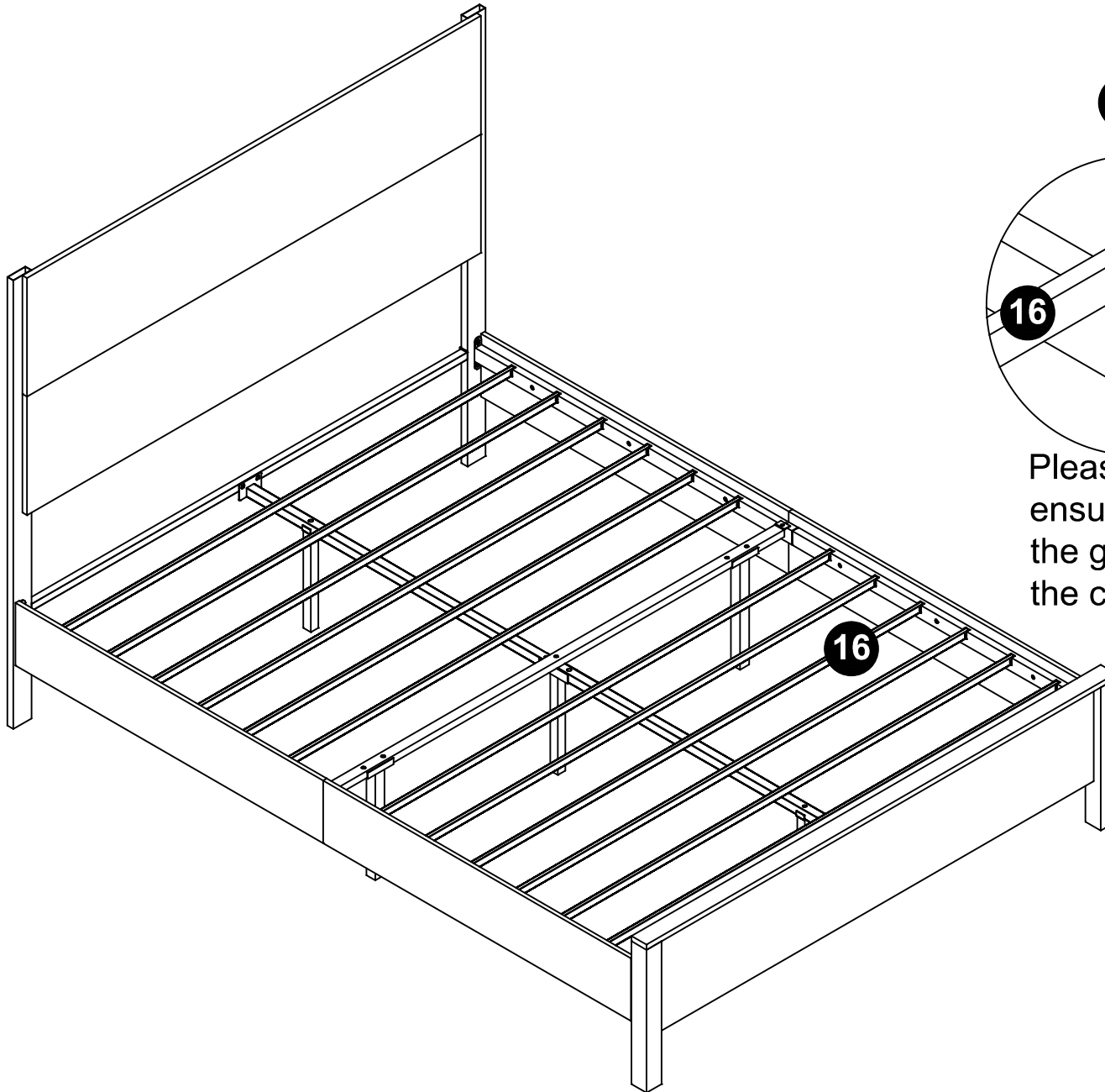


Pay attention to the direction of part 4

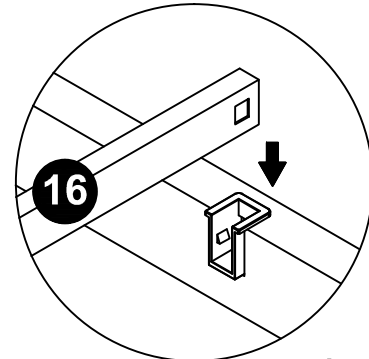
 **A** X 12  
M6\*28

# Assembly Instruction

step 17



**16** X 12

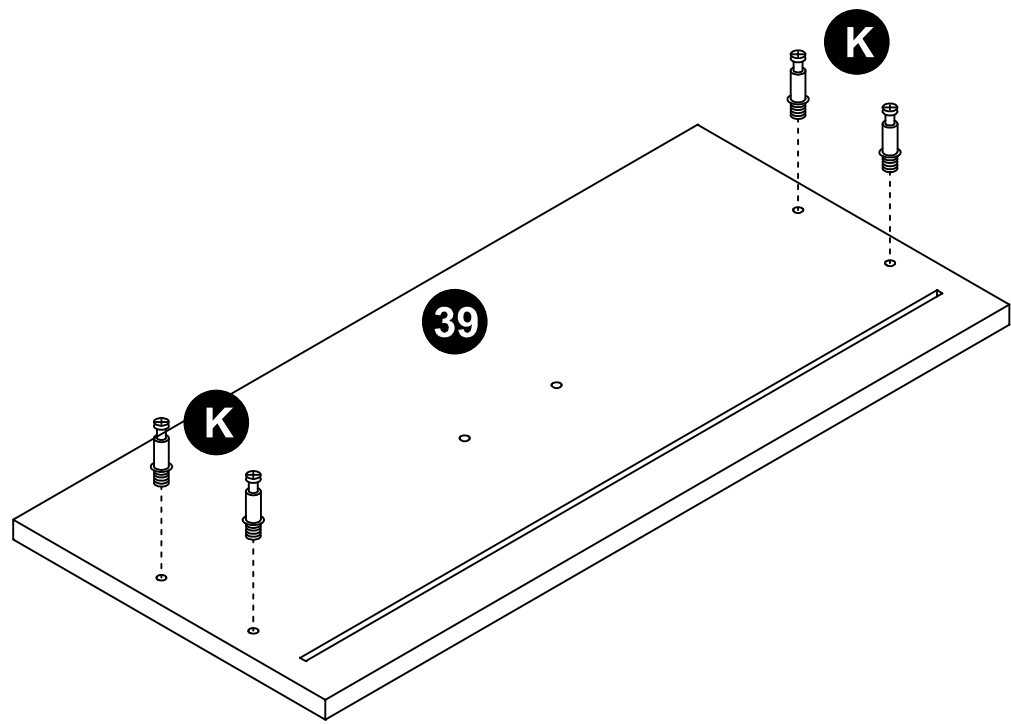


Please press firmly to ensure that the latch in the groove can snap into the catch on part 16

# Assembly Instruction

step 18

X4

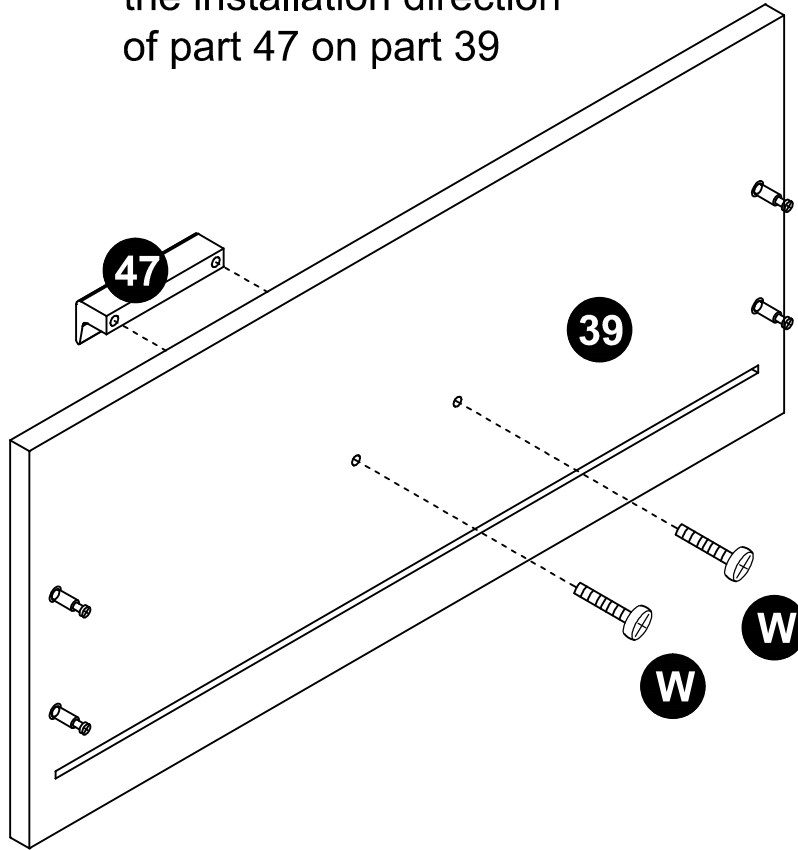


 **K** X 16

step 19

X4

Please pay attention to the installation direction of part 47 on part 39



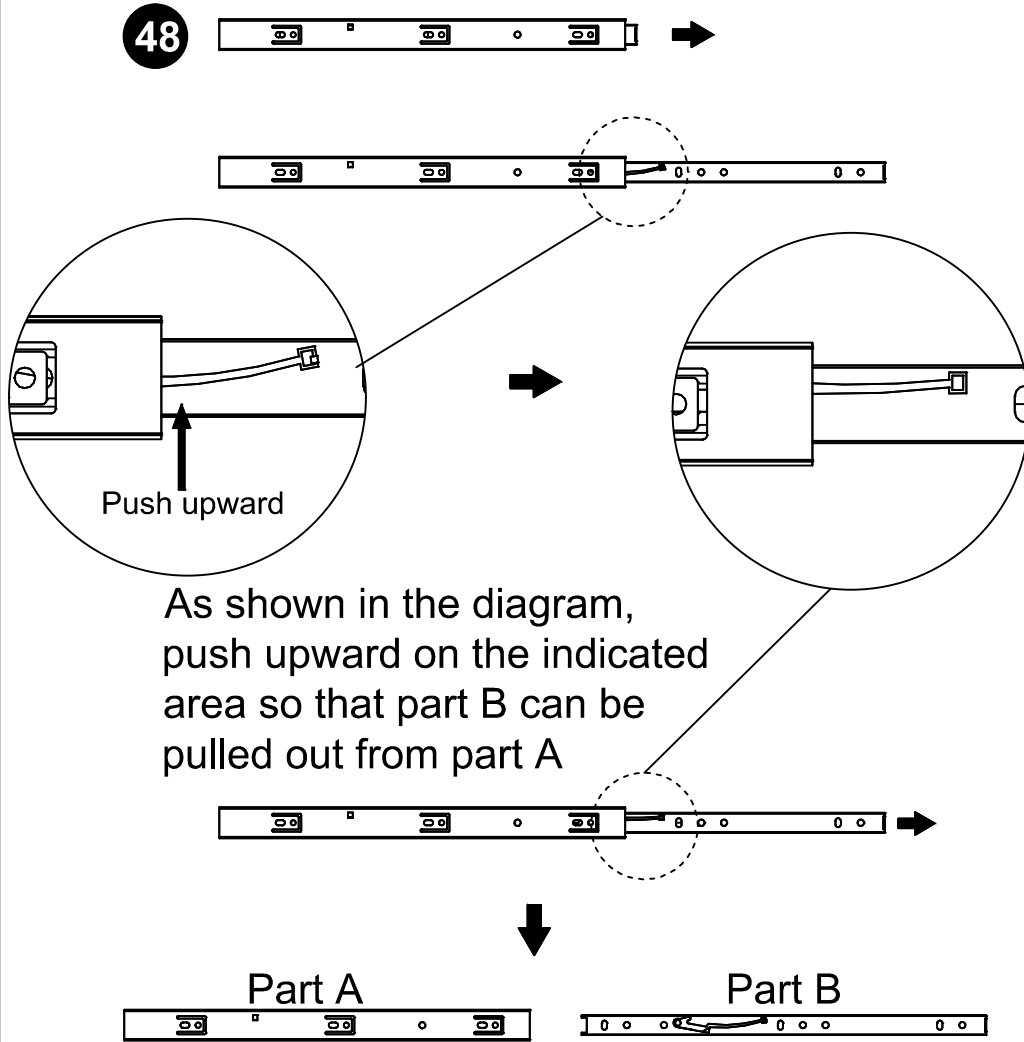
 **W** X 8

# Assembly Instruction

step 20

X8

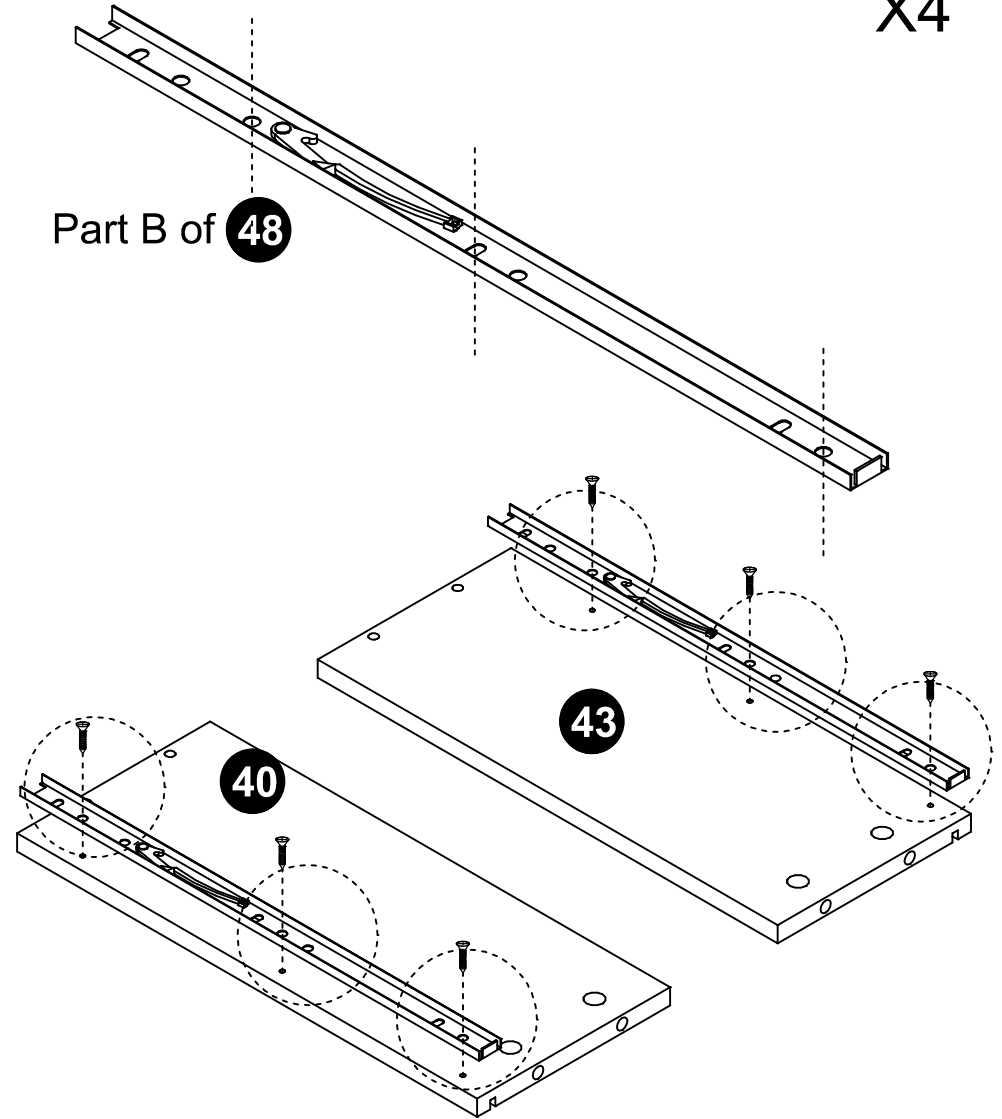
Unfold **48**



step 21

X4

Part B of **48**

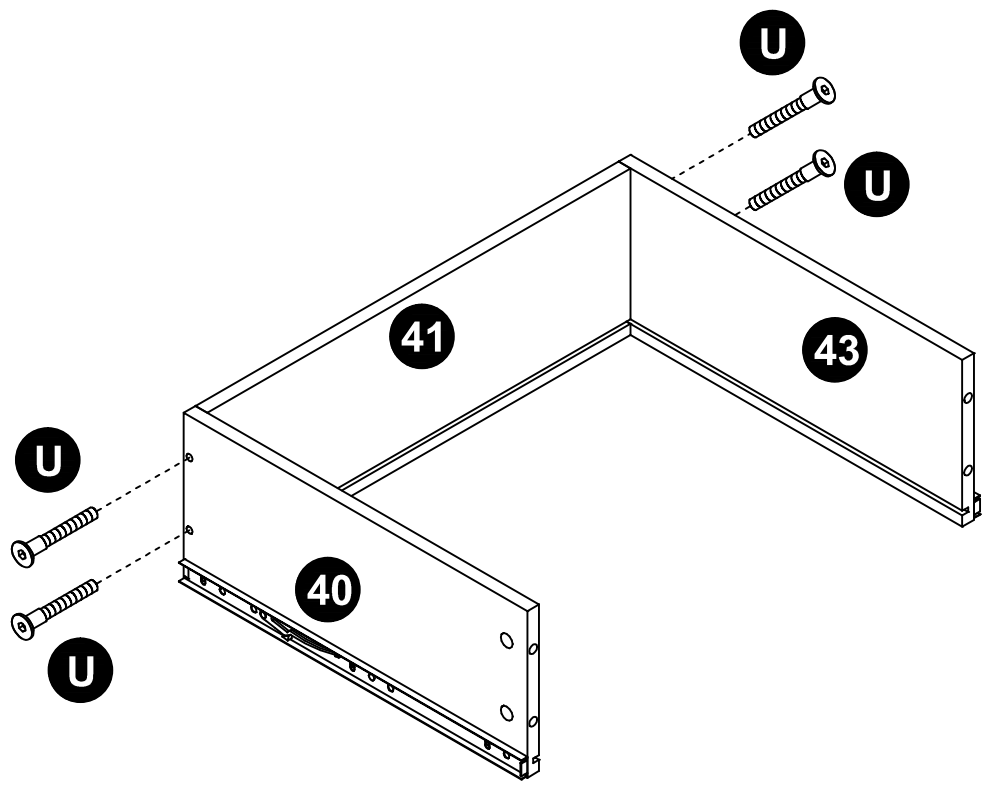


 **V** X 24  
M3\*12

# Assembly Instruction

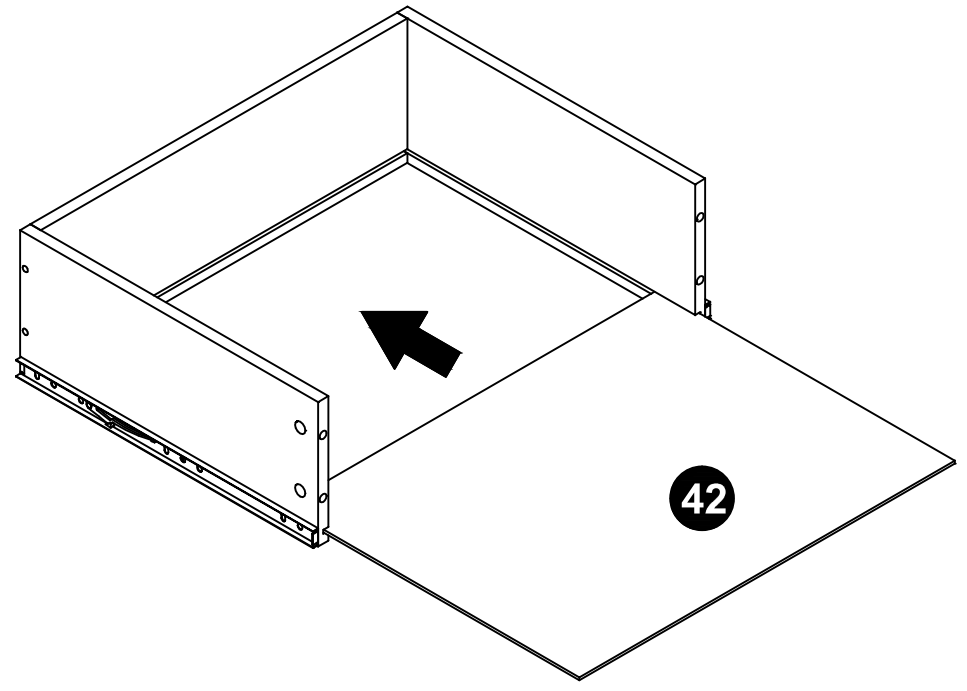
step 22

X4



step 23

X4

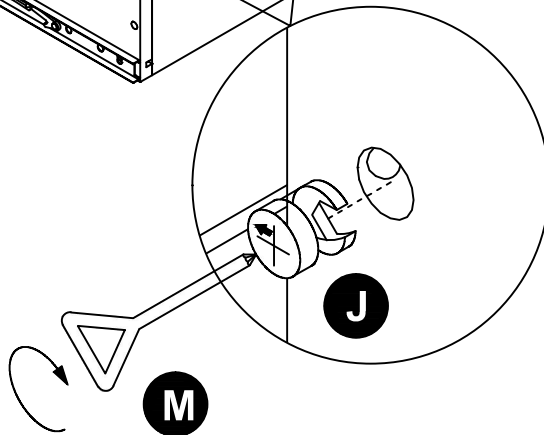
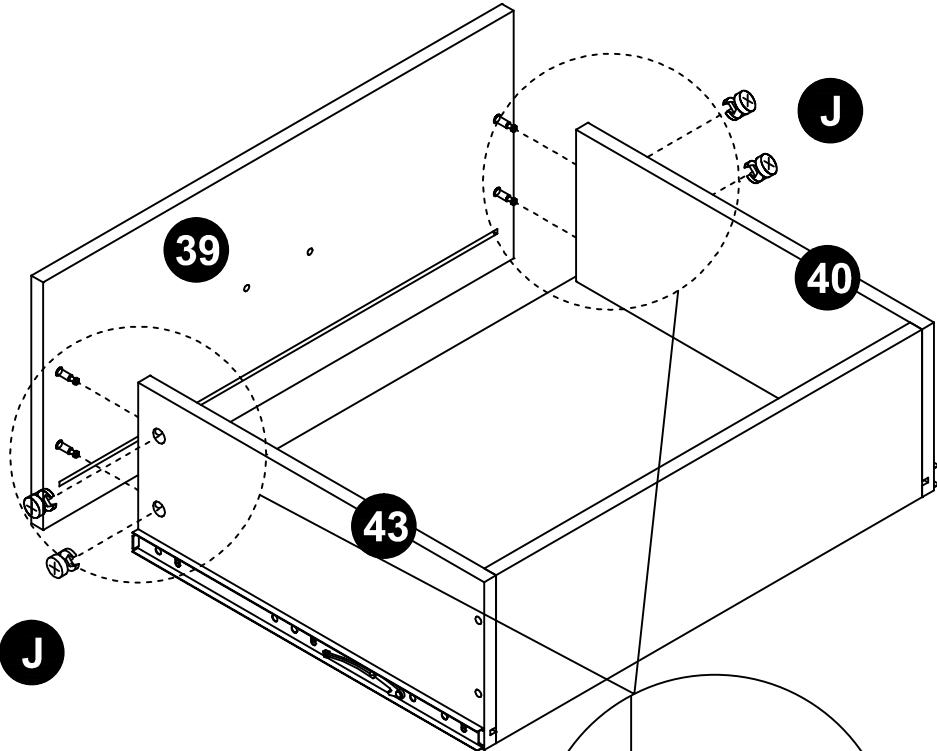
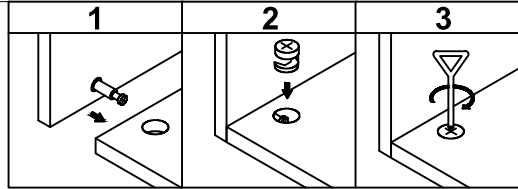


 **U** X 16  
M5\*35

# Assembly Instruction

step 24

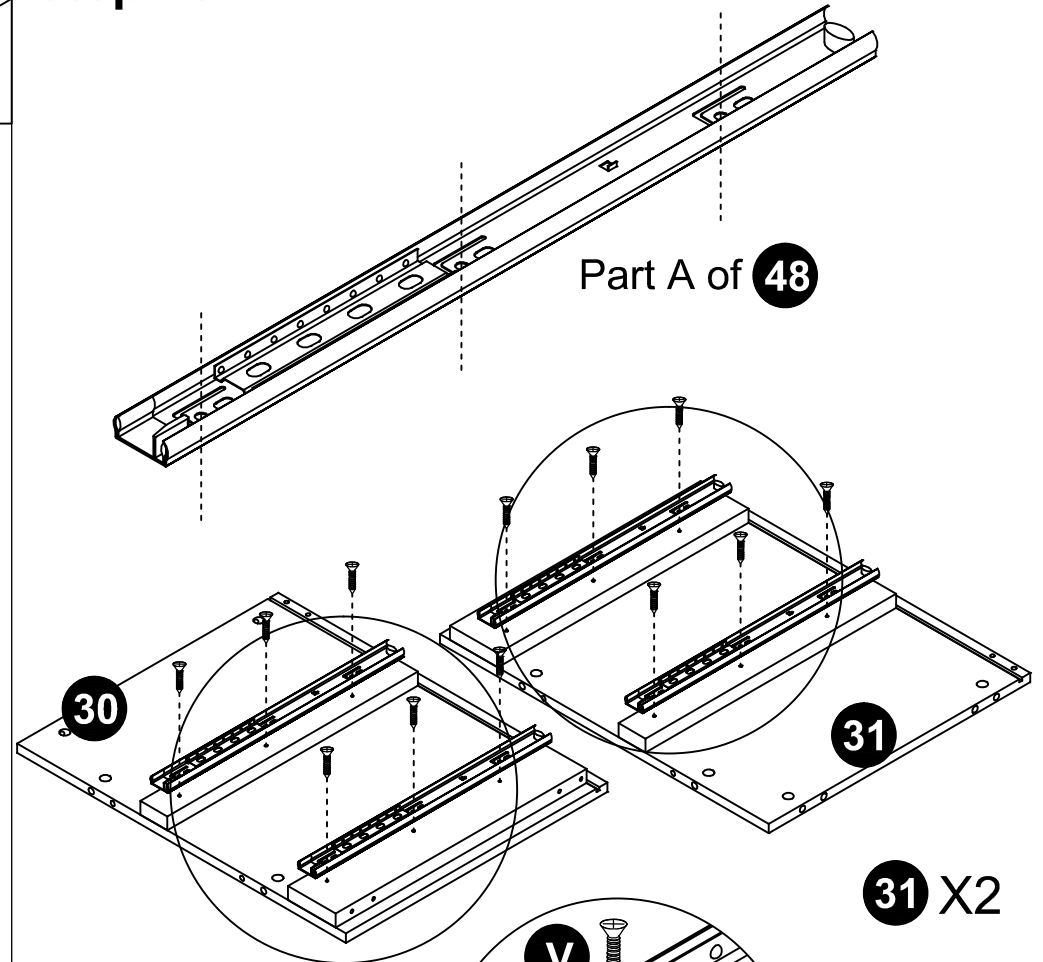
X4



**J** X 16

**M**

step 25



**30** X2

**31** X2

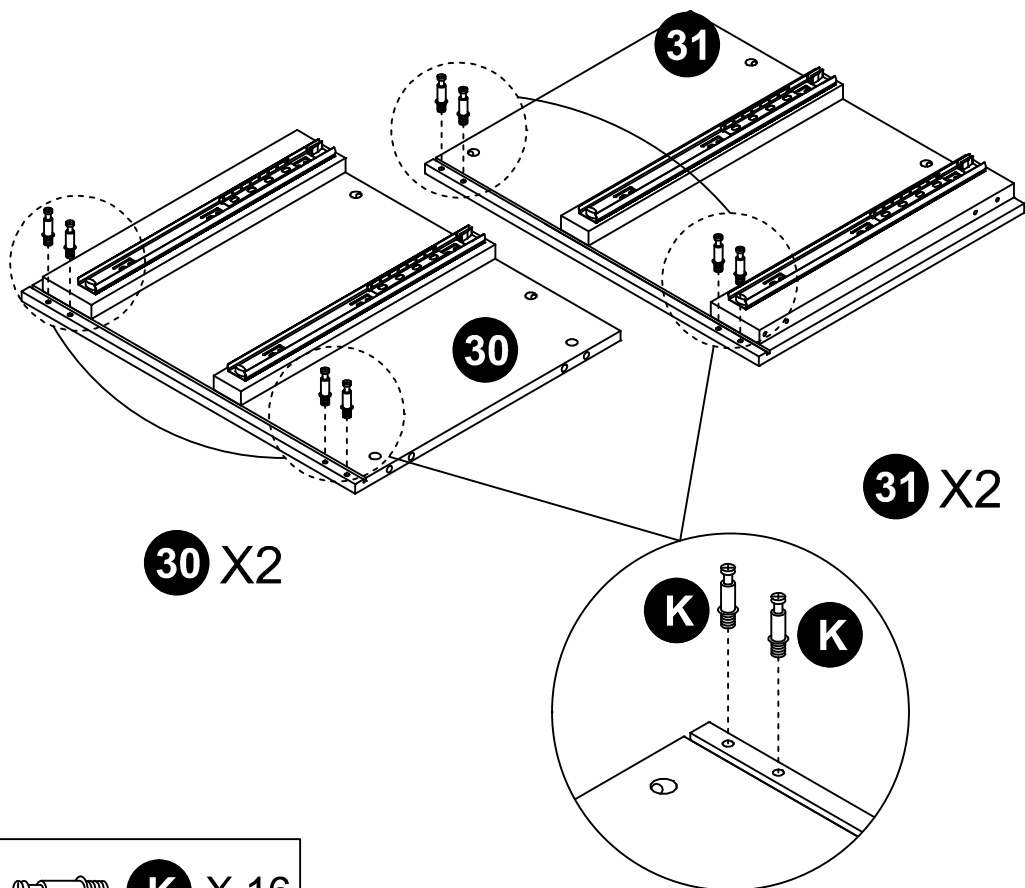


M3\*12

**V** X 24

# Assembly Instruction

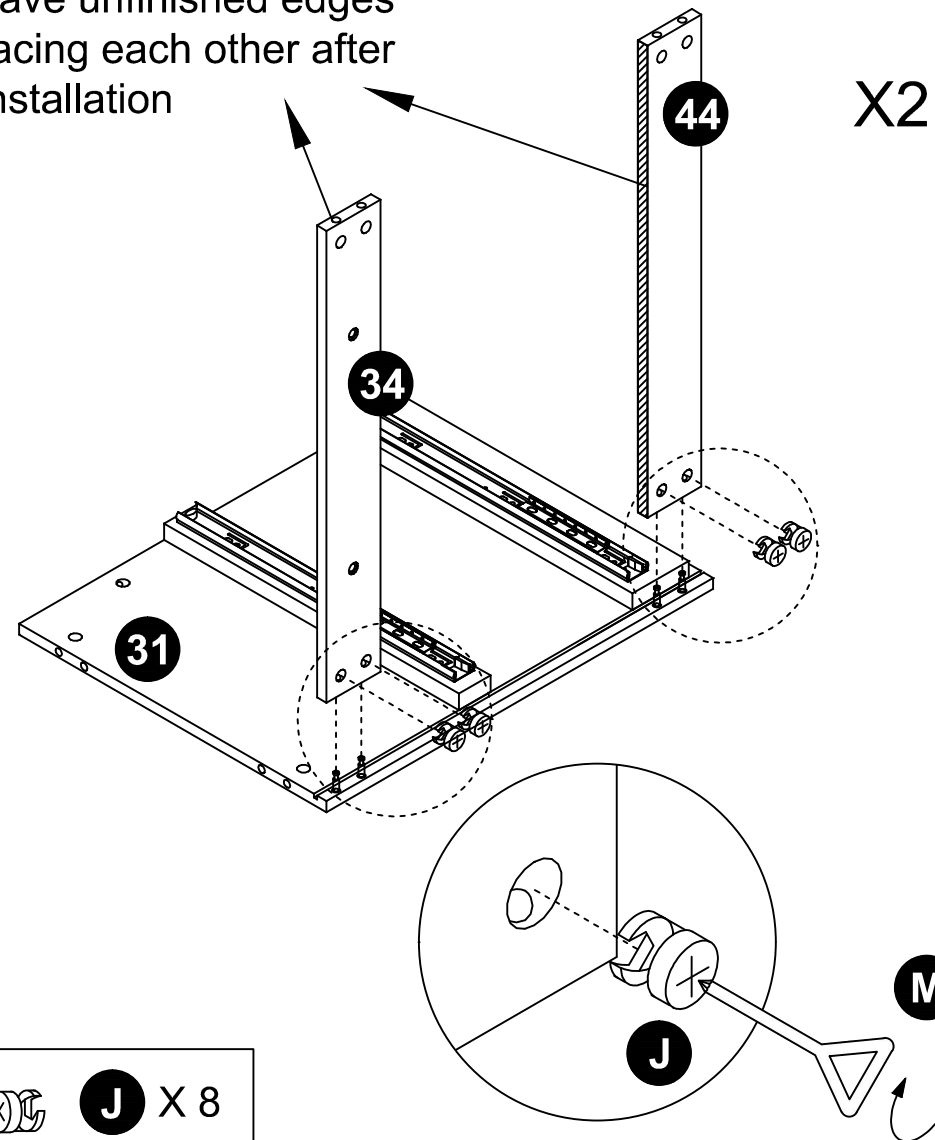
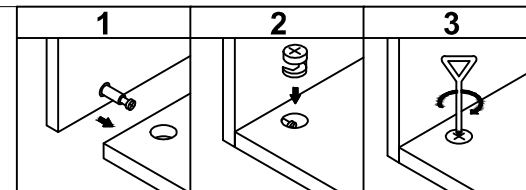
## step 26



 **K** X 16

## step 27

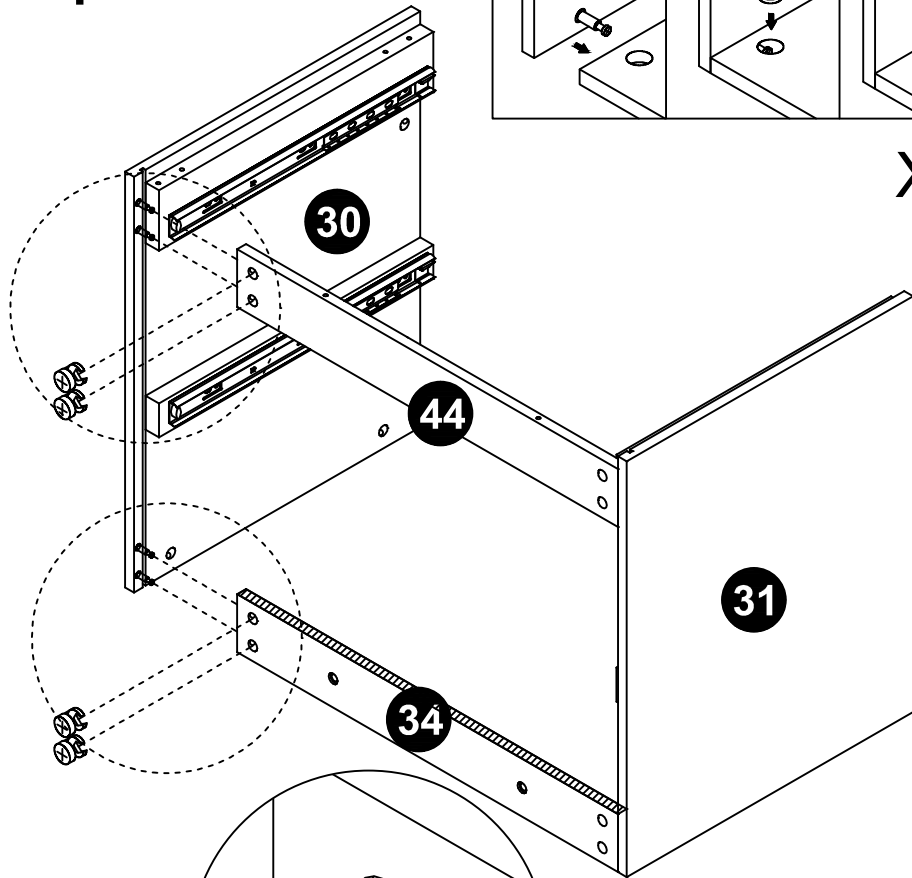
Note that parts 34 and 44 have unfinished edges facing each other after installation



 **J** X 8

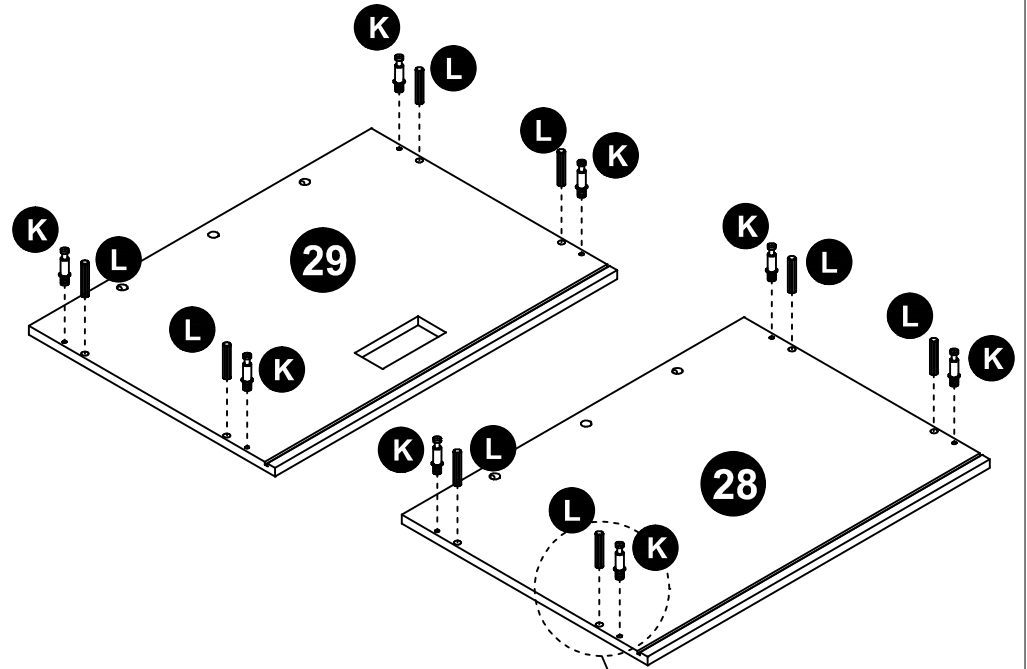
# Assembly Instruction

step 28



X2

step 29



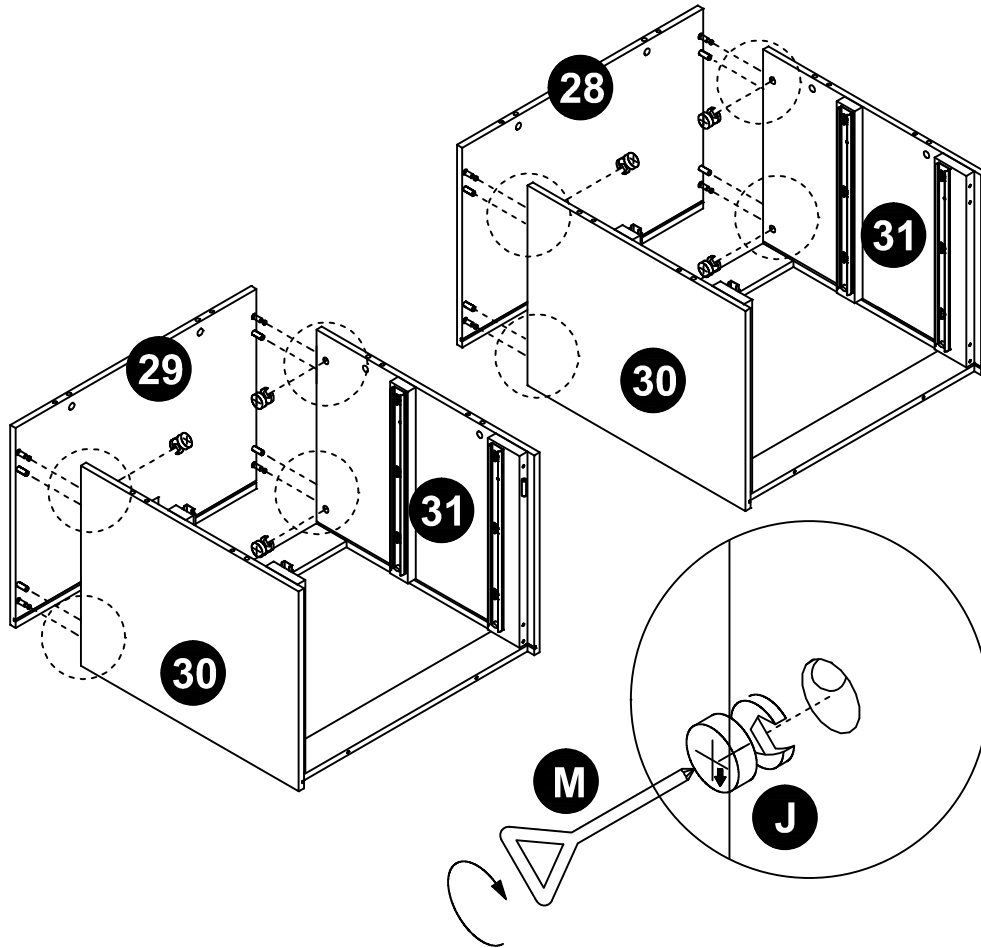
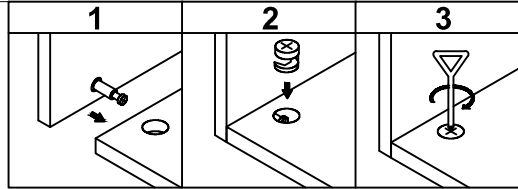
 **K** X 8

 **L** X 8  
Ø8

 **J** X 8

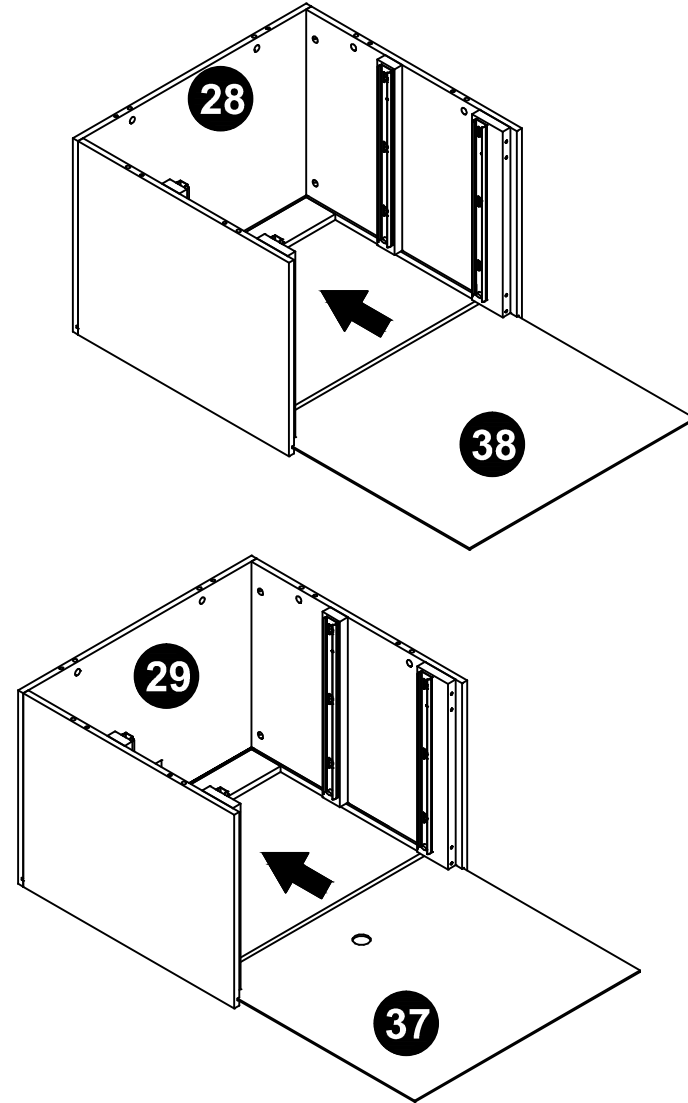
# Assembly Instruction

step 30



As shown in the diagram, please ensure that the grooves on parts 28 and 29 are facing inward

step 31



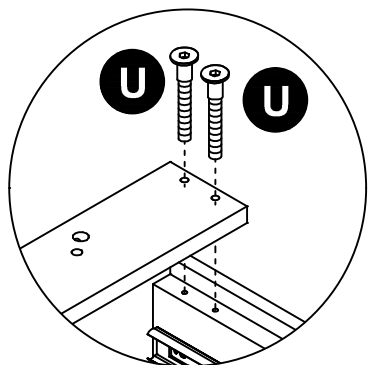
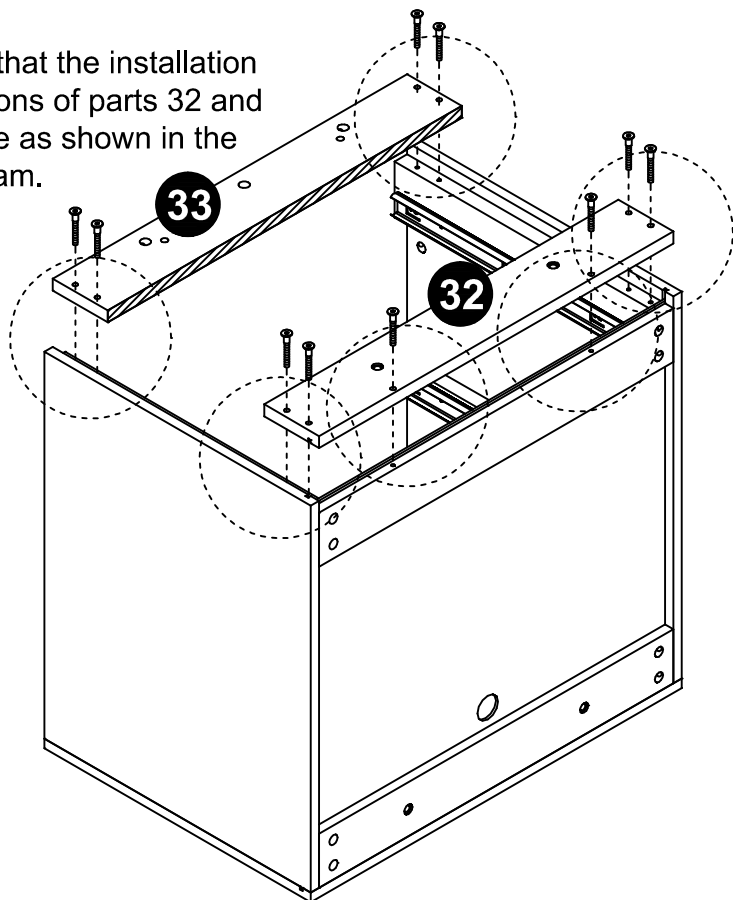
**J** X 8

# Assembly Instruction

## step 32

X2

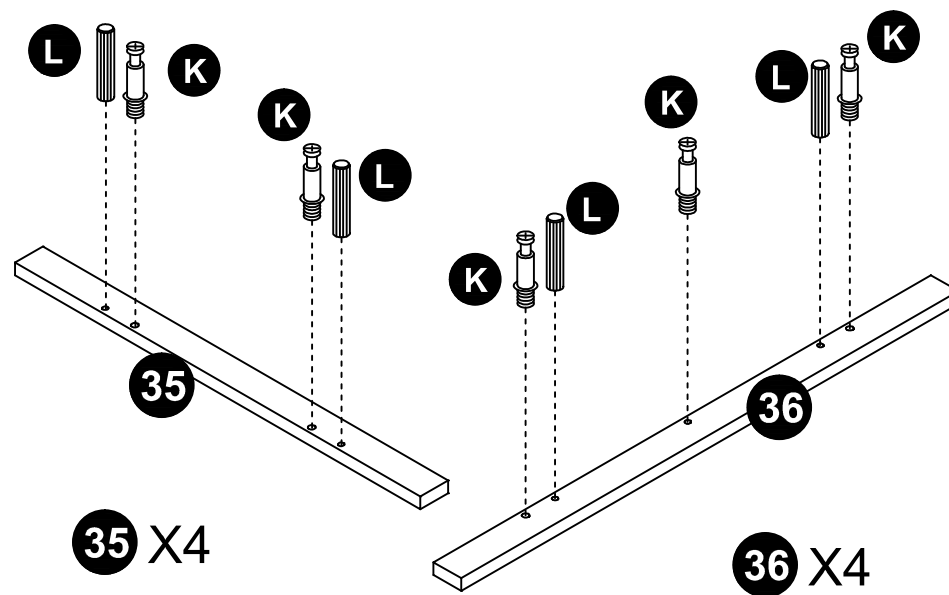
Note that the installation positions of parts 32 and 33 are as shown in the diagram.



 **U** X 20  
M5\*35

## step 33

X4

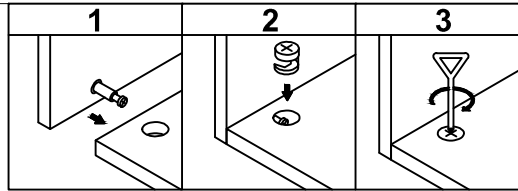


 **K** X 20

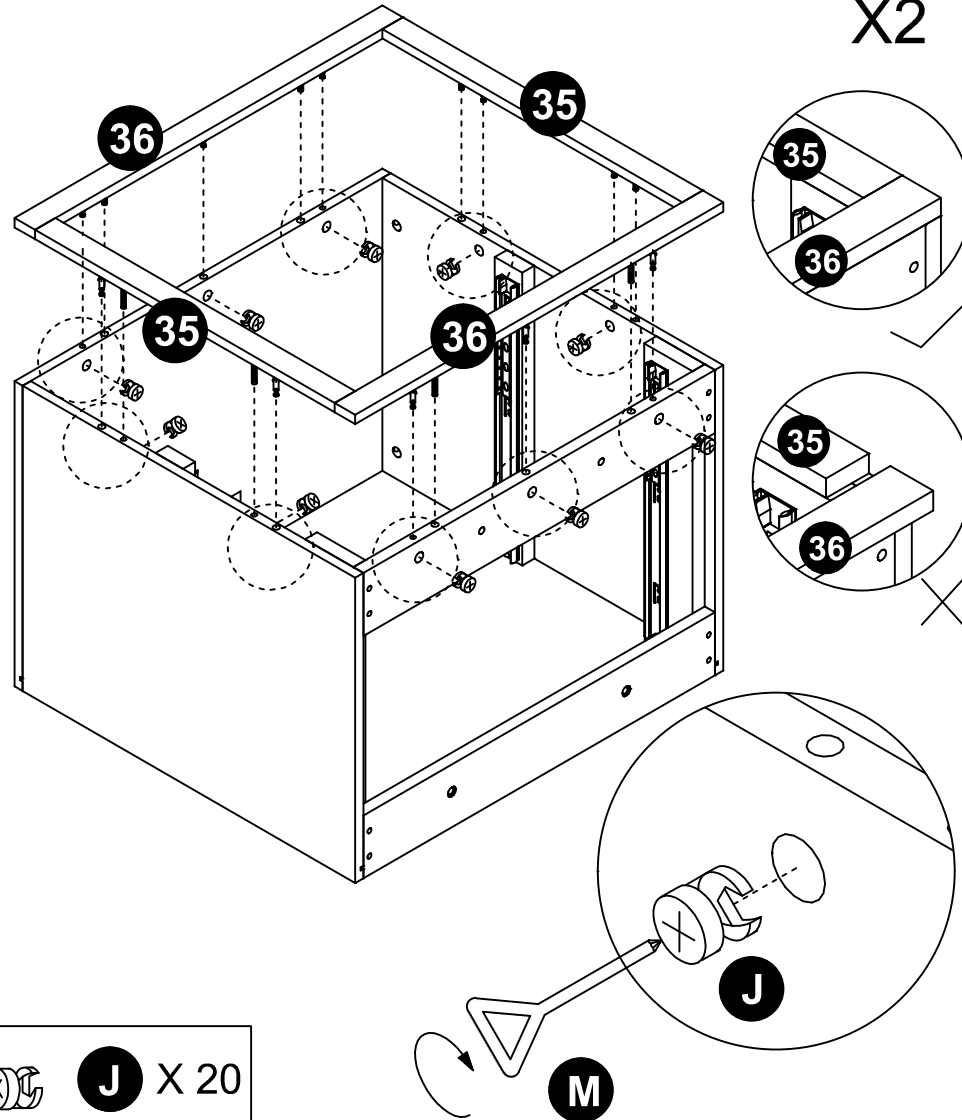
 **L** X 16  
Ø8

# Assembly Instruction

step 34

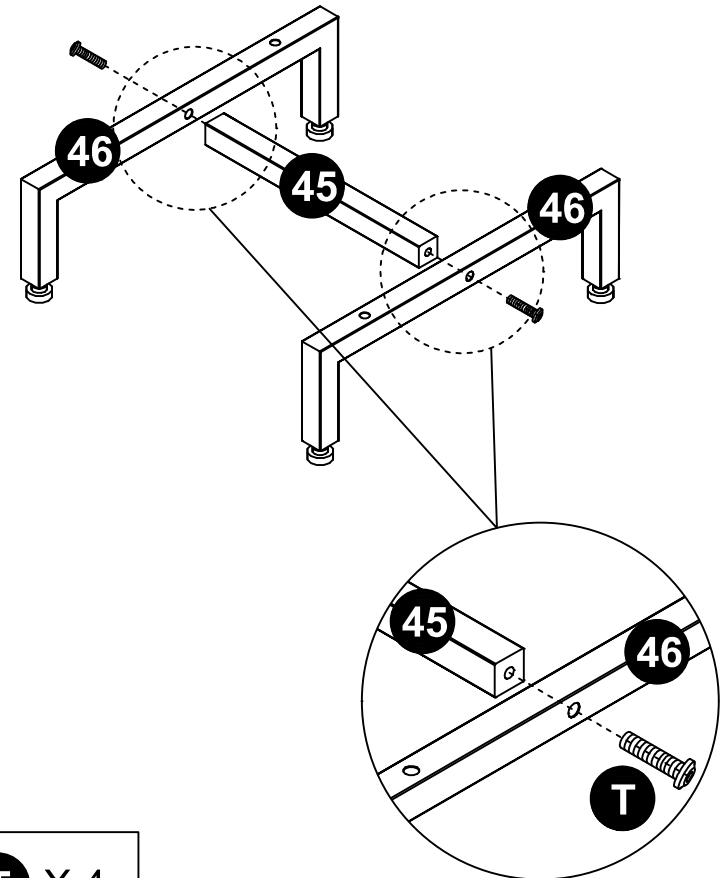


X2



step 35

X2

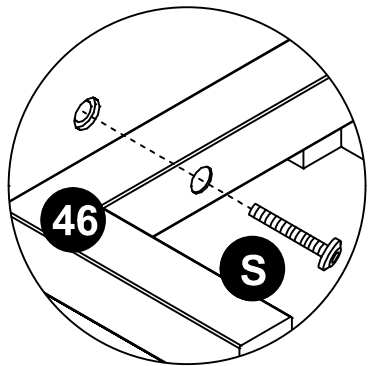
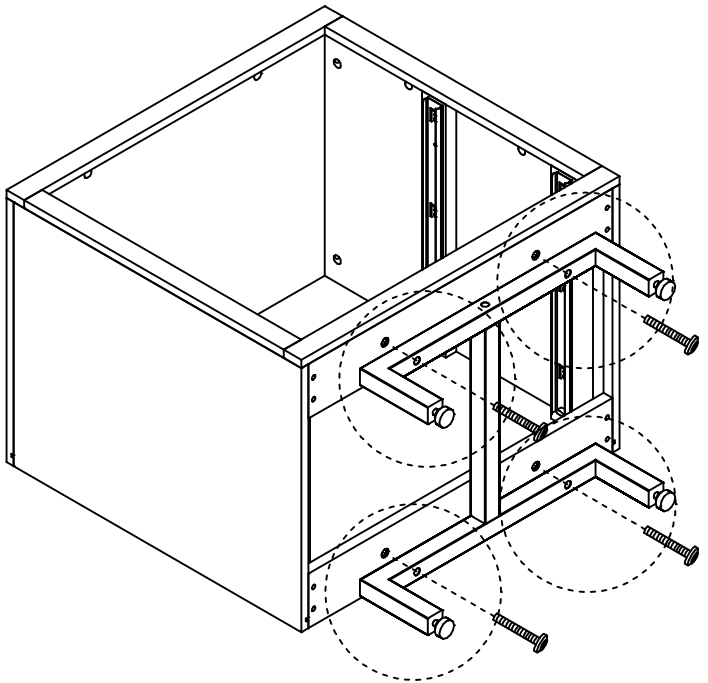


M8\*45 **T** X 4

# Assembly Instruction

step 36

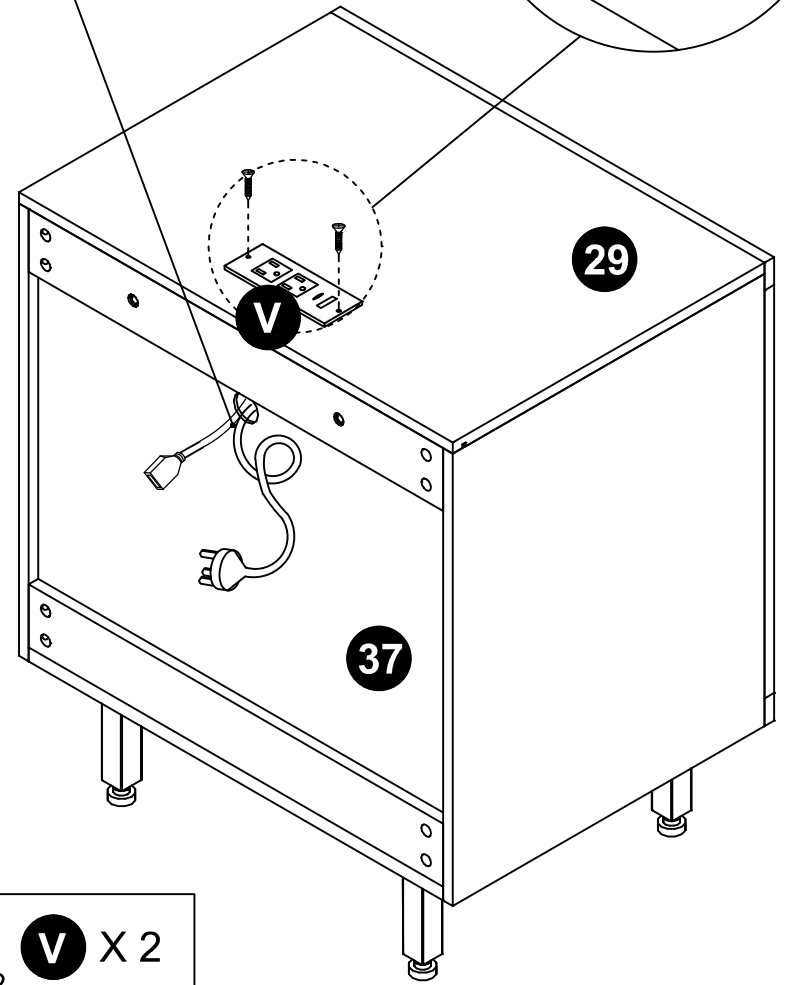
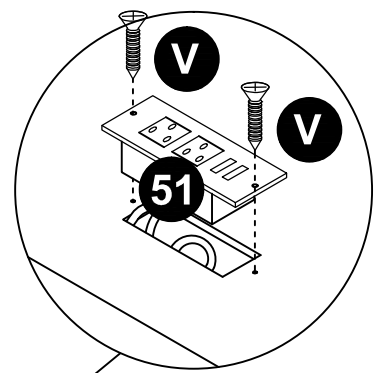
X2



 **S** X 8  
M6\*45

step 37

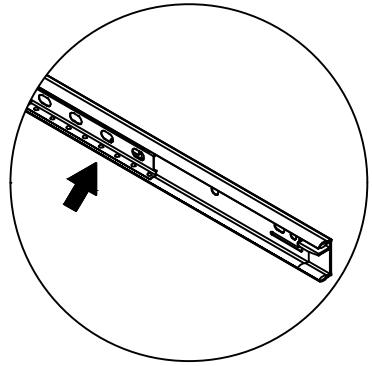
Install the socket and thread the plug through the hole of part 37



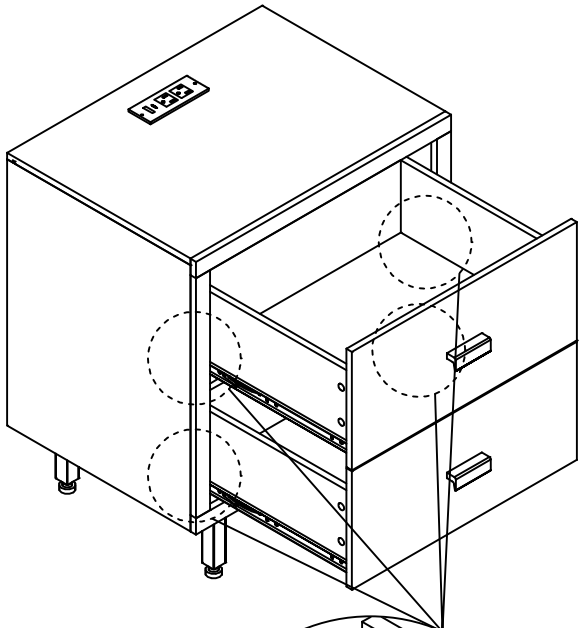
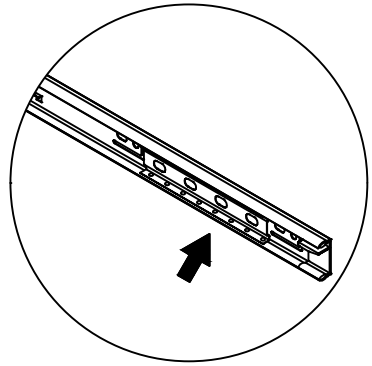
 **V** X 2  
M3\*12

# Assembly Instruction

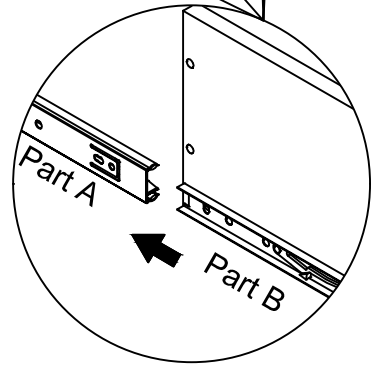
## step 38



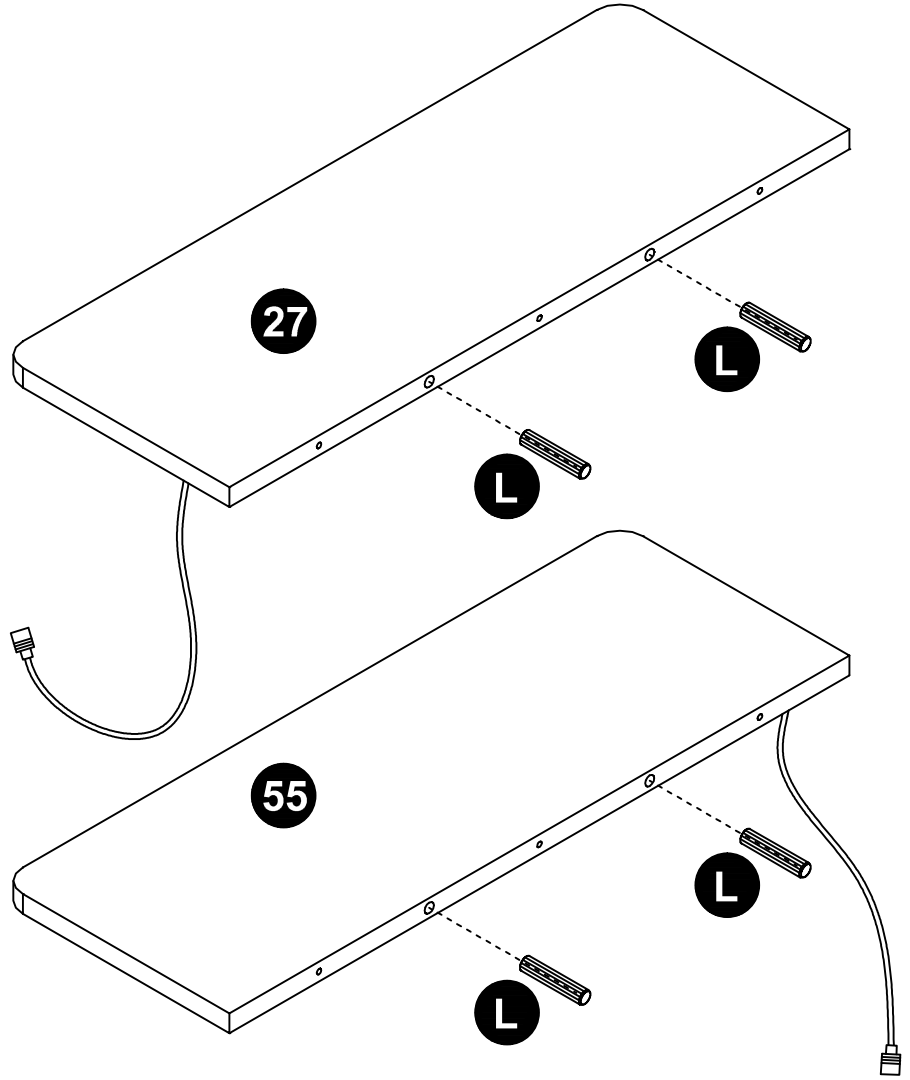
Pull out the sliding track before installation



Align part B with the groove on part A to complete the drawer installation. To remove the drawer, simply follow step 20 to separate parts A and B from part 48

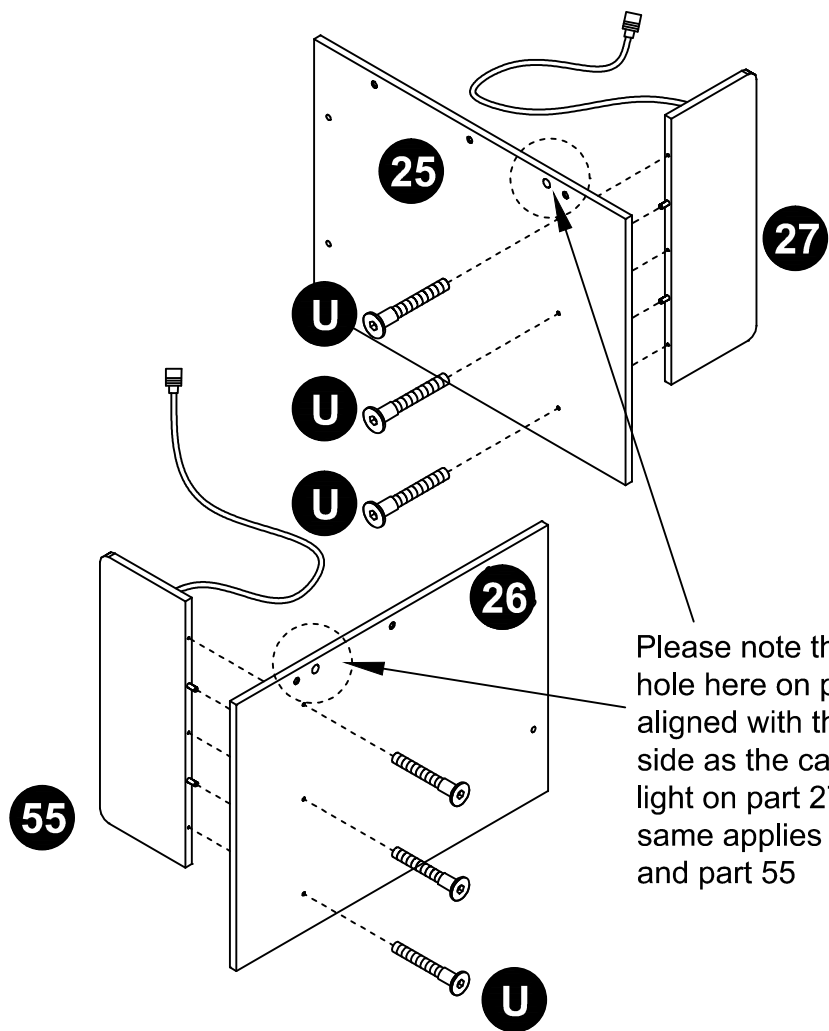


## step 39



# Assembly Instruction

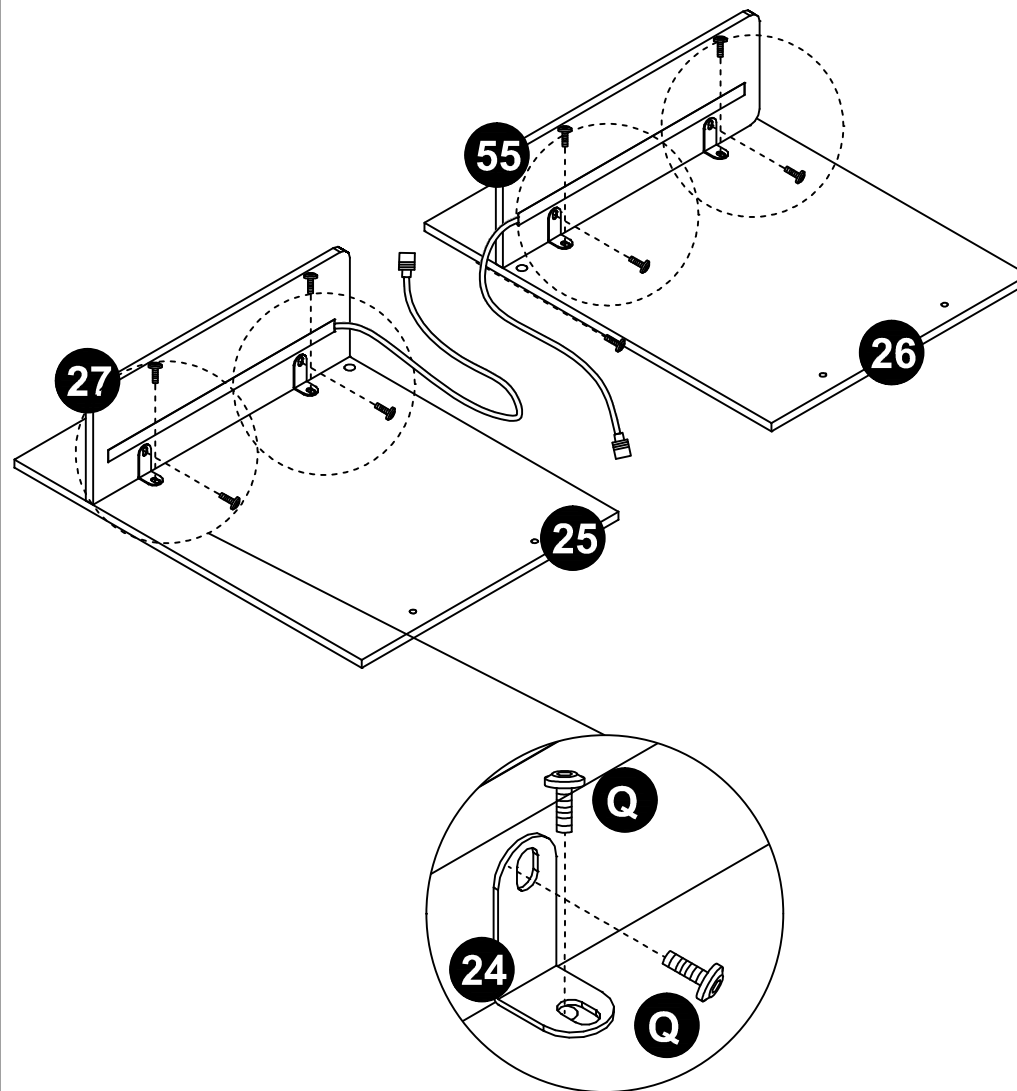
## step 40



Please note that the hole here on part 25 is aligned with the same side as the cable of the light on part 27. The same applies to part 26 and part 55

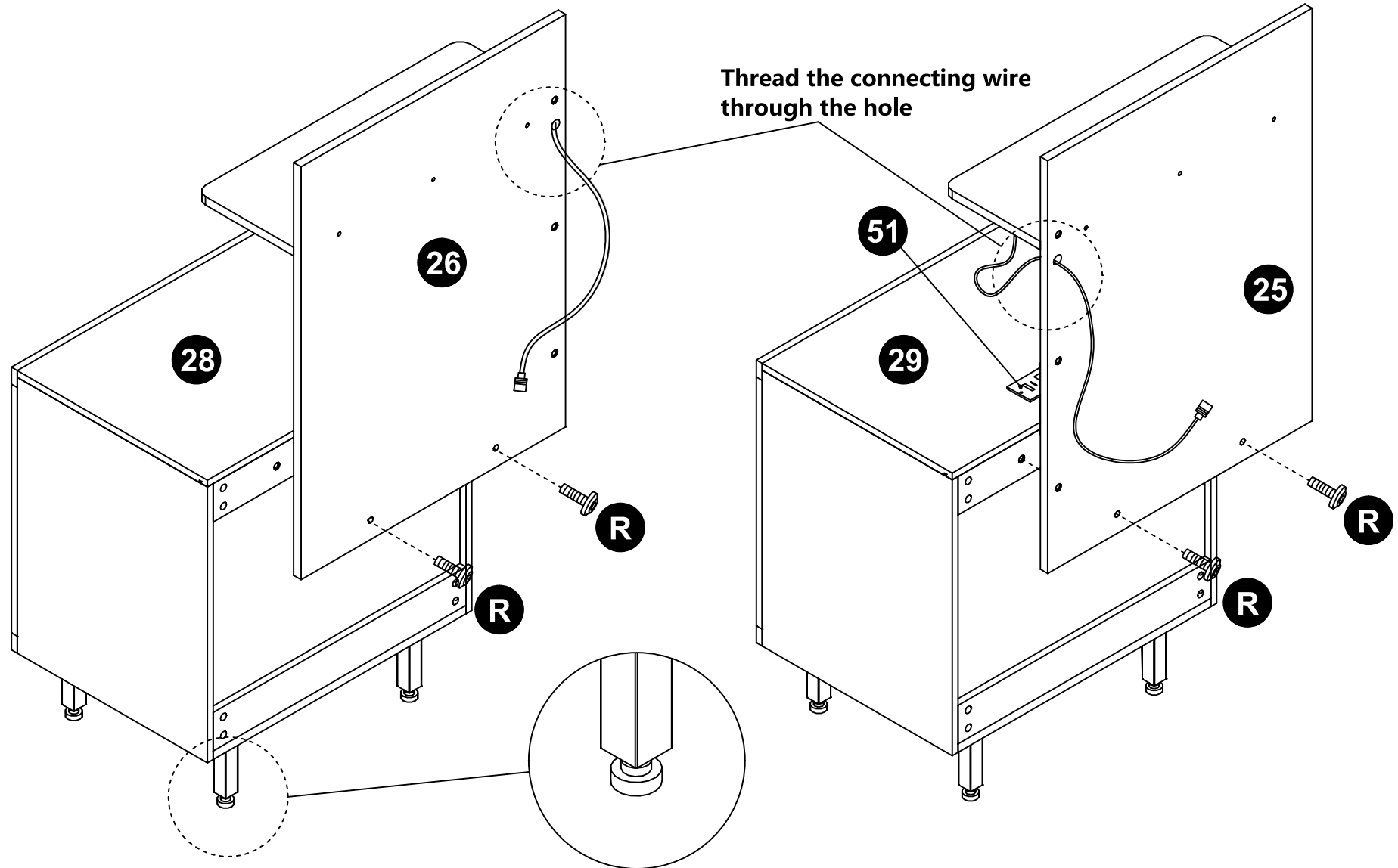
 **U** X 6  
M5\*35

## step 41



 **Q** X 8  
M6\*10

# step 42

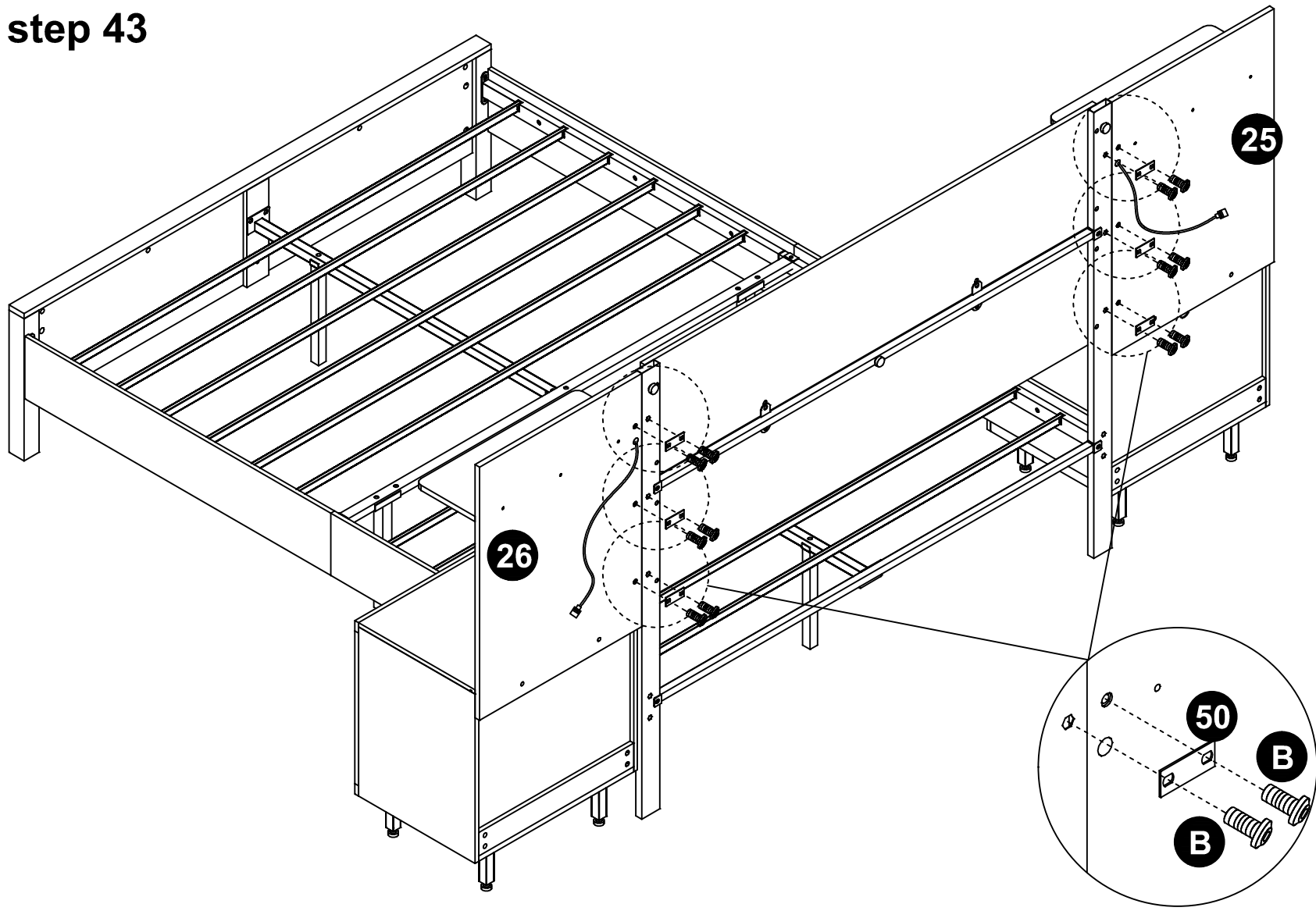


Clockwise rotation can lower the height, counterclockwise rotation can increase the height

 **R** X 4  
M6\*25

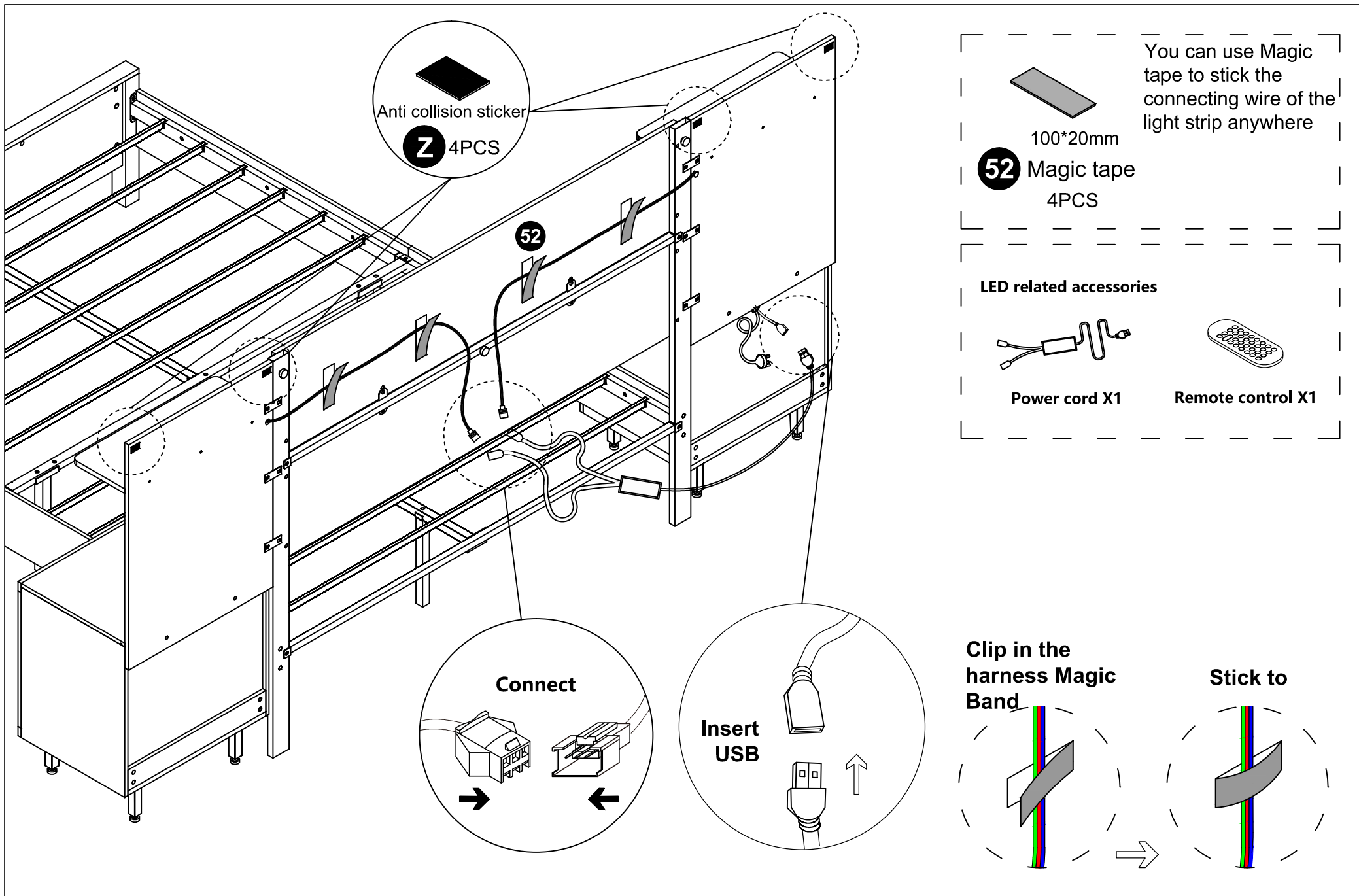
# Assembly Instruction

step 43

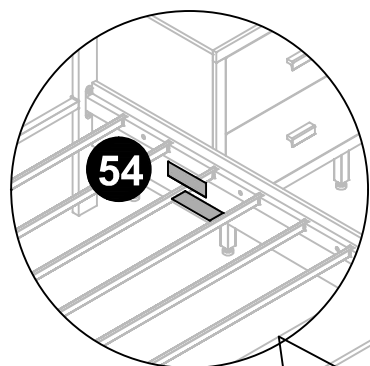


 **B** X 12  
M8\*10

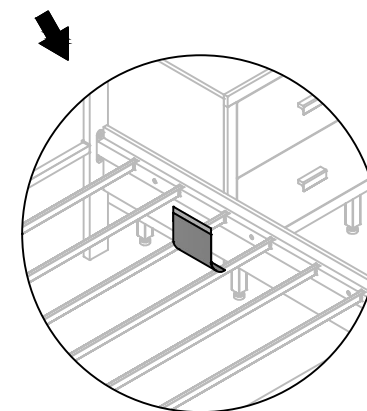
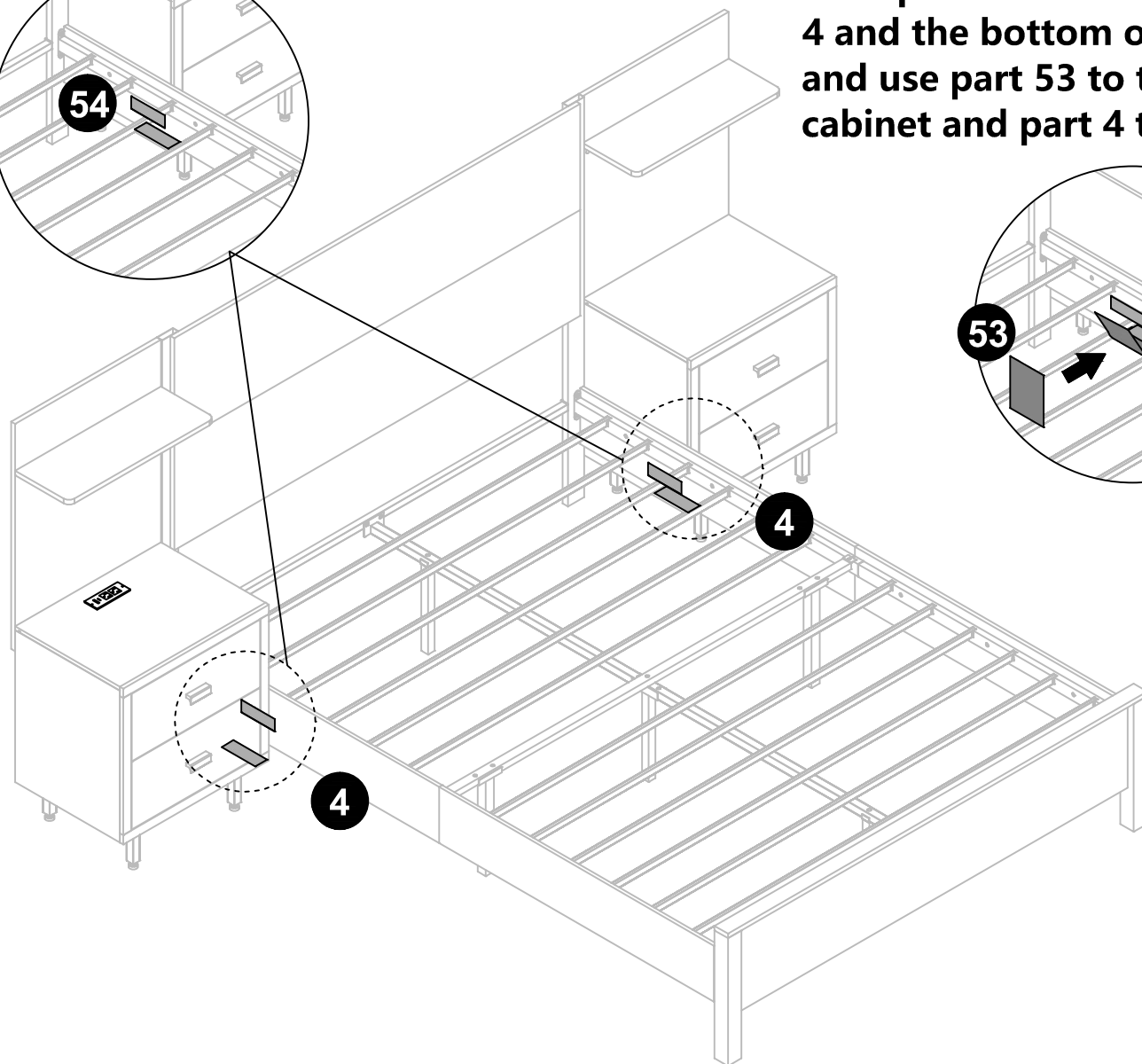
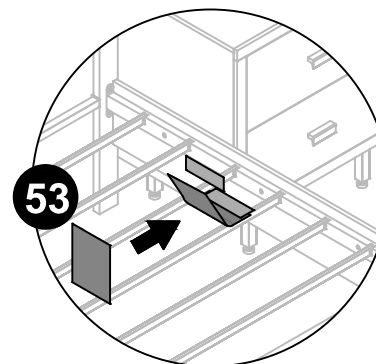
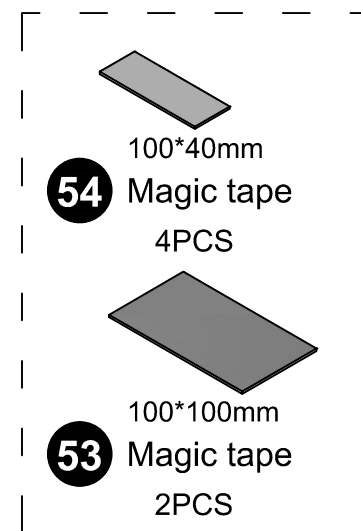
# Assembly Instruction



# Assembly Instruction

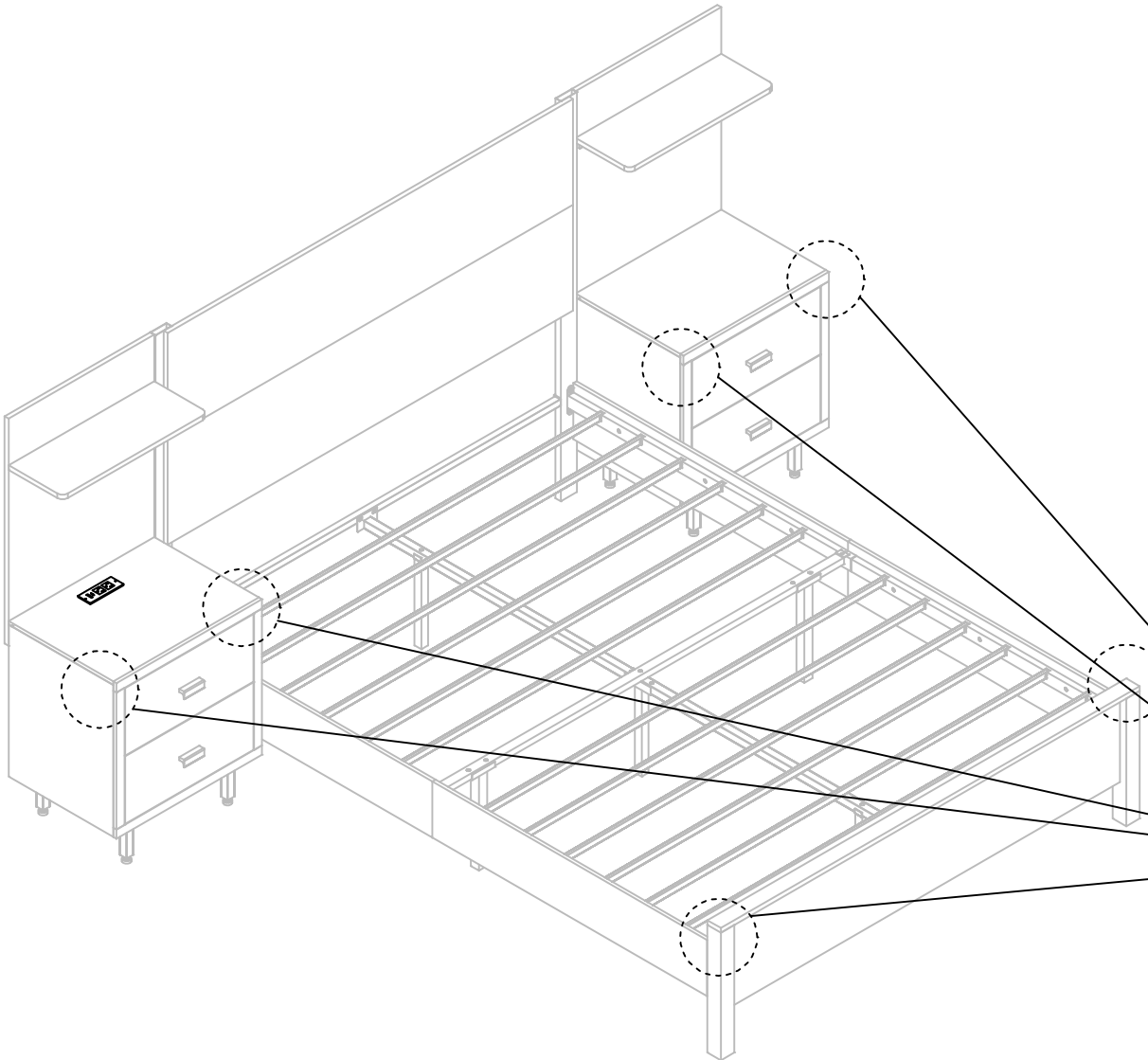


Stick part 54 onto the inside of part 4 and the bottom of the cabinet, and use part 53 to tightly stick the cabinet and part 4 together




First, stick part 54 onto the Magic tape at the bottom of the cabinet, then firmly pull and stick it onto the Magic tape of part 4

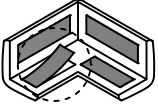

# Assembly Instruction



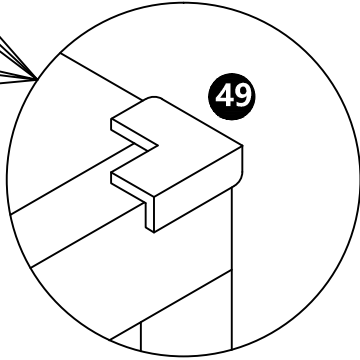
**Crash pads**



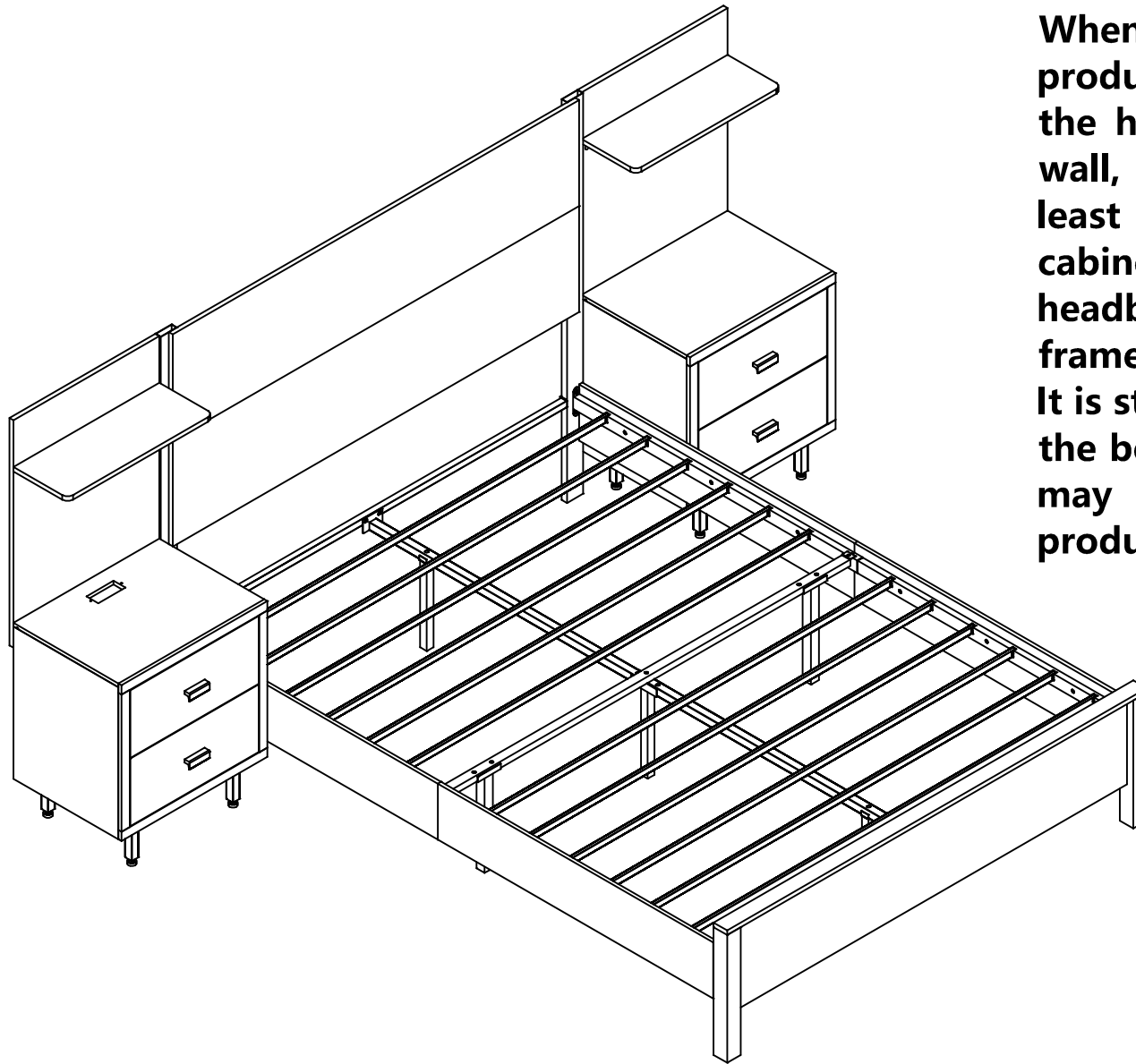
**49** 6PCS



Tear up the double-sided tape on **49** before installation



# Assembly Instruction



When moving the assembled product to a position where the headboard is against the wall, please ensure that at least three people lift both cabinets on either side of the headboard along with the bed frame.

It is strictly prohibited to push the bed frame directly, as this may cause damage to the product!

Installation Complete