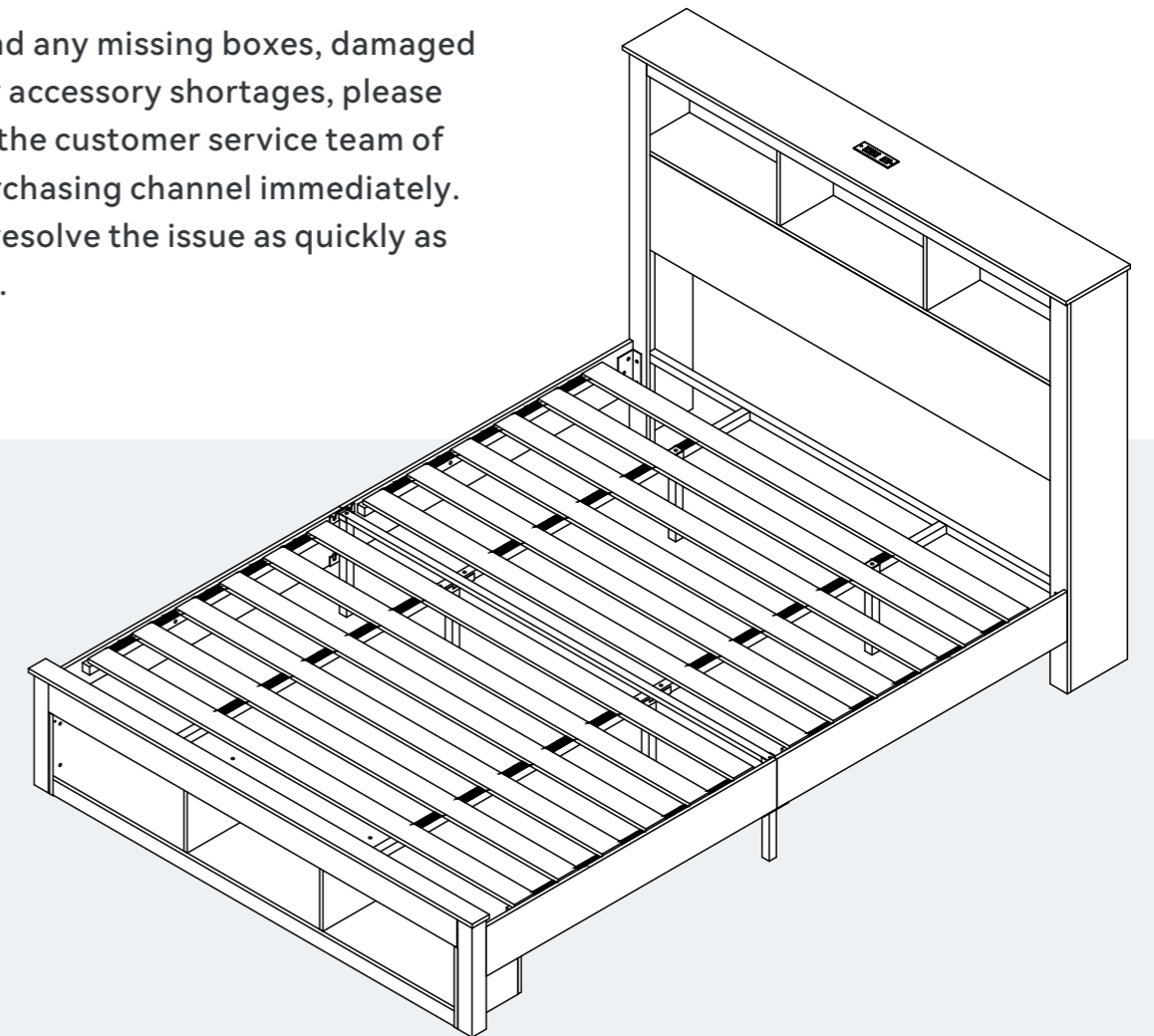


Bed

Assembly Instruction – Please keep properly for future reference.

If you find any missing boxes, damaged parts, or accessory shortages, please contact the customer service team of your purchasing channel immediately. We will resolve the issue as quickly as possible.



CONTACT US

- In order to receive assistance more quickly, please provide

THE FOLLOWING INFORMATION:

- Order number
- Purchase platform
- Purchase date
- Detailed description of the issue along with photos (if applicable)

Important – Please read these instructions carefully before starting the installation.

V1.0

EN

| Bed

Before Assembly



Thank you for choosing this product!

To ensure safe use and long-term maintenance, please read this manual carefully and keep it properly for future reference.

Important Notice:

- To ensure a smooth and successful installation, please read this guide carefully. It provides essential information about the required tools, materials, and assembly steps. Follow the instructions in each section to avoid any issues caused by improper installation.
- Please review all operational and safety guidelines to ensure proper and secure assembly.
- This guide reflects the most current product information available at the time of printing. We reserve the right to make changes to product features, packaging, or availability without prior notice.
- Before starting assembly, ensure that all necessary electrical and environmental preparations are completed.
- This manual contains important instructions regarding installation, cleaning, and maintenance. Please read it thoroughly and keep it for future reference.

Safety Warnings



1. Follow Warning Labels

Do not remove, alter, or obscure any warning labels on the product or packaging. Always adhere to the displayed safety instructions to ensure proper usage.

2. Conduct Regular Inspections

Periodically inspect all components to ensure they are properly installed, undamaged, and securely fastened. Report any issues to customer support immediately.

3. Practice Safe Usage

Avoid playing, jumping, or engaging in activities on or under the bed, as this may cause injury or structural damage.

4. Beware of Rope Hazards

Do not attach ropes, hooks, straps, or any non-designated accessories to any part of the bed, as this may pose a safety hazard.

5. Keep This Manual for Reference

Store this manual in a safe and accessible place for future reference.

6. Safety is a Shared Responsibility

Ensuring safety is a joint responsibility between the manufacturer and the user. Please follow all safety precautions during assembly and use.

Disclaimer

We are committed to delivering safe, high-quality, and reliable products to our customers. If you have any questions, concerns, or require further assistance, please contact our customer service team without hesitation.

Safety Instructions / Warnings



Please read and follow all instructions carefully before installation and use.

WARNING:

Risk of electric shock – Do not open or disassemble electrical parts.

- **Use only the power cord specifically provided for this product. Plug rating: 125V, 12A USB output: 5V, 2A.**
- Do not use with damaged power cords or plugs.
- Keep power cables away from moving or sharp parts of the furniture.
- Do not use extension cords or power strips unless specifically approved for the load.
- This product is **not a toy**. Do not allow children to play with electrical components or moving parts.
- Children under 8 years old must be kept away from the furniture unless continuously supervised.
- Keep remote controls, control switches, and ports out of children's reach.
- Always **disconnect the product from power** before cleaning, maintenance, or relocation.
- Do not attempt to open, modify, or repair electrical components.
- **Repairs must be performed by qualified professionals only.**
- Do not insert any foreign objects into openings or mechanisms.
- Clean with a dry cloth or a slightly damp soft cloth. Do not use solvents.
- This product is intended **for indoor** use only in dry environments.
- Do not expose the furniture to moisture, liquids, or direct sunlight.
- * Ensure stability and clearance around any moving parts (e.g., lift mechanisms, recliners).
- Do not overload power outlets or USB ports beyond the specified ratings.
- **Always unplug the product when it is not in use.**

FCC Information:

CAUTION: Changes or modifications not expressly approved by the party responsible for compliance could void the user's authority to operate the equipment!

This device complies with Part 15 of the FCC Rules. Operation is subject to the following two conditions:

- 1) This product may cause harmful interference.
- 2) This product must accept any interference received, including interference that may cause undesired operation.

WARNING: Changes or modifications to this product not expressly approved by the party responsible for compliance could void the user's authority to operate the product.

Note: This product has been tested and found to comply with the limits for a Class B digital device pursuant to Part 15 of the FCC Rules. These limits are designed to provide reasonable protection against harmful interference in a residential installation.

This product generates, uses and can radiate radio frequency energy, and if not installed and used in accordance with the instructions, may cause harmful interference to radio communications. However, there is no guarantee that interference will not occur in a particular installation. If this product does cause harmful interference to radio or television reception, which can be determined by turning the product off and on, the user is encouraged to try to correct the interference by one or more of the following measures.

- Reorient or relocate the receiving antenna.
- Increase the distance between the product and receiver.
- Connect the product to an outlet on a circuit different from that to which the receiver is connected.
- Consult the dealer or an experienced radio/TV technician for assistance.

Maintenance and Care Recommendations



1. Regular Cleaning

To maintain hygiene and prevent bacterial growth, clean the product regularly. Use a damp, well-wrung cloth to avoid excess moisture and prevent surface scratches.

2. Prevent Corrosion

Keep the product away from acidic or alkaline substances, as they may cause corrosion or damage to the materials.

3. Use Only Authorized Replacement Parts

Do not use unauthorized or third-party replacement parts, as they may compromise the product's safety and durability. If a replacement is needed, contact the manufacturer or an authorized dealer for approved parts.

4. Cleaning Precautions

Do not machine wash or rinse any part of the product directly with water, as this may damage the materials and reduce product lifespan.

5. Prevent Pests

Keep wooden furniture away from damp or humid areas to prevent pest infestations and wood damage. Use a dehumidifier or air conditioner during humid seasons to maintain a dry environment.

6. Protect from Sunlight

Avoid placing furniture in direct sunlight, as prolonged exposure may cause cracking, discoloration, or fading. If sunlight exposure is unavoidable, use curtains or shades to minimize damage.

7. Keep Away from Fire

Position furniture away from heat sources and open flames to prevent damage and maintain its condition.

8. Perform Regular Care

Apply furniture oil periodically to maintain the wood's shine, prevent cracks, and extend its lifespan.

9. Clean Frequently

Regularly vacuum dust and debris, especially underneath furniture, to keep it clean and hygienic.

10. Maintain a Dry Environment

Ensure good ventilation to prevent moisture buildup, which can damage wood. Use a dehumidifier if necessary to protect the furniture.

11. Avoid Corrosive Liquids

Keep furniture away from acidic or alkaline substances, as these can damage the surface and reduce durability.

12. Use a Damp Cloth for Cleaning

Wipe furniture with a well-wrung damp cloth to prevent water damage or swelling. Avoid excessive moisture exposure.

13. Limit Sun Exposure

Excessive sunlight can dry out and weaken wood. Position furniture in shaded areas or use UV-blocking curtains to protect it from damage.

Customer Service Guide



Thank you for choosing our product! We are committed to providing you with excellent service. If you find any missing parts, damaged packaging, or product damage after receiving all packages, please follow the steps below to quickly contact our customer service team. We will do our best to resolve your issue.

1. Missing Parts

Verify Parts:

1. Refer to the “Parts List” in the manual to verify the name, specifications, and quantity of the missing parts.
2. Take a clear photo of the parts list and mark the missing parts with detailed information, e.g., “Missing 5 pieces of M6×30mm screws.”

Contact Us:

By Email:

Send an email with the subject line “Missing Parts Issue.” Include the following in the email:

- A description of the missing parts and a photo of the parts list.
- Order details (order number, purchase platform, purchase date).

2. Product or Packaging Damage

If it affects normal use:

Steps:

1. Take clear photos or videos showing the damaged parts and the extent of the damage (multi-angle shots are recommended).
2. Email the photos/videos along with order details, with the subject line “Product Damage Issue.”

Resolution:

After verification, we will arrange for a replacement part, product exchange, or refund as quickly as possible.

If it does not affect normal use:

Steps:

1. Contact our customer service team.
2. Provide a description of the damage and include relevant photos or videos.

Resolution:

We will provide repair guidance or an appropriate compensation plan based on the specific situation.

Helpful Tips

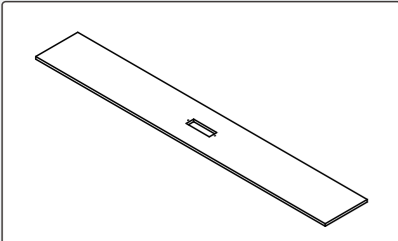
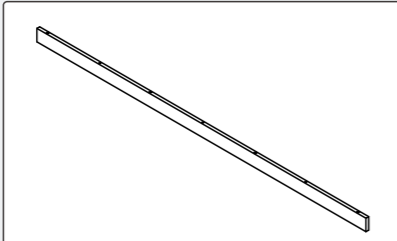
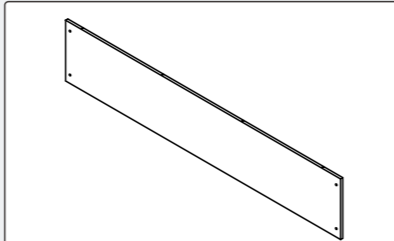
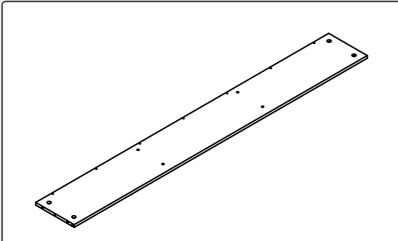
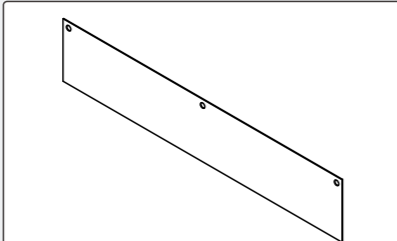
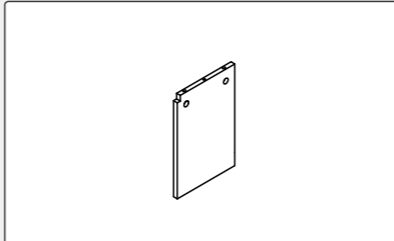
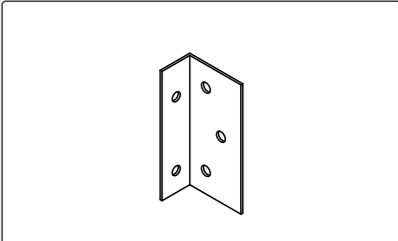
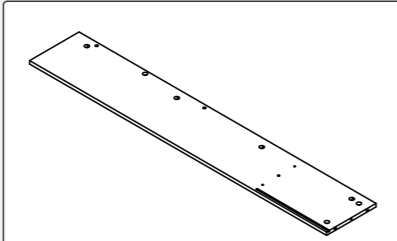
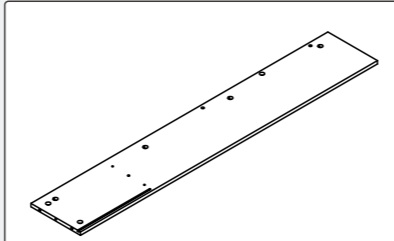
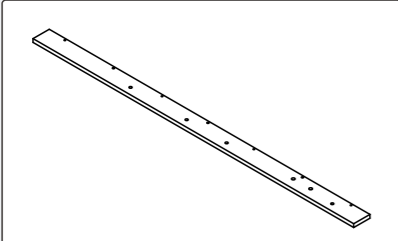
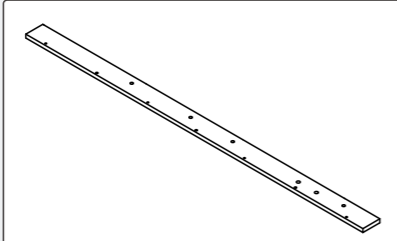
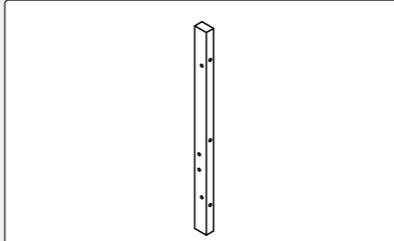
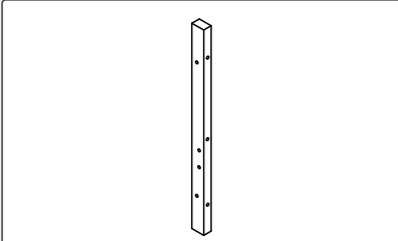
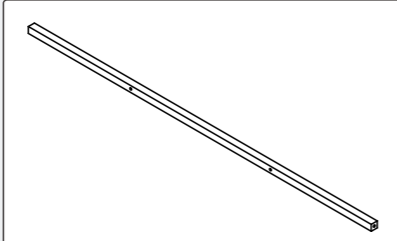
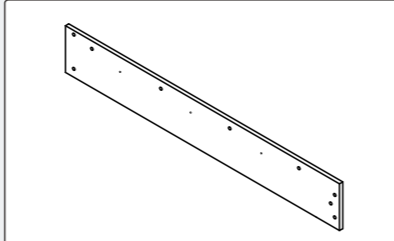
To process your issue efficiently, please prepare the following information:

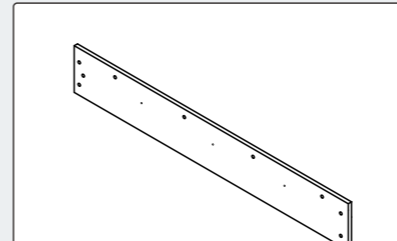
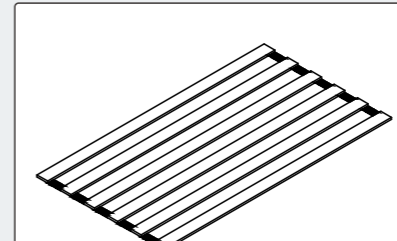
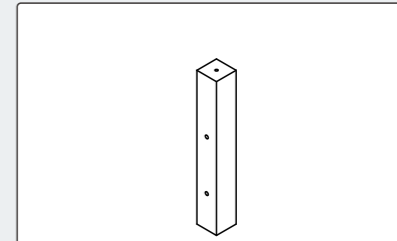
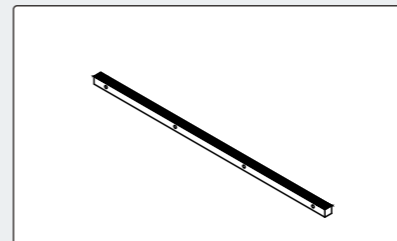
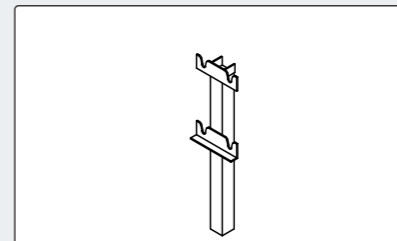
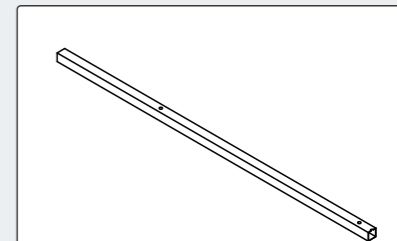
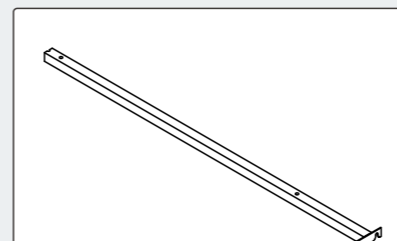
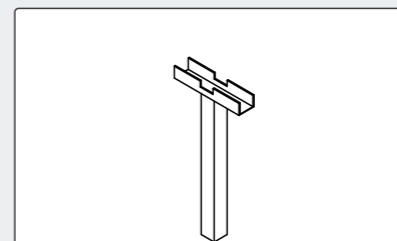
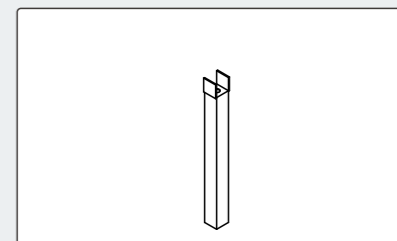
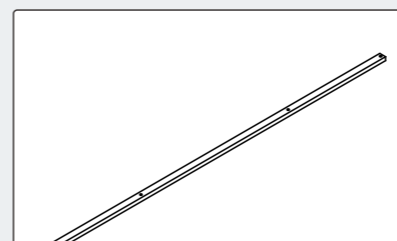
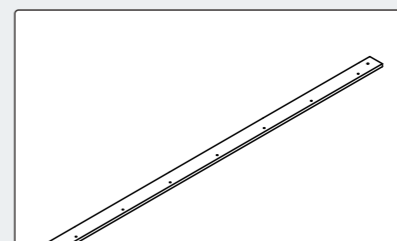
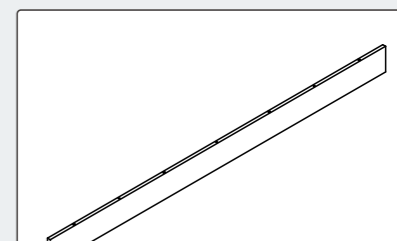
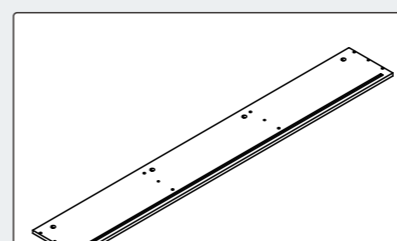
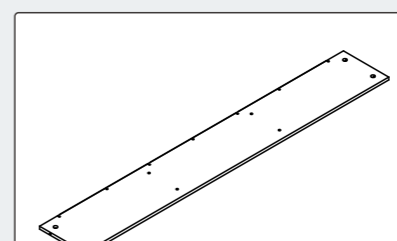
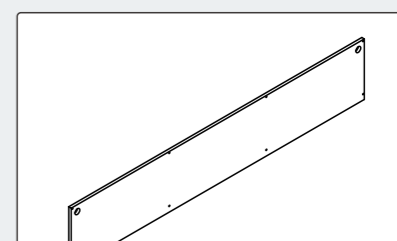
- Order details (order number, purchase platform, purchase date).
- Clear photos or videos.
- We are committed to providing quick and professional solutions, no matter the size of the issue, to ensure your satisfaction.

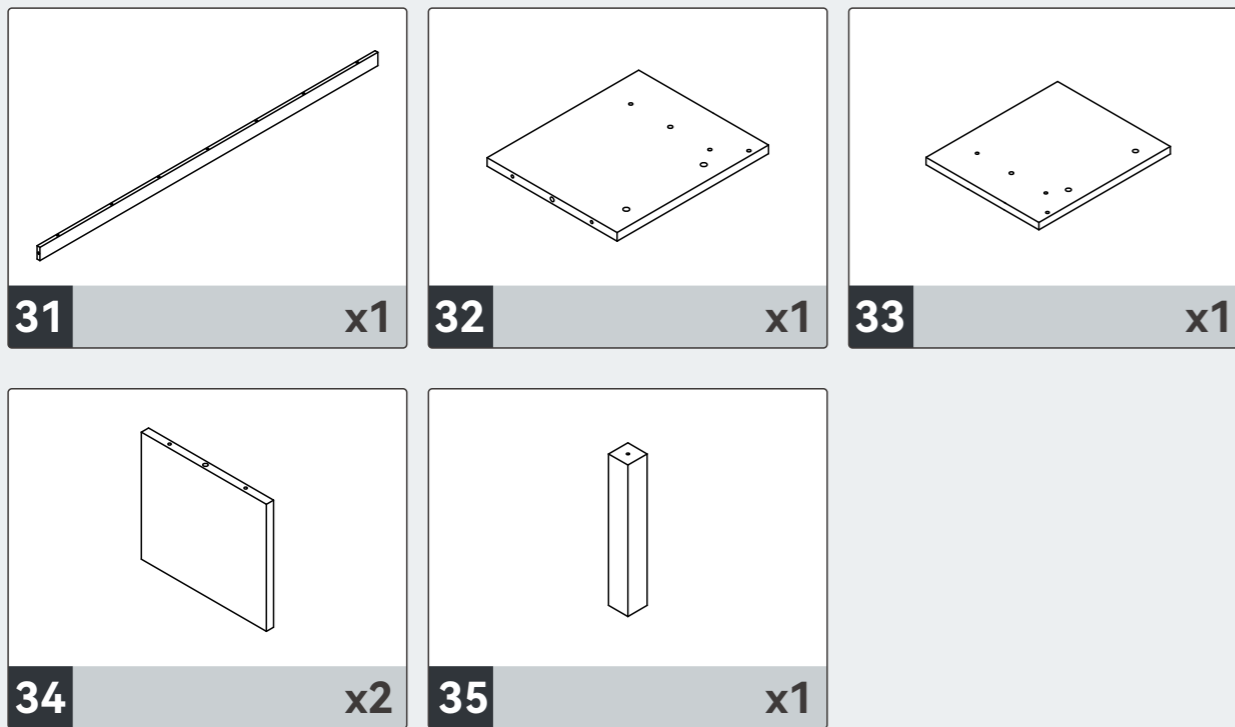
Thank you for your trust and support!
We hope you enjoy using our product!

Parts List



		
1 x1	2 x1	3 x1
		
4 x1	5 x1	6 x2
		
7 x4	8 x1	9 x1
		
10 x1	11 x1	12 x1
		
13 x1	14 x1	15 x2

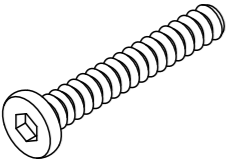
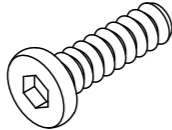
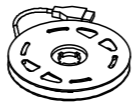

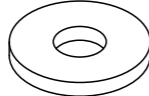
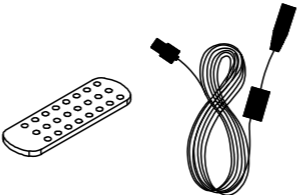
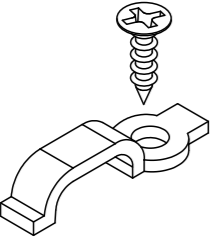
		
16 x2	17 x2	18 x1
		
19 x4	20 x2	21 x2
		
22 x2	23 x2	24 x4
		
25 x1	26 x1	27 x1
		
28 x1	29 x1	30 x1

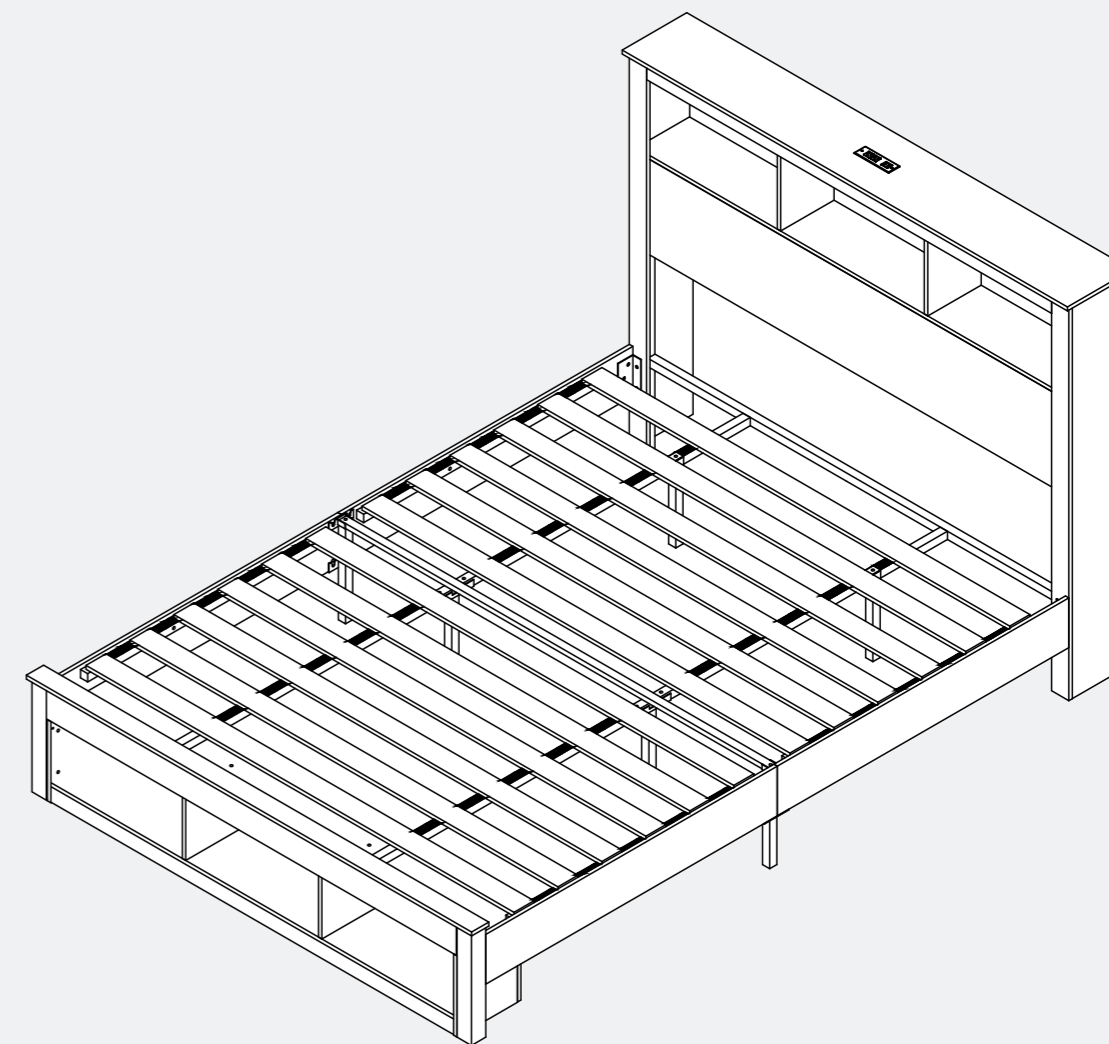


Hardware List

		
A Ø6*40mm Ø1/4*1-37/64" x52+2	B Ø15*10mm Ø19/32*25/64" x52+2	C Ø6*30mm Ø1/4*3/16" x43+2
		
D M5*40mm Ø13/64*1-37/64" x16+1	E M6*20mm Ø1/4*3/16" x8+1	F M8*55mm Ø5/16*1-31/32" x6+1
		
G M6*35mm Ø1/4*1-3/8" x20+2	H x1	I M3.5*12mm Ø9/64*15/32" x2+1
		
J M3.5*16mm Ø13/64*1-37/64" x10+1	K M8*35mm Ø5/16*1-3/8" x10+1	L M6*12mm Ø1/4*15/32" x28+2
		
M M5 Ø13/64" x1	N M4 Ø5/32" x1	O M3 Ø1/8" x1

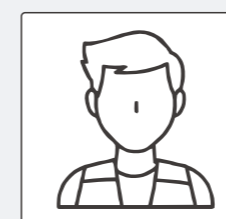
Hardware List

		
P Ø6*50mm Ø1/4*1-37/64" x4+1	Q M8*40mm Ø5/16*25/64" x4+1	R x1
		
S x1	T Ø6*16mm Ø1/4*3/16" x24+2	U x1
		
V x6		

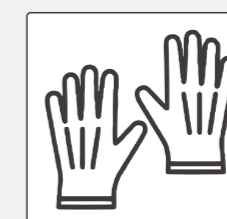
**Important:**

In each of the previous steps, tighten all screws to approximately 70% to stabilise the overall frame during assembly. Do not fully tighten any screws until the final step is completed.

Tools & Equipment



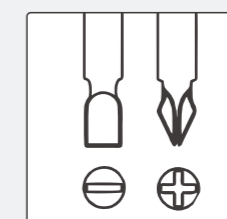
2 people needed



Work gloves

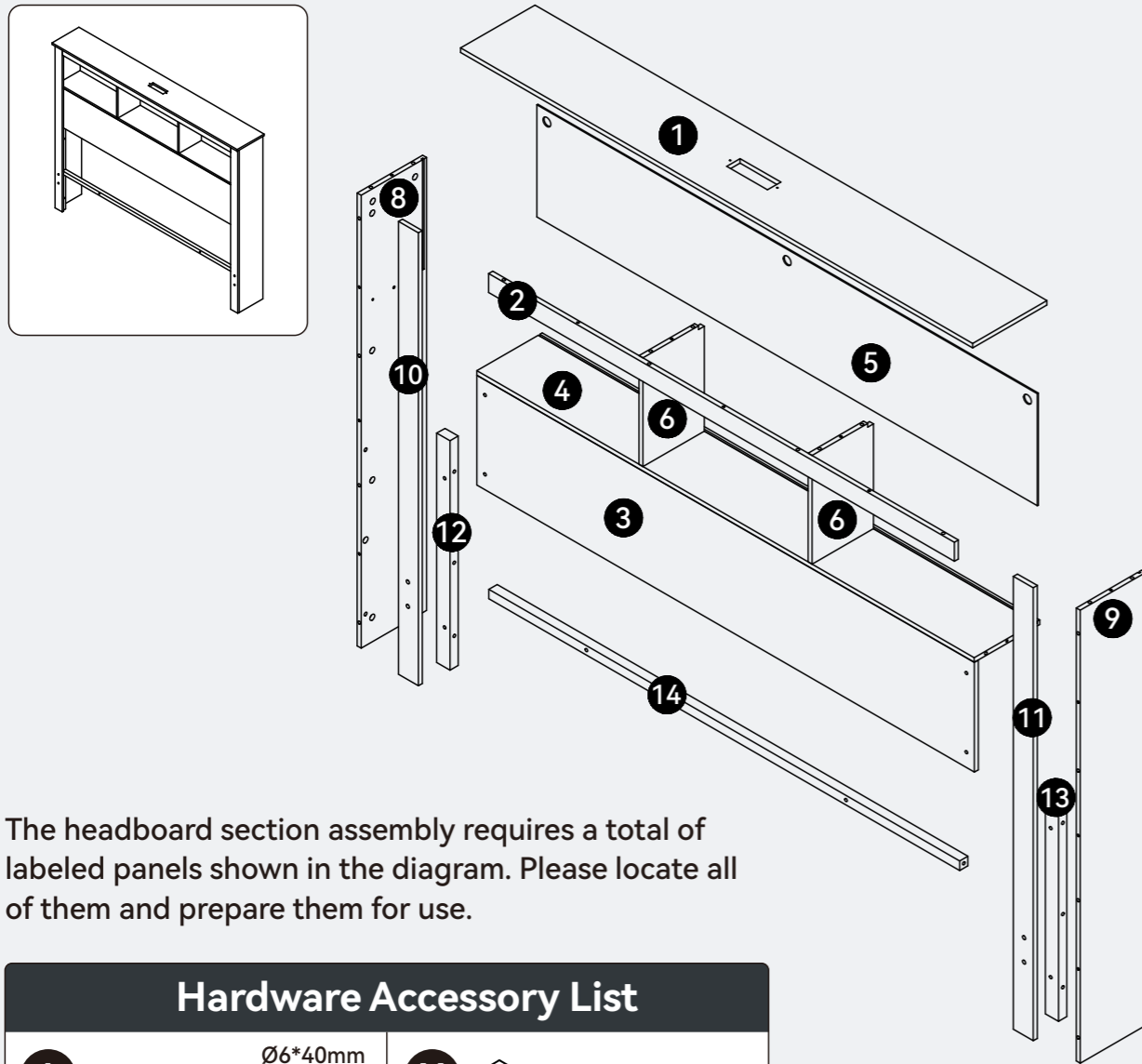


Tape measure



Other Tools Required
Phillips Screwdriver
(Not Included)

Headboard Section Installation



The headboard section assembly requires a total of labeled panels shown in the diagram. Please locate all of them and prepare them for use.

Hardware Accessory List

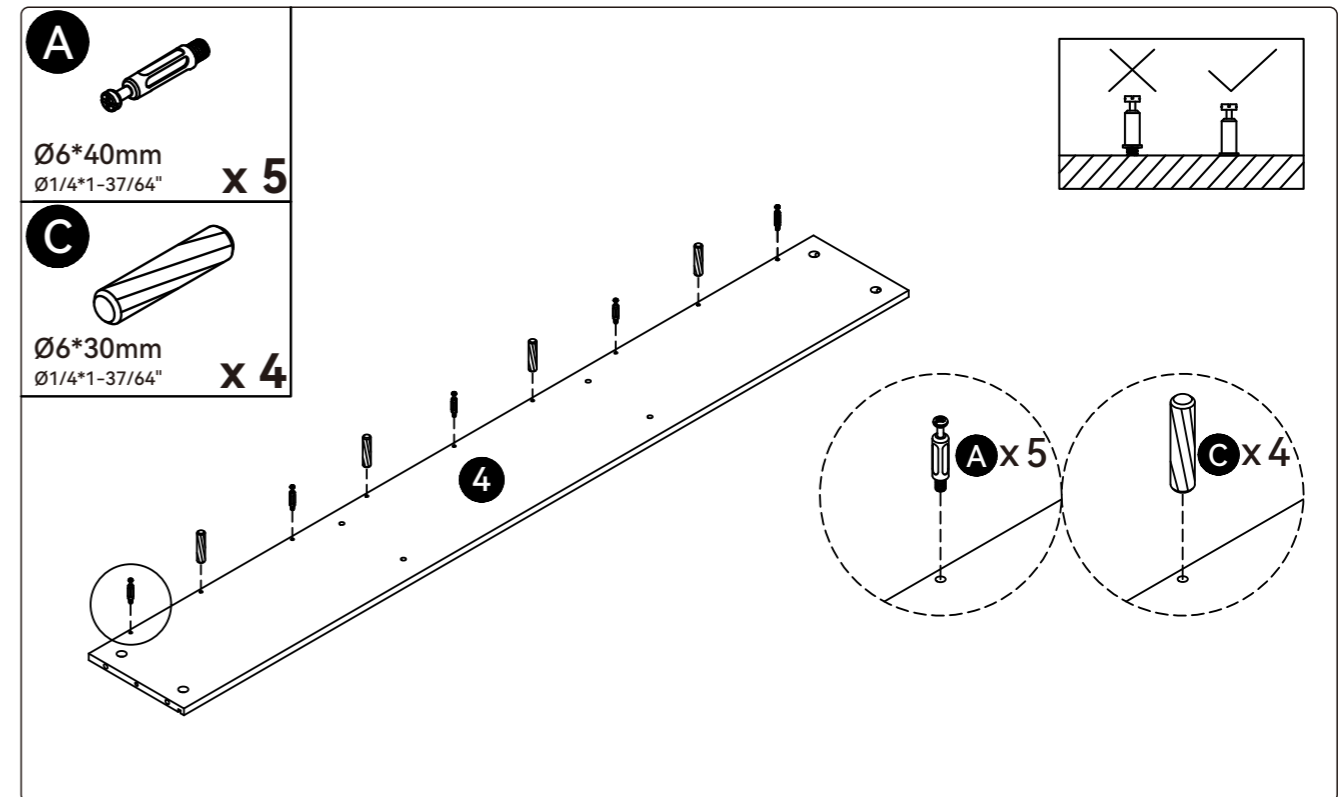
A	Ø6*40mm X 30	H	X 1
B	Ø15*10mm X 30	I	M3.5*12mm X 2
C	Ø6*30mm X 22	P	Ø6*55mm X 4
D	M5*40mm X 4	G	M6*35mm X 4
E	M6*20mm X 4	R	X 1
F	M8*55mm X 2	T	Ø6*16mm X 8

Note:

Ensure all hardware components are accounted for before beginning assembly. Missing or damaged hardware should be reported to customer service for replacement.

Step 1

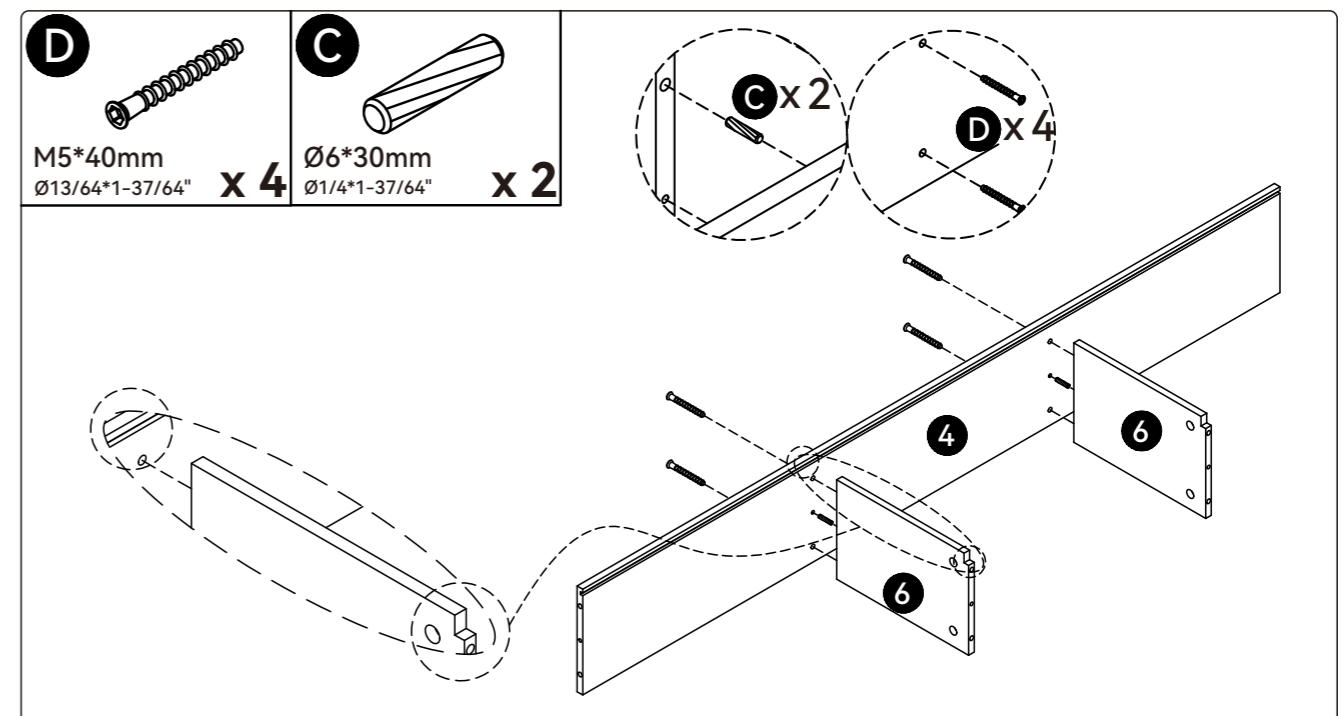
Headboard Section



Attach (A) and (C) to Panel 4.

Step 2

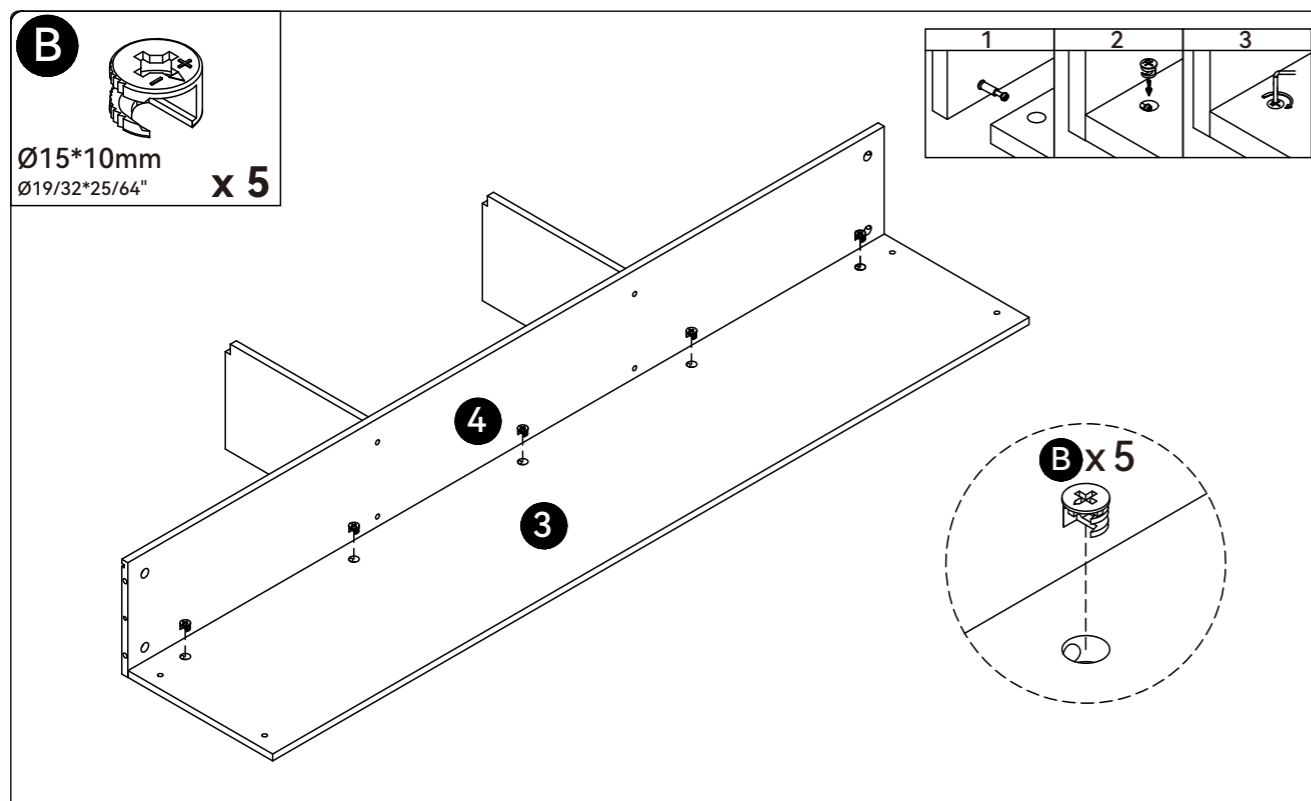
Headboard Section



1. Attach (C) to Panel 6.
2. Attach Panel 6 to Panel 4, tighten with (D).

Step 3

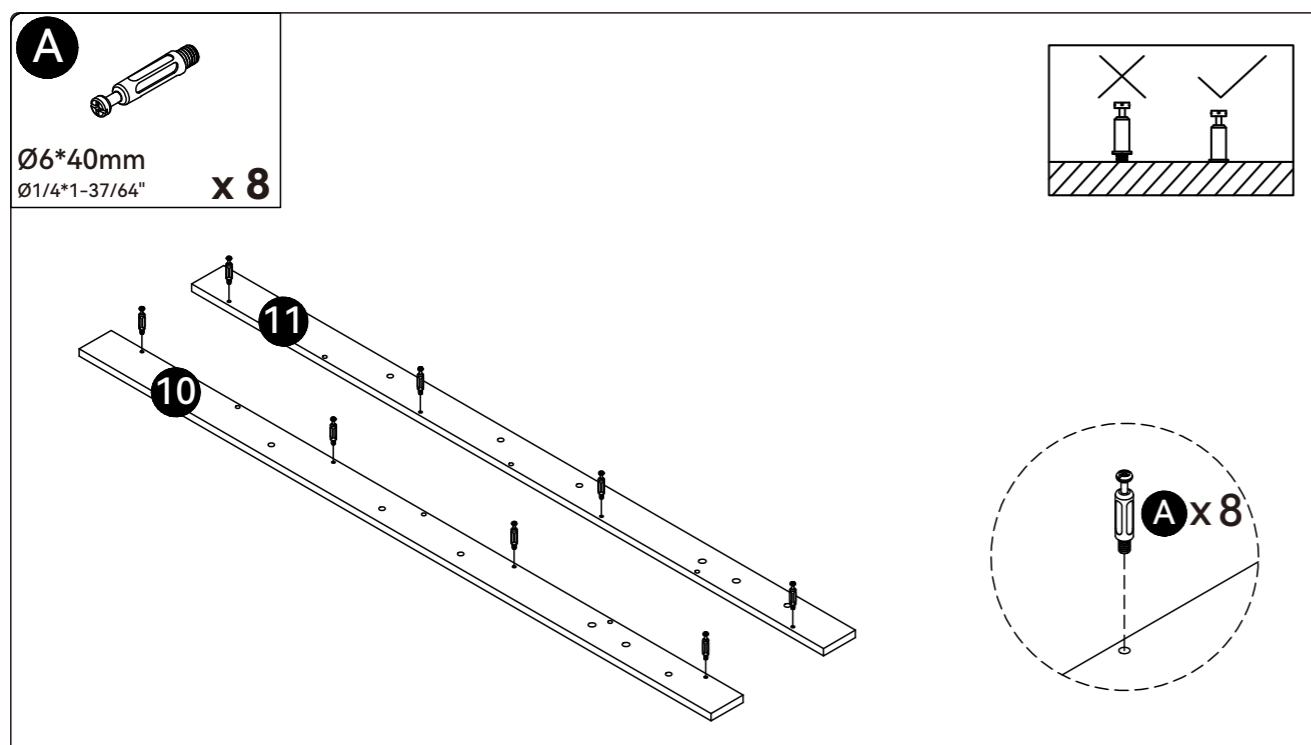
Headboard Section



Attach Panel 3 to Panel 4, tighten with (B).

Step 4

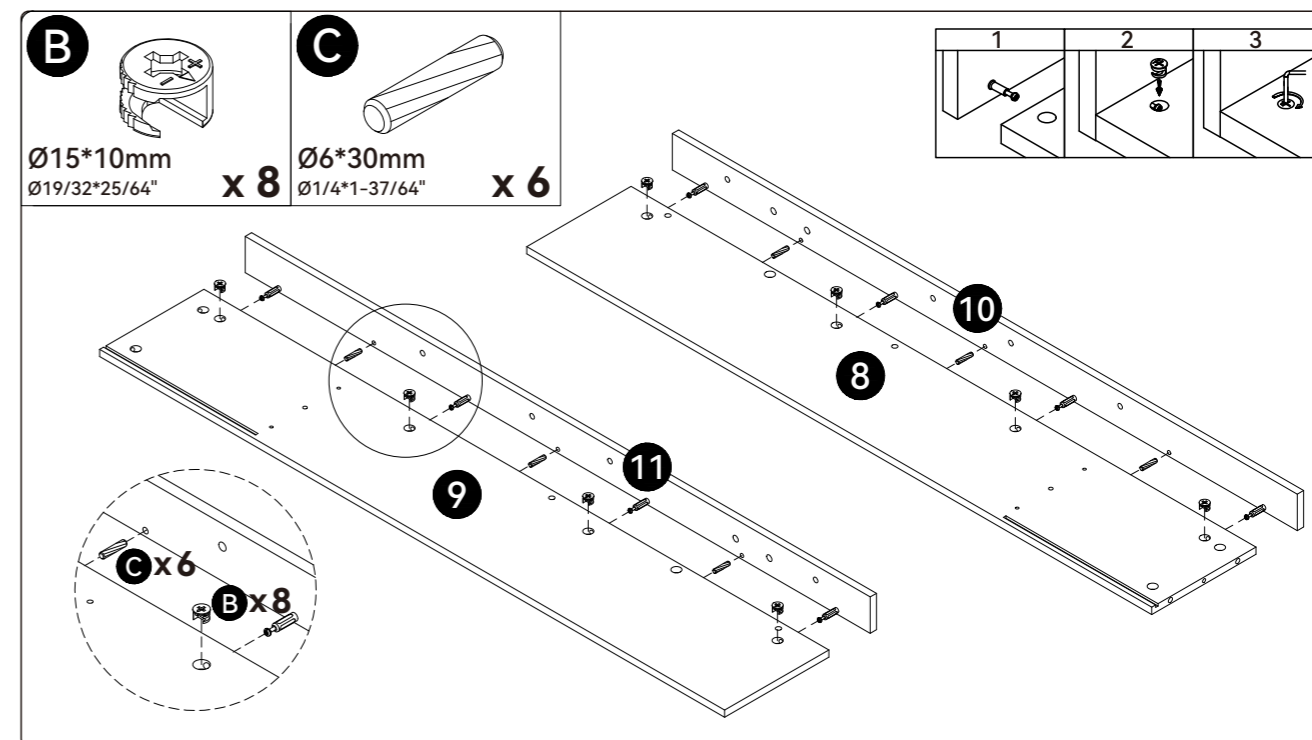
Headboard Section



Attach (A) to Panels 10 and 11.

Step 5

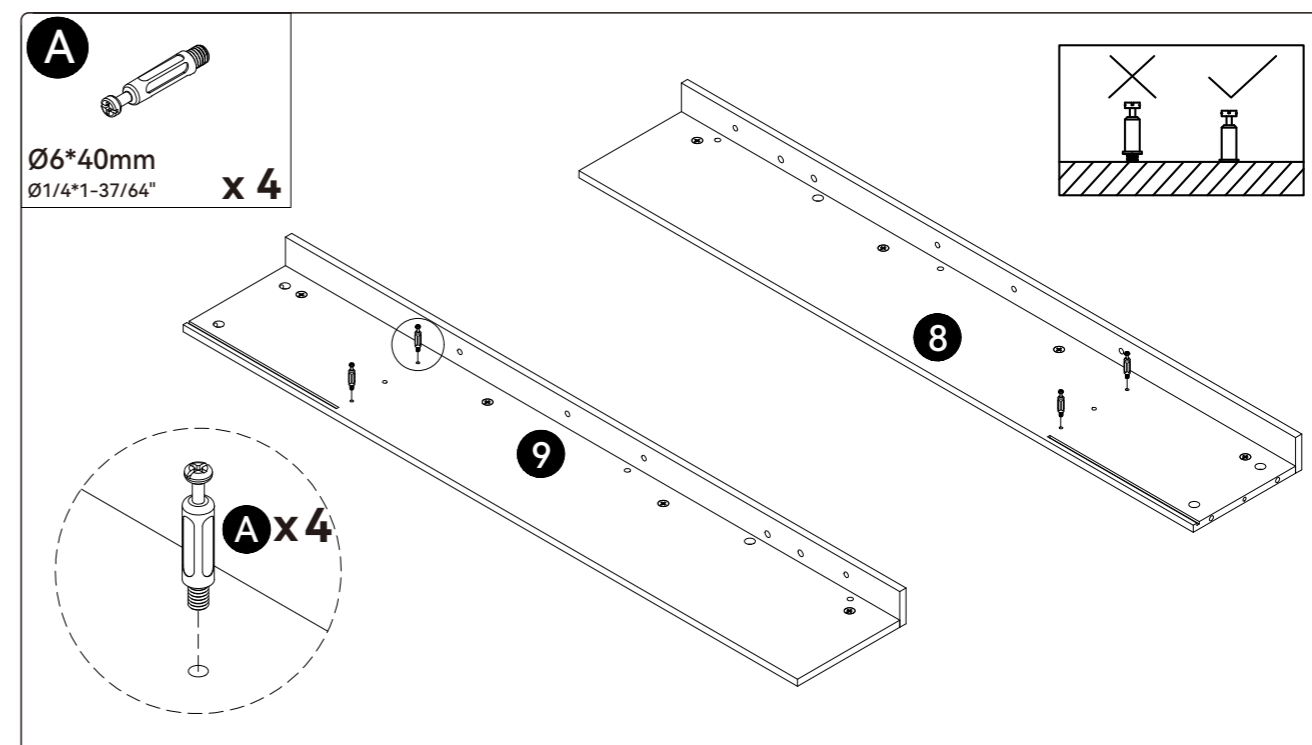
Headboard Section



1. Attach (C) to Panels 10 and 11.
2. Attach Panel 11 to Panel 9, tighten with (B).
3. Attach Panel 10 to Panel 8, tighten with (B).

Step 6

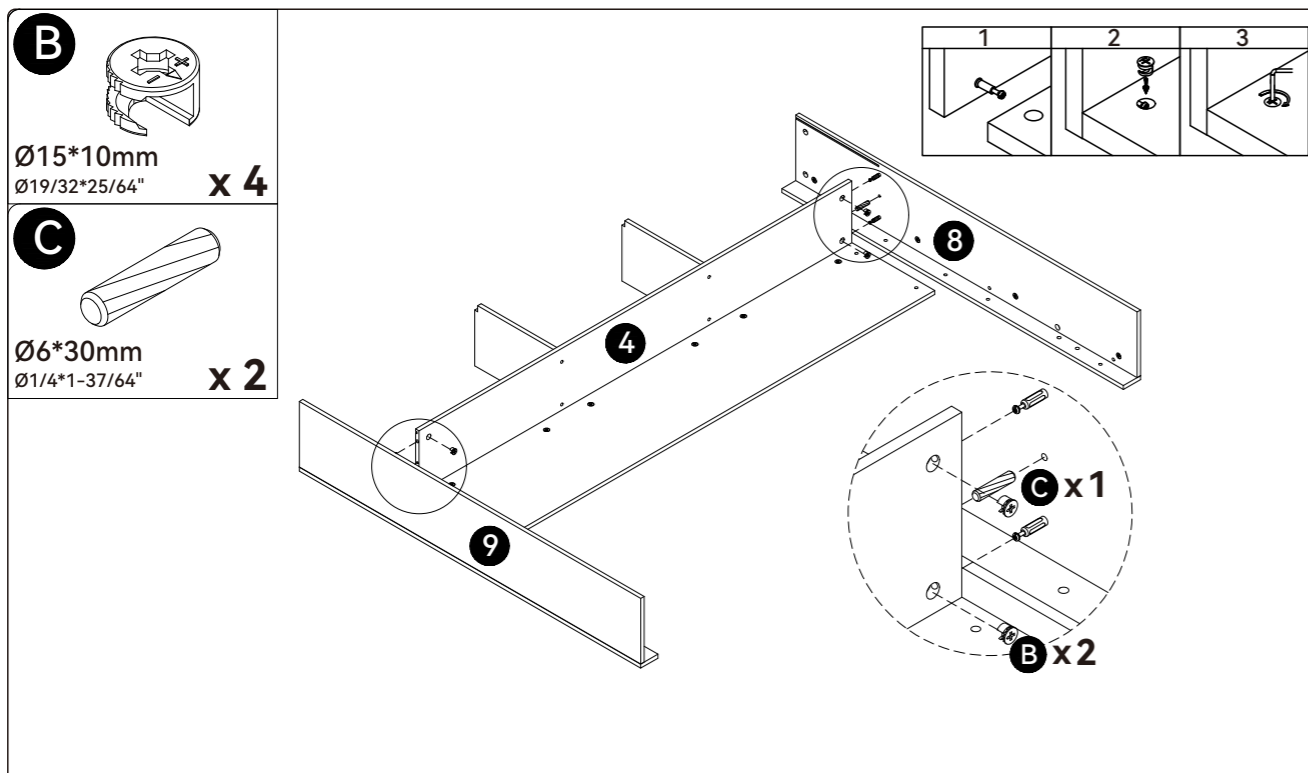
Headboard Section



Attach (A) to Panels 8 and 9.

Step 7

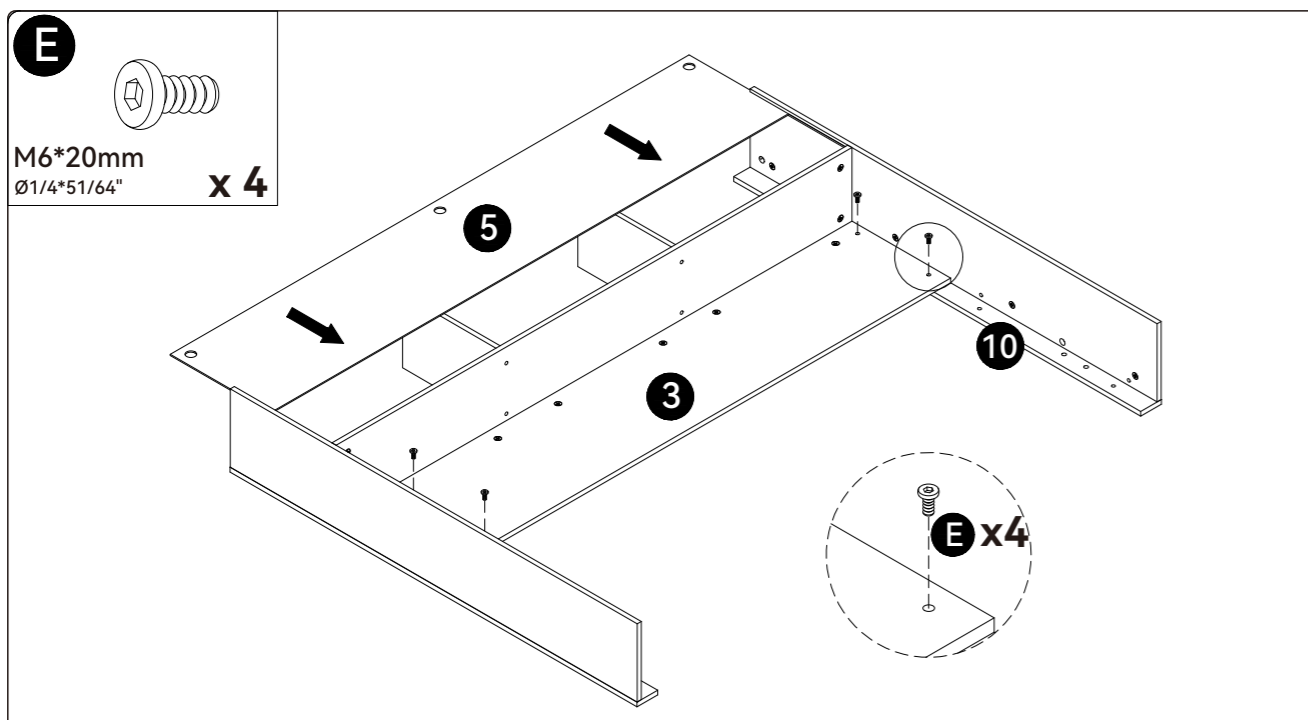
Headboard Section



1. Attach (C) to Panels 8 and 9.
2. Attach Panels 8 and 9 to Panel 4, tighten with (B).

Step 8

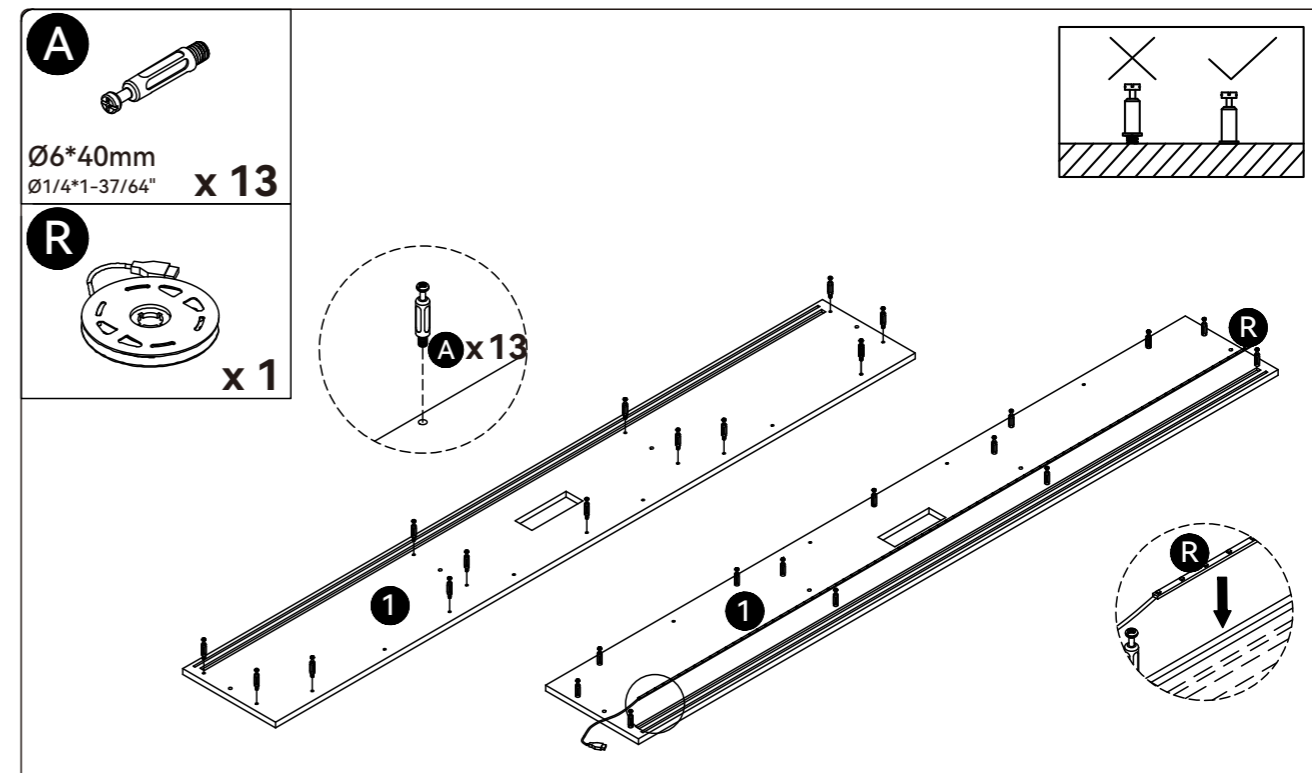
Headboard Section



1. Attach Panel 3 to Panels 10 and 11, tighten with (E).
2. Place Panel 5 into position as shown.

Step 9

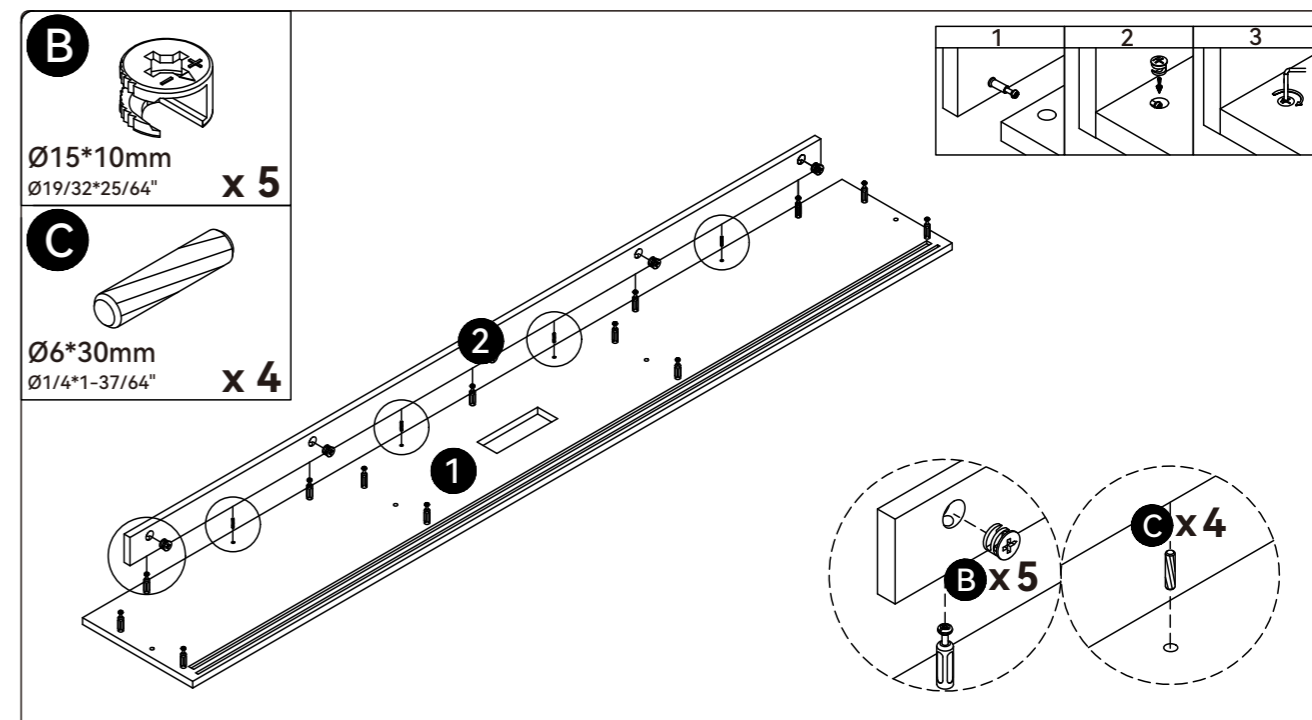
Headboard Section



1. Attach (A) to Panel 1.
2. Attach (R) inside the slot of Panel 1.

Step 10

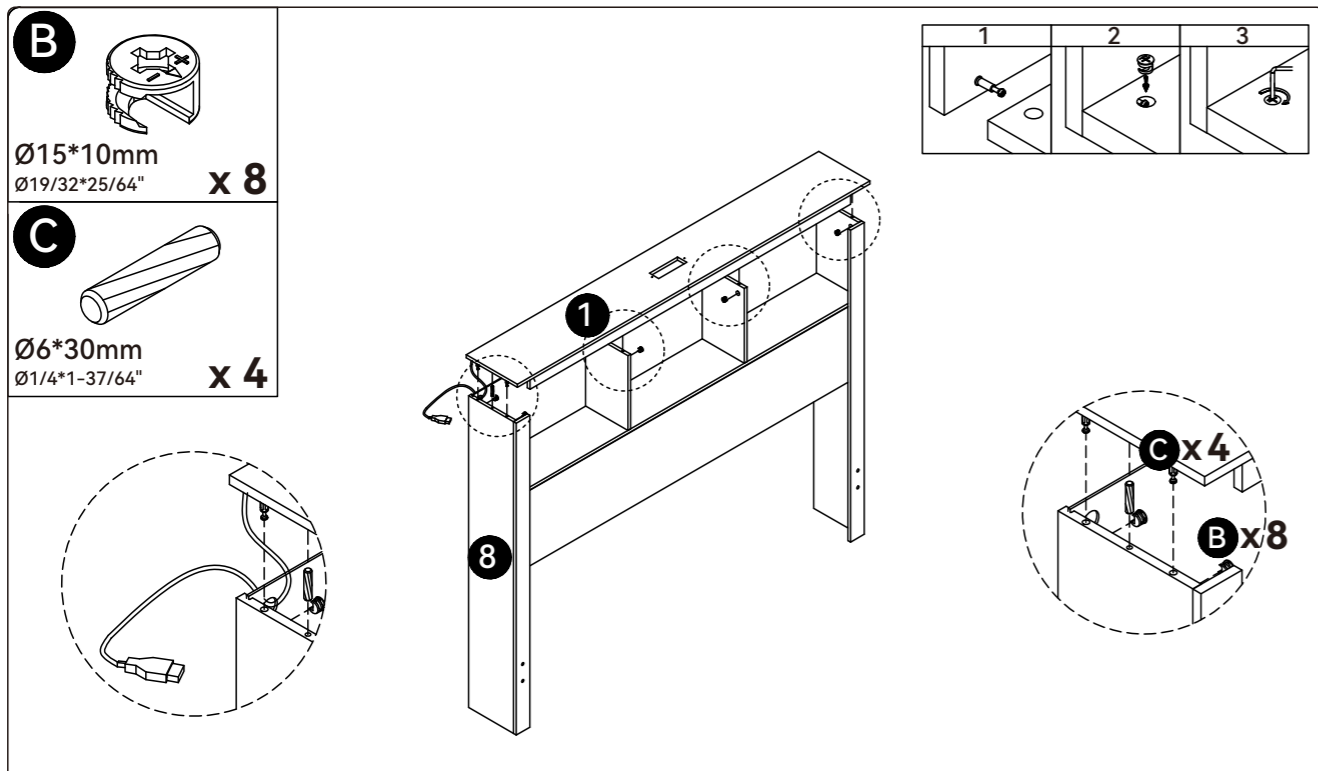
Headboard Section



1. Attach (C) to Panel 2.
2. Attach Panel 2 to Panel 1, tighten with (B).

Step 11

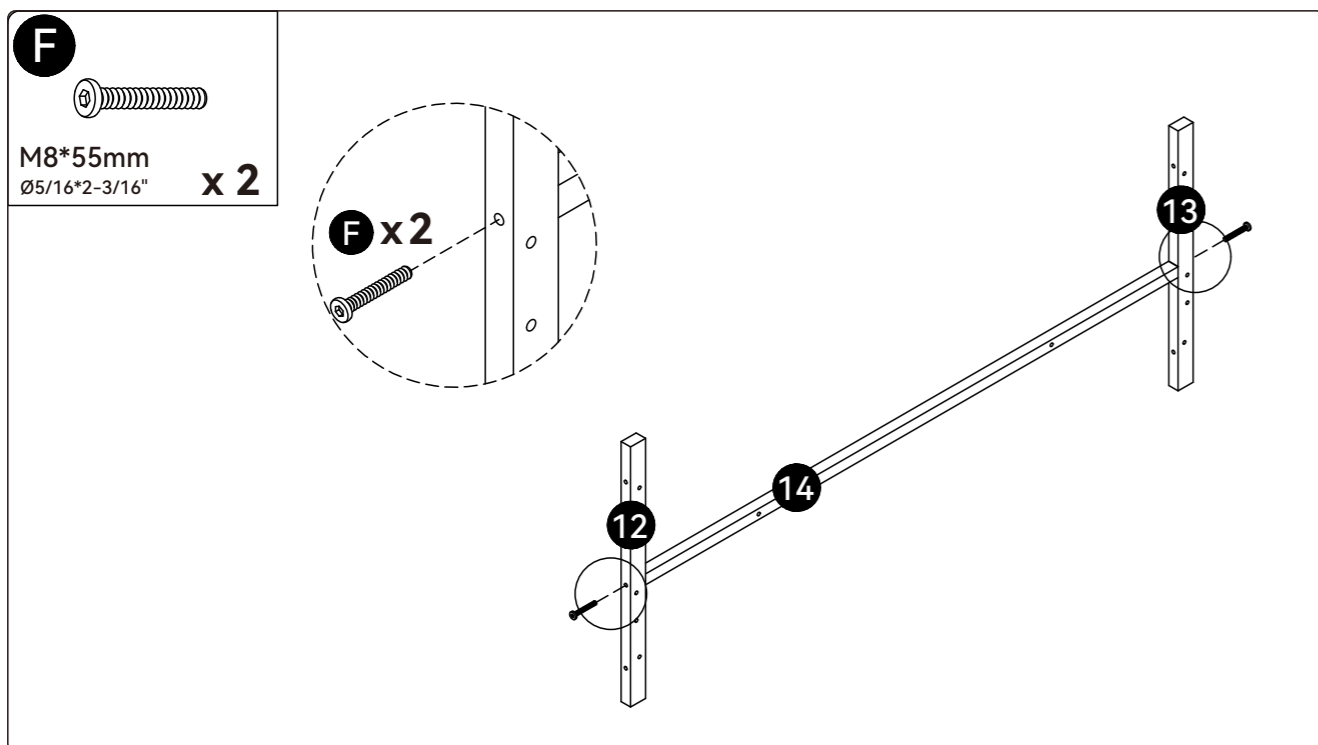
Headboard Section



1. Attach (C) to Panel 1.
2. Install Panel 1 into the position shown, tighten with (B).

Step 12

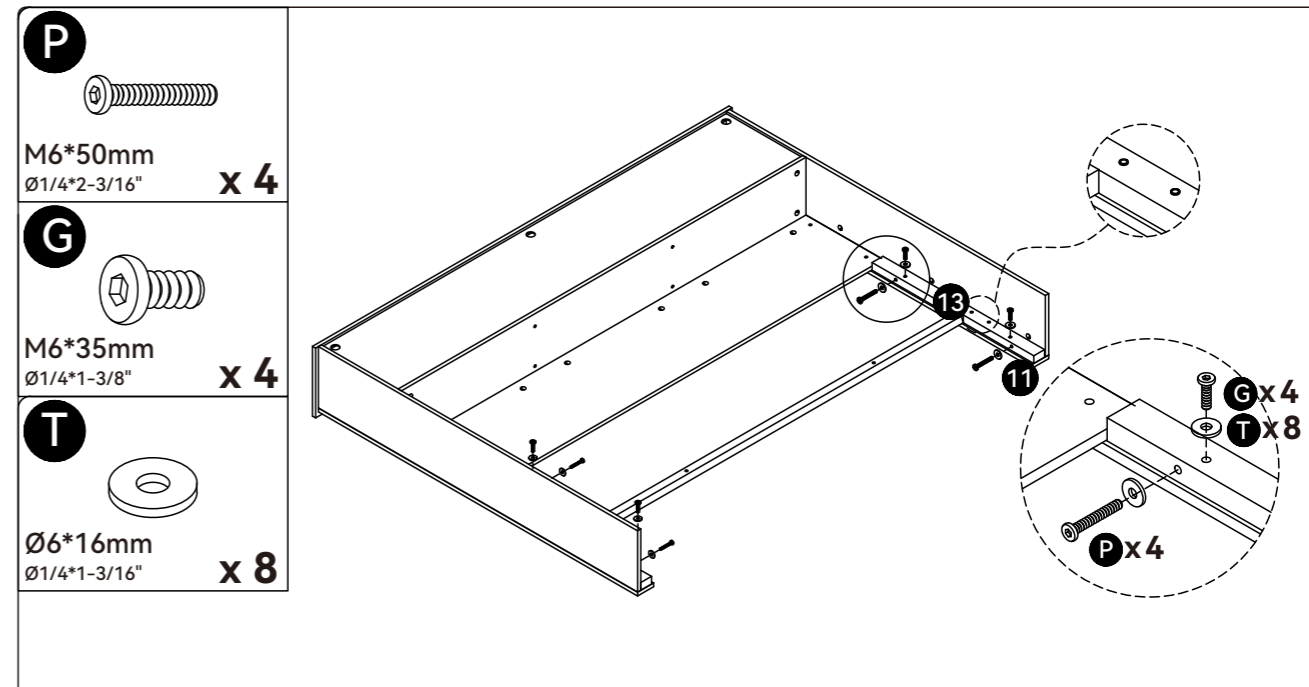
Headboard Section



Attach Panels 12 and 13 to Panel 14, tighten with (F).

Step 13

Headboard Section



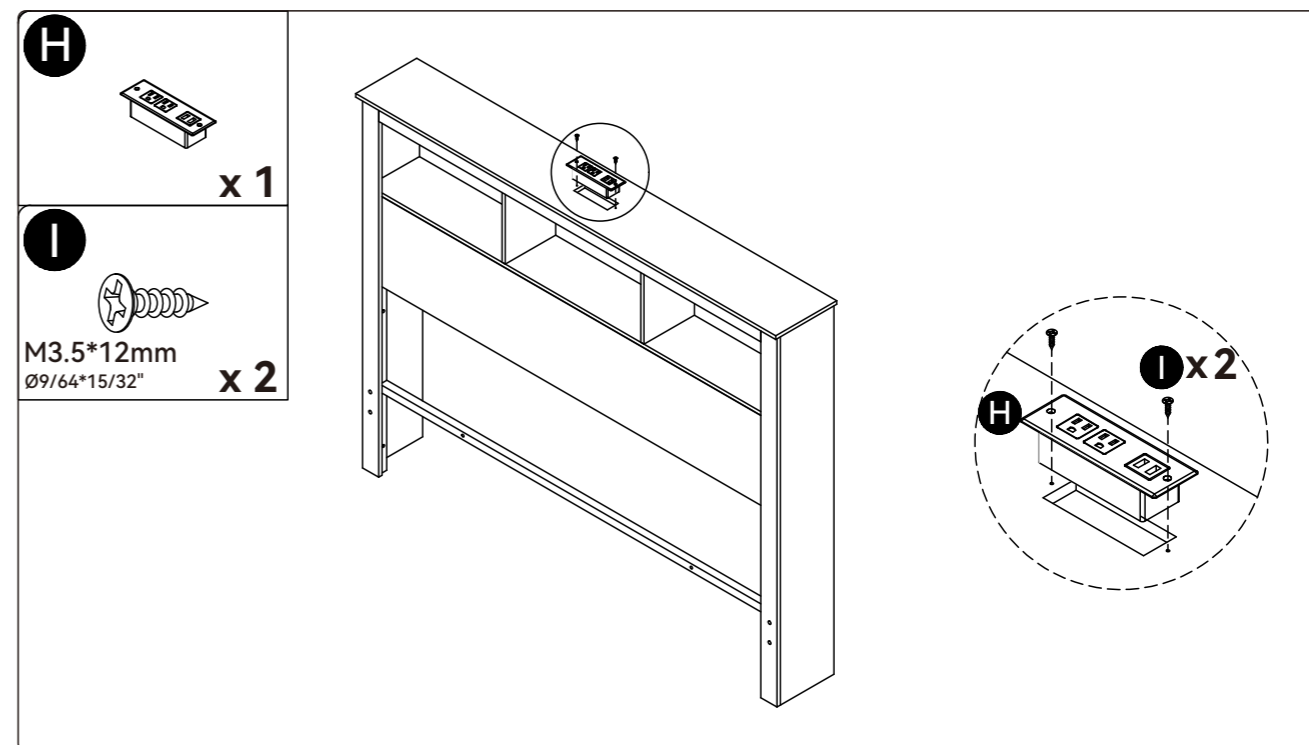
Place the assembled unit from Step 12 into the bed frame as shown, tighten with (G) and (P).

Note:

The rivets on Panels 12 and 13 (the raised parts) must face upward.

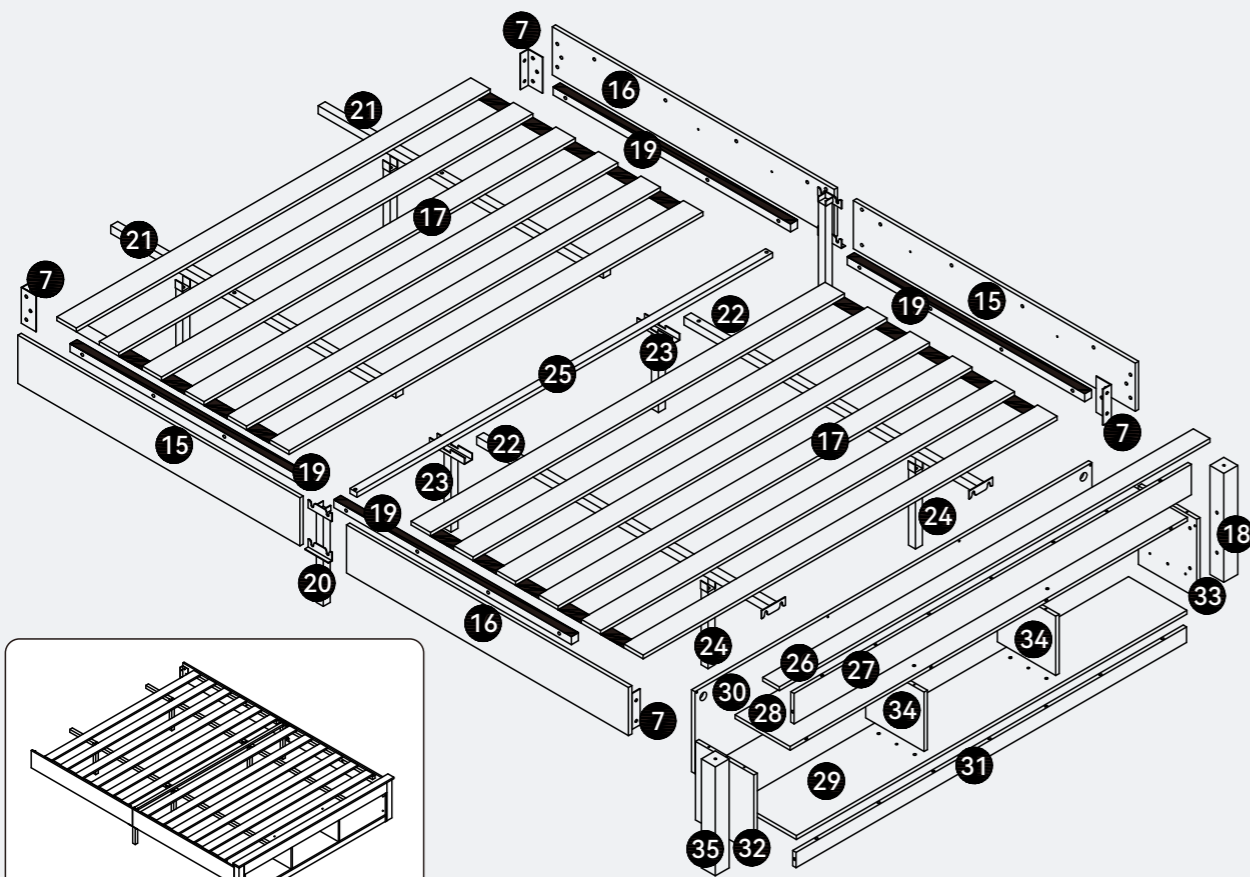
Step 14

Headboard Section



Attach (H) to Panel 1, tighten with (I).

Frame Parts Section Installation



Hardware Accessory List

A	Ø6*40mm X 22	G	M6*35mm X 20
B	Ø15*10mm X 22	J	M3.5*16mm X 10
C	Ø6*30mm X 21	K	M8*35mm X 10
D	M5*40mm X 12	L	M8*12mm X 28
E	M6*20mm X 4	T	Ø6*16mm X 16
F	M8*55mm X 4	Q	M8*40mm X 4
V	X 6		

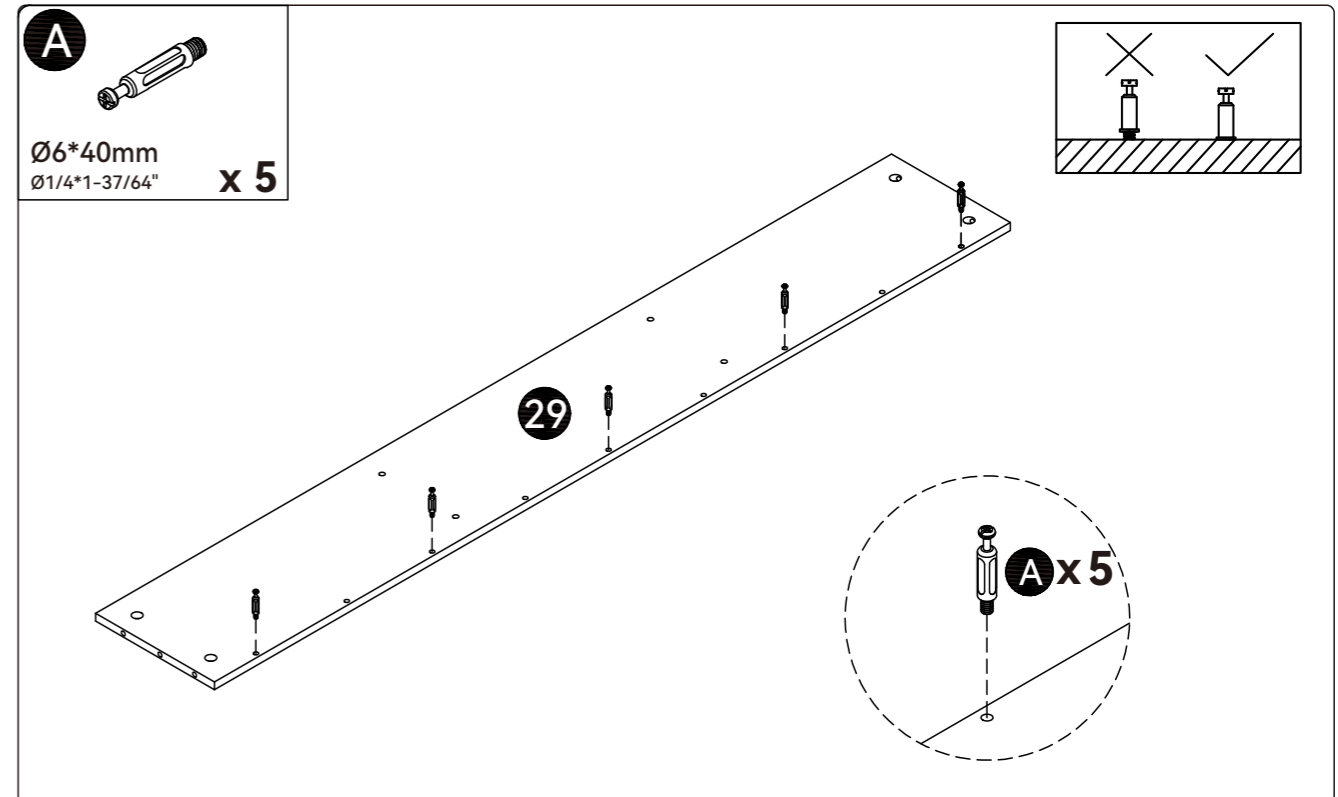
The frame parts section assembly requires a total of labeled panels shown in the diagram. Please locate all of them and prepare them for use.

Note:

Ensure all hardware components are accounted for before beginning assembly. Missing or damaged hardware should be reported to customer service for replacement.

Step 15

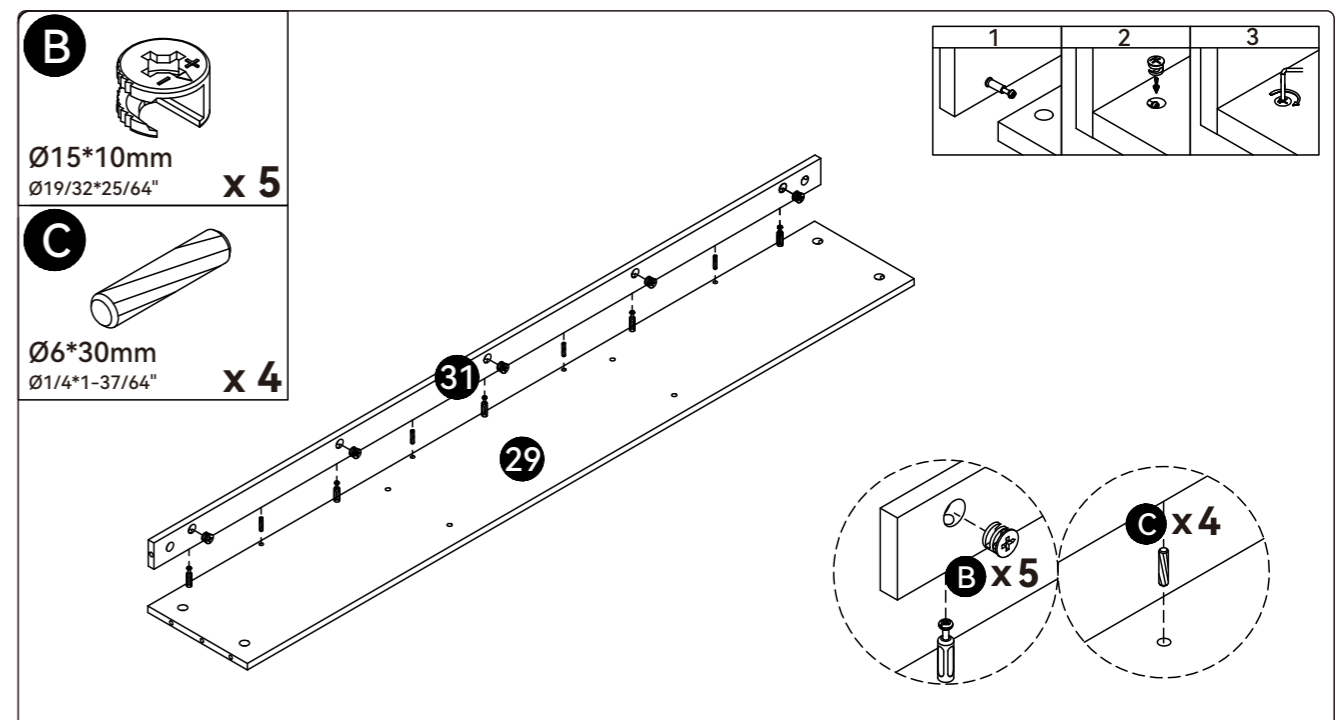
Frame Parts Section



Attach (A) to Panel 29.

Step 16

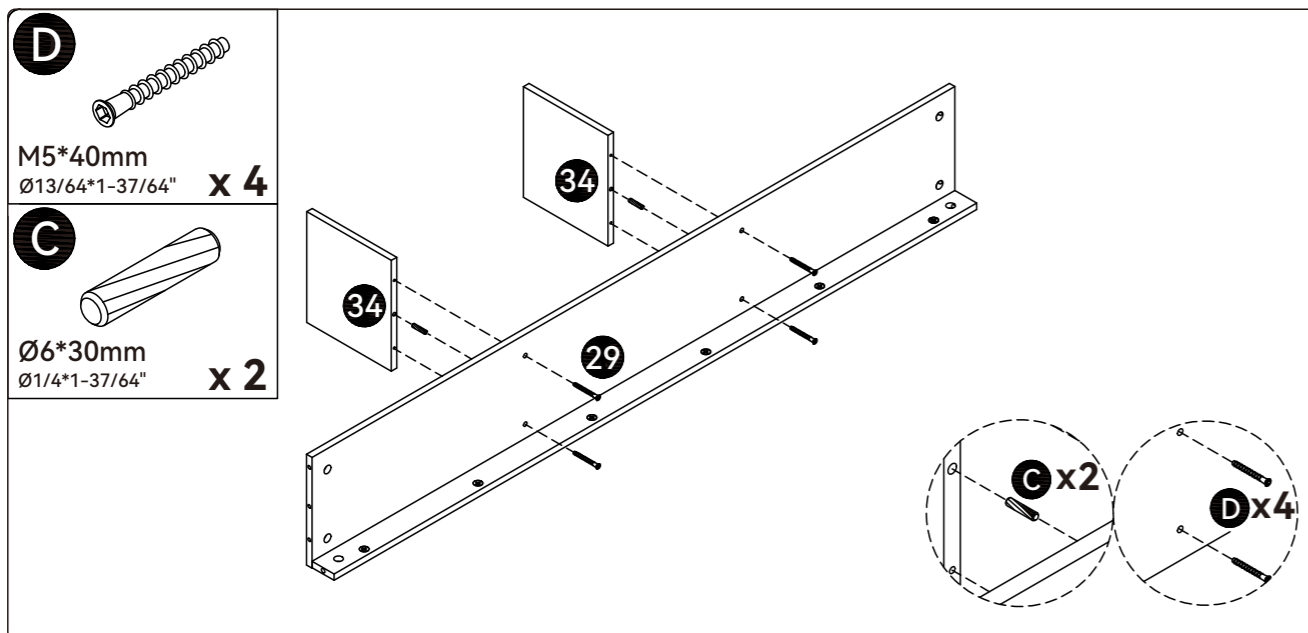
Frame Parts Section



1. Attach (C) to Panel 29.
2. Attach Panel 31 to Panel 29, tighten with (B).

Step 17

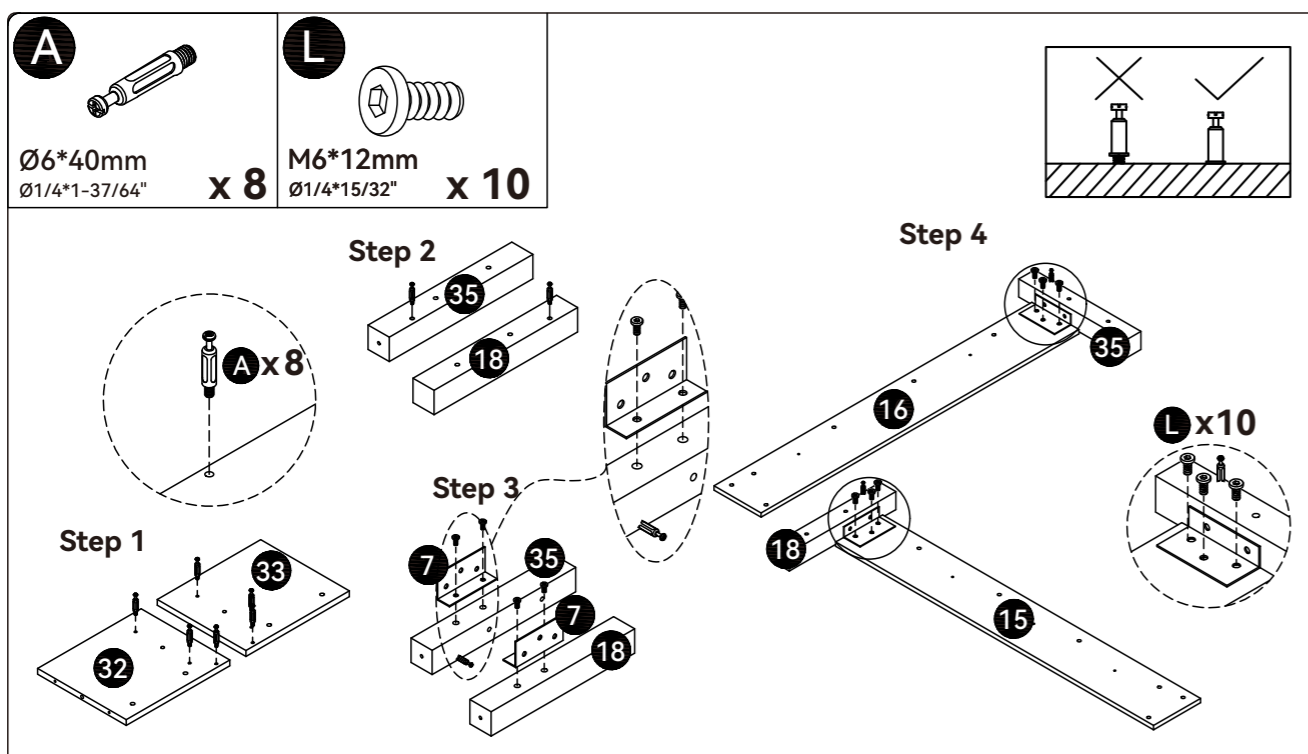
Frame Parts Section



1. Attach (C) to Panel 34.
2. Attach Panel 34 to Panel 29, tighten with (D).

Step 18

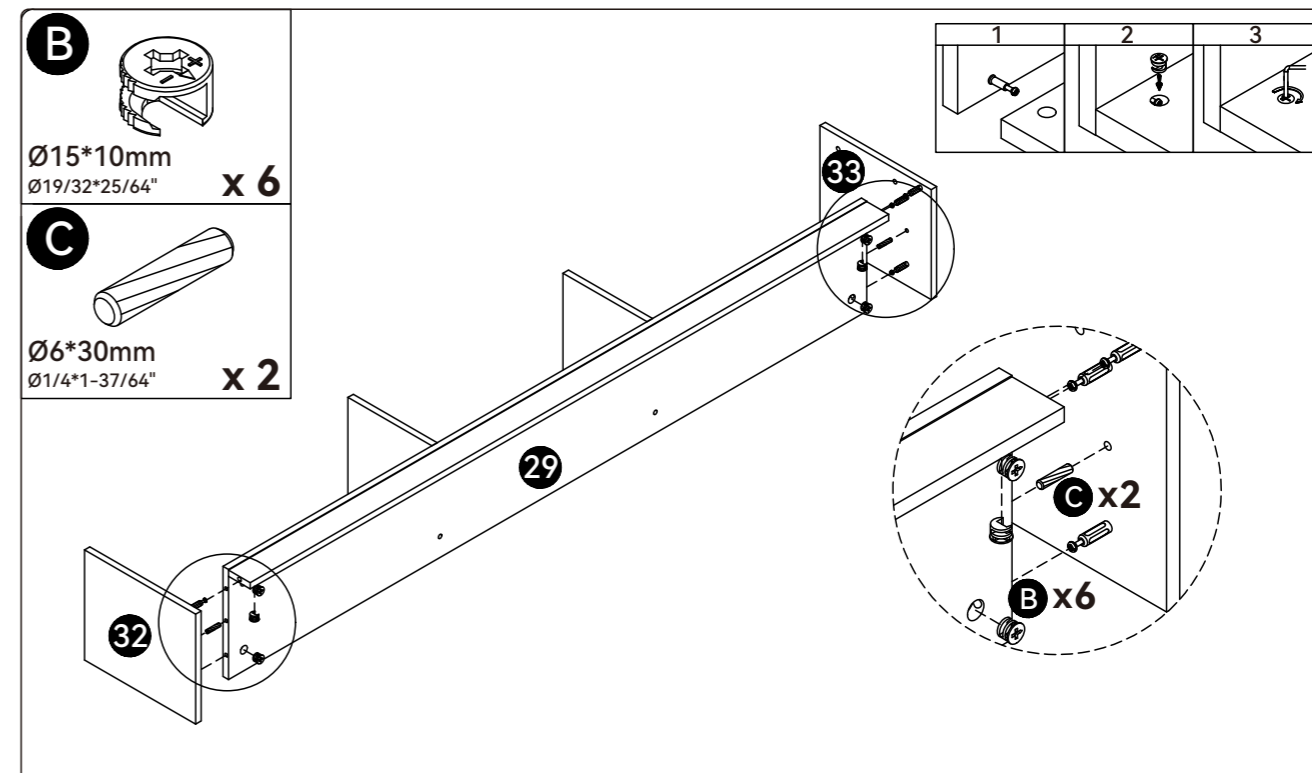
Frame Parts Section



1. Attach (A) to Panels 32 and 33.
2. Attach (A) to Panels 18 and 35.
3. Attach Panel 7 to Panels 18 and 35, tighten with (L).
4. Attach Panel 18 to Panel 15, tighten with (L). Attach Panel 35 to Panel 16, tighten with (L).

Step 19

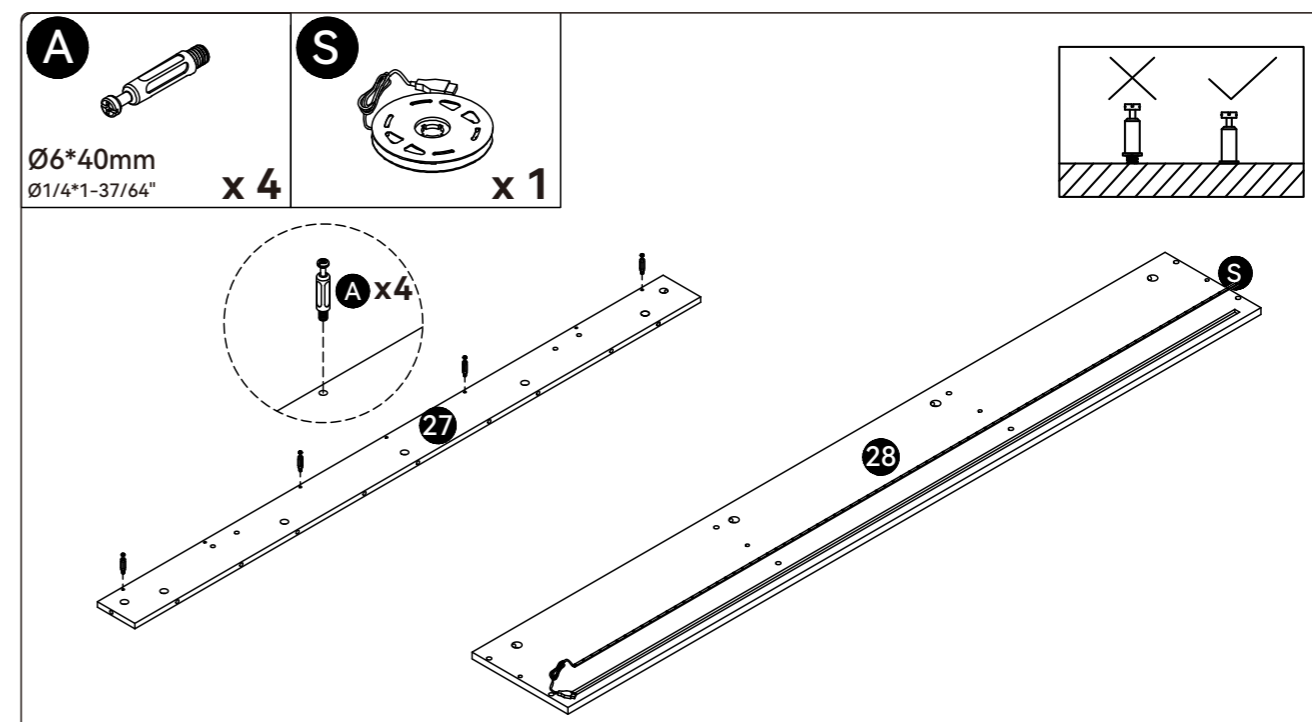
Frame Parts Section



1. Attach (C) to Panels 32 and 33.
2. Attach Panels 32 and 33 to Panel 29, tighten with (B).

Step 20

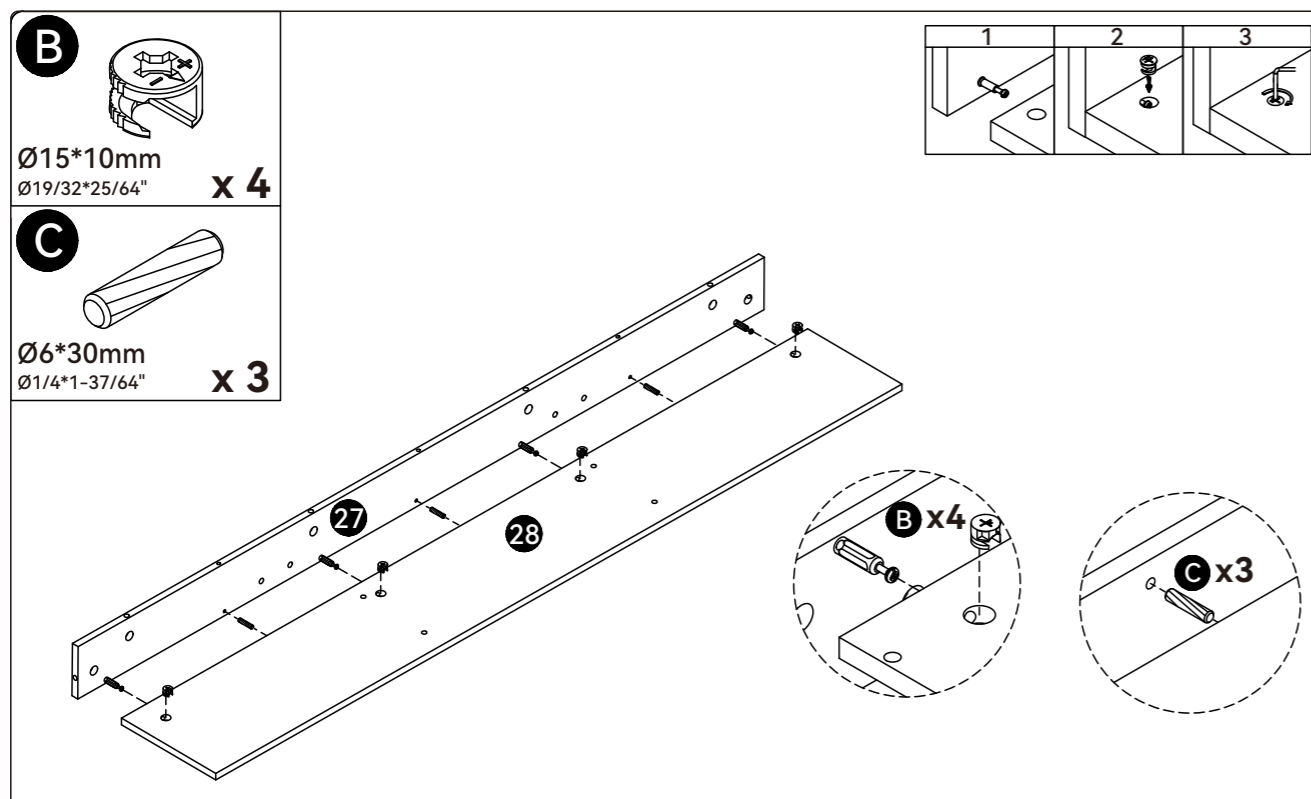
Frame Parts Section



1. Attach (A) to Panel 27.
2. Attach (S) into the light strip slot of Panel 28.

Step 21

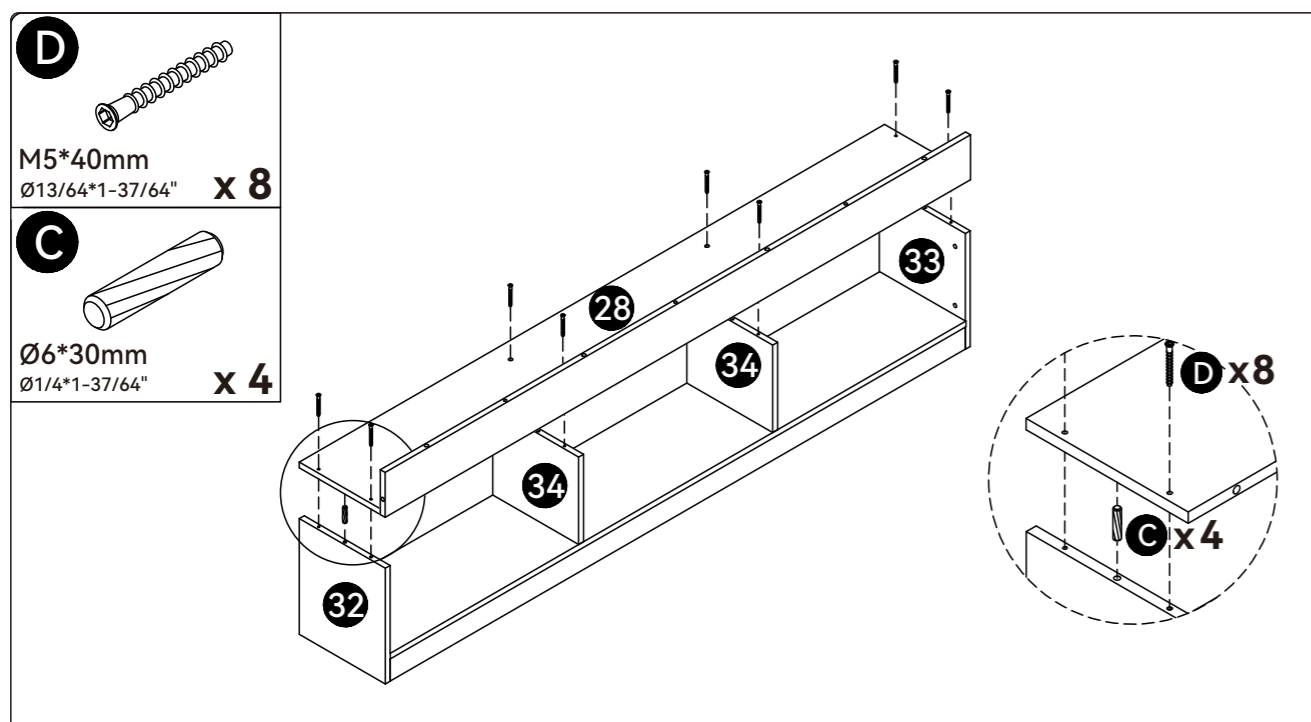
Frame Parts Section



Attach Panel 27 to Panel 28, tighten with (B).

Step 22

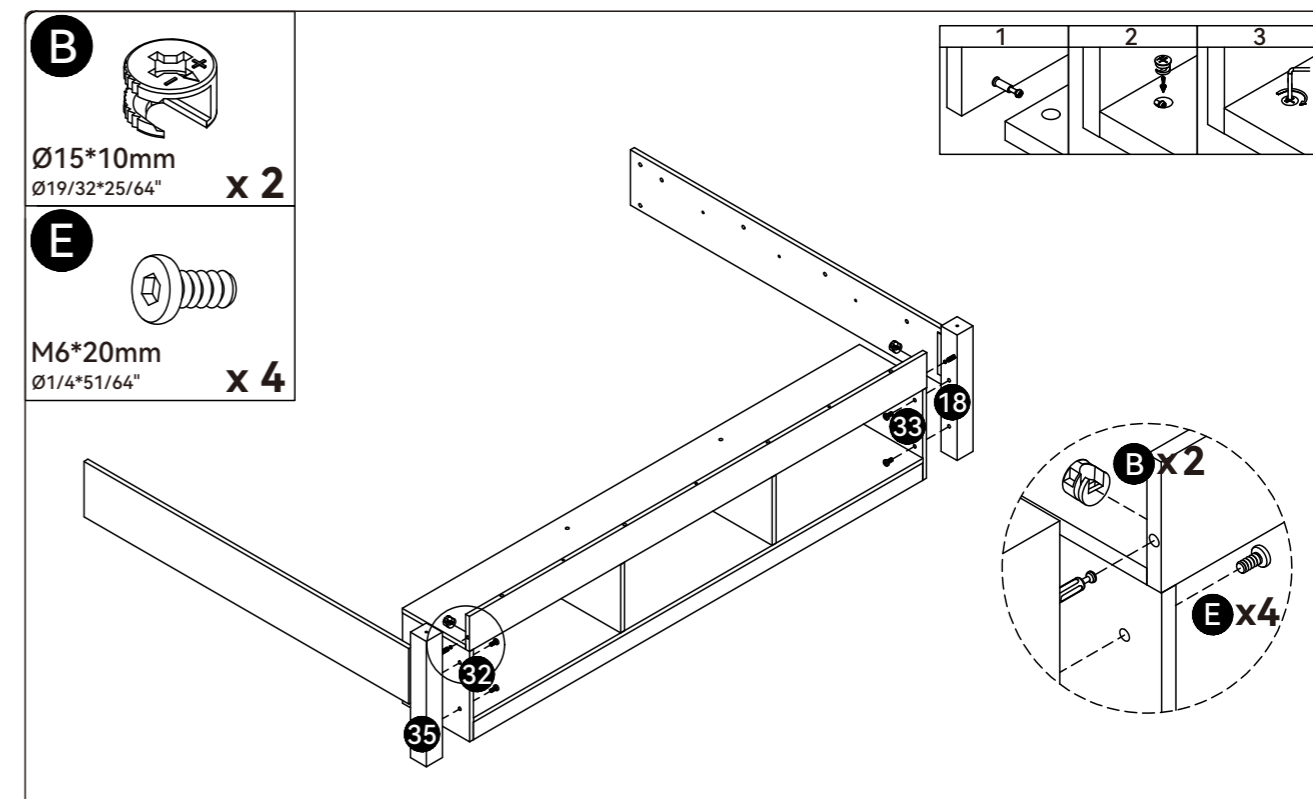
Frame Parts Section



1. Attach (C) to Panels 32, 33, and 34.
2. Attach Panel 28 to Panels 32, 33, and 34, tighten with (D).

Step 23

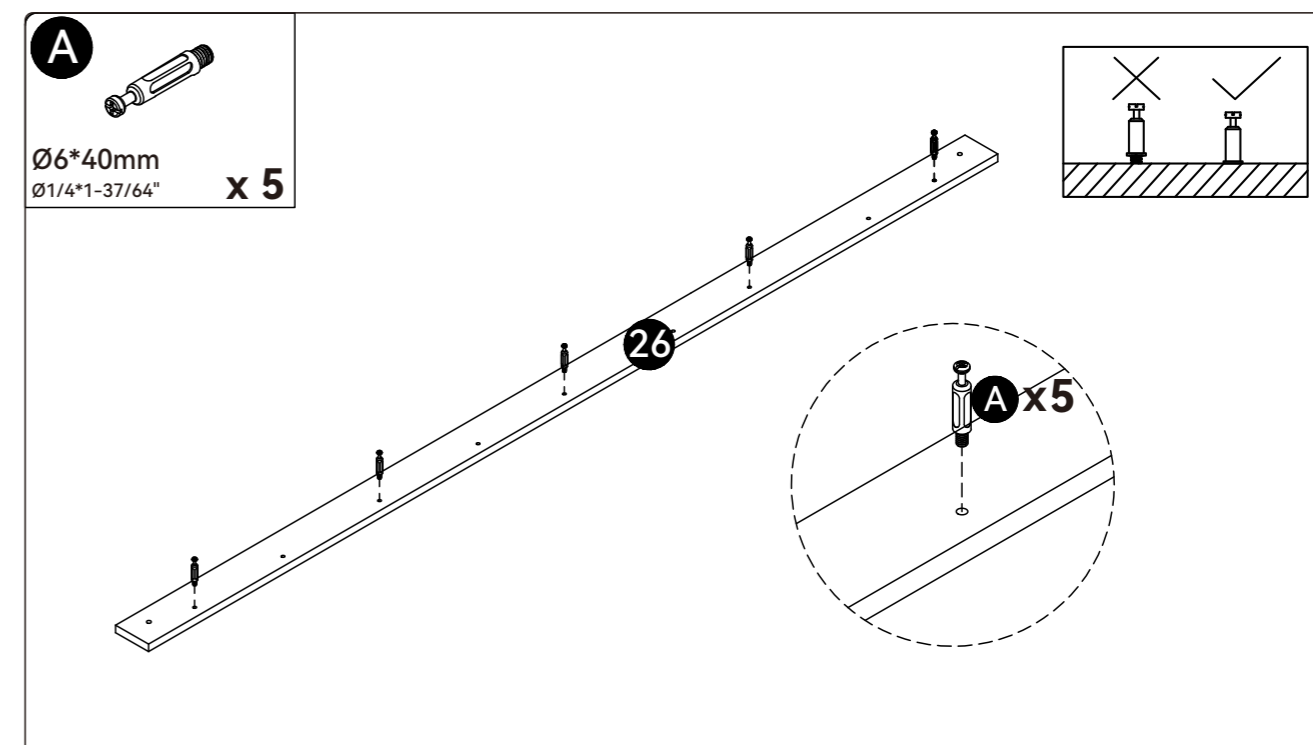
Frame Parts Section



Attach Panel 18 to Panel 33, and Panel 35 to Panel 32, tighten with (B) and (E).

Step 24

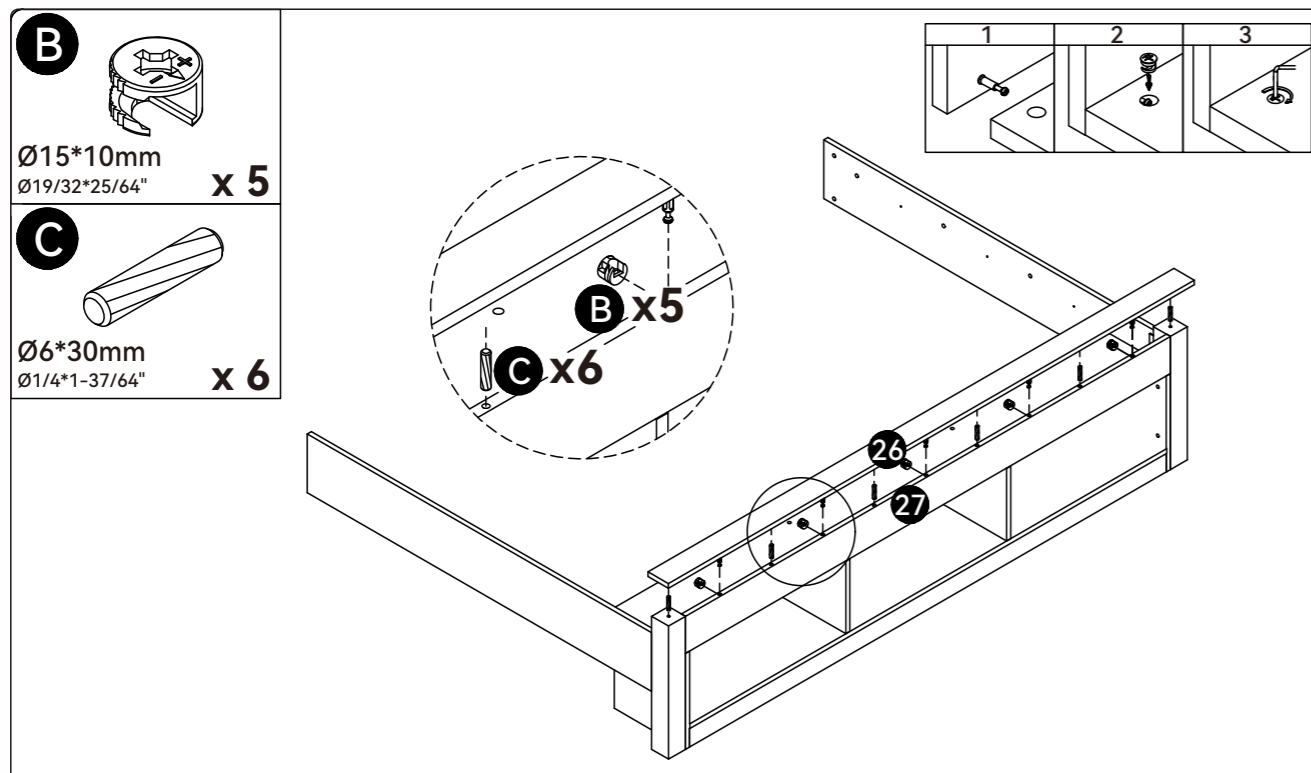
Frame Parts Section



Attach (A) to Panel 26.

Step 25

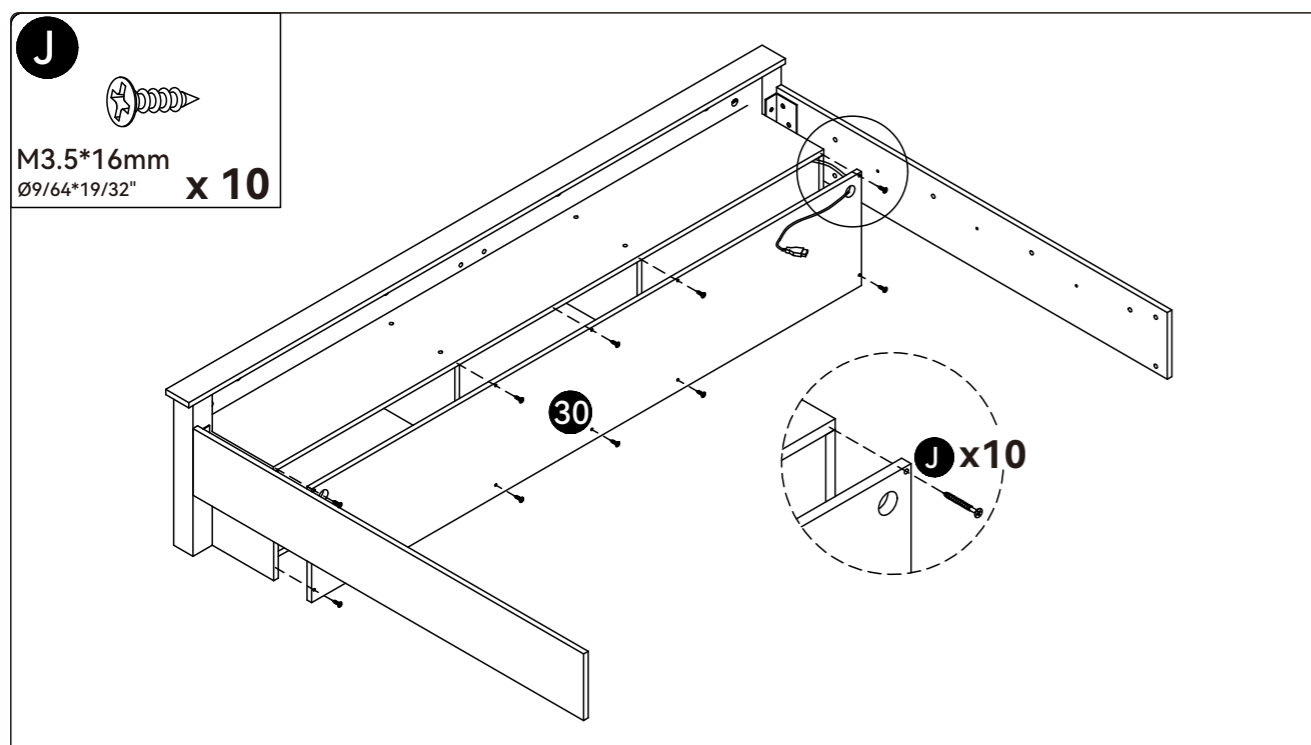
Frame Parts Section



1. Attach (C) to Panel 27.
2. Attach Panel 26 to Panel 27, tighten with (B).

Step 26

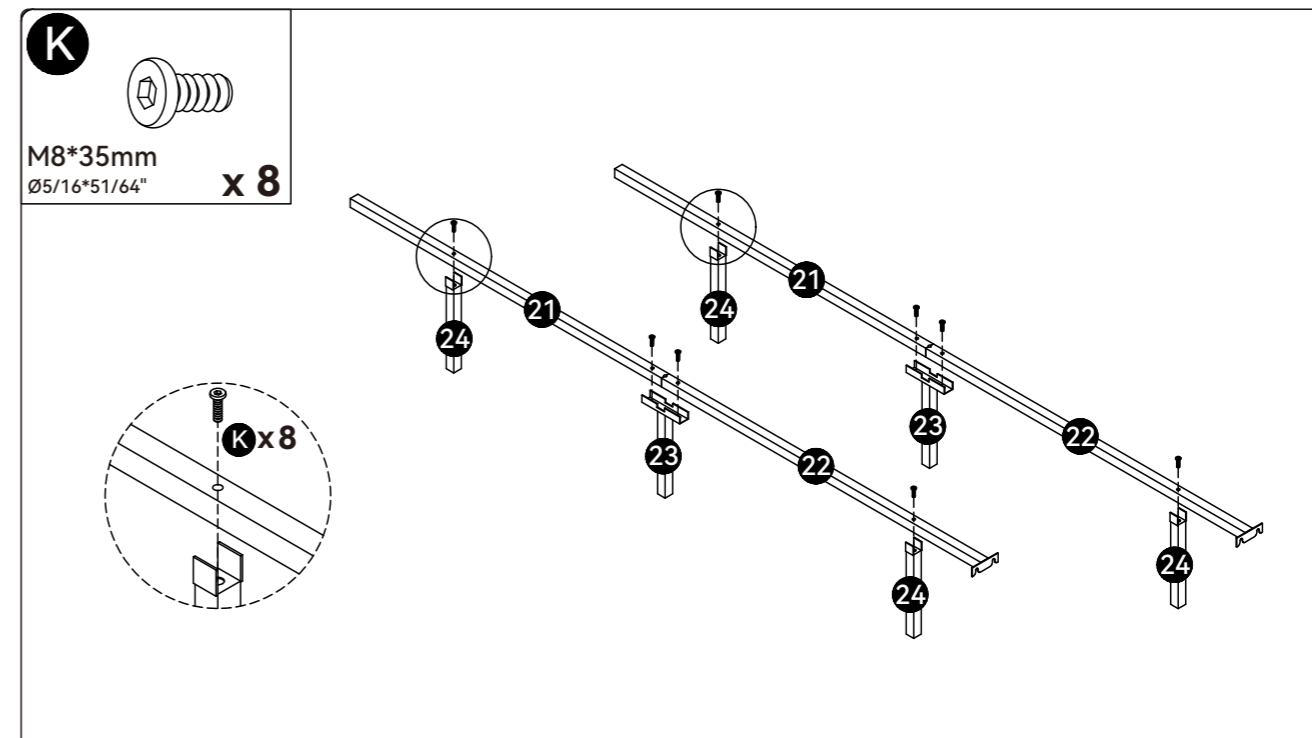
Frame Parts Section



- Install Panel 30 into position as shown, tighten with (J).

Step 27

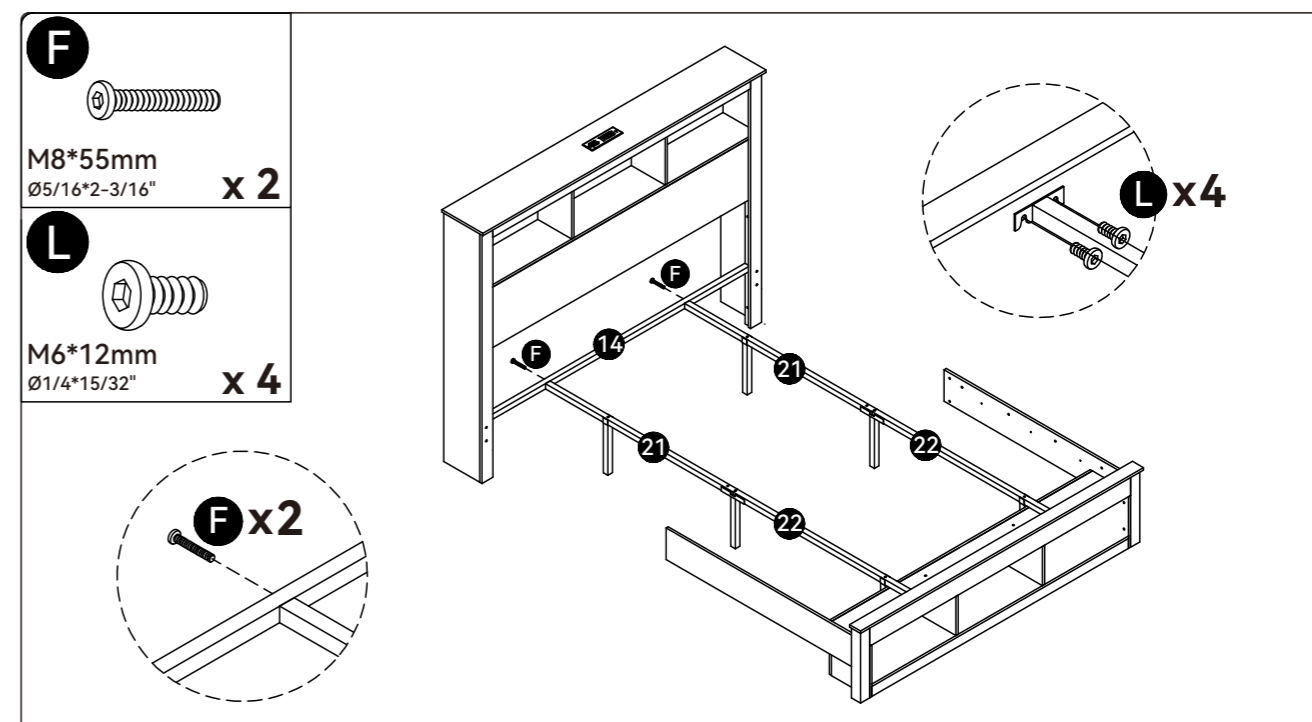
Frame Parts Section



1. Attach Panels 21 and 22 to Panel 23, tighten with (K).
2. Attach Panel 24 to Panel 21, tighten with (K).
3. Attach Panel 24 to Panel 22, tighten with (K).

Step 28

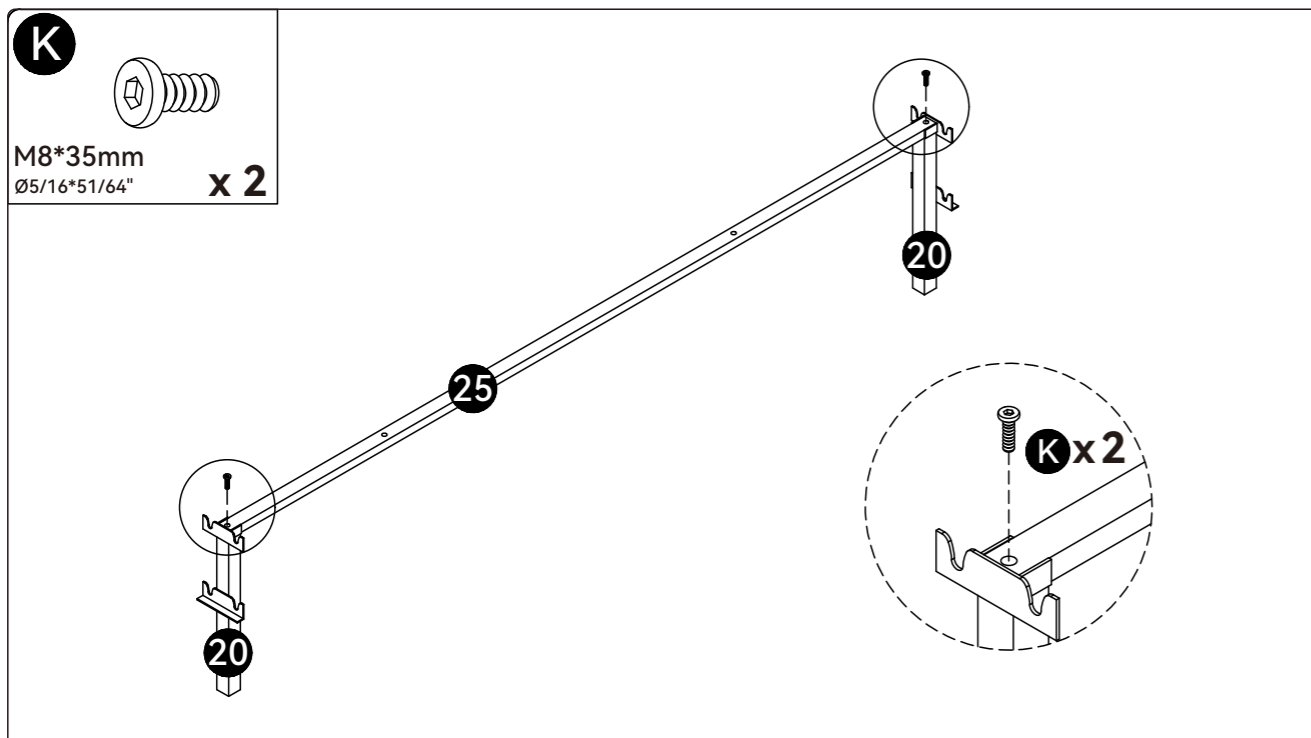
Frame Parts Section



1. Attach Panel 21 to Panel 14, tighten with (F).
2. Attach Panel 22 to the footboard, tighten with (L).

Step 29

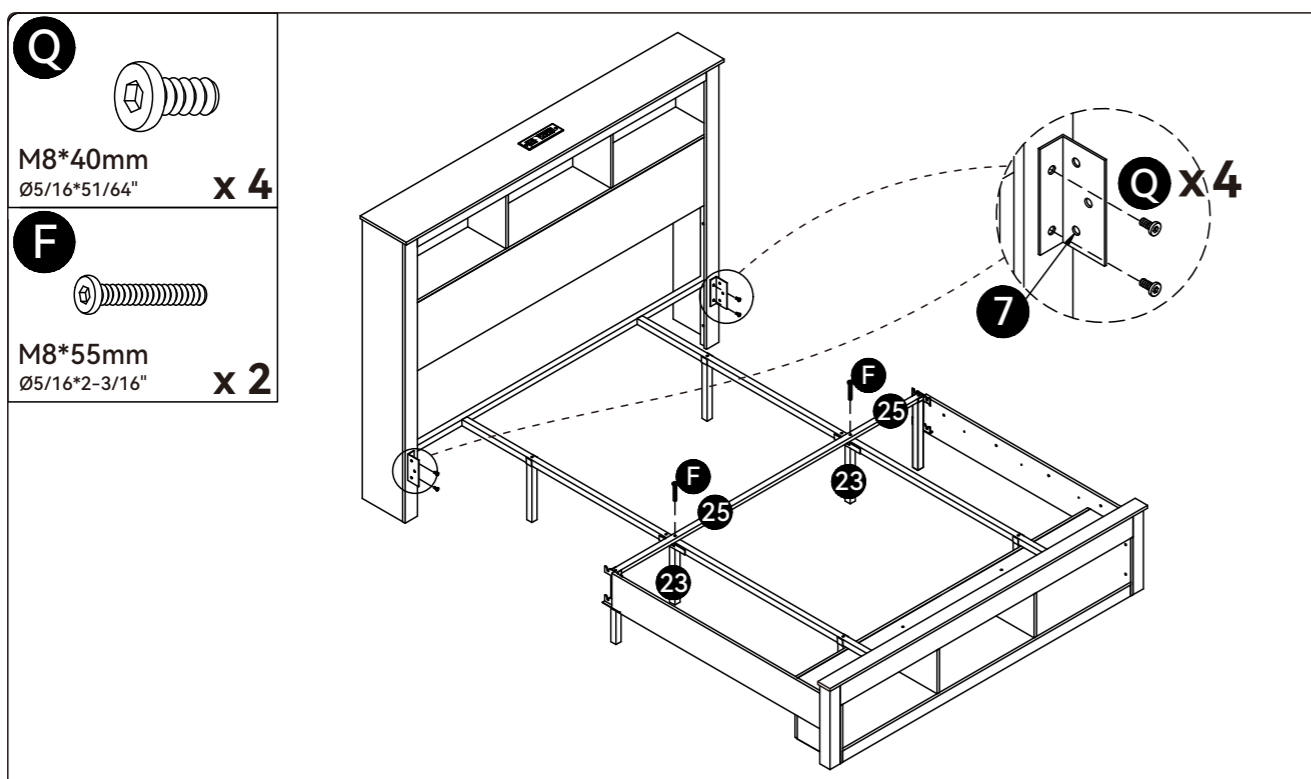
Frame Parts Section



Attach Panel 20 to Panel 25, tighten with (K).

Step 30

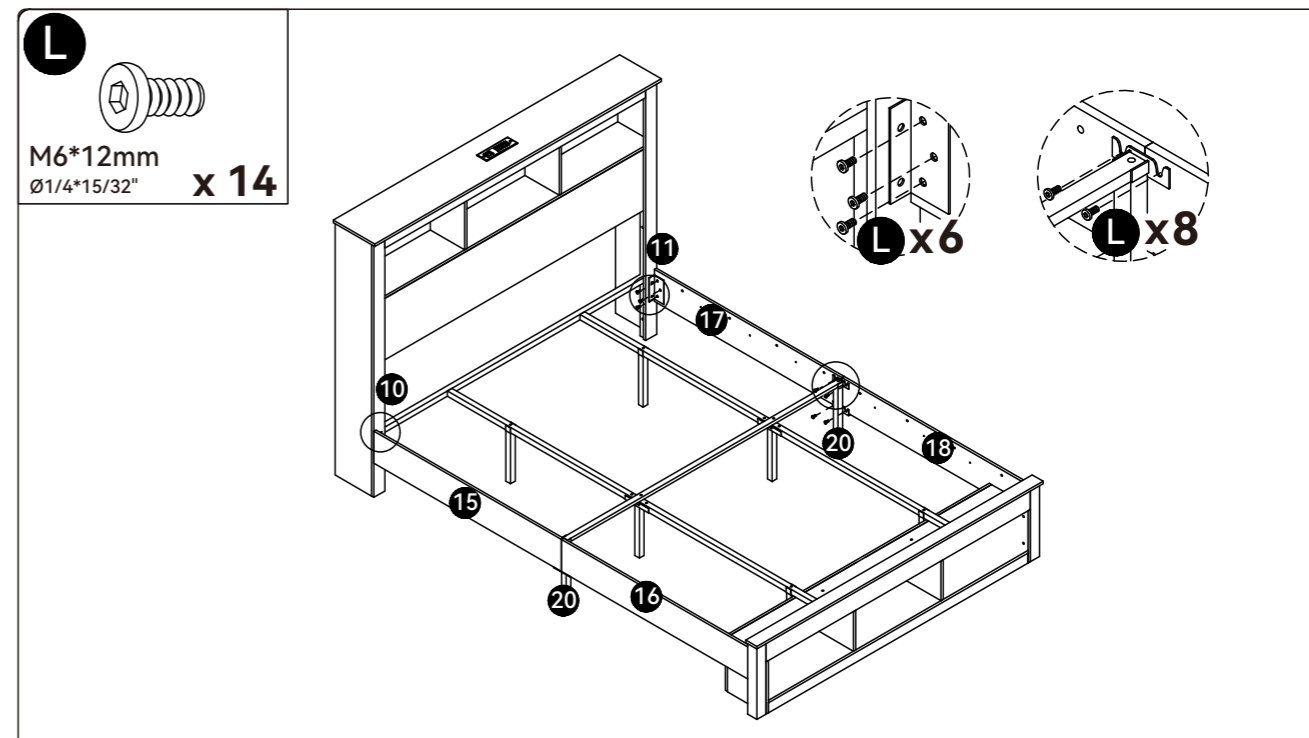
Frame Parts Section



1. Attach Panel 7 into the position shown, tighten with (Q).
2. Attach Panel 25 into the position shown, tighten with (F).

Step 31

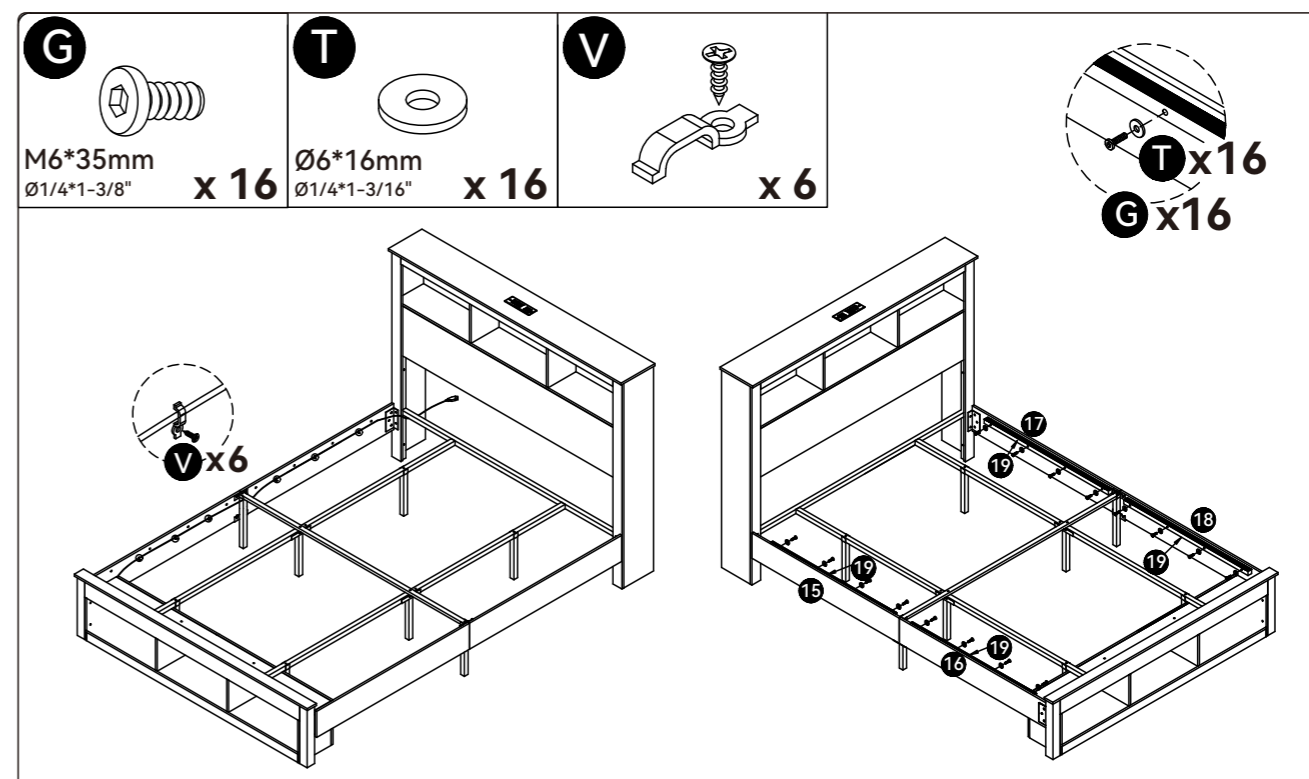
Frame Parts Section



Attach Panels 15 and 16 into the position shown, tighten with (L).

Step 32

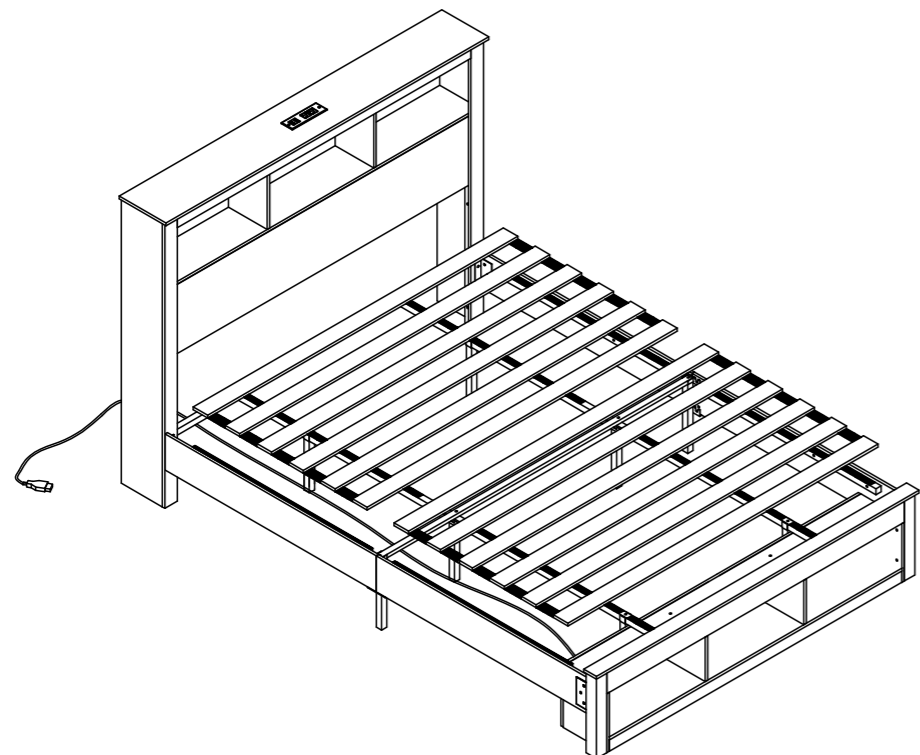
Frame Parts Section



1. Secure the footboard LED light strip with (V) to the bedside.
2. Attach Panel 19 to the bedside, tighten with (G) and (T).

Step 33

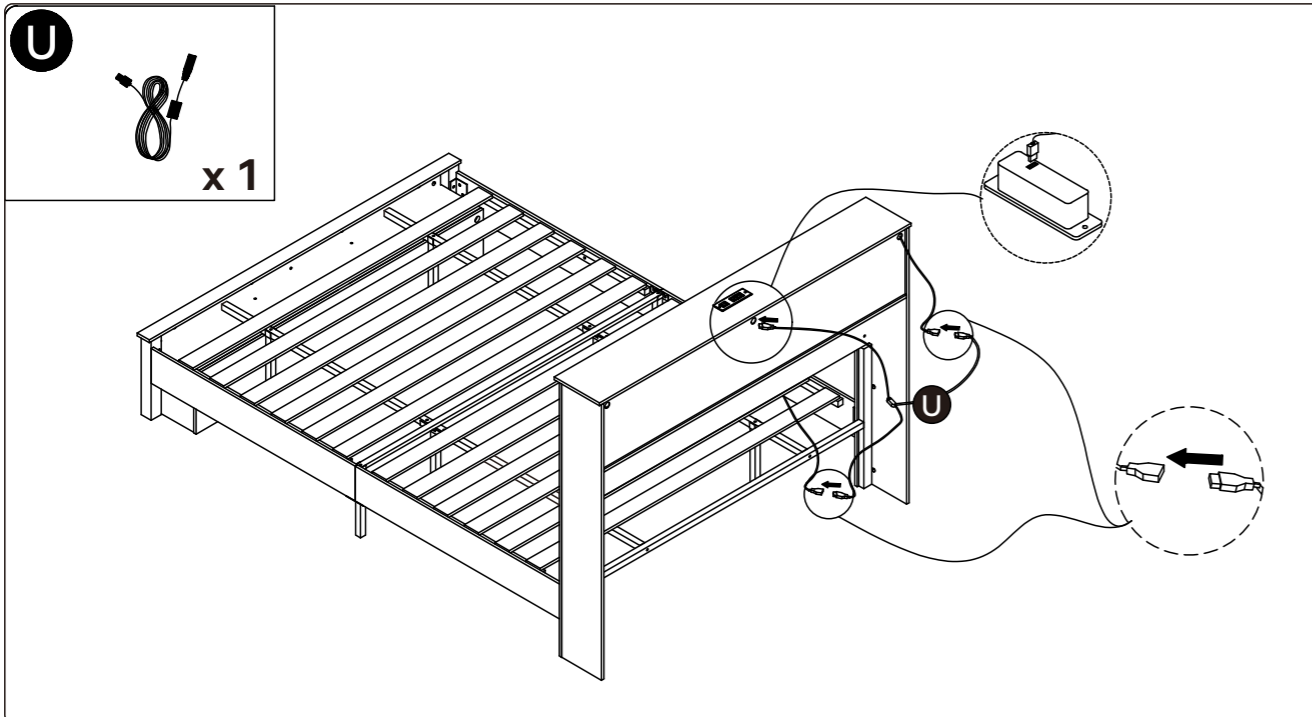
Frame Parts Section



Place the slats (Panel 17) into the position shown.

Step 34

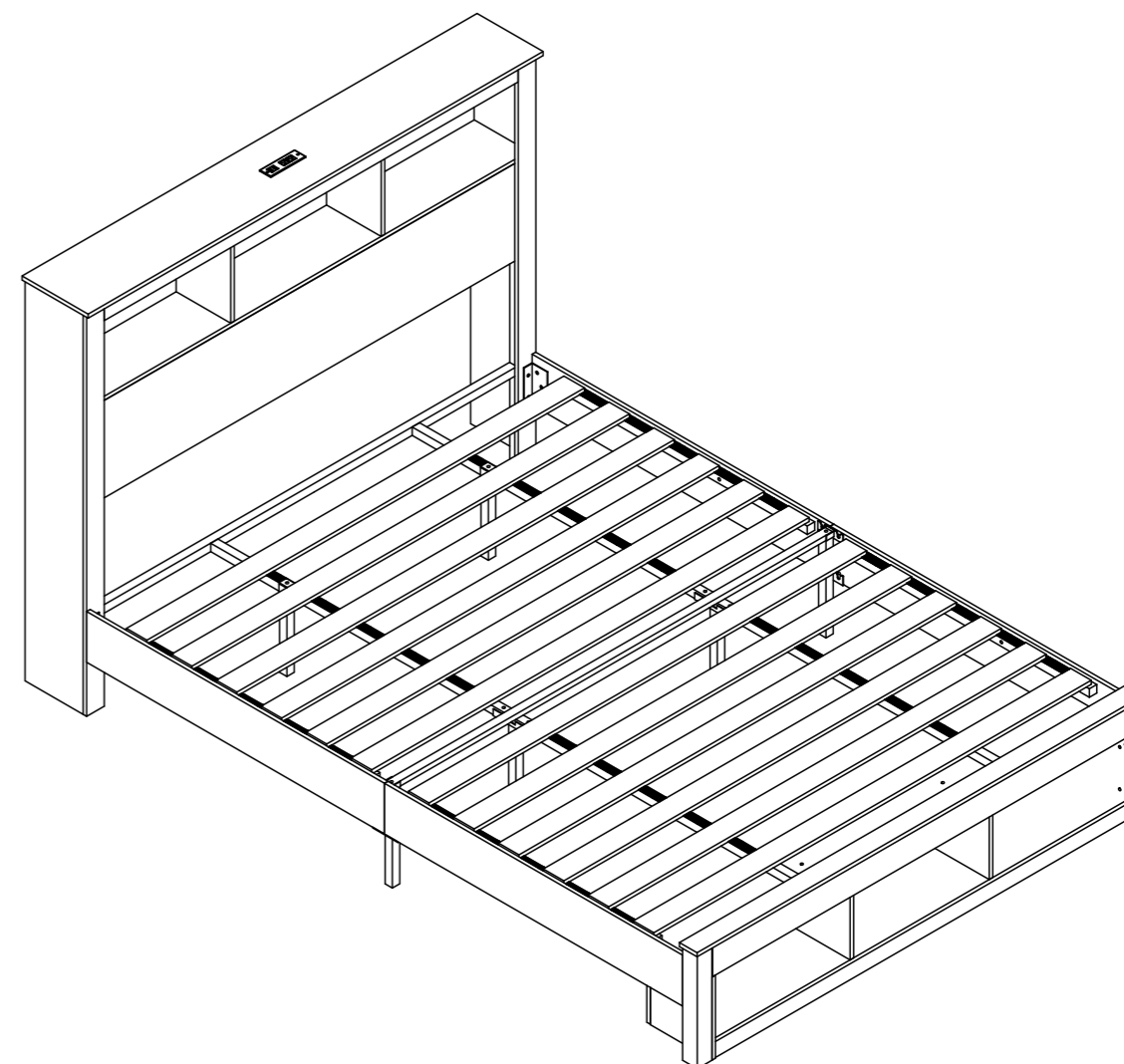
Frame Parts Section



1. Connect the footboard light strip with the headboard light strip into (U).
2. Install (U) through the back panel hole and connect to the USB port of the power strip.

Step 35

Frame Parts Section



Assembly complete.