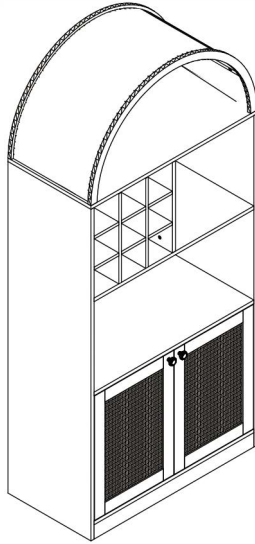


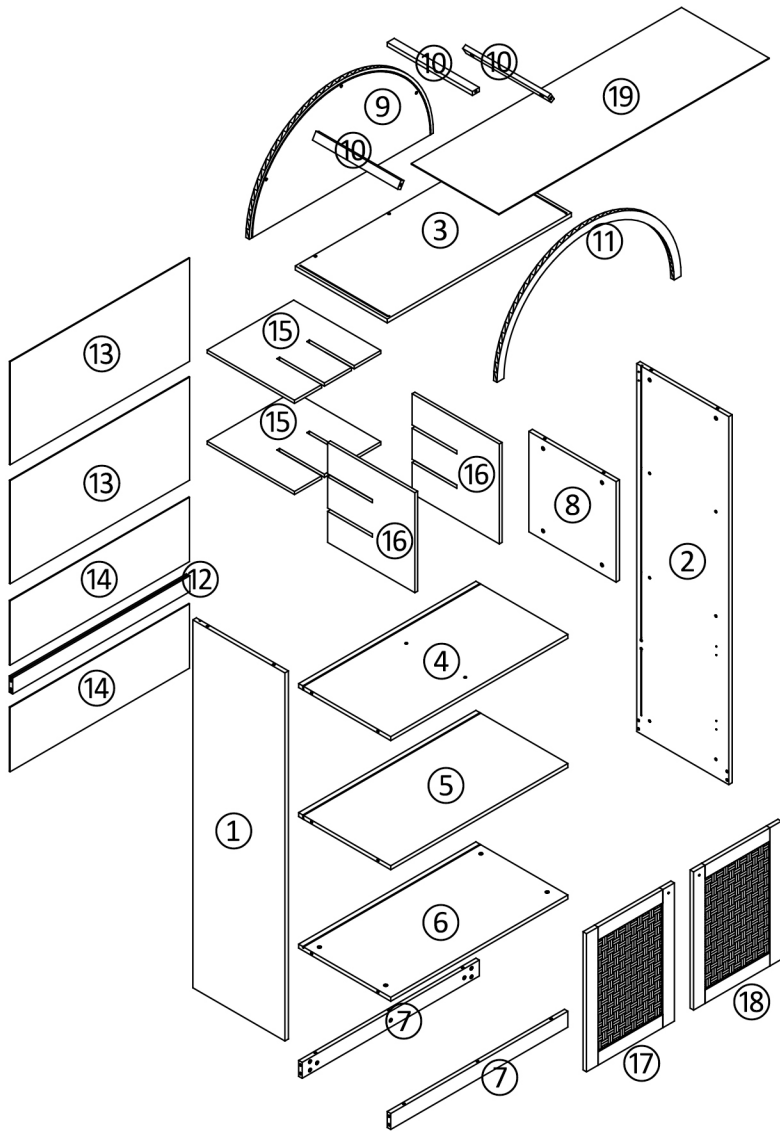
# Storage Cabinet




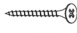







---

## Instruction Manual



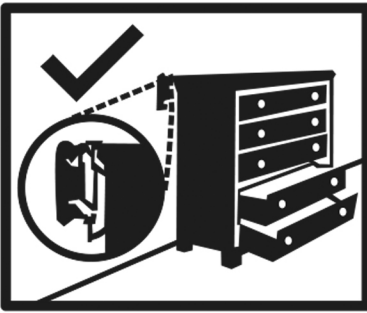
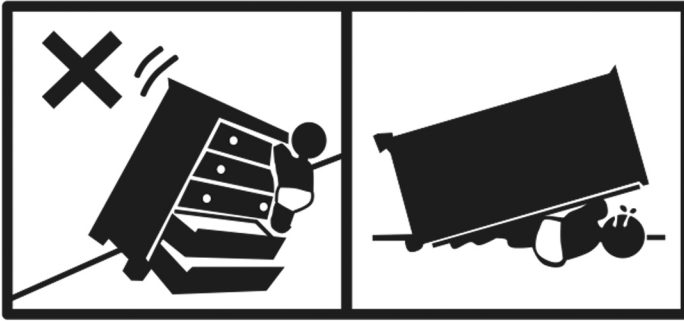
- Please follow the instructions to assemble the items correctly.
- Please ensure the safety of the glass when assembling.
- Do not make the screws too loose or too tight.
- As shown in the figure, Insert the screw into the hole. The arrow in the picture, Then rotate 90° or 180° clockwise.
- The accessory bag contains some small accessories, which should be kept away from children.
- The remaining parts are spare parts.
- Warm reminder white backboard please install the white side inward
- The operating instruction of RGB light is included in the package, please read it carefully when assembling



<b>A</b>  47pcs	<b>B</b>  47pcs	<b>C</b>  3.5*14 52pcs	<b>C9</b>  4*30 2pcs	<b>D2</b>  4pcs	<b>F</b>  2pcs	<b>F1</b>  2pcs	<b>O</b>  2pcs	<b>X</b>  2pcs	<b>Y</b>  16pcs
<b>BG</b>  2pcs									



# WARNING



Children have died from furniture tip over. To reduce the risk of tip over:

- ALWAYS secure this furniture to the wall using an anti-tip device.
- NEVER allow children to stand, climb, or hang on drawers, doors or shelves.

Do not defeat or remove the drawer interlock system.

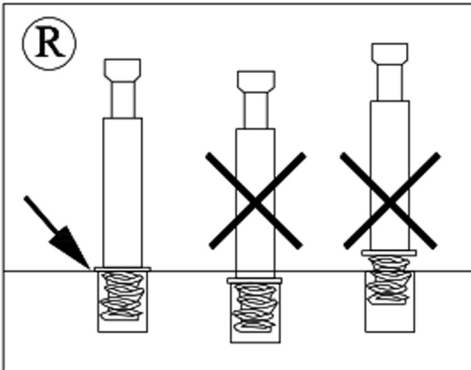
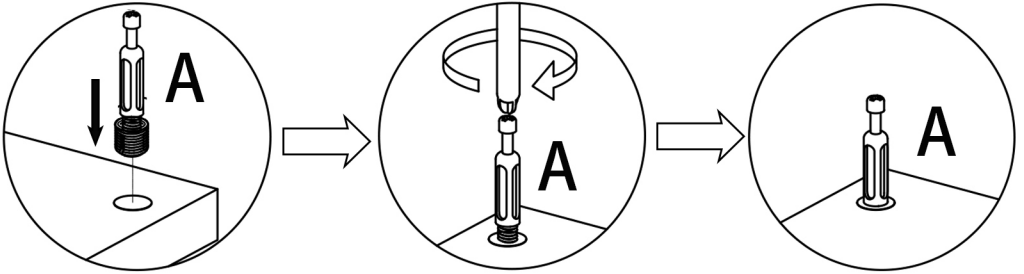
Place heaviest items in the lowest drawers.

NEVER put a TV on this furniture.



# Hardware installation demonstration

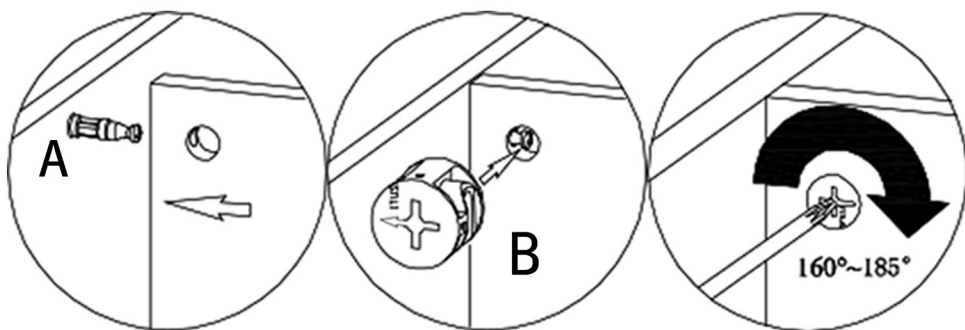
● Please make sure "A" hardware tightened and can't be pulled out





## Hardware installation demonstration

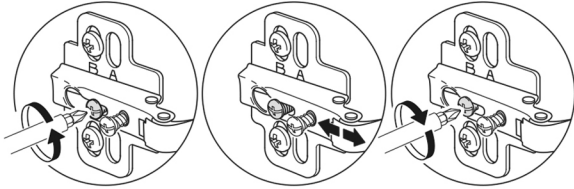
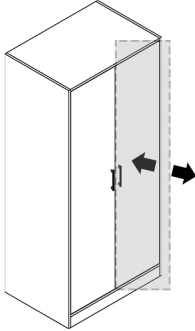
- When inserting cam ensure arrowhead on cam points toward the hole on the panel edge





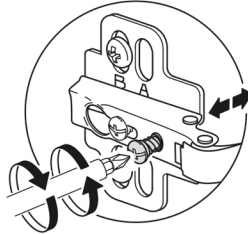
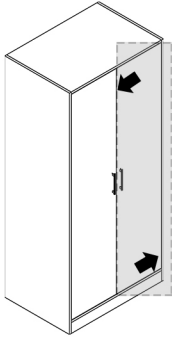
# Hardware installation demonstration

## Cabinet door front and rear adjustment



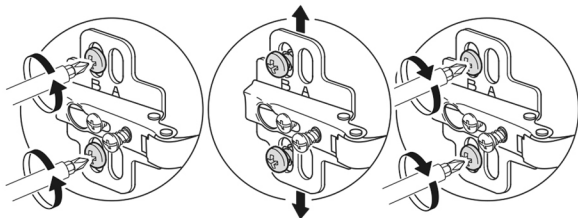
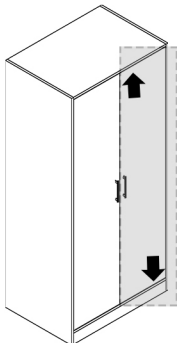
Adjusting screws can change the gap between the door panel and the cabinet side

## Cabinet door left and right adjustment



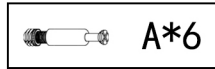
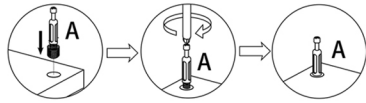
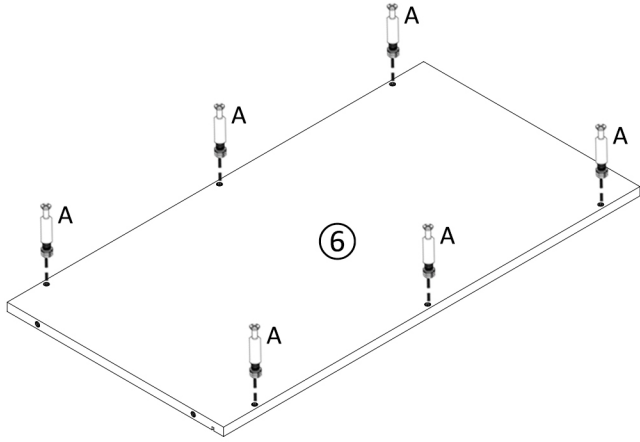
Adjusting screws can change the door panel relative to the cabinet next to the coverage

## Cabinet door up and down adjustment

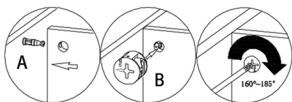
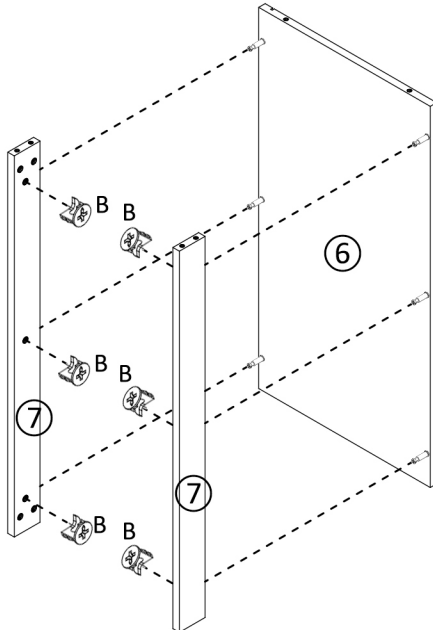


Adjusting screws can correct the upper and lower clearance of the door panel

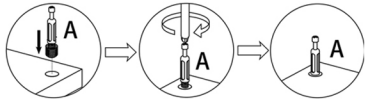
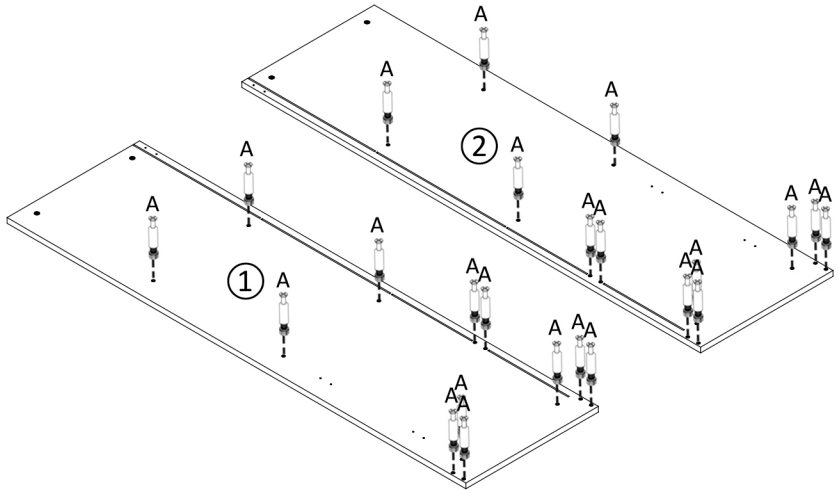
# STEP 1



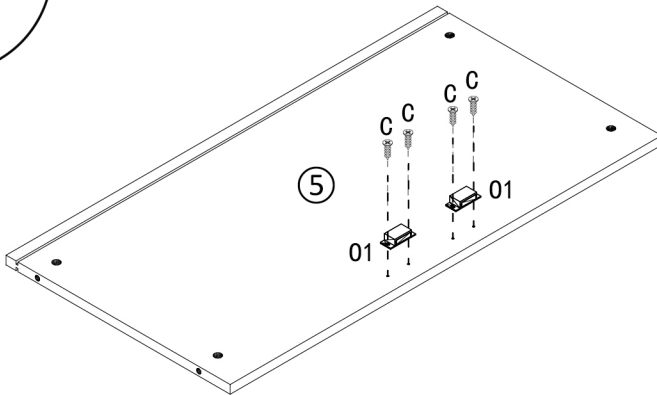
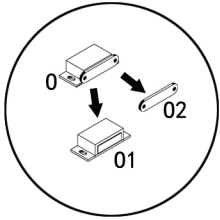
# STEP 2



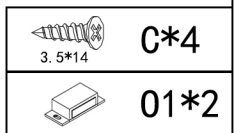
# STEP 3



# STEP 4

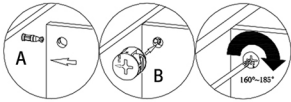
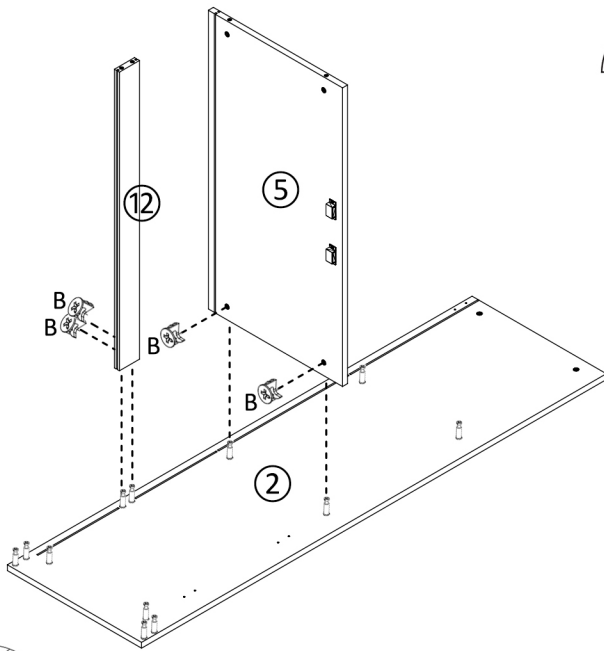



⚠ Please use screws according to the specific size, do not confuse them.



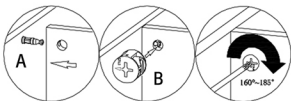
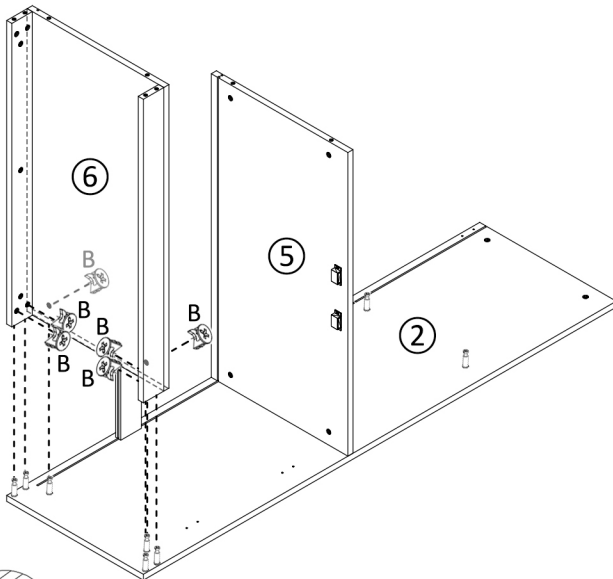
# STEP 5


90°  
Flip



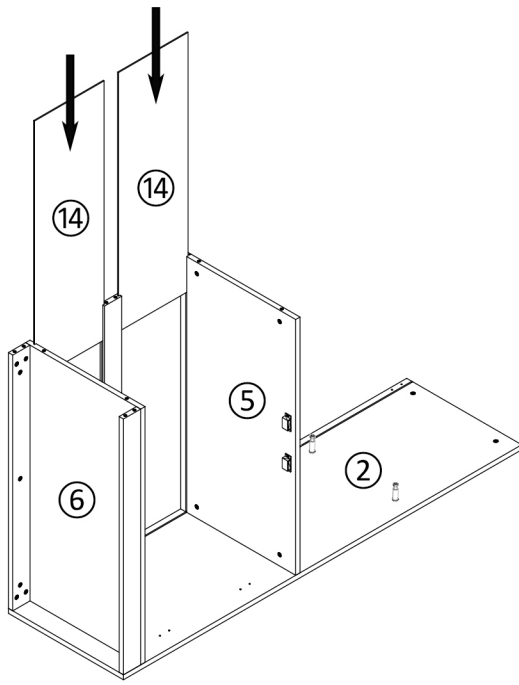
 B\*4

# STEP 6

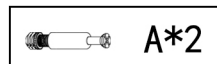
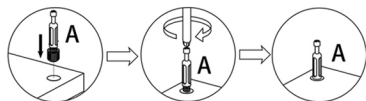
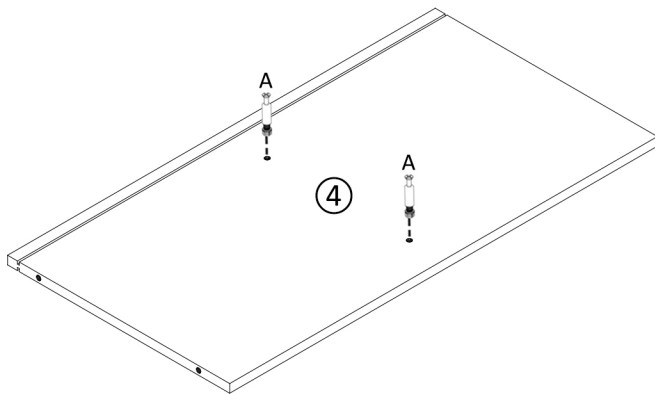


 B\*6

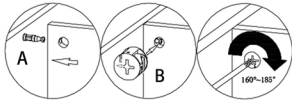
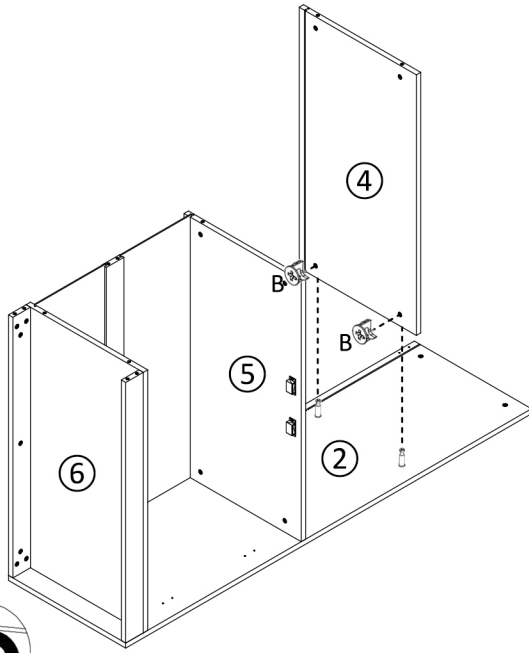
# STEP 7




# STEP 8

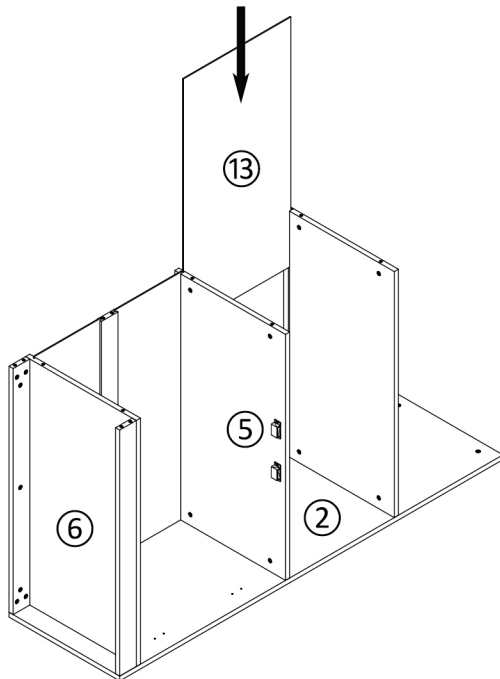


# STEP 9

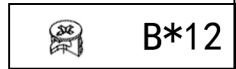
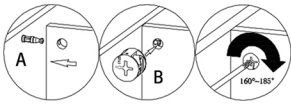
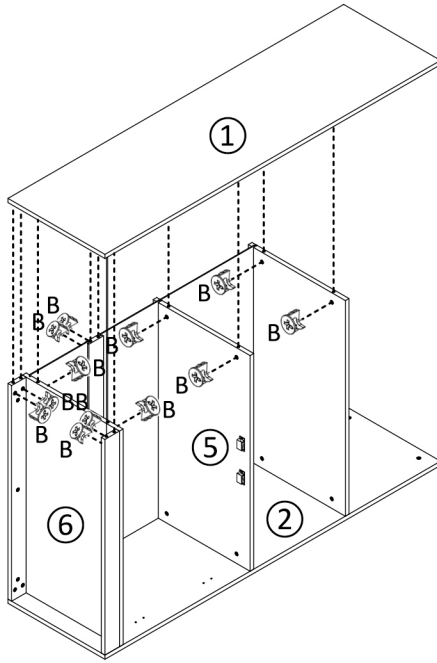


 B\*2

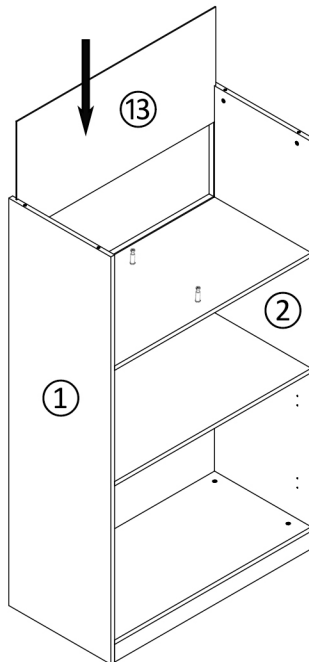
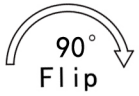
# STEP 10



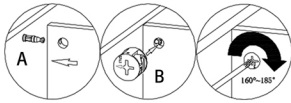
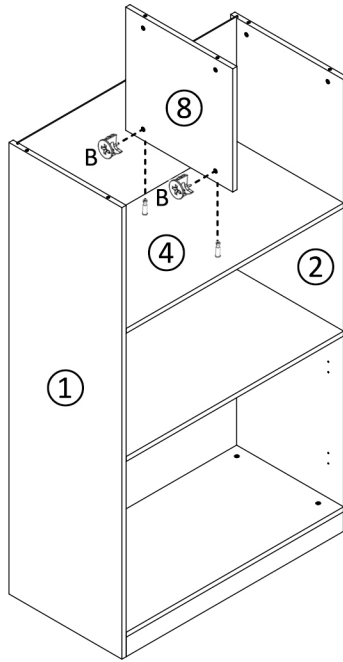
# STEP 11



# STEP 12

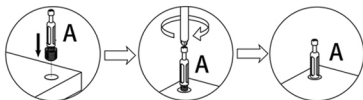
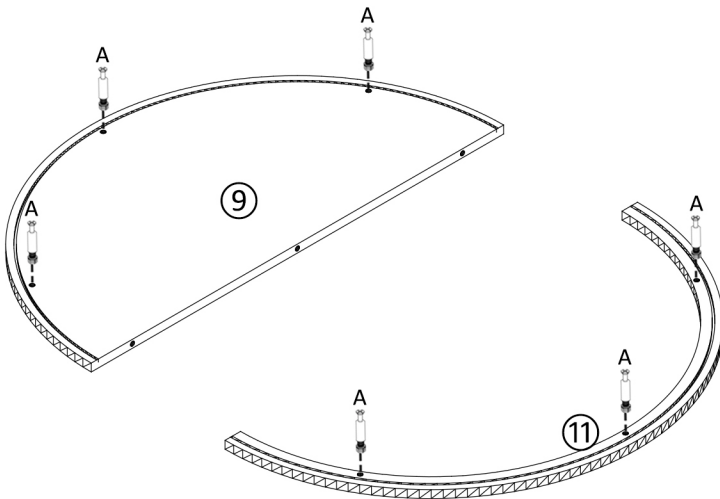


# STEP 13



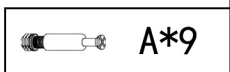
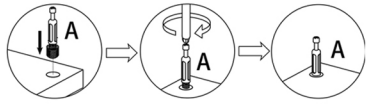
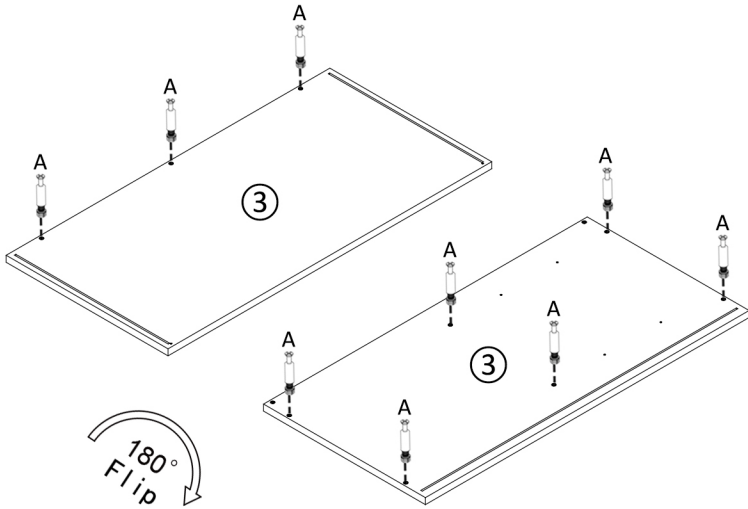
B\*2

# STEP 14

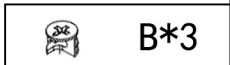
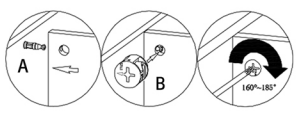
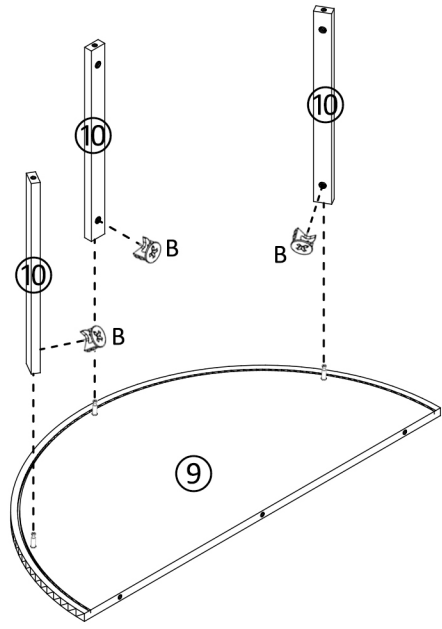


A\*6

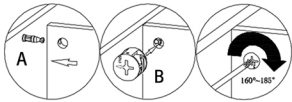
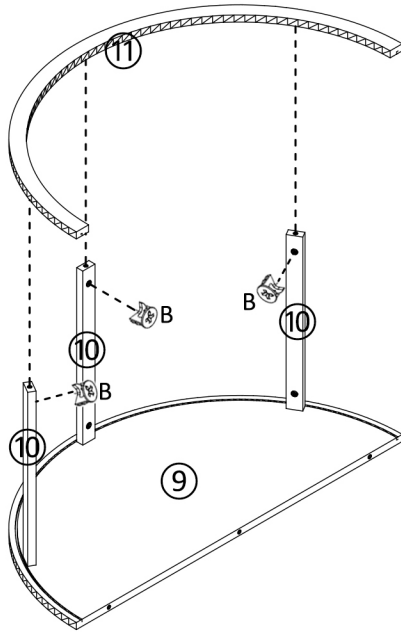
# STEP 15



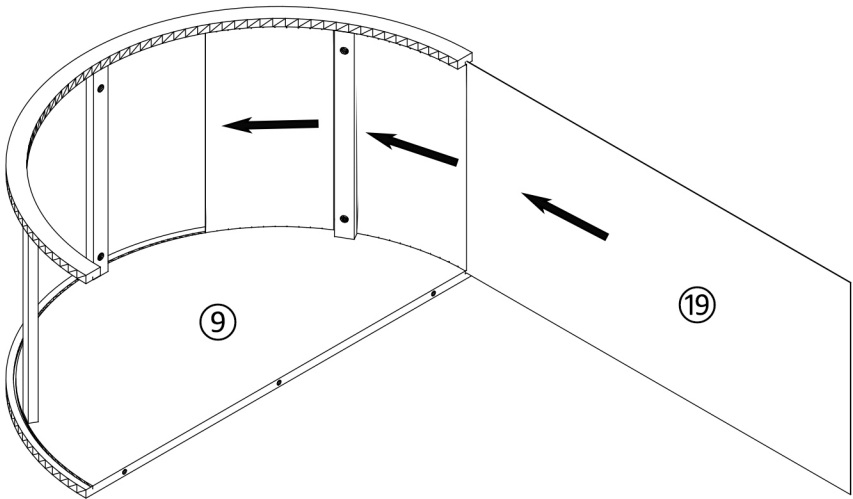
# STEP 16



# STEP 17

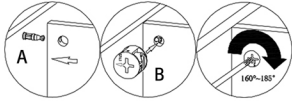
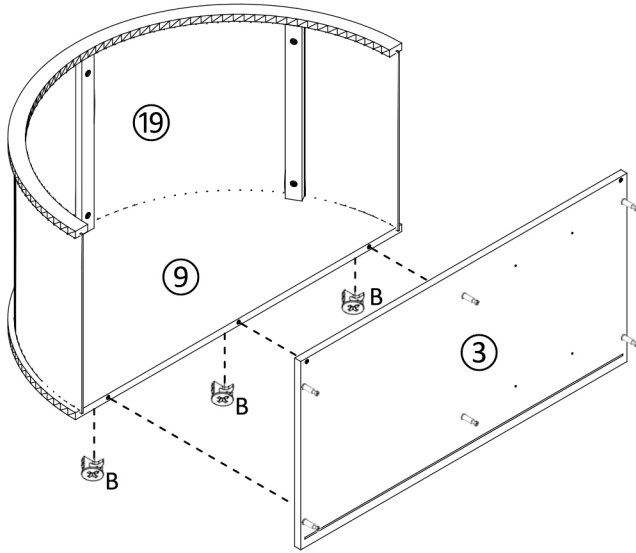


# STEP 18



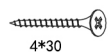
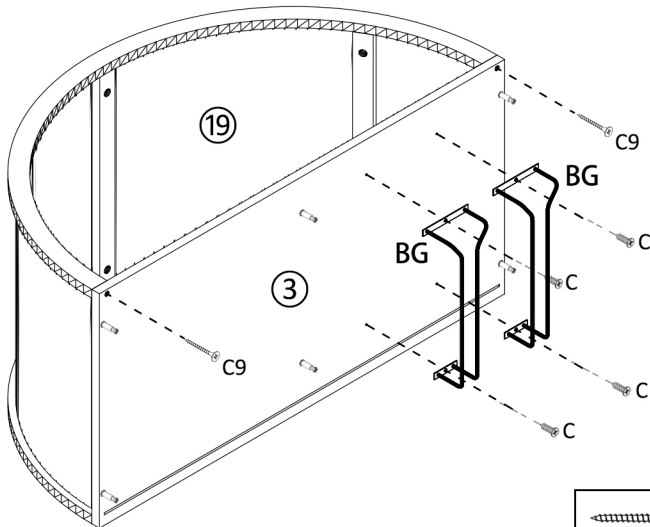
Please note that panel number 19 can be bent into a curve, but it must be done gently and slowly.

# STEP 19



**B\*3**

# STEP 20



**C9\*2**



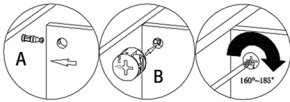
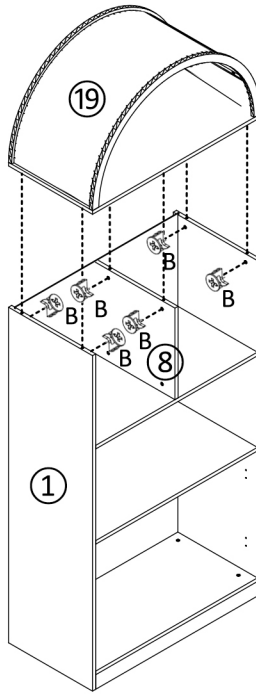
**C\*4**



**BG\*2**

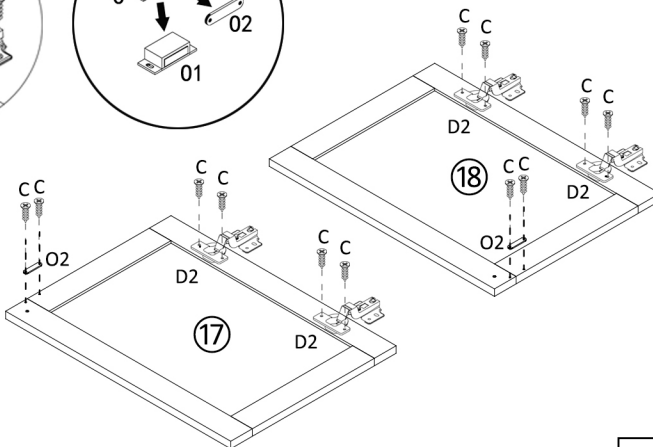
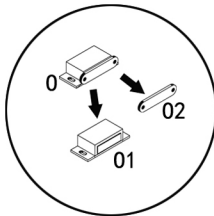
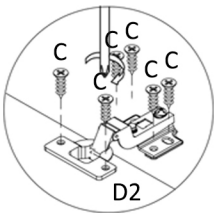
⚠ Please use screws according to the specific size, do not confuse them.

# STEP 21



B\*6

# STEP 22



O2\*2



D2\*4

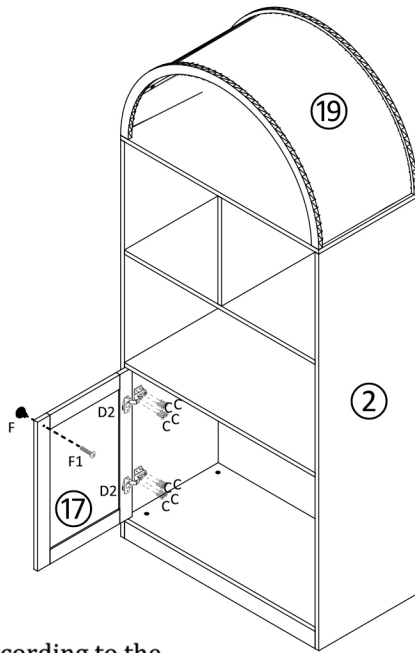
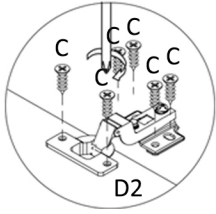


3.5\*14




C\*12

! Please use screws according to the specific size, do not confuse them.

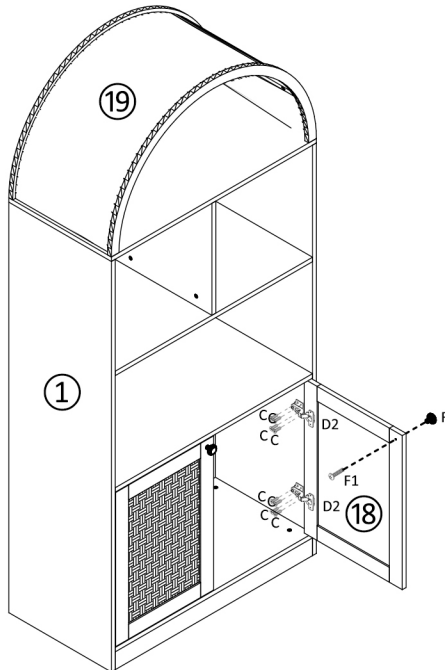
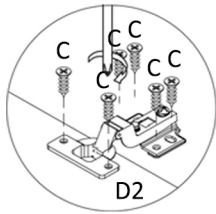
# STEP 23





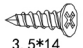
⚠ Please use screws according to the specific size, do not confuse them.

	F*1
	F1*1
	C*8 3.5*14

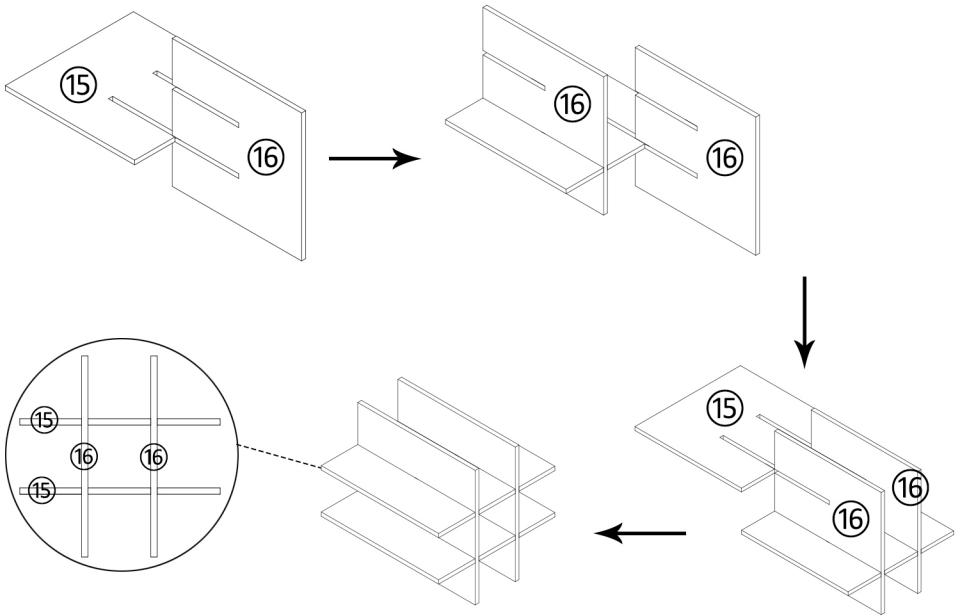
# STEP 24



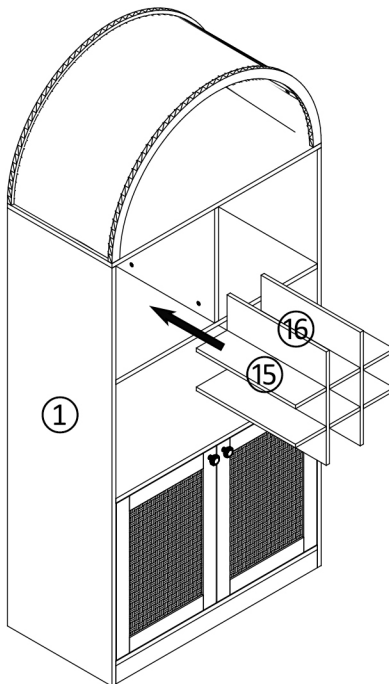
⚠ Please use screws according to the specific size, do not confuse them.

	F*1
	F1*1
	C*8 3.5*14

# STEP 25

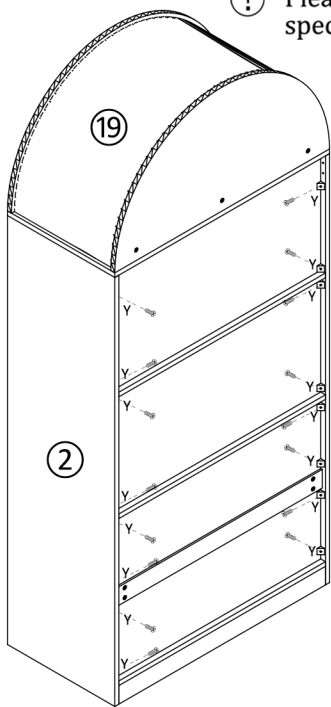
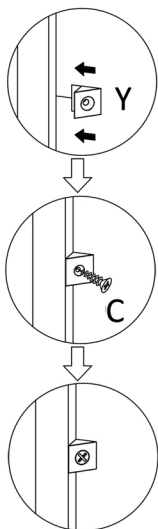


# STEP 26

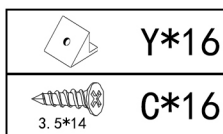


# STEP 27

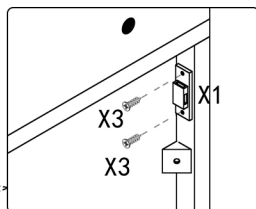
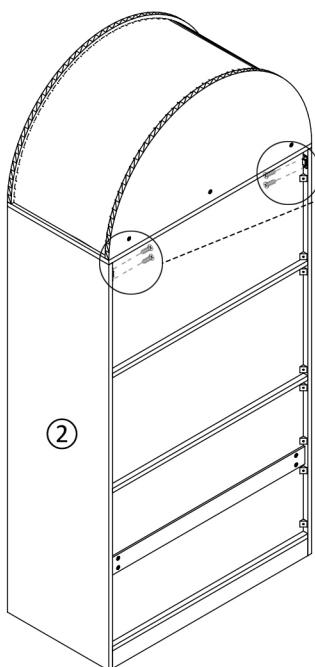
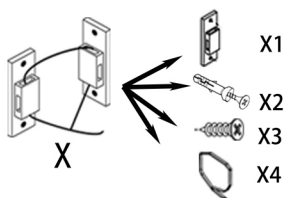
! Please use screws according to the specific size, do not confuse them.



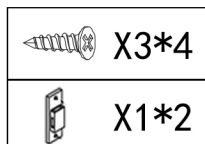
Use tools to install if necessary



# STEP 28

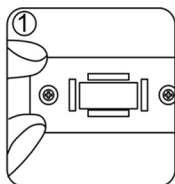
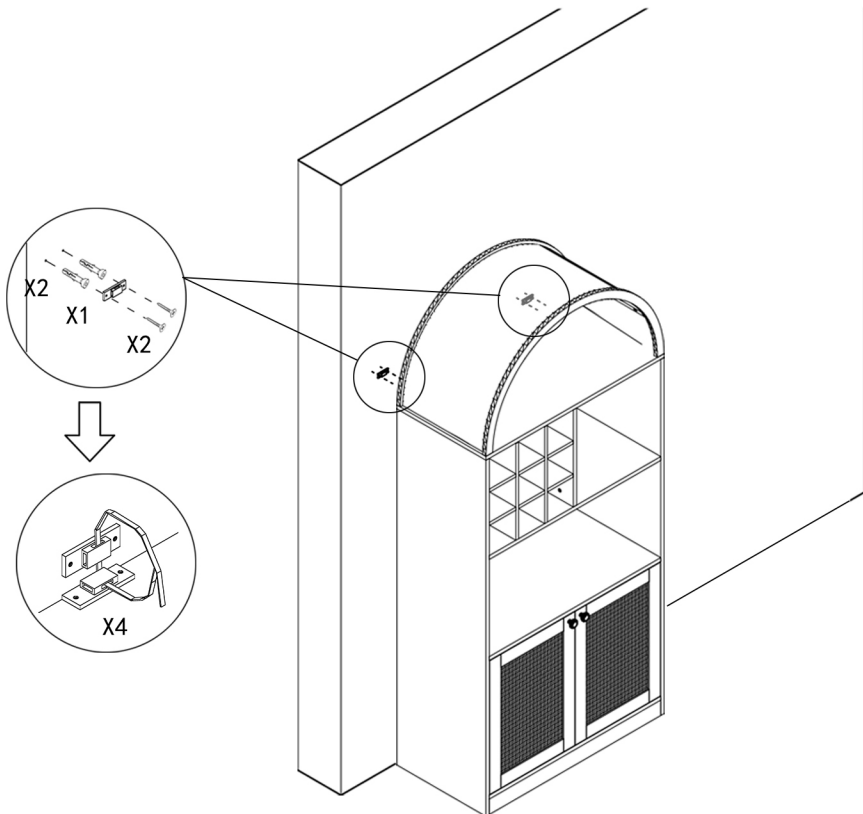


Please separate the parts in bag No.X according to the picture and mark them as X1, X2, X3, and X4.

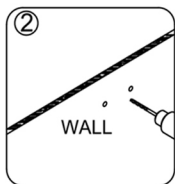


# STEP 29

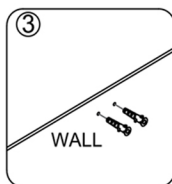
1. One side of the anti-toppling safety belt is installed on the cabinet body
2. The other side of the anti-toppling safety belt is mounted on the wall
3. The seat belt is fastened through both safety buckles and then tightened



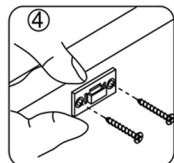
1. make mark on the wall



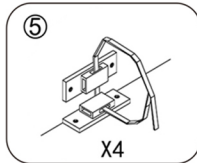
2. drill two Ø6 holes on the wall





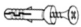
3. put two anchors in the holes



4. fix the device(X1) on the wall by the long screws(X2)



5. Push the cabinet close to the wall so that the two bases are close to each other, and then put on belt (X4) to tighten it.

	X1*2
	X4*2
	X2*4