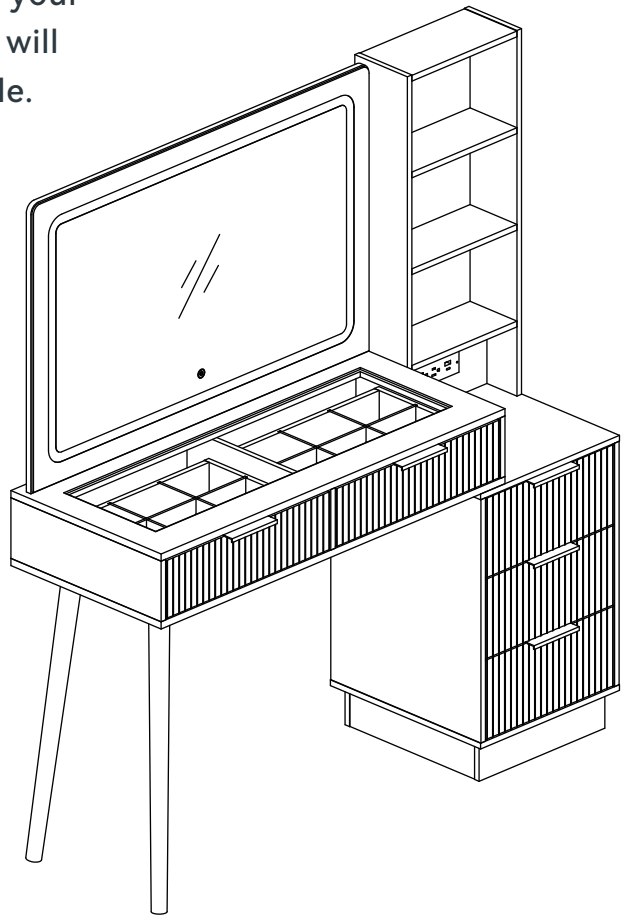


Dressing Table

Assembly Instruction - Please keep properly for future reference.

If you find any missing boxes, damaged parts, or accessory shortages, please contact the customer service team of your purchasing channel immediately. We will resolve the issue as quickly as possible.



Arrive in 2 separate boxes and may not be part of the same shipment; Please install the product after receiving all the packages.

THE FOLLOWING INFORMATION:

- Order number
- Purchase platform
- Purchase date
- Detailed description of the issue along with photos (if applicable)

Important – Please read these instructions carefully before starting the installation.

EN

Safety and Care Advice

Thank you for choosing this product! To ensure safe use and long-term maintenance, please read this manual carefully and keep it for future reference.

Important Notes:

- This product is designed for indoor use only and should not be used for commercial or outdoor purposes without authorization.
- Children under the age of 14 should not participate in the assembly process.

Important - Please read these instructions fully before starting assembly

1. Preparation Before Assembly

Check Components and Tools:

Refer to the provided parts list to ensure all components and fittings are included. If any parts are missing or damaged, please contact customer service immediately.

Required Tools:

Prepare a Phillips screwdriver, a spirit level, a rubber mallet, and expansion bolts or screws suitable for your wall type (not included).

Workspace:

- Assemble the product on a flat, soft surface (e.g., carpet) to avoid scratching the furniture.
- Ensure the workspace is spacious enough to lay out all components and facilitate assembly.

Safety Precautions:

- Keep children and pets away from the assembly area to prevent accidental injuries or swallowing of small parts.
- Assembly by two people is recommended to improve efficiency and ensure safety.

2. Assembly Instructions

Initial Fixing:

Assemble the components in the order specified in the manual. Do not skip any steps. Tighten screws and connectors loosely at first to allow for adjustments later.

Alignment Check:

Before fully tightening screws, ensure all grooves and holes are properly aligned to prevent incorrect assembly.

Wall Mounting (if applicable):

- Use the included anti-topple device to secure the furniture to the wall. If suitable wallmounting fittings are not provided, purchase appropriate expansion bolts and screws for your wall type.
- Follow the wall-mounting guidelines to prevent tipping hazards.

3. Post-Assembly Checks

- Verify that all parts are securely installed and screws are fully tightened.
- Ensure the anti-topple device is properly installed.
- Once the furniture is in its final position, use a spirit level to confirm it is level.

Usage Instructions

1. Safety Tips for Use

Prevent Tipping:

- Always use the included anti-topple device to secure the furniture and prevent accidents.
- Check the stability of the anti-topple device regularly.
- Open only one drawer at a time to maintain balance.

Weight Distribution:

- Place heavy items in the lower drawers or shelves to improve stability.
- Avoid placing heavy objects on top of the furniture unless it is designed for such use.

Child Safety:

- Do not allow children to climb, sit, or hang on the furniture.
- Keep small parts and sharp objects stored inside drawers or cupboards, out of children's reach.

2. Special Features (if applicable):

- Lighting System:
- Follow the instructions to correctly install electrical components, ensuring wires are not exposed.
- If the LED strip or switch needs replacement, consult a professional.

Maintenance Instructions

1. Cleaning and Care

- Wipe the surface with a slightly damp soft cloth and mild detergent. Avoid using bleach, solvents, or abrasive cleaners.
- Regularly clean underneath and behind the furniture to prevent dust accumulation.

2. Regular Checks

- Inspect screws and fittings regularly to ensure they are not loose, and tighten them if necessary.
- Check the anti-topple device to ensure it is securely connected, and adjust immediately if any looseness is detected.

3. Preventing Environmental Damage

- Avoid placing the furniture in damp areas to prevent material deformation or structural damage.
- Protect the furniture from prolonged exposure to direct sunlight to prevent discoloration or surface aging.

4. Product Disposal

- This product should not be disposed of as household waste. Please take the furniture to an authorized recycling facility in accordance with local regulations.
- For products containing electrical components, ensure proper recycling as per the European Union Waste Electrical and Electronic Equipment Directive (WEEE).

Safety Warnings

1. Anti-Tip Warning

To prevent serious injury or death caused by furniture tipping over:

- A. Always use the included anti-tip device or other suitable wall-mounting hardware to securely anchor the furniture to the wall.
- B. Do not allow children to climb, hang, or play on the furniture.
- C. Only open one drawer at a time.
- D. Avoid placing heavy items on the top drawer or the top surface of the furniture.

2. Installation Warnings

- Follow the assembly steps as outlined in the manual.
- Do not use high-torque power tools to avoid damaging screws or fittings.
- Do not move the furniture or place heavy items on it until assembly is fully completed.

3. Child Safety

- This product is not a toy. Keep all small parts and packaging materials out of reach of children.
- Using the anti-tip device is essential to ensure child safety.

4. Electrical Safety (If Applicable)

- Before using the product, ensure all electrical components are properly connected.
- Do not attempt to disassemble or modify the electrical parts. For replacements, consult a qualified electrician.

Customer Care

If you encounter any of the following issues, please contact our customer service team promptly:

- Missing or damaged parts.
- Questions during assembly.
- Issues related to product use or maintenance.

To assist us in resolving your concerns quickly, please provide the following information:

- Order number.
- Purchase platform.
- Purchase date.
- Detailed description of the issue and photos (if applicable).

Compliance with European Market Regulations

- This manual complies with the General Product Safety Directive (GPSD) and relevant regulations for furniture product instructions in the UK (Bs14749), Germany, France, Spain, and Italy.
- All warnings and maintenance guidance provided are intended to ensure user safety and prolong the product's lifespan.

Thank you for your support and trust. Enjoy your product!

CUSTOMER SERVICE GUIDE

Thank you for choosing our product! We are committed to providing you with excellent service. If you find any missing parts, damaged packaging, or product damage after receiving all packages, please follow the steps below to quickly contact our customer service team. We will do our best to resolve your issue.

1. Missing Parts

Verify Parts:

1. Refer to the “Parts List” in the manual to verify the name, specifications, and quantity of the missing parts.
2. Take a clear photo of the parts list and mark the missing parts with detailed information, e.g., “Missing 5 pieces of M6X30mm screws.”

Contact Us:

· By Email:

Send an email with the subject line “Missing Parts Issue.” Include the following information in the email:

- A description of the missing parts and a photo of the parts list.
- Order details (order number, purchase platform, purchase date).

2. Product or Packaging Damage

If it affects normal use:

Steps:

1. Take clear photos or videos showing the damaged parts and the extent of the damage (multiangle shots are recommended).
2. Email the photos/videos along with the order details with the subject line ‘Product Damage Issue.’

Resolution:

After verification, we will arrange for a replacement part, product exchange, or refund as quickly as possible.

If it does not affect normal use:

Steps:

1. Contact our customer service team
2. Provide a description of the damage and include relevant photos or videos.

Resolution:

We will provide repair guidance or an appropriate compensation plan based on the specific situation.

Helpful Tips

To process your issue efficiently, please prepare the following information:

- Order details (order number, purchase platform, purchase date).
- Clear photos or videos.
- We are committed to providing quick and professional solutions, no matter the size of the issue, to ensure your satisfaction.

Thank you for your trust and support! We hope you enjoy using our product!

A Guide to Wall Mounting & Fixings

Important note:

If plastic wall plugs (rawl plugs) are supplied with your product, e.g.:



- these are only suitable for use in masonry walls.

If you are in any doubt about the correct wall plugs for your wall, seek professional advice.


Failure of the product due to using the incorrect fixings is the responsibility of the installer.



Important: when drilling into walls always check that there are no hidden wires or pipes etc.

Make sure that the screws and wall plugs being used are suitable for **supporting your unit**. **Consult a qualified tradesperson if you are unsure.**

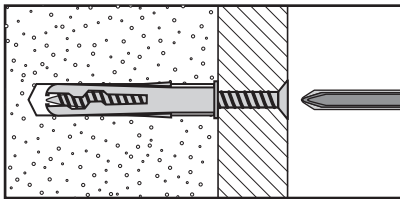
Hints:

- 1: General rule:  always use a larger screw and wall plug if you are not sure.
- 2: Ensure you use the recommended drill bit to match the wall plug and hole size.
- 3: Ensure you drill the hole horizontally; do not force the drill or enlarge the hole.
- 4: Take extra care when drilling high walls, ceilings and ceramic tiles. Ensure wall plugs are inserted beyond the thickness of the ceramic tiles to avoid the tiles splitting or cracking.
- 5: Ensure wall plugs are well fitted and are a tight fit in the drilled hole.

Types of walls

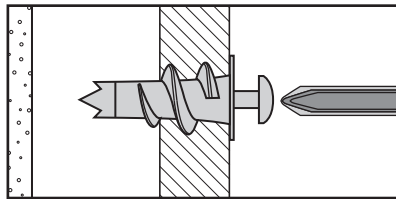
You can use one of the following types of wall plug if your walls are made of brick, breeze block, concrete, stone or wood.

No.1 "General Purpose" wall plug



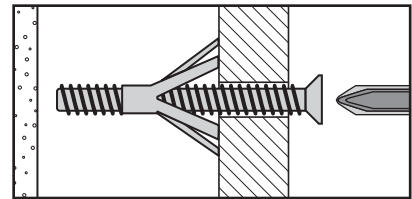
Generally aerated blocks should not be used to support heavy loads, use a specialist fitting in this case. For light loads, general purpose wall plugs can be used.

No.2 "Plasterboard" wall plug



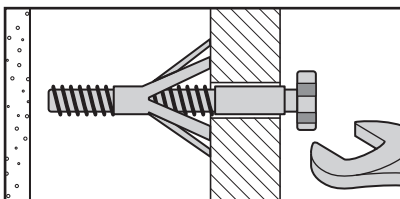
For use when attaching light loads onto plasterboard partitions.

No.3 "Cavity Fixing" wall plug



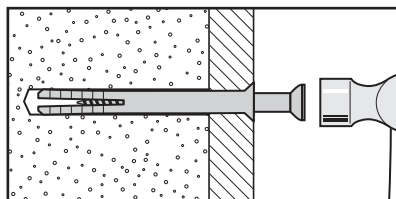
For use with plasterboard partitions or hollow wooden doors.

No.4 "Cavity Fixing – Heavy Duty" wall plug



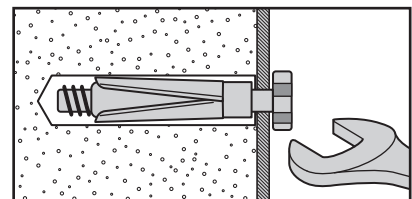
For use when fitting or supporting heavy loads such as shelving, wall cabinets and coat racks.

No.5 "Hammer Fixing" wall plug



For use with walls stuck with plasterboard. The hammer fixing allows it to be fixed to the wall rather than the plasterboard. Always check the fixing is secure to the retaining wall.

No.6 "Shield Anchor" wall plug – heavy loads



For use with heavier loads such as TV and HiFi speakers and satellite dishes etc.



Care & Maintenance

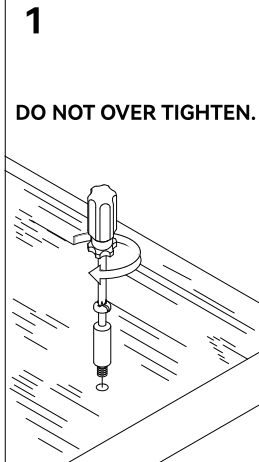
Safety: always check the fitting and location to ensure your safety in and around the home.

Fitting: from time to time check the fitting to ensure the wall plugs or screws do not become loose.

Using Camlocks

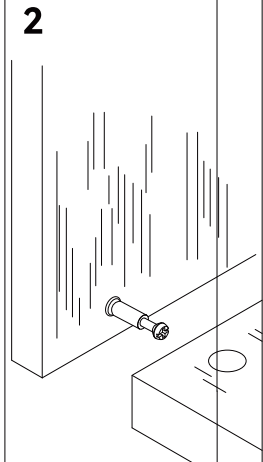
Step 1

- Attach the Male Camlock.
- Insert the male camlock into the designated hole on the panel as shown in the instructions.
- Secure it firmly using a screwdriver, ensuring it is tightly fitted.



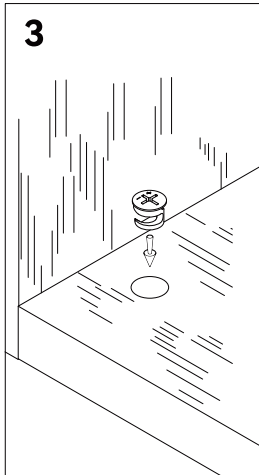
Step 2

- Insert the Male Camlock into the Entry Hole.
- Push the panel with the male camlock into the corresponding entry hole of the other panel.
- Ensure the panels are aligned correctly to avoid damage during installation.



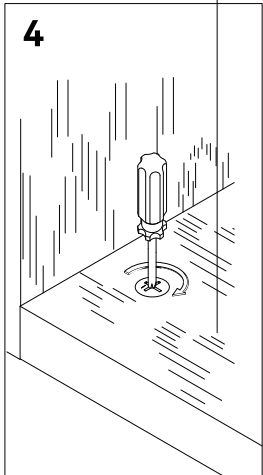
Step 3

- Install the Female Camlock.
- Insert the female camlock into the predrilled hole on the receiving panel.
- Ensure the arrow on the top of the camlock points towards the entry hole for the male camlock.



Step 4

- Tighten the Female Camlock.
- Using a screwdriver, turn the female camlock clockwise until it locks the male camlock in place.
- You should feel a click or resistance once the camlock is fully secured.



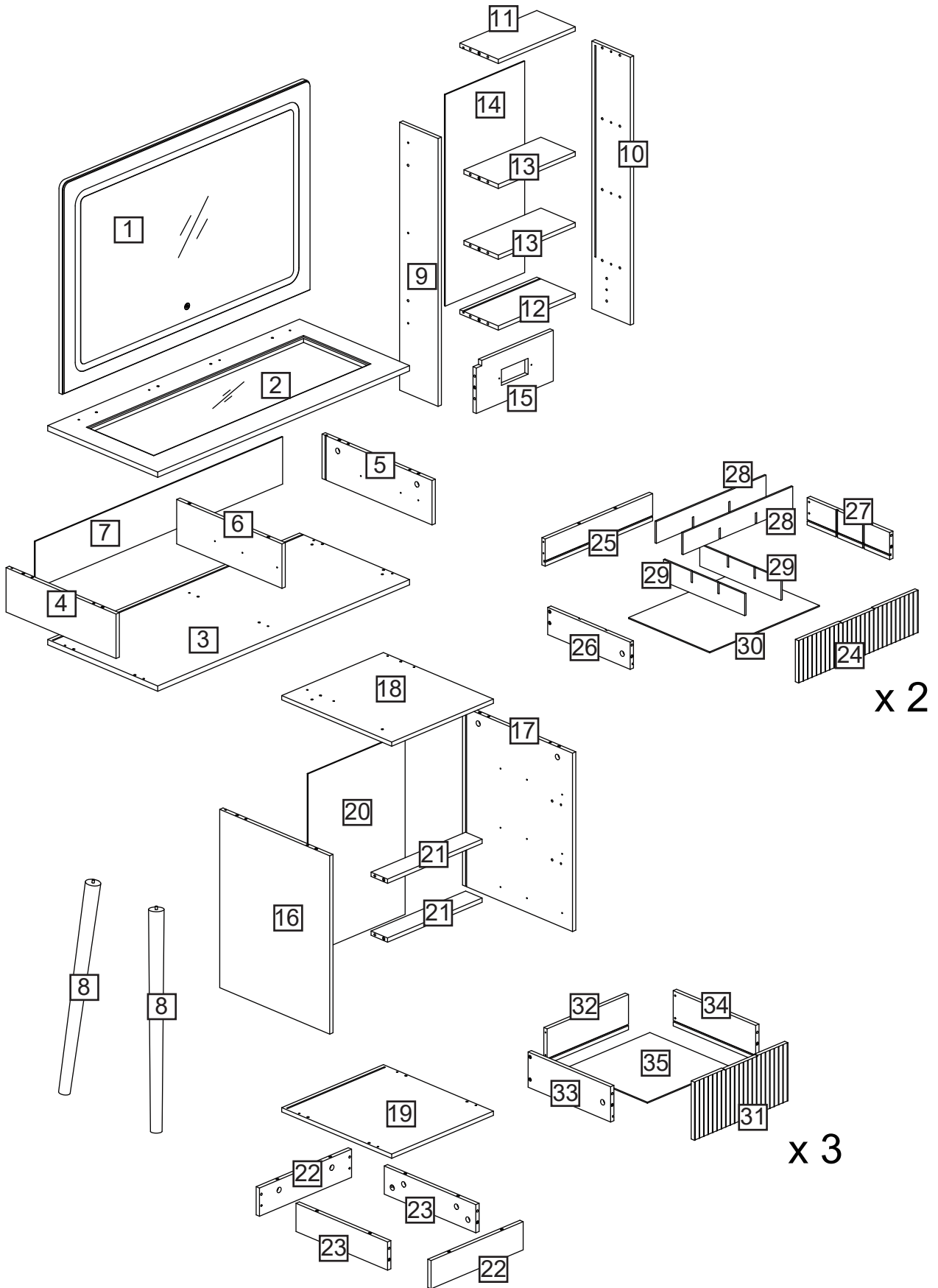
Note:

- Do not overtighten to prevent damage to the camlock or the panel.
- Ensure all camlocks are installed firmly before proceeding to the next assembly step.

Tips for Best Results:

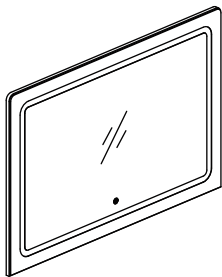
- Use a manual screwdriver to prevent overtightening.
- Double-check alignment of the panels before tightening the camlocks to avoid misalignment.
- If a camlock feels loose, disassemble and check for proper positioning before re-securing.

Assembly Instructions

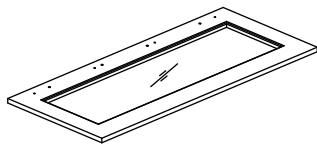


Parts List - Panels (Box 1)

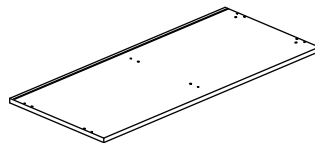
Please check you have all the panels listed below



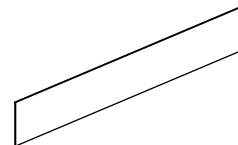
1 (900*600*16mm x1)



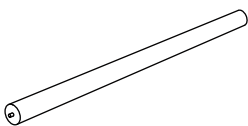
2 (916*400*15mm x1)



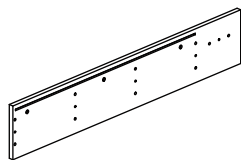
3 (916*400*15mm x1)



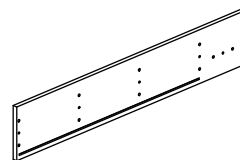
7 (900*134*3mm x1)



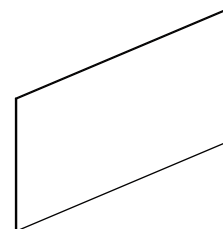
8 (600*60*60mm x2)



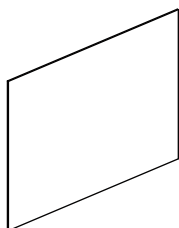
9 (760*140*12mm x1)



10 (760*140*12mm x1)



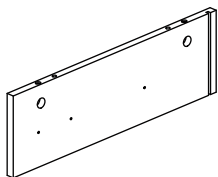
14 (600*289*3mm x1)



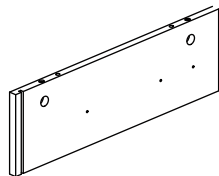
20 (515*353*3mm x1)

Parts List - Panels (Box 2)

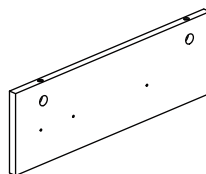
Please check you have all the panels listed below



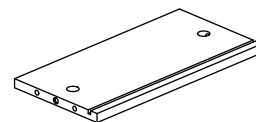
4 (400*126*12mm x1)



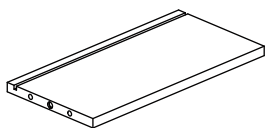
5 (400*126*12mm x1)



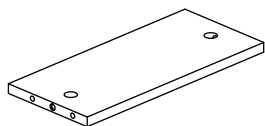
6 (384*126*12mm x1)



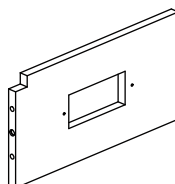
11 (280*140*12mm x1)



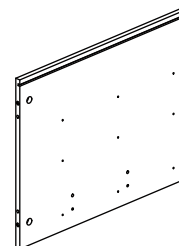
12 (280*140*12mm x1)



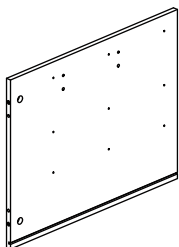
13 (280*122*12mm x2)



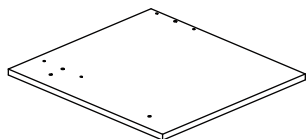
15 (280*144*12mm x1)



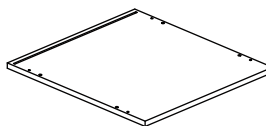
16 (506*40*12mm x1)



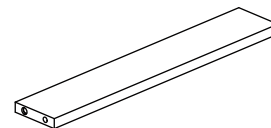
17 (506*40*12mm x1)



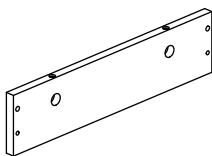
18 (370*400*12mm x1)



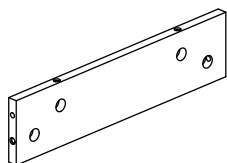
19 (370*400*12mm x1)



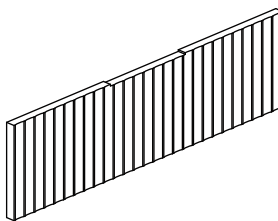
21 (344*60*12mm x2)



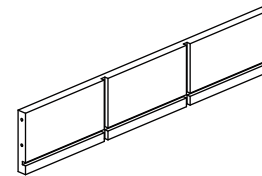
22 (335*80*12mm x2)



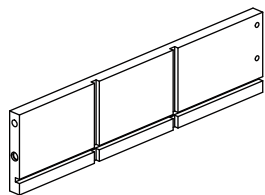
23 (333*80*12mm x2)



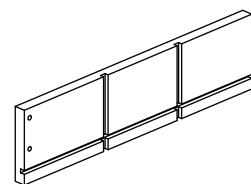
24 (435*120*12mm x2)



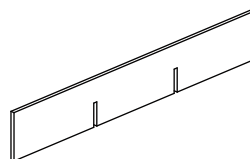
25 (391*77*12mm x2)



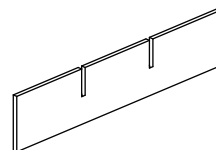
26 (300*77*12mm x2)



27 (300*77*12mm x2)



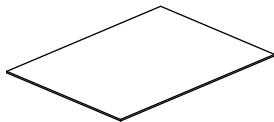
28 (399*62*5mm x4)



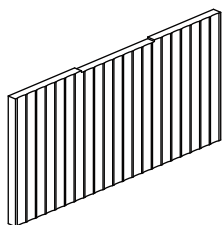
29 (295*62*5mm x4)

Parts List - Panels (Box 2)

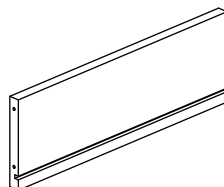
Please check you have all the panels listed below



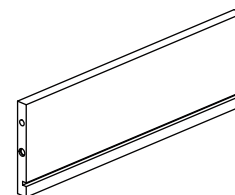
30 (399*295*3mm x2)



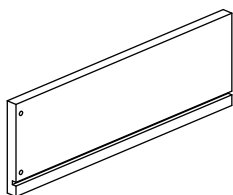
31 (340*165*12mm x3)



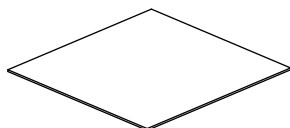
32 (296*100*12mm x3)



33 (300*100*12mm x3)



34 (300*100*12mm x3)

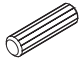
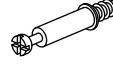

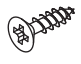

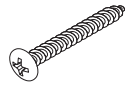
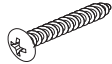

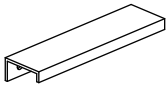
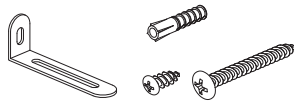
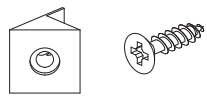
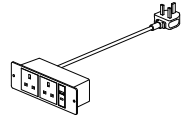
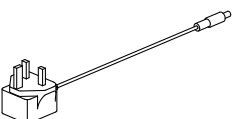
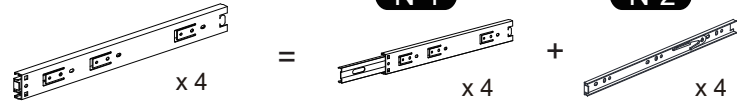
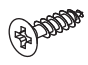
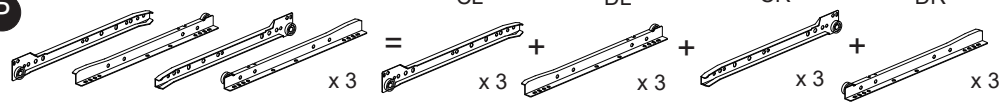
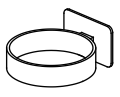


35 (304*295*3mm x3)

Parts List - Fittings (in Box 2)

Please check you have all the fittings listed below

Note: The quantities below are the correct amount to complete the assembly. In some cases more fittings may be supplied are required.

A  6*30mm Wooden Dowel x 64	B  6*35mm Cam Bolt x 46	C  Cam Lock x 46
D  3*12mm Screw x 60	E  3.5*12mm Screw x 10	F  4*40mm Screw x 21
G  4*35mm Screw x 20	H  6*25 mm Bolt x 2	I  x 5
J  x 2	K  x 8	L  x 1
M  x 1	N  x 4 = N-1 x 4 + N-2 x 4	
O  3*14mm Screw x 2	P  x 3 = CL x 3 + DL x 3 + CR x 3 + DR x 3	
Q  x 1		

Tools required



Phillips screwdriver
(medium & large)

Ruler - Use this ruler to help correctly identify the screws

mm

0 5 10 15 20 25 30 35 40 45 50 55 60 65 70 75 80 85 90 95 100 105 110 115 120 125 130 135 140 145 150 155 160 165 170



The screws length is measured from the head to the point (30mm screw shown).

0 1 2 3

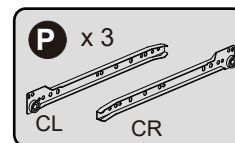
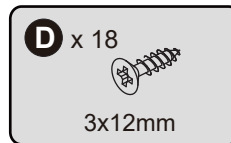
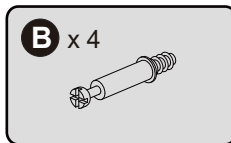
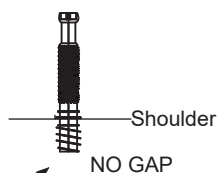
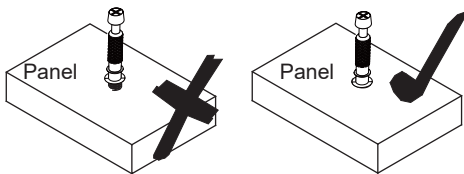
inch

Assembly Instructions

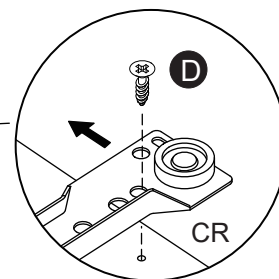
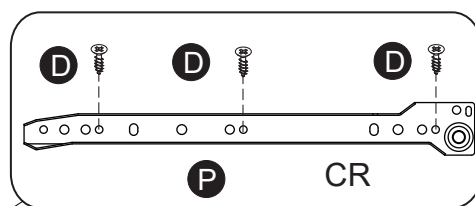
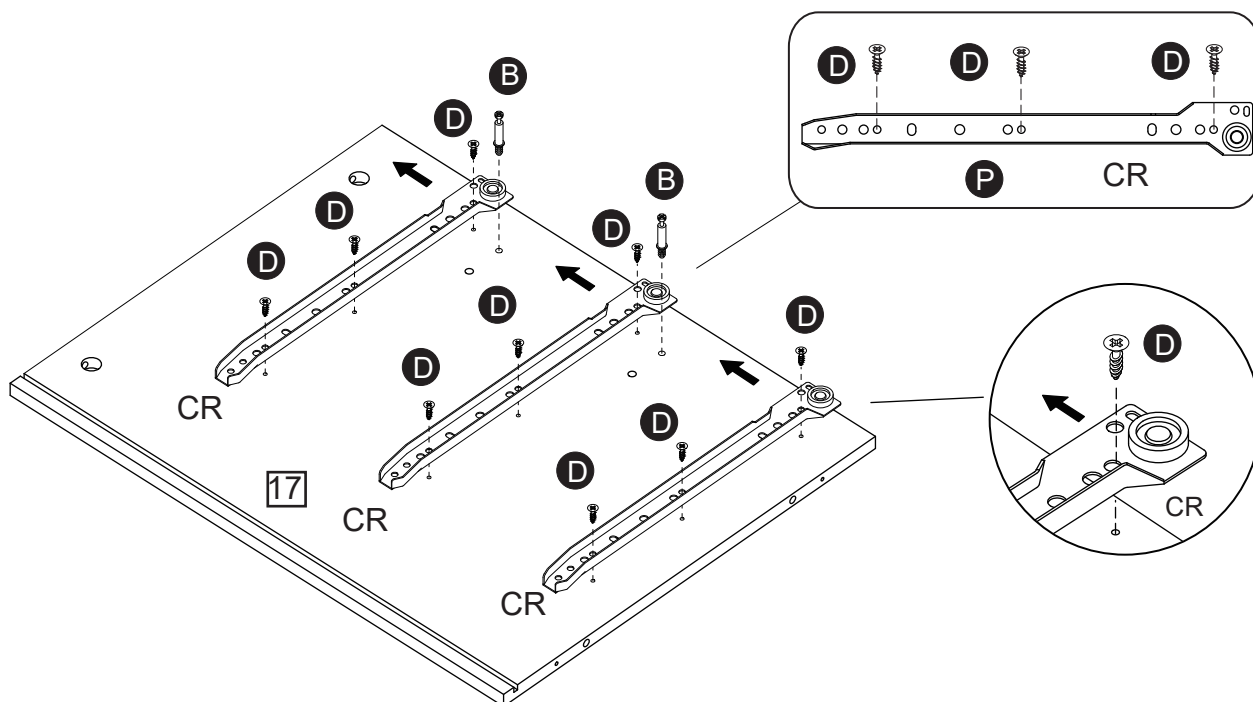
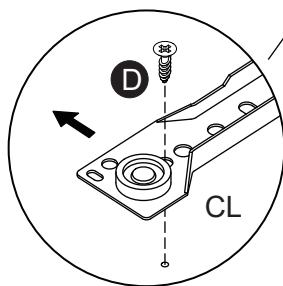
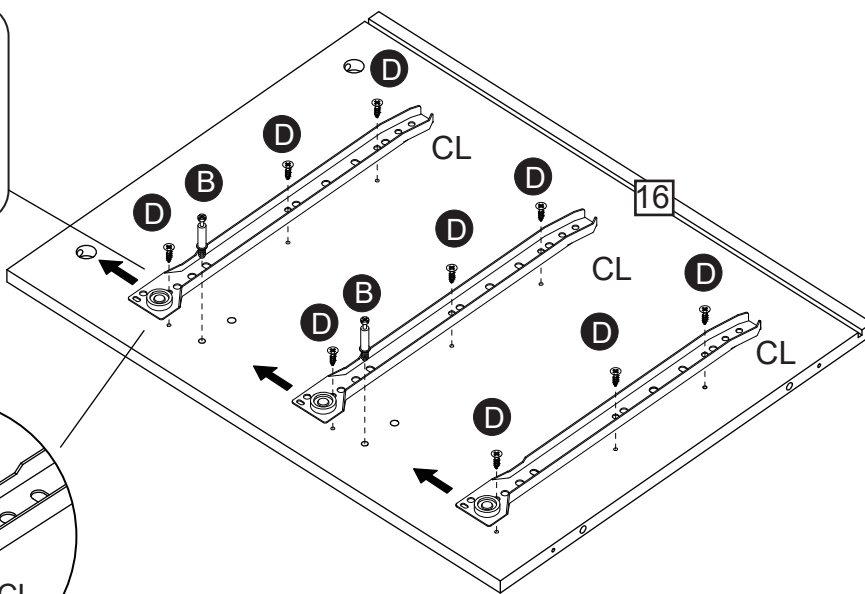
Step 1

CAM-LOCK

Tighten until shoulder is flush with panel. Do not overtighten or undertighten (see example below)



Use screw (D) to attach the runners (CL) and (CR) to panels (16) and (17) respectively. Then fix cam bolts (B) to panels (16) and (17).

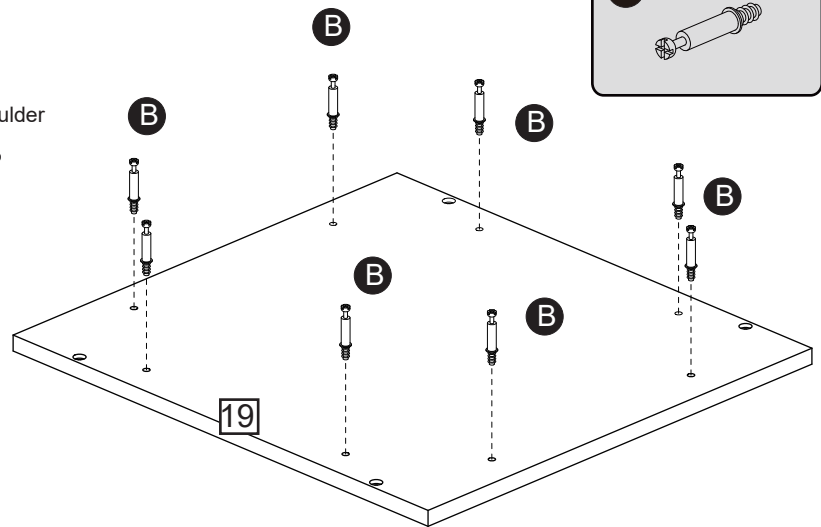
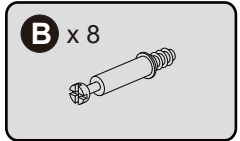
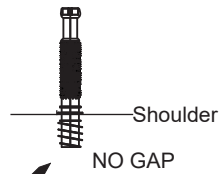
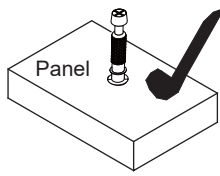
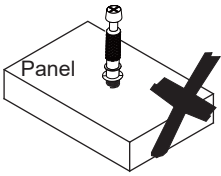


Assembly Instructions

Step 2

CAM-LOCK

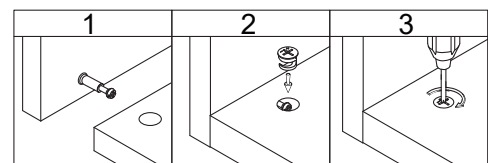
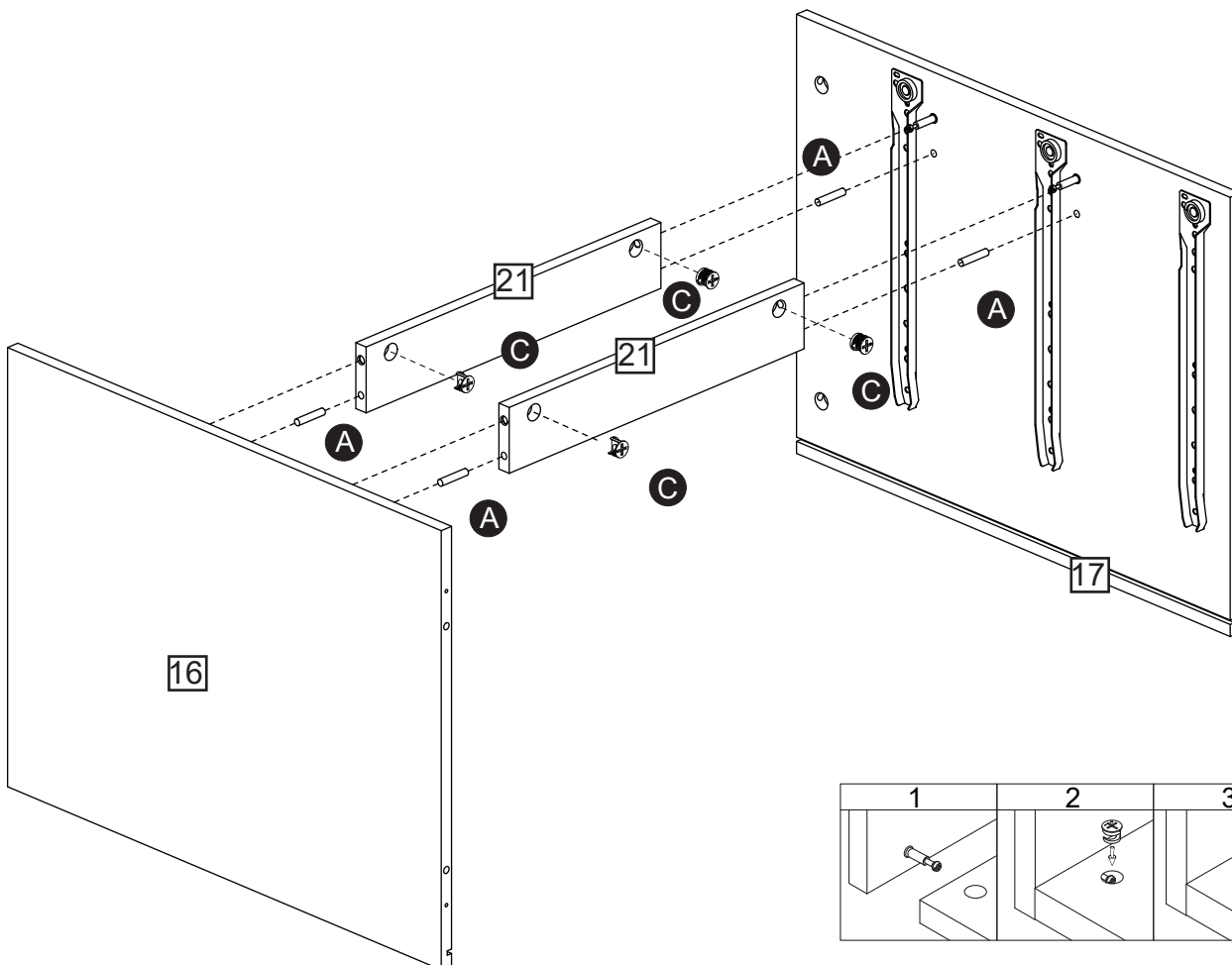
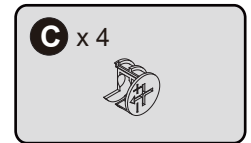
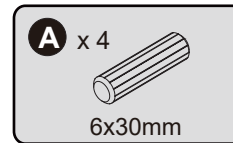
Tighten until shoulder is flush with panel. Do not overtighten or undertighten (see example below)



Fix cam bolts (B) to panel (19).

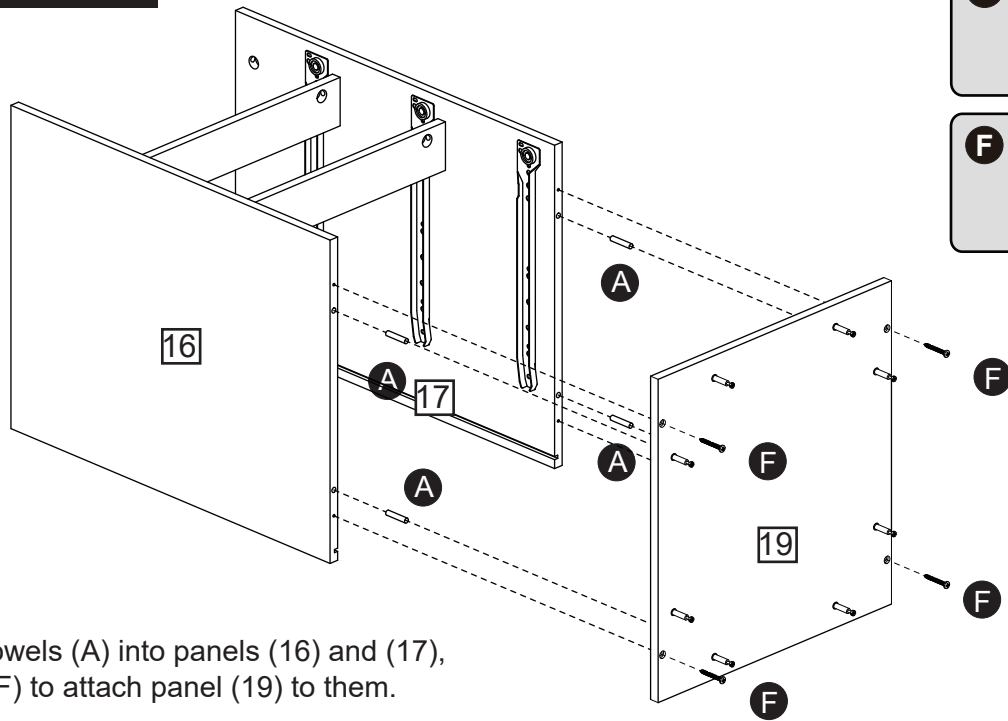
Step 3

Insert wooden dowels (A) into panel (21), then attach panels (16) and (17) to panel (21). Insert cam locks (C) and tighten.



Assembly Instructions

Step 4

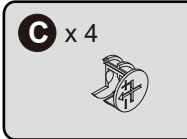
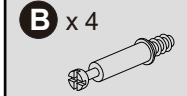
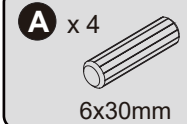
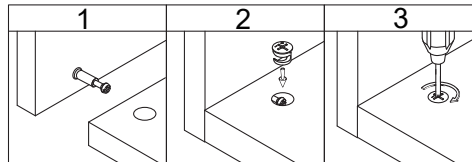
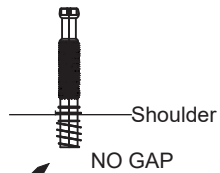
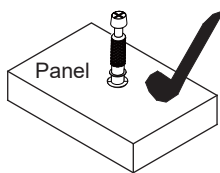
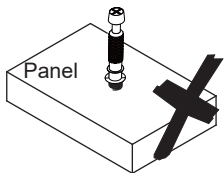


Insert wooden dowels (A) into panels (16) and (17), then use screw (F) to attach panel (19) to them.

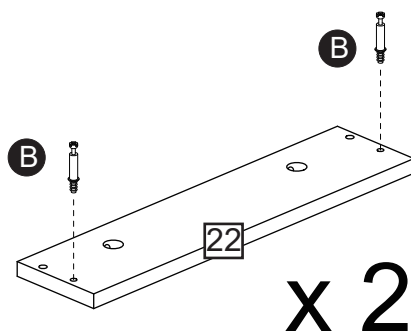
Step 5

CAM-LOCK

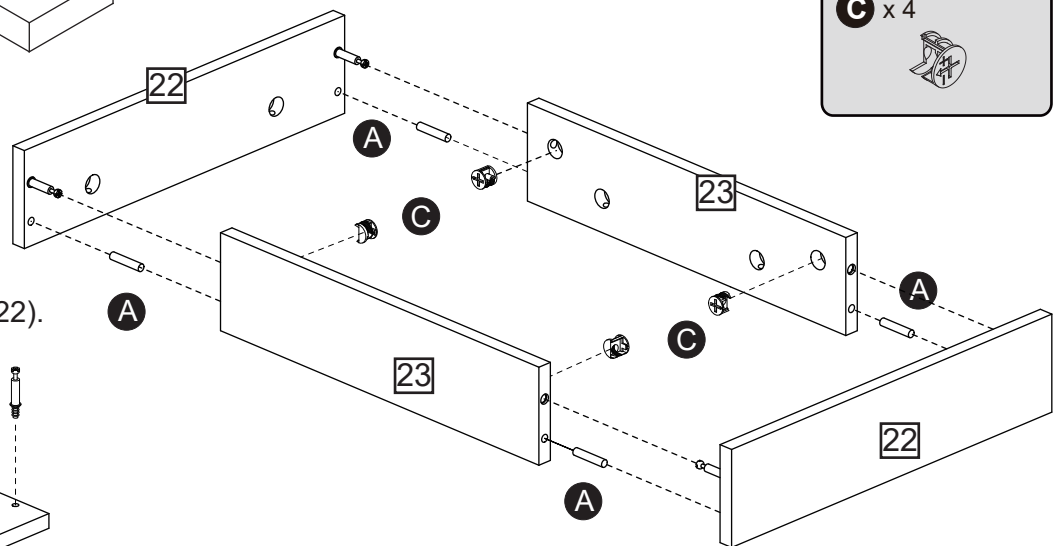
Tighten until shoulder is flush with panel. Do not overtighten or undertighten (see example below)



Fix cam bolts (B) to panel (22).



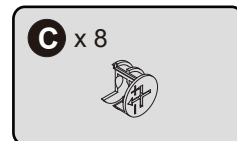
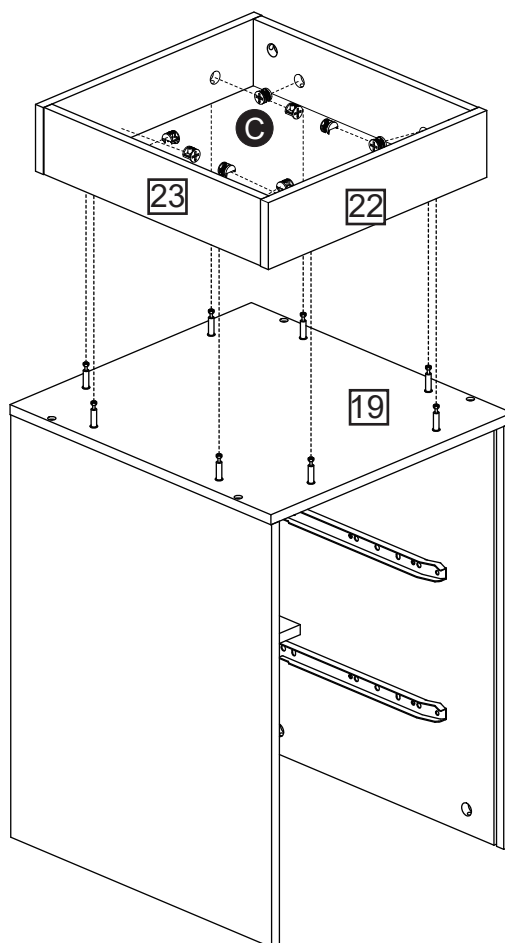
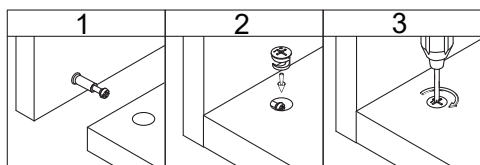
x 2



Insert wooden dowels (A) into panels (23), then attach panel (22) to panels (23). Insert cam locks (C) and tighten.

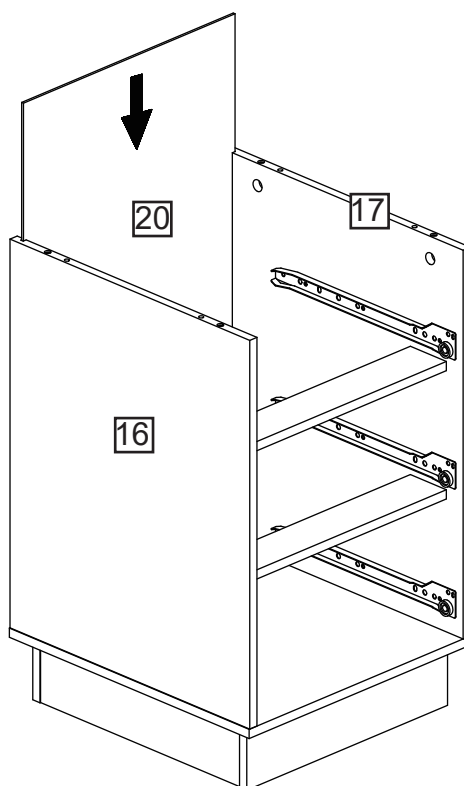
Assembly Instructions

Step 6



Attach panels (22) and (23) to panel (19), insert cam locks (C) and tighten.

Step 7



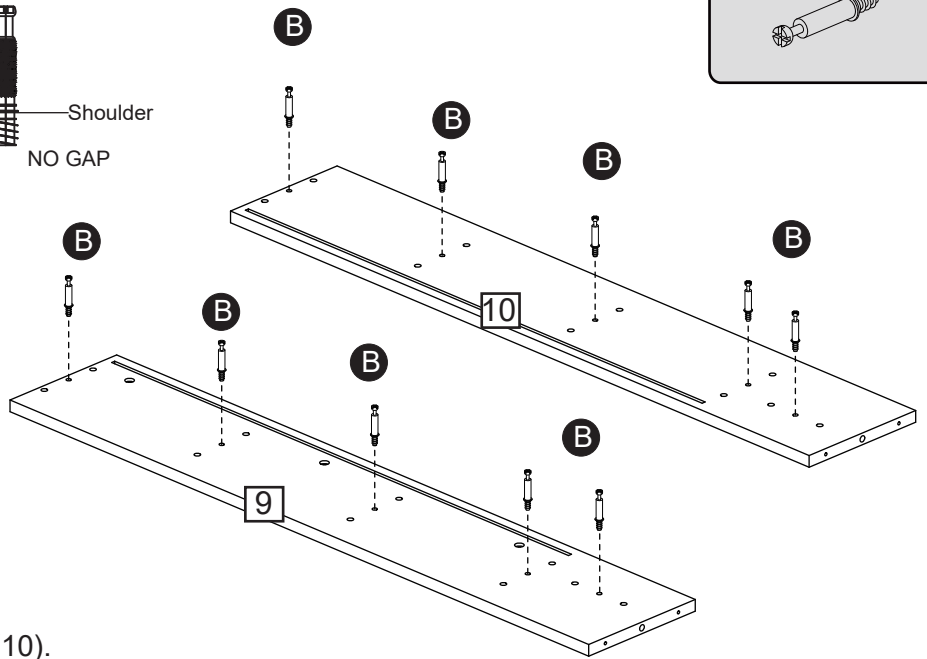
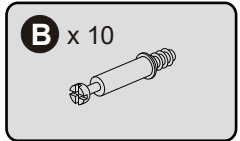
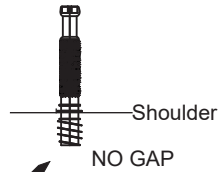
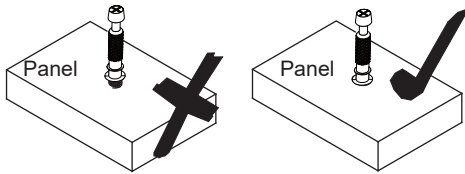
Insert panel (20) into the grooves of panels (16) and (17).

Assembly Instructions

Step 8

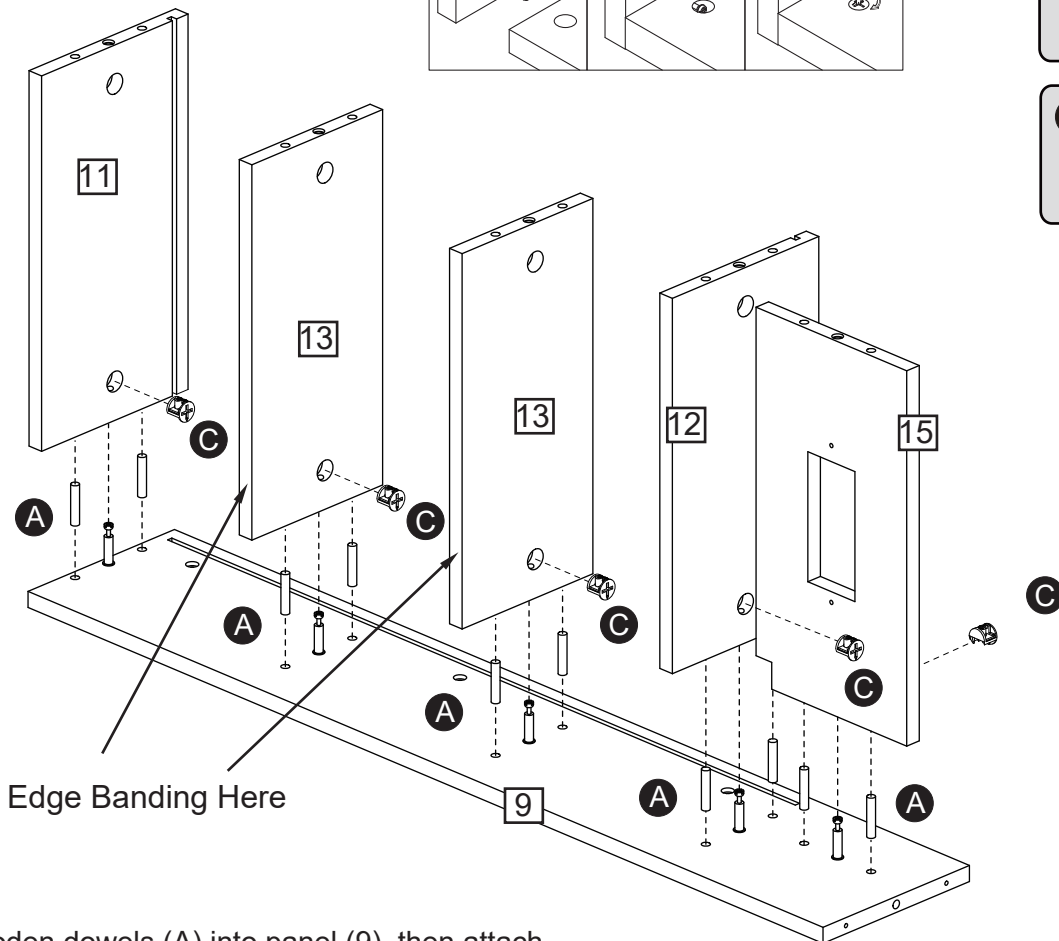
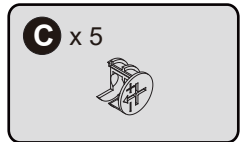
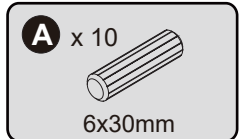
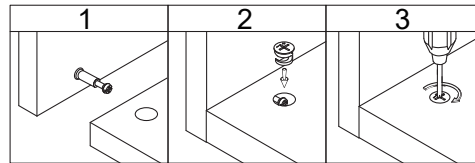
CAM-LOCK

Tighten until shoulder is flush with panel. Do not overtighten or undertighten (see example below)



Fix cam bolts (B) to panels (9) and (10).

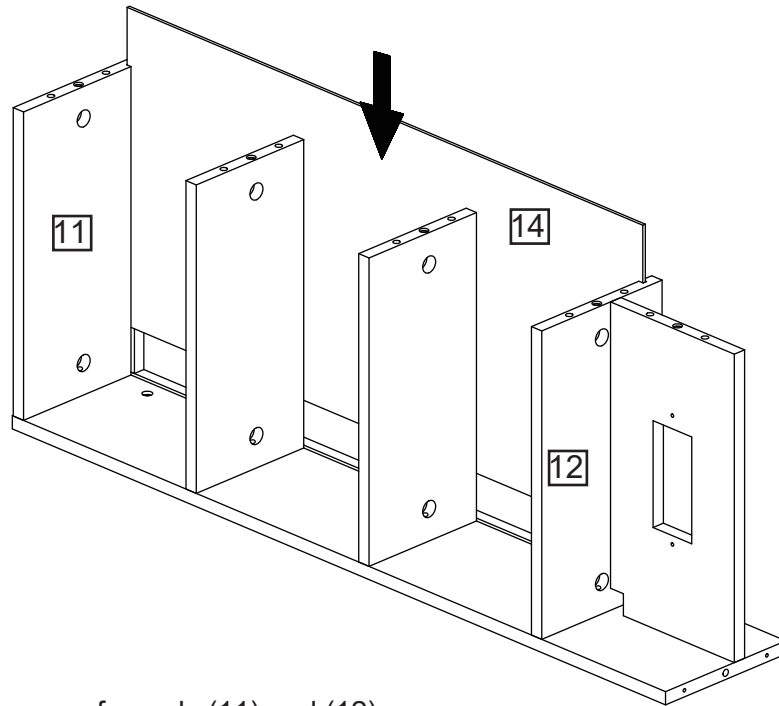
Step 9



Insert wooden dowels (A) into panel (9), then attach panels (11), (12), (13), and (15) to panel (9). Insert cam locks (C) and tighten.

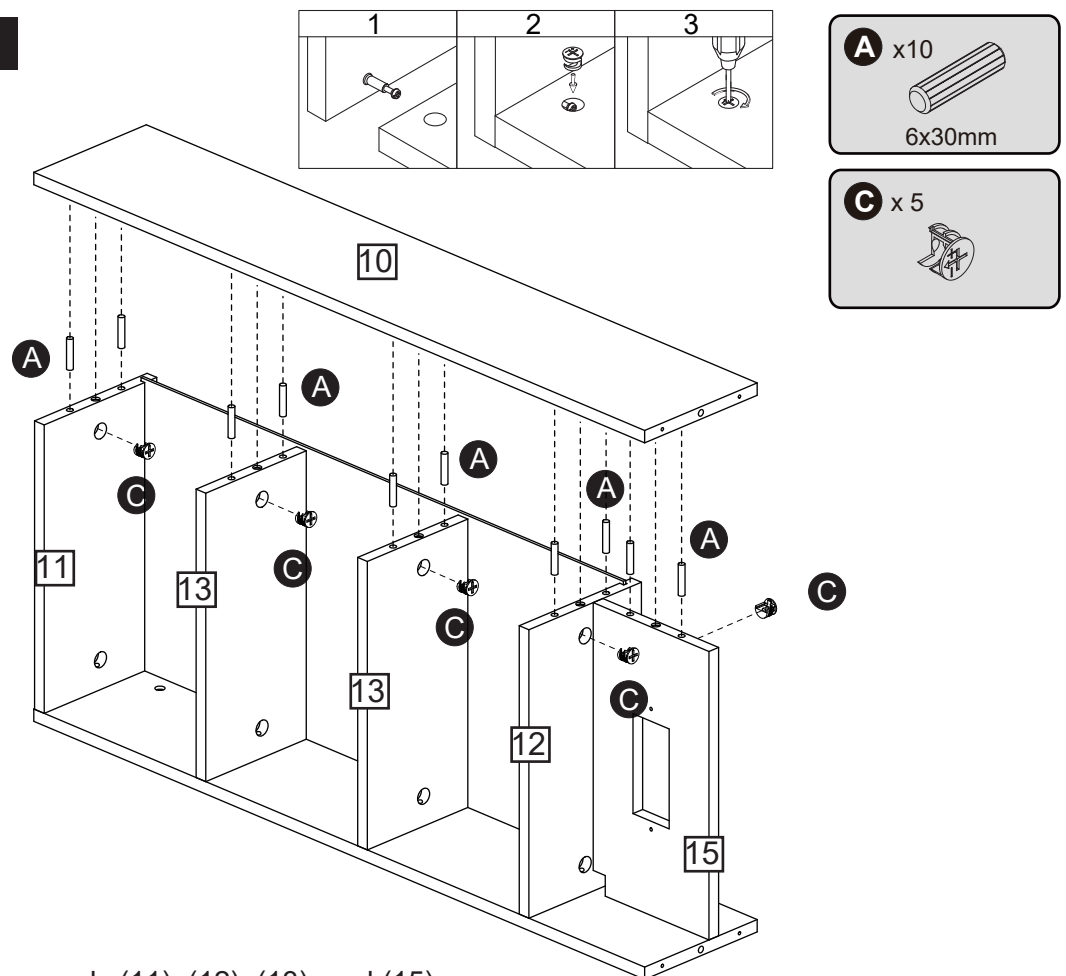
Assembly Instructions

Step 10



Insert panel (14) into the grooves of panels (11) and (12).

Step 11



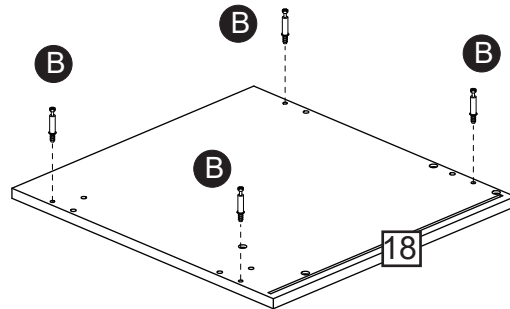
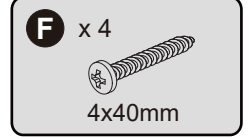
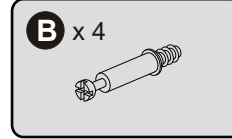
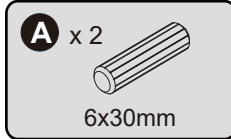
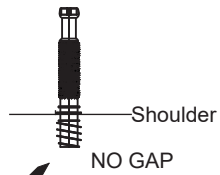
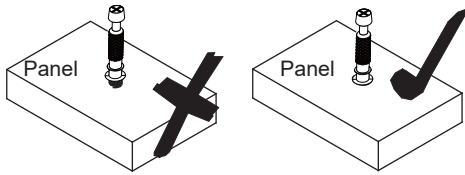
Insert wooden dowels (A) into panels (11), (12), (13), and (15), then attach panel (10) to panels (11), (12), (13), and (15). Insert cam locks (C) and tighten.

Assembly Instructions

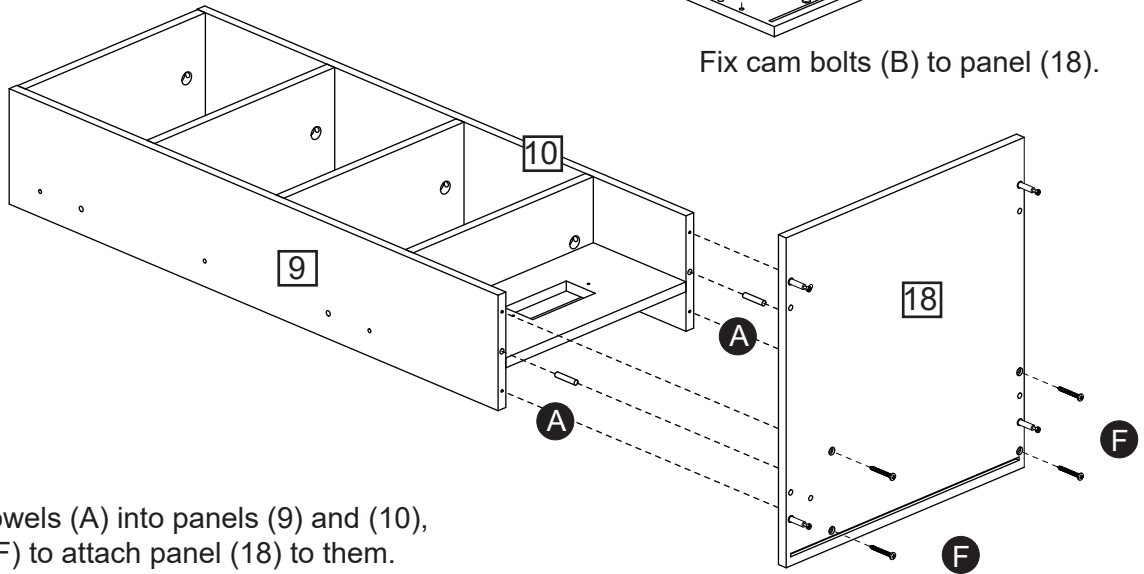
Step 12

CAM-LOCK

Tighten until shoulder is flush with panel. Do not overtighten or undertighten (see example below)



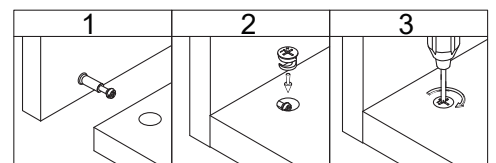
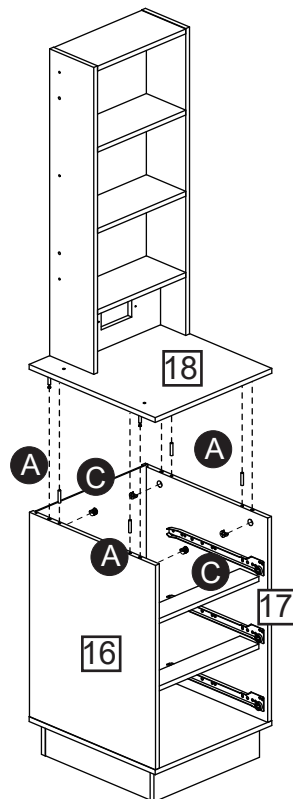
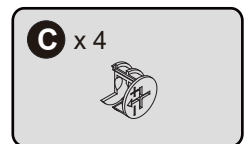
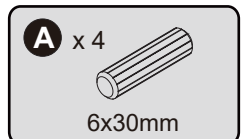
Fix cam bolts (B) to panel (18).



Insert wooden dowels (A) into panels (9) and (10), then use screw (F) to attach panel (18) to them.

Step 13

Insert wooden dowels (A) into panels (16) and (17), then attach panel (18) to panels (16) and (17). Insert cam locks (C) and tighten.

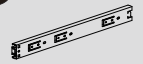


Assembly Instructions

Step 14

Following the direction of the arrows shown in the diagram, press and hold the tab on slide rail (N) to separate it into sections (N-1) and (N-2). Then, use screw (D) to attach part (N-1) to panels (4) and (5).

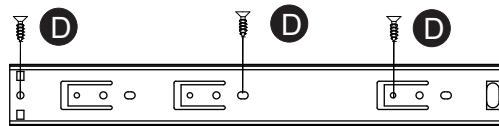
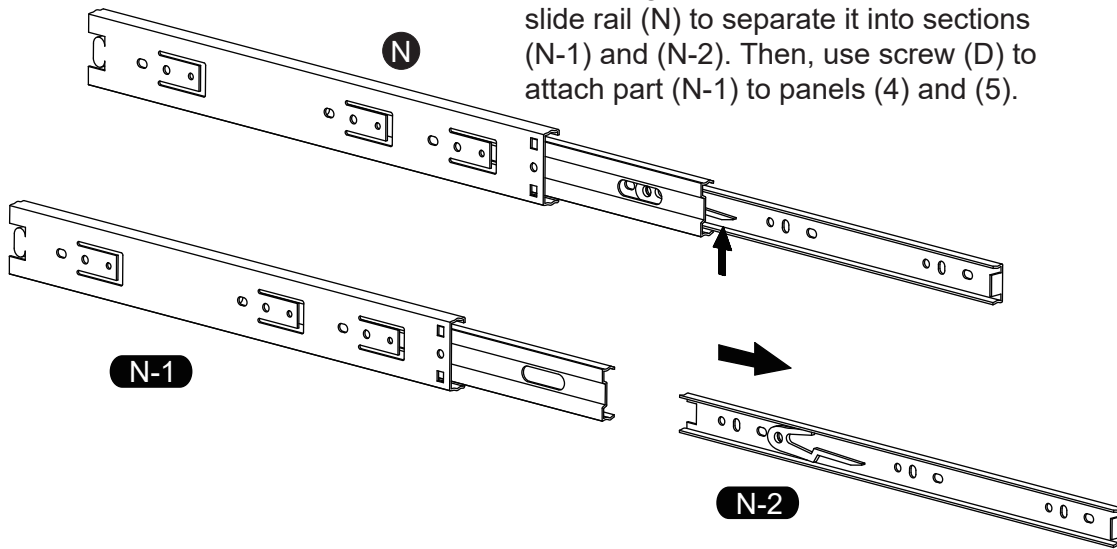
N x 2



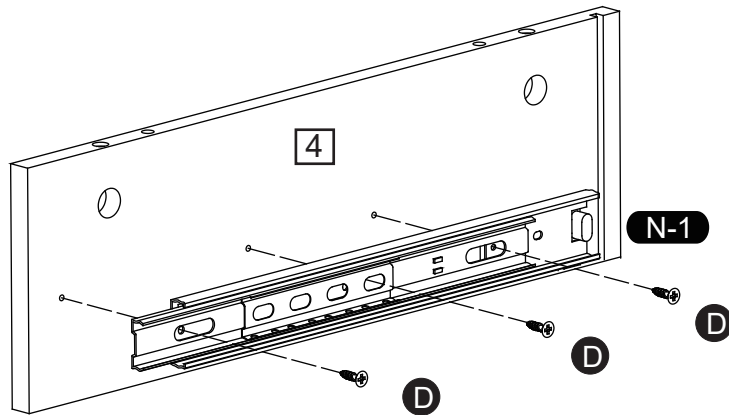
D x 6



3x12mm



N-1

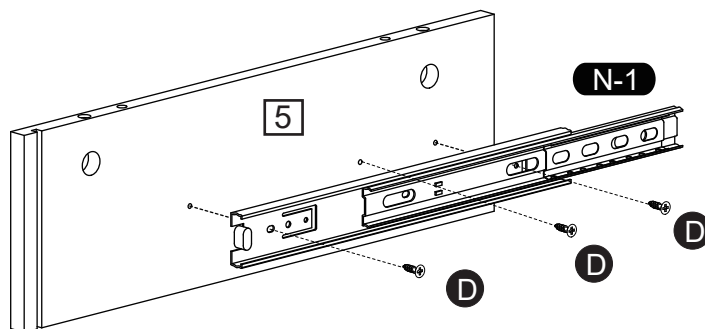


4

N-1



N-1

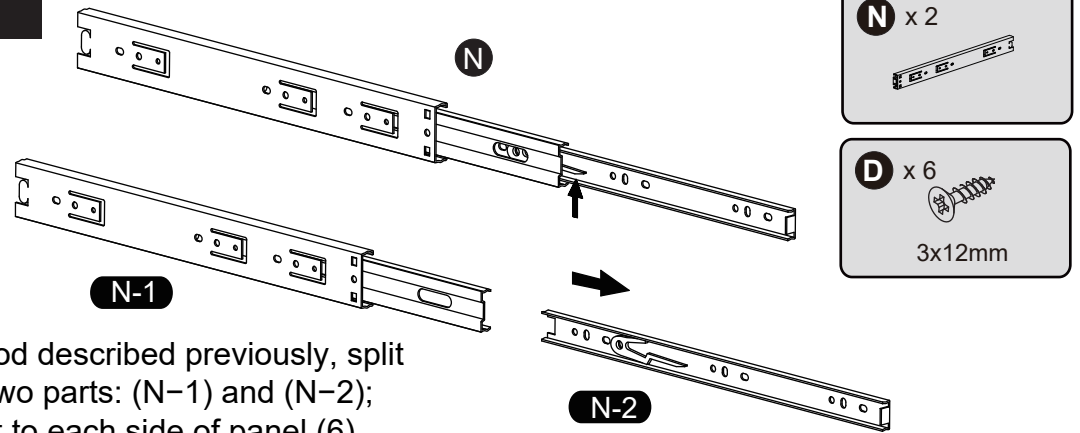


5

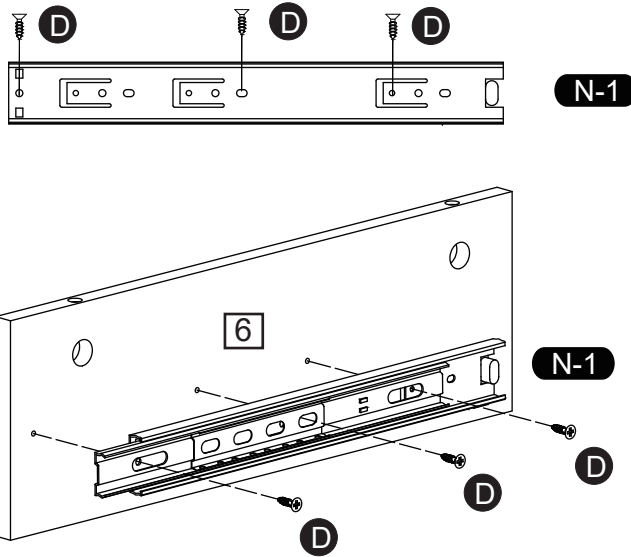
N-1

Assembly Instructions

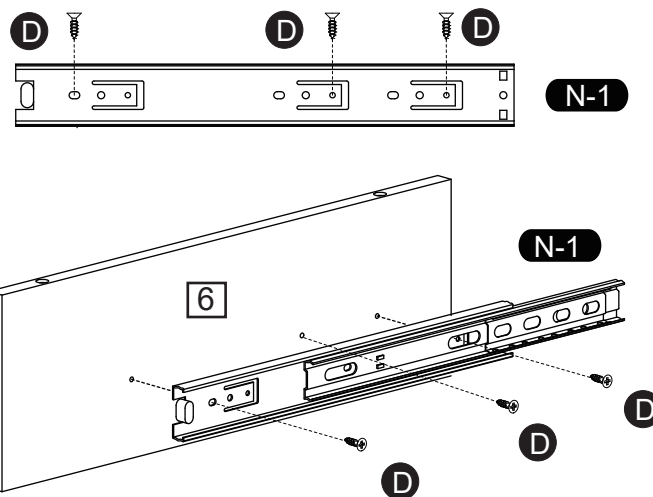
Step 15



Using the same method described previously, split the slide rail (N) into two parts: (N-1) and (N-2); then fit one (N-1) part to each side of panel (6).

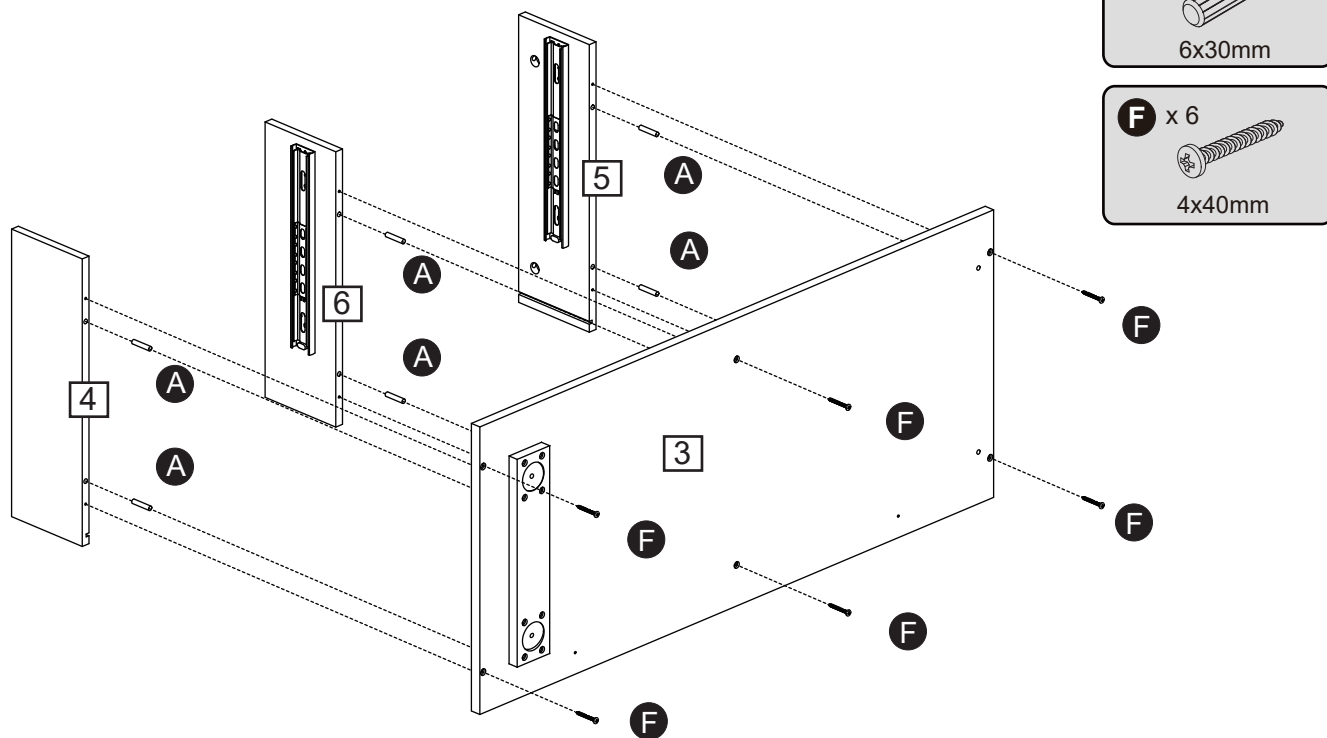


 Turn the panel over



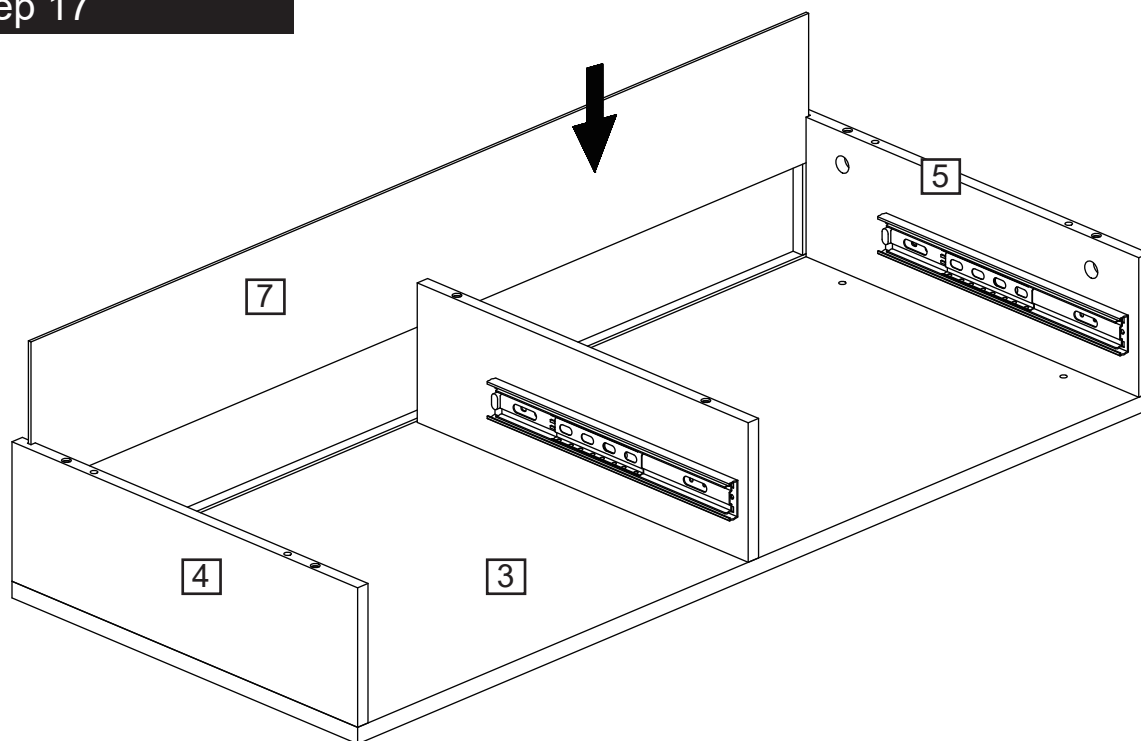
Assembly Instructions

Step 16



Insert wooden dowels (A) into panels (4), (5), and (6), then use screw (F) to attach panel (3) to panels (4), (5), and (6).

Step 17



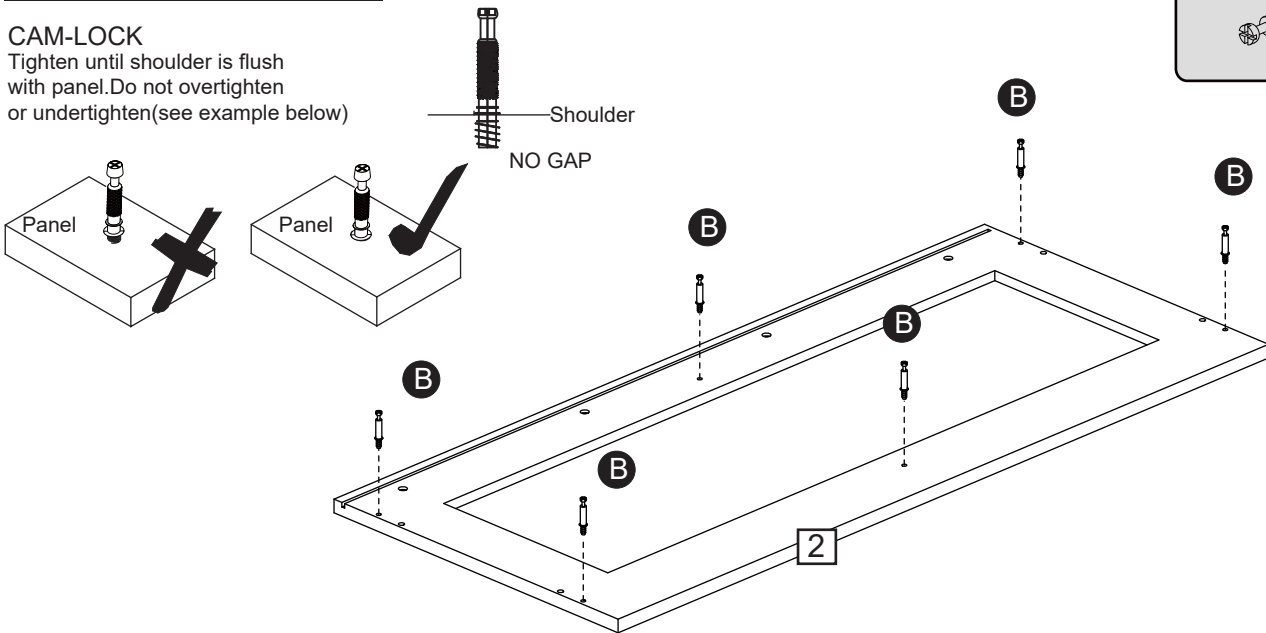
Insert panel (7) into the grooves of panels (4) and (5).

Assembly Instructions

Step 18

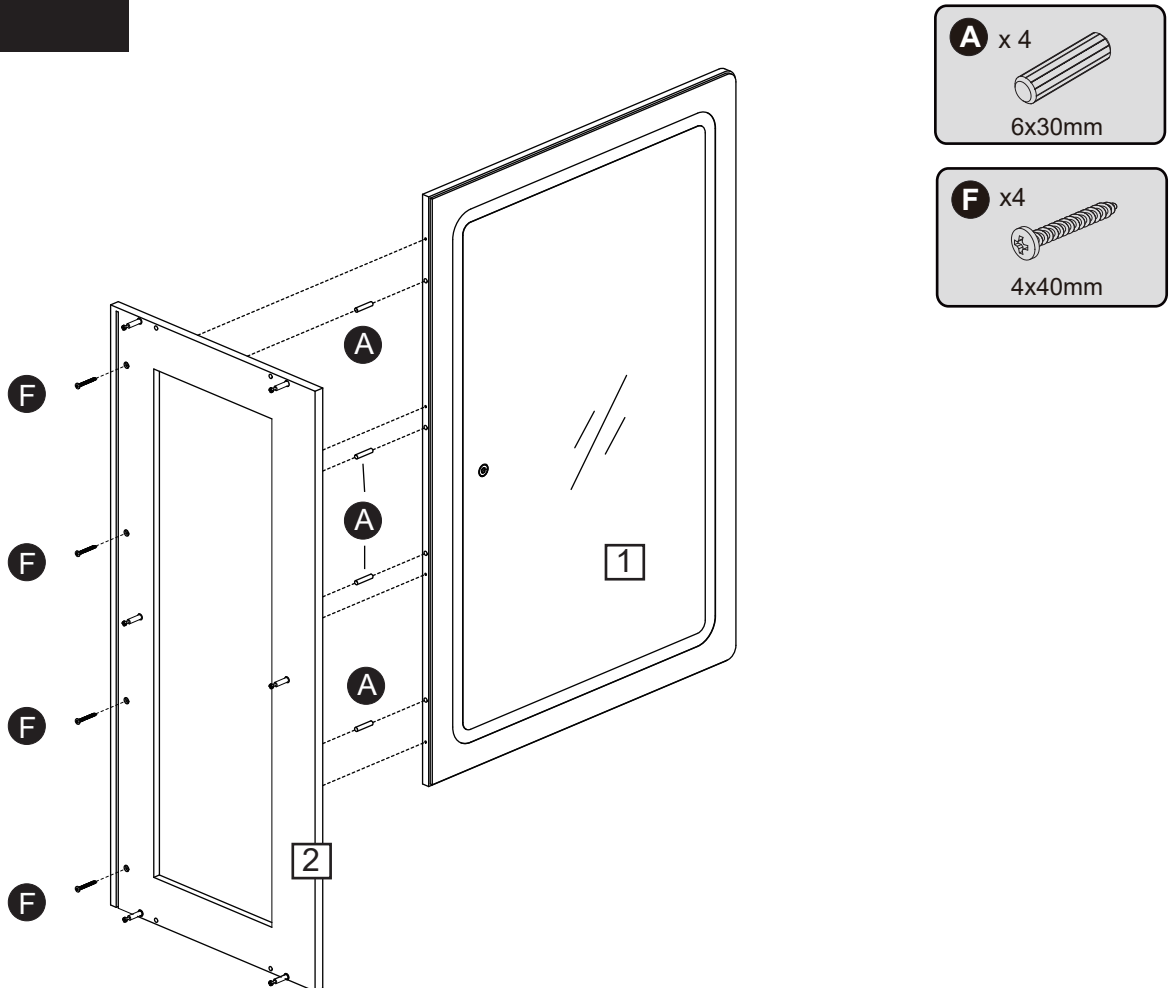
CAM-LOCK

Tighten until shoulder is flush with panel. Do not overtighten or undertighten (see example below)



Fix cam bolts (B) to panel (2).

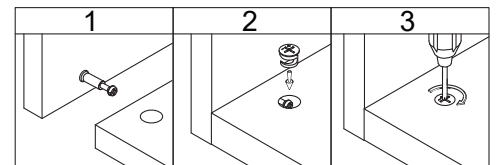
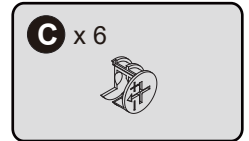
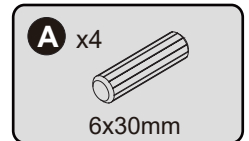
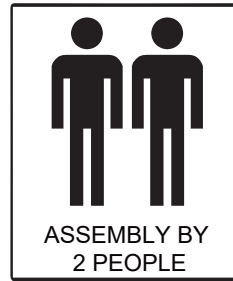
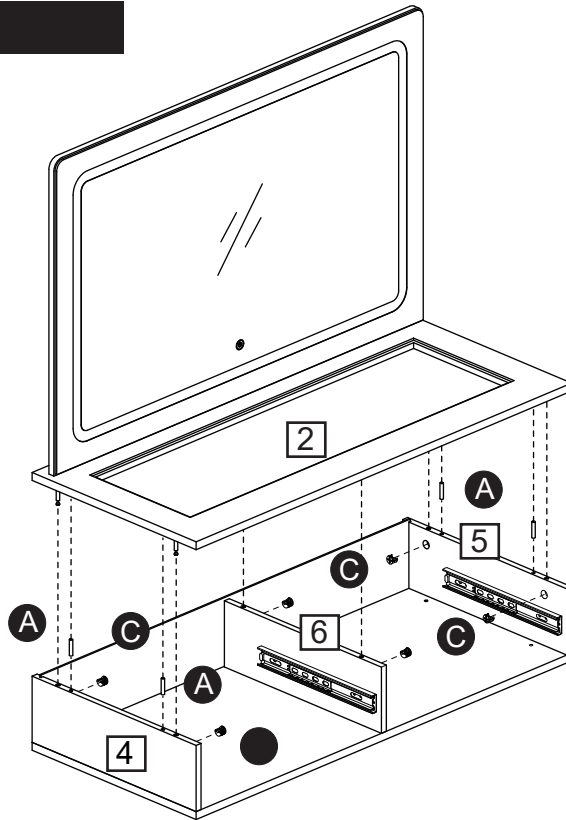
Step 19



Insert wooden dowels (A) into panel (1), then use screw (F) to attach panel (2) to panel (1).

Assembly Instructions

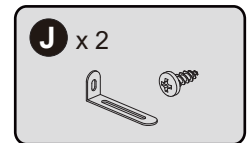
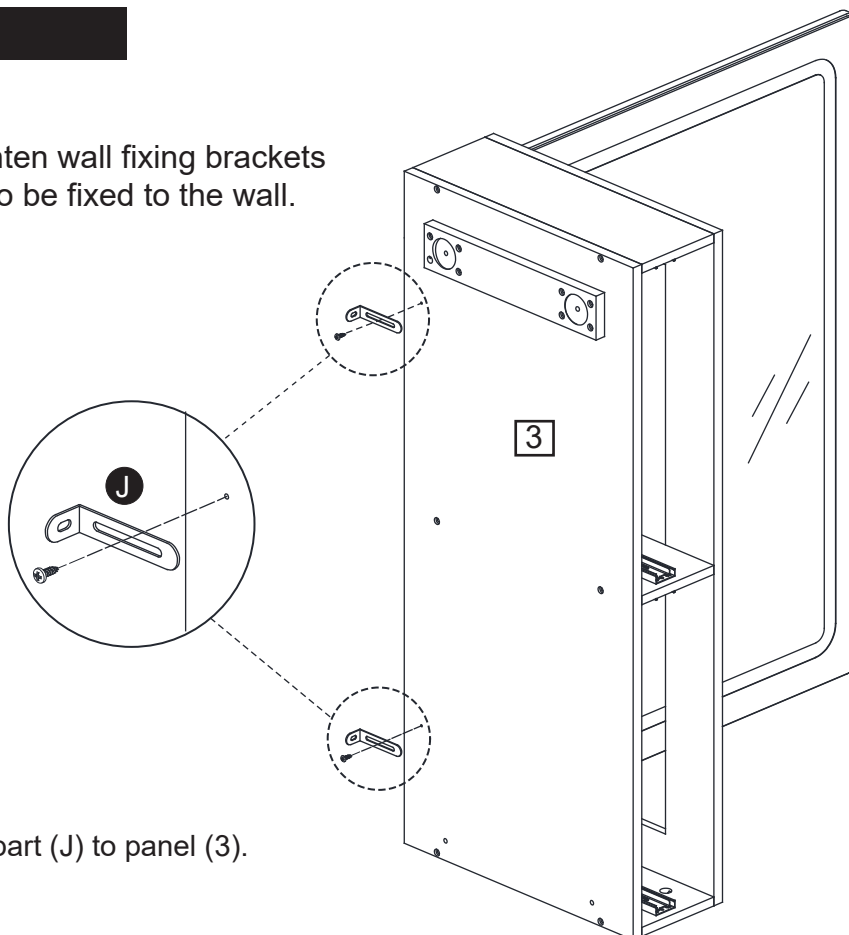
Step 20



Insert wooden dowels (A) into panels (4), (5), then attach panel (2) to these panels. Insert cam locks (C) and tighten.

Step 21

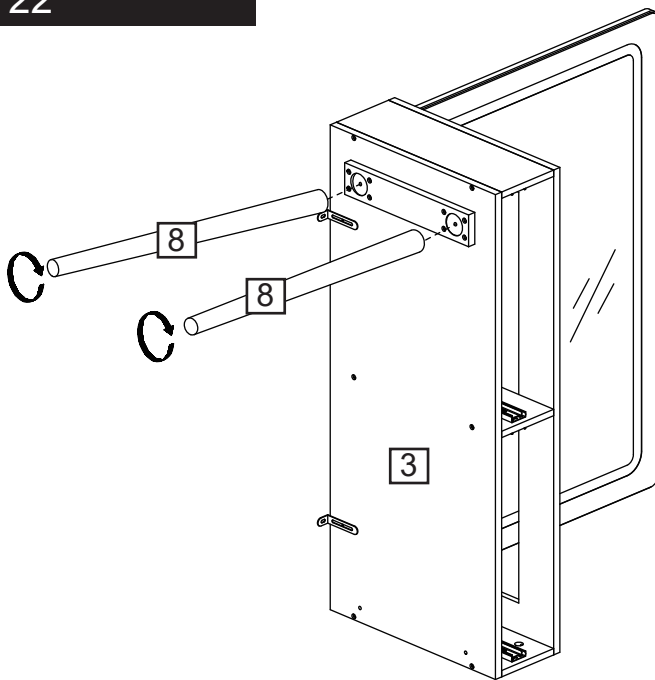
Do not fully tighten wall fixing brackets until it's ready to be fixed to the wall.



Attach part (J) to panel (3).

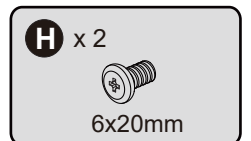
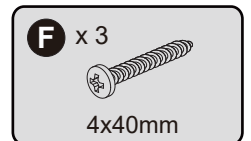
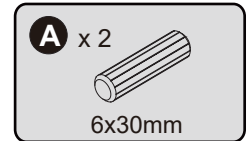
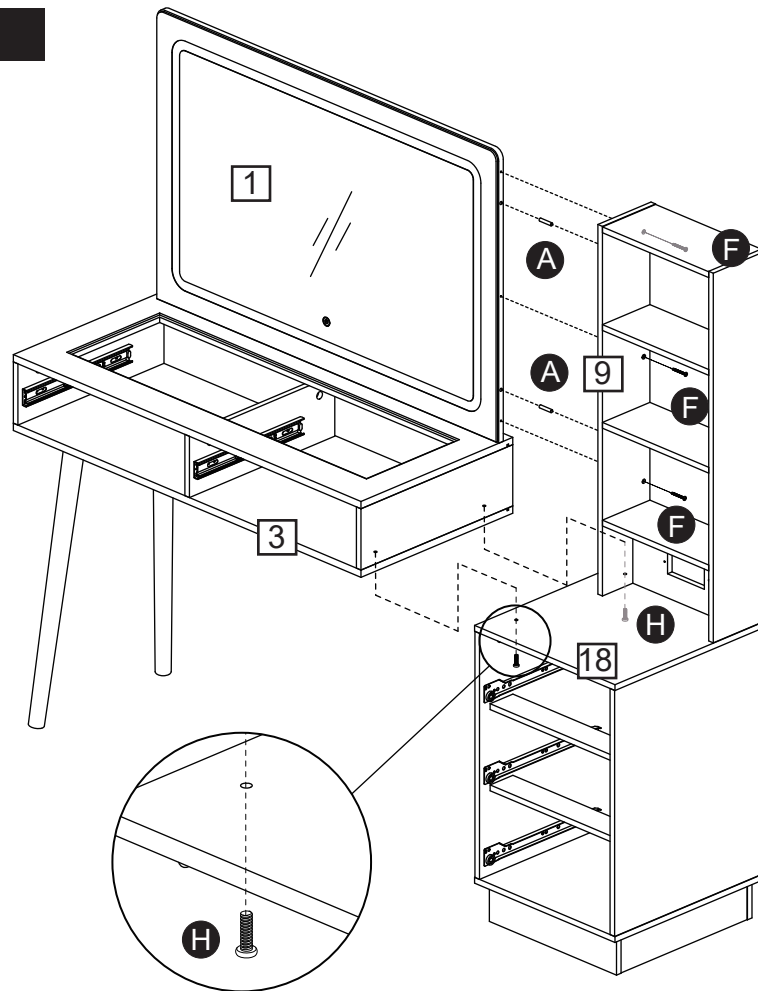
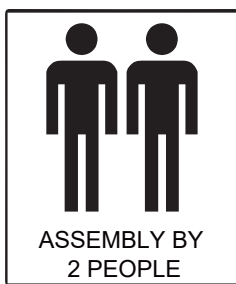
Assembly Instructions

Step 22



Attach panel (8) to panel (3).

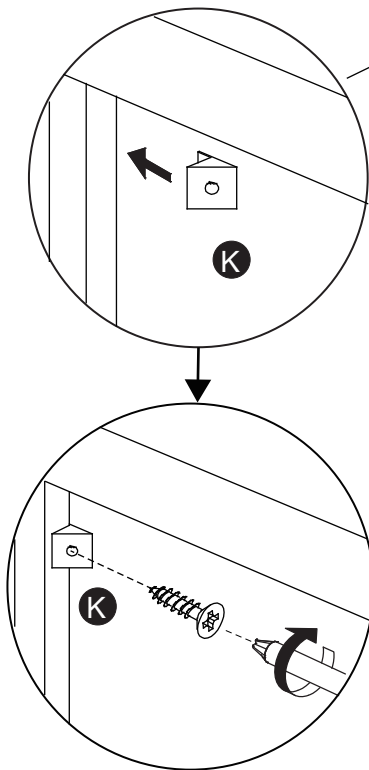
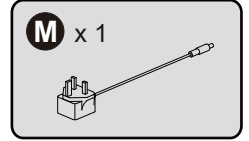
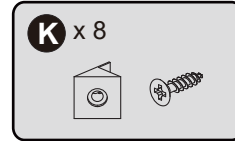
Step 23



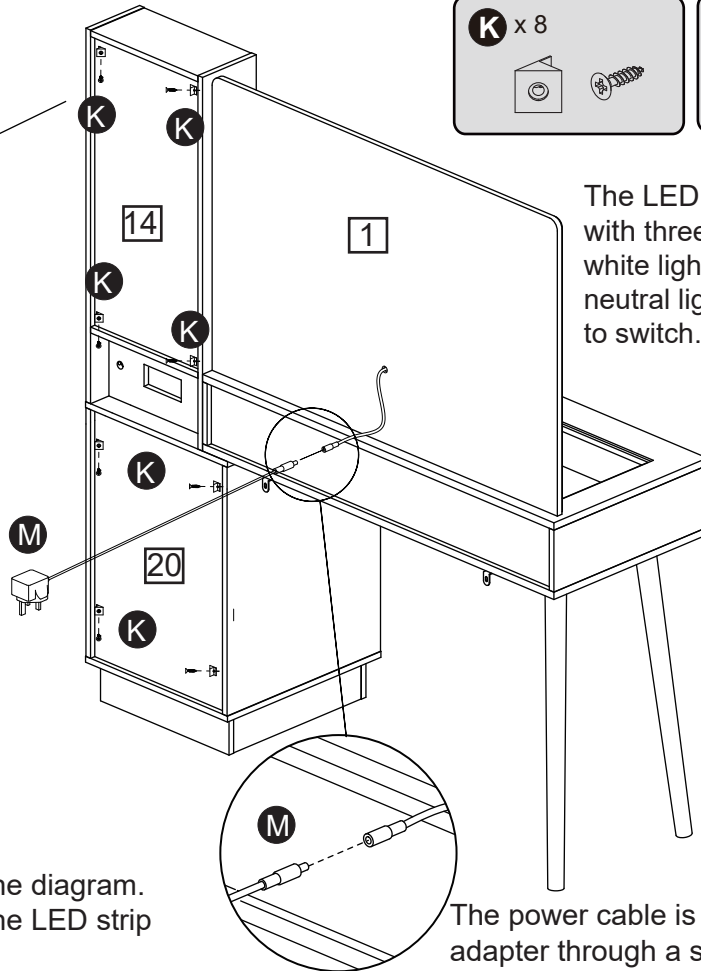
Insert wooden dowels (A) into panel (1), then use screw (F) to attach panel (1) to panel (9). Use bolt (H) to attach panel (3) to panel (18).

Assembly Instructions

Step 24



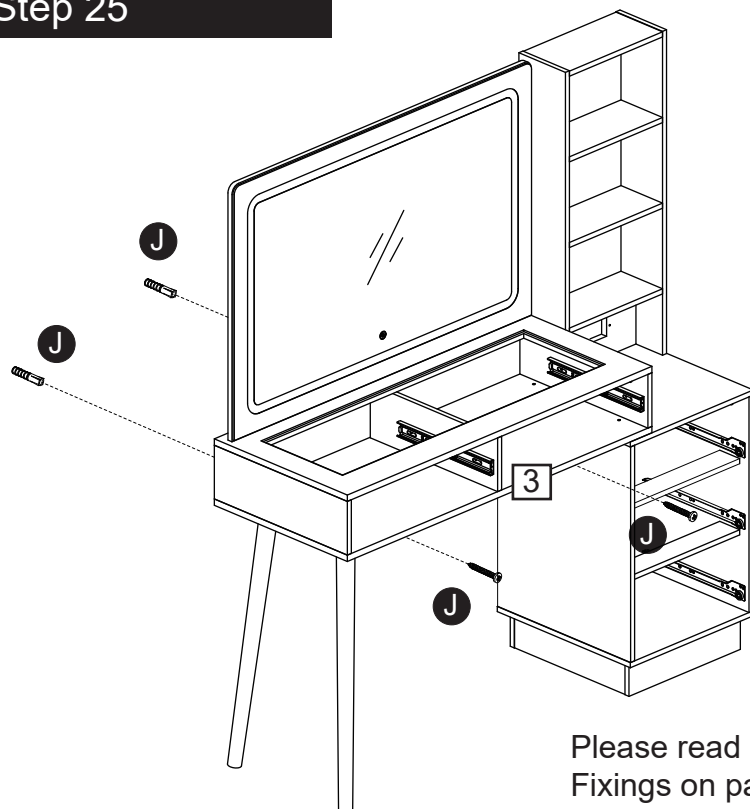
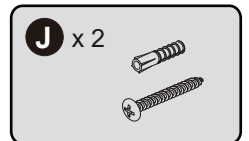
Fix part (K) in the position shown in the diagram. Insert the connector of part (M) into the LED strip connector on panel (1).



The LED mirror light comes with three colors of light: white light, warm light, and neutral light. Press button to switch.

The power cable is connected to the adapter through a small hole in the backboard.

Step 25



Use part (J) to secure the cabinet to the wall.

The unit is floor standing, but it is recommended that the unit is secured to the wall.

1. Move the unit into desired position.
2. Mark the wall with a suitable scribe the position of the fixing holes.



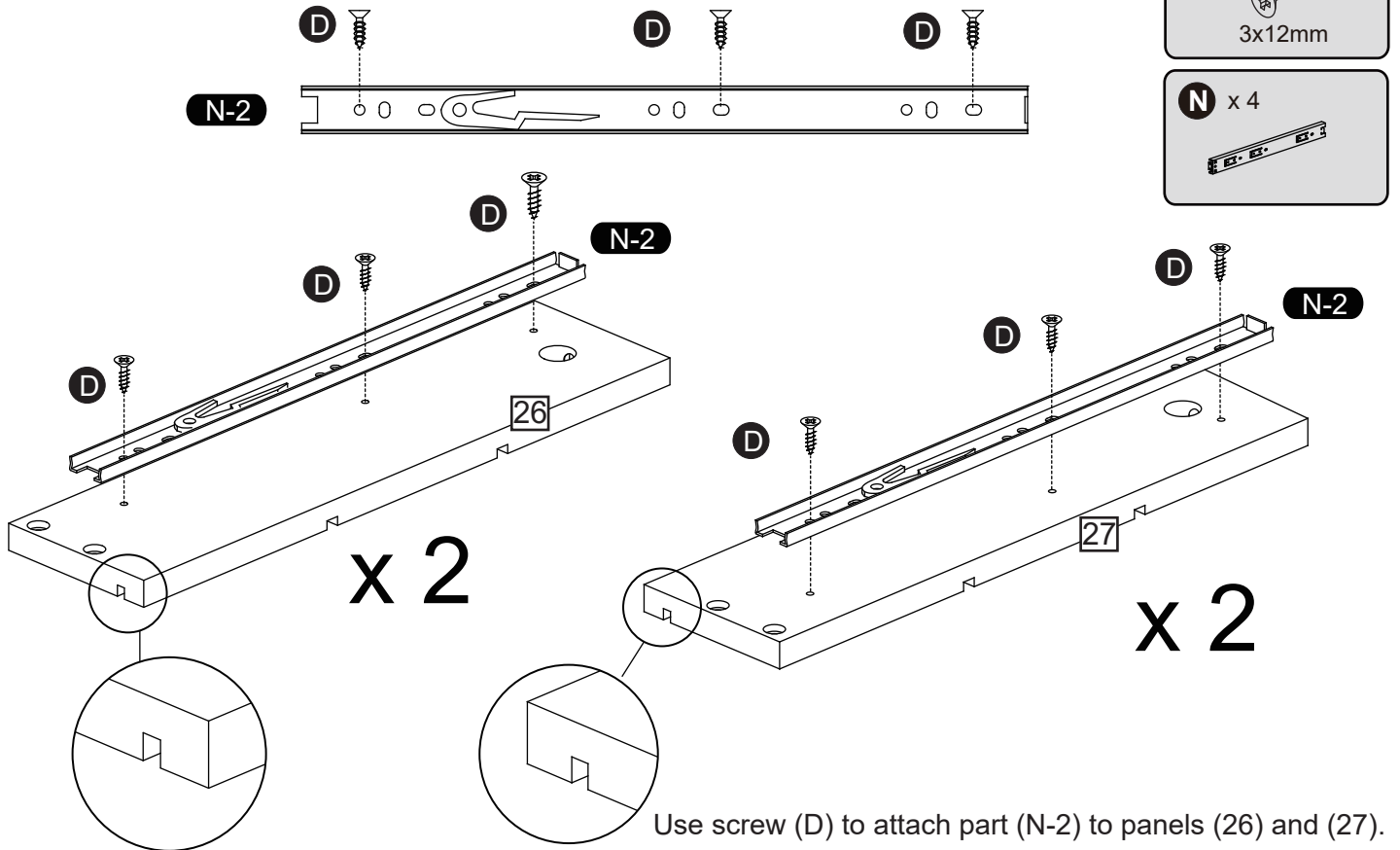
Warning:
Before drilling, check wall for hidden pipes and cables.

3. Drill holes and insert wall plug.
4. Attach Bracket(J) to the wall.

Please read the Guide to Wall Mounting & Fixings on page 5 before excuting this step.

Assembly Instructions

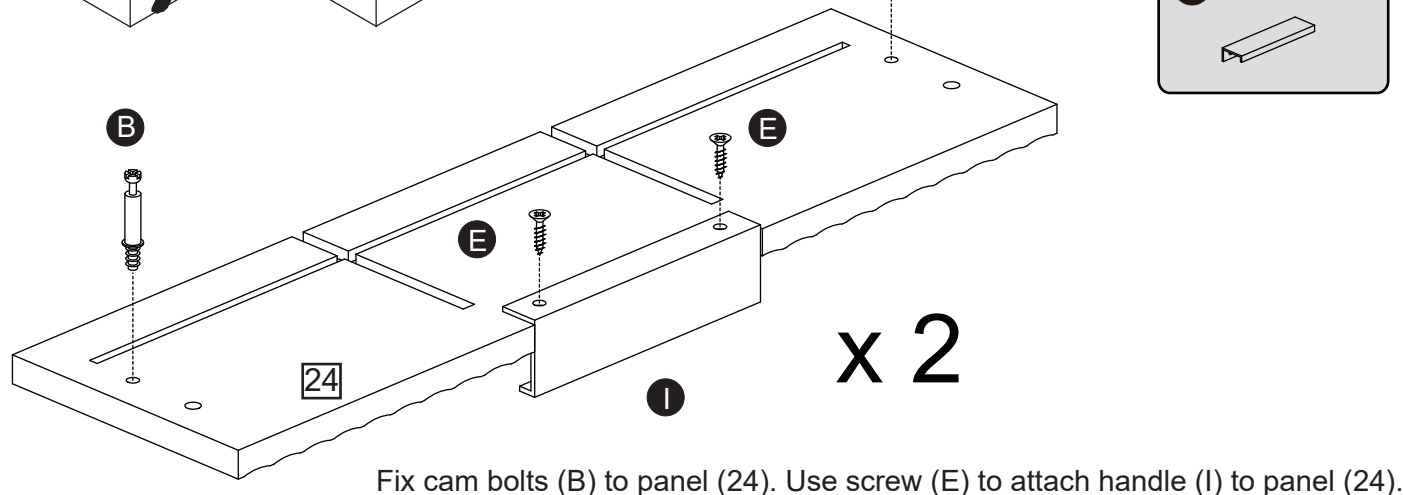
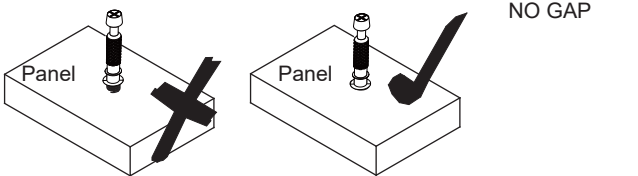
Step 26



Step 27

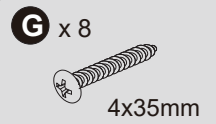
CAM-LOCK

Tighten until shoulder is flush with panel. Do not overtighten or undertighten (see example below)

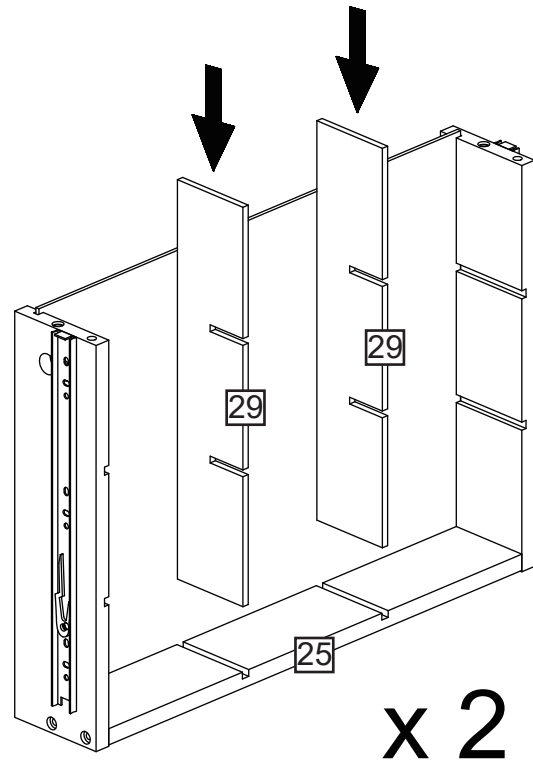
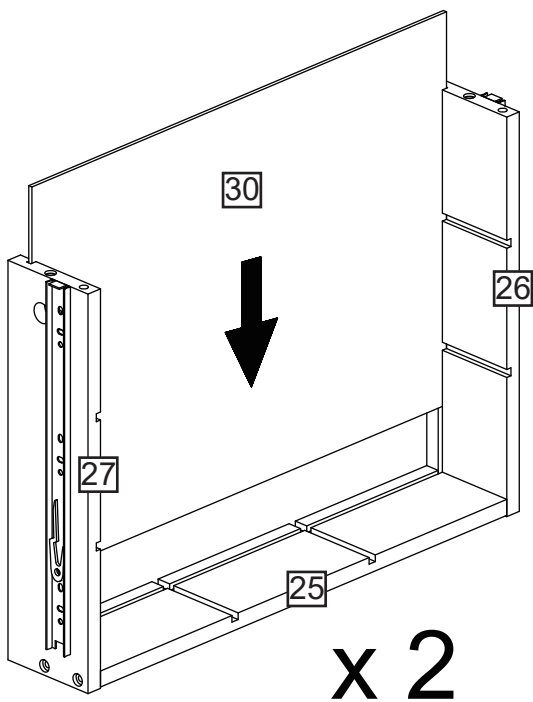
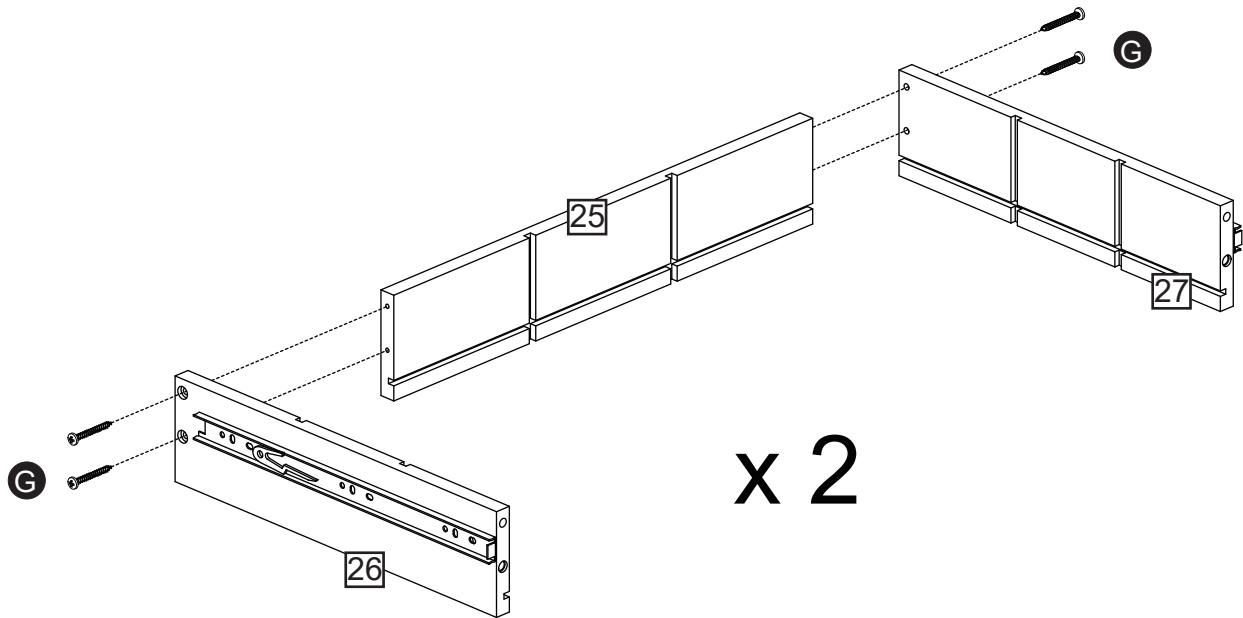


Assembly Instructions

Step 28



Use screw (G) to attach panels (26) and (27) to panel (25).



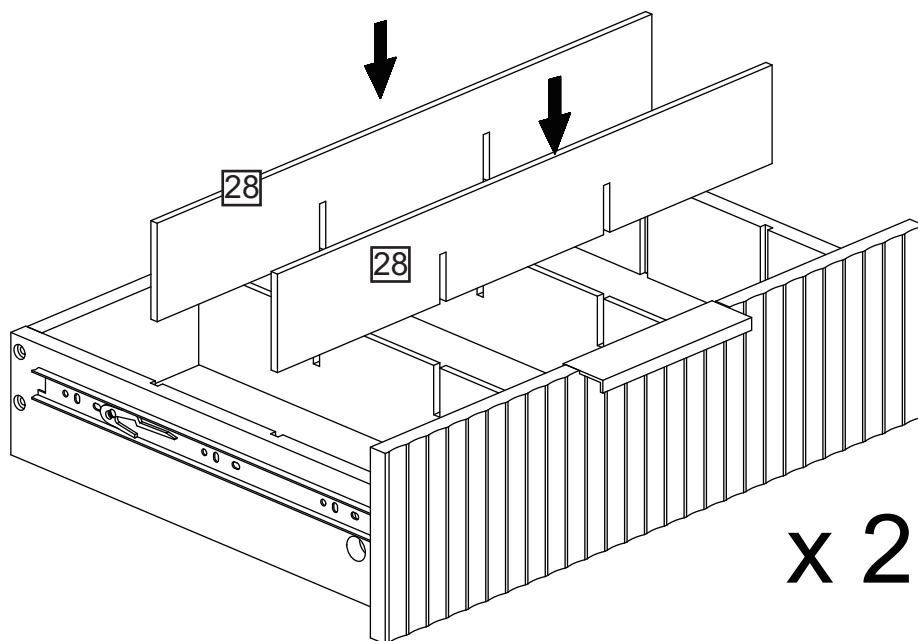
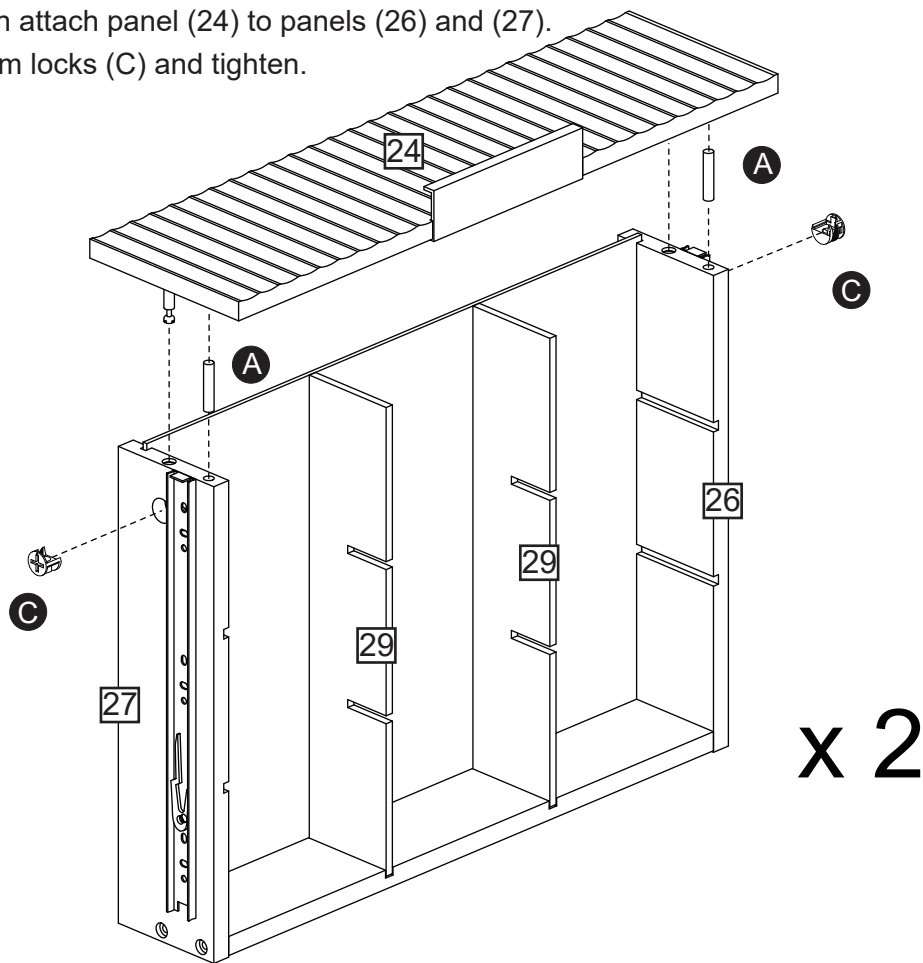
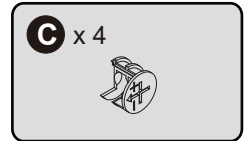
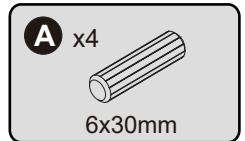
Insert panel (30) into the grooves of panels (26) and (27).

Insert panel (29) into the groove of panel (25).

Assembly Instructions

Step 29

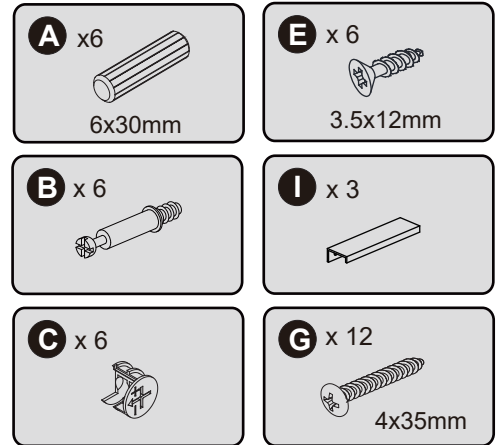
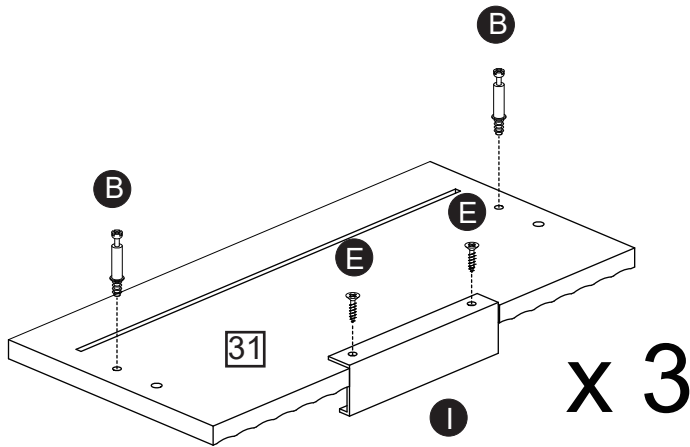
Insert wooden dowels (A) into panels (26) and (27), then attach panel (24) to panels (26) and (27). Insert cam locks (C) and tighten.



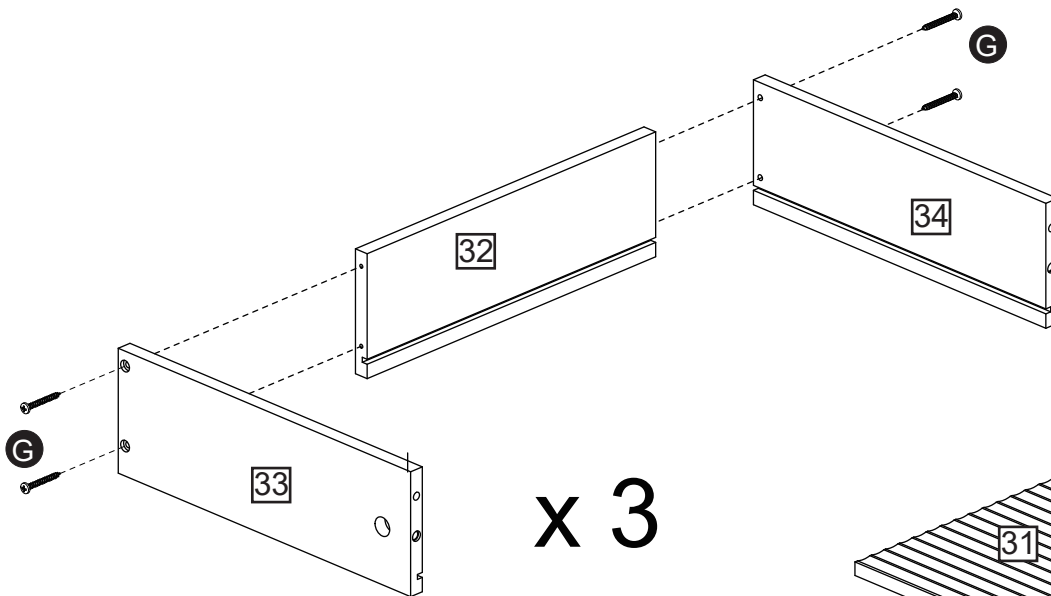
Insert panels (28) into panels (29).

Assembly Instructions

Step 30

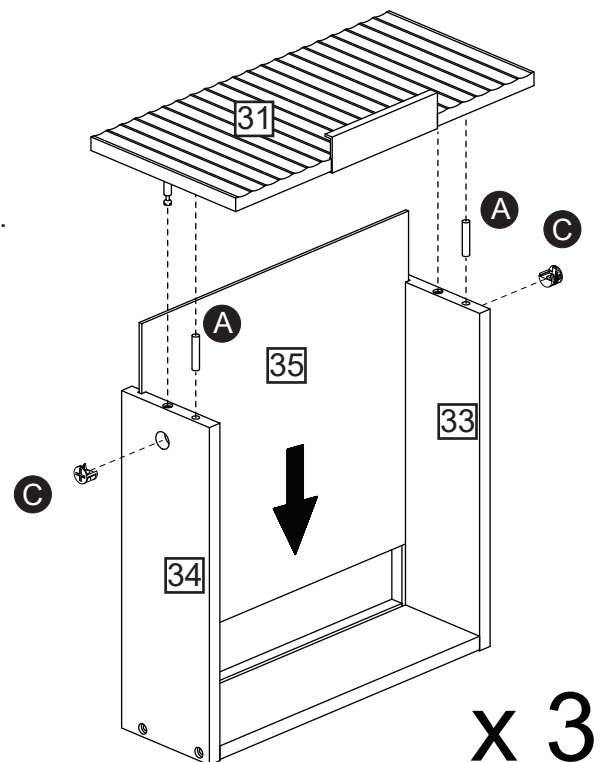


Fix cam bolts (B) to panel (31). Use screw (E) to attach handle (I) to panel (31).



Use screw (G) to attach panels (33) and (34) to panel (32).

Insert panel (35) into the grooves of panels (33) and (34). Insert wooden dowels (A) into panels (33) and (34), then attach panel (31) to panels (33) and (34). Insert cam locks (C) and tighten.



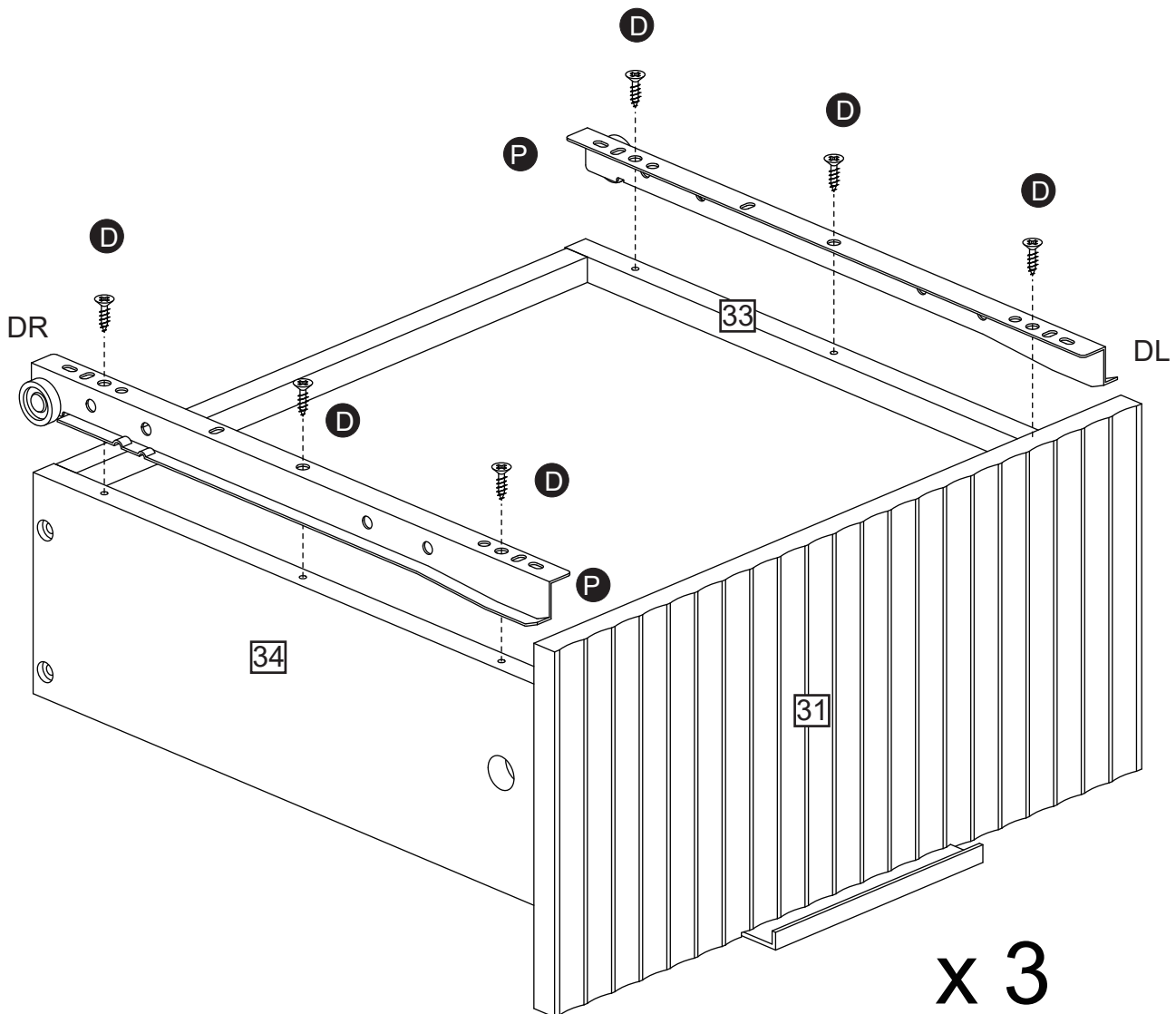
Assembly Instructions

Step 31

D x18
3x12mm

P x 3
DL DR

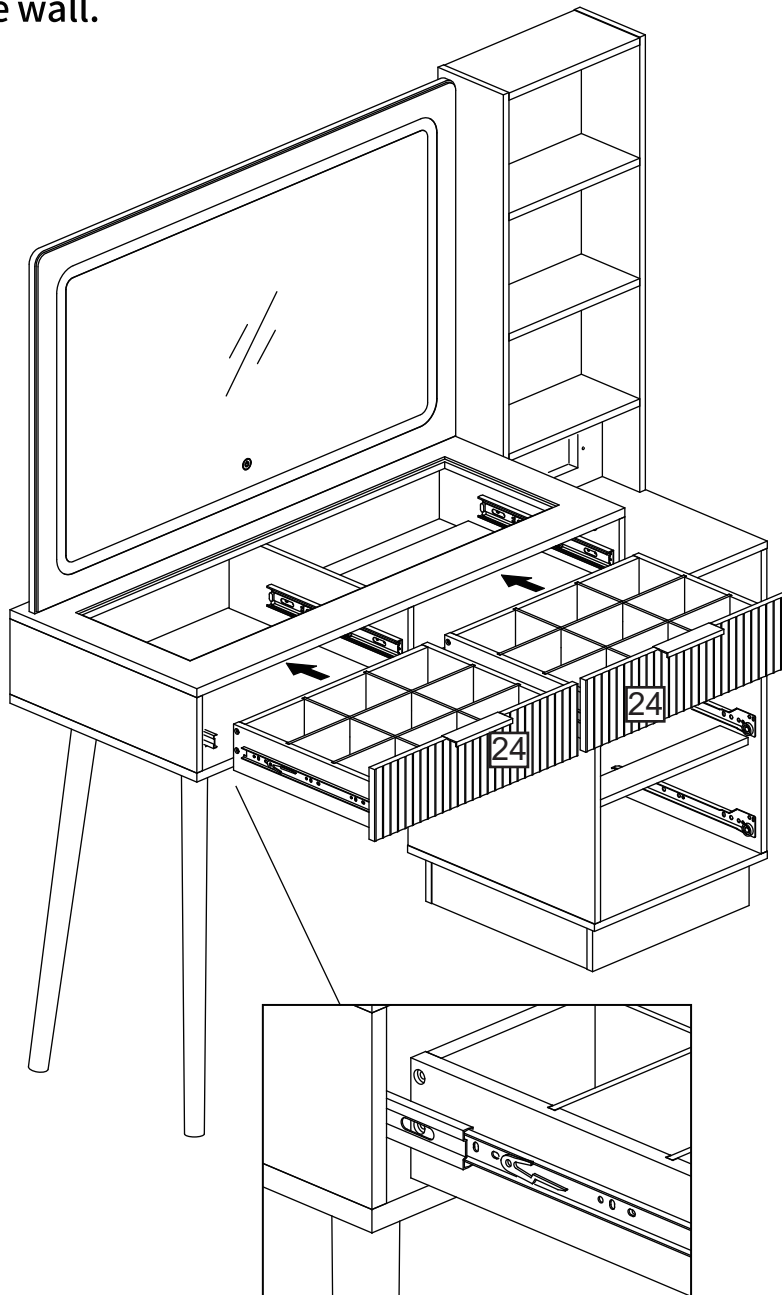
Use screw (D) to attach runners (DL) and (DR) to panels (33) and (34) respectively.



Assembly Instructions

Step 32

⚠ It is highly recommended that the unit is secured to the wall. You can skip to the next step first, then come back to this step once the dresser is secured to the wall.



Insert the drawers into the cabinet.

Attention:

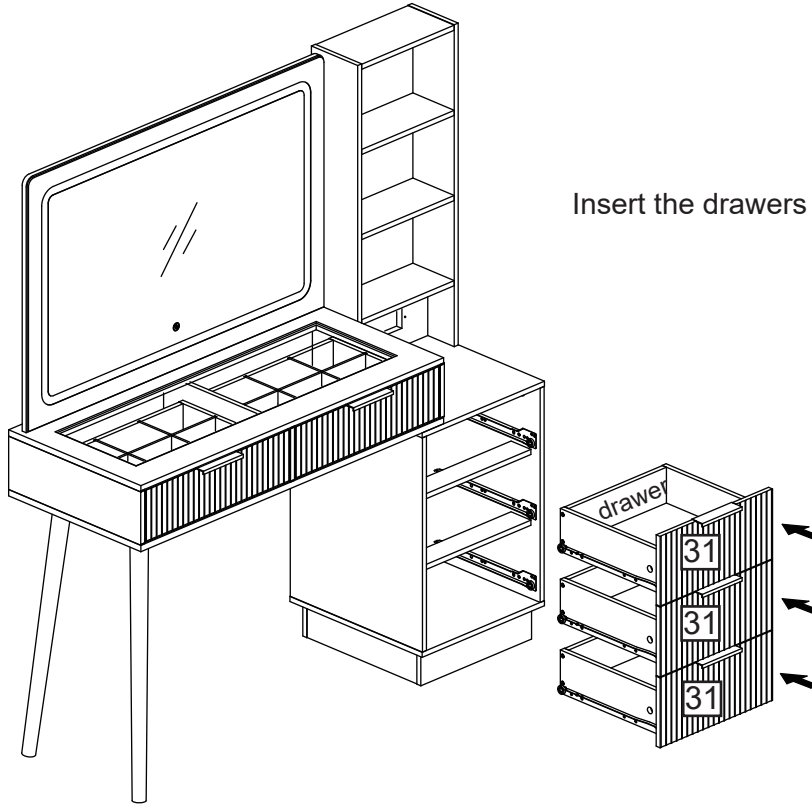
1. Pull out the rail installed on the cabinet.
2. Align the slide runners on the drawer with the unit and push it carefully inside until it stops.

★ If the drawer does not go in smoothly please take it out and repeat the steps.

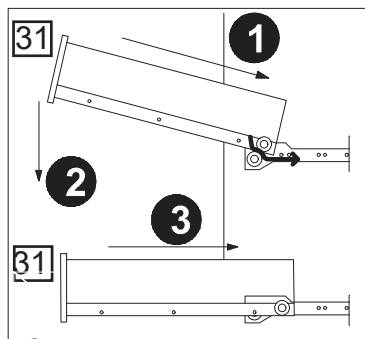
Assembly Instructions

Step 33

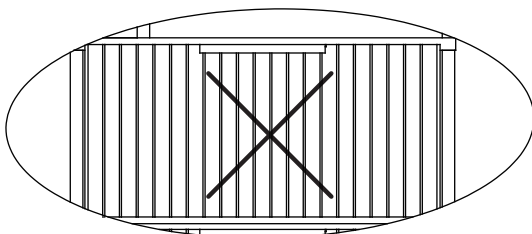
Congratulation! You've made to the last step! But don't be too thrilled yet, put on the drawer can be frustrating if you do it wrong. So, take your time and follow the steps below.



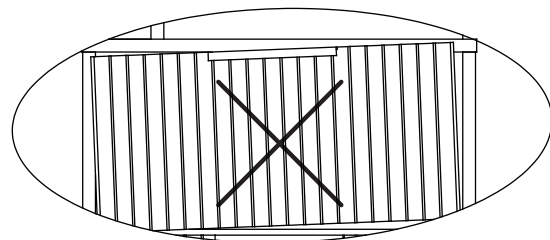
1. Please ensure that you have matched the wheels on BOTH sides of the drawer with the wheels on rails installed BEFORE push in the drawer.



2. If the following occurs, redo the first **two** step.



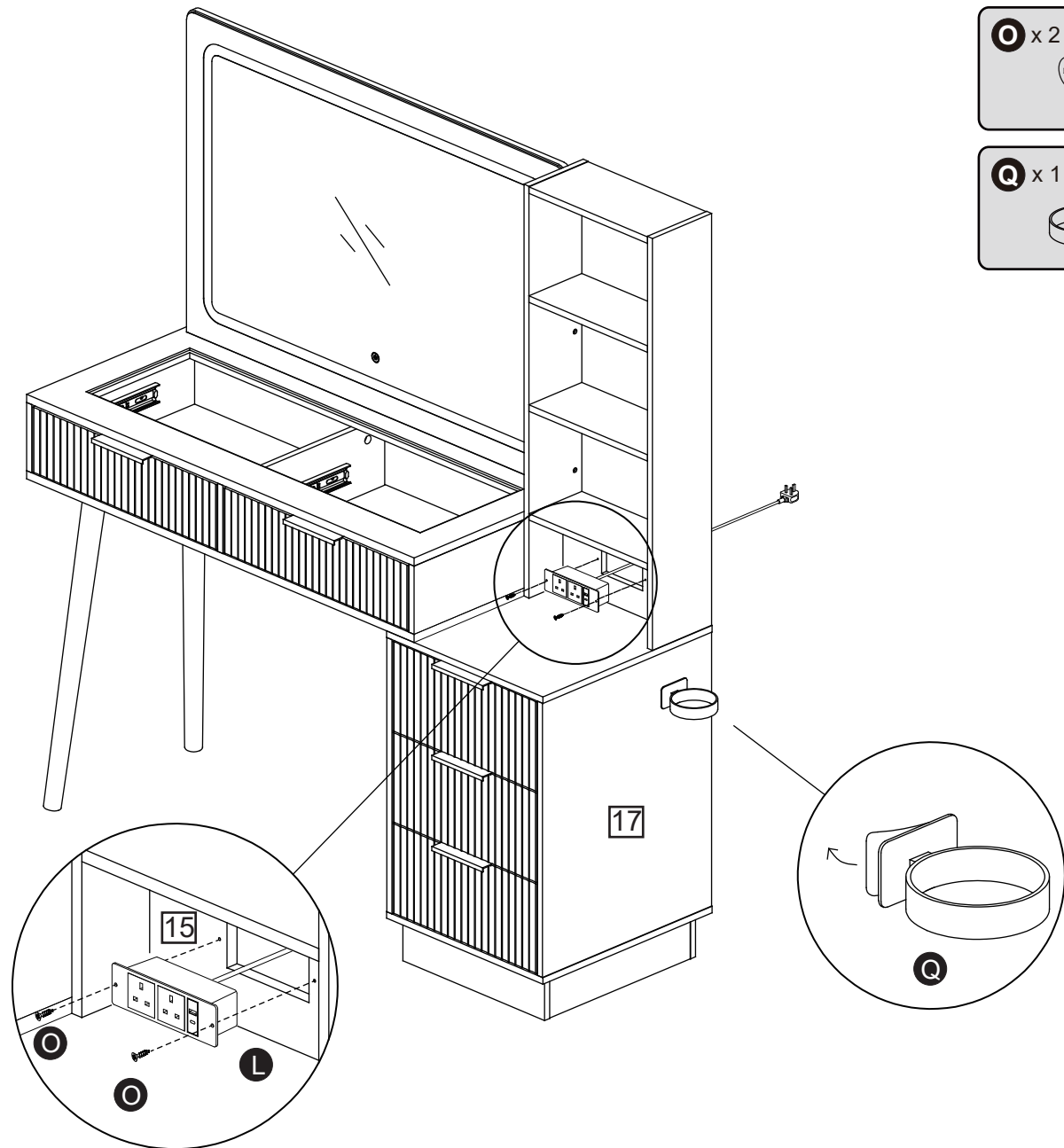
(both wheel are off the rails)



(one wheel is off the rail)

Assembly Instructions

Step 34



Use screw (O) to attach part (L) to panel (15). Attach part (Q) to panel (17).



MAINTENANCE AND CARE

1. Prevent Pests

Keep wooden furniture away from damp environments to prevent pest infestations and wood deterioration. Use a dehumidifier or air conditioner during humid seasons to maintain a dry atmosphere.

2. Protect from Sunlight

Avoid placing furniture in direct sunlight to prevent cracking, discoloration, and fading. If sunlight exposure is unavoidable, use curtains or blinds to shield the furniture.

3. Keep Away from Heat Sources

Position furniture away from heaters, radiators, or open flames to avoid damage and maintain its structural integrity.

4. Routine Care

Apply furniture oil periodically to enhance the wood's shine, prevent cracking, and prolong its lifespan.

5. Regular Cleaning

Vacuum dust and debris frequently, especially beneath and around furniture, to ensure a clean and hygienic environment.

6. Maintain Dryness

Ensure adequate ventilation to prevent moisture buildup. Use a dehumidifier if necessary to protect the furniture from dampness.

7. Avoid Contact with Corrosive Substances

Keep the furniture away from acidic or alkaline substances to protect its finish and durability.

8. Gentle Cleaning

Wipe surfaces with a damp, well-wrung cloth to clean without causing water damage or swelling.

9. Minimize Sun Exposure

Prolonged exposure to sunlight can dry out and damage wood. Place furniture in shaded areas or use curtains to block harmful UV rays.