

NOTICE

- * Please make sure that you have all parts indicated before you begin assembly of this item
- * This item should be assembled on a soft surface to prevent scratching the finish during assembly
- * This item may require periodic tightening
- * If you are having difficulty, our friendly Customer Care team is always here to help.

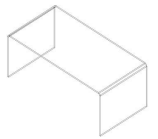
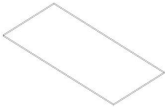



PREPARATION

- *Before beginning assembly of product, make sure all parts are present. Compare parts with package contents list and hardware contents list.
- *If any part is missing or damaged, do not attempt to assemble the product.
- *Estimated Assembly Time: 5 minutes.
- *Tools Required for Assembly (included): no

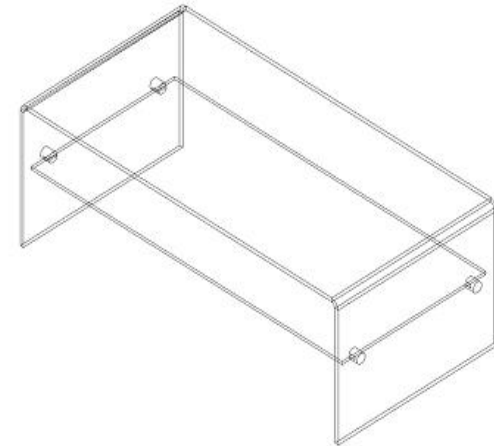
CARE AND MAINTENANCE

Dust with a soft, dry cloth. Do not use abrasive cleaner. To clean mirror, spray a small amount of glass cleaner onto a lint-free cloth and wipe mirror clean.

Part List and Hardware List

PIECE	DESCRIPTION	PICTURE	QUANTITY
A	Coffee Table		1X
B	Shelf		1X
HW1	Foot (40*40*18mm)		4X
HW2	FOOT MAT(30*10*2mm)		4X
HW3	SCREW(M8*8mm)		4X

Product Dimensions: 47.2"Wx23.6"Dx16.5" H



Weight Capacity:100lbs
Warning:Do not stand on table

PREPARATION

*Before beginning assembly of product, make sure all parts are present. Compare parts with package contents list and hardware contents list.

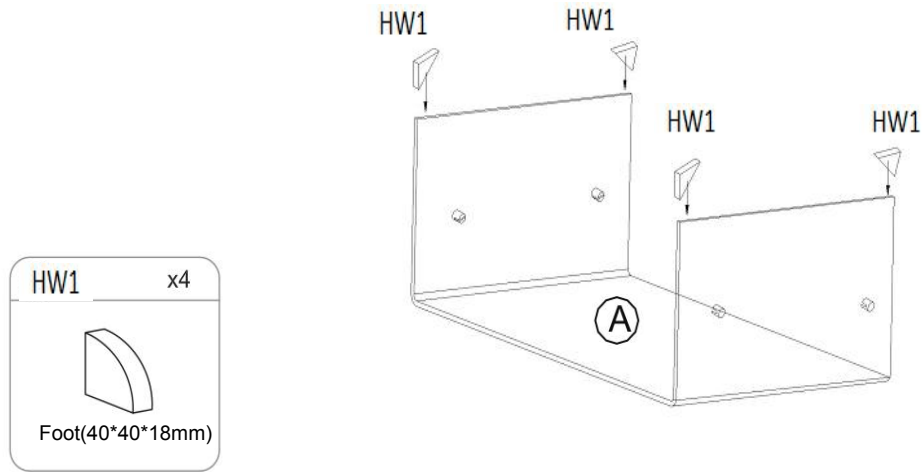
*If any part is missing or damaged, do not attempt to assemble the product.

*Estimated Assembly Time: 5 minutes.

*Tools Required for Assembly (included): no

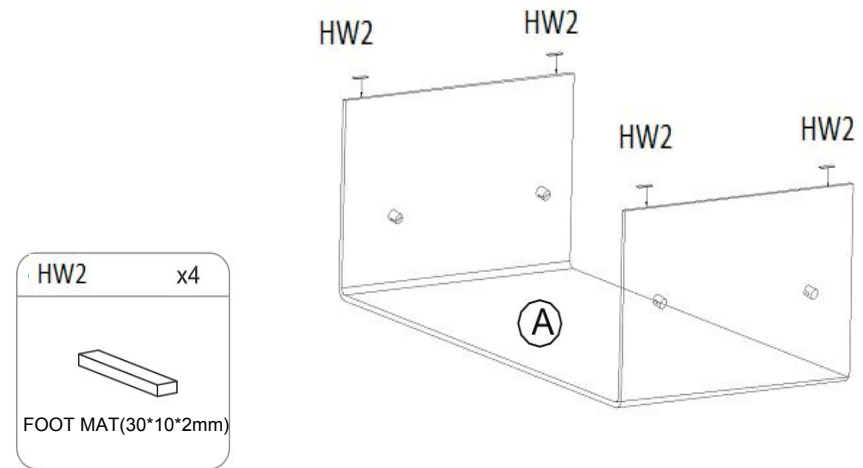
* If you are having difficulty, our friendly Customer Care team is always here to help.

A option 1



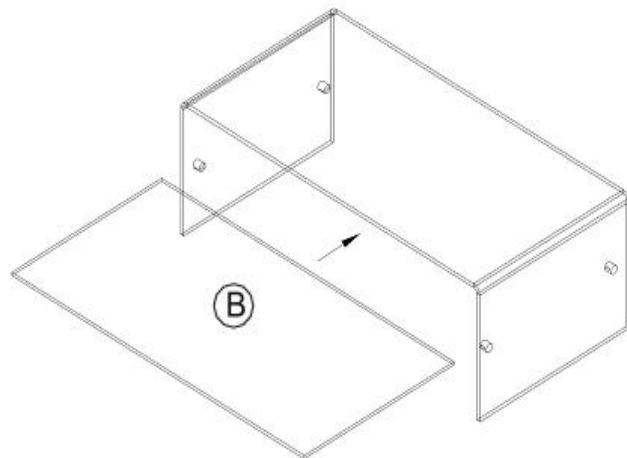
STEP 1 option 1: Put the foot on the glass

B option 2



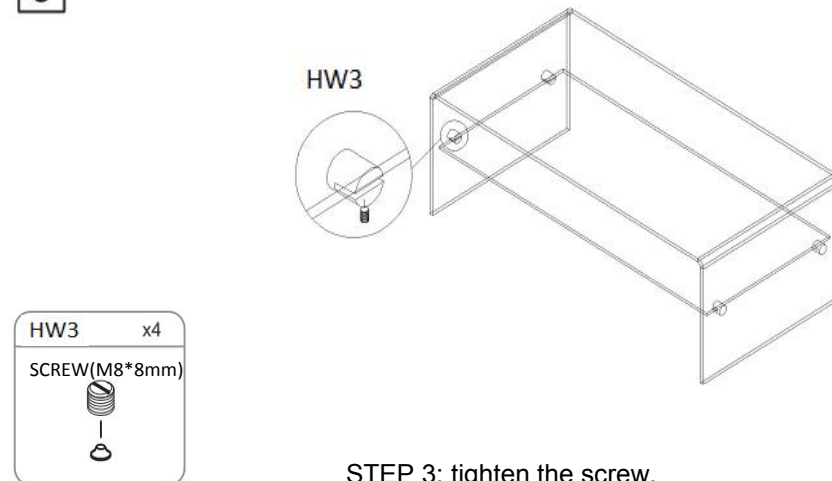
STEP1 option 2 : Put the foot mat on the glass

2



STEP 2: Put the glass shelf into the glass

3



STEP 3: tighten the screw.