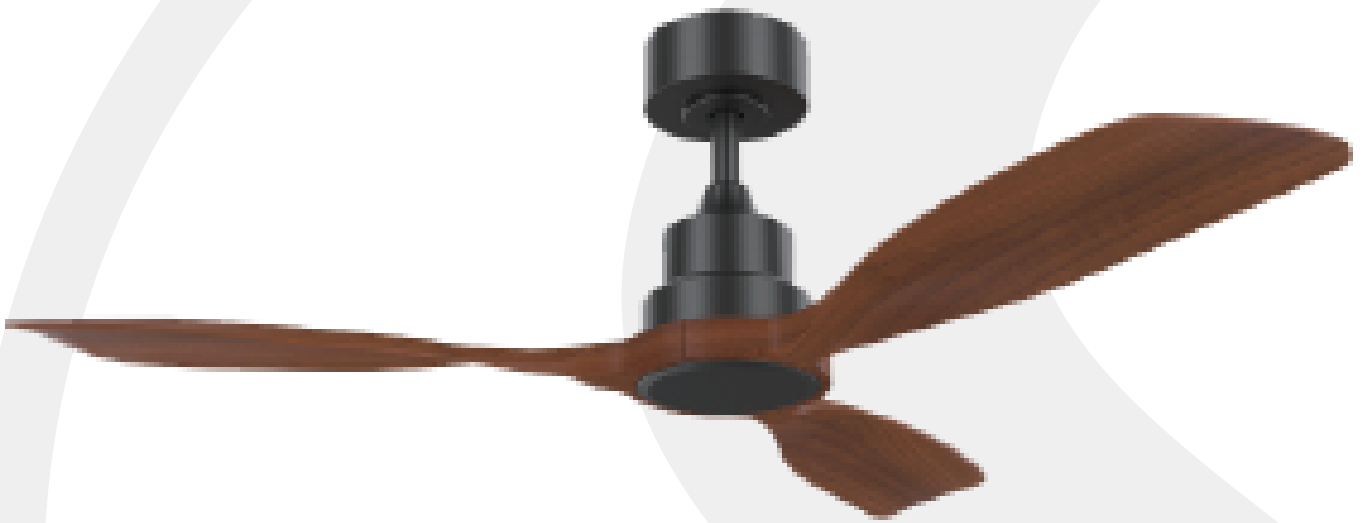


# USE AND CARE GUIDE



## Installation Guide



# 01 Table of Contents

Safety Information	02	Remote control manual	12
WARNING	03	Match code	13
Three ceiling installation methods	04	Fans Balance	14
Accessory drawing	05	Care and cleaning	15
Installation procedure	06	Trouble shooting	15

# 02 Safety Information

**READ ALL SAFETY INFORMATION AND INSTALLATION INSTRUCTIONS BEFORE YOU BEGIN INSTALLING THE FAN AND SANE INSTRUCTIONS.**



**Warning:**  
**Kindly turn off the power when connecting cables.**

1. To reduce the risk of electric shock, ensure the electricity has been turned off at the circuit breaker or fuse box before you begin.
2. All wiring must be in accordance with the National Electrical Code ANSI/NFPA 70-1999 and local electrical codes. Electrical installation should be performed by a qualified licensed electrician.
3. The outlet box and support structure must be securely mounted and capable of reliably supporting 35 lbs. (15.9 kg) Use only UL Listed outlet boxes marked "Acceptable for Fan Support of 35 lbs. (15.9 kg) or less".
4. The fan must be mounted with a minimum of 7 ft. (2.1 m) clearance from the trailing edge of the blades to the floor.
5. Do not place objects in the path of the blades.
6. To avoid personal injury or damage to the fan and other items, use caution when working around or cleaning the fan
7. Electrical diagrams are for reference only. Light kits that are not packed with the fan must be UL-listed and marked suitable for use with the model fan you are installing. Switches must be UL General Use Switches. Refer to the instructions packaged with the light kits and switches for proper assembly.
8. After making electrical connections, spliced conductors should be turned upward and pushed carefully up into the outlet box. The wires should be spread apart with the grounded conductor and the equipment-grounding conductor on one side of the outlet box.
9. All setscrews must be checked and re-tightened where necessary before installation.



**WARNING:** To reduce the risk of personal injury, do not bend the blade brackets (also referred to as flanges) during assembly or after installation. Do not insert objects in the path of the blades.



**WARNING:** To reduce the risk of fire or electric shock, this fan is NOT suitable for use with solid-state speed controls.



**WARNING:** To avoid possible electrical shock, make sure that the electricity is turned off at the main power box before starting work. If you feel you do not have enough electrical wiring knowledge or experience, contact a licensed electrician.



**WARNING:** Electrical diagrams are for reference only. Optional use of any light kit shall be UL-listed and marked suitable for use with this fan



**WARNING:** To reduce the risk of fire, electrical shock or personal injury, ensure that the fan mounting bracket is supported directly from the building structure or the outlet box marked "Acceptable for Fan Support of 35 lbs. (15.9 kg) or less". Use only the screws provided with the outlet box.



**WARNING:** Do not test the fan before affixing the blades. The DC motor needs a load to rotate properly. Affixing blades and then testing the fans.

## 03 Warranty

---

The supplier warrants the fan motor to be free from defects in workmanship and material present at time of shipment from the factory for a lifetime after the date of purchase by the original purchaser. The supplier also warrants that all other fan parts, excluding any glass or acrylic blades, to be free from defects in workmanship and material at the time.

of shipment from the factory for a period of two years after the date of purchase by the original purchaser. We agree to correct such defects without charge or at our option replace with a comparable or superior model if the product is returned.

To obtain warranty service, you must present a copy of the receipt as proof of purchase. All costs of removing and re-installing the product are your responsibility. Damage to any part such as by accident, misuse, improper installation, or by affixing any accessories, is not covered by this warranty.

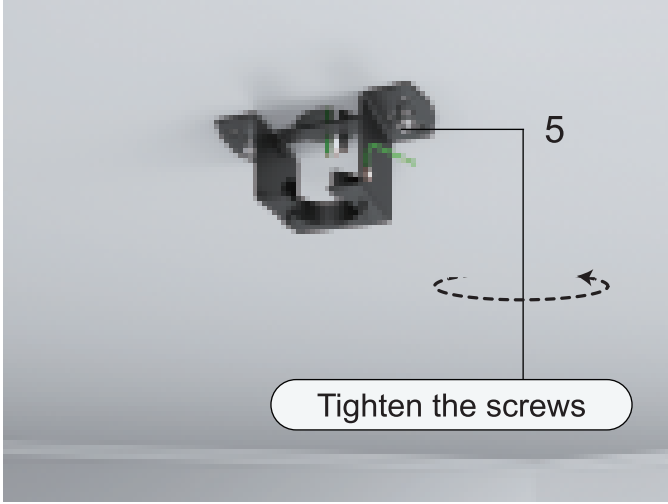
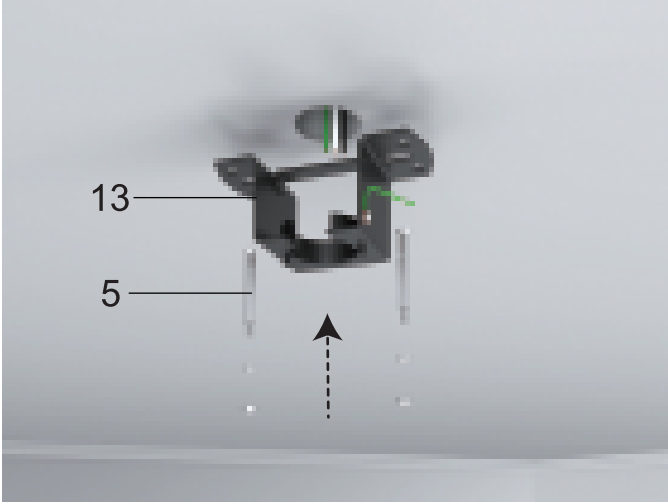
Because of varying climatic conditions this warranty does not cover any changes in brass finish, including rusting, pitting, corroding, tarnishing, or peeling. Brass finishes of this type give their longest useful life when protected from varying weather conditions. A certain amount of "wobble" is normal and should not be considered a defect.

Servicing performed by unauthorized persons shall render the warranty invalid. There is no other express warranty. We hereby disclaims any and all warranties, including but not limited to those of merchant ability and fitness for a particular purpose to the extent permitted by law. The duration of any implied warranty which cannot be disclaimed is limited to the time period as specified in the express warranty. Some states do not allow a limitation on how long an implied warranty lasts, so the above limitation may not apply to you.

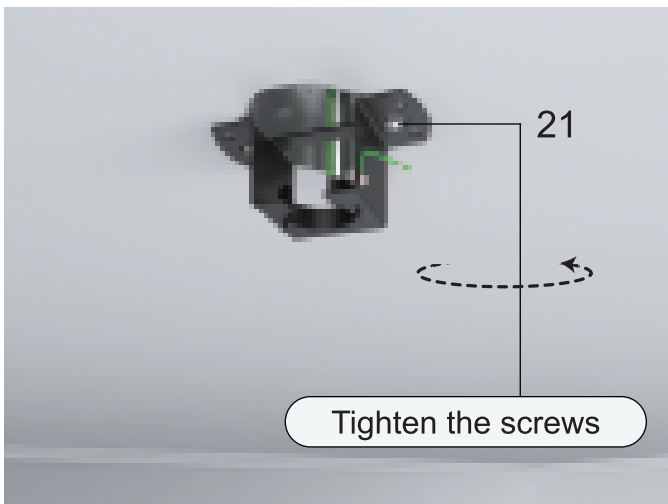
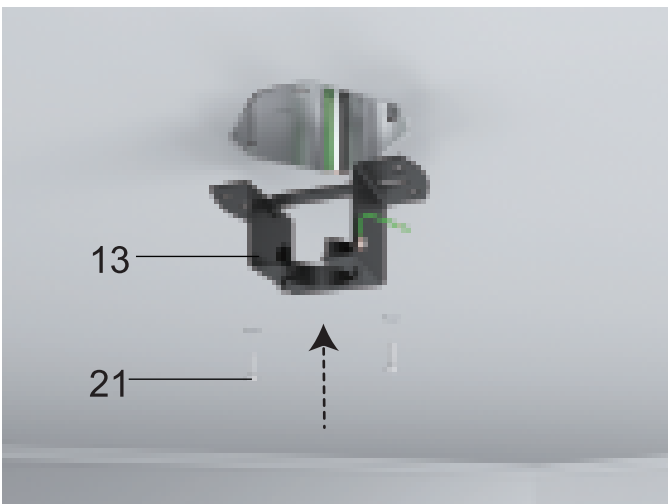
The retailer shall not be liable for incidental, consequential, or special damages arising out of or in connection with product use or performance except as may otherwise be accorded by law. Some states do not allow the exclusion of incidental or consequential damages, so the above exclusion or limitation may not apply to you. This warranty gives specific legal rights, and you may also have other rights which vary from state to state. This warranty supersedes all prior warranties. Shipping costs for any return of product as part of a claim on the warranty must be paid by the customer.

# 04) Two ceiling installation methods

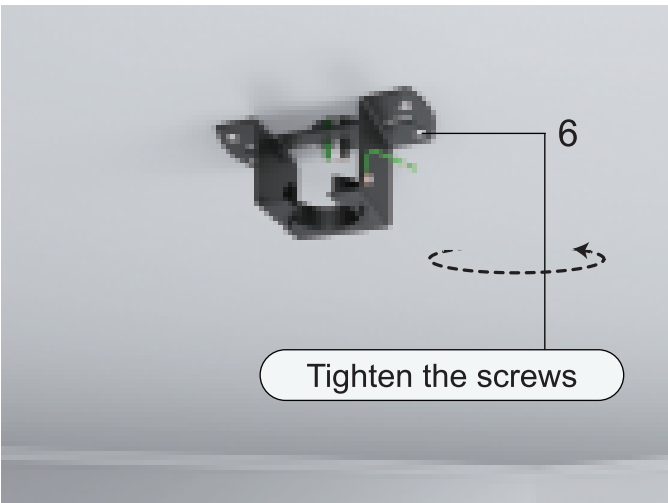
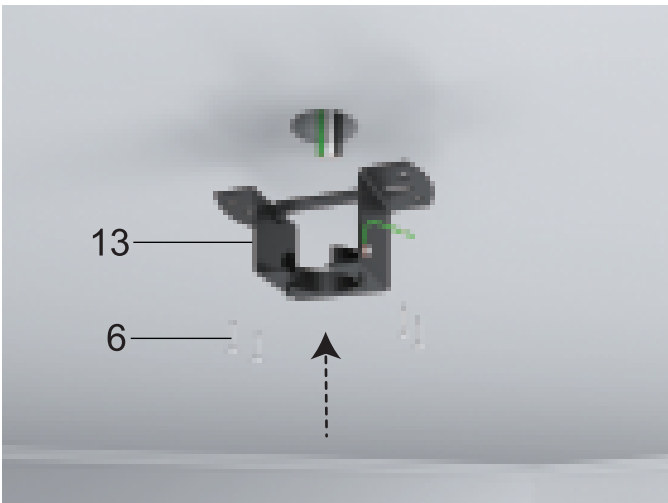
## Concrete Ceiling Mounting Bracket



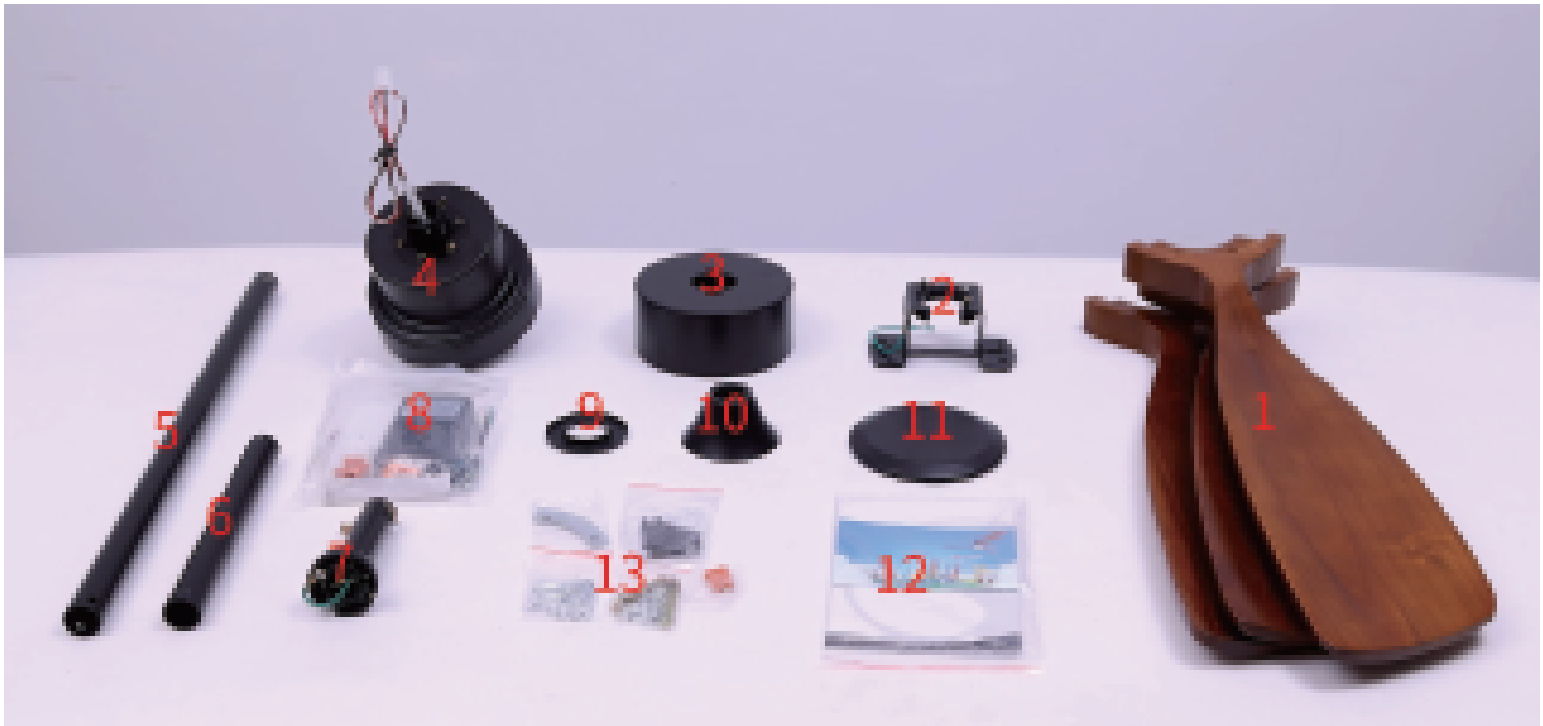
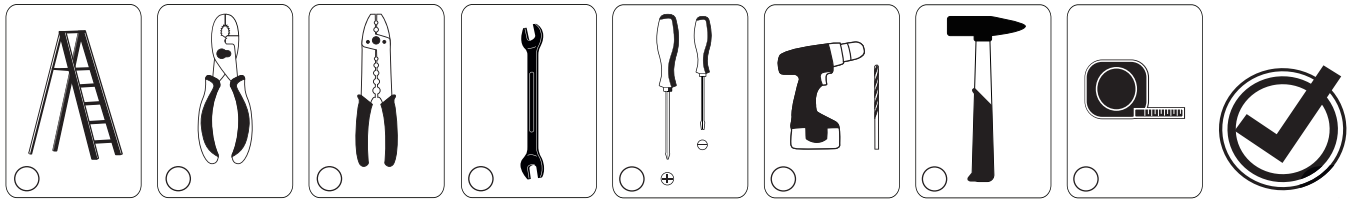
## Hanger for Junction Box Mounting Bracket



## Wooden ceiling Mounting Bracket



# 05) Accessory drawing



## 06) Installing of downrod

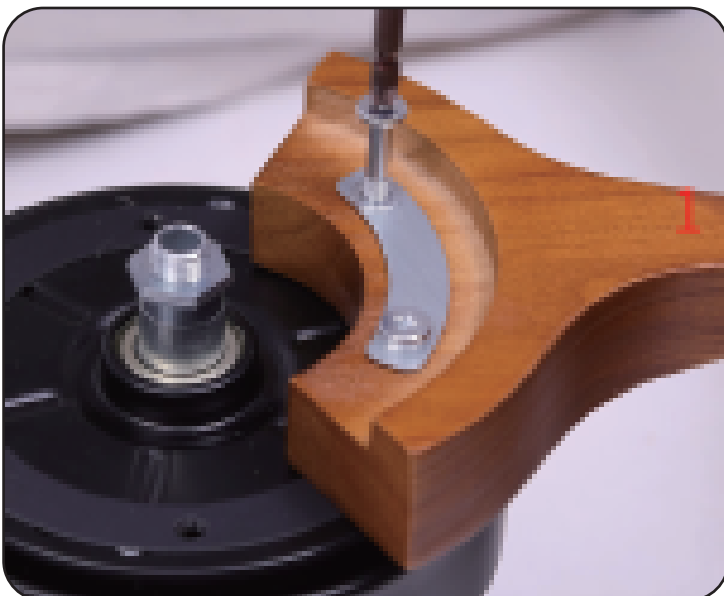
1. Put the screw washers on the screws, you will need them later



2. Place the blade pads on the blades and align them with the motor holes



3. Install the blades using the six blade screws and tighten the blade screws

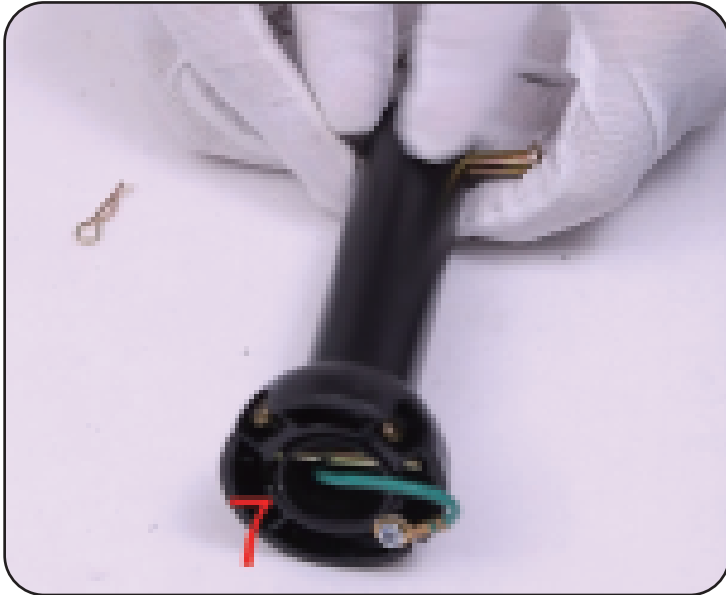


4. Install the bottom cover and rotate to lock

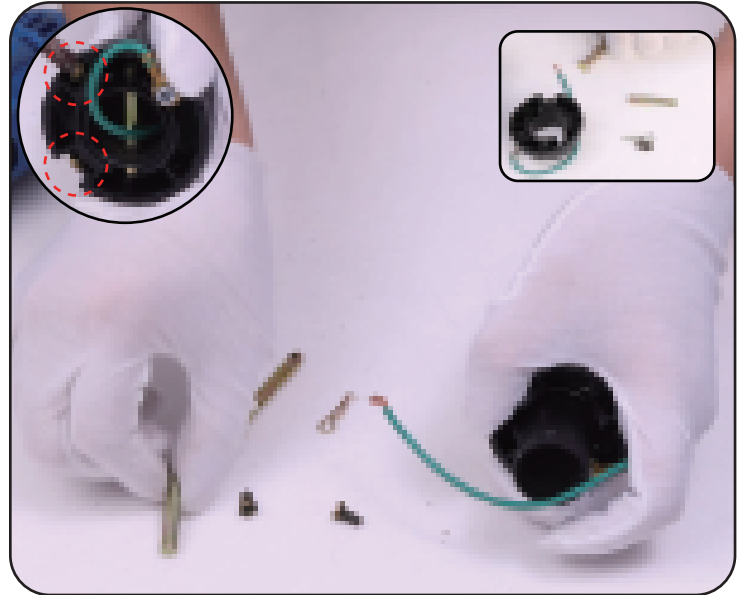


## 06) Installing of downrod

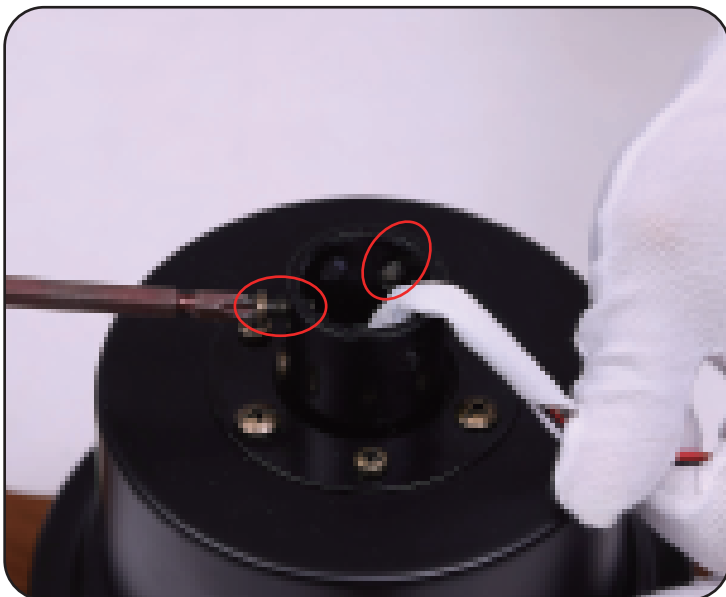
5. Remove the lock pin and the bolt of the base of the downrod



6. Remove two screws on the hanger ball. Remove the hanger ball and bolt



7. Insert the bolt, and then fix the bolt with the lock pin

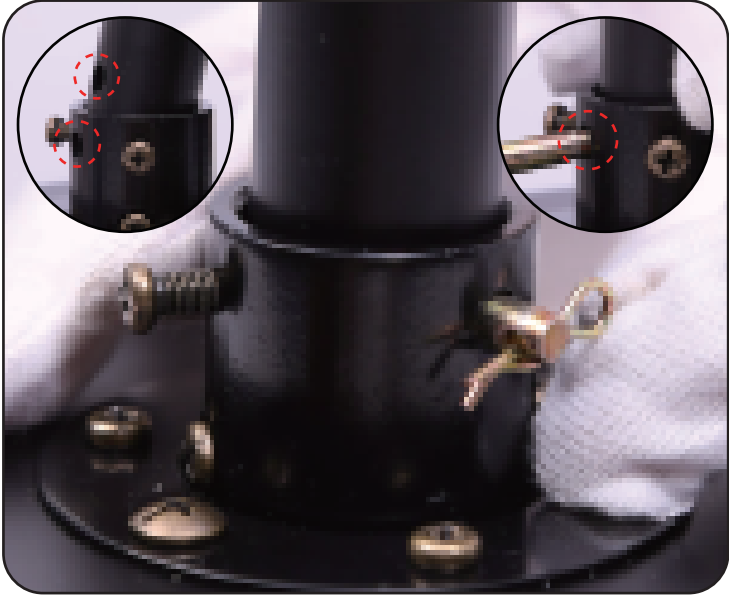


8. Select one downrod and pass all motor wires through the downrod

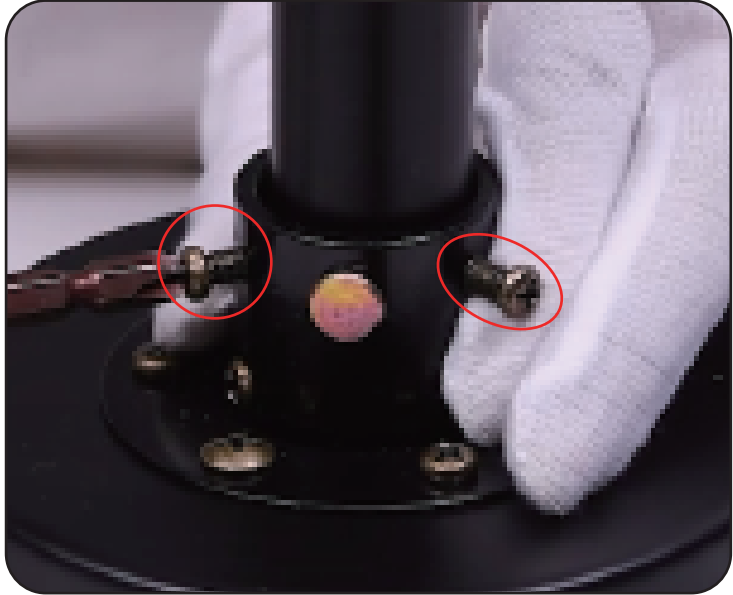


## 06) Installing of downrod

9. Insert the bolt, and then fix the bolt with the lock pin



10. Tighten the 2 screws to prevent fan shaking during operation



11. Put the decorative cover through the downrod

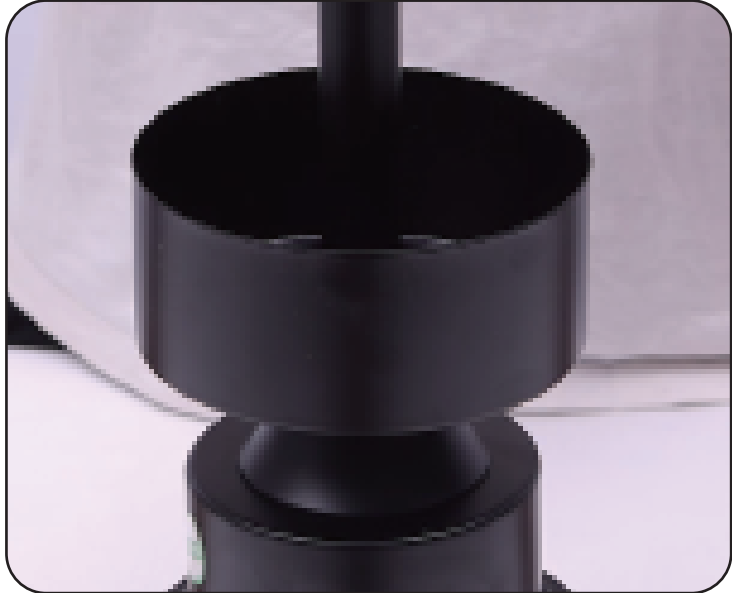


12. Put the canopy cover through the downrod



## 06) Installing of downrod

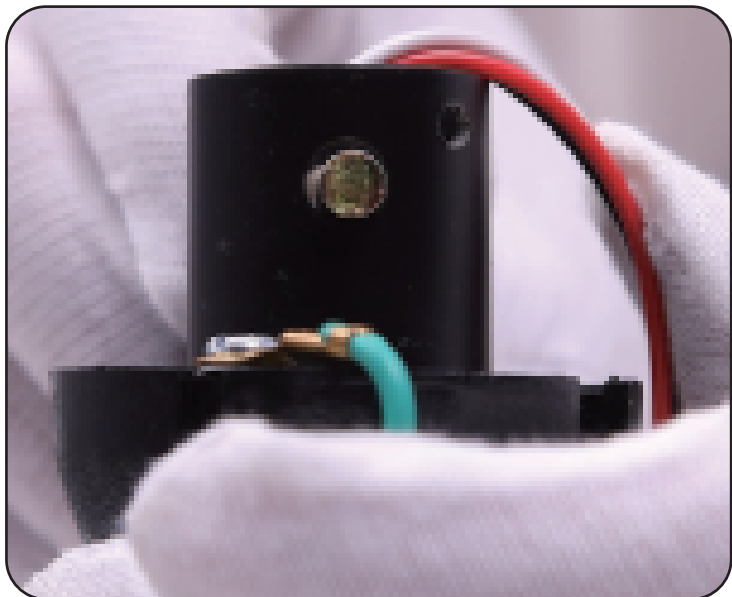
13. Put the canopy cover through the downrod



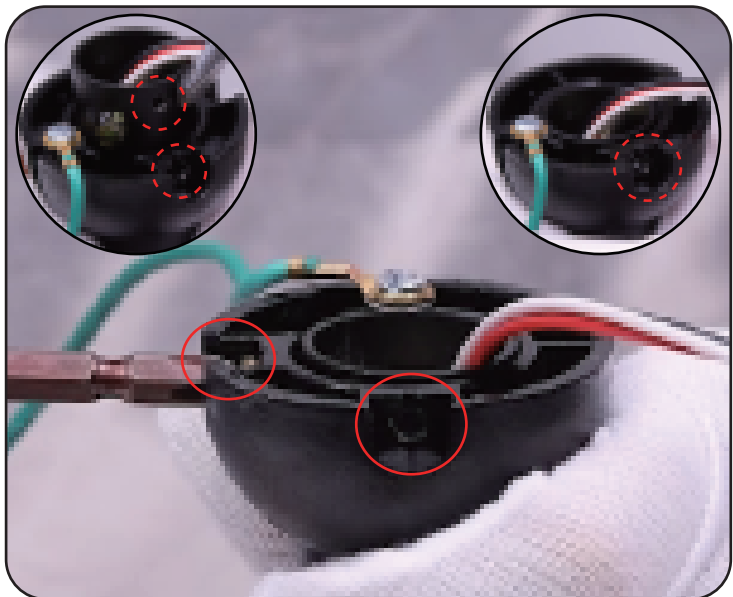
14. Put the hanger ball through the downrod



15. Insert the bolt



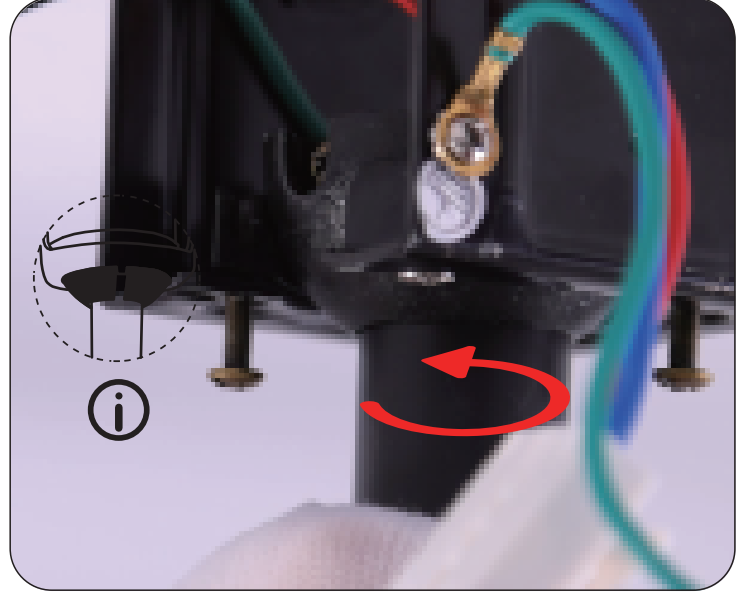
16. Align the 2 screws you just removed with the screw holes and tighten the screws



# 07) Assembly-hanging the Fan ( continued )

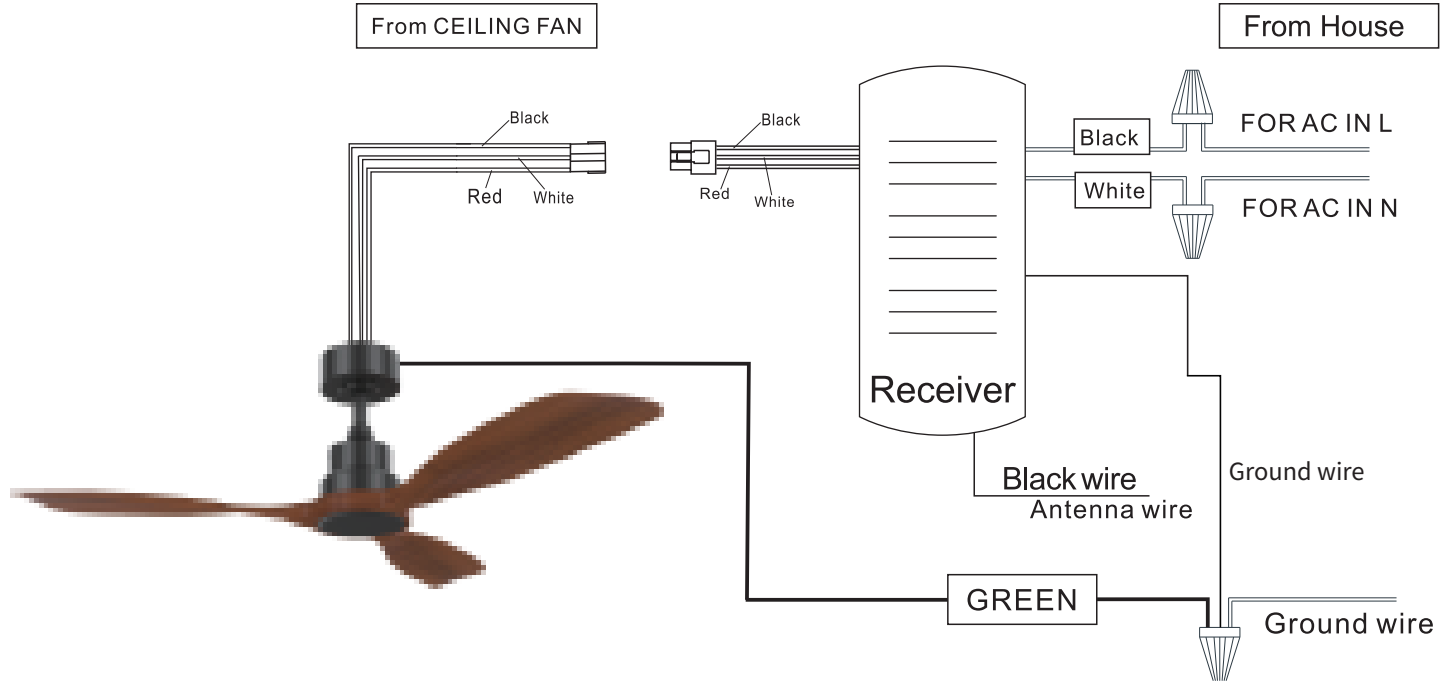


18. Install the downrod, put the rod ball to the slide-on mounting bracket (both of them have the gaps, align the gap and jam it)



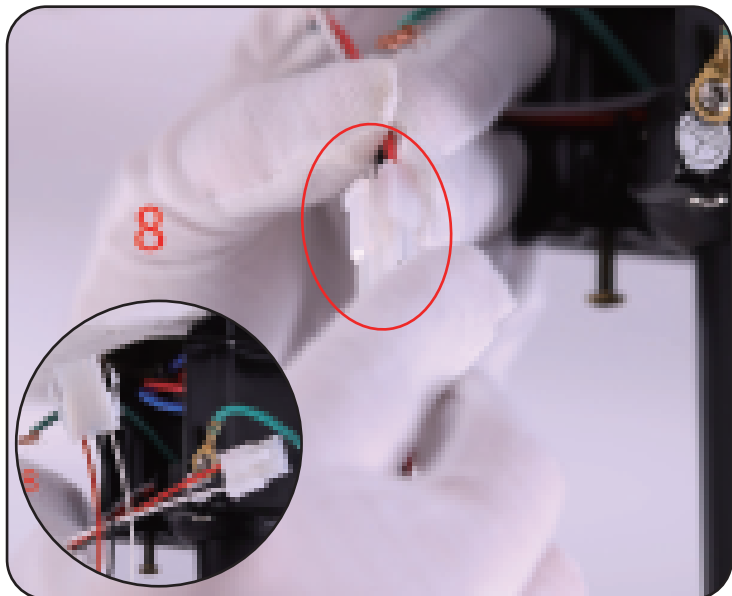
**WARNING:** Turn off the electric power during installation and making wire connection.

1. Connect the wire which from ceiling fan into the receiver.
2. Connect the wire from receiver with the wire from house.

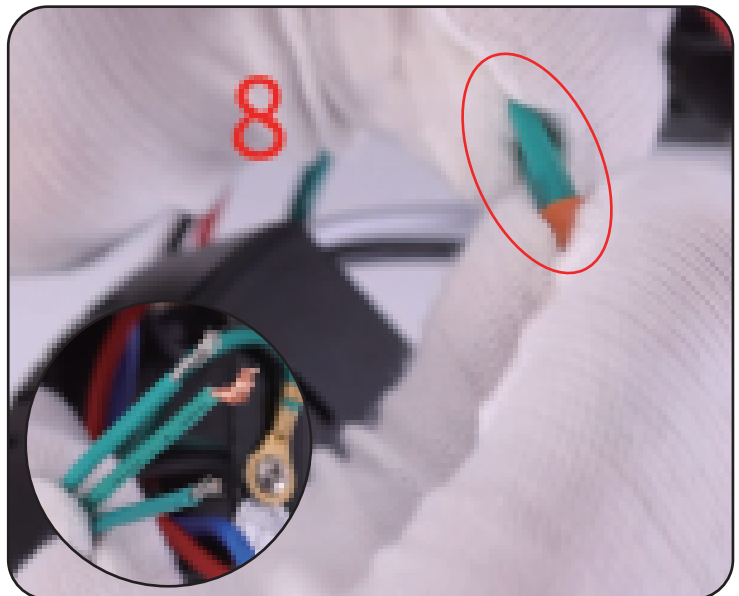


## 07) Assembly-hanging the Fan ( continued )

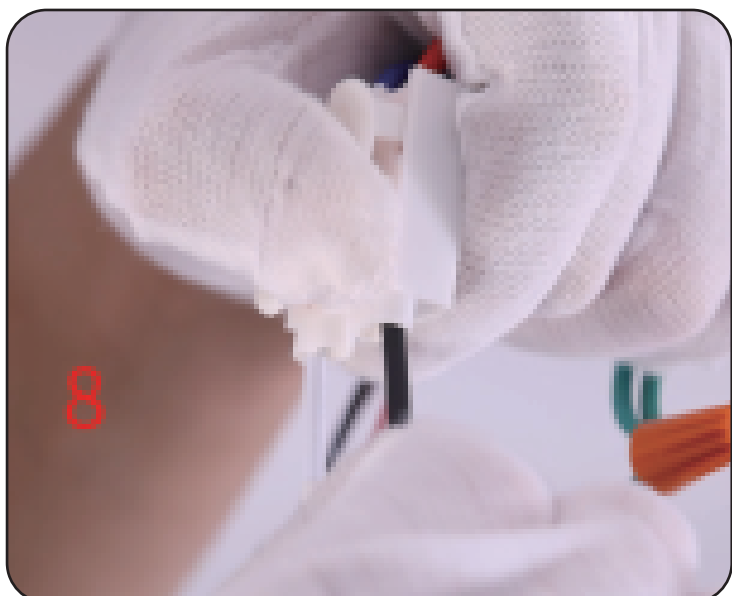
19. Connect the wire from the ceiling fan to the receiver ( Red, White, and Black wires)



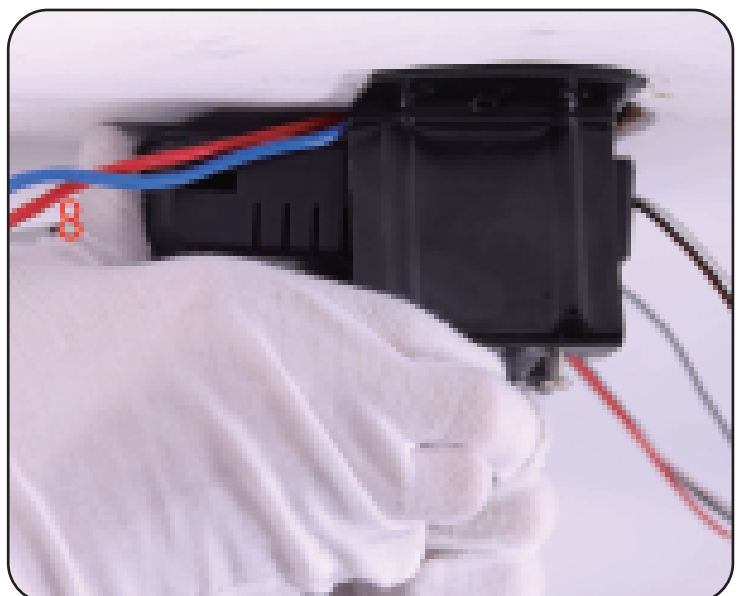
20. Use wire connecting nuts to connect the three ground wires ( green ) coming from the downrod, receiver and ceiling racket



21. Connect the fan live wire (black) to your house live wire; Connect the fan neutral wire (white) to your house neutral wire

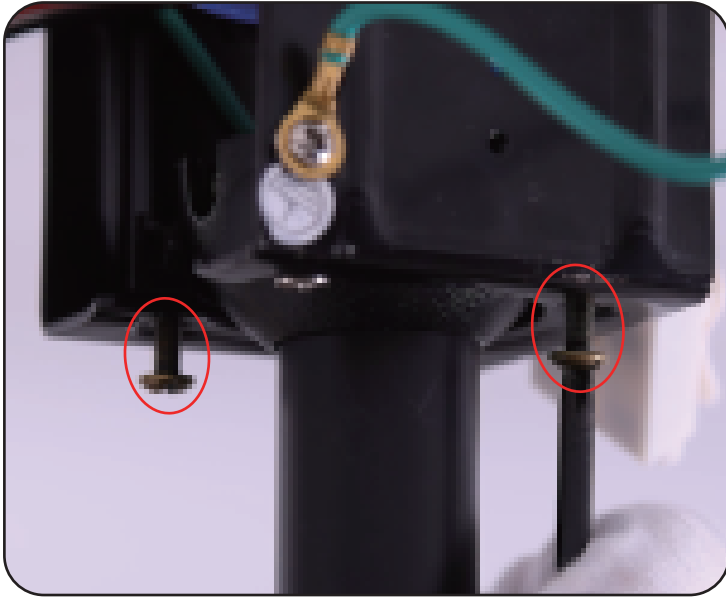


22. Put the receiver into the mounting bracket

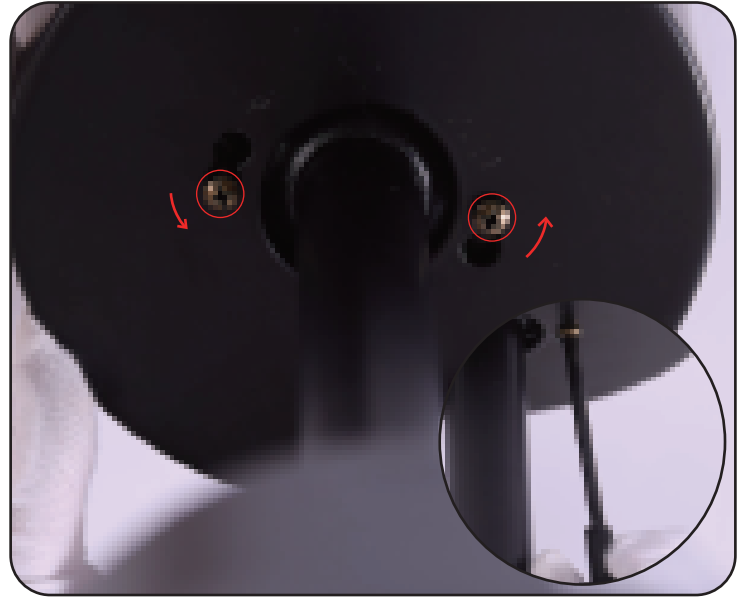


## 08) Installation procedure

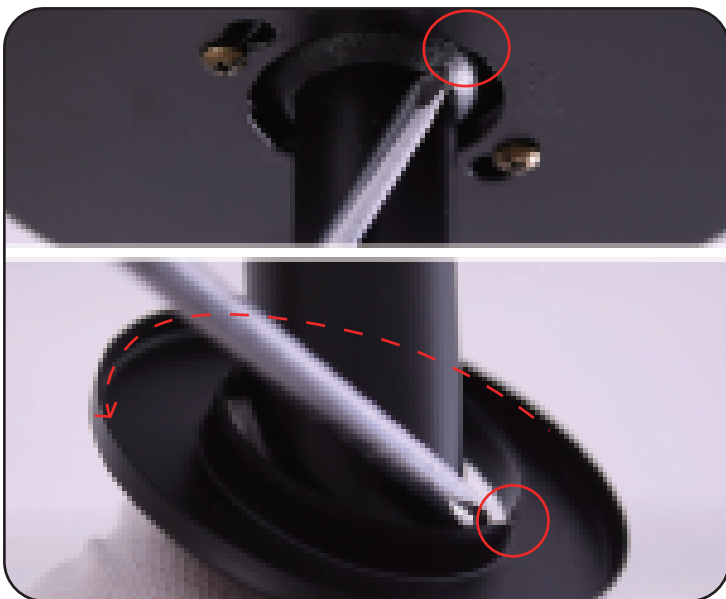
23. Loosen the screws  
(do not remove them)



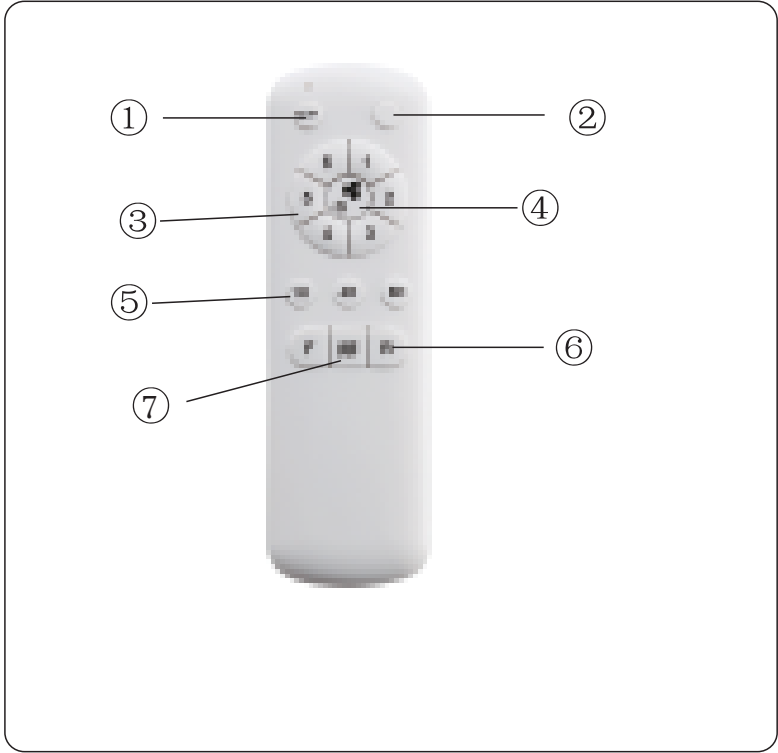
24. Wrap keyhole slots around  
the screws, twist clockwise and  
tighten 2 screws



25. Lift the canopy cover to the  
canopy, then turn and tighten



## 09) Use of remote control



- ① Fan off
- ② N/A
- ③ 6 Wind Speeds
- ④ Fan off
- ⑤ 3 Kinds of Timing
- ⑥ Fan Reverse Mode
- ⑦ Natural Wind Mode

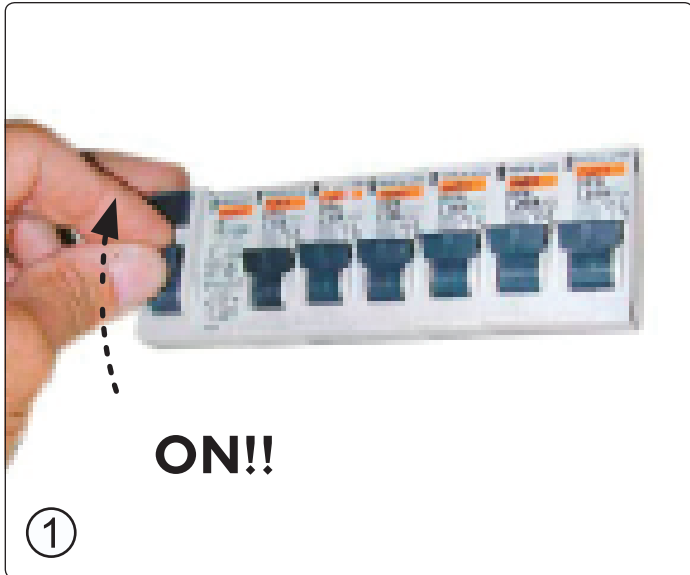
**Note:** the remote control must match the same code receiver

 **When the reversible button is pressed, the fan slowly slows down to a stop and then begins to reverse.**

## 10 Match code



if it does not work



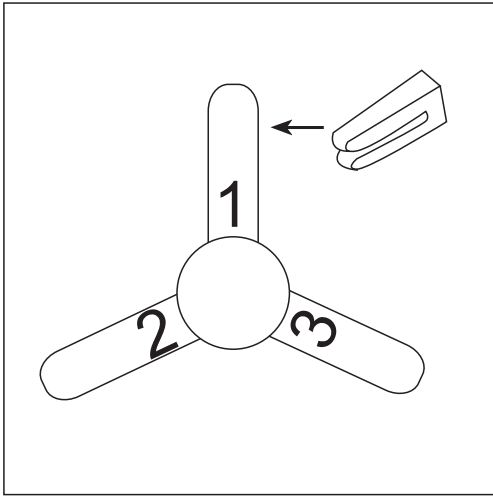
1. Turn on the main switch.



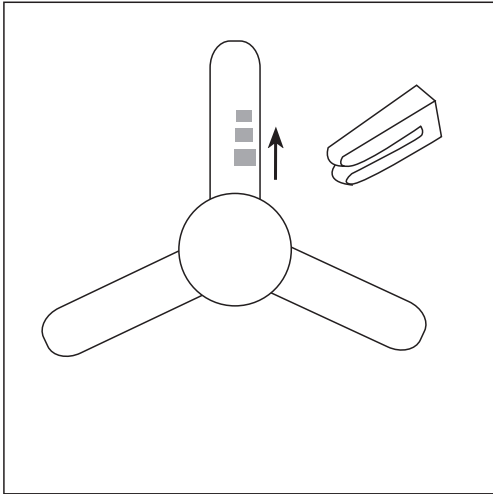
2. Pressing and holding this key for 5 seconds.



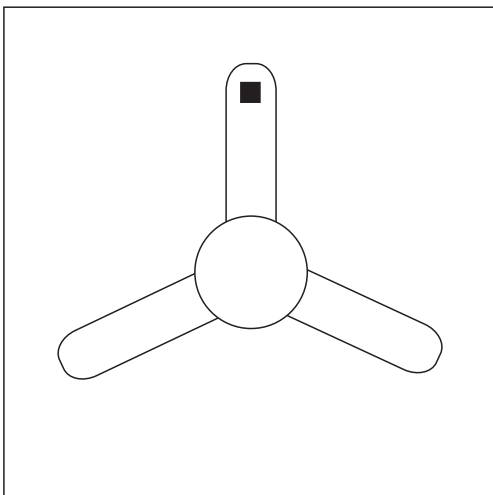
## 11) Adjusting and balancing your ceiling fan blades



Slide the balancing clip on the trailing edge of any blade, halfway between the holder and tip. Run the fan to check the wobble. If the wobble persists, repeat with each blade, noting which one most reduced the wobble.



Slide the clip in small increments away from the center of that blade. Move the clip, operate the fan, then move it again until you eliminate as much wobble as possible.



Stick the adhesive-backed balancing weight on the top center of the blade directly in line with the balancing clip. Add more weight if needed to get a smooth-running fan.

## 12) Care and Cleaning



**WARNING:** Make sure the power is off before cleaning your fan.

- Because of the fan's natural movement, some connections may become loose. Check the support connections, brackets, and blade attachments twice a year. Make sure they are secure. It is not necessary to remove the fan from the ceiling.
- Clean your fan periodically to help maintain its new appearance over the years. Do not use water when cleaning, as this could damage the motor, or the wood, or possibly cause an electrical shock. Use only a soft brush or lint-free cloth to avoid scratching the finish. The plating is sealed with a lacquer to minimize discoloration or tarnishing.
- You can apply a light coat of furniture polish to the wood for additional protection and enhanced beauty. Cover small scratches with a light application of shoe polish.
- You do not need to oil your fan. The motor has permanently-lubricated sealed ball bearings.

## 13) Trouble shooting

Problem	Solution
The fan will not start.	<ul style="list-style-type: none"> <li>□ Check the main and branch circuit fuses or breakers.</li> <li>□ Check the line wire connections to the fan and switch wire connections in the switch housing.</li> </ul>
The fan is noisy.	<ul style="list-style-type: none"> <li>□ Ensure all motor housing screws are snug.</li> <li>□ Ensure the screws that attach the fan blade bracket to the motor hub are tight.</li> <li>□ Ensure the wire nut connections are not rattling against each other or the interior wall of the switch housing.</li> <li>□ Allow a 24-hour "breaking in" period. Most noises associated with a new fan disappear during this time.</li> <li>□ If you are using the Ceiling Fan light kit, ensure the screws securing the glassware are tight. Check that the light bulbs are also secure.</li> <li>□ Ensure the canopy is a short distance from the ceiling. It should not touch the ceiling.</li> <li>□ Ensure your outlet box is secure and rubber isolator pads were used between the mounting plate and outlet box.</li> </ul>
The fan wobbles.	<ul style="list-style-type: none"> <li>□ Please check and follow the instructions: Chapitre No.11 Fan balance on page 14.</li> </ul>

If you have any questions, please contact us. We will help you solve any problem.

