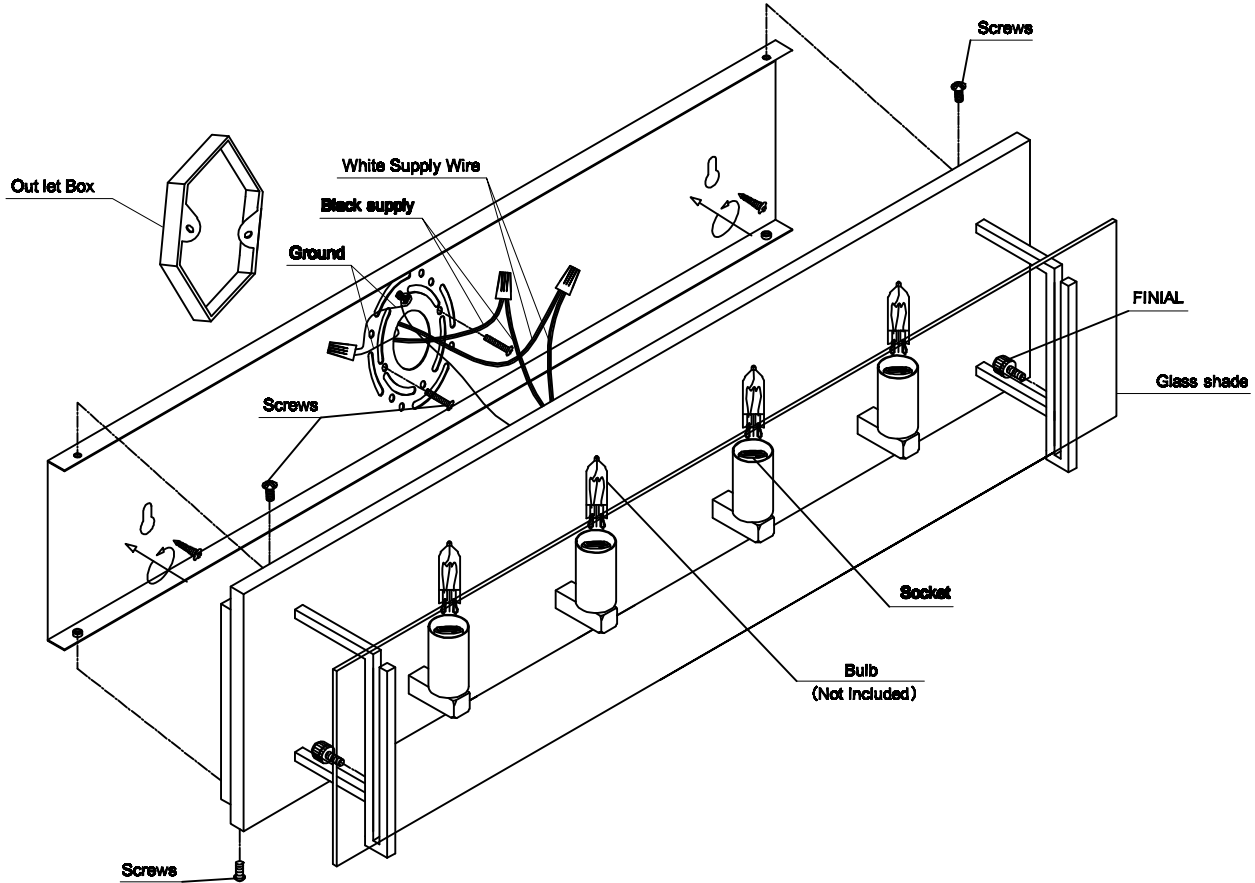


ASSEMBLY INSTRUCTIONS

(English)



- 1) Turn off the power supply
- 2) Ground installation (see the following figure on right)
There are one hole and two rise s in the square holes of the backplate, attach the ground wire on the junction box on green screw, lock the green screw in the tooth hole.
If the lamps have ground wire, use the binding post to connect the ground wires of the lamps ground and the junction box together.
Notes: Do not connect ground wire to the main power line.
- 3) Properly connect power lines in accordance with the following graph indication.

Connect black or red main power line to	Connect white power wire to
Black power line	White power line
Similar power lines (round or smooth)	Similar power lines (squares or)
Transparent, brown, gold or black (without traces)	Transparent, brown, golden or black (with trace)
Insulated wire (except green one) (With copper wire)	Insulated wire (except green) (with 3 silver lines)

Note: When the wires used are the same color, Neutral wires are square or rugose, but live wires are rounded or smooth (see diagram on right)

Neutral wires

- 4) Carefully put the wires connected into the junction box, and must ensure that all wires are securely connected.
- 5) Put the backplate on the wall, the upper and lower hole the panel should be aligned with the upper and lower tooth holes in the backplate, necessary to ensure that wires on the panel will not be crushed.
- 6) Lock screws.
- 7) Install light bulb