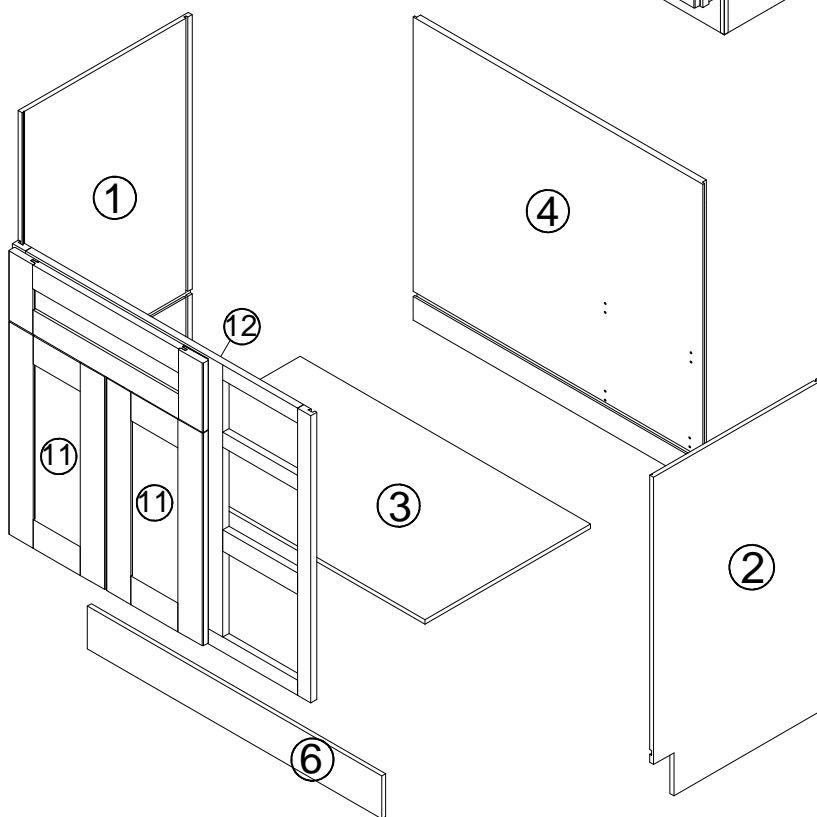
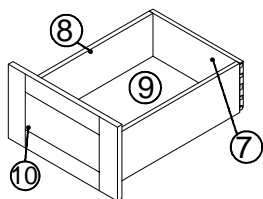
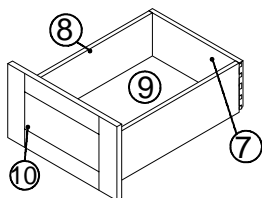
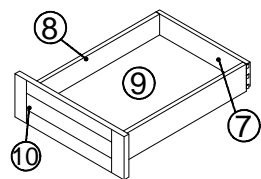
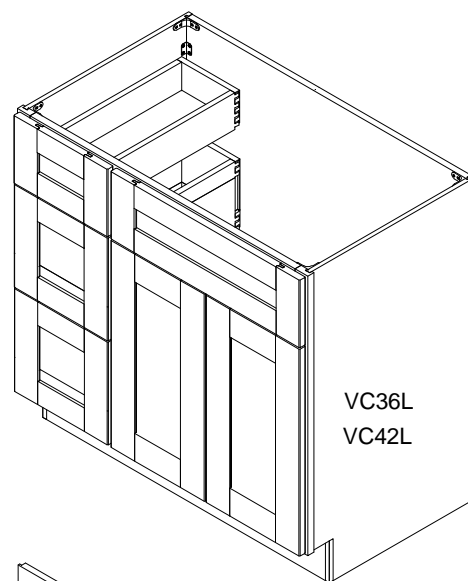
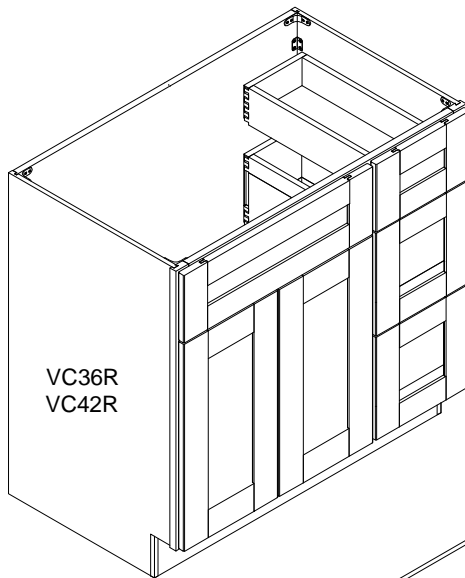


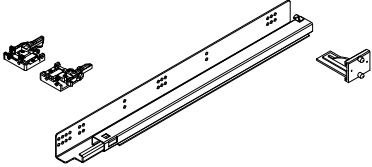
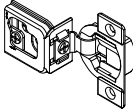
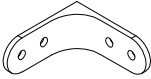
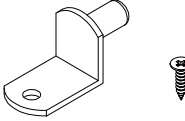
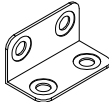





PROJECT NAME:  
 ITEM NAME: BASE CABINET\_2DOOR\_1DRAWER  
 ITEM CODE:VC36L,VC42L,VC36R,VC42R

### PARST LIST

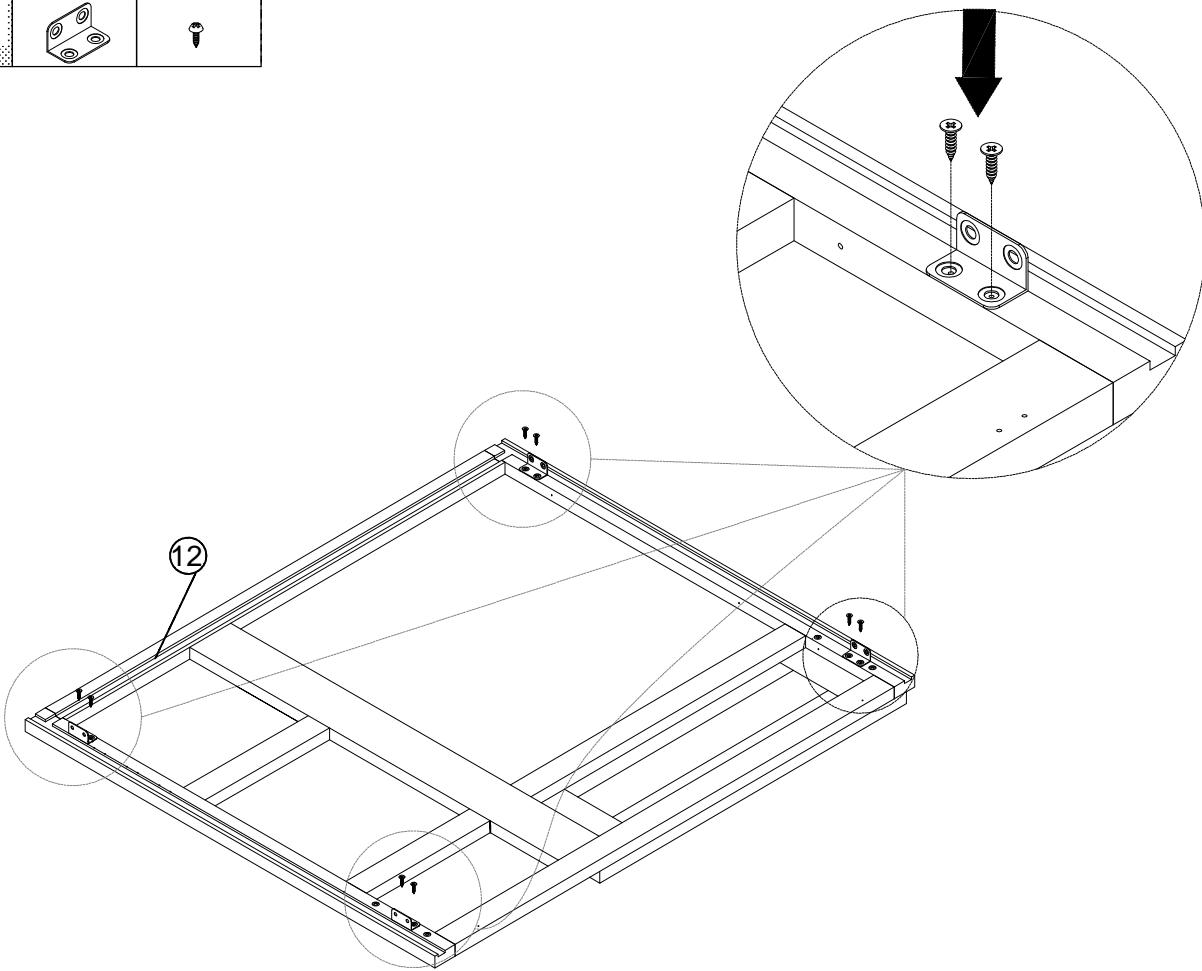
NO	NAME	QTY
1	RIGHT SIDE PANEL	01pcs
2	LEFT SIDE PANEL	01pcs
3	BOTTOM PANEL	01pcs
4	BACK PANEL	01pcs
5	SHELF	0pcs
6	TOE KICK	01pcs
7	DRAWER BACK&FRONT PANEL	03pcs
8	DRAWER SIDE PANEL	06pcs
9	DRAWER BOTTOM PANEL	03pcs
10	DRAWER FACE	04pcs
11	DOOR	02pcs
12	FACE FRAME	01pcs



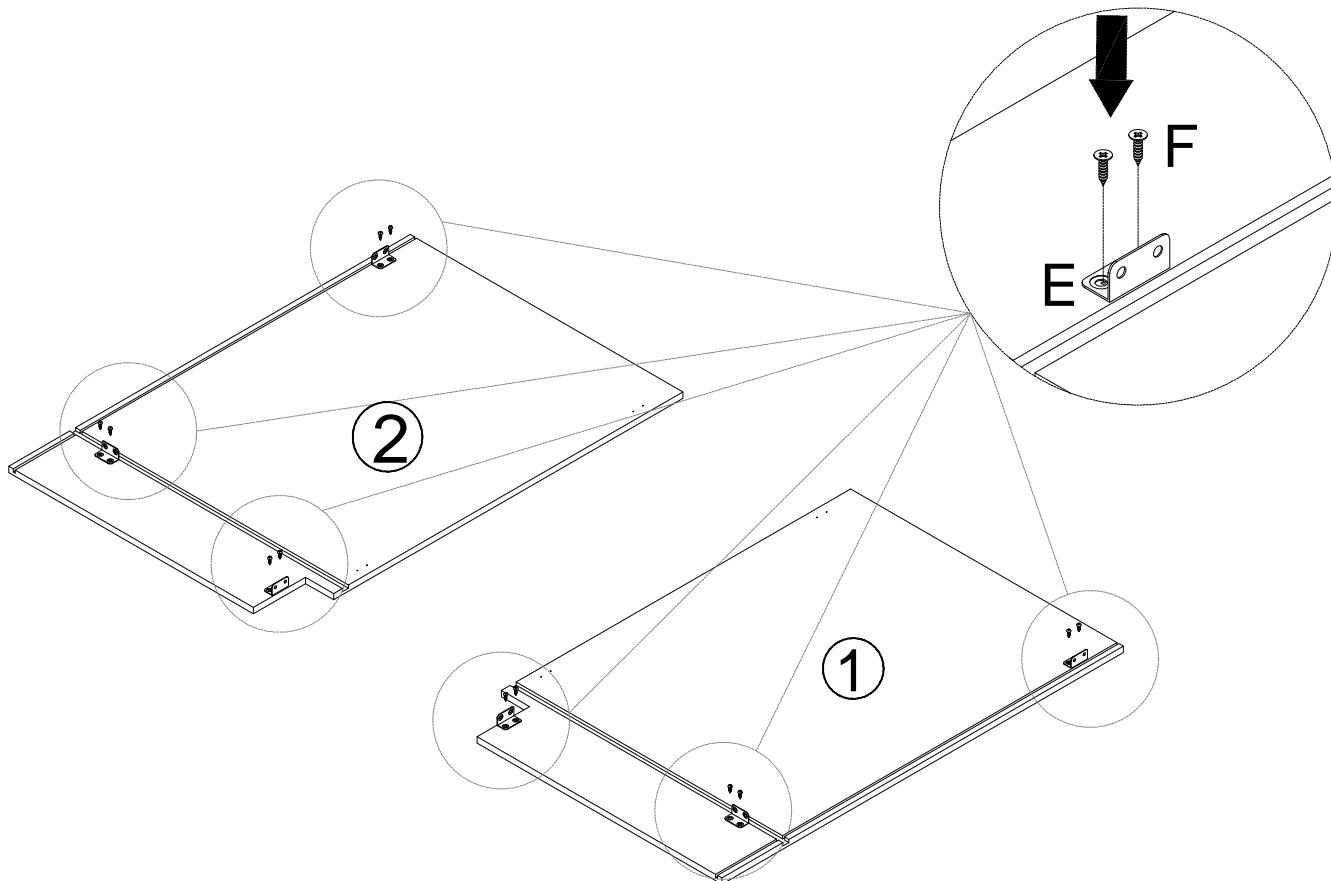
HARDWARE LIST

NO	NAME	picture	QTY
A	GLIDES		3pcs
B	HINGE 1-1/4		04pcs
C	90°METAL BRACKET		04pcs
D	SHELF PINS Φ3×12mm SCREWS		0pcs
E	CORNER BRACKET		11pcs
F	Φ3.5×12mm SCREWS		61pcs
G	Φ4×25mm BACKBOARD SCREWS		3pcs
H	Φ4×19mm HINGE SCREWS		4pcs
k	Φ4×16mm HINGE SCREWS		8pcs
I	BUMPER		8pcs

**STEP1**    E x 4    F x 8

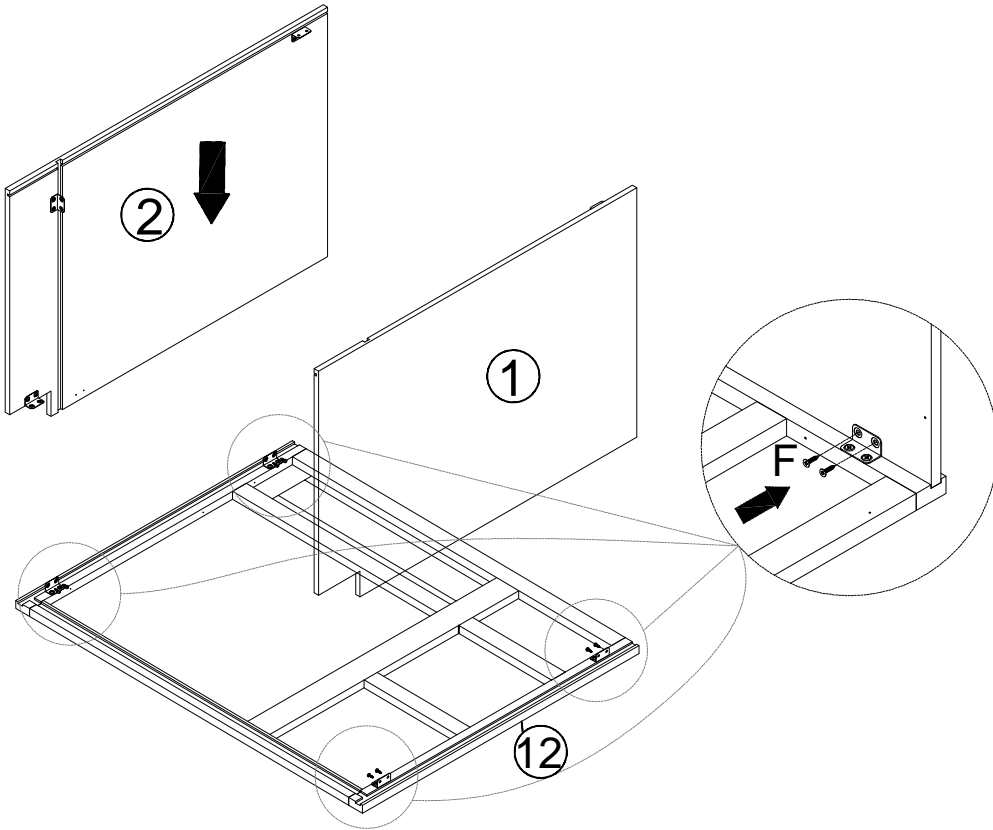


**STEP2**    E x 6    F x 12

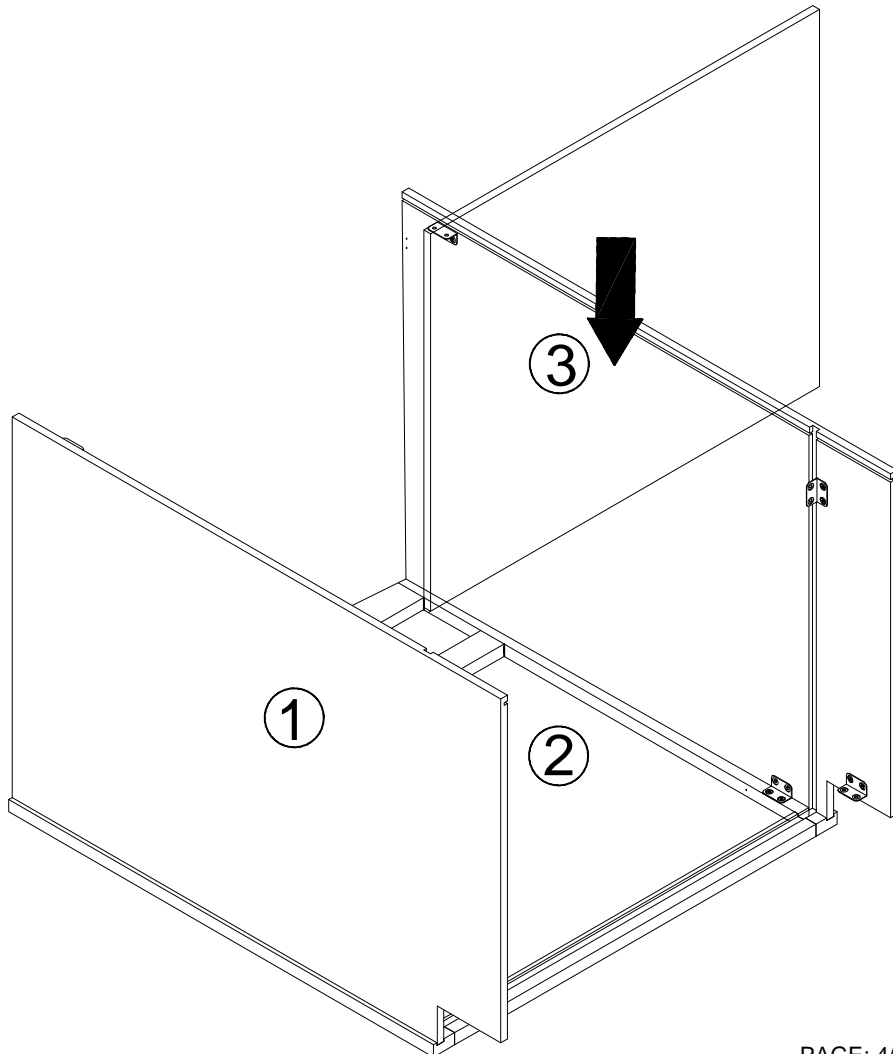


**STEP3**

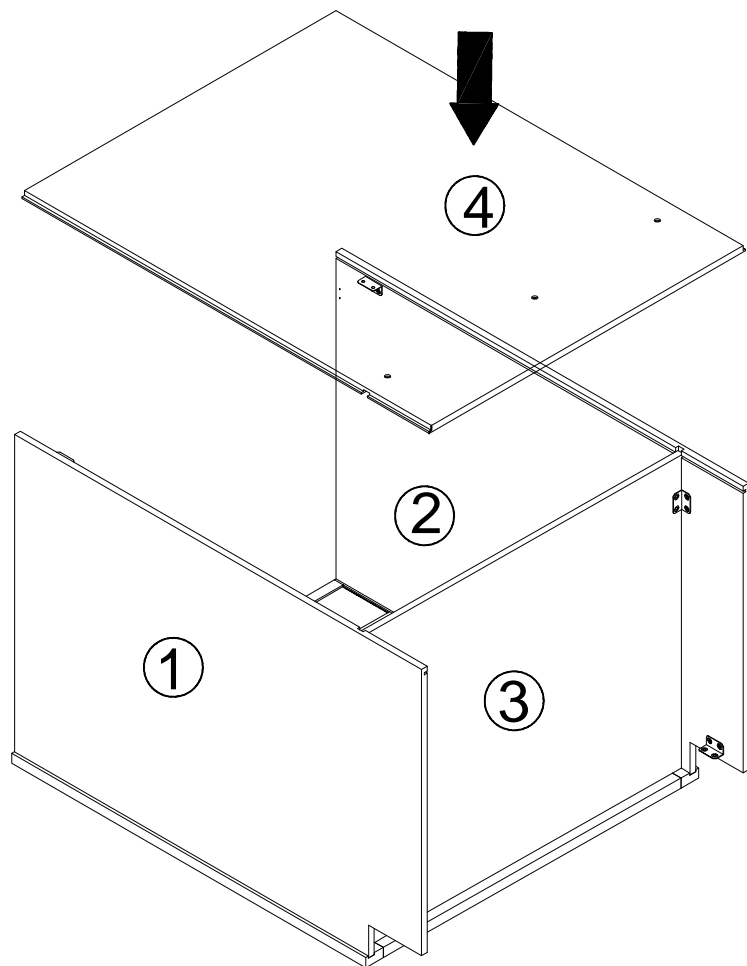
F x 8



**STEP4**



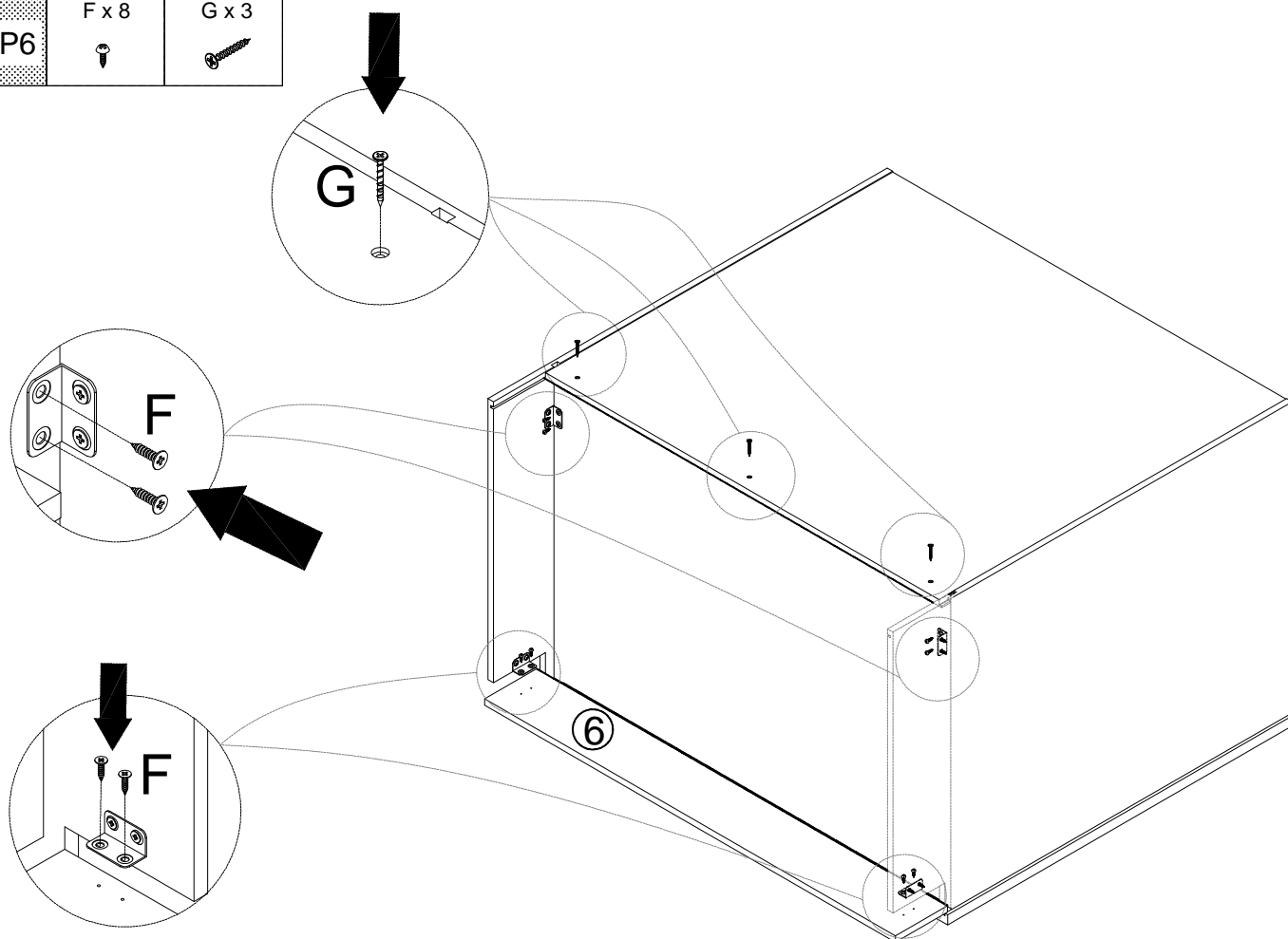
STEP5



STEP6

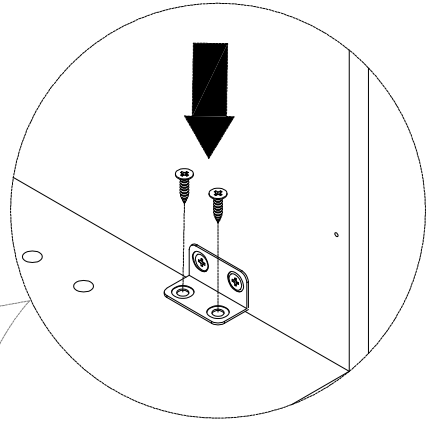
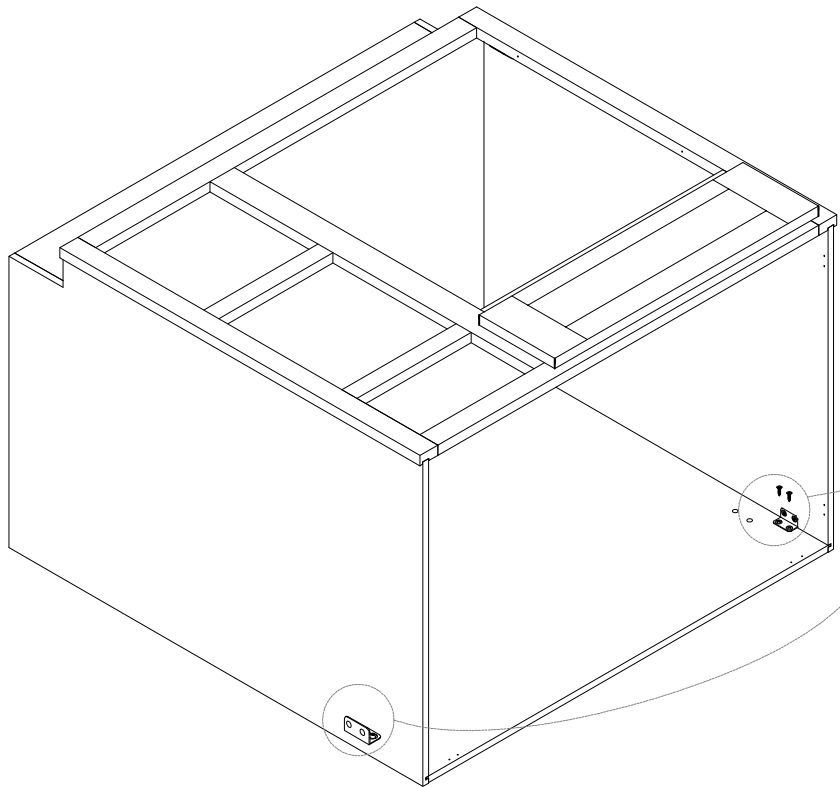
F x 8

G x 3



**STEP7**

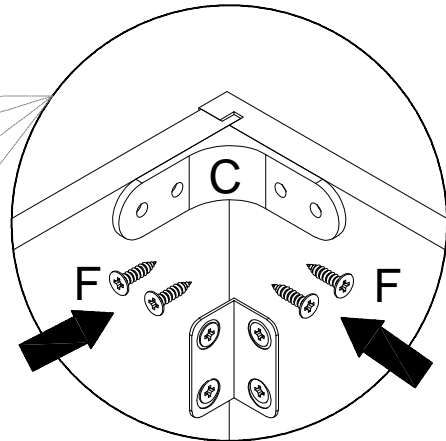
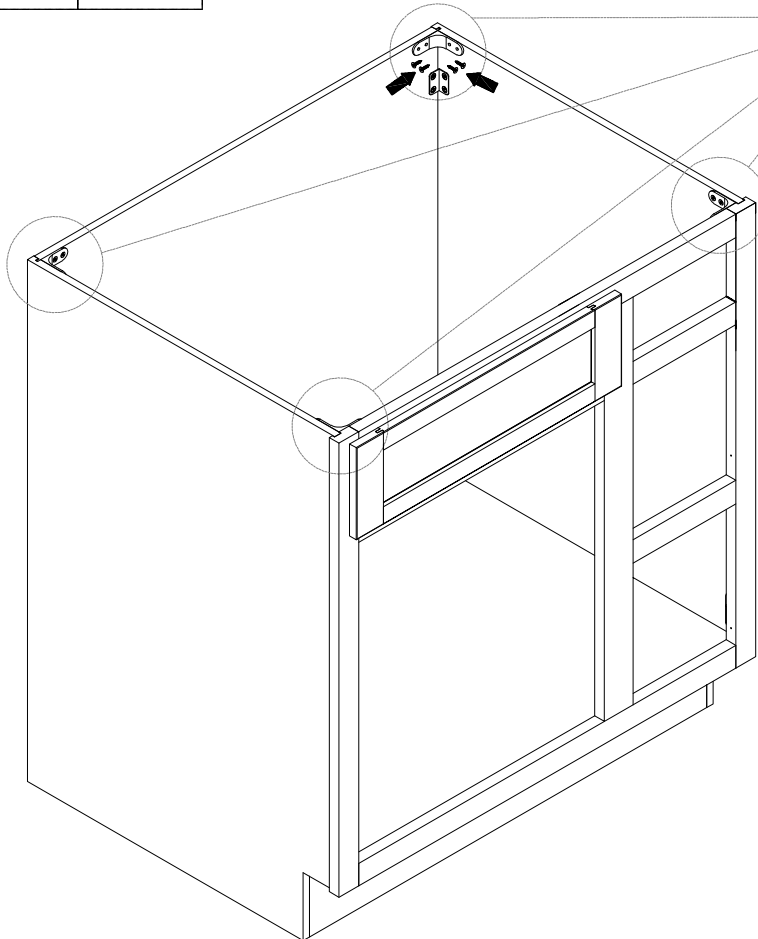
F x 4



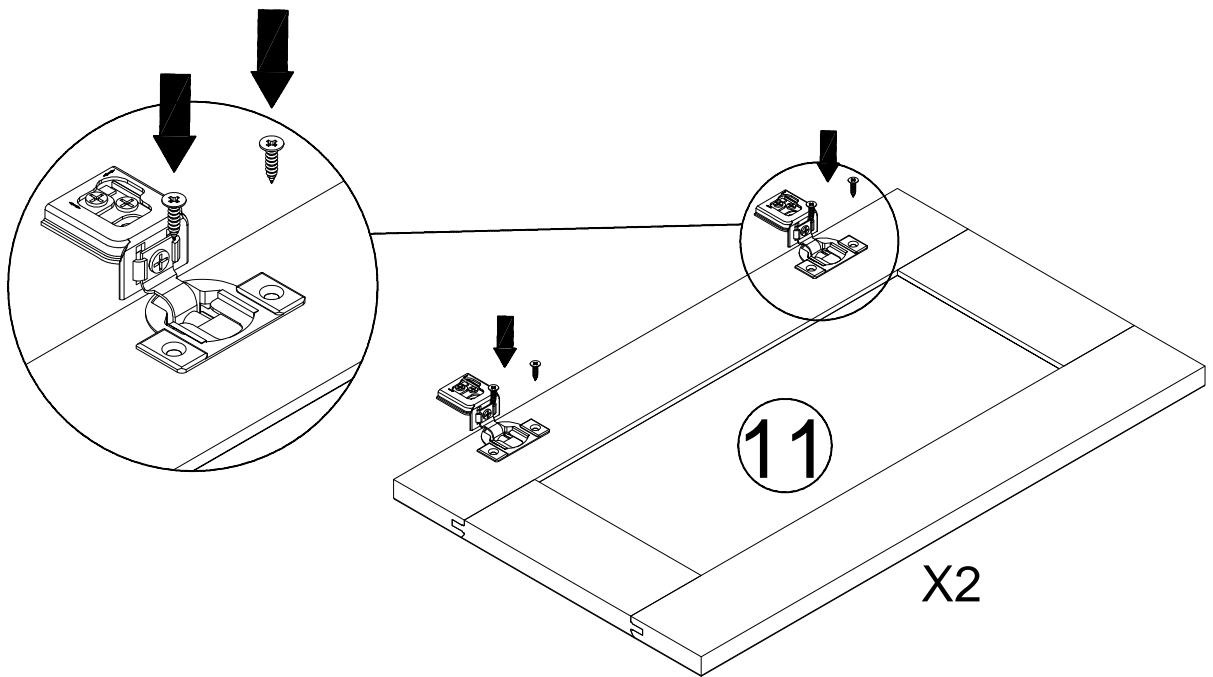
**STEP8**

C x 4

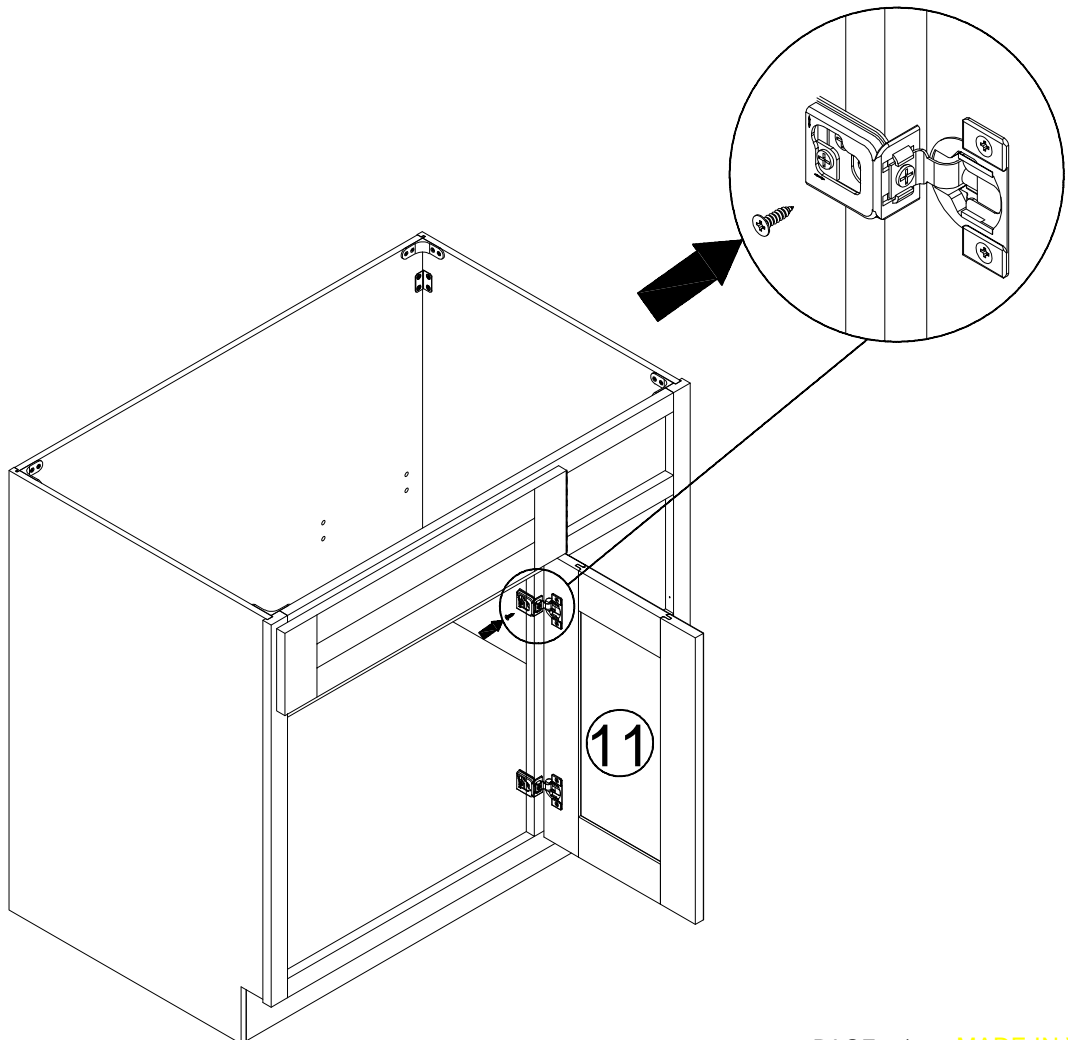
F x 16



**STEP9**    B x 4    K x 8

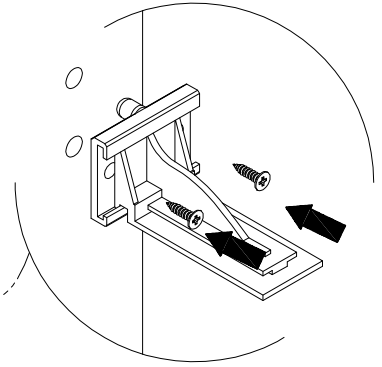
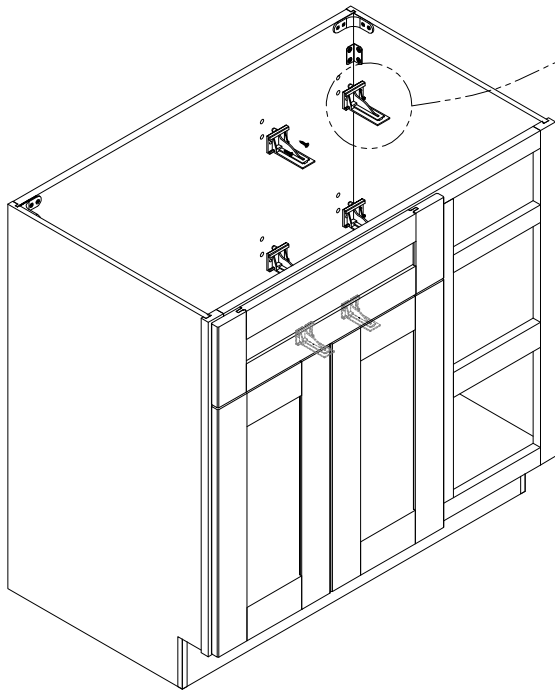


**STEP10**    H x 4



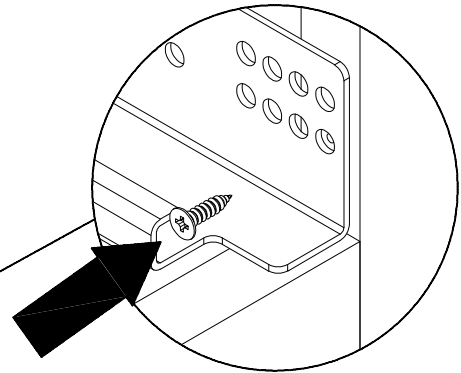
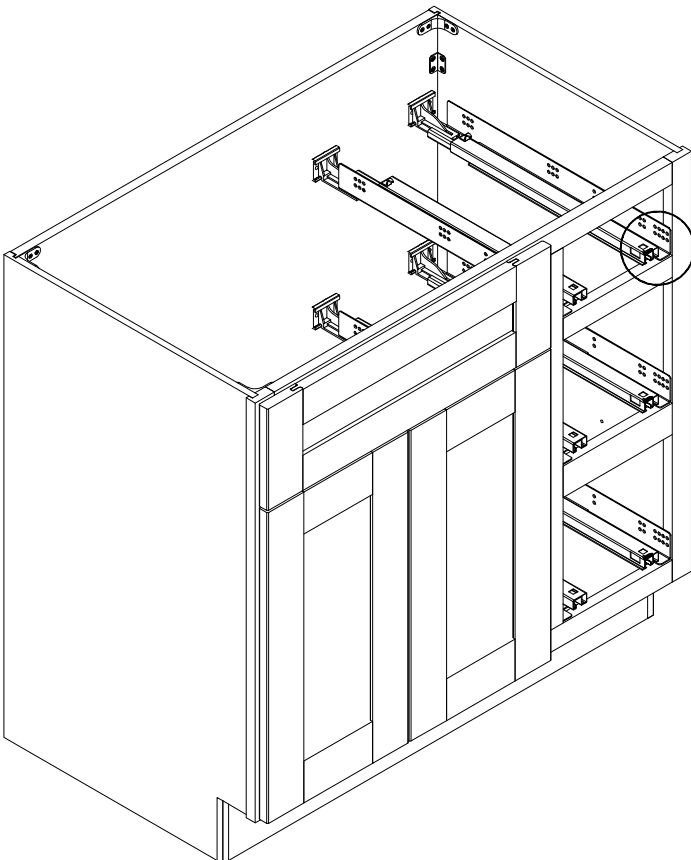
STEP11

A x 3

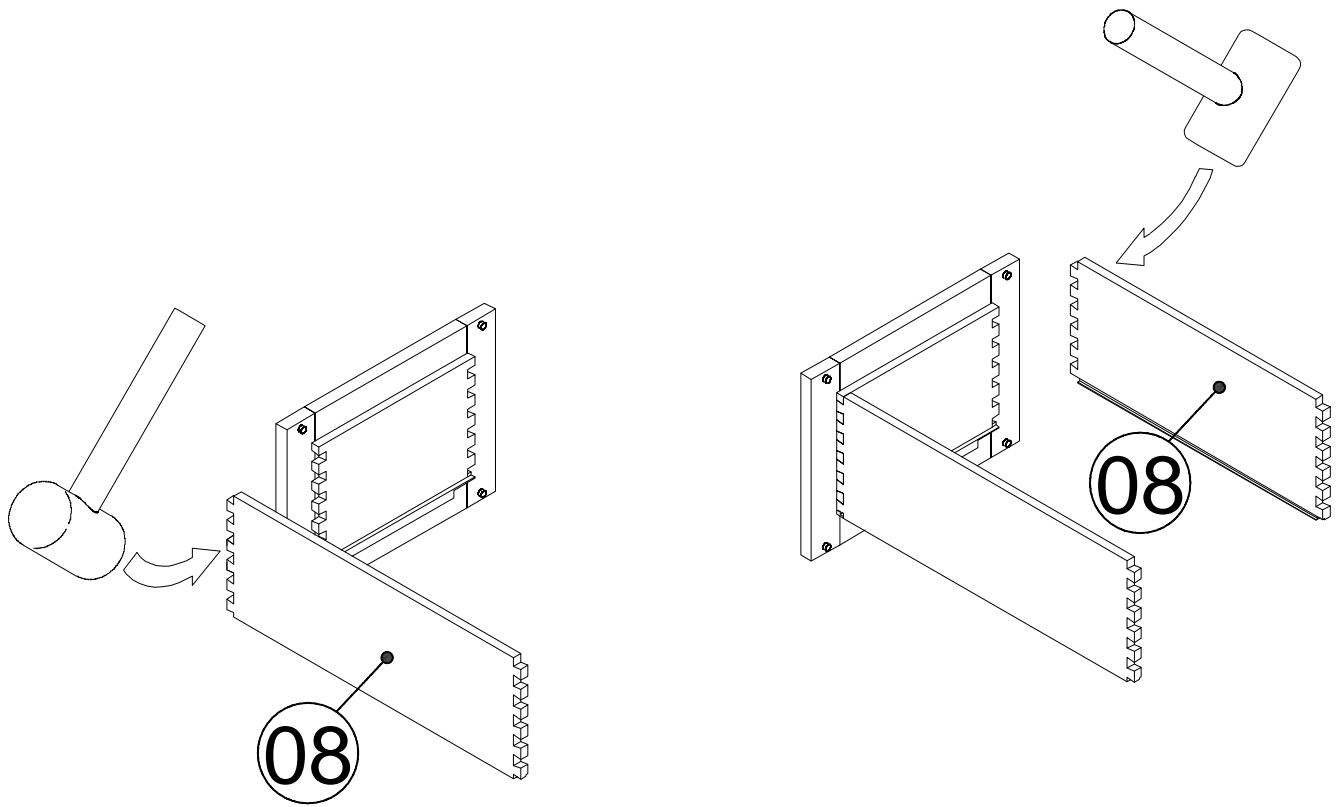


STEP12

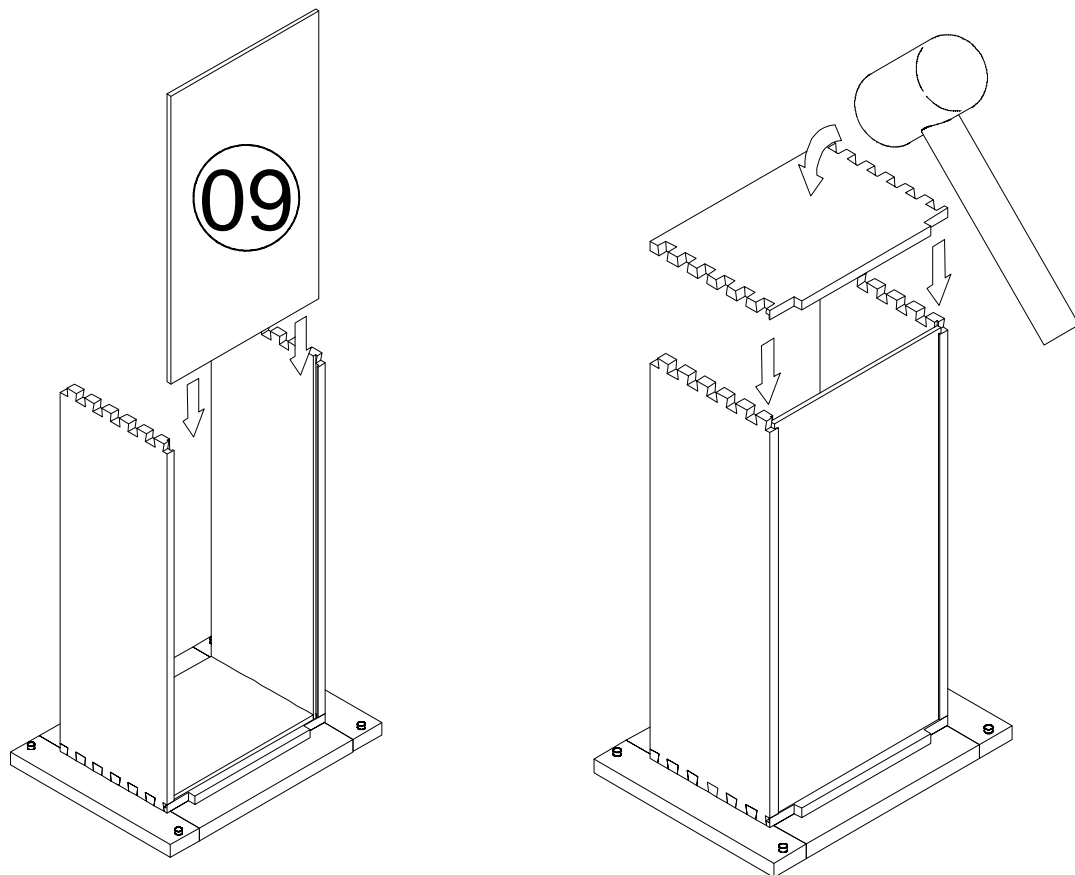
A x 3



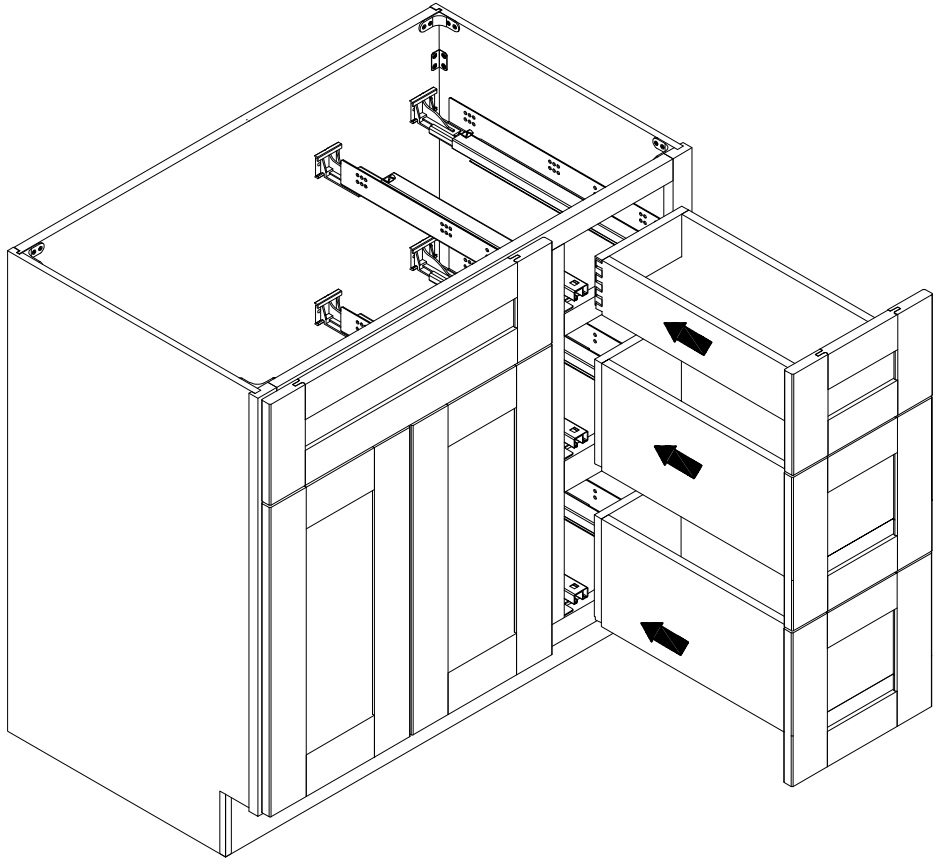
STEP13



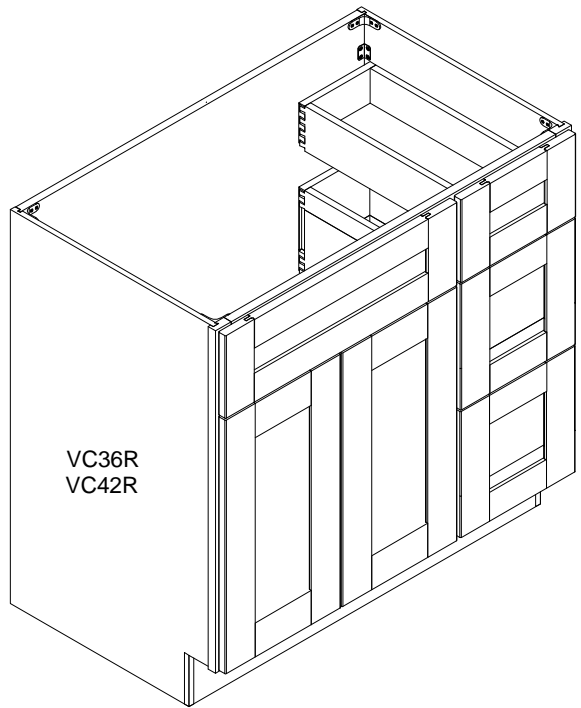
STEP14



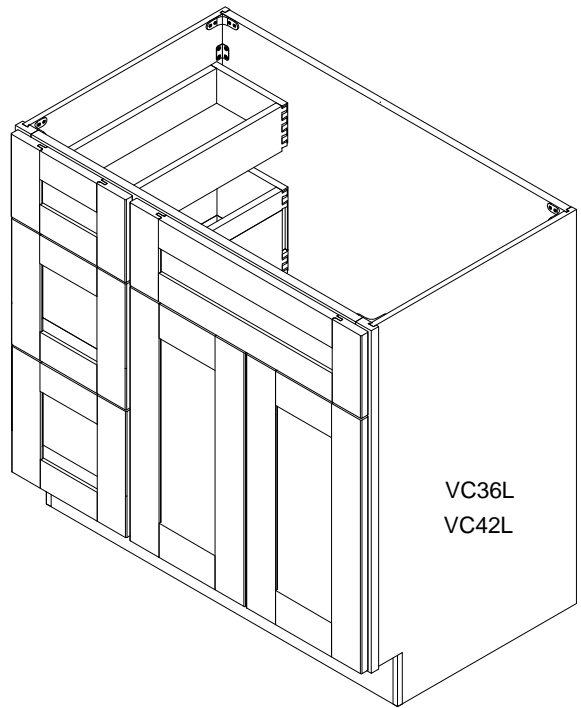
STEP15



STEP16



VC36R  
VC42R



VC36L  
VC42L