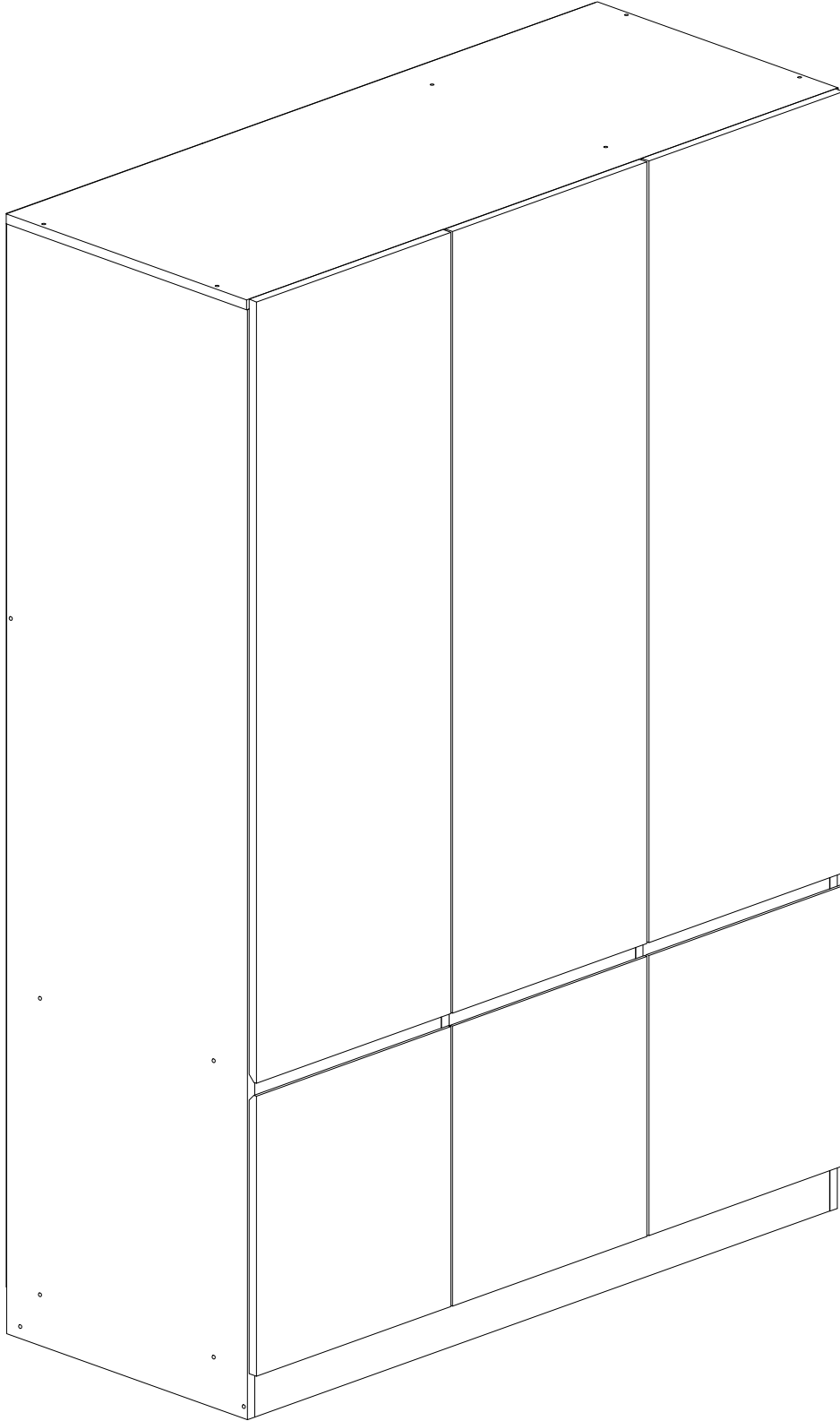


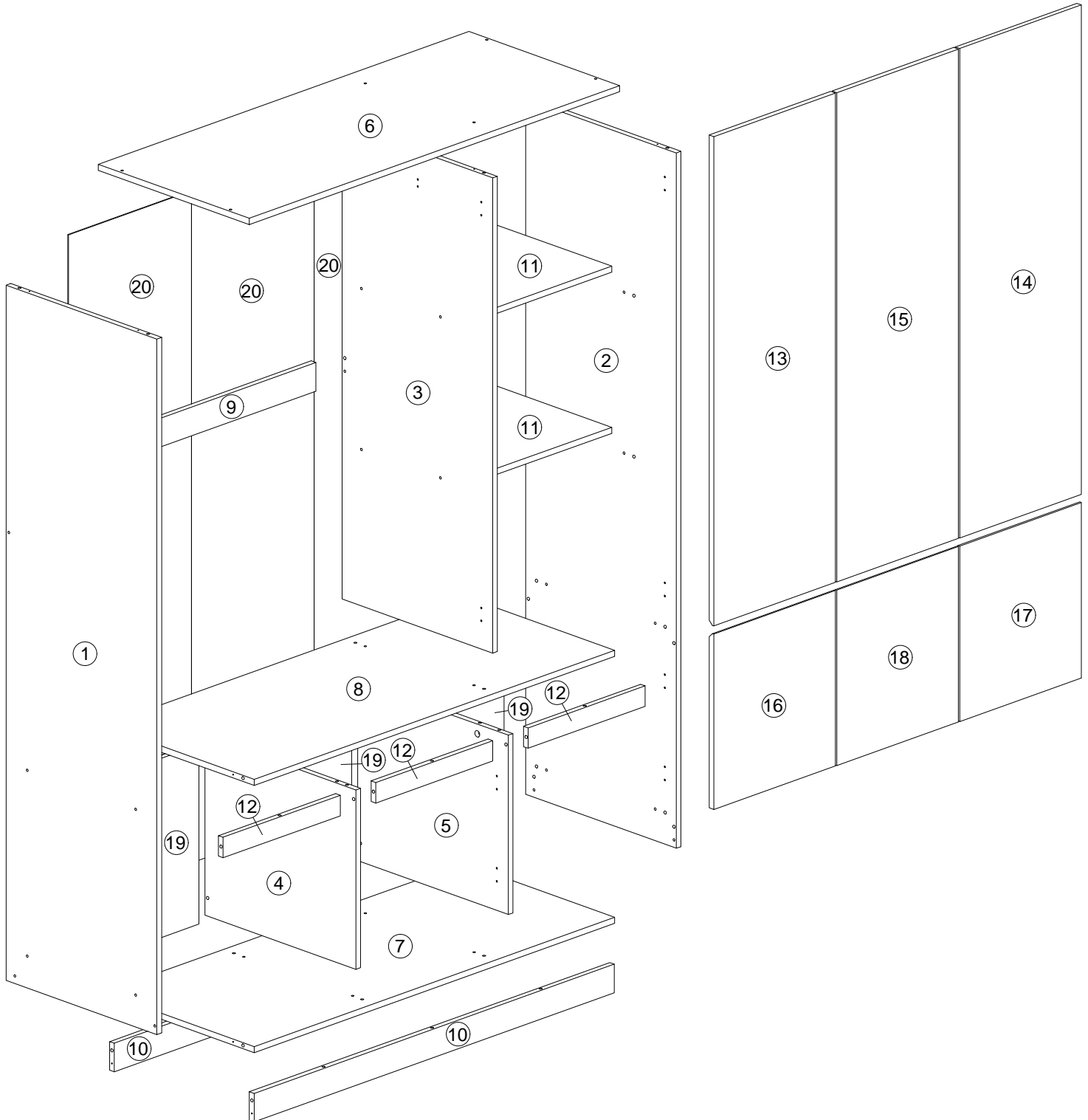
Assembly Instruction

SKU CODE : N820P188195 / N820P188196



Assembly Instruction

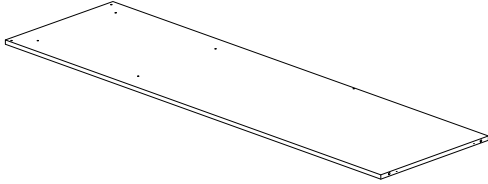
Detail :



Assembly Instruction

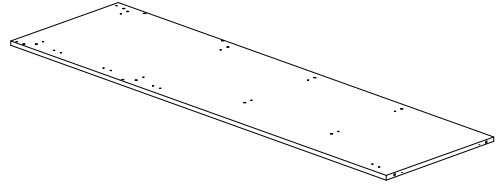
Part List (N820P188195)

① X 1



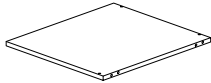
Side Panel Left

② X 1



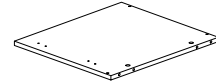
Side Panel Right

④ X 1



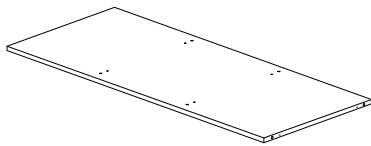
Center Panel Left - Down

⑤ X 1



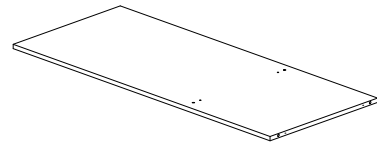
Center Panel Right - Down

⑦ X 1



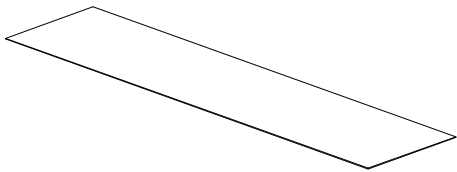
Bottom Panel

⑧ X 1



Partition Panel Big

⑳ X 3

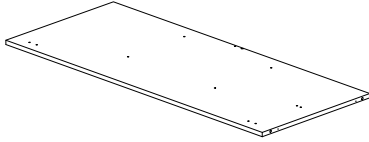


Back Panel

Assembly Instruction

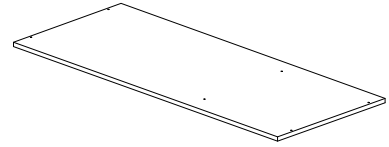
Part List (N820P188196)

③ X 1



Center Panel Big

⑥ X 1



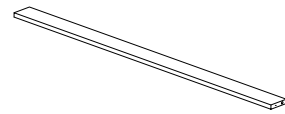
Top Panel

⑨ X 1



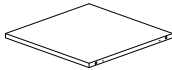
Back Support Panel Left

⑩ X 2



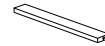
Bottom Support Panel

⑪ X 2



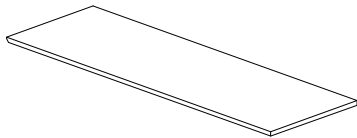
Partition Panel Small

⑫ X 3



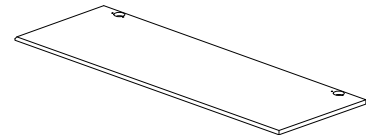
Partition Support Panel

⑬ X 1



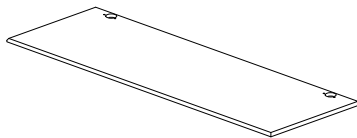
Door Panel Left - Up

⑭ X 1



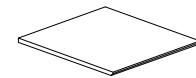
Door Panel Right - Up

⑮ X 1



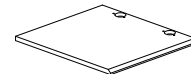
Door Panel Center Right - Up

⑯ X 1



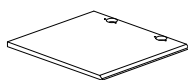
Door Panel Left - Down

⑰ X 1



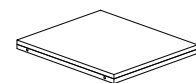
Door Panel Right - Down

⑱ X 1



Door Panel Center Right - Down

⑲ X 3







Back Panel Small

Assembly Instruction

Hardware List (Box)

No.	SHAPE	DESCRIPTION	Qty.
A		8x25mm Dowel (Wood)	65Pcs
B		15mm Myfix Minifix	4Sets
C		M3.5x16mm Screw	92Pcs
D		M4x45mm Screw	34Pcs
E		V Bracket	2Pcs
F		Hinges 2/8	4Pcs
G		Hinges 5/8	8Pcs
H		5/8 Nail With Pin	6Pcs
I		6/8 Power Pin	50Pcs
J		Aluminium Pipe(766mm)	1Pc
K		L Bracket	4Pcs
L		Sticker	17Pcs

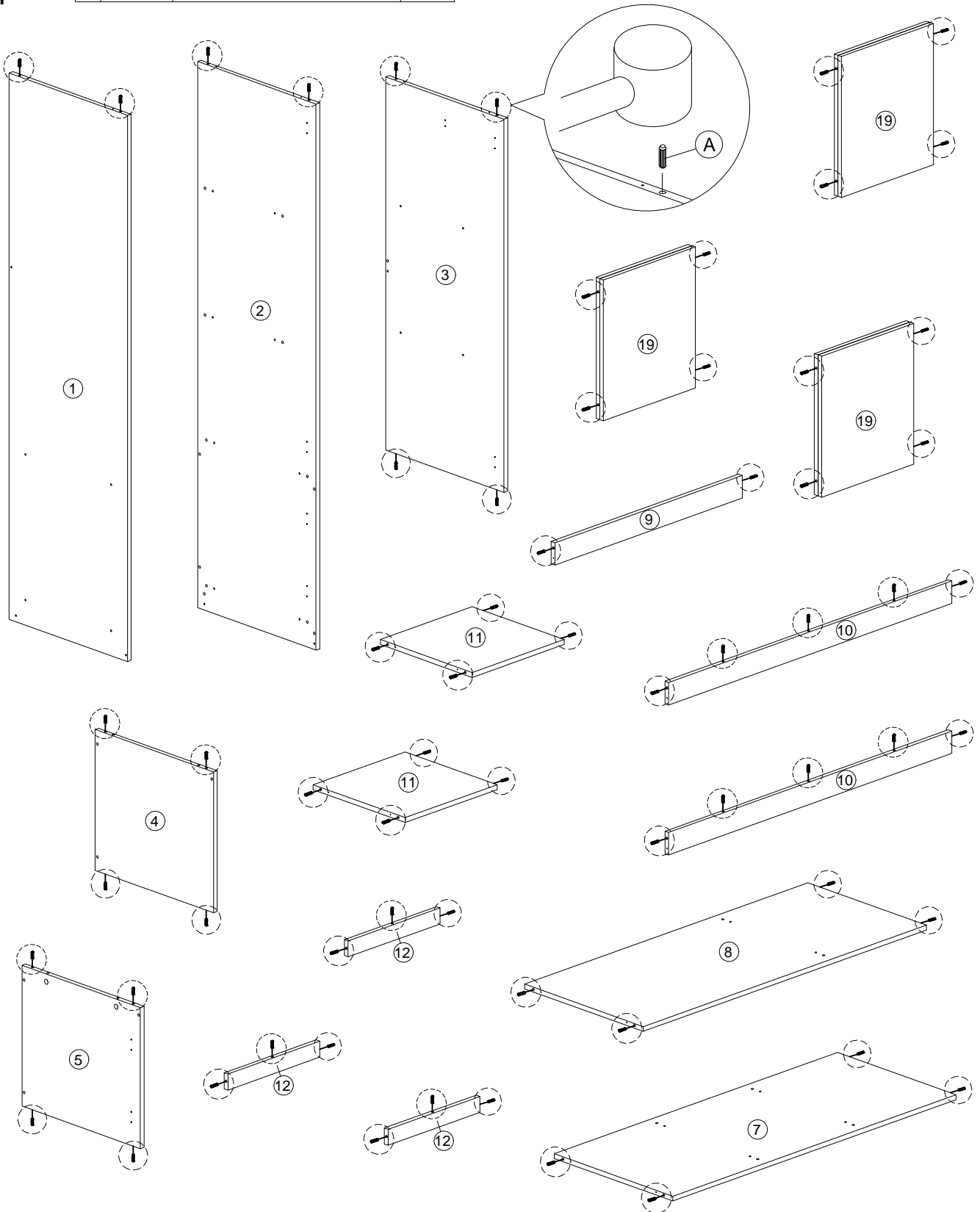
Anti Tipping Hardware (Box)

No.	SHAPE	DESCRIPTION	Qty.
a		Mounting Bracket	2Pcs
b		TP 6# x 5/8" Screw	1Pc
c		TP 8# x 2" Screw	1Pc
d		Restraint Strap	1Pc

Assembly Instruction

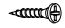

Step 1

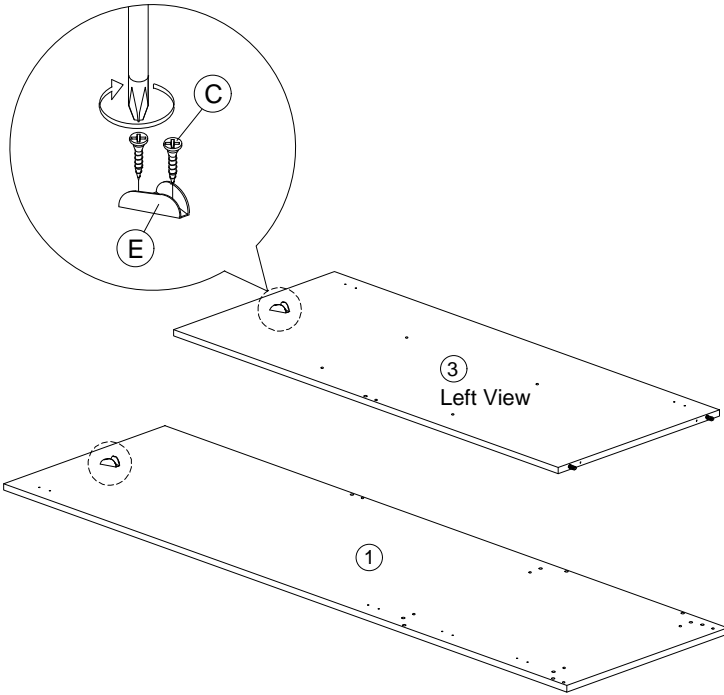
A		8x25mm Dowel (Wood)	65Pcs
---	--	---------------------	-------



Assembly Instruction

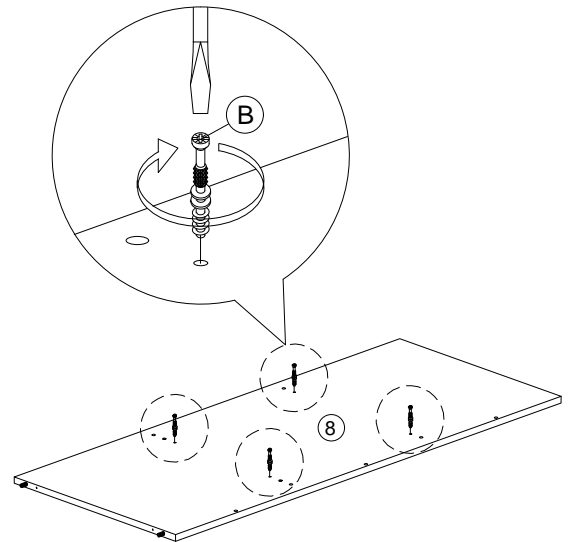
Step 2

C		M3.5x16mm Screw	4Pcs
E		V Bracket	2Pcs




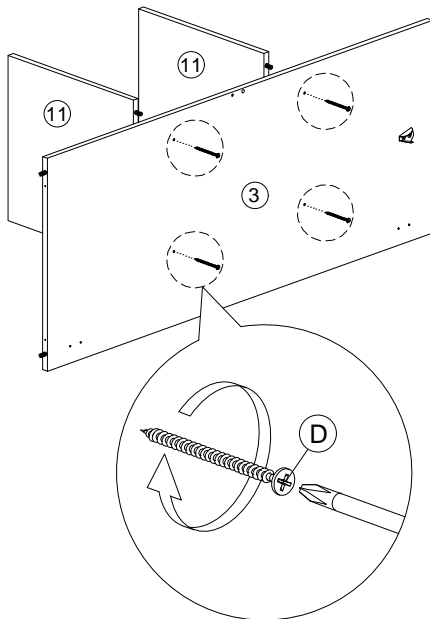
Step 3

B		Myfix	4Pcs
---	---	-------	------




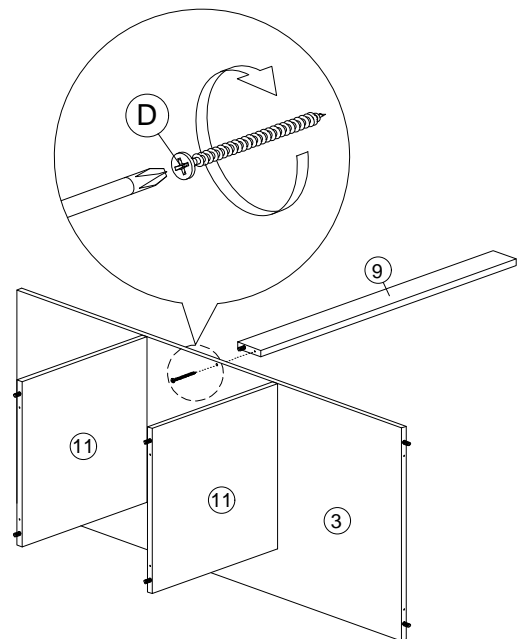
Step 4

D		M4x45mm Screw	4Pcs
---	---	---------------	------




Step 5

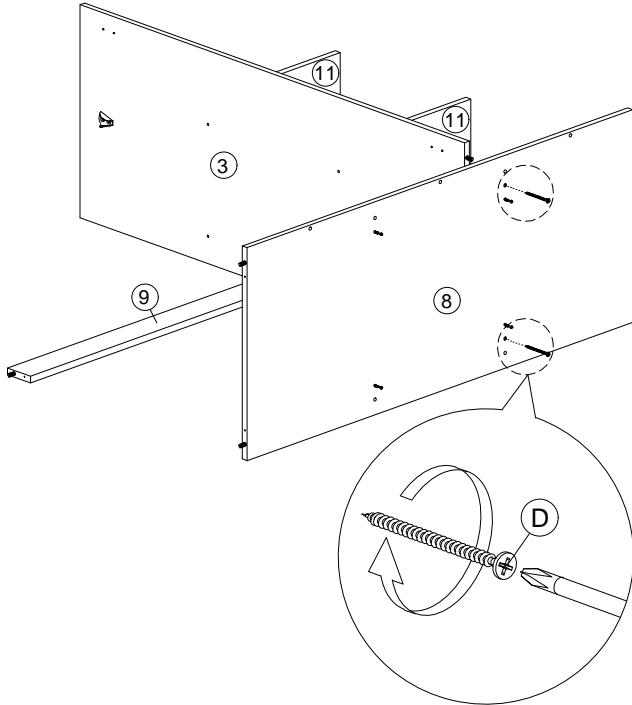
D		M4x45mm Screw	1Pc
---	---	---------------	-----



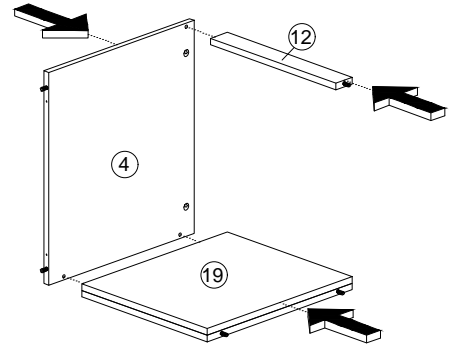
Assembly Instruction

Step 6

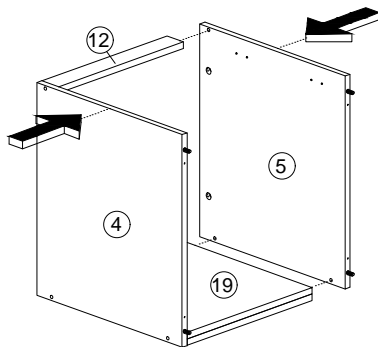
D  M4x45mm Screw 2Pcs



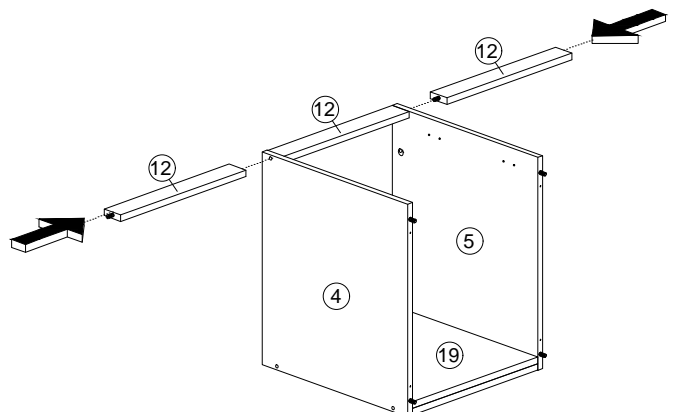
Step 7



Step 8




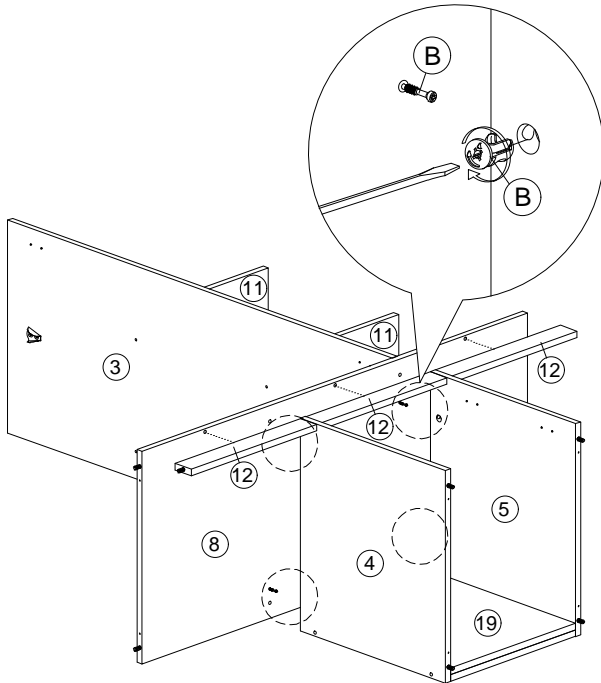
Step 9



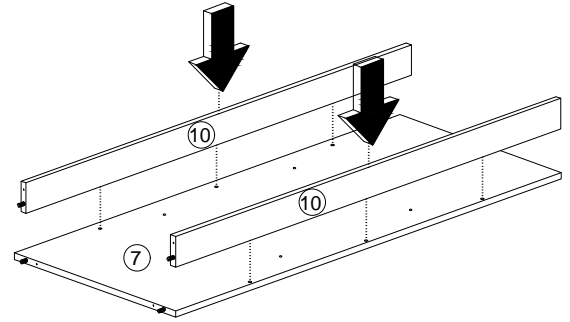
Assembly Instruction

Step 10


B		Minifix	4Pcs
---	---	---------	------

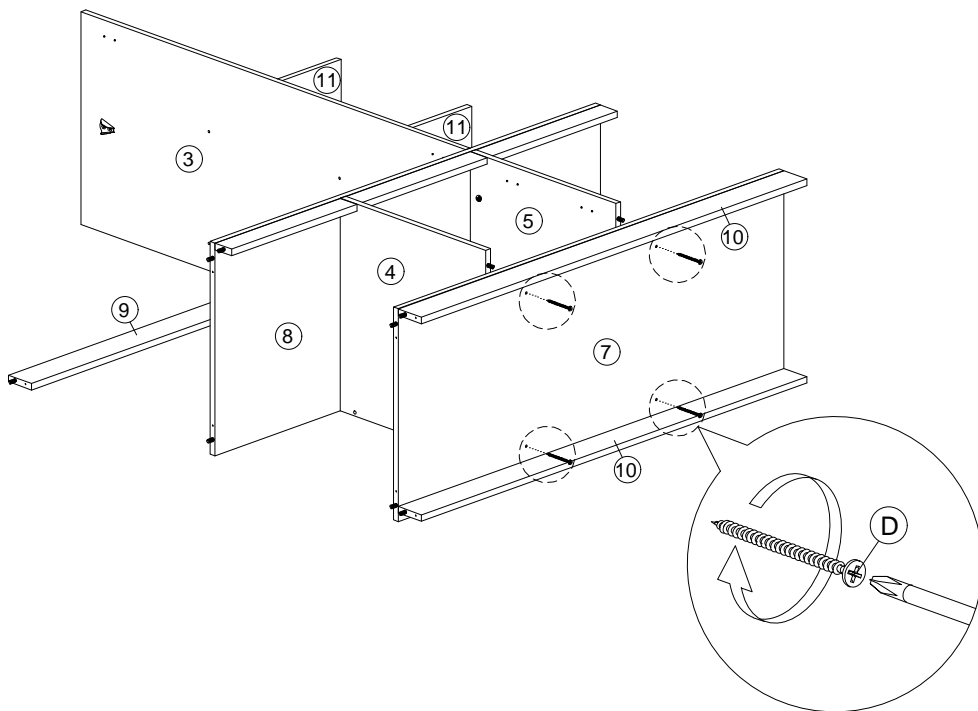


Step 11



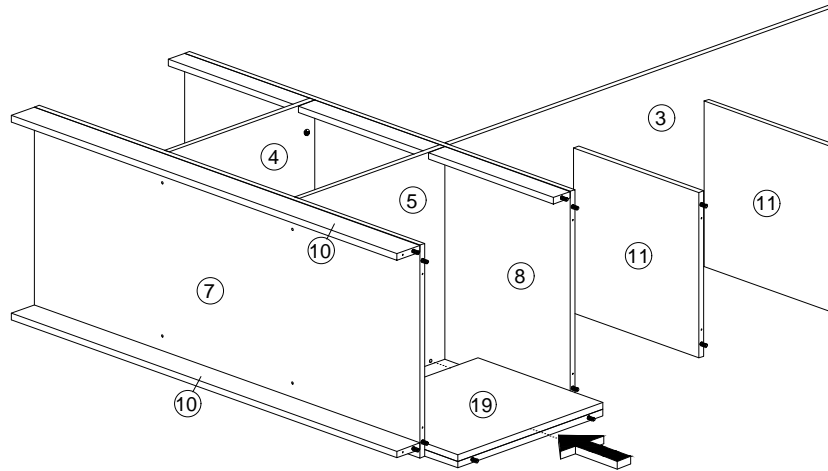
Step 12

D		M4x45mm Screw	4Pcs
---	---	---------------	------




Assembly Instruction

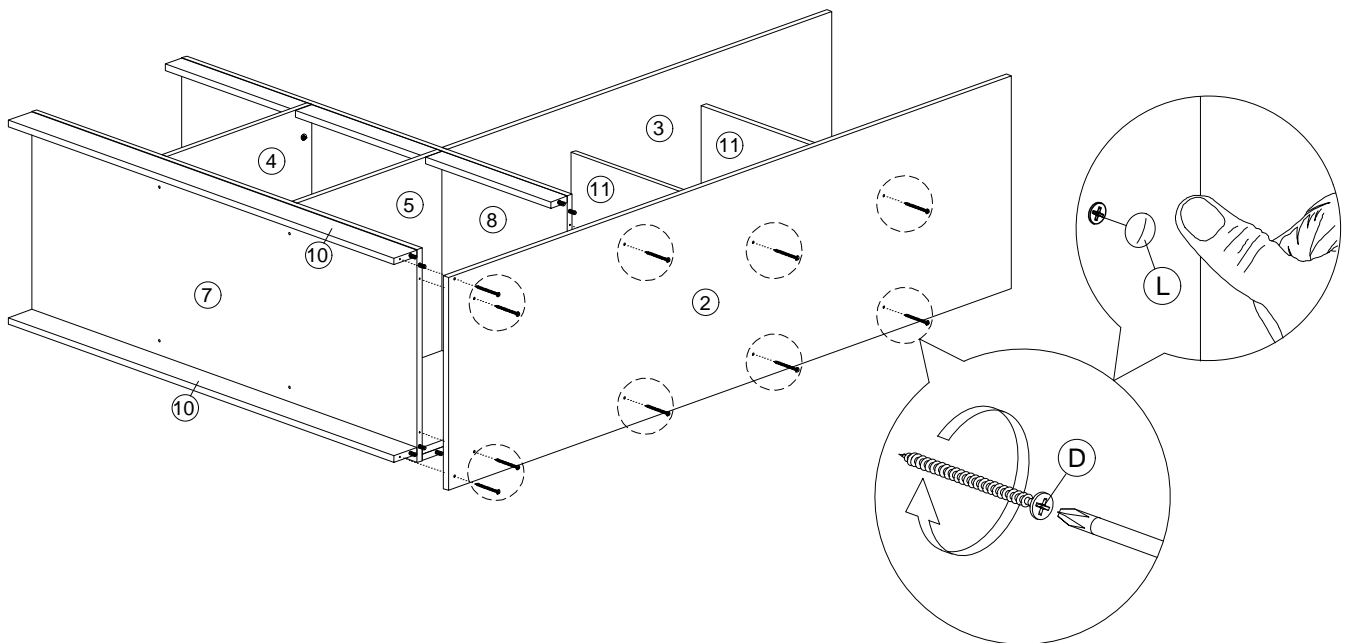
Step 13



Step 14

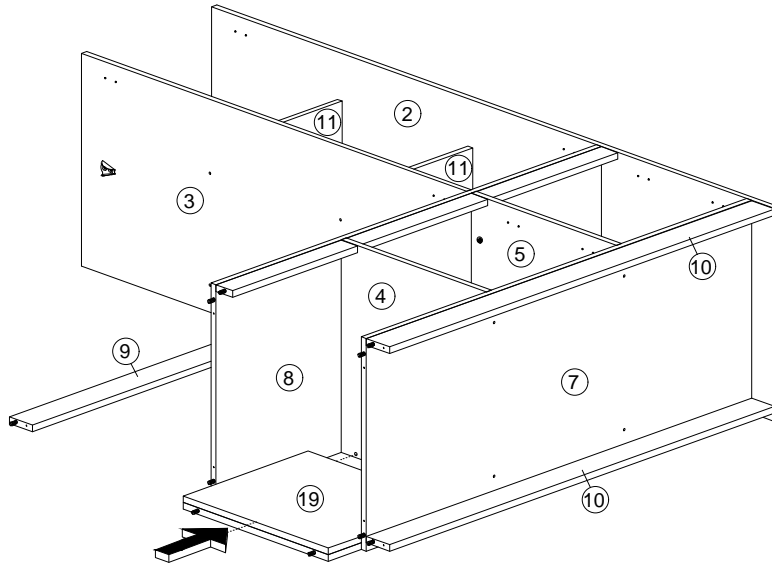
D  M4x45mm Screw 10Pcs

L  Sticker 10Pcs




Assembly Instruction

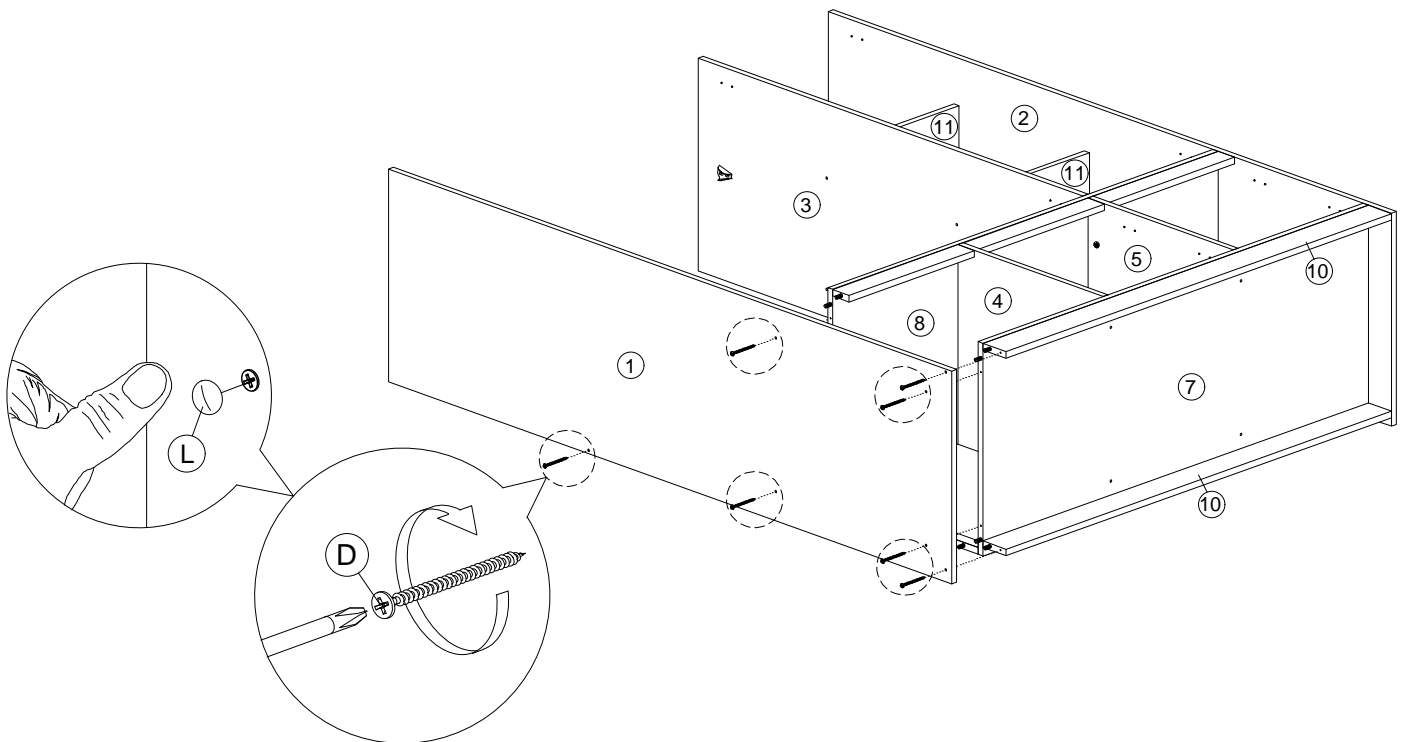
Step 15



Step 16


D  M4x45mm Screw 7Pcs

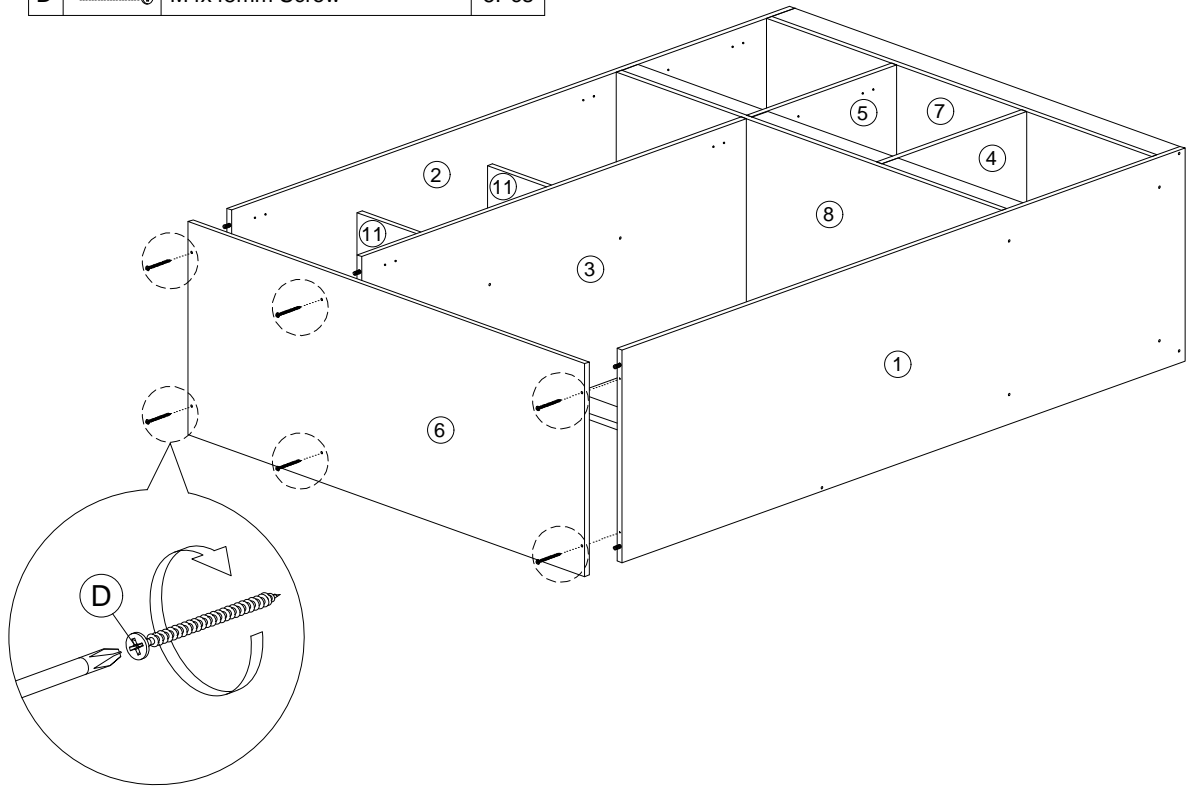
L  Sticker 7Pcs




Assembly Instruction

Step 17

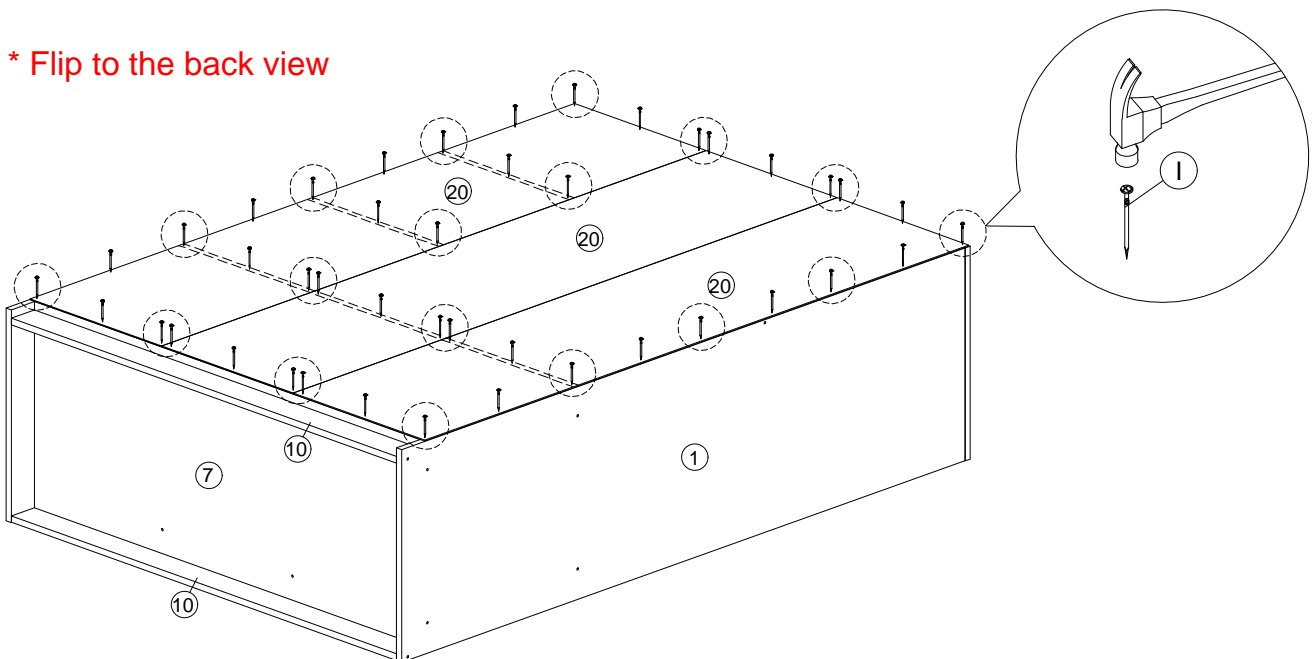
D		M4x45mm Screw	6Pcs
---	---	---------------	------



Step 18

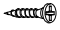
I		6/8 Power Pin	50Pcs
---	---	---------------	-------


* Flip to the back view

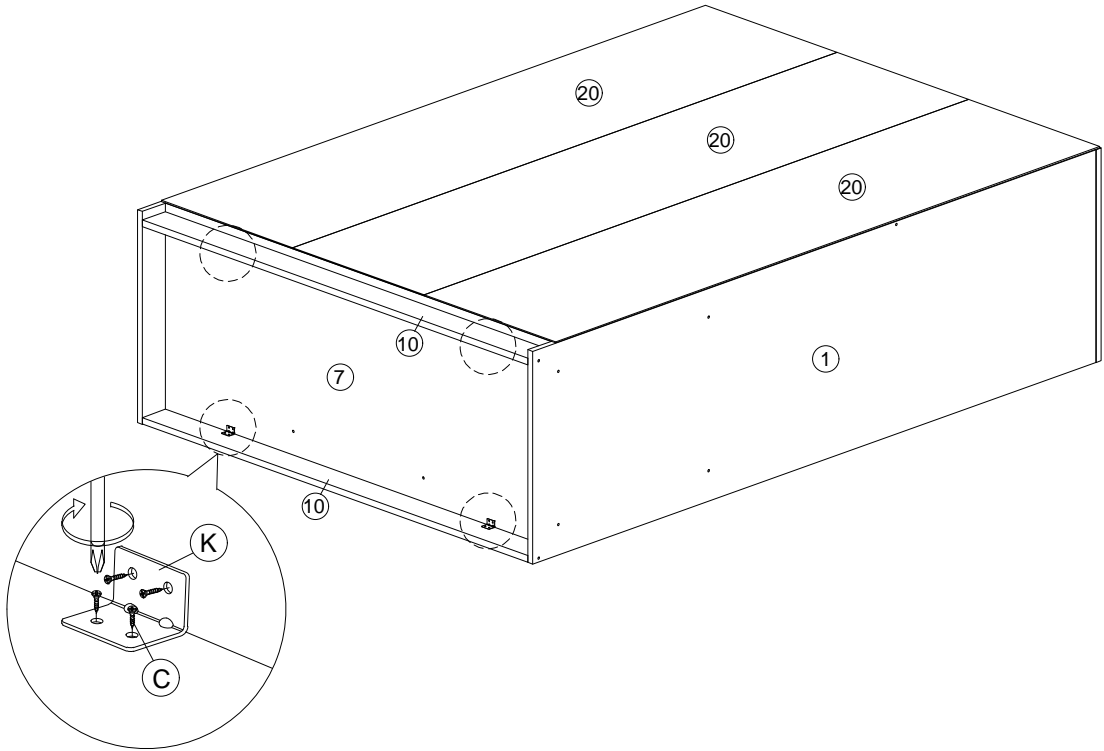


Assembly Instruction

Step 19

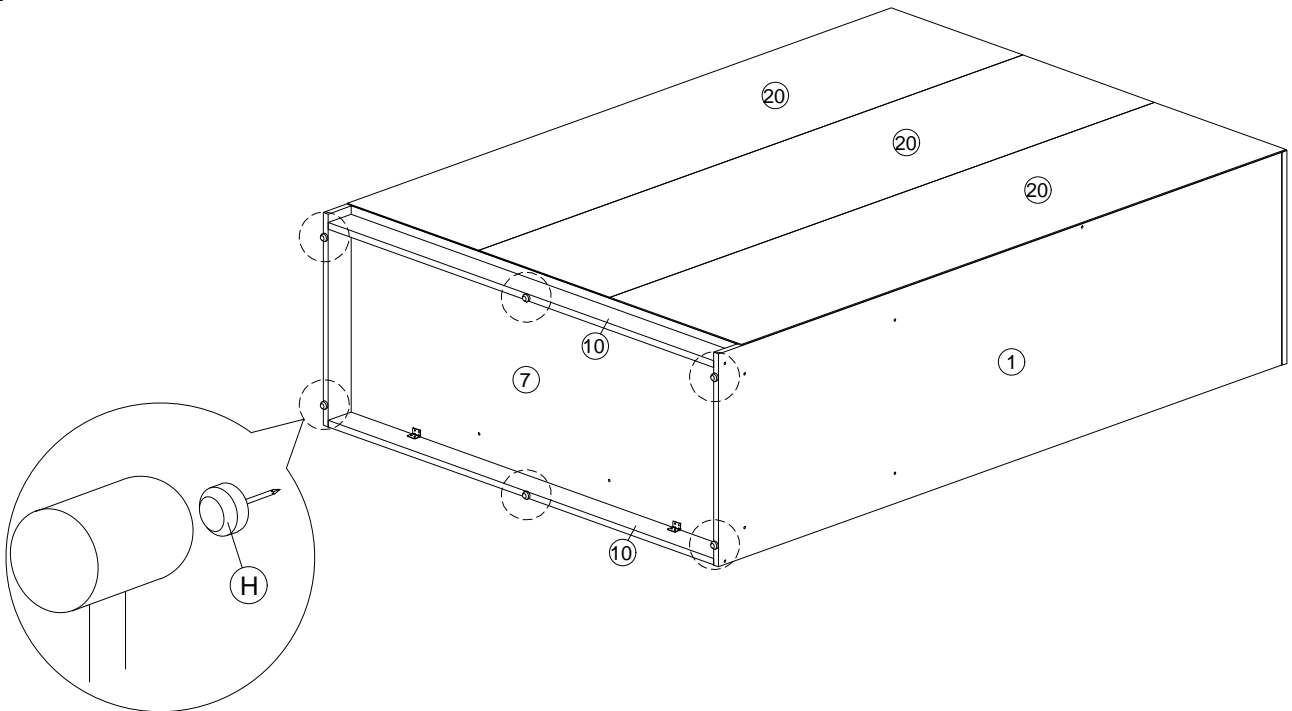
C  M3.5x16mm Screw 16Pcs

K  L Bracket 4Pcs



Step 20

H  5/8 Nail With Pin 6Pcs



Assembly Instruction

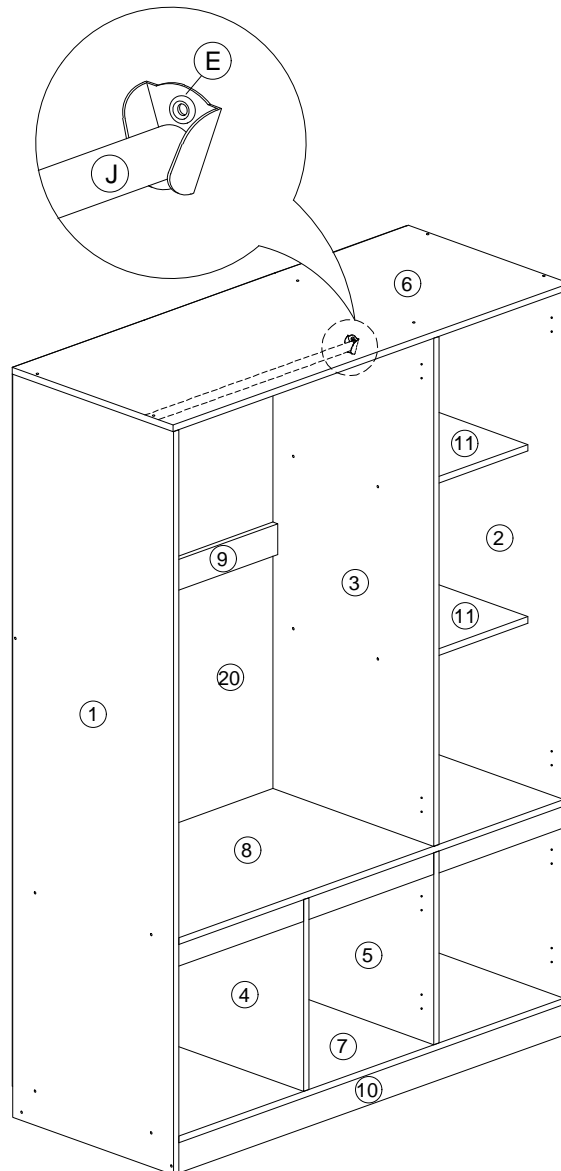
Step 21

J



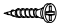
Aluminium Pipe 766mm


1Pc

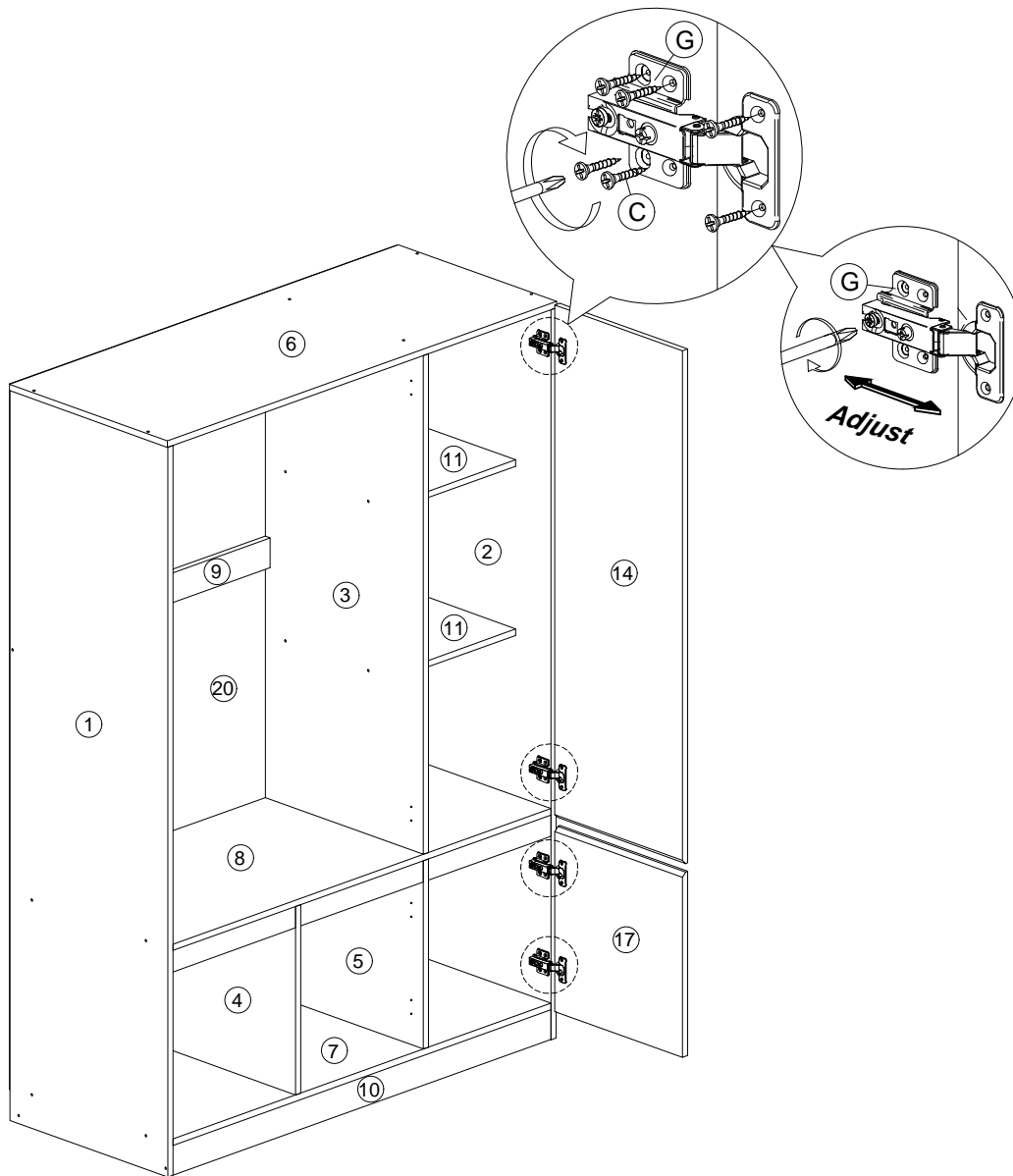


Assembly Instruction

Step 22

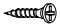
C		M3.5x16mm Screw	24Pcs
---	---	-----------------	-------

G		Hinges 5/8	4Pcs
---	---	------------	------

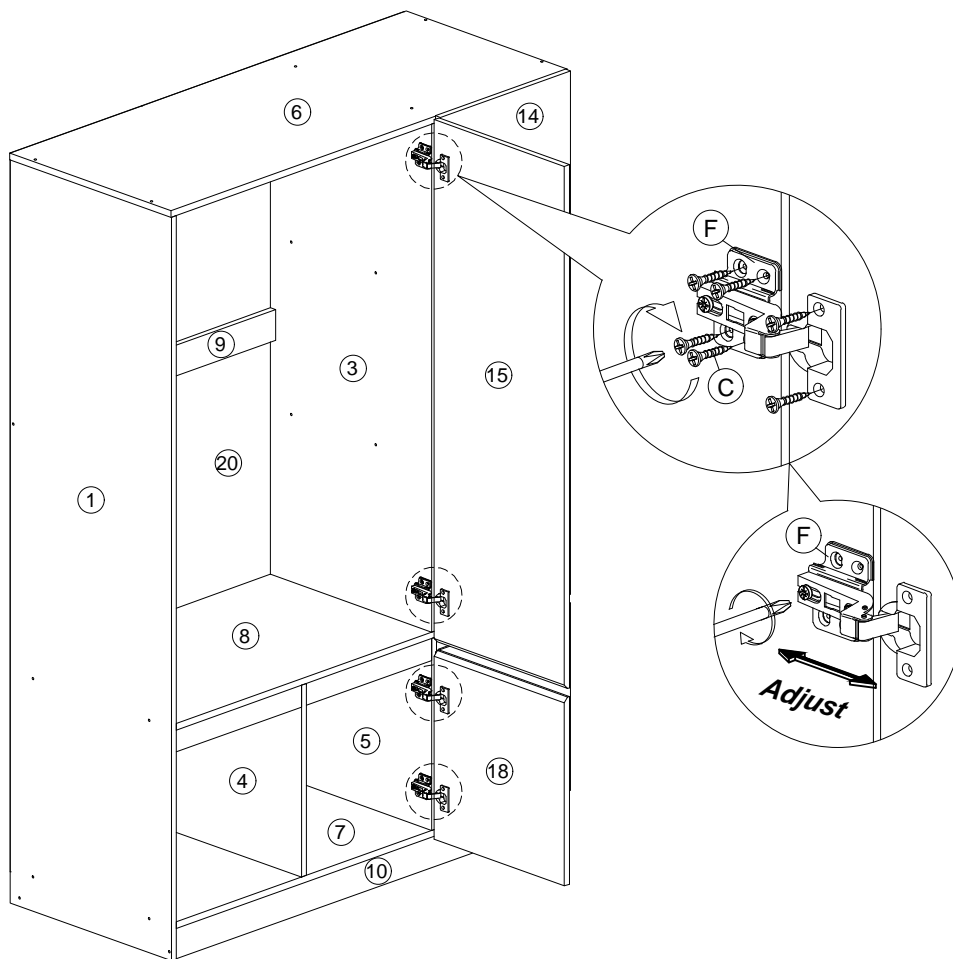


Assembly Instruction

Step 23

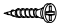
C		M3.5x16mm Screw	24Pcs
---	---	-----------------	-------


F		Hinges 2/8	4Pcs
---	---	------------	------

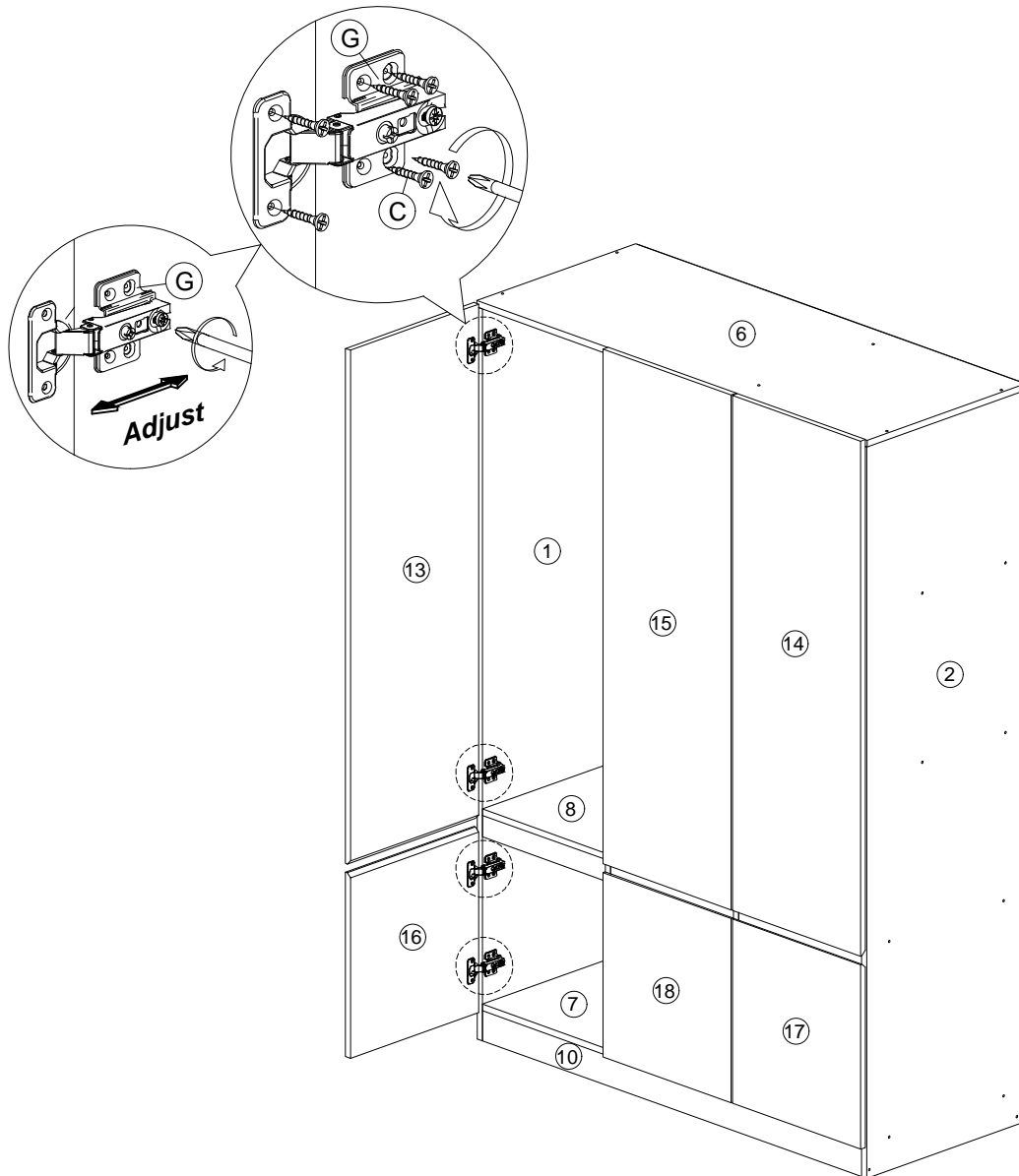


Assembly Instruction

Step 24

C  M3.5x16mm Screw 24Pcs

G  Hinges 5/8 4Pcs



FITTING OF ANTI-TIP SAFETY STRAP

STEP 1:

- Attach the mounting bracket (a) to the furniture in the solid part below the top panel a few inches away from the side of the unit.
- Screw (b) through the smallest hole of (a).

STEP 2:

- Locate a stud in behind the have to
- Place the other mounting bracket (a) on the wall stud 2 inches below the mounting bracket secured to the back of your unit.
- Attach to the wall stud using (c) through the smaller hole of (a).

STEP 3:

- Repeat the same step a few inches away from the other side of the unit.
- Place the furniture into position so both mounting brackets are vertically in line.
- Lace the end of the restraint strap through the larger holes in each mounting bracket.
- Secure the straps and lock into place.

