

FAQ

- **What if the screws are loose?**

Tighten with the appropriate tools and add thread adhesive if necessary.

- **What about structural rattling?**

Check whether the connection is deformed, contact after-sales service.

- **What about scratches on the surface?**

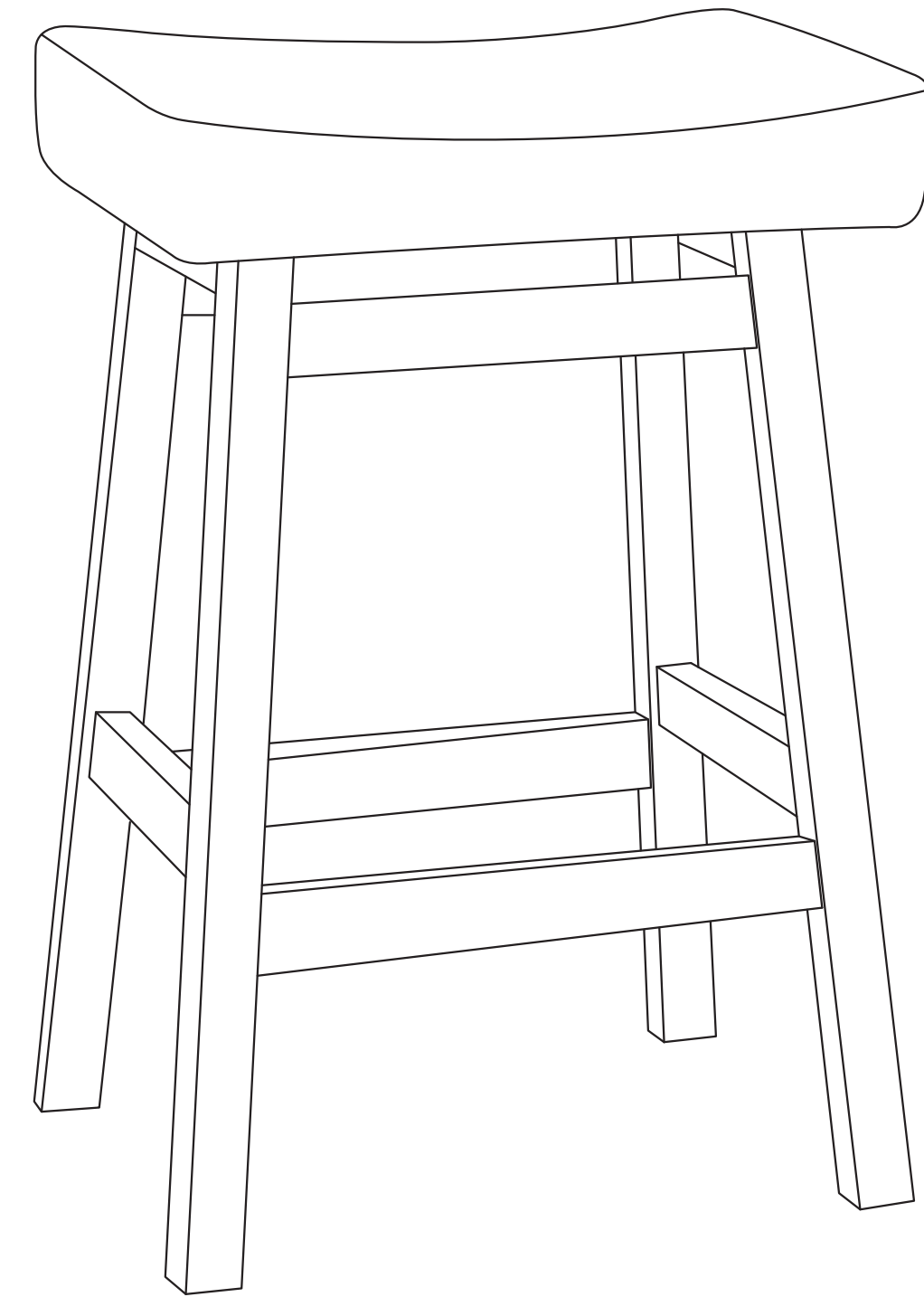
Minor scratches can be repaired with touch-up cream, but serious scratches require professional treatment.

CONTACT

Email: US-SaleService@outlook.com



Please keep this manual and proof of purchase to enjoy the after-sales service!













Counter Height Bar Stools

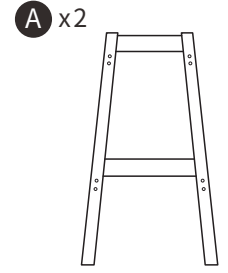
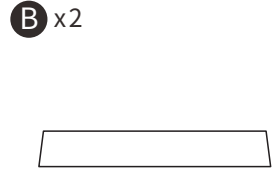
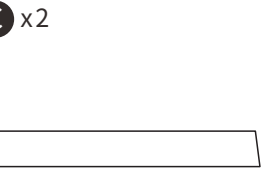
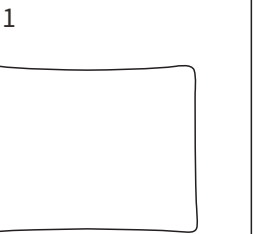
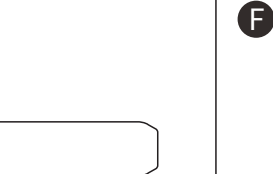
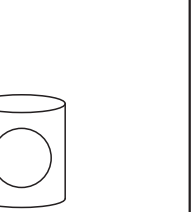
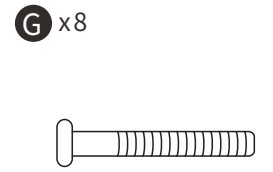
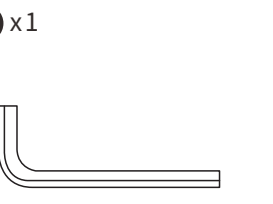
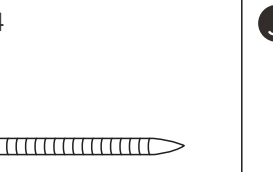
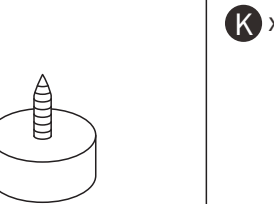
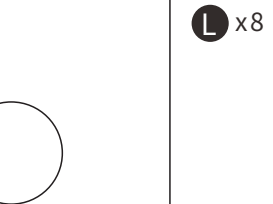

BS-301

Package: barstools*2, tool kits*2, manual*1

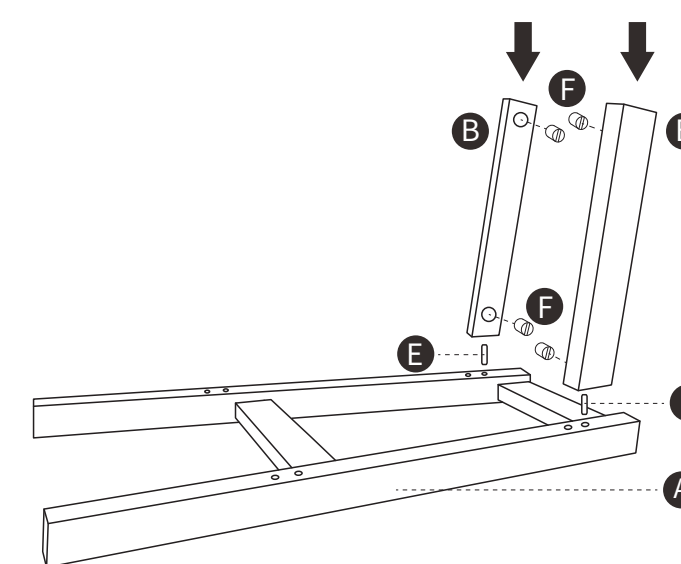
USAGE PRECAUTIONS

	Ensure that all screws and connectors are fastened during installation, and check the looseness regularly.
	Confirm the maximum load capacity of the dining table and chairs before use to avoid overweight leading to structural deformation or damage.
	Barstools need to be placed smoothly, the ground is not flat can be adjusted foot pads or the use of non-slip pads.
	Don't tilt the back of the chair too much or hang heavy objects to prevent tipping.
	Pay attention to the obstacles on the ground when the dining chair is moving to avoid impact.
	Children need adult care when using, to avoid accidental falls or collision, sharp corners can be added to the crash bar, to reduce the bump injury.
	Prohibit children under 6 years old from contacting the screw nut toolkit to prevent swallowing.
	Regularly wipe the surface with a soft cloth to remove dust, stubborn stains can be diluted with a neutral detergent and gently wipe, avoid the use of acidic, alkaline or corrosive detergents.
	Use wood wax oil once every six months to maintain the luster.
	Keep away from high-temperature sources (such as heating, open fire) and direct sunlight to prevent wood furniture from cracking or discoloration of paint.

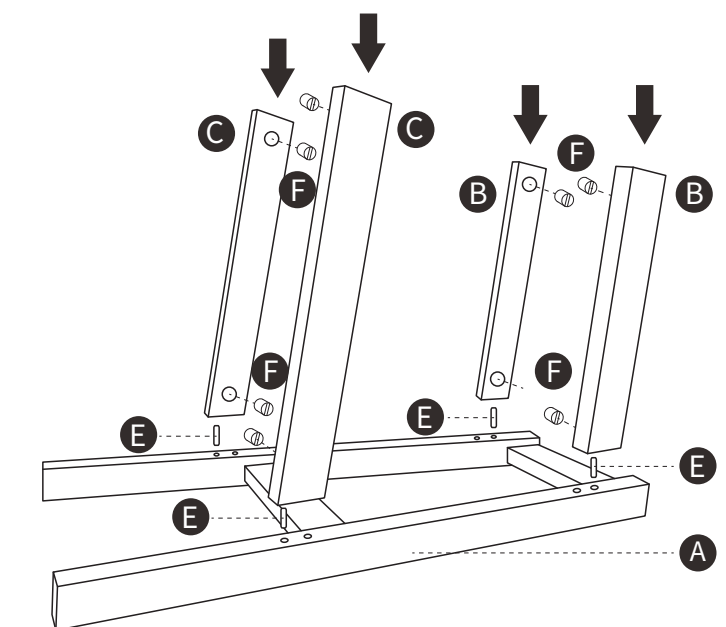
INSTALLATION STEPS

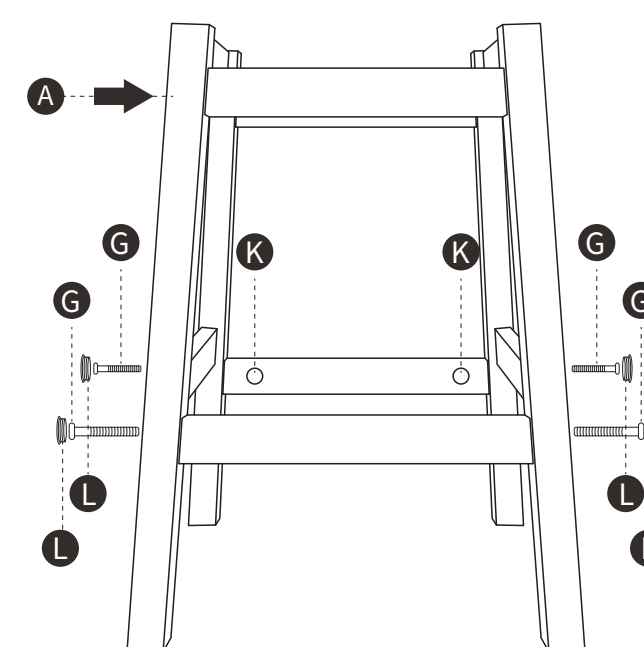
Step 1



Step 2



Step 3



Step 4

