

## ASSEMBLY INSTRUCTIONS

### 5' BED

**IMPORTANT : READ THESE INSTRUCTIONS CAREFULLY BEFORE ASSEMBLING OR USING YOUR 5' BED FRAME**

PLEASE KEEP THESE INSTRUCTIONS FOR FUTURE REFERENCE.

#### **HEALTH & SAFETY:**

DO NOT jump on this bed frame.

DO NOT use this bed frame if any parts are missing, damaged or worn.

DO NOT use this bed frame unless all fixings are secured.

Please keep small parts out of reach of children.

Always use on a level, even surface.

**WARNING :** If this bed is placed on a non- carpeted floor you must place some protection under all legs to stop the bed frame from moving. if this is not adhered to there is no guarantee if the bed frame collapses.

#### **CARE & MAINTENANCE:**

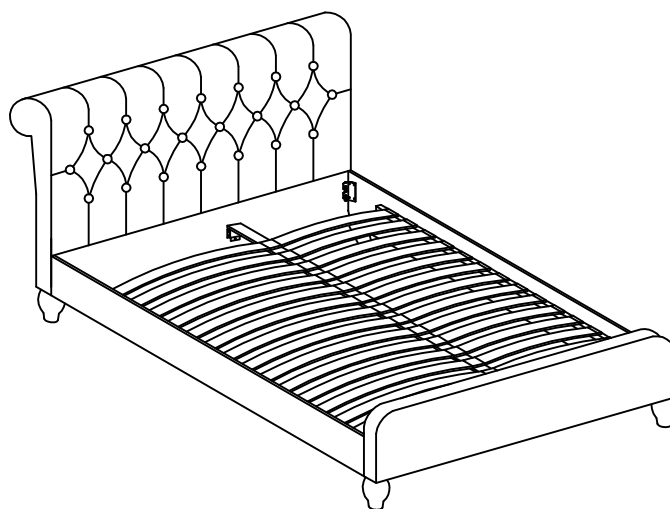
Assembly in the room use.

Periodically check all screw & fixings to ensure they are secure.

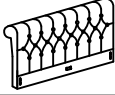





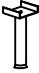
DO NOT push the bed frame as this will damage the legs.

Always lift the bed with two people to reposition.

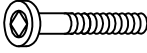
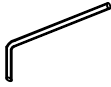
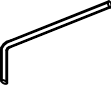
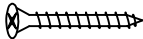


Keep any sharp objects away from the frame.



## Parts List

Parts	Description	Box	Qty
1	Headend 	1	1
2	Footend 	2	1
3	Side Rail 	3	2
4	Legs 	2	4
5	Slat 	2	28
6	Centre Rail 	3	1
7	Support Leg 	2	2

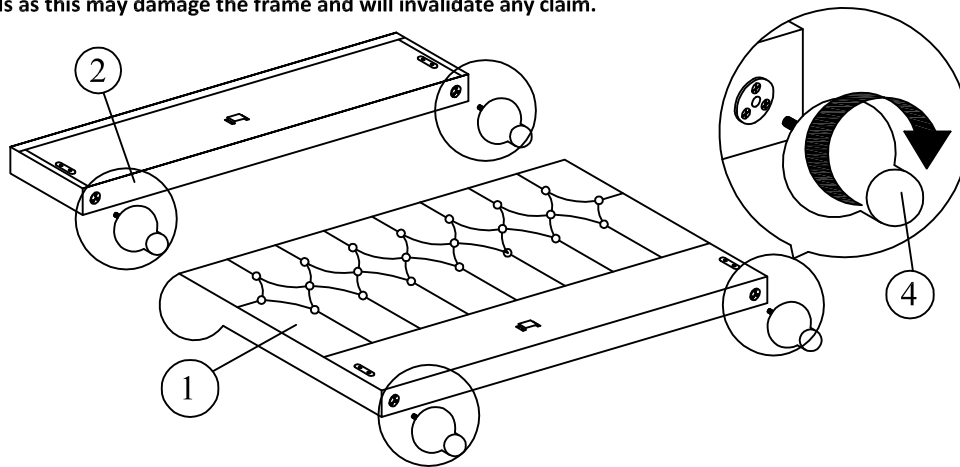
## Hardware List ( Found in box 2)

Parts	Description	Box	Qty
A	M6 x 40 mm JCBC 	2	2
B	Allen Key M4 x 65 mm 	2	1
C	Allen Key M5 x 70 mm 	2	1
D	M4 x 25 mm CSK 	2	2
E	Double Slat Cap 	2	14
F	Single Slat Cap 	2	28

\*You will need a screwdriver (not provided)

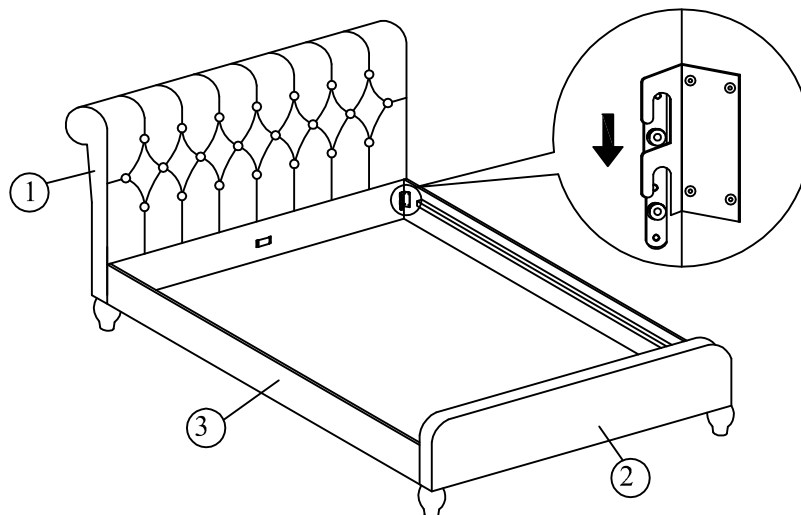
Step 1: Attach the legs (4) to the headend (1) and footend (2).

**DO NOT use any power tools as this may damage the frame and will invalidate any claim.**



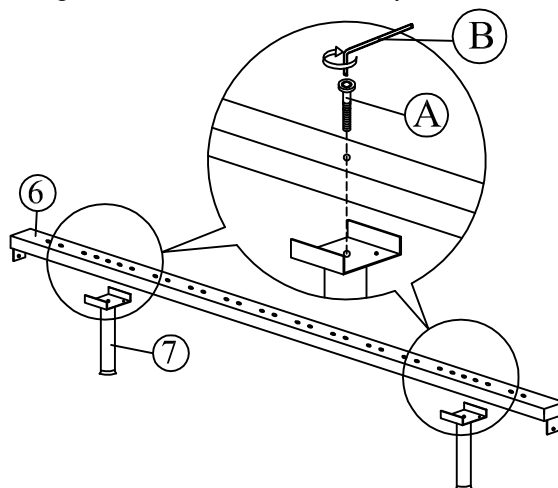
Step 2: Attach the side rails (3) by pushing the brackets down into place as shown.

**DO NOT use any power tools as this may damage the frame and will invalidate any claim.**

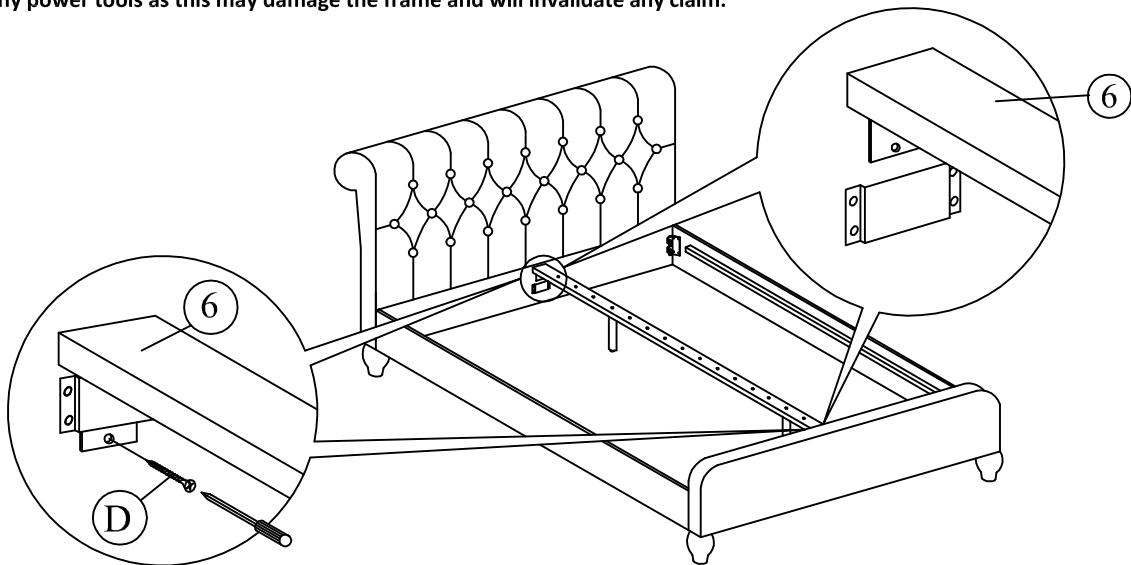


Step 3: Attach the support legs (7) to the centre rail (6) using hardware parts A and B.

**DO NOT use any power tools as this may damage the frame and will invalidate any claim.**



Step 4: Insert the centre rail (6) to the headboard (1) and footboard (2) and secure using hardware part D and a screwdriver (not provided).  
**DO NOT use any power tools as this may damage the frame and will invalidate any claim.**



Step 5: Attach the slats (5) using hardware parts E and F then secure the bolts using hardware part C.  
**DO NOT use any power tools as this may damage the frame and will invalidate any claim.**

