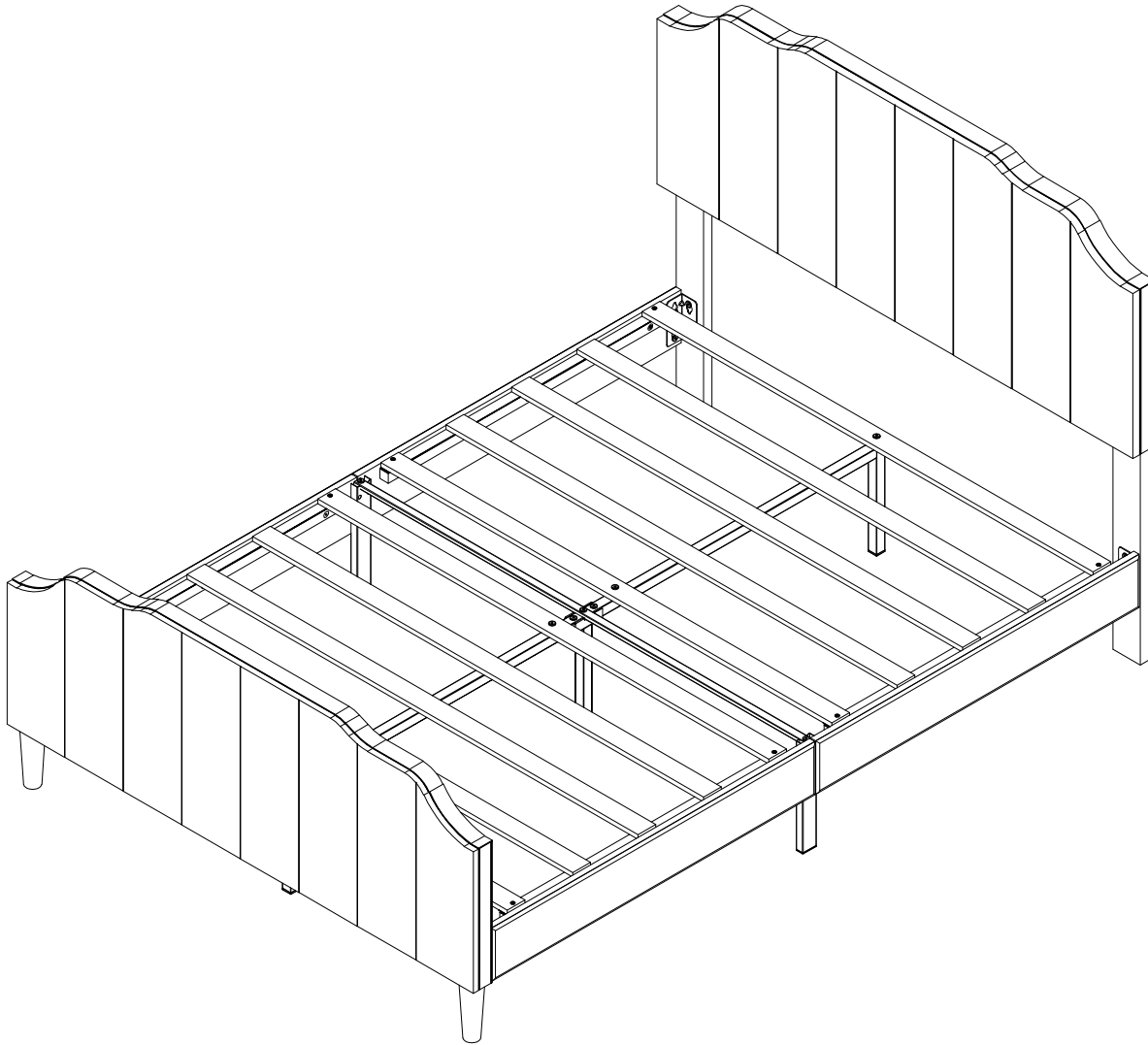


Upholstered bed N652P215007/N652P215009

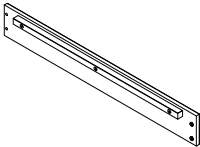
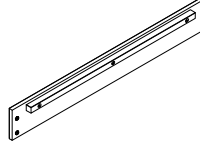

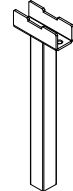
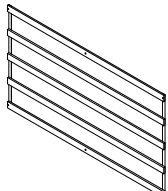

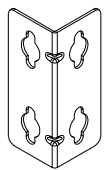
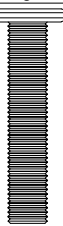
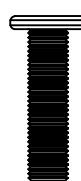


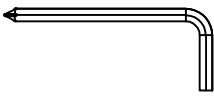


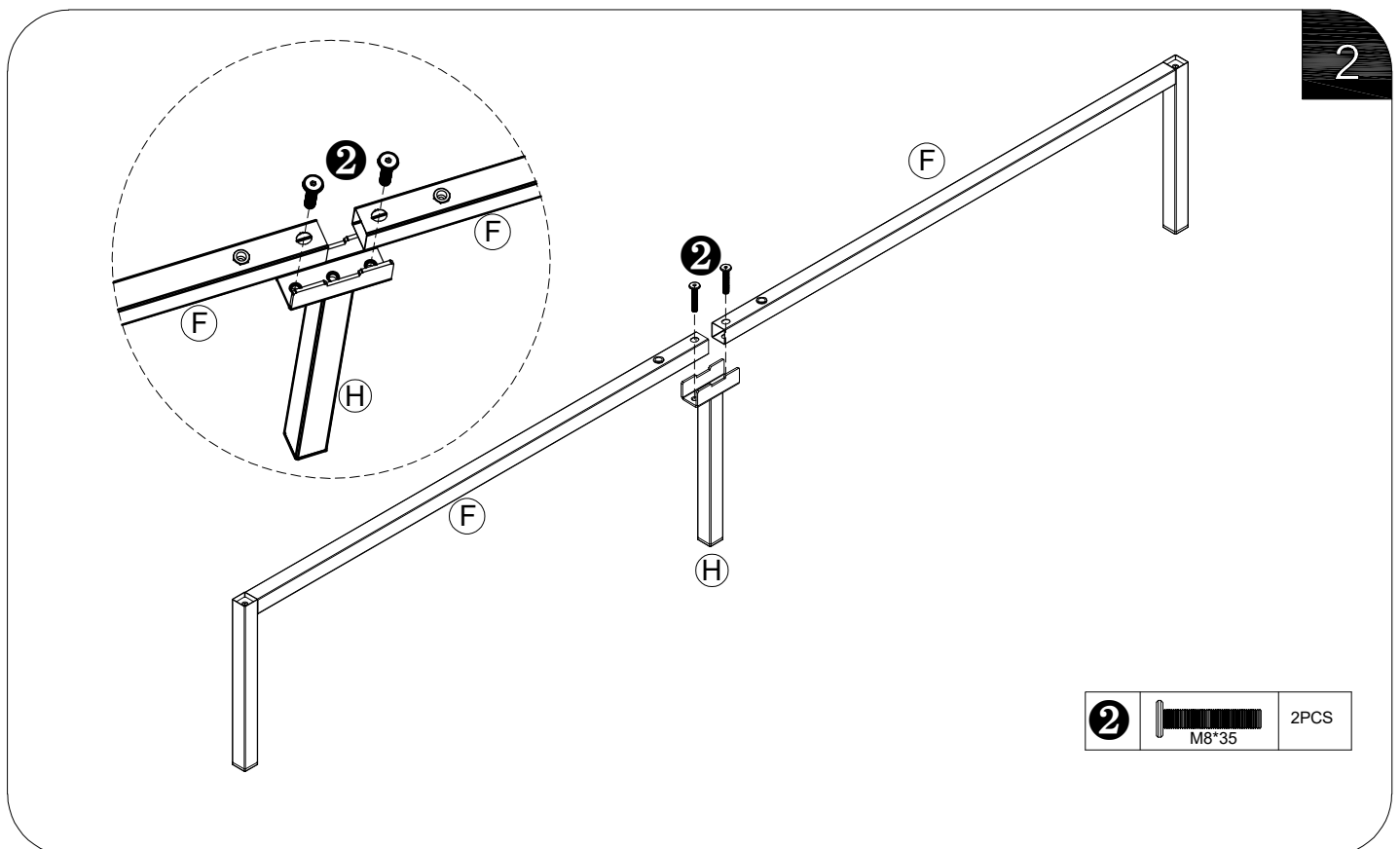
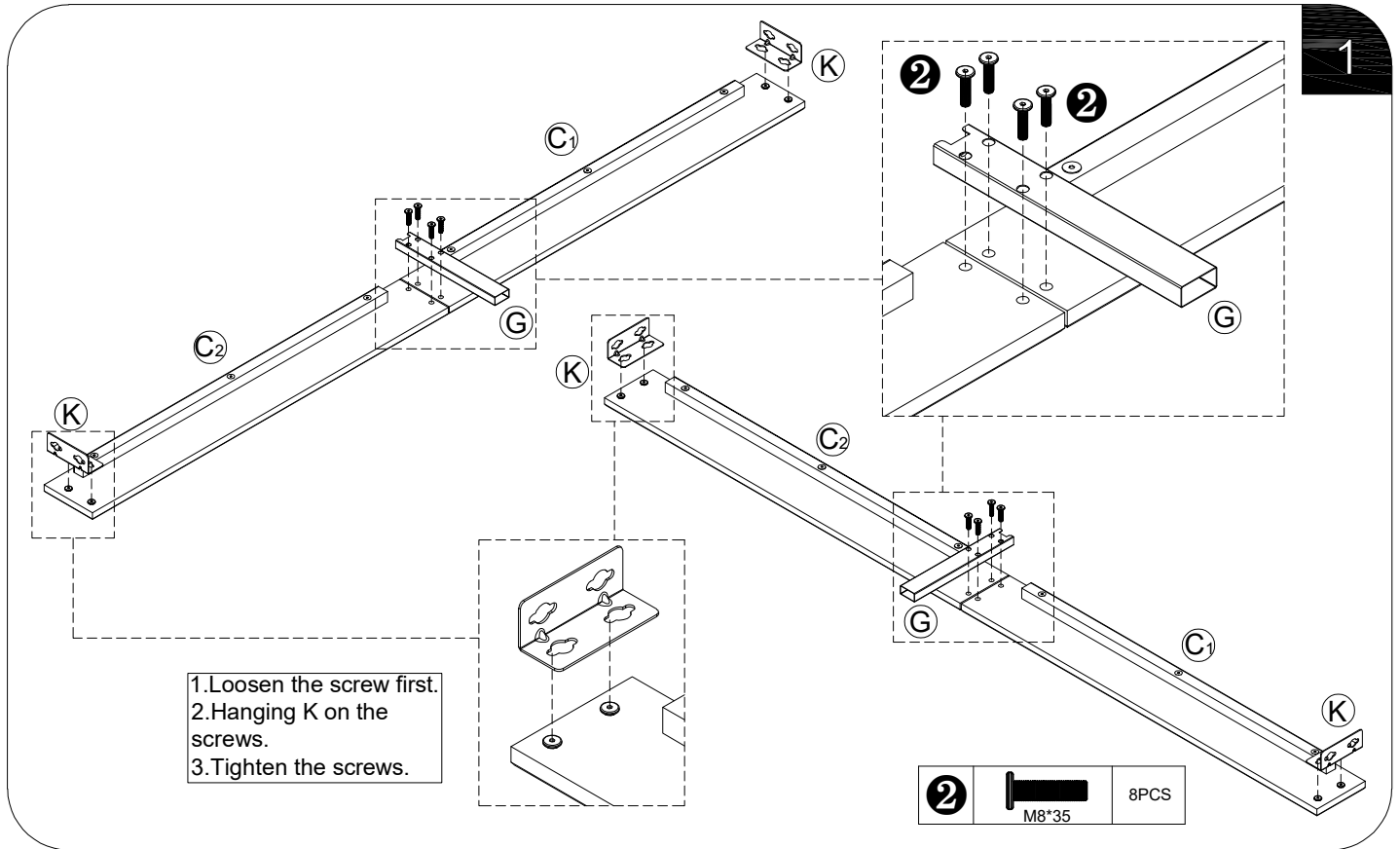
TIPS

1. Please read the instructions fully before assembly. These instructions include important information which could ensure correct assembly. We have been working on providing high quality products for you. However, in the rare instance that your product is defective, missing parts or there are some issues, please don't hesitate to contact our customer service to submit parts requirements, assembly suggestion, or warranty claims, and we will give the best solution as soon as possible. If necessary, we need you to provide some more clear pictures of the issue.
2. Insert the screws in holes and tighten the screws, but not too tight, 70%~80% is ok, finally tighten all the screws. If some issues happened that some screws can not target to the hole or some parts are difficult to install, please adjust the tightness of the screws.

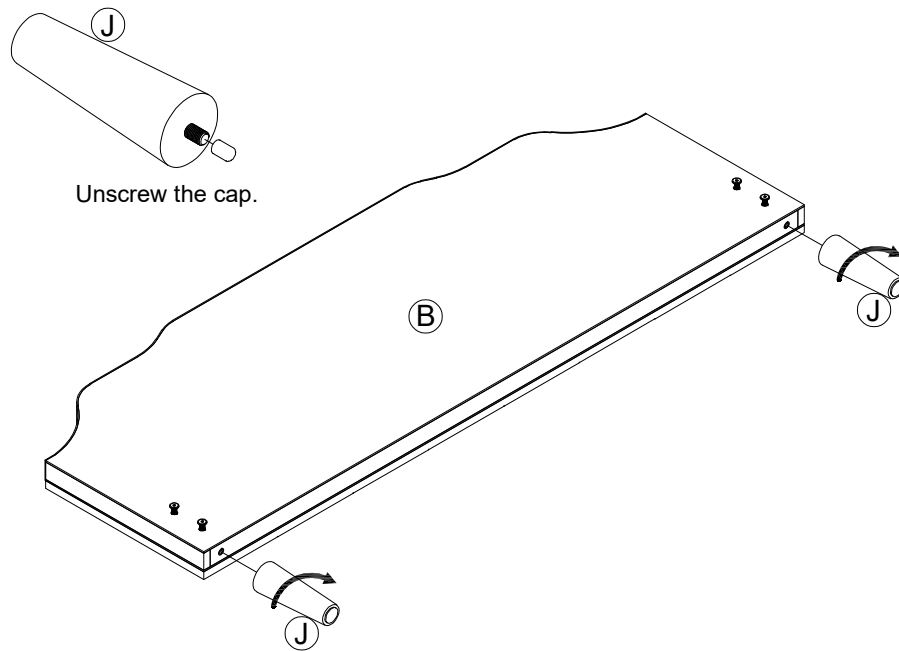
Part List N652P215009

2/2

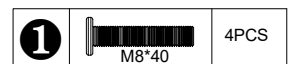
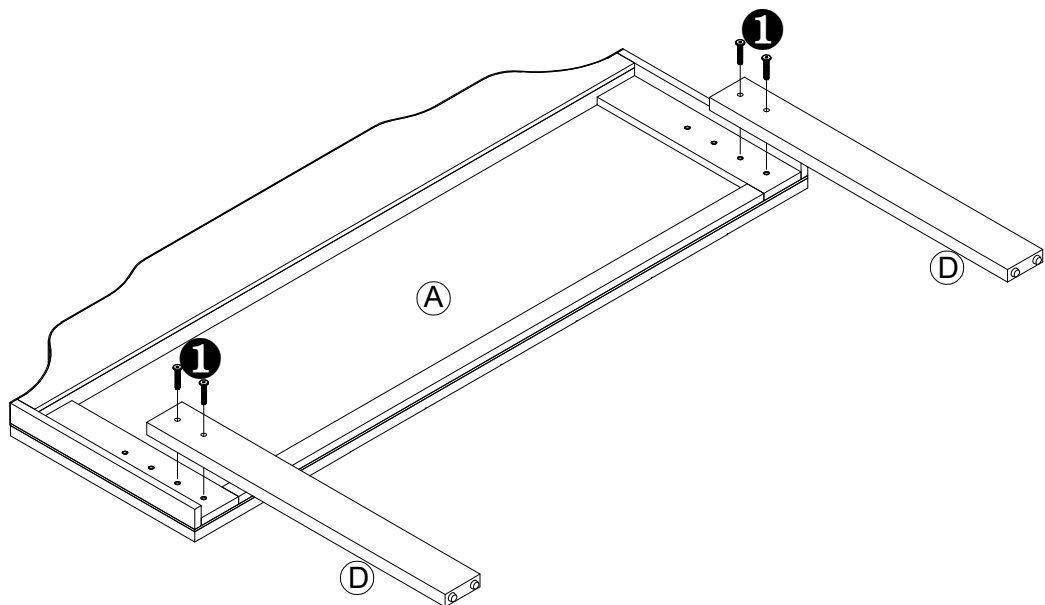
<p>C₁</p>  <p>Side rails 2PCS</p>	<p>C₂</p>  <p>Side rails 2PCS</p>	<p>G</p>  <p>Side rail support legs 2PCS</p>	<p>H</p>  <p>Connected support leg 1PC</p>	<p>I</p>  <p>Slats 2PCS</p>
<p>J</p>  <p>Leg 2PCS</p>	<p>K</p>  <p>Bracket 4PCS</p>	<p>1</p>  <p>Bolts M8*40 5PCS</p>	<p>2</p>  <p>Bolts M8*35 14PCS</p>	<p>3</p>  <p>Nails M5*35 8PCS</p>
<p>4</p>  <p>Bolts M8*18 2PCS</p>	<p>5</p>  <p>Allen Key 4*80 1PC</p>			



3

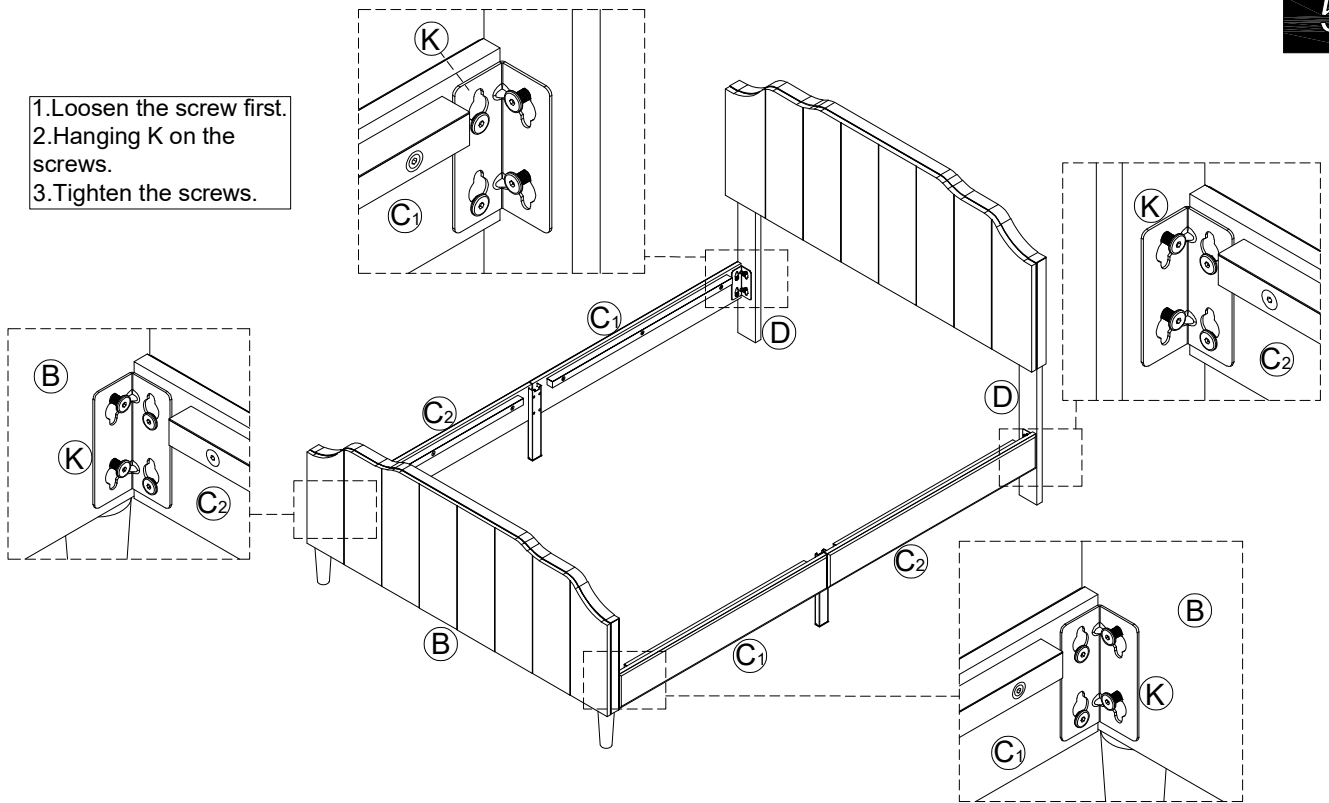


4

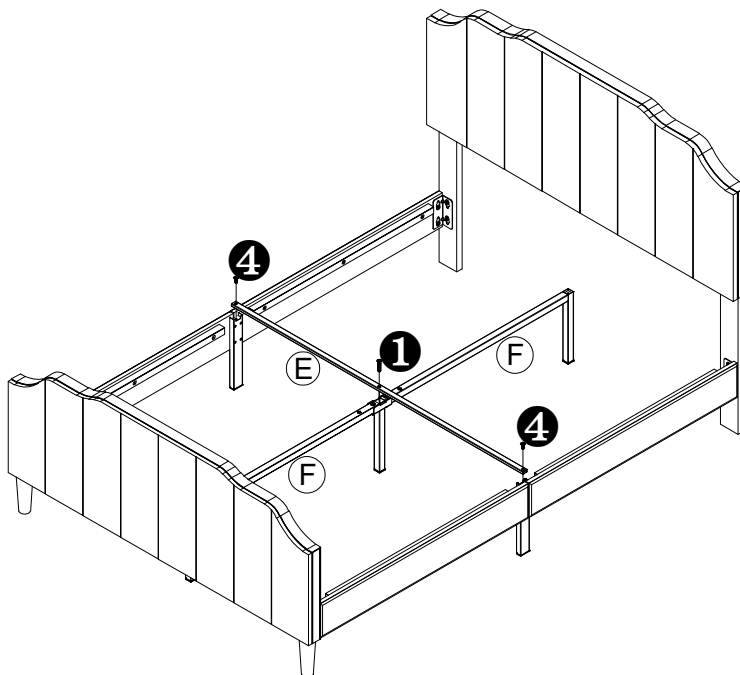


5

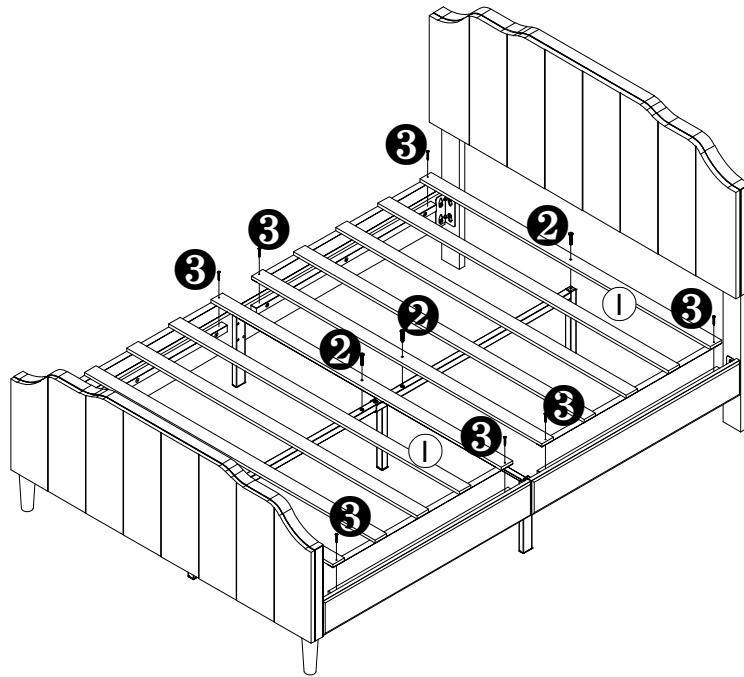
1. Loosen the screw first.
2. Hanging K on the screws.
3. Tighten the screws.

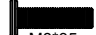



6



1	 M8*40	1PC
4	 M8*18	2PCS



2		4PCS
3		8PCS

Finish

