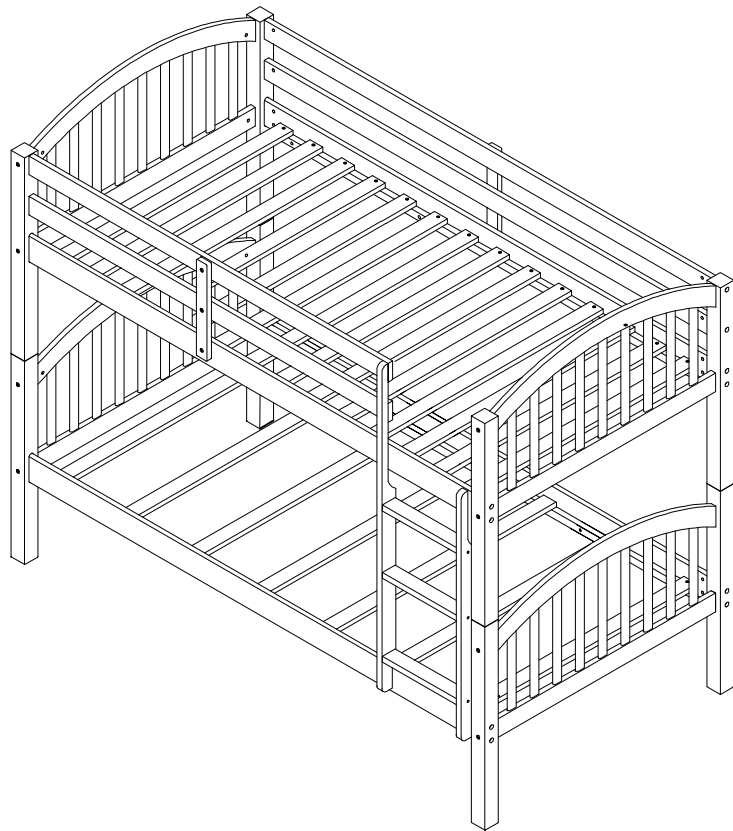


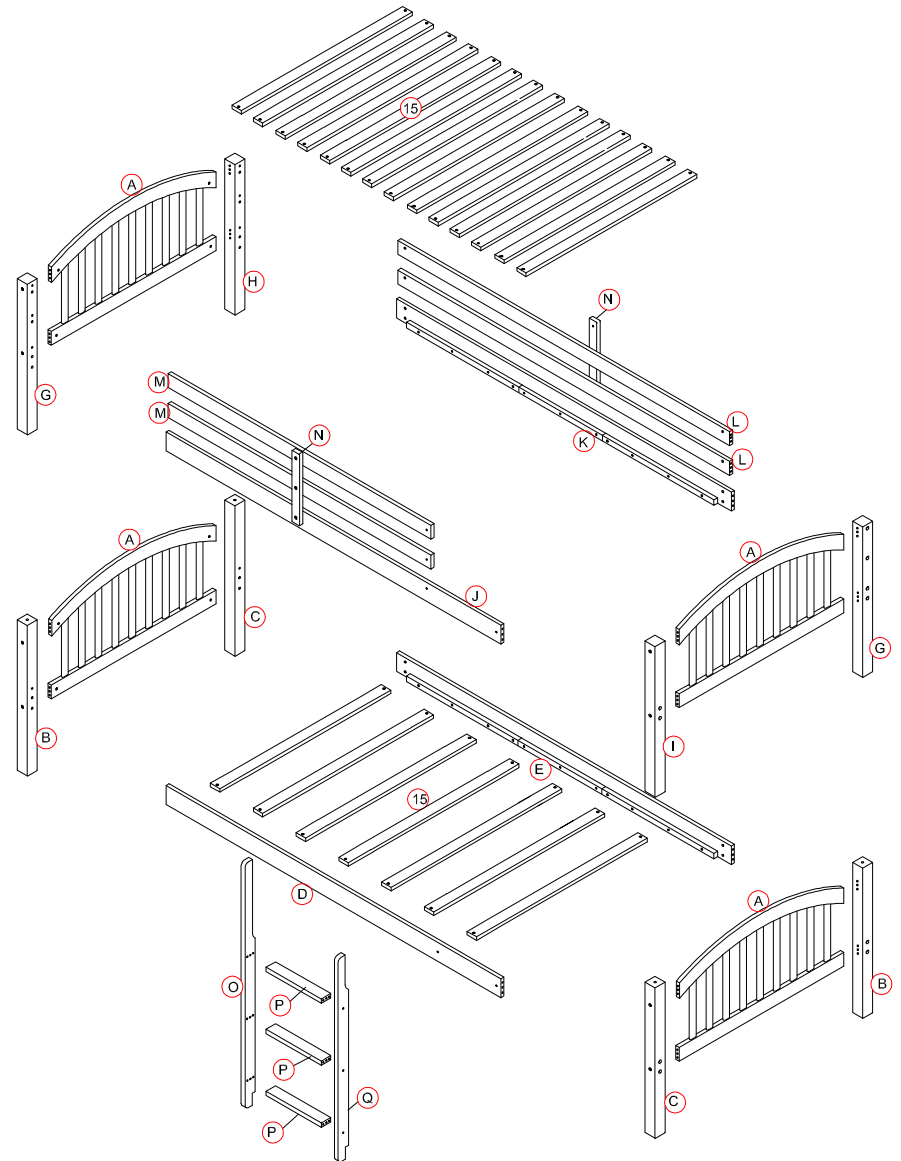
# ASSEMBLY INSTRUCTIONS

## TWIN SIZE BUNK BED





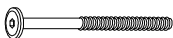






1

### Detail View

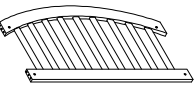

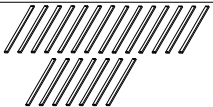


2

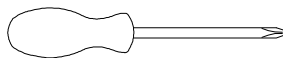
## Hardware List

<b>1</b>  (1/4")4.5*58mm Allen key (1pc)	<b>2</b>  Wood dowel (64pcs)	<b>3</b>  Ø6**100mm Hex-Head bolts (22pcs)
<b>4</b>  Ø6**50mm Bolts screw (12pcs)	<b>5</b>  Ø6**30mm Bolts screw (6pcs)	<b>6</b>  Ø4*30mm Wood screws (42pcs)
<b>7</b>  1/4**15 (9.5mm) Horizontal-Hole bolts(22pcs)	<b>8</b>  Ø9*90mm Metal connector (4pcs)	<b>9</b>  Ø6**100mm Bolts screw (16pcs)

## Part List:


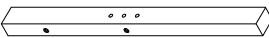
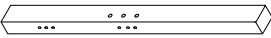

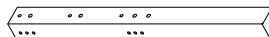









<b>A</b>  Frame HB&FB - 4pcs	<b>G</b>  Leg HB (Top) - 2pcs	<b>15</b>  Slats - (21pcs)
---	--	--

ASSEMBLY TOOLS REQUIRED ( NOT INCLUDED )





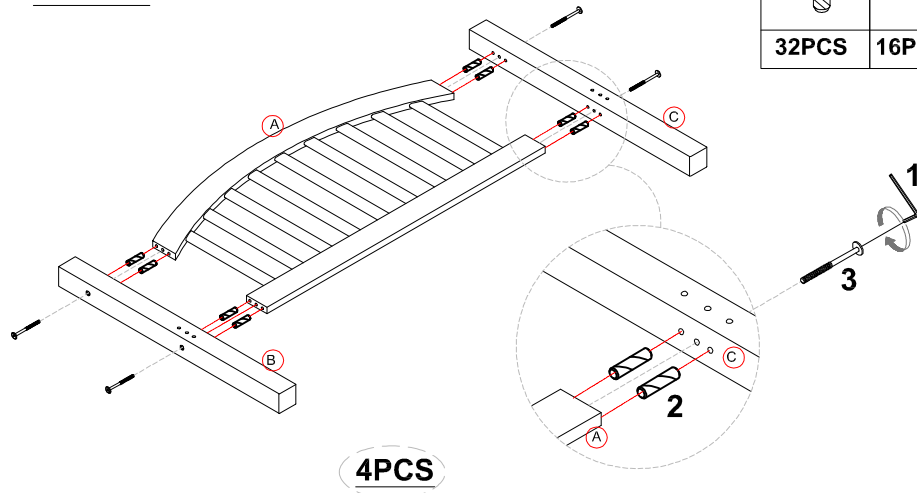
PLEASE BE CAREFUL DO NOT DAMAGE THE HOLE POSITION WHEN YOU USE POWER TOOLS !

## Part List:

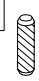
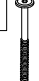

<b>D</b>  Side rail(lower)-1pcs	<b>B</b>  Leg HB (Bottom) - 2pcs	<b>C</b>  Leg HB (Bottom) - 2pcs
<b>E</b>  Side rail(lower)-1pcs	<b>H</b>  Leg HB (Top) - 1pc	<b>I</b>  Leg HB (Top) - 1pc
<b>J</b>  Side rail(upper front)-1pc	<b>K</b>  Side rail(upper back)-1pc	<b>L</b>  guard rail(longer) - 2pcs
<b>M</b>  guard rail(shorter) - 2pcs	<b>N</b>  Vertical guard rail - 2pcs	<b>O</b>  Ladder side rail (left)-1pc
<b>P</b>  Ladder Step - 3pcs	<b>Q</b>  Ladder side rail (right)-1pc	

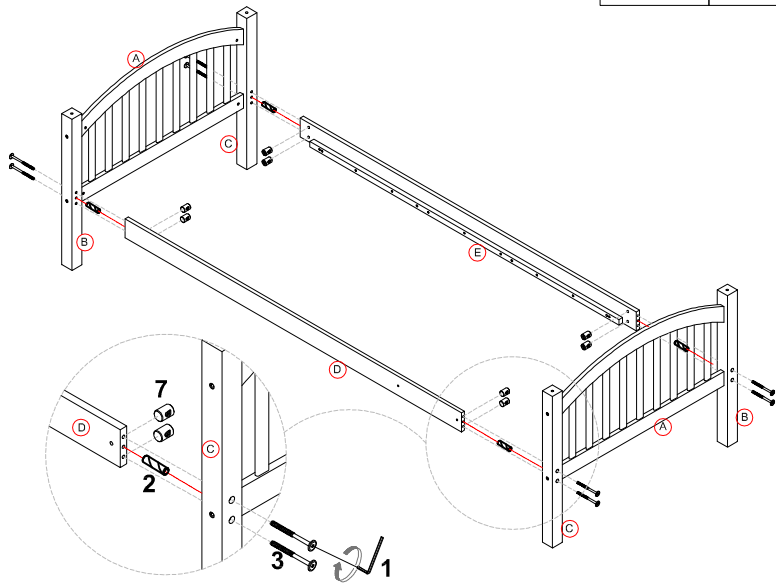
**STEP 1:**

<b>2</b>		<b>9</b>	
<b>32PCS</b>		<b>16PCS</b>	






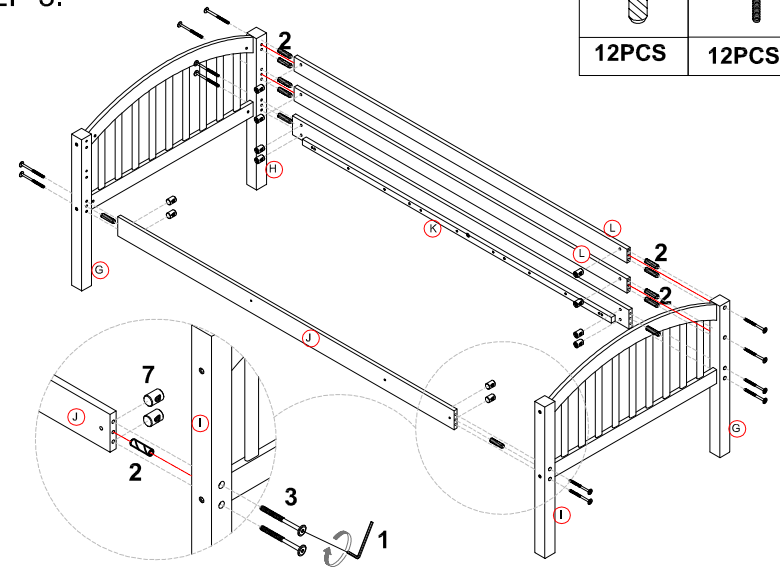
**STEP 2:**

<b>2</b>		<b>3</b>		<b>7</b>	
<b>4PCS</b>		<b>8PCS</b>		<b>8PCS</b>	





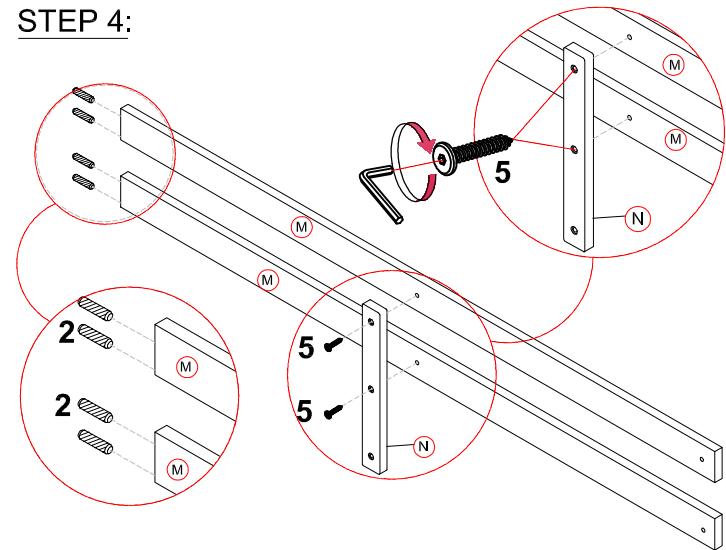
**STEP 3:**

<b>2</b>		<b>3</b>		<b>7</b>	
<b>12PCS</b>		<b>12PCS</b>		<b>12PCS</b>	

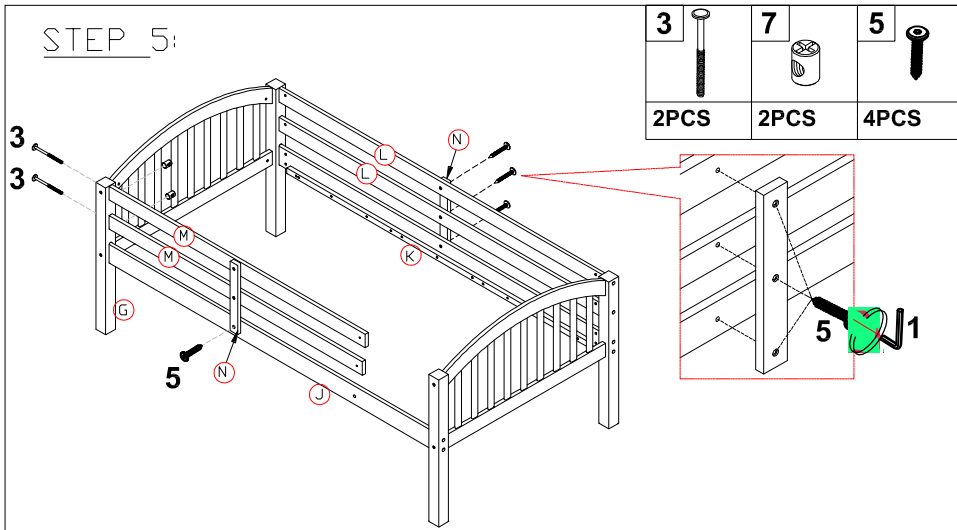


**STEP 4:**

<b>2</b>	
<b>4PCS</b>	
<b>5</b>	
<b>2PCS</b>	



STEP 5:

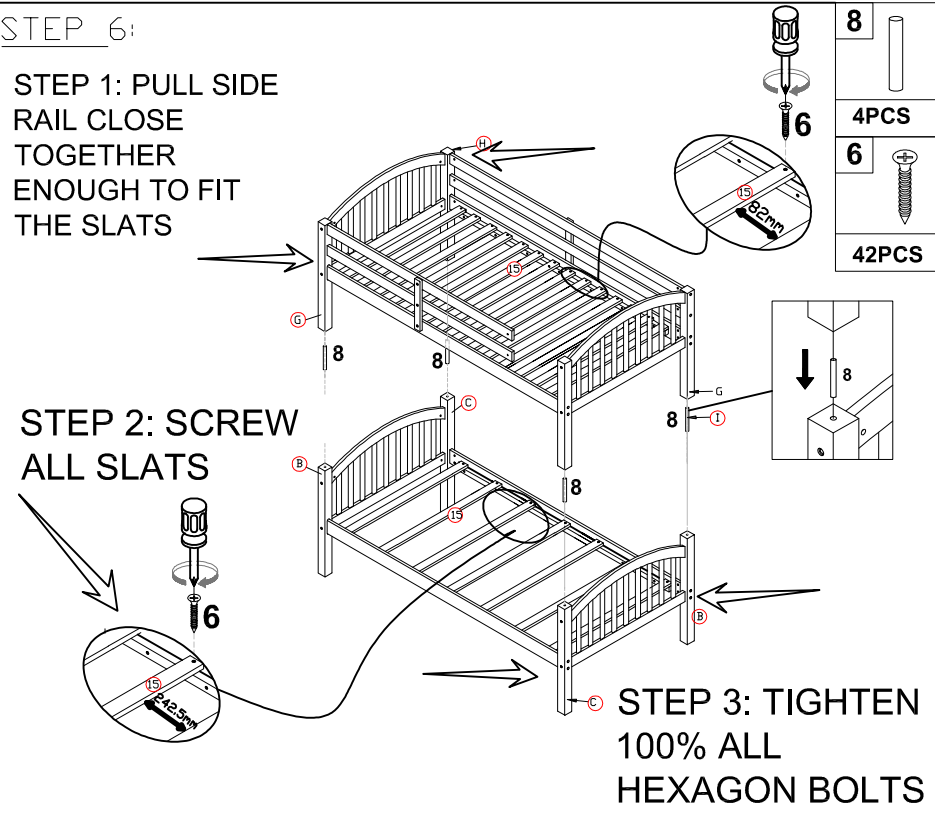


STEP 6:

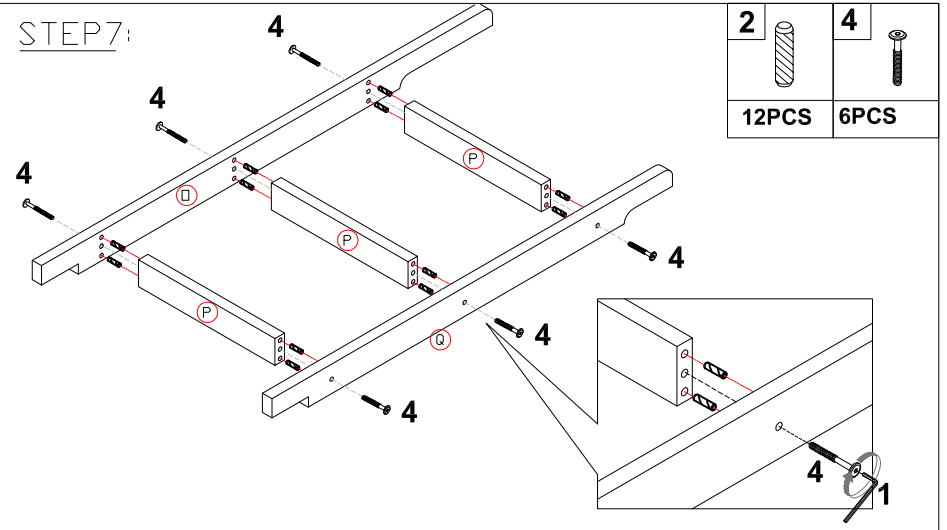
STEP 1: PULL SIDE RAIL CLOSE TOGETHER ENOUGH TO FIT THE SLATS

STEP 2: SCREW ALL SLATS

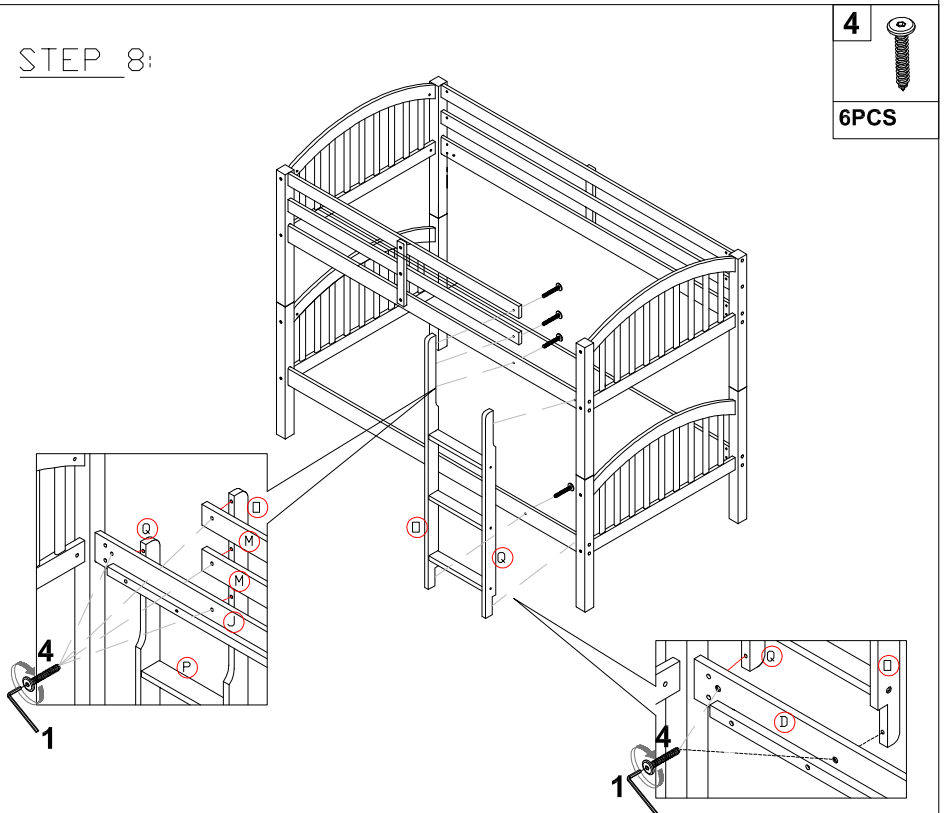
STEP 3: TIGHTEN 100% ALL HEXAGON BOLTS



STEP 7:



STEP 8:



COMPLETED

