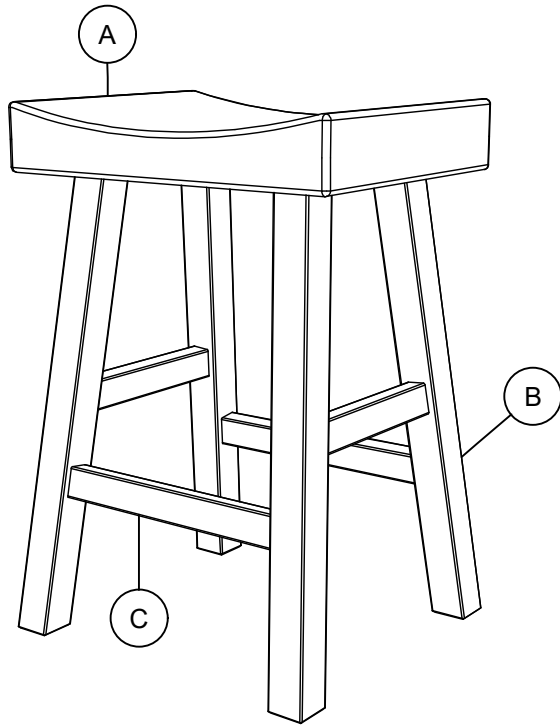


Thank you for purchasing product. This product has been designed for easy assembly and is constructed for durability. Please take this time to read and follow the assembly instruction carefully. If a part or hardware is missing or you have any difficulties in assembling this product, please contact us .





ASSEMBLY INSTRUCTION
SADDLE STOOL

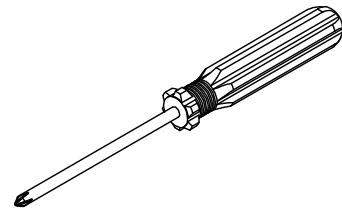


PARTS CHECK LIST

CODE	COMPONENTS	Q'TY
(A)	STOOL SEAT	1 PC
(B)	LEG FRAME (L & R)	2 PCS
(C)	STRETCHER	2 PCS

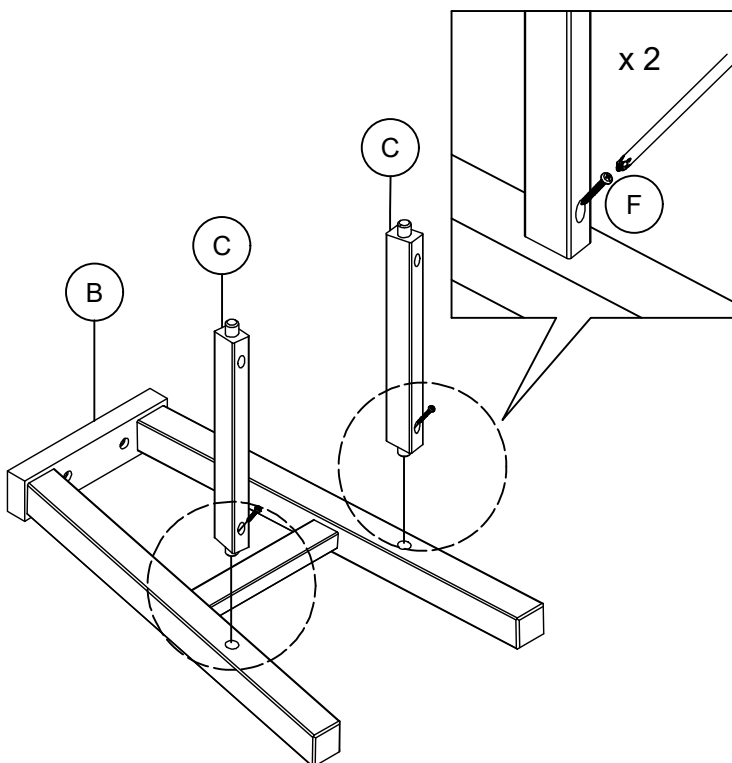
PARTS CHECK LIST

CODE	DESCRIPTION	Q'TY
(D)	 JCBC SCREW M6 x 40MM	4 PCS
(E)	 SPRING WASHER 1/4" x 13	4 PCS
(F)	 PH SCREW M4 x 38MM	4 PCS
(G)	 ALLEN KEY M4 x 100MM	1 PC

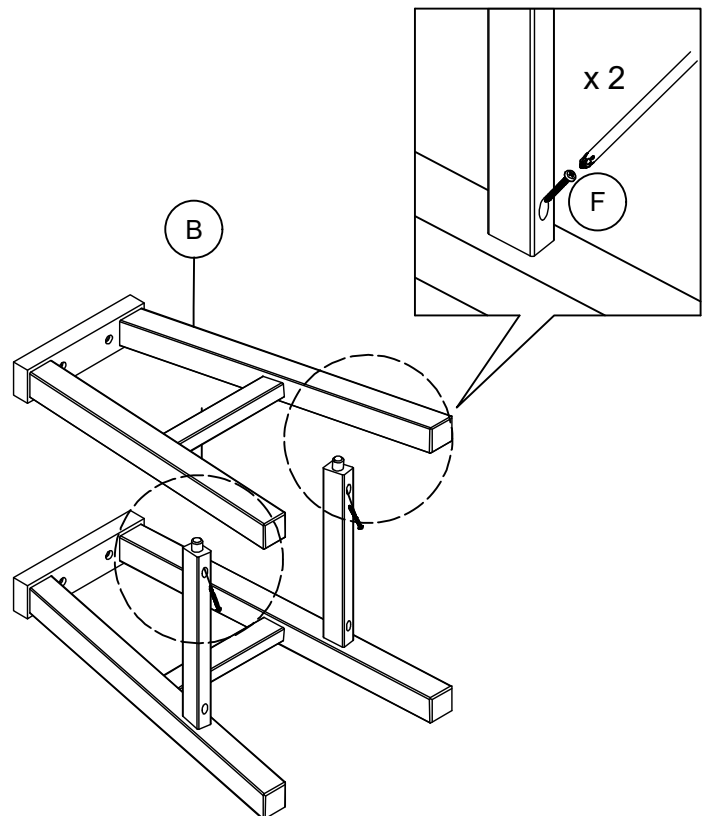


PHILLIPS HEAD SCREWDRIVER
TOOL NEEDED (NOT INCLUDED)

1. Loosely tighten PH screws.

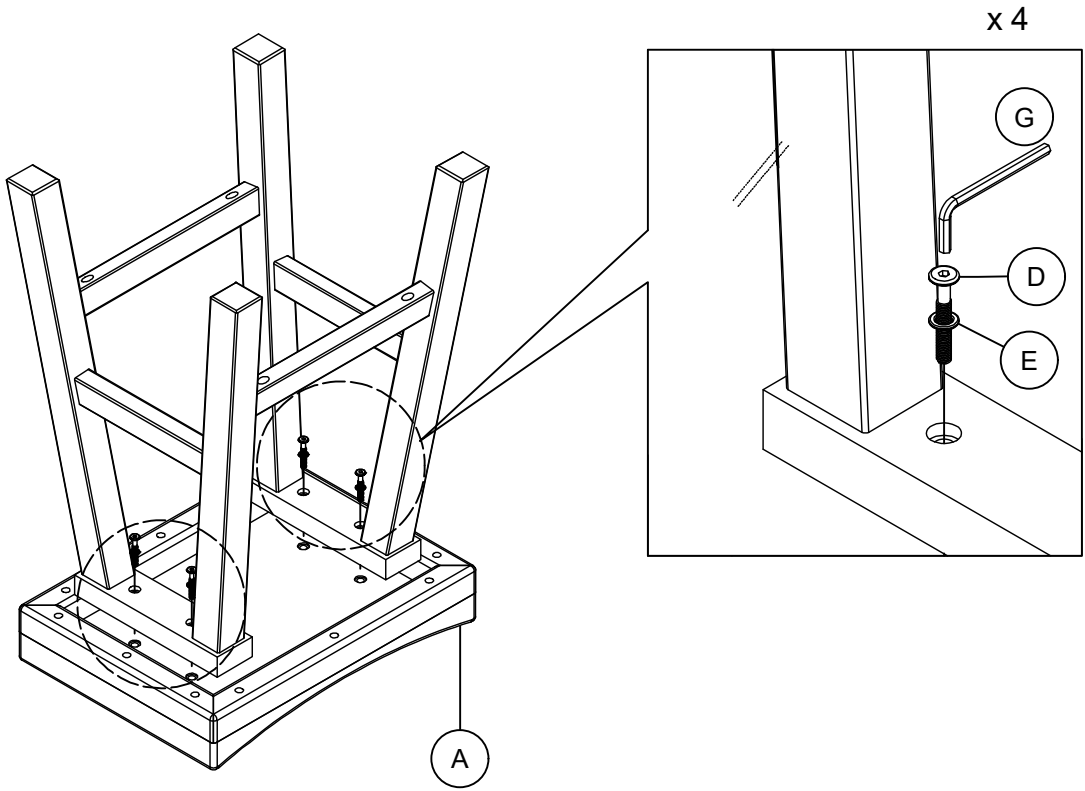


2. Loosely tighten PH screws.



3.

Fully tighten all PH and JCBC screws.



4.

