

INSTRUCTION MANUAL

13FT x 15FT Gazebo

**IF YOU PURCHASED THE PRODUCT ONLINE AND HAVE ANY
QUESTIONS OR CONCERNS PLEASE
CONTACT US WITH EMAIL OR TEXT**

EMAIL: yardsightfurniture@outlook.com

TEXT: +1 323-400-0363

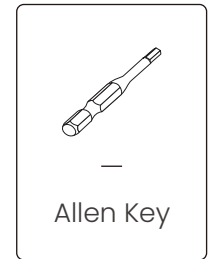
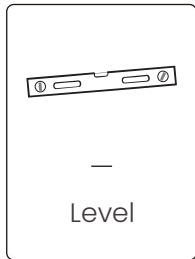
Warnings and Cautions

- Please retain this instruction for future usage and read carefully before assembly.
- Make sure you have all the parts & hardware as the item list shows.
- 5 adults or more are recommended to install your gazebo.
- Do not discard any of the packaging until you have checked that you have all the parts and pack of fittings.
- Check all bolts for tightness before use, and periodically check and tighten bolts to ensure your gazebo works properly.
- Some parts might have sharp edges/corners. Please follow basic safety precautions to reduce the risk of hurt.
- It is essential to place the gazebo on level ground and not less than 6 feet from any obstruction such as fences, garages, the house, overhanging branches, laundry lines, or electrical wires.
- Lastly, be careful the parts are not swallowed by pets and kids.

Pre-assembly

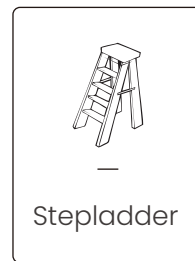
TOOLS THAT MAY BE REQUIRED (NOT included in the boxes)

*NOTE: Tools / equipment are not shown to actual size and scale

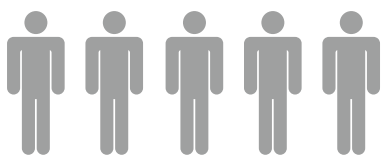


EQUIPMENT REQUIRED (NOT included in the boxes)

*NOTE: Equipment are not shown to actual size and scale



Matters needing attention



Five or more people are required for assembly.



Do not fully tighten screws prior to complete assembly.

Warranty

One Year Warranty

Frames

Frames constructions are warranted to be free from defects in material and workmanship for 1 year from item purchased. Damage to frame from negligence won't be covered by this warranty.

Bolts & nuts

Bolts and nuts are warranted to be free from defects in material and workmanship for 1 year from item purchased. Damage from exposure to chemicals (including not only oils, spills, fluids) won't be covered by this warranty.

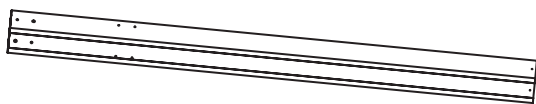
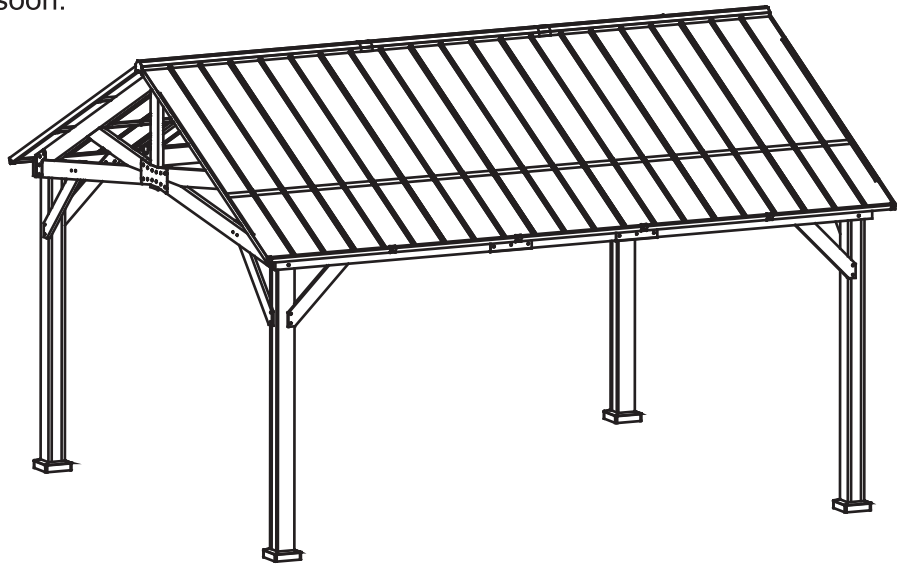
Warranty Limitation

This warranty is for the original purchase order only. (Order number required). This warranty is non-transferable.

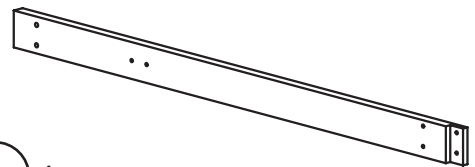
Carton-1/6		Carton-2/6		Carton-6/6	
Part	Qty	Part	Qty	Part	Qty
F3	2	Q1	4	WB1	4
F5	1	Q3	4	WB2	2
H10	8	Q4	2	WC2	4
M3	2	Q7	16	WC3	2
M4	2	Q8	4	WH1	2
Q2	2	Q9	4	WH2	2
Q5	8	Y	52	WH3	2
Q10	2	Y2	72	WH4	2
R4	2			1.2.3.4.5.6.7.8.9. 10.11.12.13.14.15. 16.17.18.19.20.21. 22.23.24.25	1
R5	1	Carton-3/6			
U1	4	Part	Qty		
		P13	2		
		P14	2		
Carton-2/6		P15	10		
Part	Qty	Q11	4		
D	4	Carton-4/6			
J1	8	Part	Qty		
J2	2	WA1	2		
J3	2	WC1	4		
J4	4				
J5	4	Carton-5/6			
L1	6	Part	Qty		
L2	4	WA1	2		
N2	4	WB3	4		
N3	4				
N4	2				
N7	4				
N8	4				
N9	2				
P7	10				
P11	2				
P12	2				

Attention:

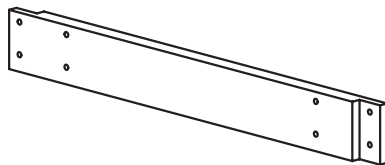
1. Please do not fully tighten all the screws prior to complete assembly.
2. Please check the manual carefully and make sure you have received all the parts.
3. If there is any missing, please let us know the parts with the part number you need.
4. If there is any damage, please send clear photos to us, we will check and offer you best solution soon.



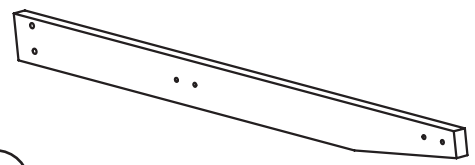
WA1 4x



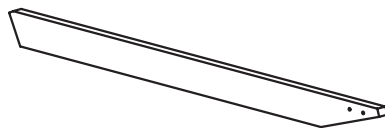
WB1 4x



WB2 2x



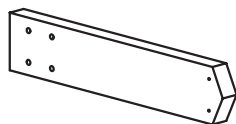
WB3 4x



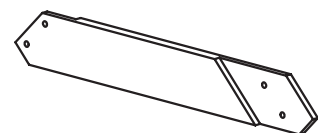
WC1 4x



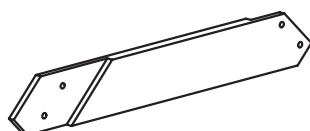
WC2 4x



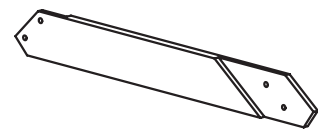
WC3 2x



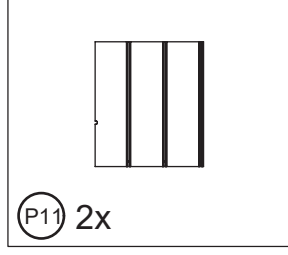
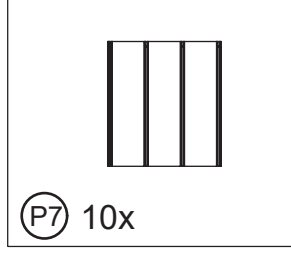
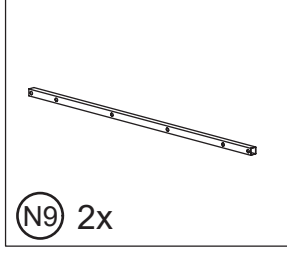
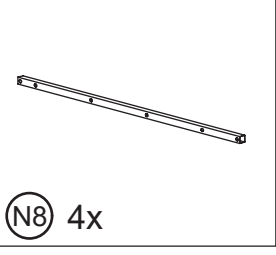
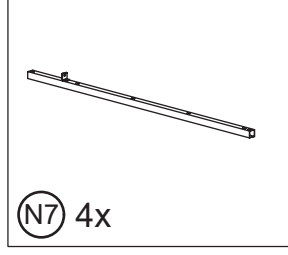
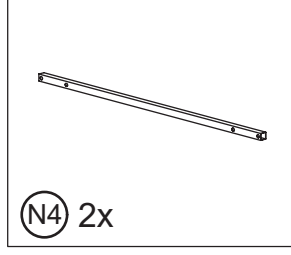
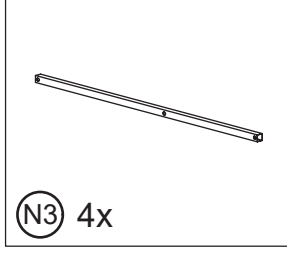
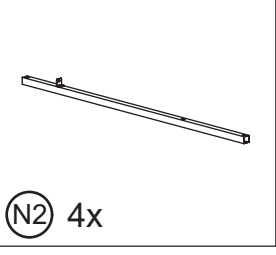
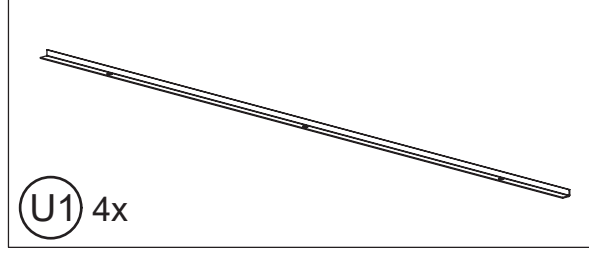
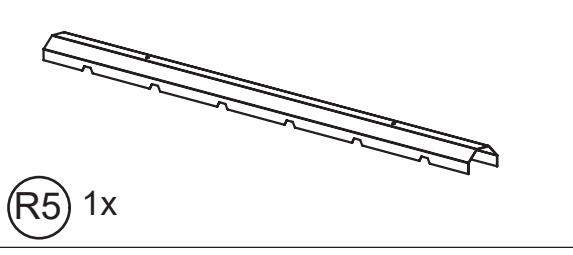
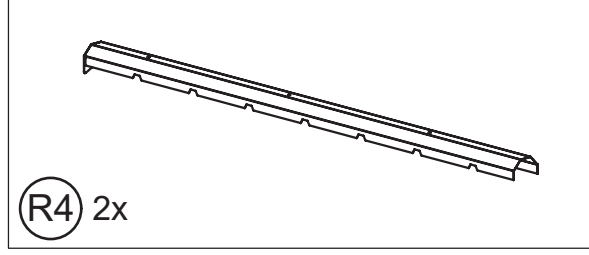
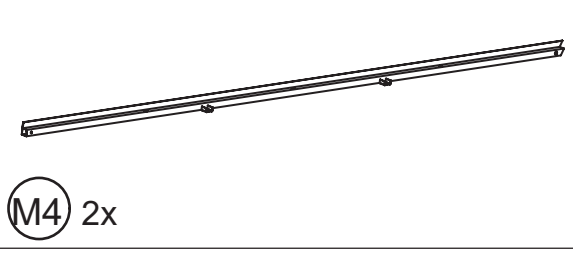
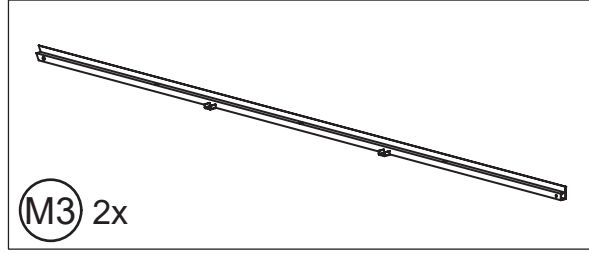
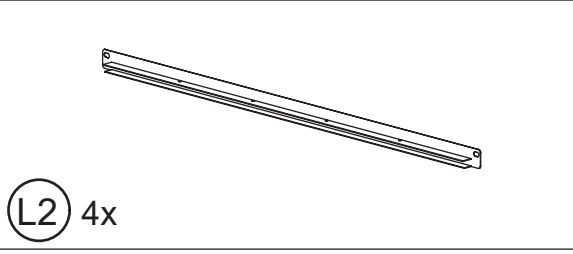
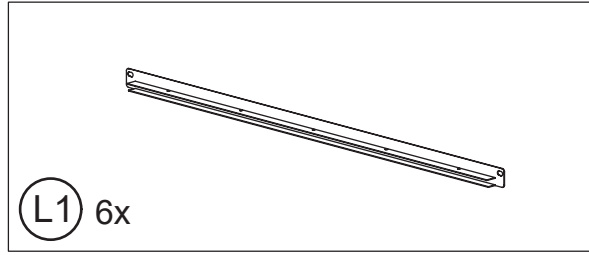
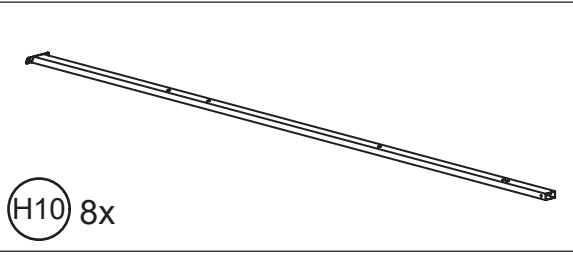
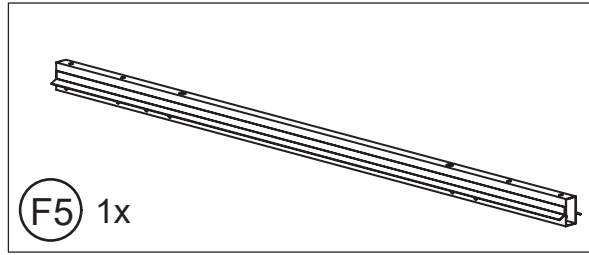
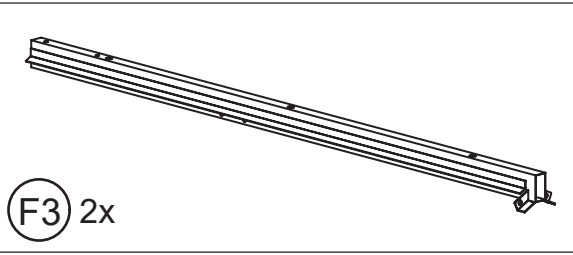
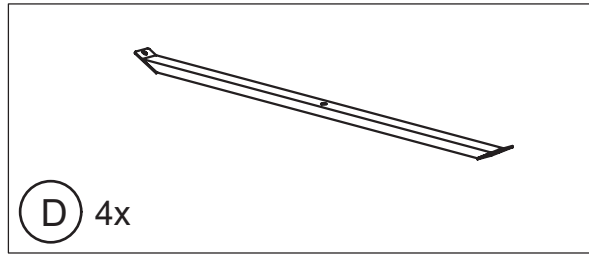
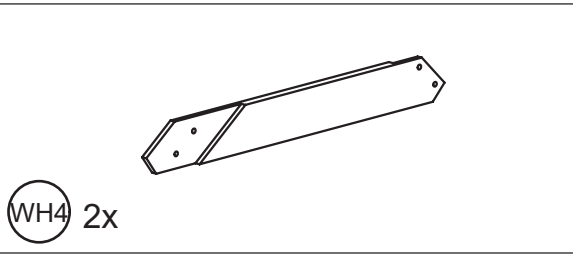
WH1 2x



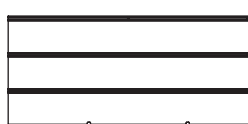
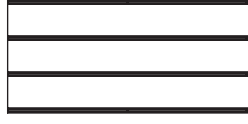
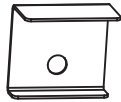




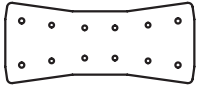
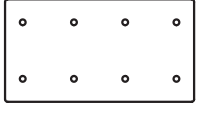
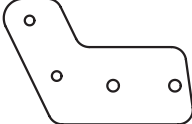
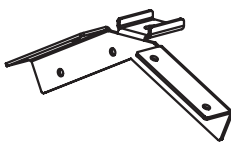
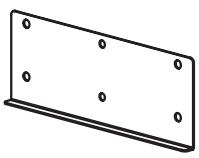
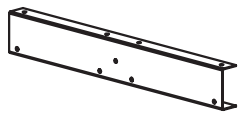
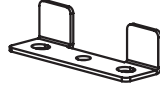
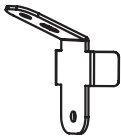
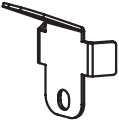

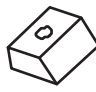


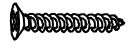

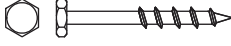

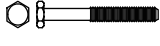
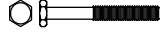
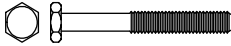





WH2 2x



WH3 2x



			
P12 2x	P13 2x	P14 2x	P15 10x
			
J1 8x	J2 2x	J3 2x	J4 4x
			
J5 4x	Q1 4x	Q2 2x	Q3 4x
			
Q4 2x	Q5 8x	Q10 2x	Q7 16x
			
Q8 4x	Q9 4x	Q11 4x	Y 52x
			
Y2 72x	1 158x	4 76x	5 16x
			
6 8x	7 52x	8 4x	9 16x
			
10 8x	11 8x	12 52x	13 72x



M10

14 8x



M8

15 160x



M10

16 24x



Φ8*180

17 8x



18 4x



M6x40

19 52x



20 2x



M6

21 2x



M8

22 2x



M10

23 2x



M6

24 1x



M8

25 1x

<1>

WA1 4x



J4 4x

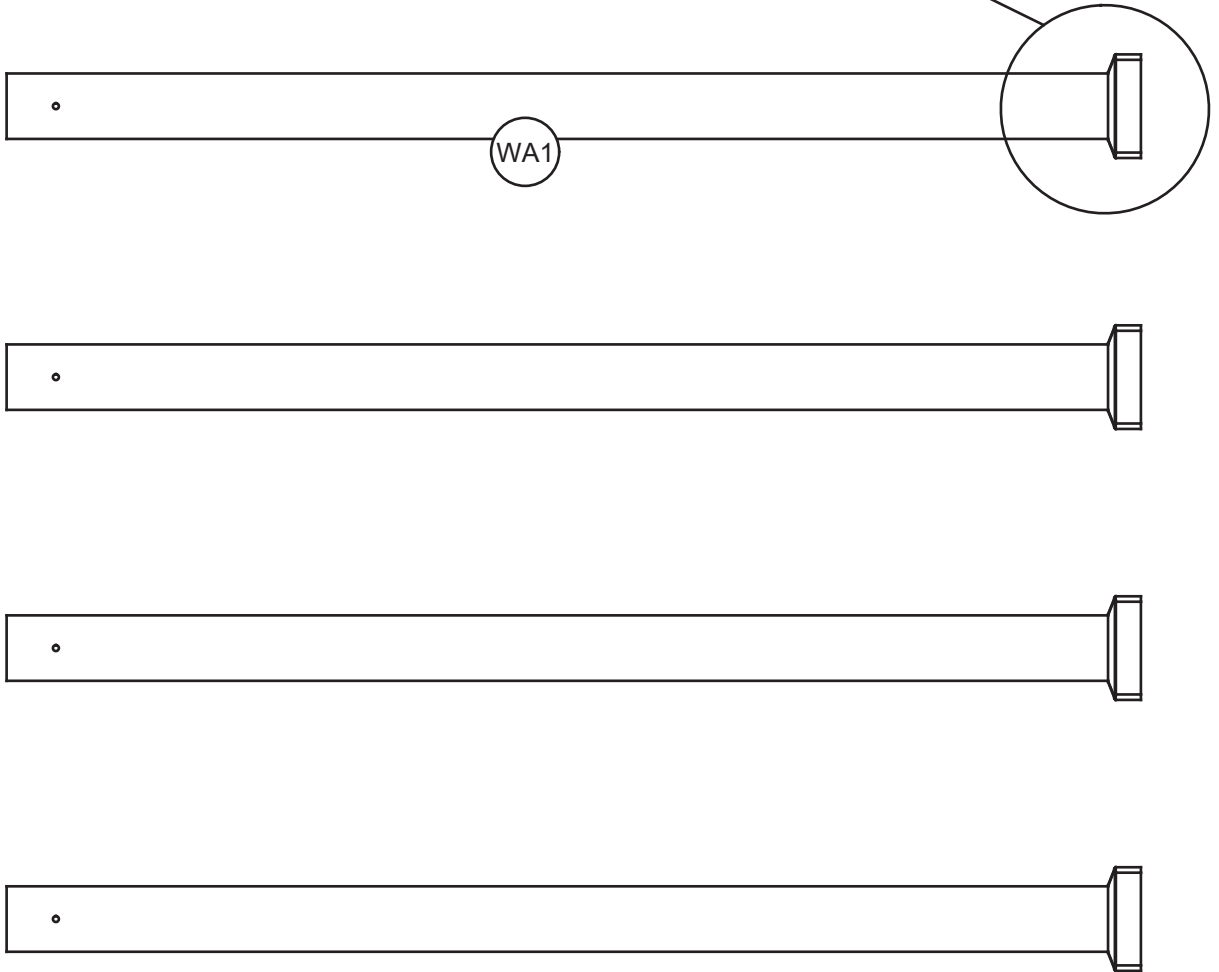
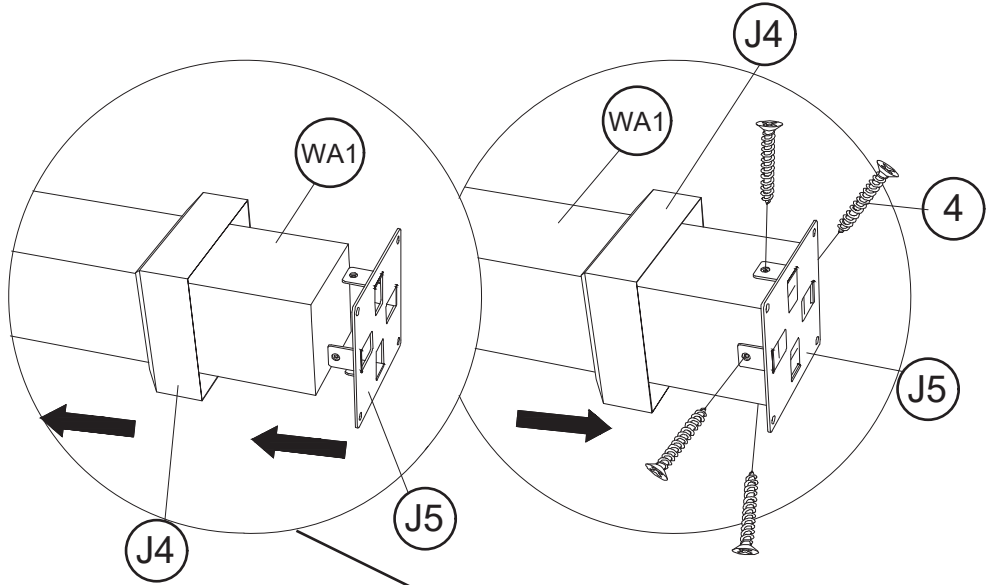


J5 4x



M5x30

4 16x



<2>



WB3 4x



WC2 4x



WC3 2x



Q1 4x



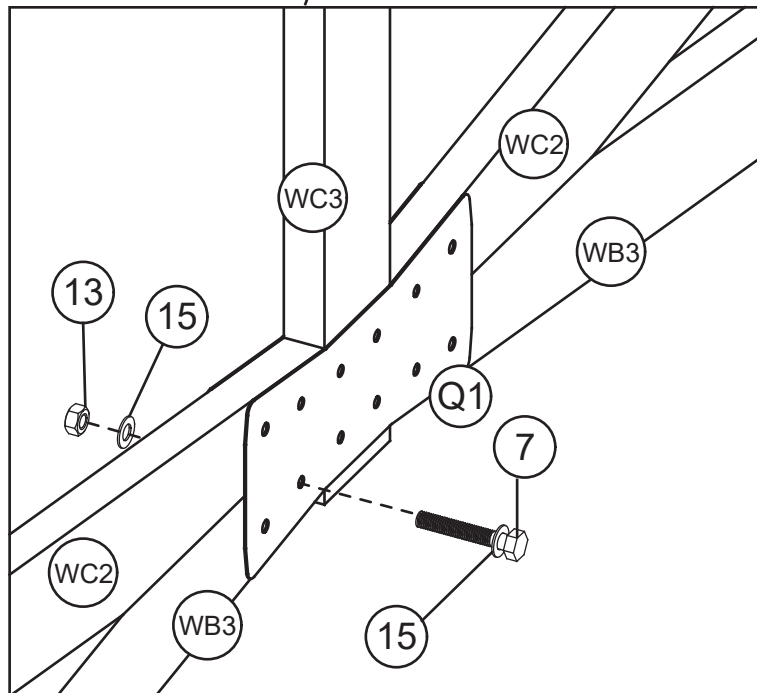
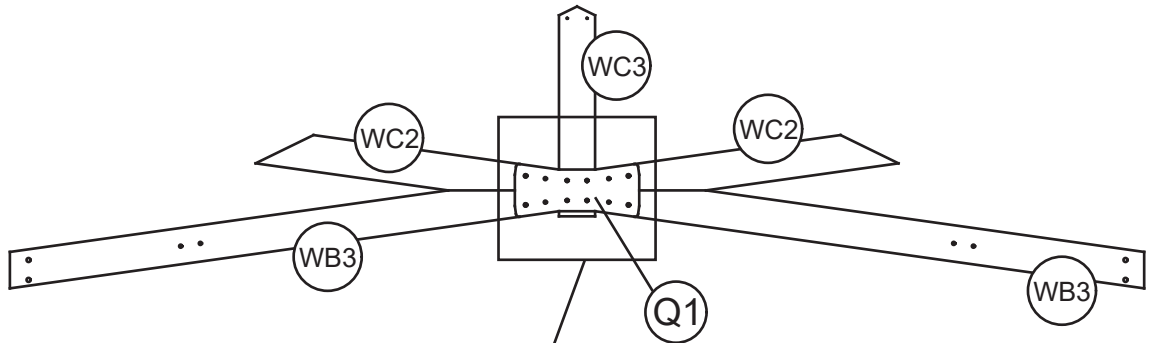
7 24x M8x50

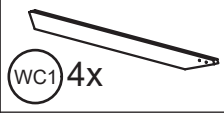


13 24x M8

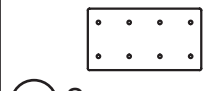


15 48x M8





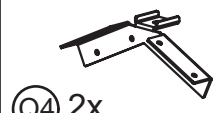
WC1 4x



Q2 2x



Q3 4x



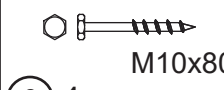
Q4 2x



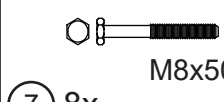
Q11 4x



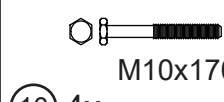
4 48x



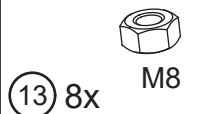
6 4x



7 8x



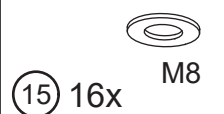
10 4x



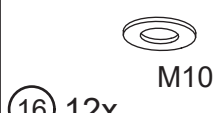
13 8x



14 4x



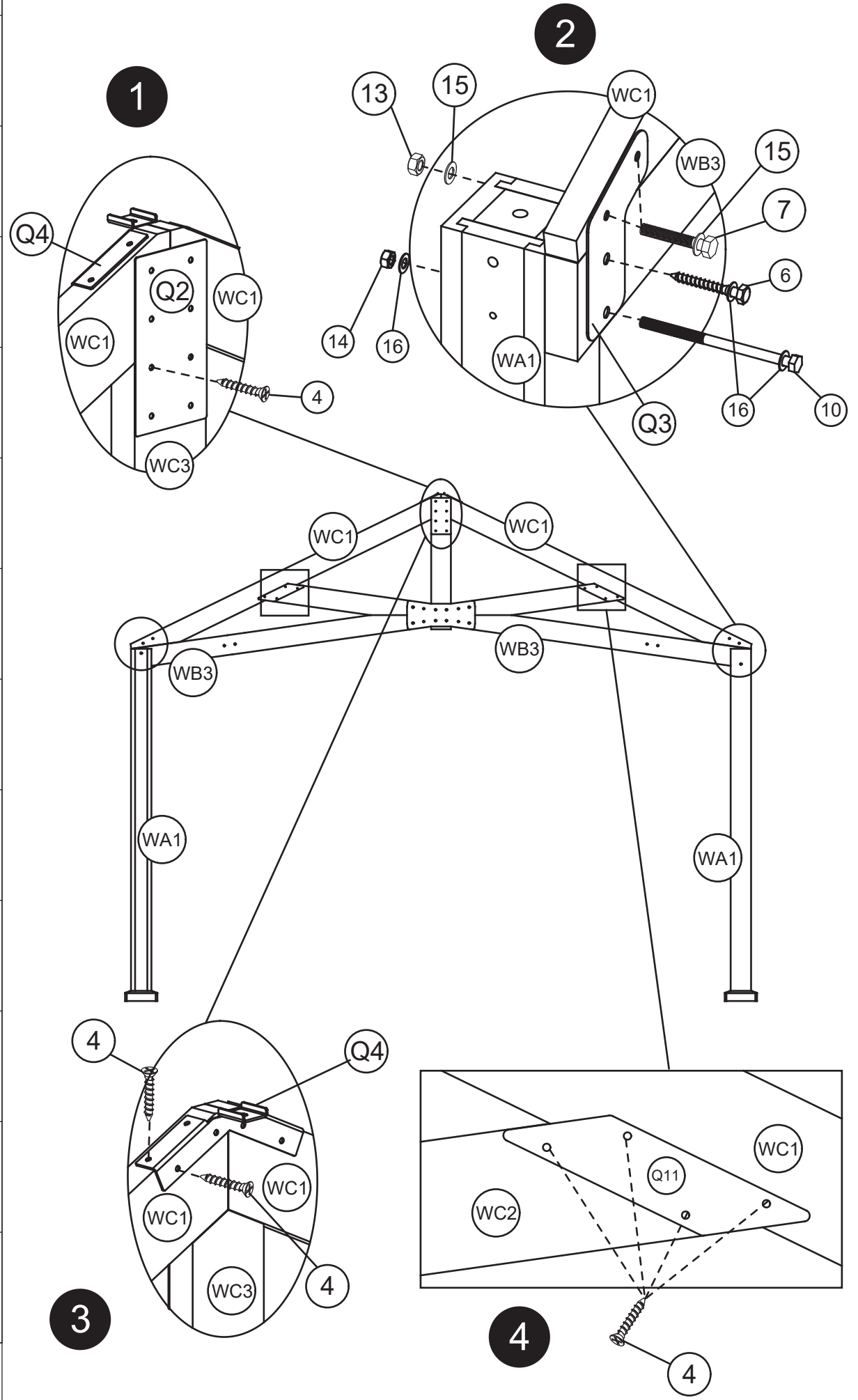
15 16x



16 12x

12

<3>



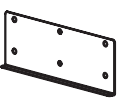
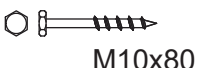

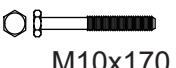
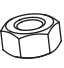





2

1

3

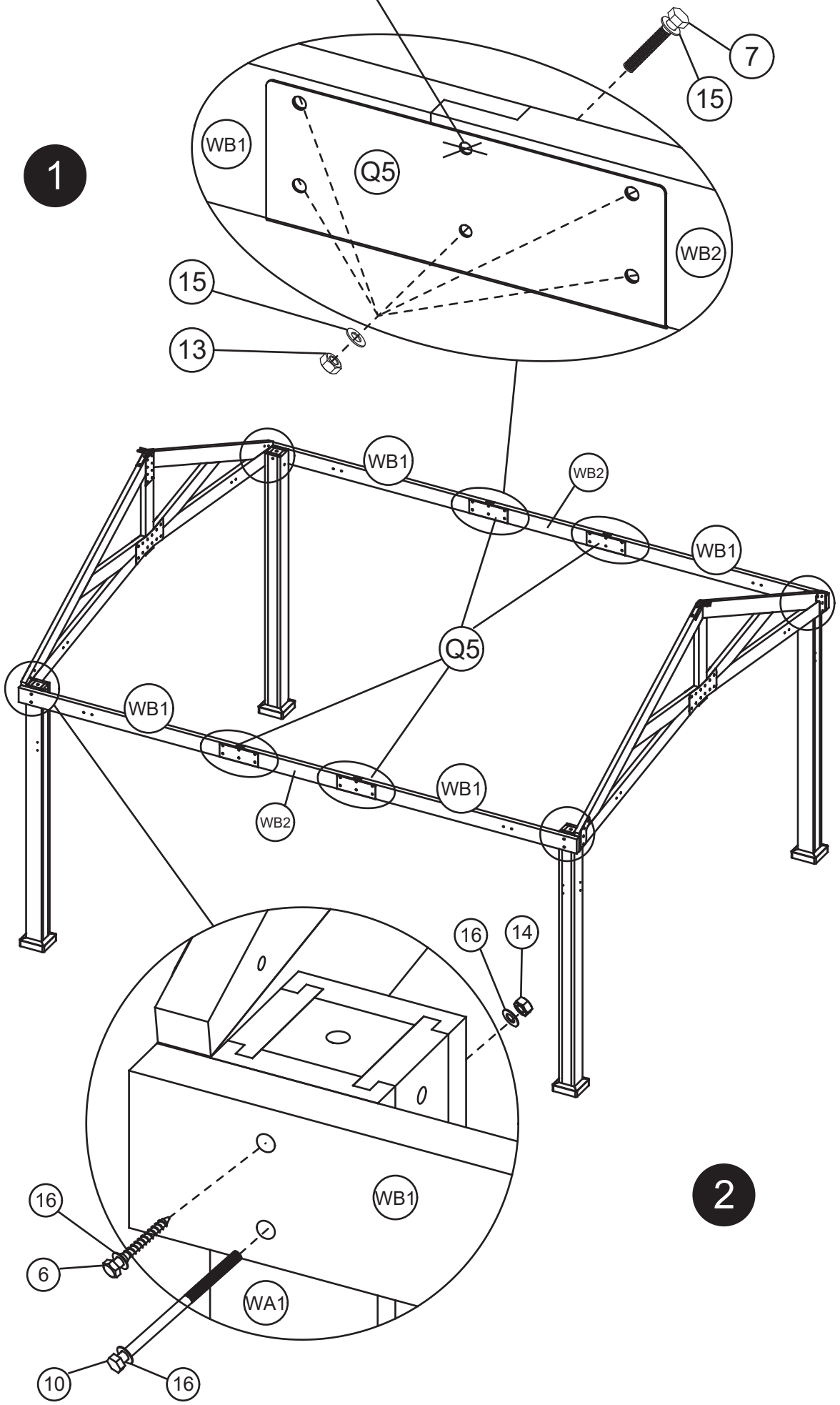
4

-  WB1 4x
-  WB2 2x
-  Q5 8x
-  M10x80
6 4x
-  M8x50
7 20x
-  M10x170
10 4x
-  M8
13 20x
-  M10
14 4x
-  M8
15 40x
-  M10
16 12x

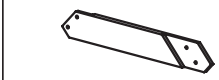
<4>

Do not lock the bolt

1



2



WH1 2x



WH2 2x



WH3 2x



WH4 2x



M8x35

5 16x



M8x60

9 16x



M8

13 16x



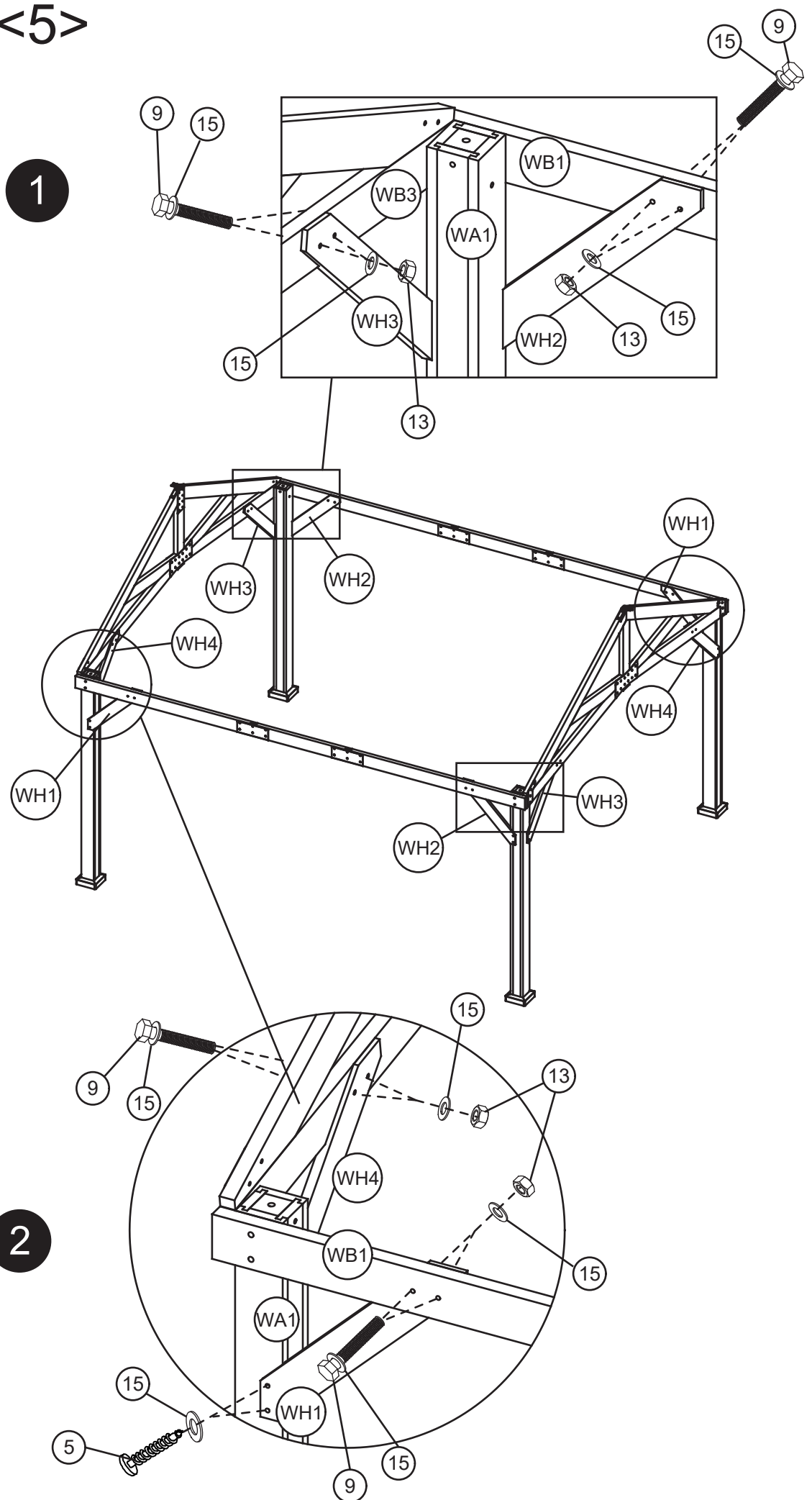
M8

15 48x

<5>

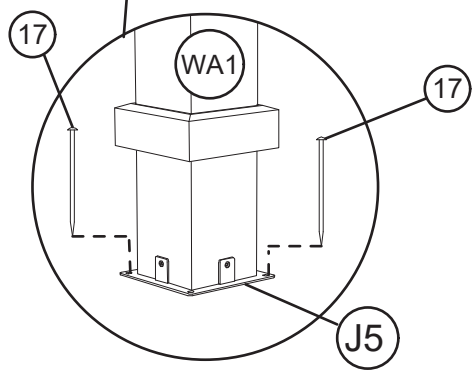
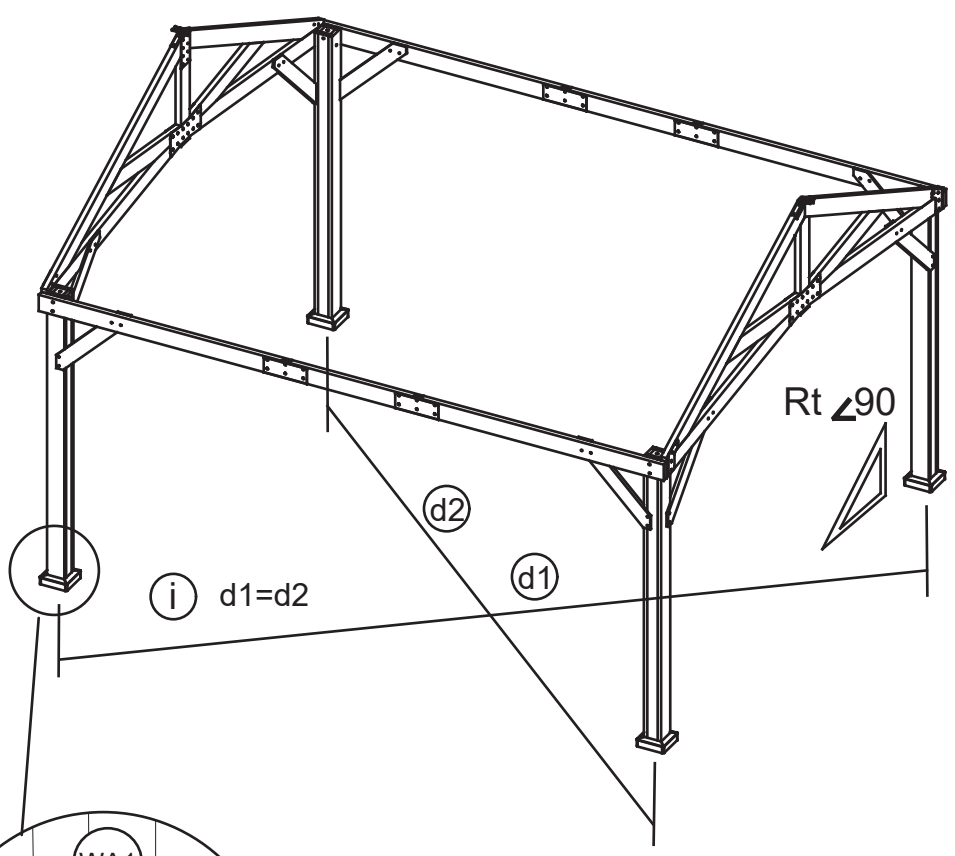
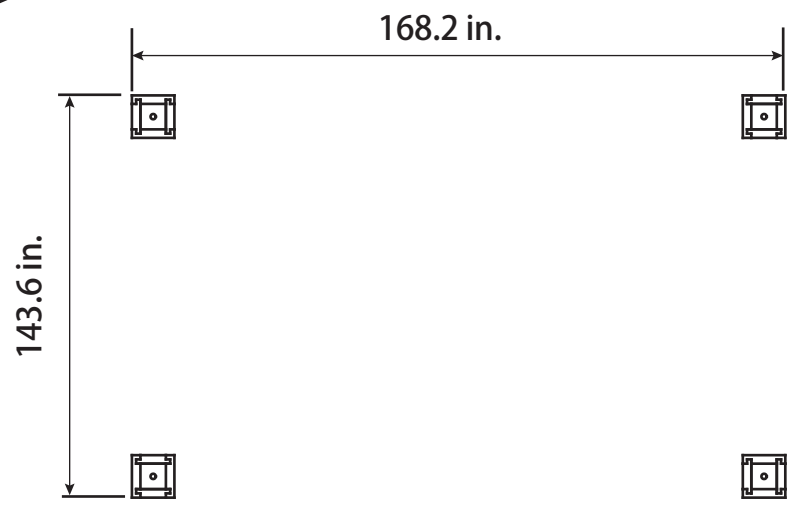
1

2



Φ8*180
 (17) 8x

<6>

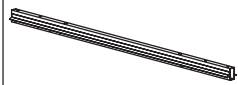


(i) $d1=d2$

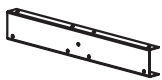
Tips: Please measure to make sure the length of $d1$ is equal to $d2$ before moving to next step to ensure a square frame and best results. Otherwise, please loosen the "WH1" or "WH2" or "WH3" or "WH4" screws and adjust them. Keep the beam at right angles to the post, the post at right angles to the ground, and keep the beam horizontal.



F3 2x



F5 1x



Q10 2x

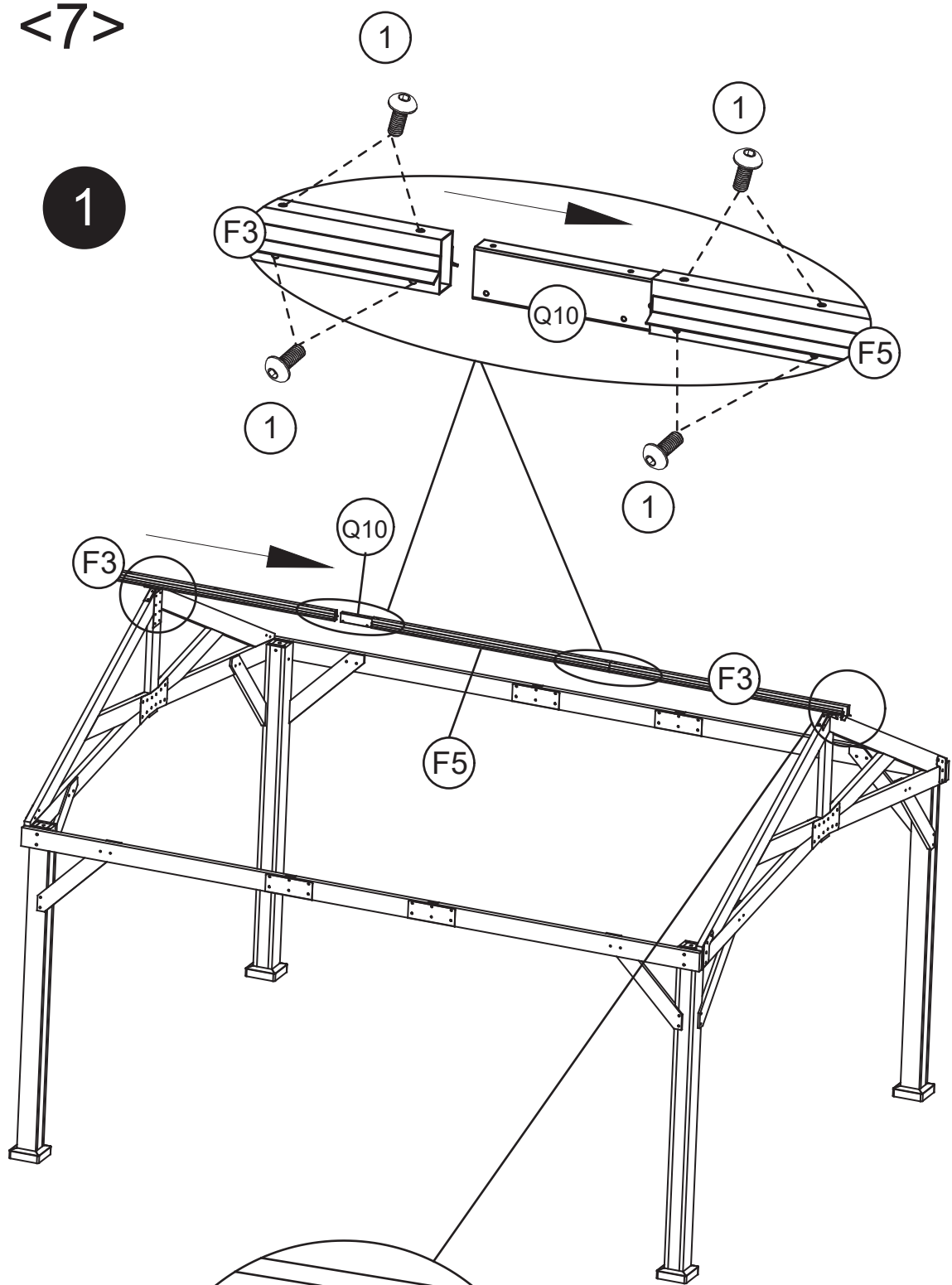


M6x15

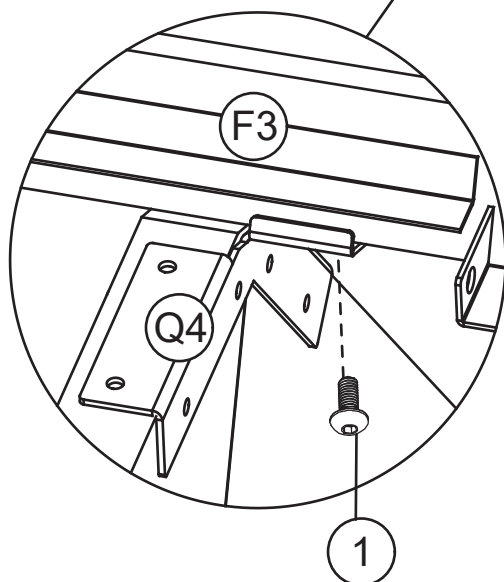
1 18x

<7>

1



2

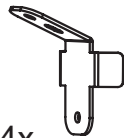




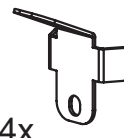
H10 8x



Q7 16x



Q8 4x



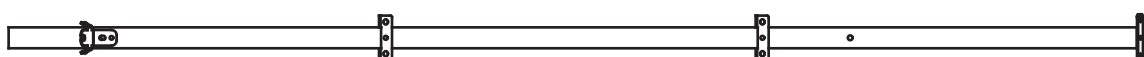
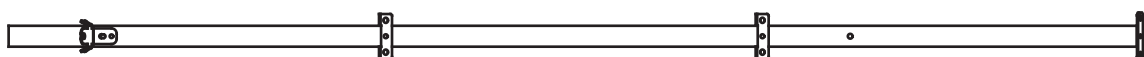
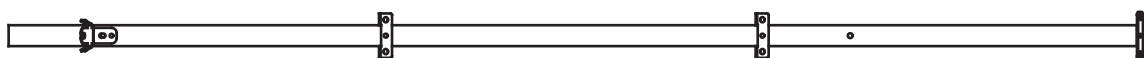
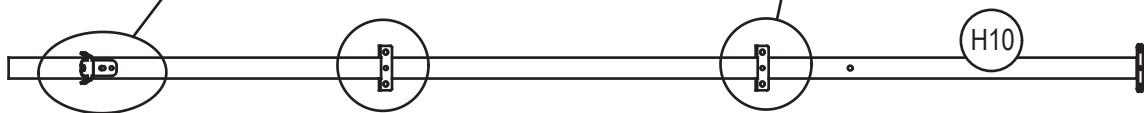
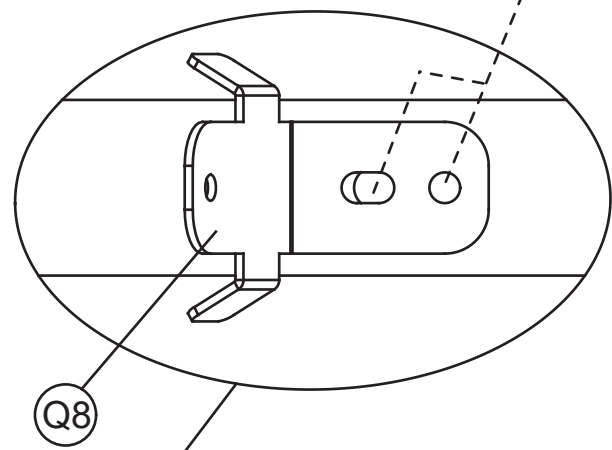
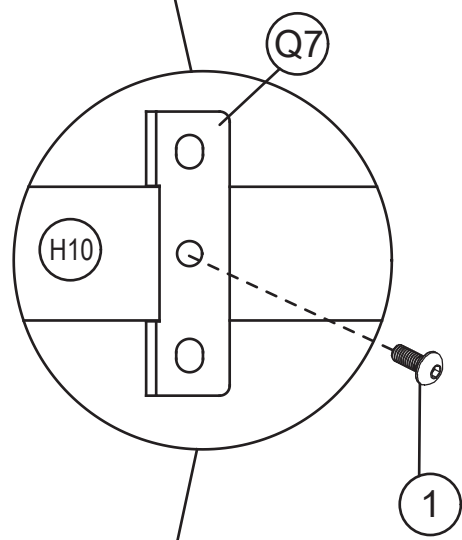
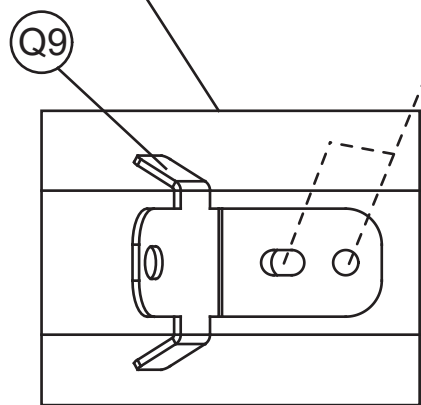
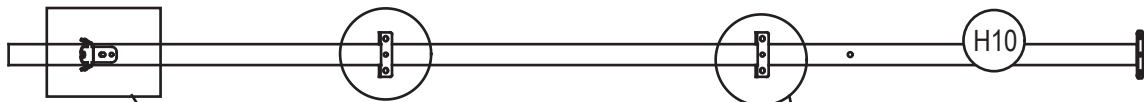
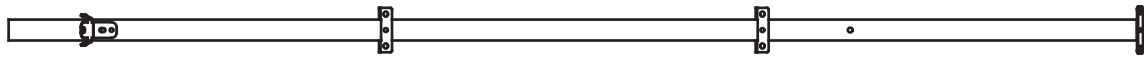
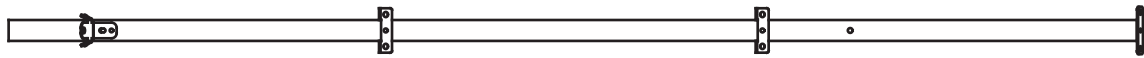
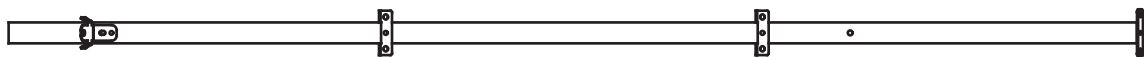
Q9 4x



M6x15

1 32x

<8>





M6x15

1 16x



M8x55

8 4x



M8

13 4x

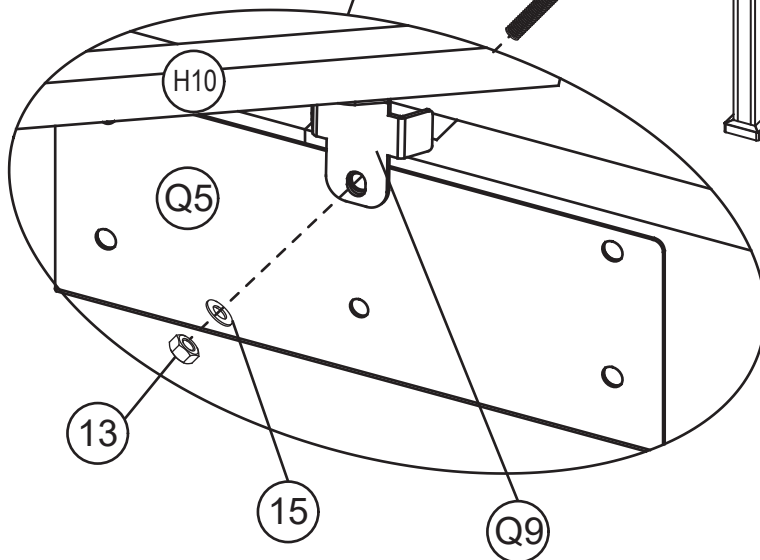
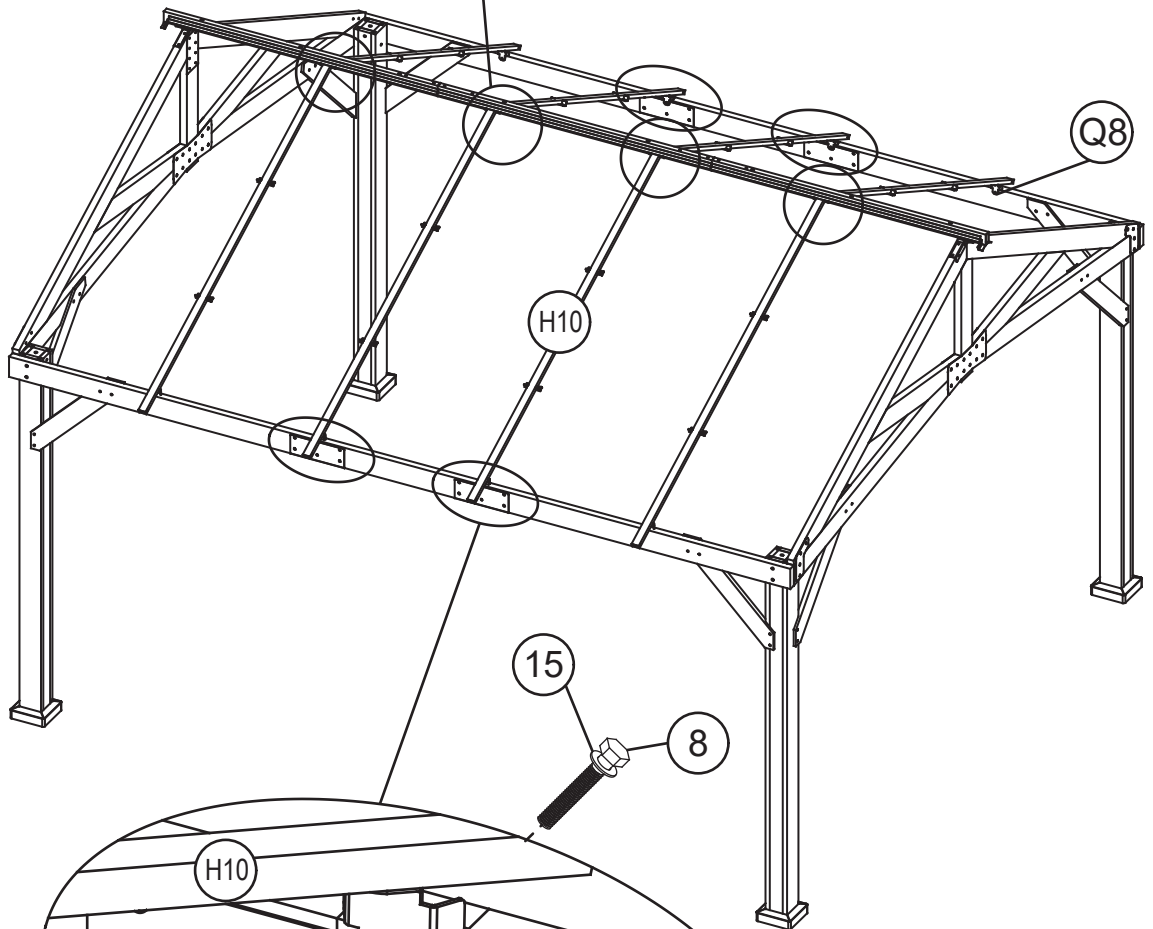
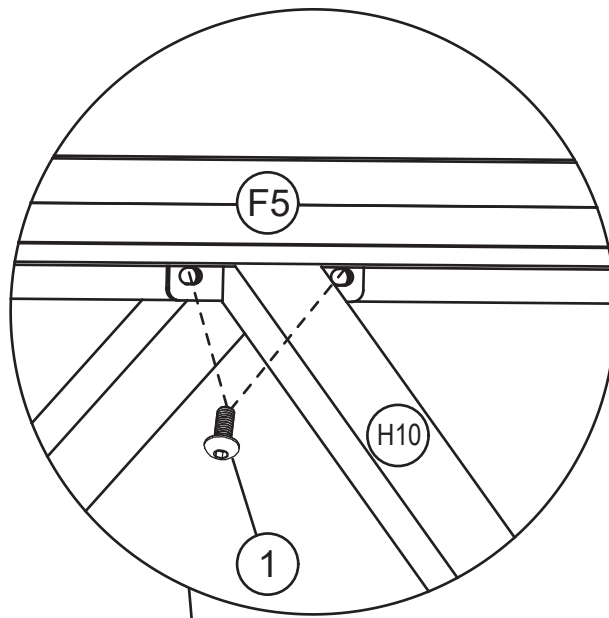


M8

15 8x

<9>

1



2



(D) 4x



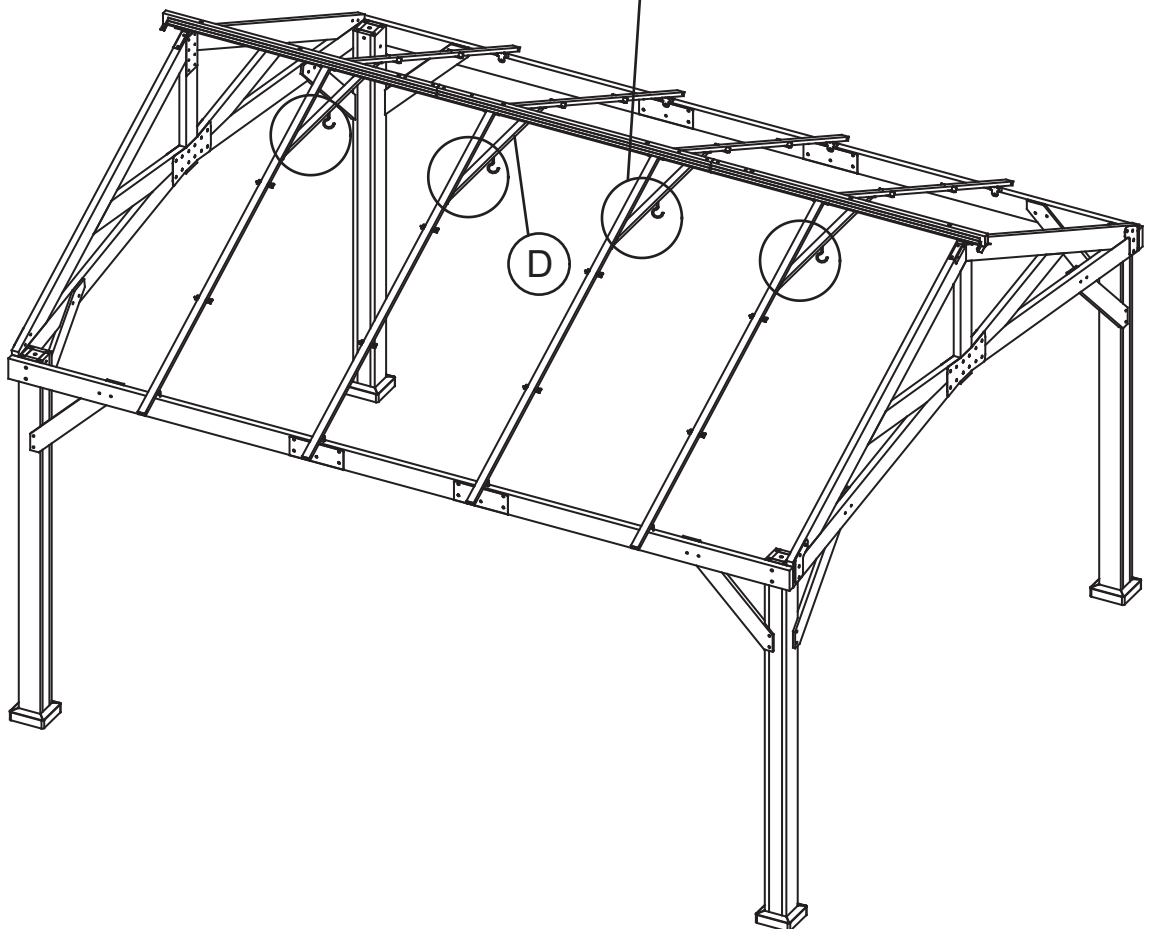
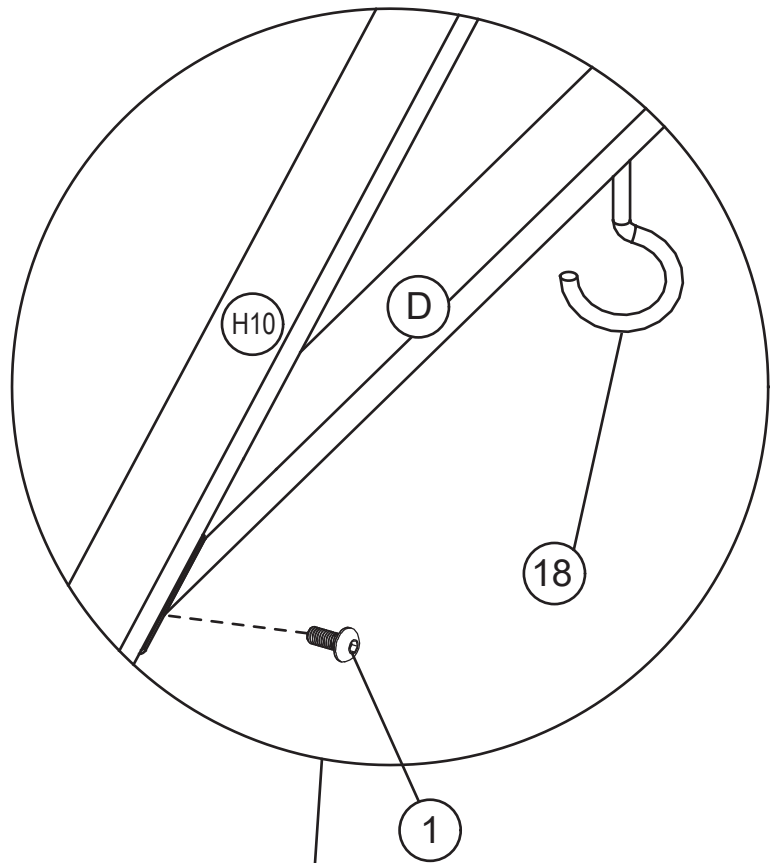
M6x15

(1) 8x



(18) 4x

<10>



<11>



(N2) 4x



(N3) 4x



(N4) 2x



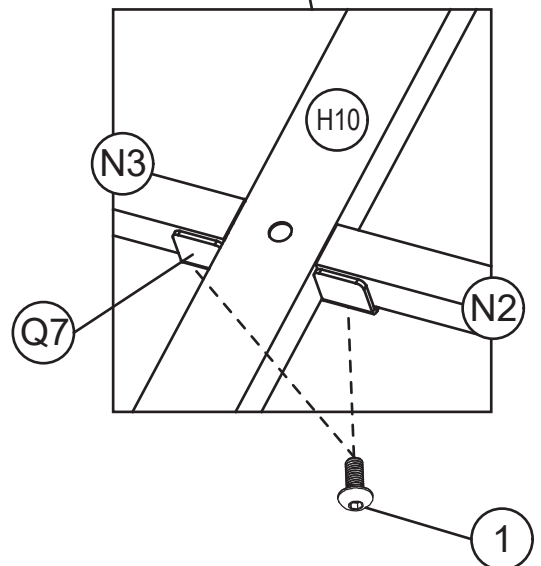
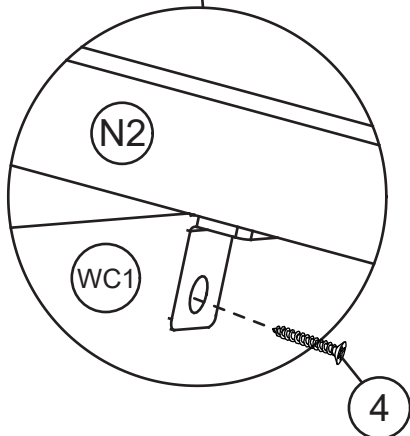
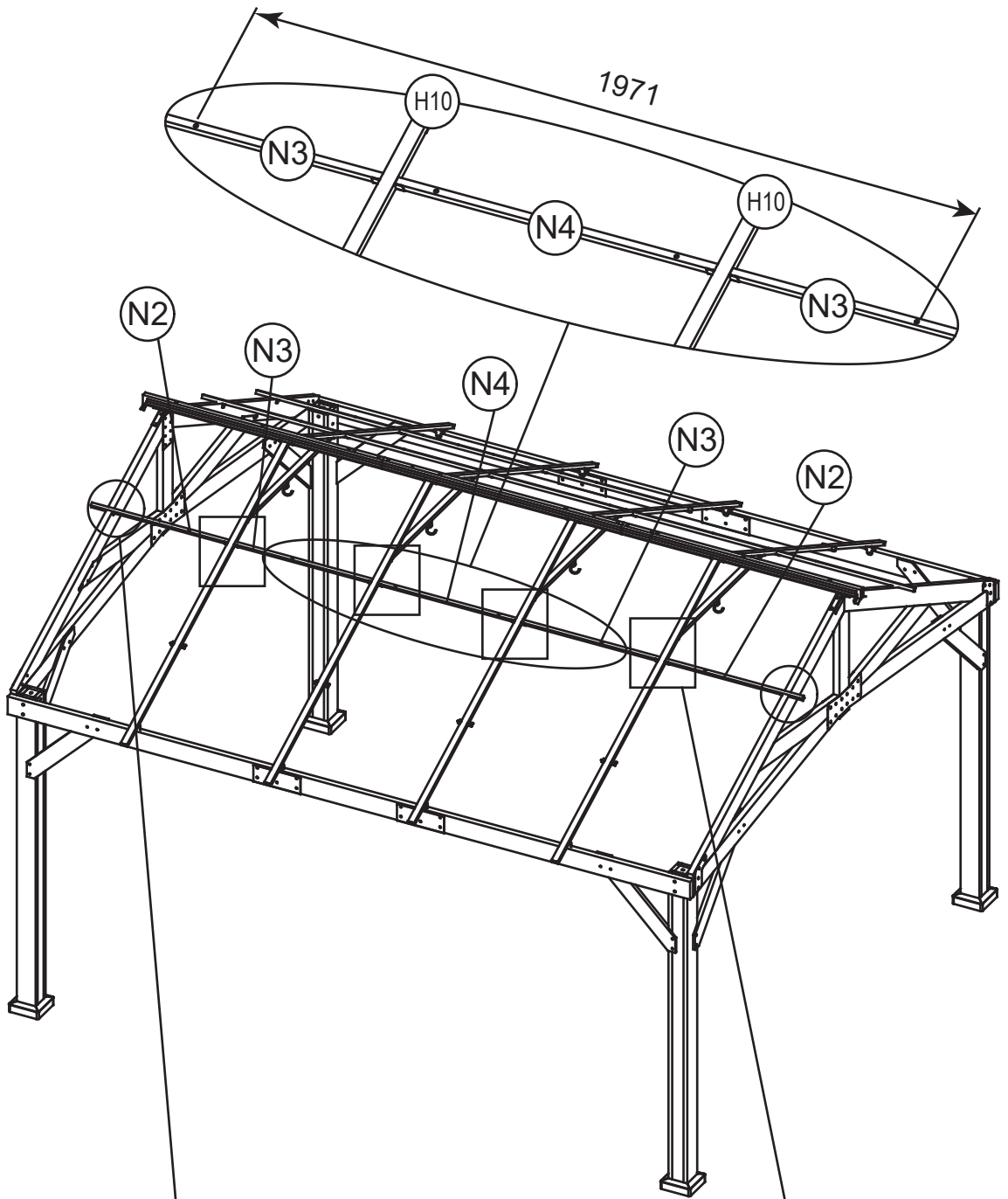
M6x15

(1) 16x



M5x30

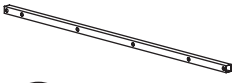
(4) 4x



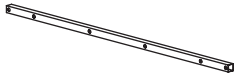
<12>



(N7) 4x



(N8) 4x



(N9) 2x



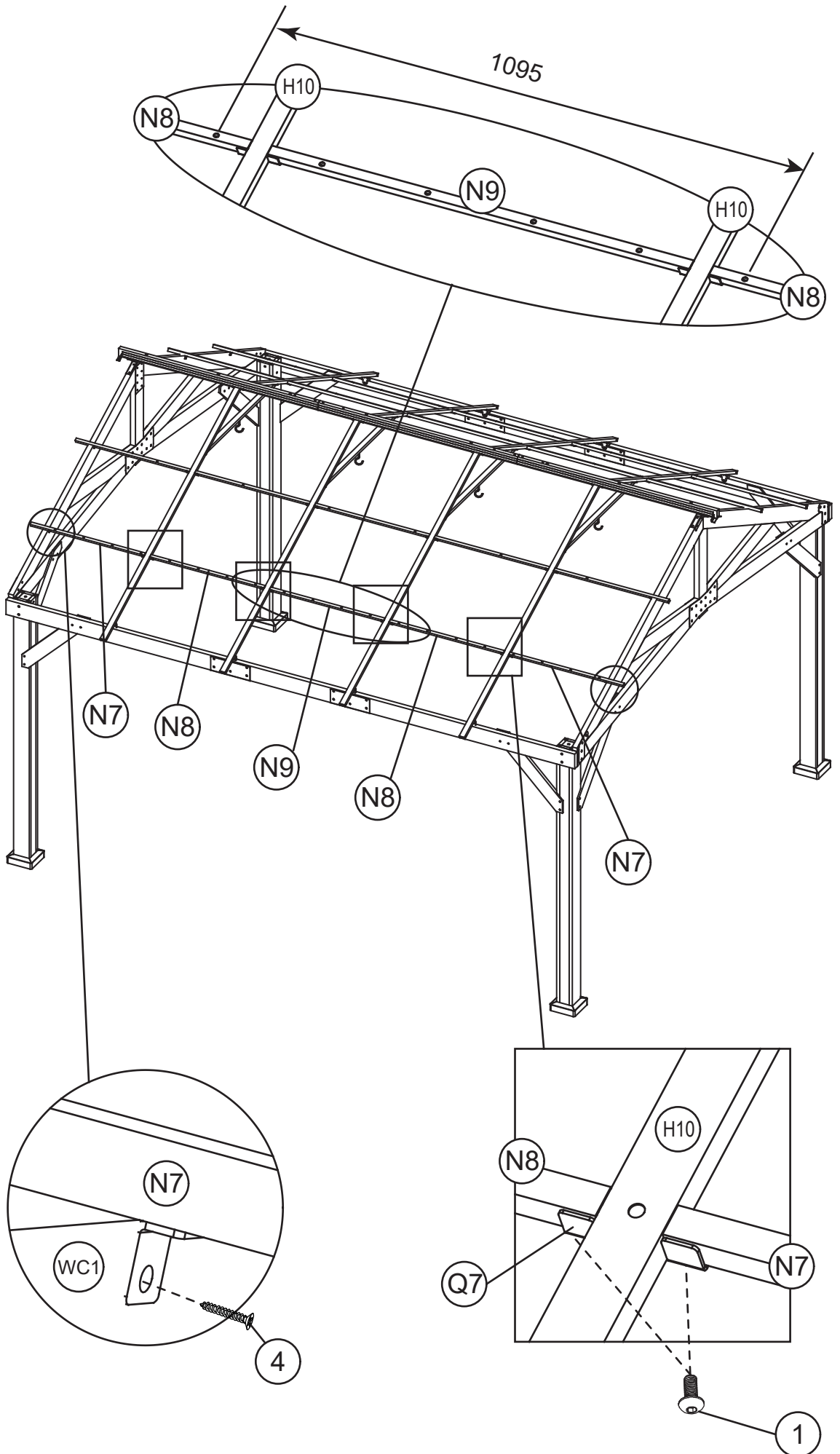
M6x15

(1) 16x



M5x30

(4) 4x



<13>



(M3) 2x



(M4) 2x



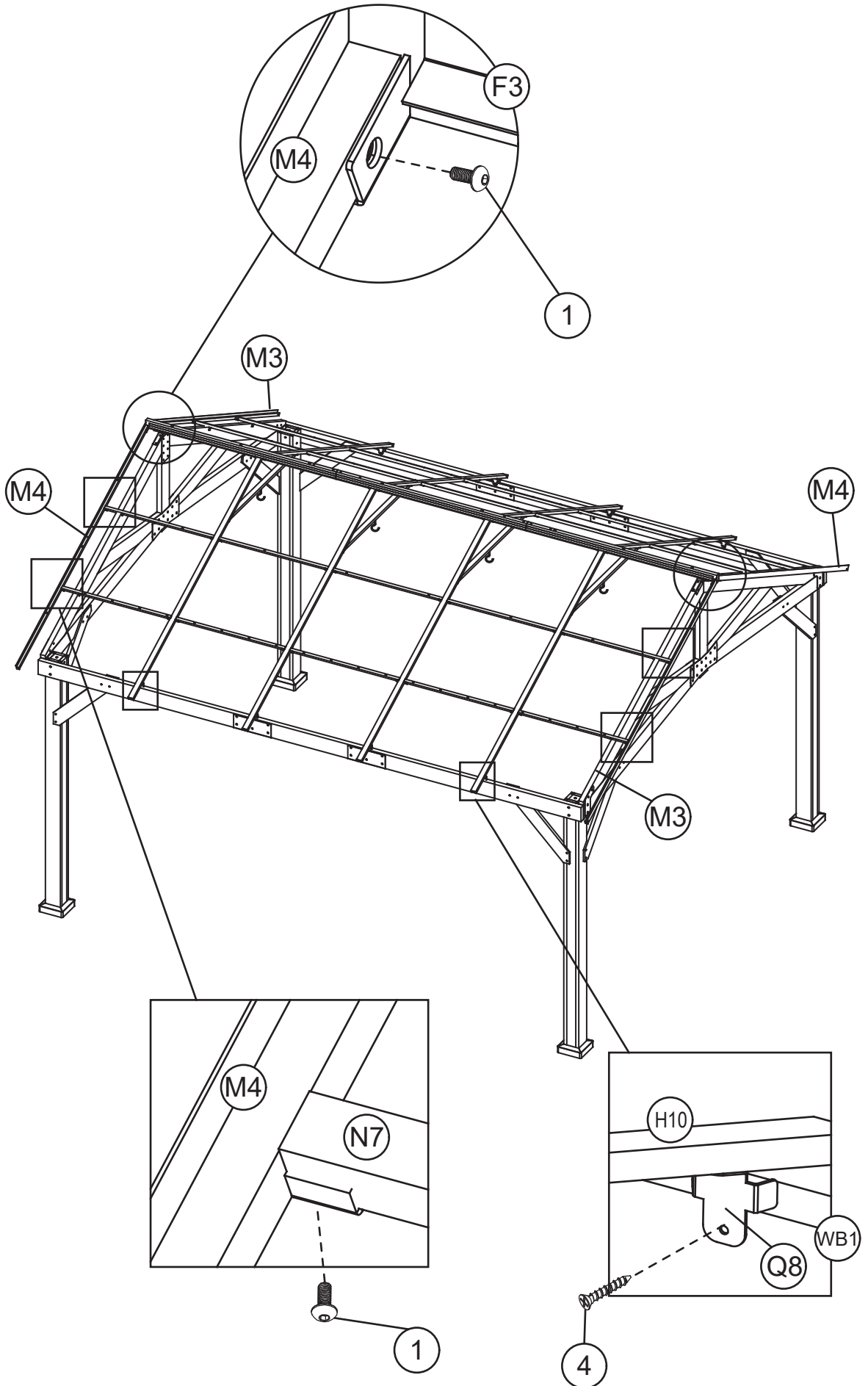
M6x15

(1) 12x



M5x30

(4) 4x



<14>



L1 6x



L2 4x



J1 8x



J2 2x

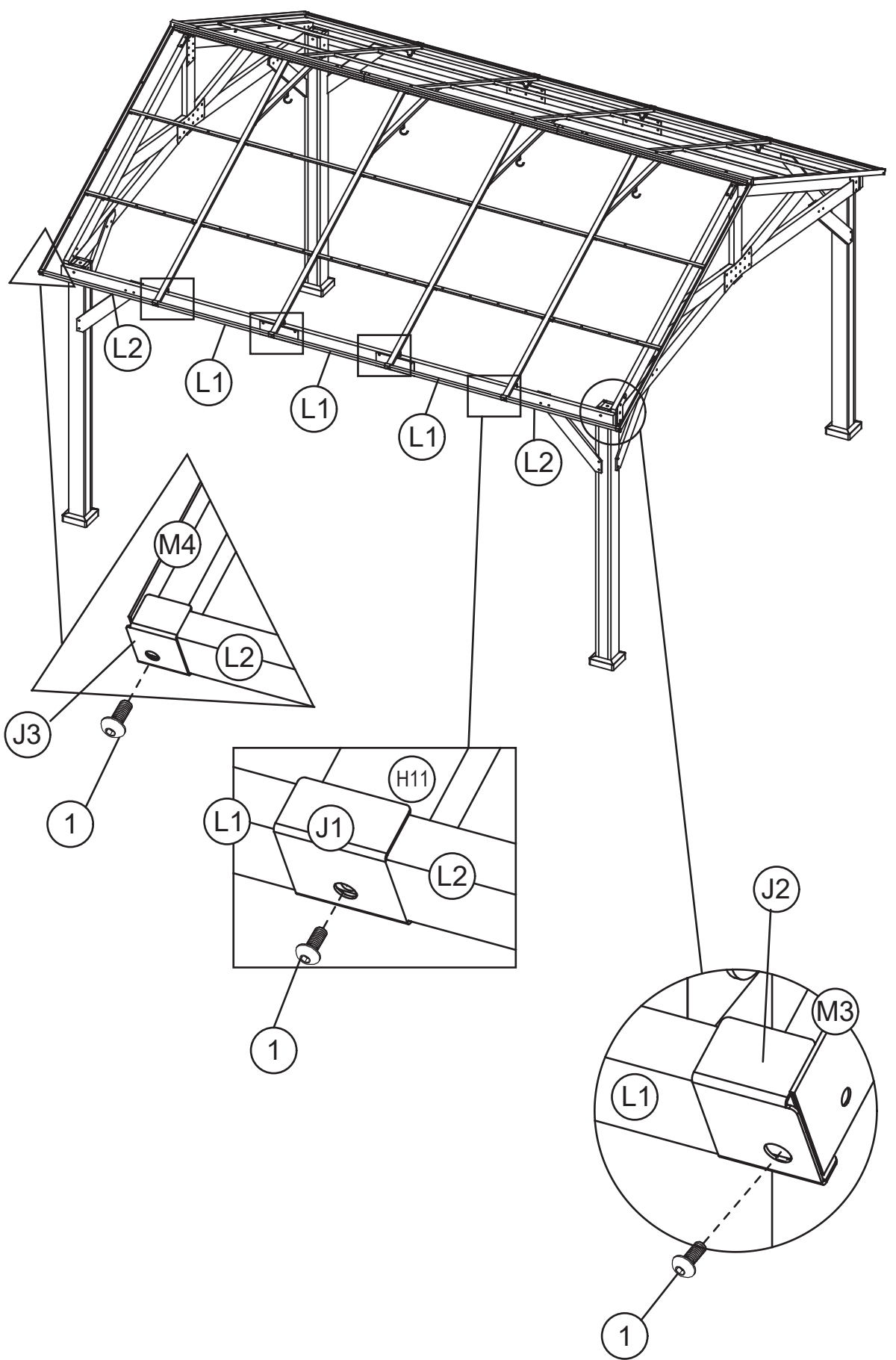


J3 2x

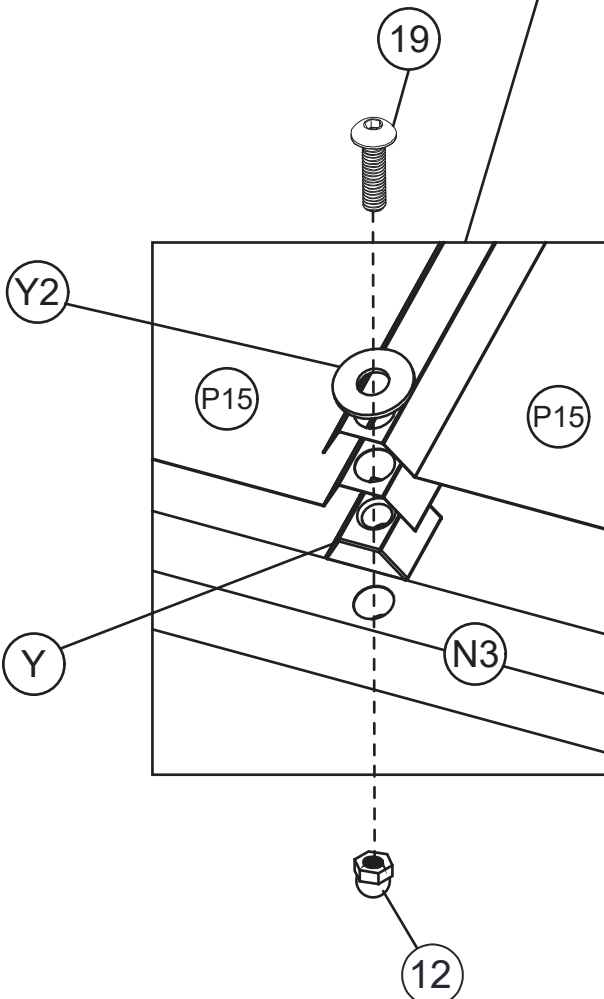
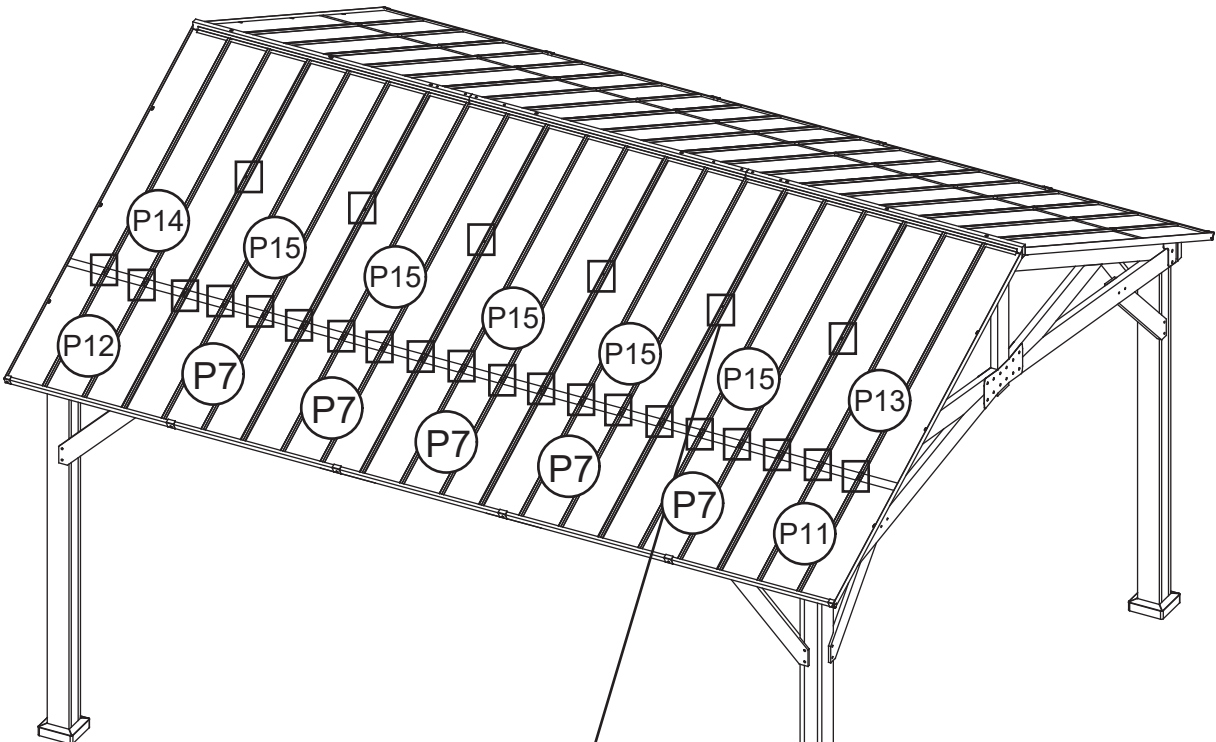
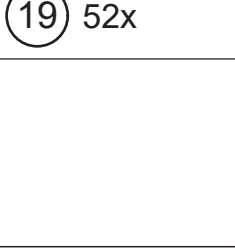
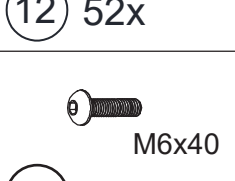
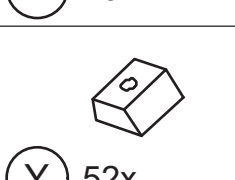
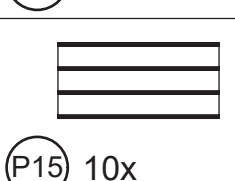
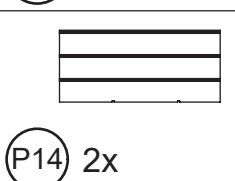
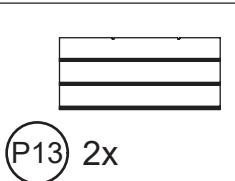
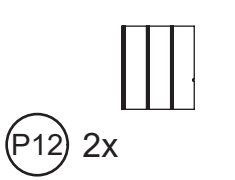
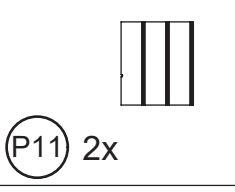
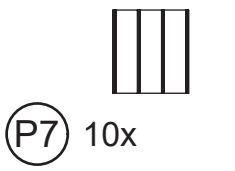


M6x15

1 12x



<15>



<16>



(R4) 2x



(R5) 1x

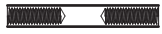


(Y2) 8x



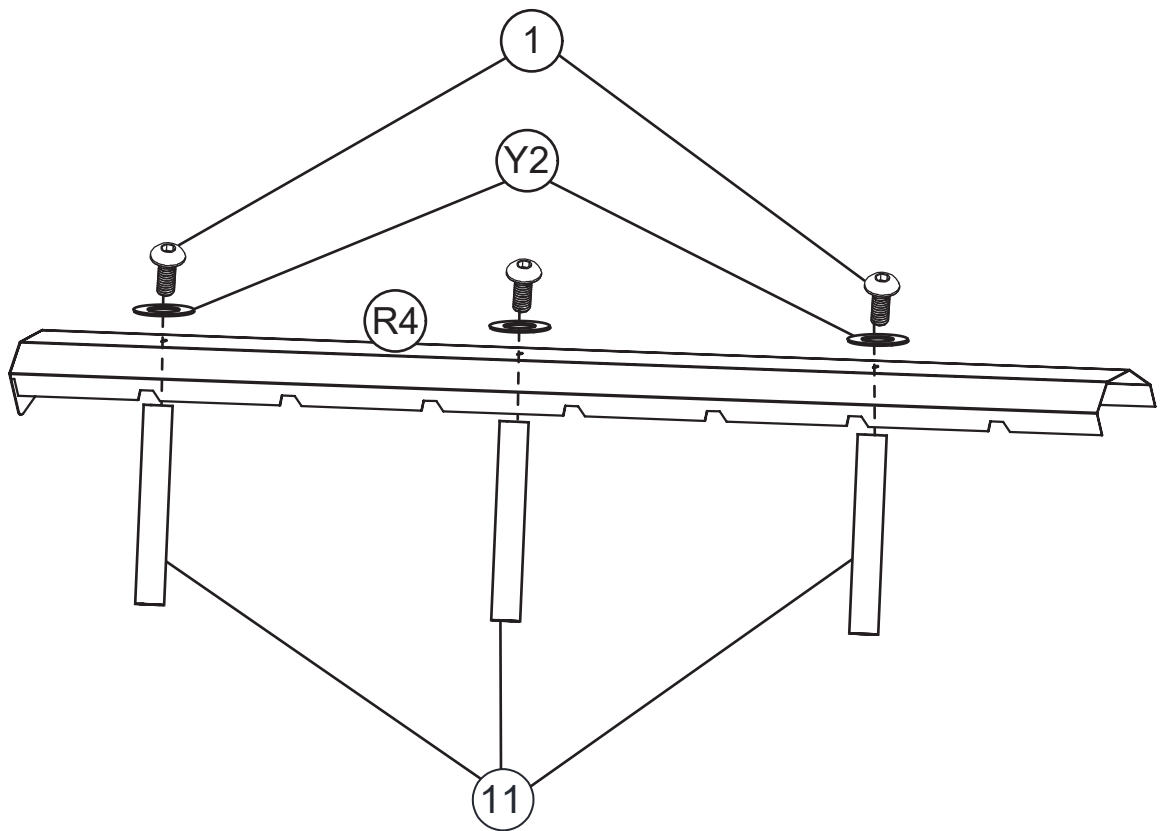
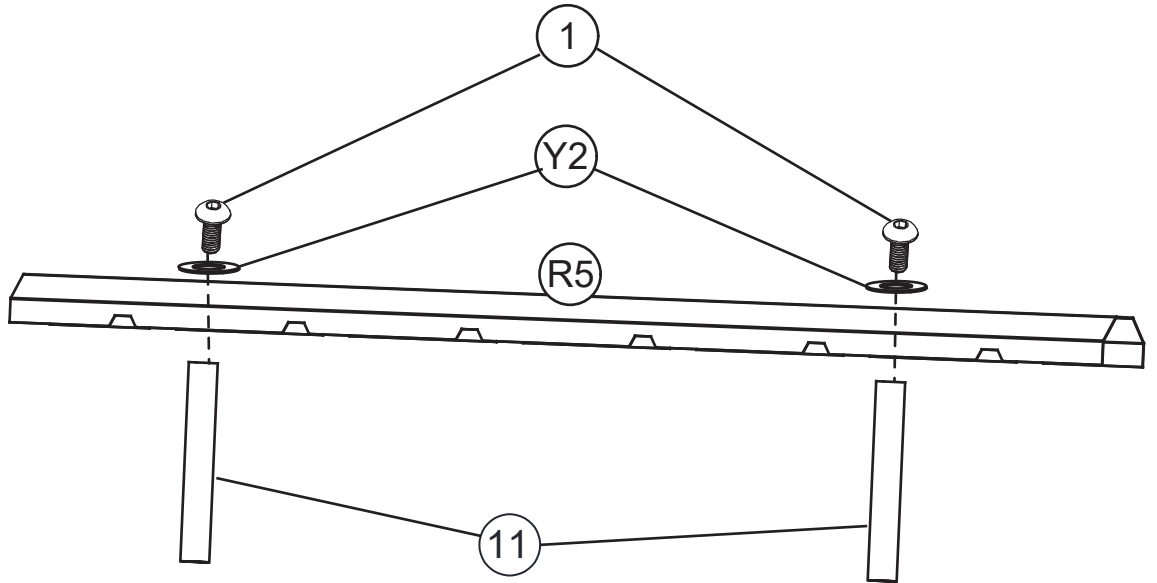
M6x15

(1) 8x



Φ8*65

(11) 8x

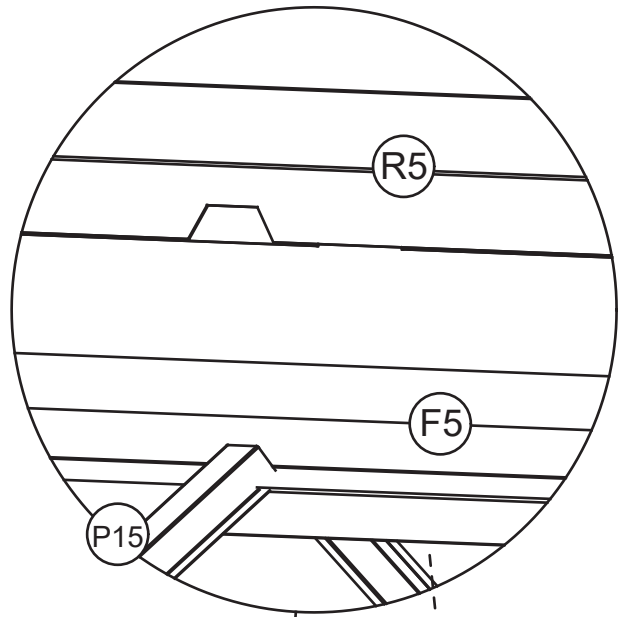




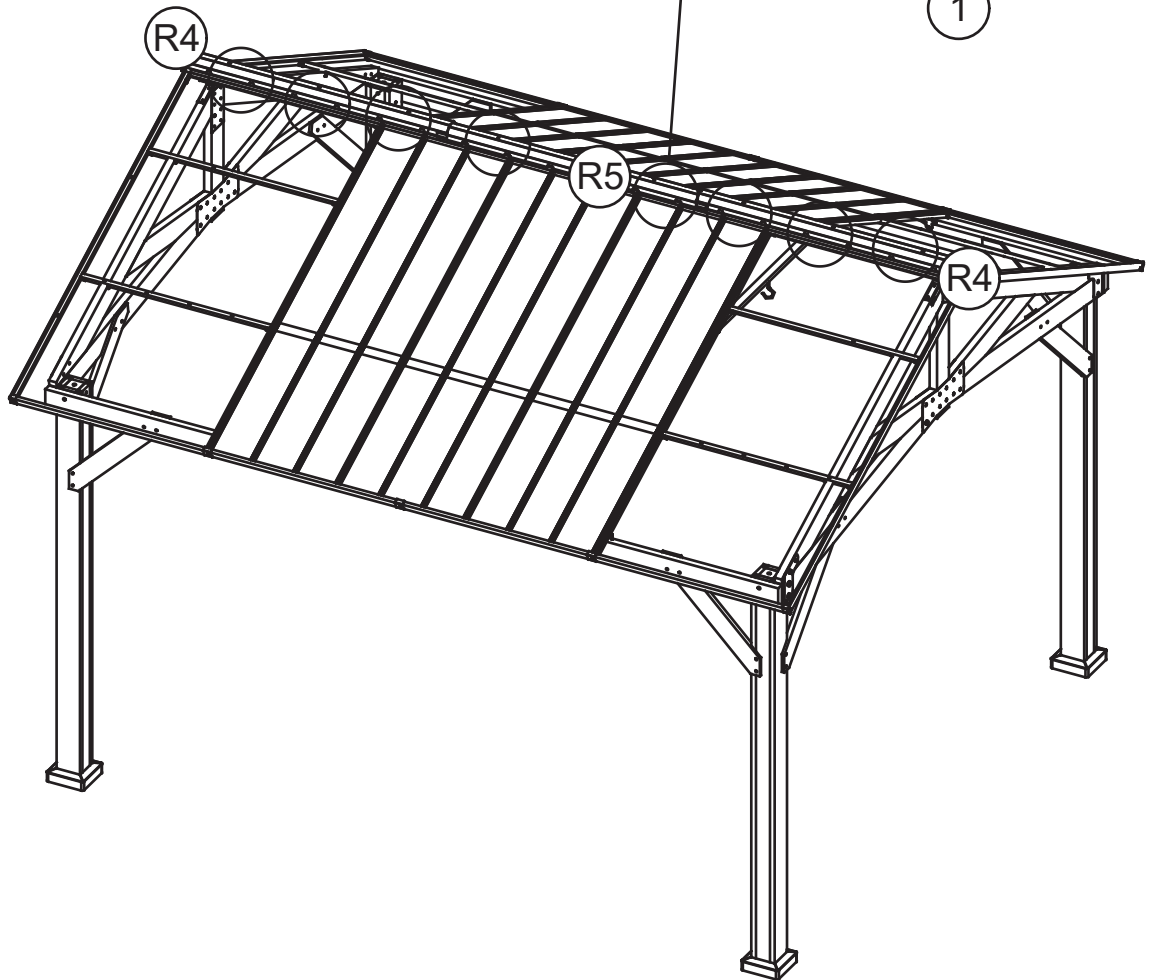
M6x15

1 8x

<17>



1



<18>

U1 4x



Y2 12x



M6x15

1 12x

