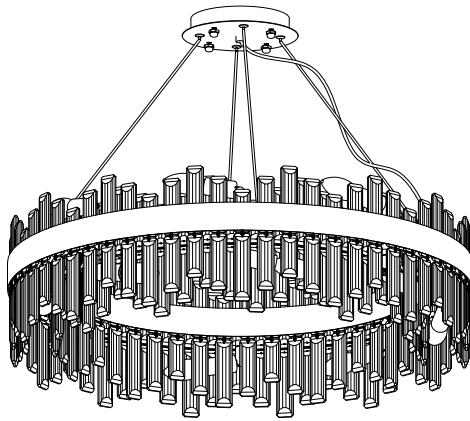


# Manual Book

Crystal Chandelier



# Safety Rules

**WARNING: BE SURE THE ELECTRICITY TO THE WIRES YOU ARE WORKING ON IS SHUT OFF; EITHER THE FUSE IS REMOVED OR THE CIRCUIT BREAKER IS TURNED OFF. TURNING THE POWER OFF USING THE LIGHT SWITCH IS NOT SUFFICIENT TO PREVENT ELECTRICAL SHOCK.**

**NOTE:** The important safeguards and instructions appearing in this manual are not meant to cover all possible conditions or situations that may occur. It must be understood that common sense, caution, and care, are factors which cannot be built into any product. These factors must be supplied by the person(s) installing this unit.

## READ & SAVE THESE INSTRUCTIONS

**CAUTION:** Before assembling the lighting fixture, refer to the section titled Wiring Connections. If you feel you do not have enough electrical wiring experience, either refer to a do-it-yourself wiring handbook or have your lighting fixture installed by a qualified, licensed electrician.

## INSTALLATION & OPERATION INSTRUCTIONS GENERAL

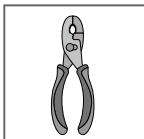
Before starting the installation, disconnect the power by turning off the circuit breaker or by removing the appropriate fuse at the fuse box. Turning the power off using the light switch is not sufficient to prevent electrical shock.

All electrical connections must be in accordance with local and National Electrical Code (NEC) standards. If you are unfamiliar with proper electrical wiring connections, obtain the services of a qualified electrician.

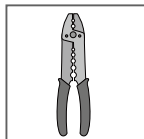
# 1. Tools You Need



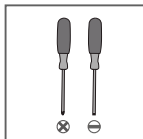
Ladder



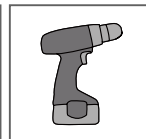
Pliers



Wire Strippers



Screwdrivers

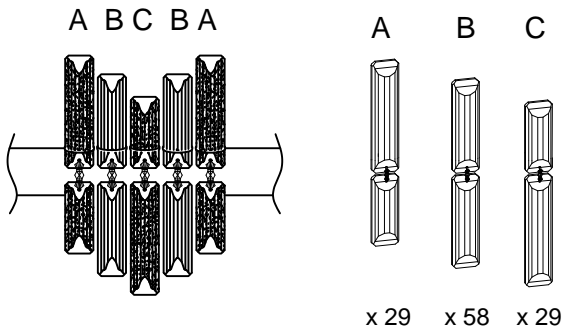
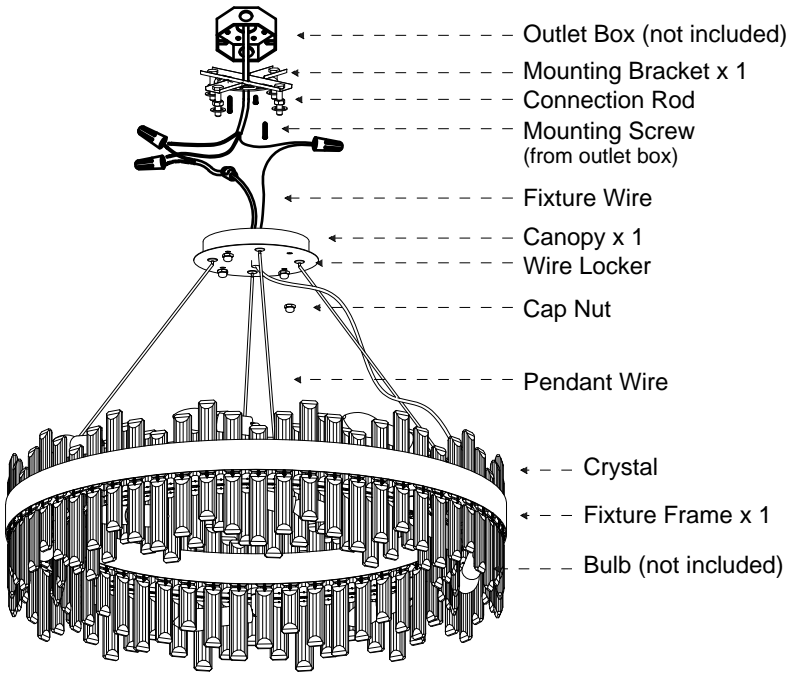


Power Drill (optional)



Drill Bit (optional)

## 2. Packing List



# 3. Mounting and Wiring

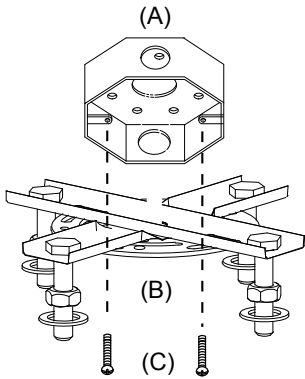


Fig 1



Fig. 2

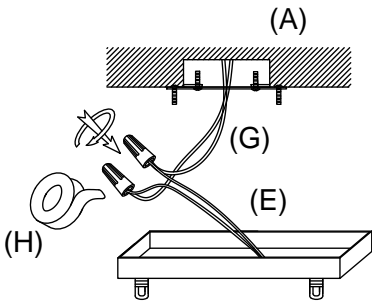


Fig. 3

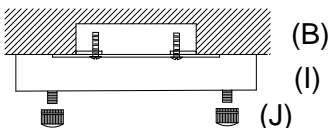


Fig. 4

## 1. Mount the Bracket

Take off screws from outlet box (A).  
Secure the mounting plate (B) onto the box with screws (C) taken off (Fig. 1).

## 2. Connect the Wires

**Step 1:** Press the wire locker and adjust the hanging wire to get a proper height (Fig. 2).

**Step 2:** Connect the fixture wires (E) to the house wires (G), black or brown to live wire, white or green to neutral wire, green/bare copper/yellow and green wire to ground wire. Wrap the connectors with electrical tape (H) separately.

**Step 3:** Spread apart the wires so that the live wires are on one side of the outlet box and the neutral wires are on the other side (Fig. 3).

## 3. Fix the Canopy

Fix the canopy (I) onto the (B) with nut (J) provided (Fig. 4).

## 4. Adjust the Balance

Adjust the wire length by pressing the wire locker on the canopy to get it level (Fig. 2).

# 4. Fixture Assembly

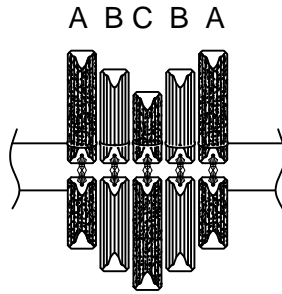
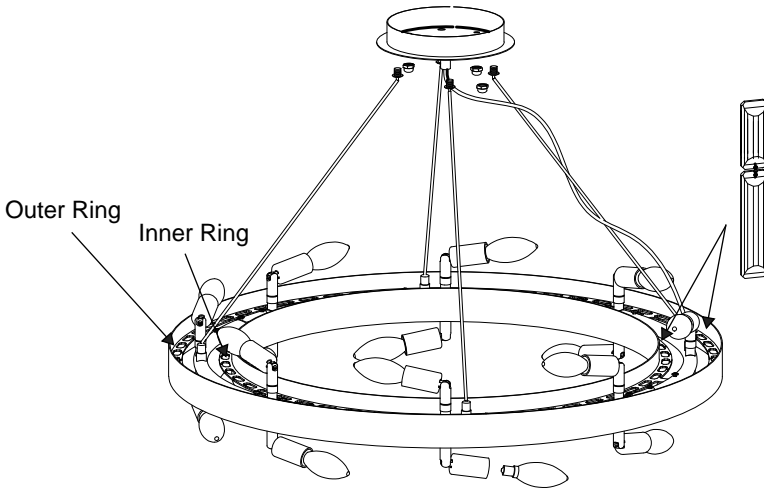


Fig. 5

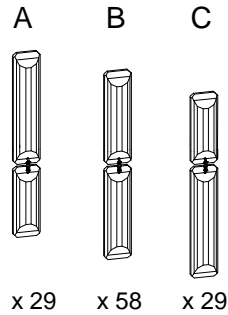


Fig. 6

1. Hook the crystals together as strand A, B and C (fig. 6).
2. Place the crystal strands ABC alternatively onto the holes from the inner to outer frames (fig. 5).
3. Install light bulbs (E12 x 16, Max 40W each, LED recommended).

# Trouble Shooting

## **1. Missing / Broken Parts**

- Make a list of the missing/broken parts according to the packing list, take photos for broken parts, then email us for free replacements.

## **2. Bulbs Do Not Light Up**

- Check your power and switch to make sure it's power on.
- Check the bulb to make sure it's installed correctly.
- Change a new bulb.
- Check the wires to make sure they are connected correctly.

## **3. Bulbs Flicker / Noisy Operation**

- Check the bulb to make sure it's installed correctly.
- Change a new bulb.
- Make sure your bulb is dimmable if you use a dimmer switch.

## **4. Could Not Install / Assemble**

- Take photos of the ceiling / fixture, contact seller for technical support.

## **Clean And Care**

To clean, wipe fixture with soft cloth. Spray from chemical cleaners can discolor the finish of fixture. Do not use scouring pads, powders, steel wool or abrasive paper to clean this fixture.

## **Ordering Parts**

Keep this manual for future reference, and in case replacement parts are needed. Available parts can be ordered from place of purchase. Use exact wording from diagrams when ordering parts.