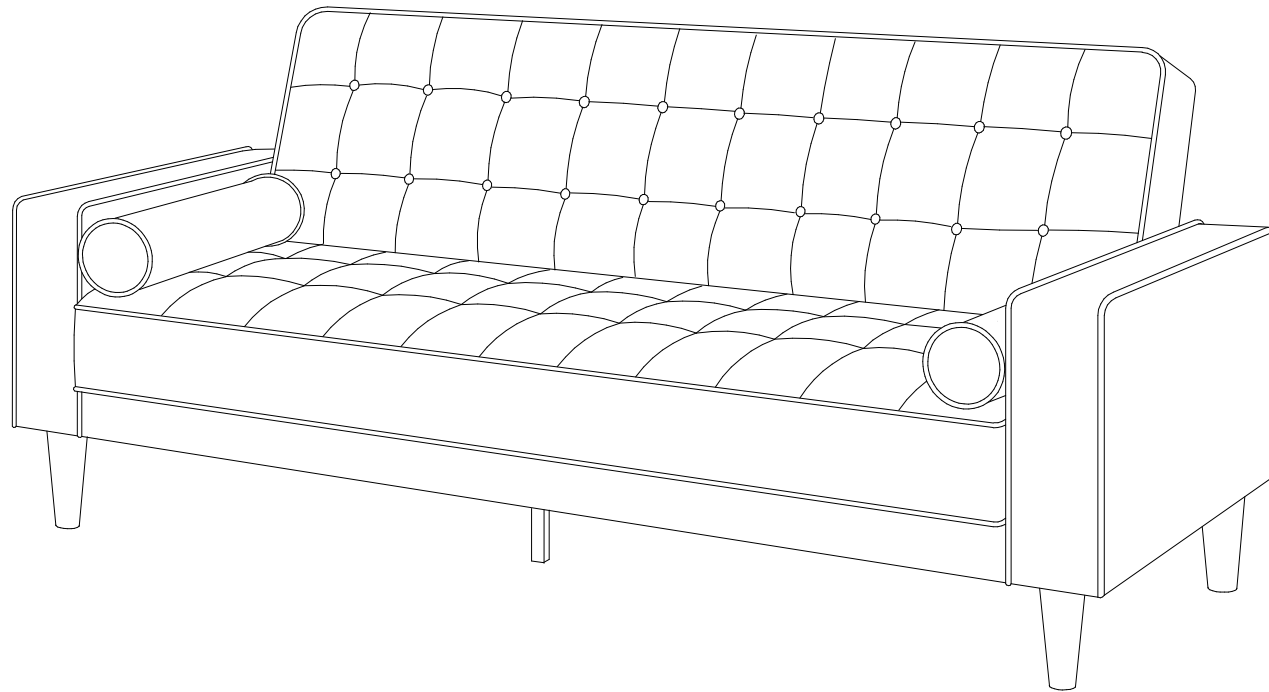
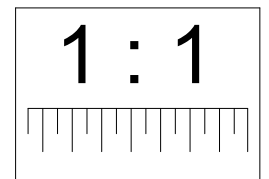
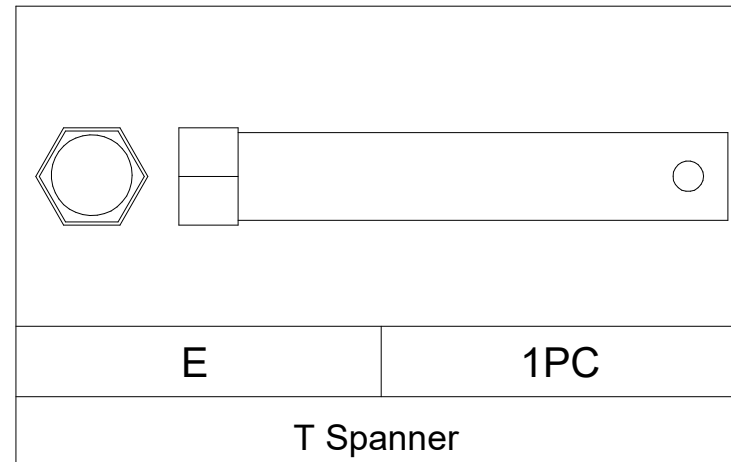
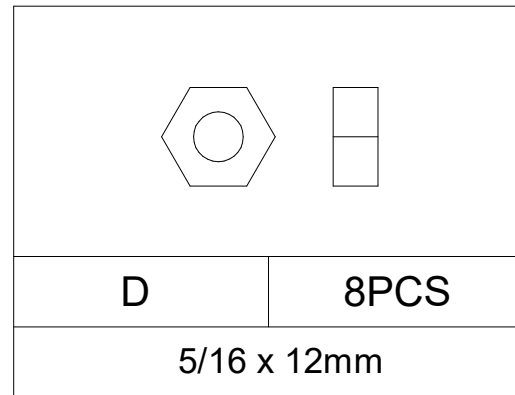
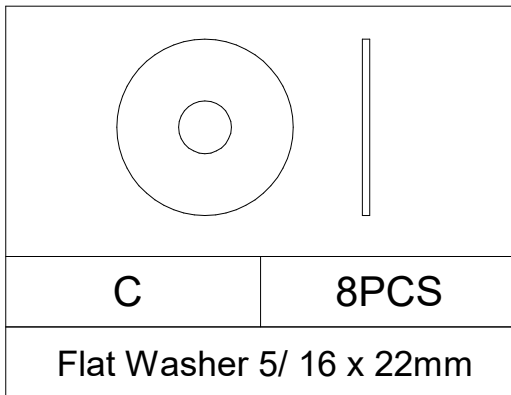
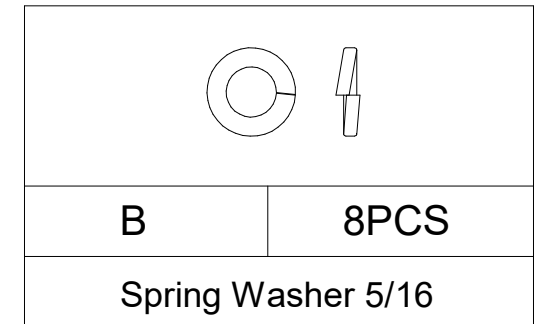
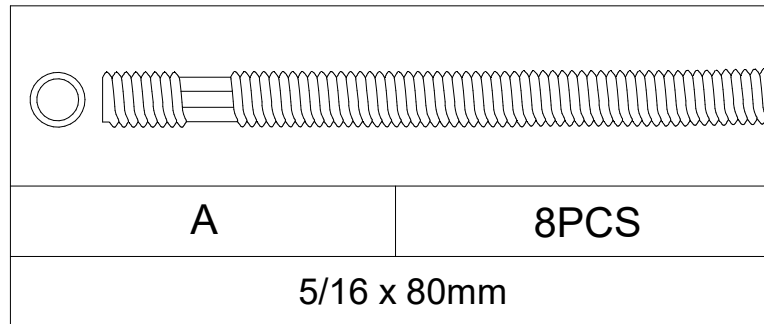
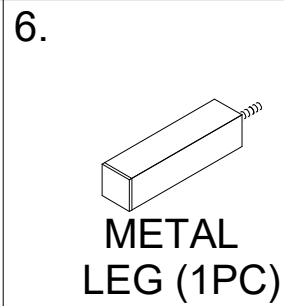
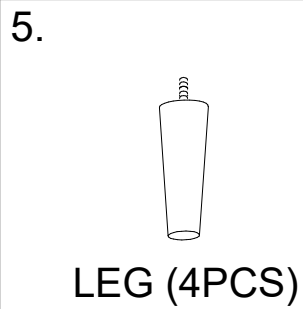
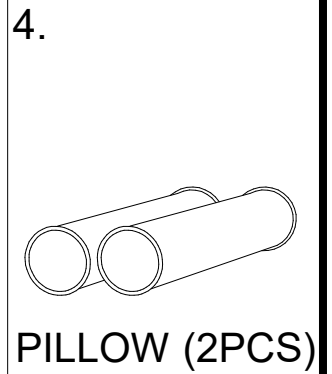
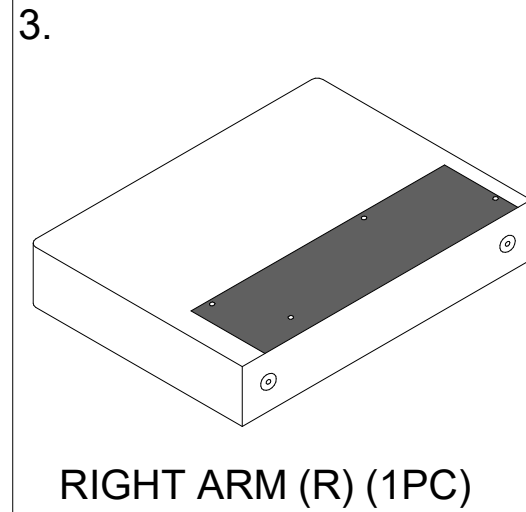
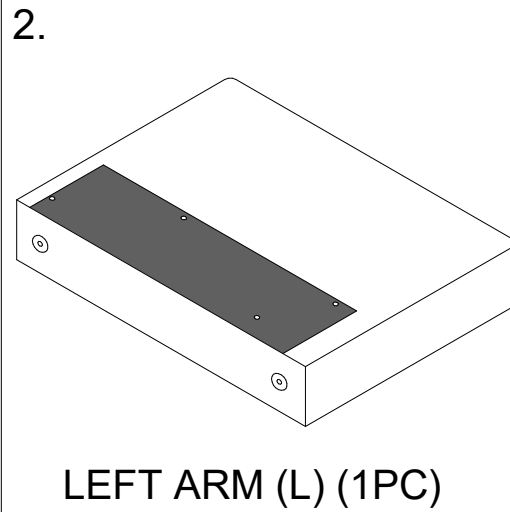
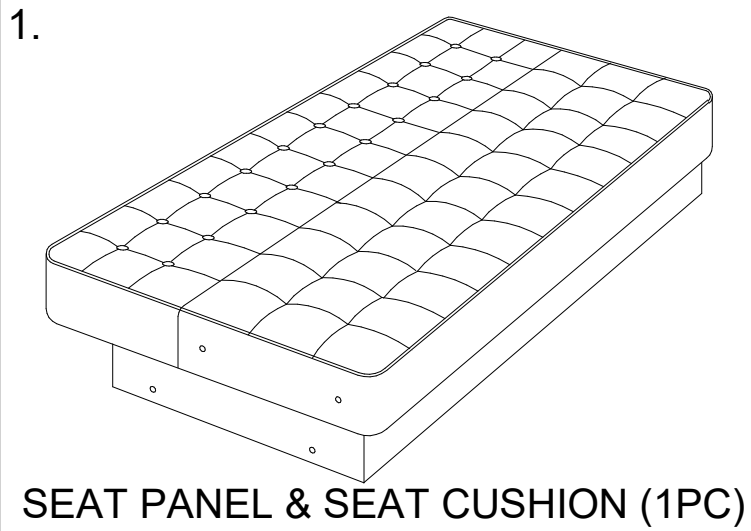


Attention:  
Two people are required for assembly and lifting unit.

# ASSEMBLY INSTRUCTION



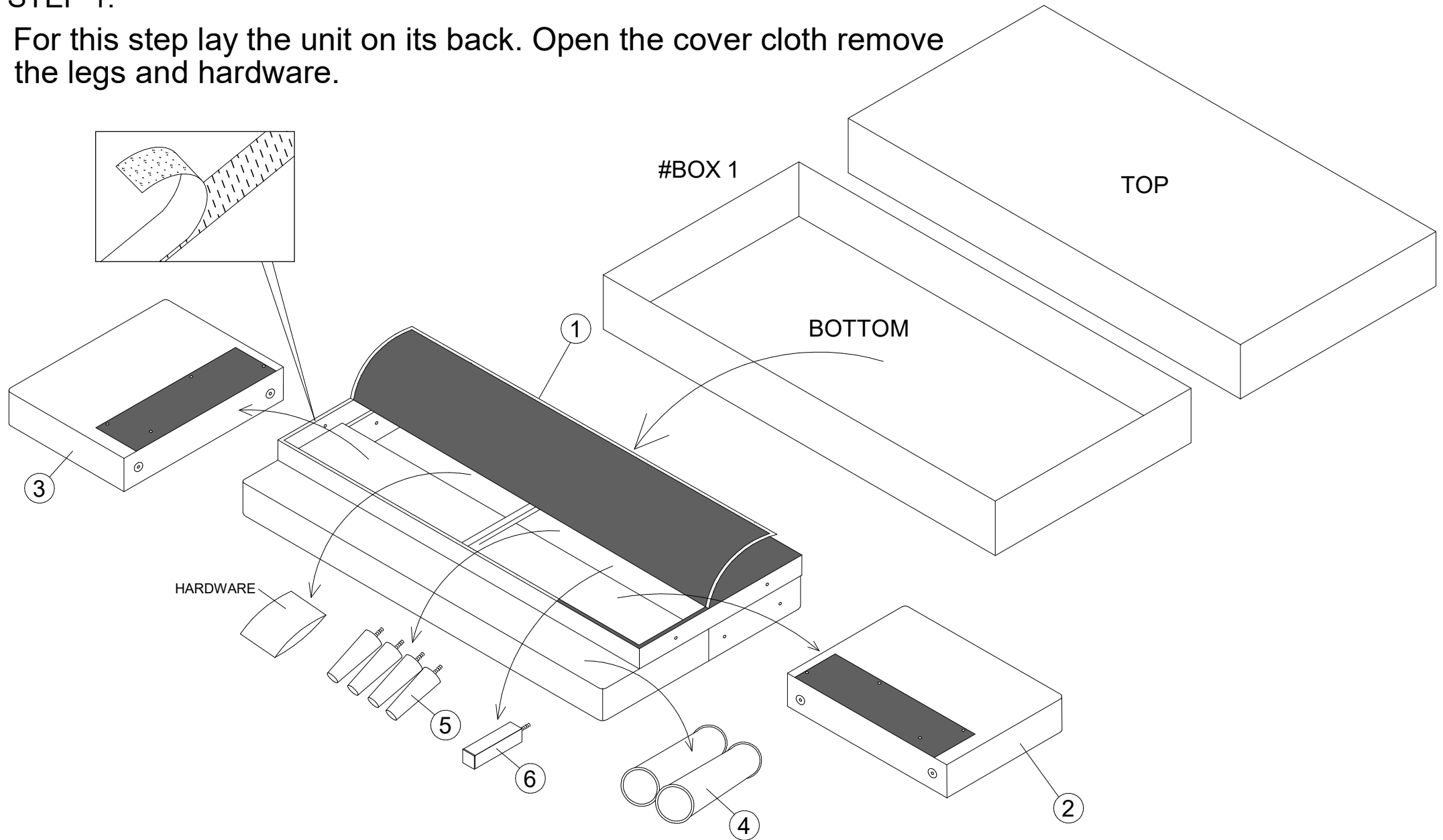
# ASSEMBLY PART & HARDWARE LIST



# ASSEMBLY INSTRUCTION

## STEP 1.

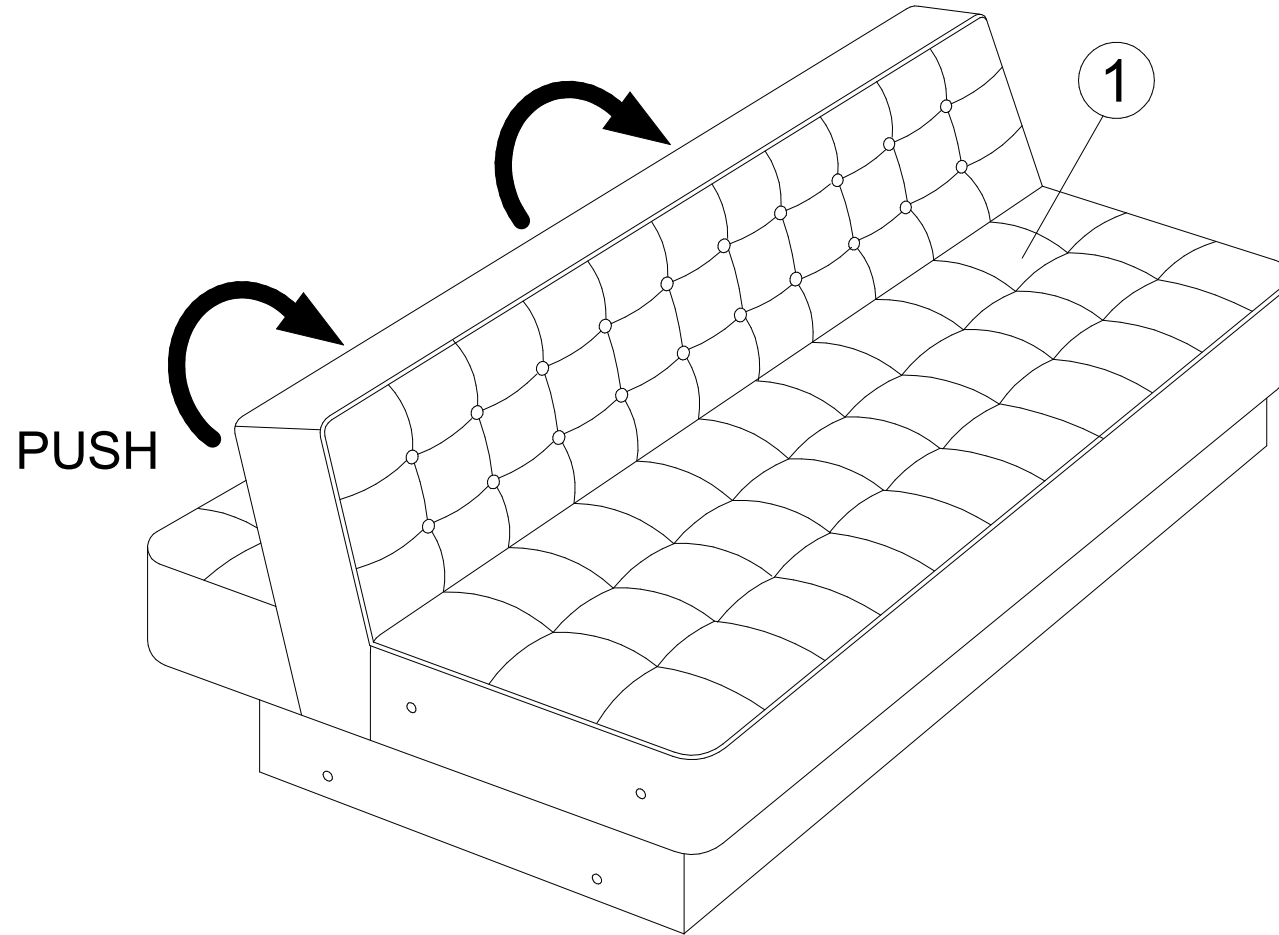
For this step lay the unit on its back. Open the cover cloth remove the legs and hardware.



# ASSEMBLY INSTRUCTION

STEP 2.

Push back upward.

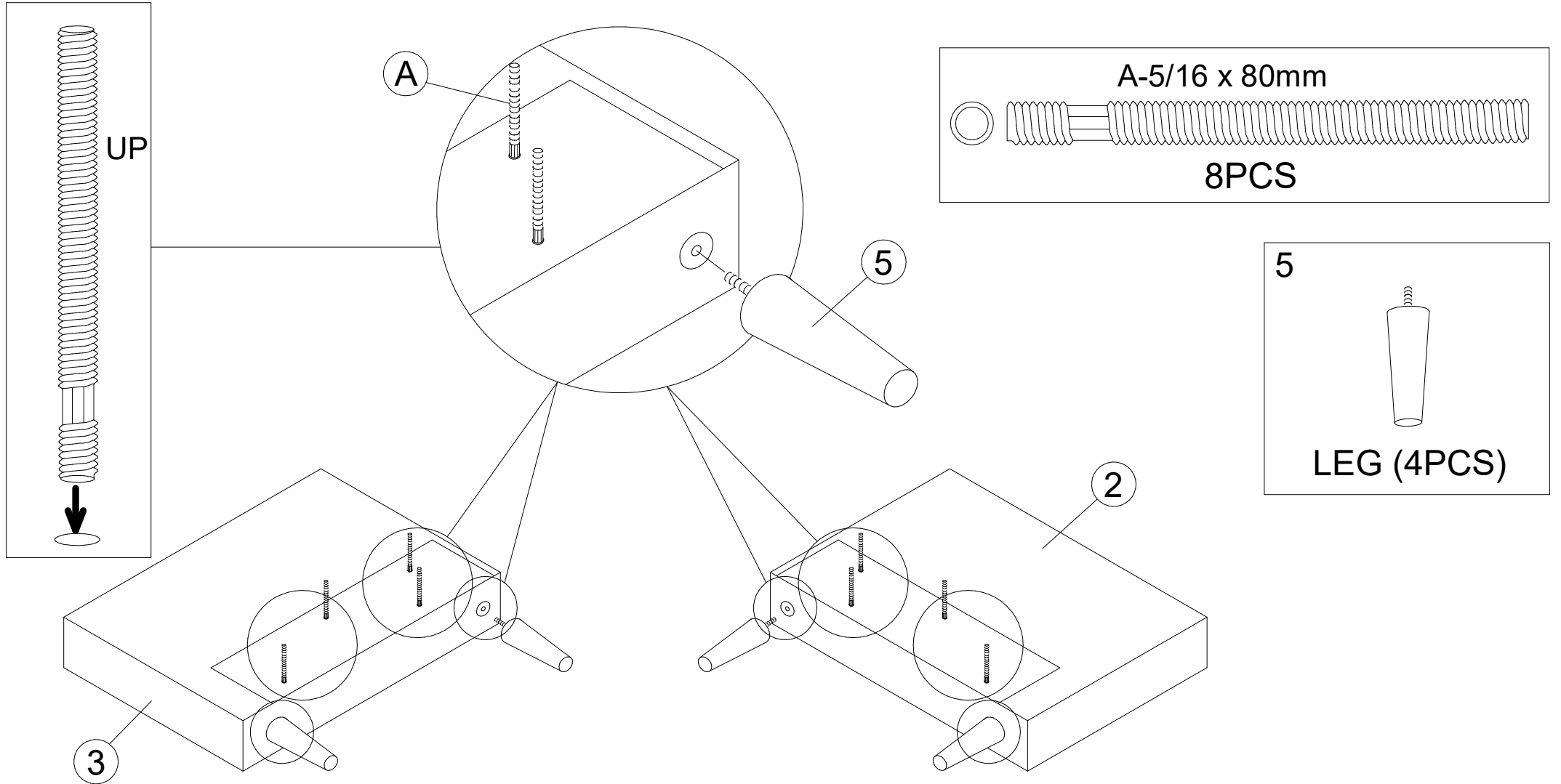


# ASSEMBLY INSTRUCTION

## STEP 3.

Attach 5/16 x 80mm (A) (8pcs) to the Left Arm (L) (2) and Right Arm (R) (3).

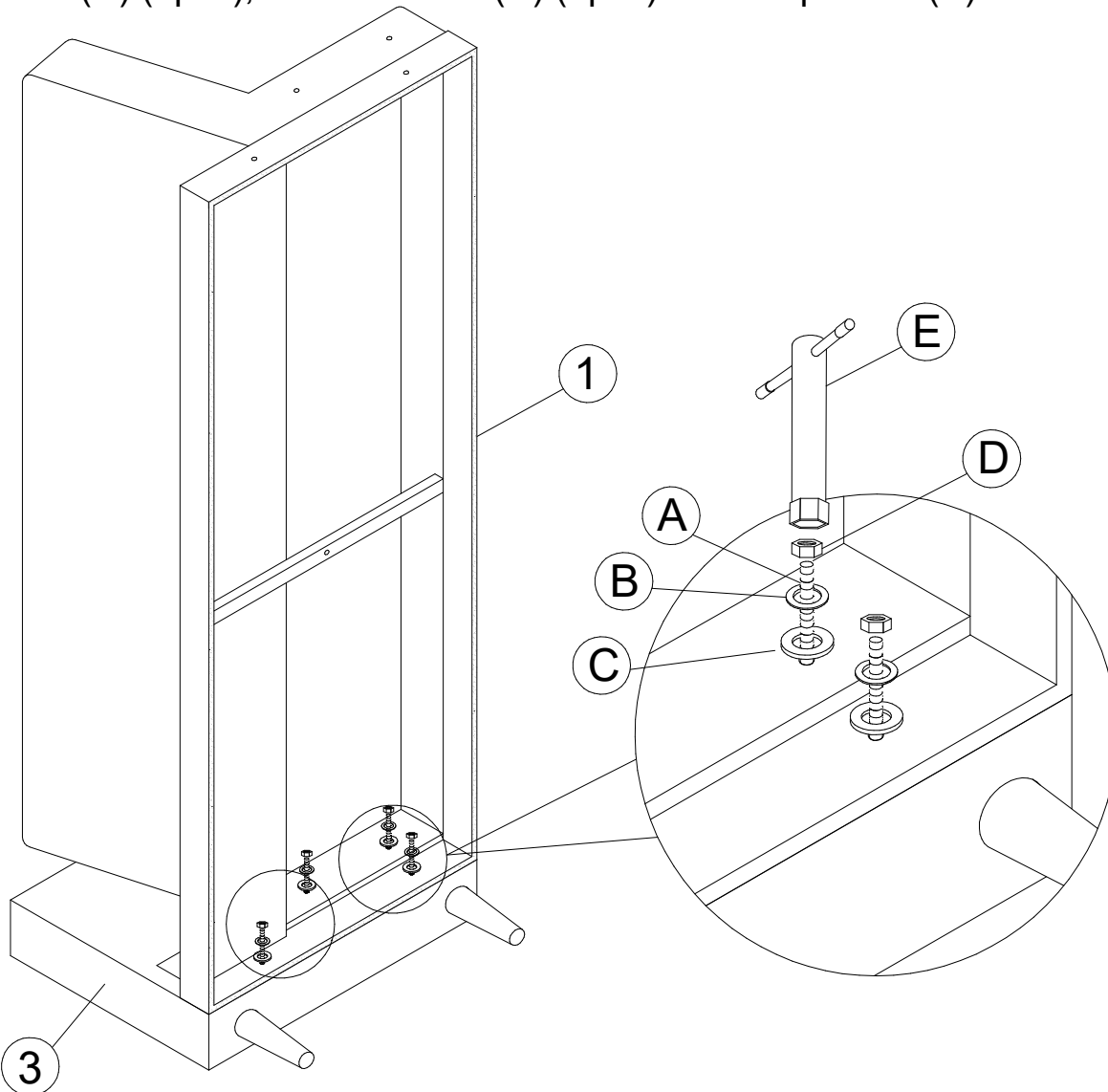
Attach Legs (5) (4pcs) to the Left Arm (L) (2) and Right Arm (R) (3). Legs should be tightened.



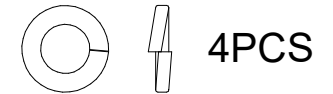
# ASSEMBLY INSTRUCTION

## STEP 4.

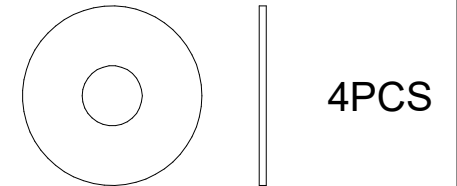
Attach the Left Arm (R) (3) to Seat Panel and Seat Cushion (1). Use Spring Washer 5/16 (B) (4pcs), Flat Washer 5/ 16 x 22mm (C) (4pcs), 5/16 x 12mm (D) (4pcs) and T Spanner (E) to fix.



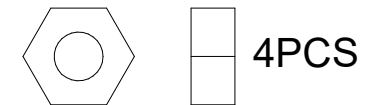
B-Spring Washer 5/16



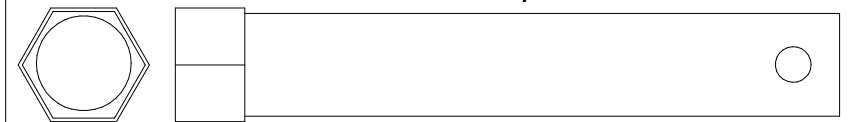
C-Flat Washer 5/ 16 x 22mm



D-5/16 x 12mm



E-T Spanner



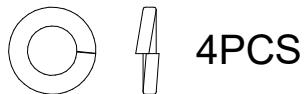
1PC

# ASSEMBLY INSTRUCTION

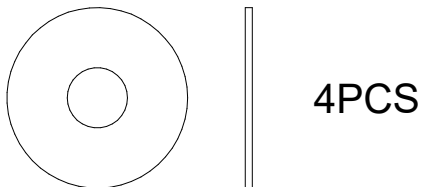
## STEP 5.

Attach the Left Arm (L) (2) to Seat Panel and Seat Cushion (1). Use Spring Washer 5/16 (B) (4pcs), Flat Washer 5/ 16 x 22mm (C) (4pcs), 5/16 x 12mm (D) (4pcs) and T Spanner (E) to fix.

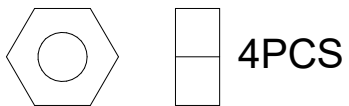
B-Spring Washer 5/16



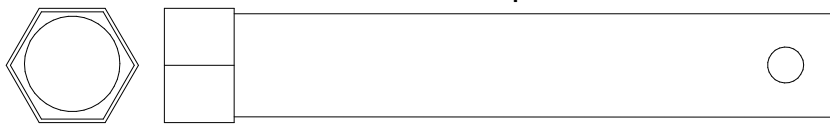
C-Flat Washer 5/ 16 x 22mm



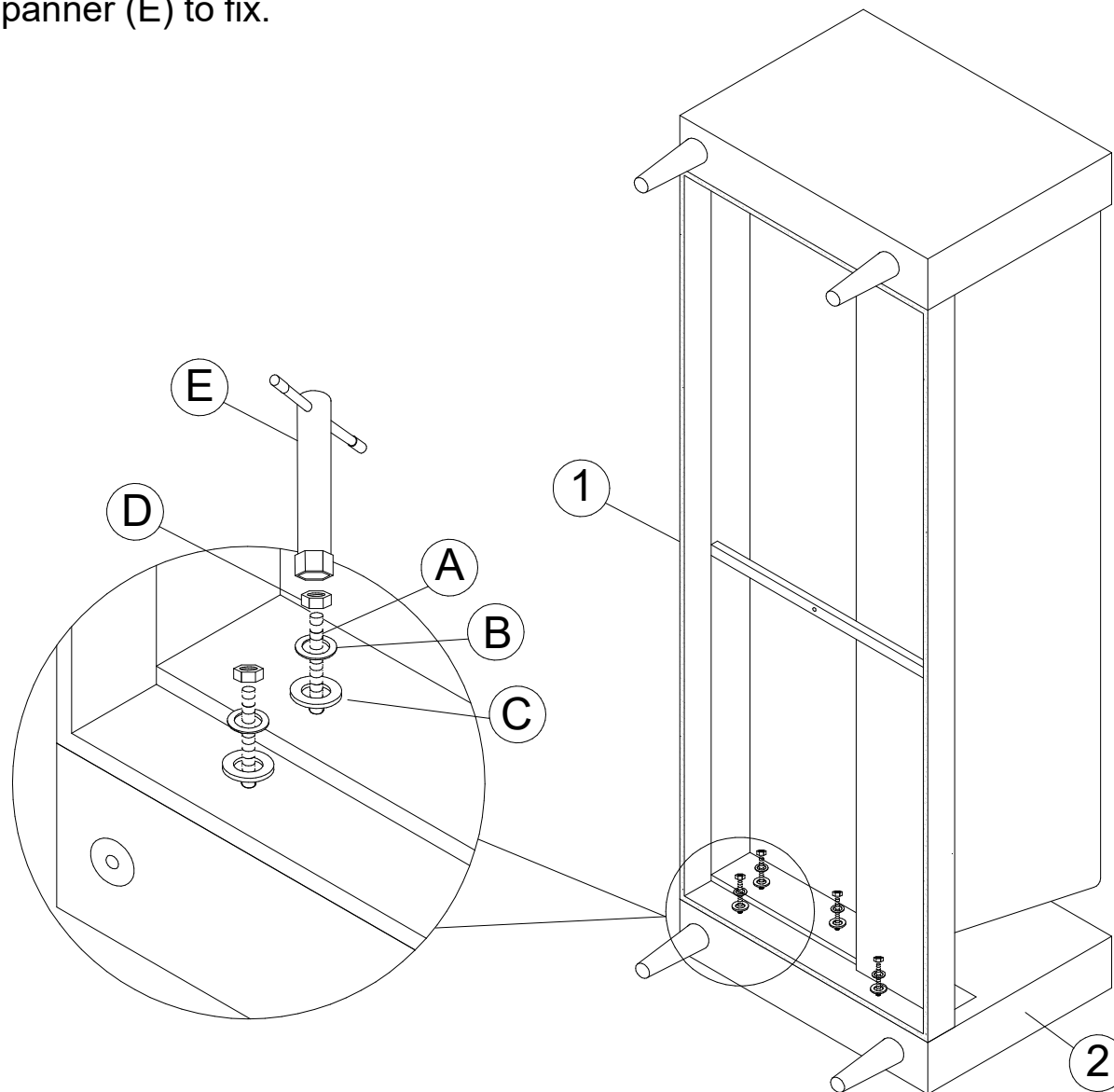
D-5/16 x 12mm



E-T Spanner

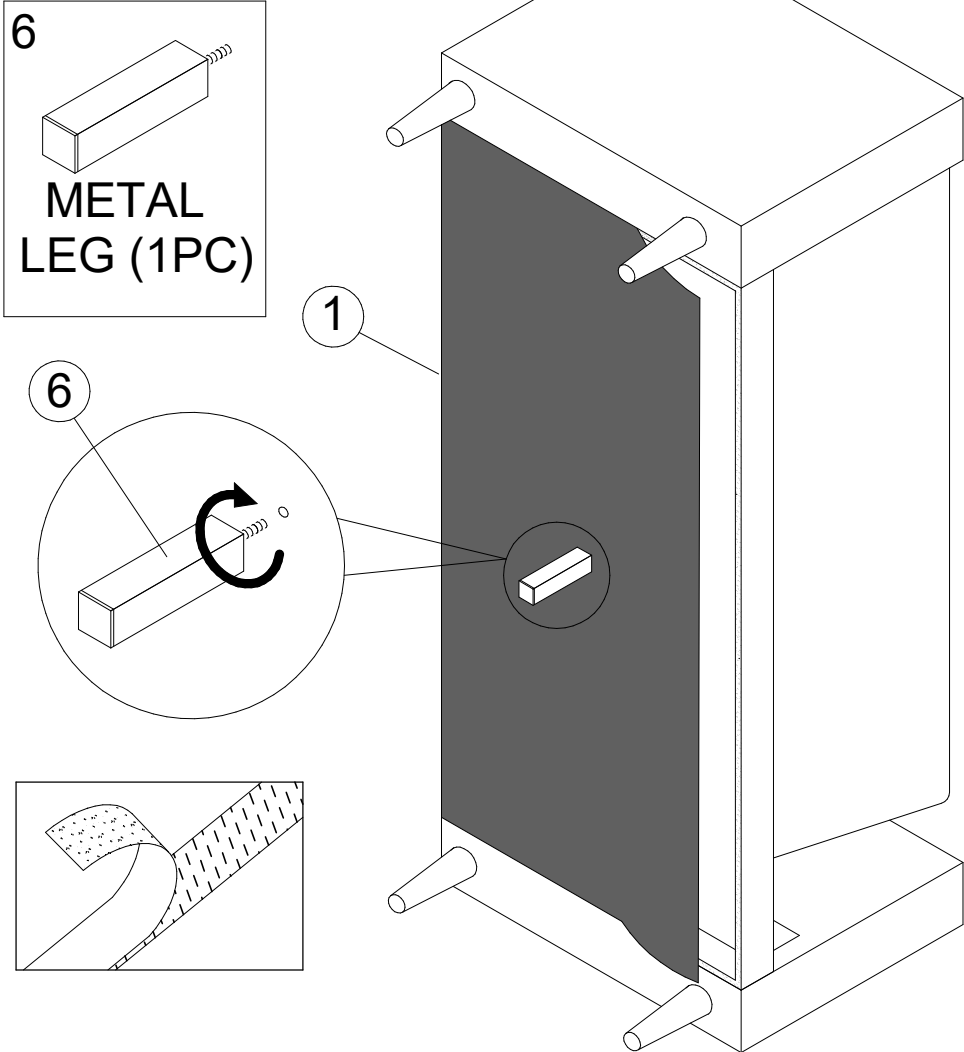


1PC



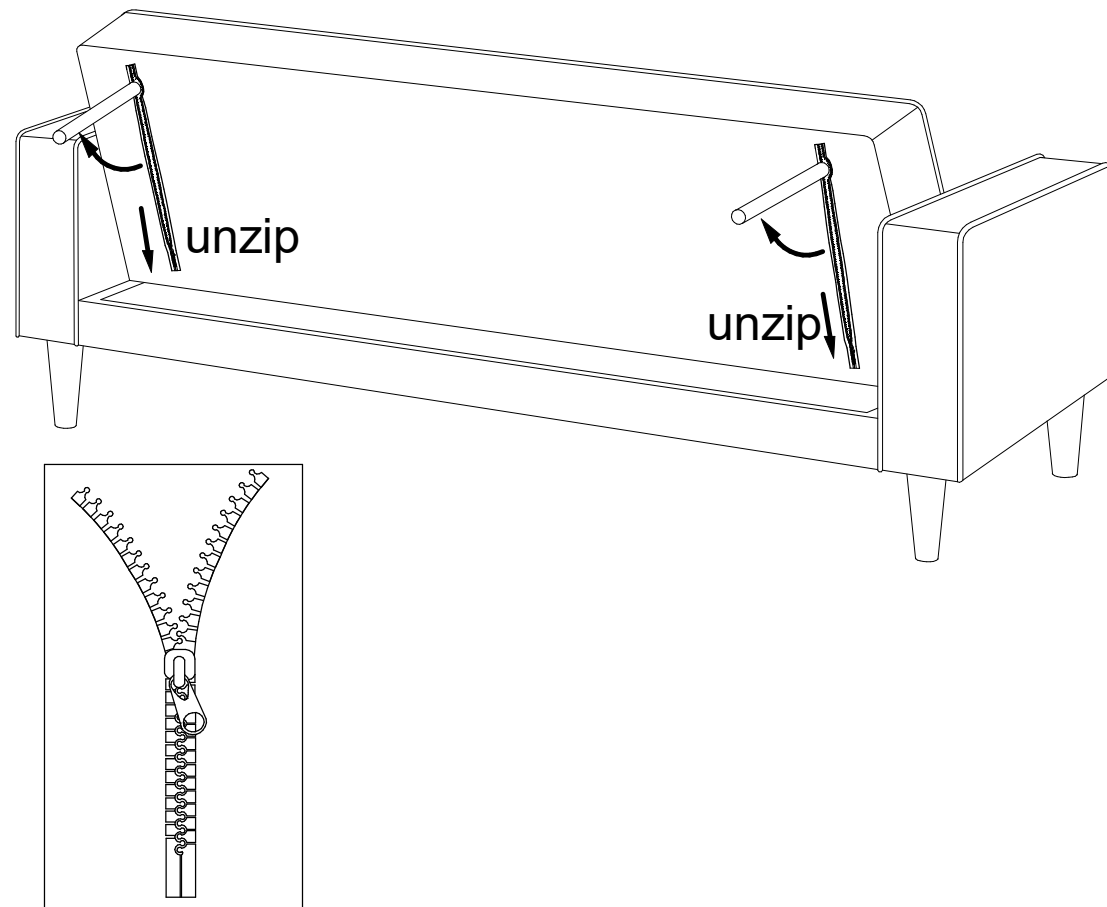
# ASSEMBLY INSTRUCTION

## STEP 6.



Take a Cover Cloth and closed with velcro.  
Attach Metal Leg (6) (1pc) to the seat panel (1).

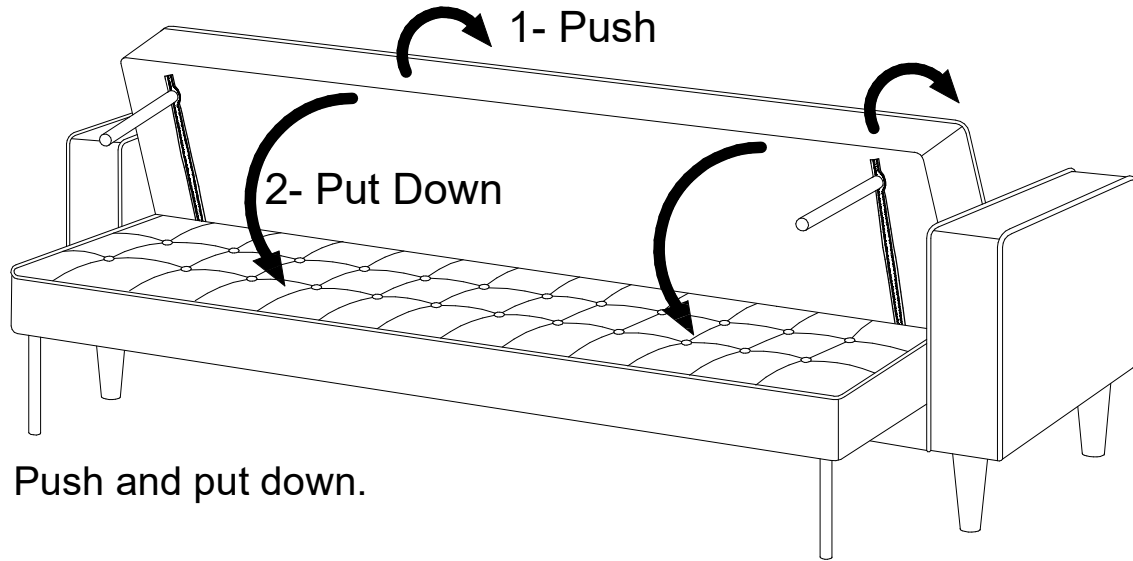
## STEP 7.



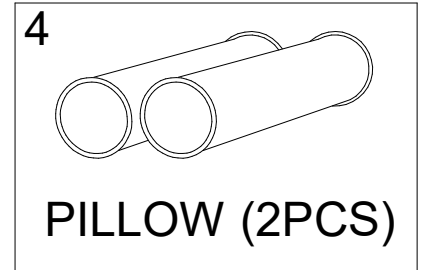
Open the zip and pull the legs out. Re-zip when leg pulled out.

# ASSEMBLY INSTRUCTION

STEP 8.



STEP 9.



Lay Pillows (4) (2pcs).

