

Installation Guide & User's Manual



WALL MOUNT RANGE HOOD

COS-63175	COS-668WRC75
COS-63190	COS-668WRC90
COS-63175S	COS-668WRCS75
COS-63190S	COS-668WRCS90
COS-668A750	
COS-668A900	
COS-668AS750	
COS-668AS900	

This manual is made with 100 % recycled paper.

Electronic version of this manual is available at: www.cosmoappliances.com

Thank You

Thank you for your purchase. We know that you have many brands and products to choose from and we are honored to know that you have decided to take one of our products into your home and hope that you enjoy it.

Our appliances are designed according to the strictest safety and performance standard for the North American market. We follow the most advanced manufacturing philosophy. Each appliance leaves the factory after thorough quality inspection and testing. Our distributors and our service partners are ready to answer any questions you may have regarding how to install, use and care for your range hood.

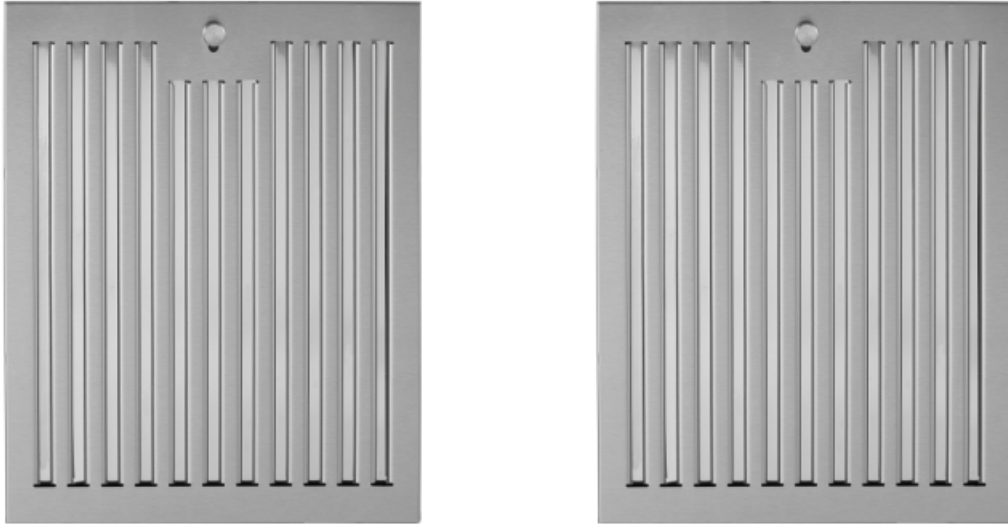
We hope that this manual will help you learn to use the product in the safest and most effective manner and care for it so that it may give you the highest satisfaction in cooking for years to come. If you have any questions or concerns, please contact the dealer from whom you purchased it, or contact our Customer Support at 1-888-784-3108.

The manual also includes directions for the professional installer that will install the product in your home. We recommend using trained personnel for professional installation.

Please keep this manual for future use



STAINLESS STEEL BAFFLE FILTERS



About Your New Filters

Stainless Steel Baffle Filters do not need linings or mesh inside of the filters and are completely constructed out of stainless steel. The stainless steel construction allows them to be used again after being cleaned or going through the dishwasher.

How do Baffle Filters Work?

They function by forcing the grease filled air to quickly and continuously change direction as it passes through the filter. The grease is unable to change direction as fast as the air carrying them, they end up getting caught on the metal blades and then trapped into the filter tray. These filters are both efficient and require less maintenance.

SEE PAGE 13 FOR INSTRUCTIONS ON INSTALLING FILTERS

IMPORTANT SAFETY INSTRUCTIONS

Read all instructions before using this appliance.

Save these instructions for future references

Approved for residential appliances

For residential use only

IMPORTANT SAFETY INSTRUCTIONS



CAUTION

FOR GENERAL VENTILATING USE ONLY. DO NOT USE TO EXHAUST HAZARDOUS OR EXPLOSIVE MATERIALS OR VAPORS.



CAUTION

To reduce risk of fire and to properly exhaust air, do not vent exhaust air into spaces within walls, ceilings, attics, crawl spaces, or garages.



WARNING

TO REDUCE THE RISK OF FIRE, USE ONLY METAL DUCT WORK. Install this hood in accordance with all requirements specified.



WARNING

TO REDUCE THE RISK OF FIRE, ELECTRIC SHOCK, OR INJURY TO PERSONS, OBSERVE THE FOLLOWING:

- A. Use this unit only in the manner intended by the manufacturer. If you have questions, contact the manufacturer
- B. Before servicing or cleaning the unit, switch power off at service panel and lock service panel disconnecting means to prevent power from being switched on accidentally. When the service disconnecting means cannot be locked, securely fasten a prominent warning device, such as a tag, to the service panel.
- C. Installation Work and Electrical Wiring Must Be Done By Qualified Person(s) In Accordance With all Applicable Codes & Standards, Including Fire-rated Construction.
- D. Sufficient air is needed for proper combustion and exhausting of gases through the flue (Chimney) of fuel burning equipment to prevent back-drafting. Follow the heating equipment manufacturers guideline and safety standards such as those published by the National Fire Protection Association (NFPA), the American Society for Heating, Refrigeration and Air Conditioning Engineers (ASHRAE), and the local code authorities.
- E. When cutting or drilling into wall or ceiling, do not damage electrical wiring and other hidden utilities.
- F. Ducted systems must always be vented to the outdoors.



WARNING

To Reduce The Risk Of Fire Or Electric Shock, Do Not Use This Hood With Any External Solid State Speed Control Device.



WARNING

GROUNDING INSTRUCTIONS

This appliance must be grounded. In the event of an electrical short circuit, grounding reduces the risk of electric shock by providing an escape wire for the electric current. This appliance is equipped with a cord having a grounding wire with a grounding plug. The plug must be plugged into an outlet that is properly installed and grounded.

WARNING - IMPROPER GROUNDING CAN RESULT IN A RISK OF ELECTRIC SHOCK.

Consult a qualified electrician if the grounding instructions are not completely understood, or if doubt exists as to whether the appliance is properly grounded.

Do not use an extension cord. If the power supply cord is too short, have a qualified electrician install an outlet near the appliance.



WARNING

TO REDUCE THE RISK OF INJURY TO PERSONS, IN THE EVENT OF A RANGE TOP GREASE FIRE, OBSERVE THE FOLLOWING:

A. **SMOTHER FLAMES** with a close - fitting lid, cookie sheet, or other metal tray, then turn off the gas burner or the electric element. **BE CAREFUL TO PREVENT BURNS.** If the flames do not go out immediately, **EVACUATE AND CALL THE FIRE DEPARTMENT.**

B. **NEVER PICK UP A FLAMING PAN** - you may be burned. **DO NOT USE WATER** including wet dishcloths or towels - a violent steam explosion will result.

Always leave safety grills and filters in place. Without these components, operating blowers could catch onto hair, fingers and loose clothing. The manufacturer declines all responsibility in the event of failure to observe the instructions given here for installation, maintenance and suitable use of the product. The manufacturer further declines all responsibility for injury due to negligence and the warranty of the unit automatically expires due to improper maintenance.



WARNING

Unplug or disconnect the appliance from the power supply before servicing.

TABLE OF CONTENTS

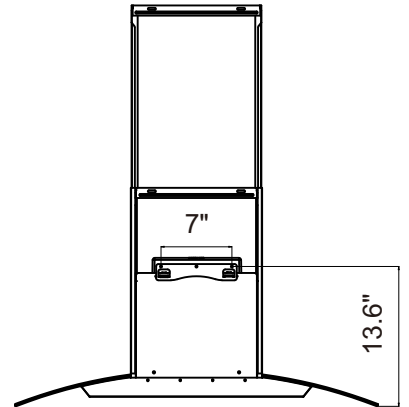
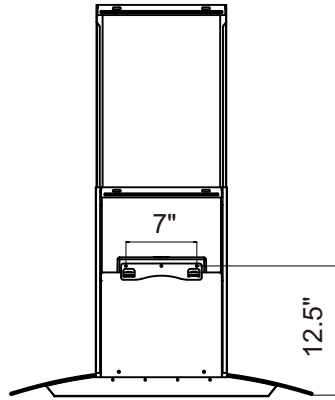
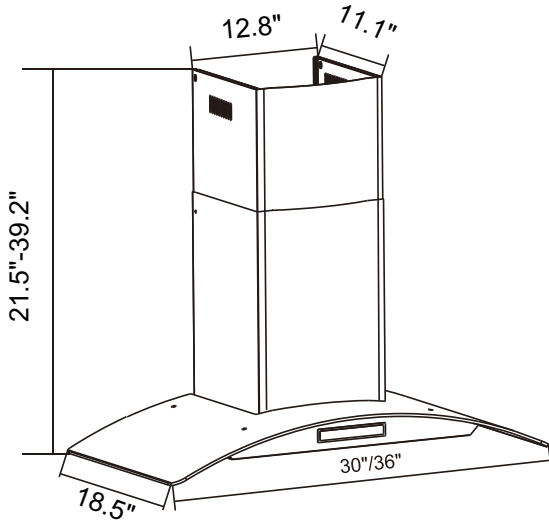
SAFETY INSTRUCTIONS _____	3
PARTS DIAGRAM _____	5-6
INSTALLATION REQUIREMENTS _____	7
PARTS LIST _____	8
RANGE HOOD INSTALLATION _____	9-11
BAFFLE FILTER INSTALLATION _____	12
DUCTLESS CONVERSION FILTERS _____	13
INSTALLING THE OIL CUP _____	14
PUSH BUTTON CONTROLS _____	15
SOFT TOUCH CONTROLS _____	16
MAINTENANCE _____	17
TROUBLESHOOTING _____	18
WARRANTY & SERVICE _____	19

PARTS DIAGRAM

668WRC75 - 668WRC90 - 668WRCS75 - 668WRCS90

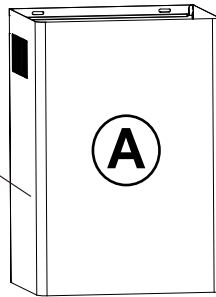
668A750 - 668A900 - 668AS750 - 668AS900

(Units with Glass Visor)

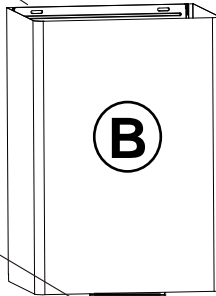


MAIN PARTS

1. Top Chimney (Inner Chimney)



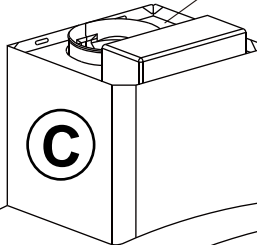
2. Bottom Chimney (Outer Chimney)



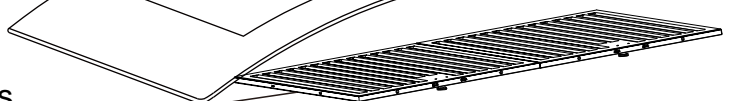
3. Exhaust Pipe

4. Core Unit

5. Tempered Glass

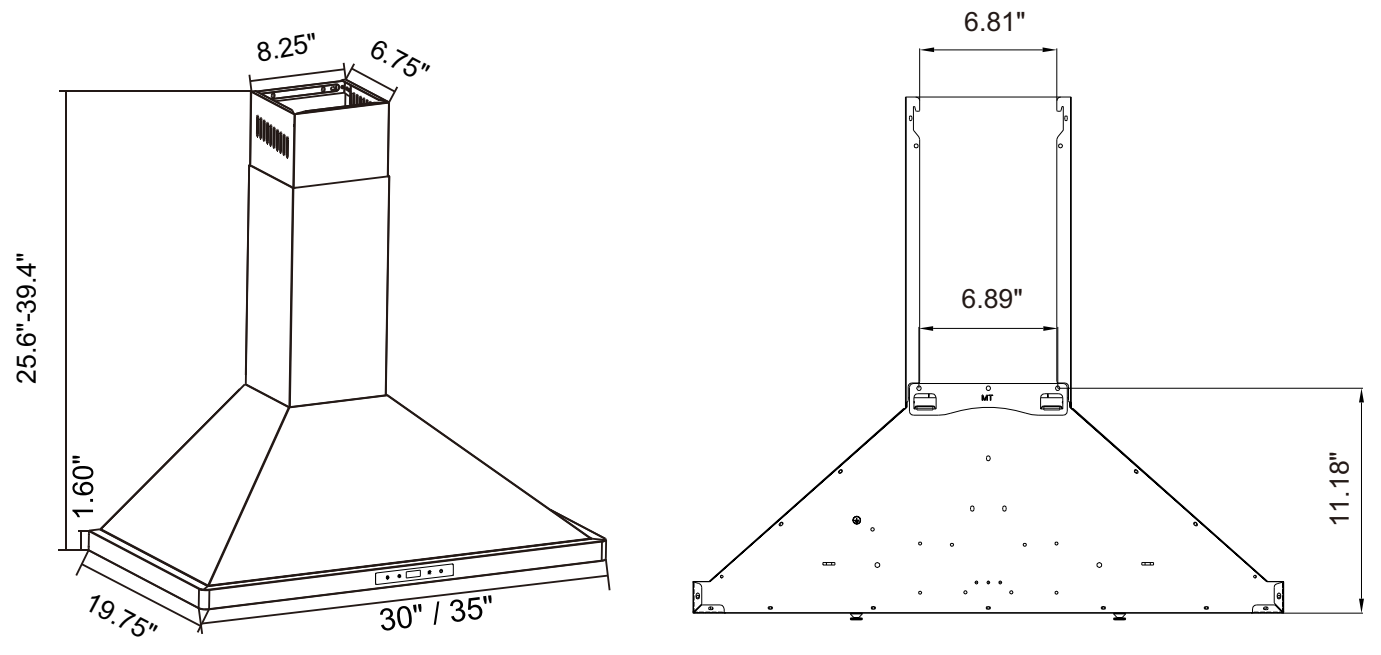


6. Grease Filters

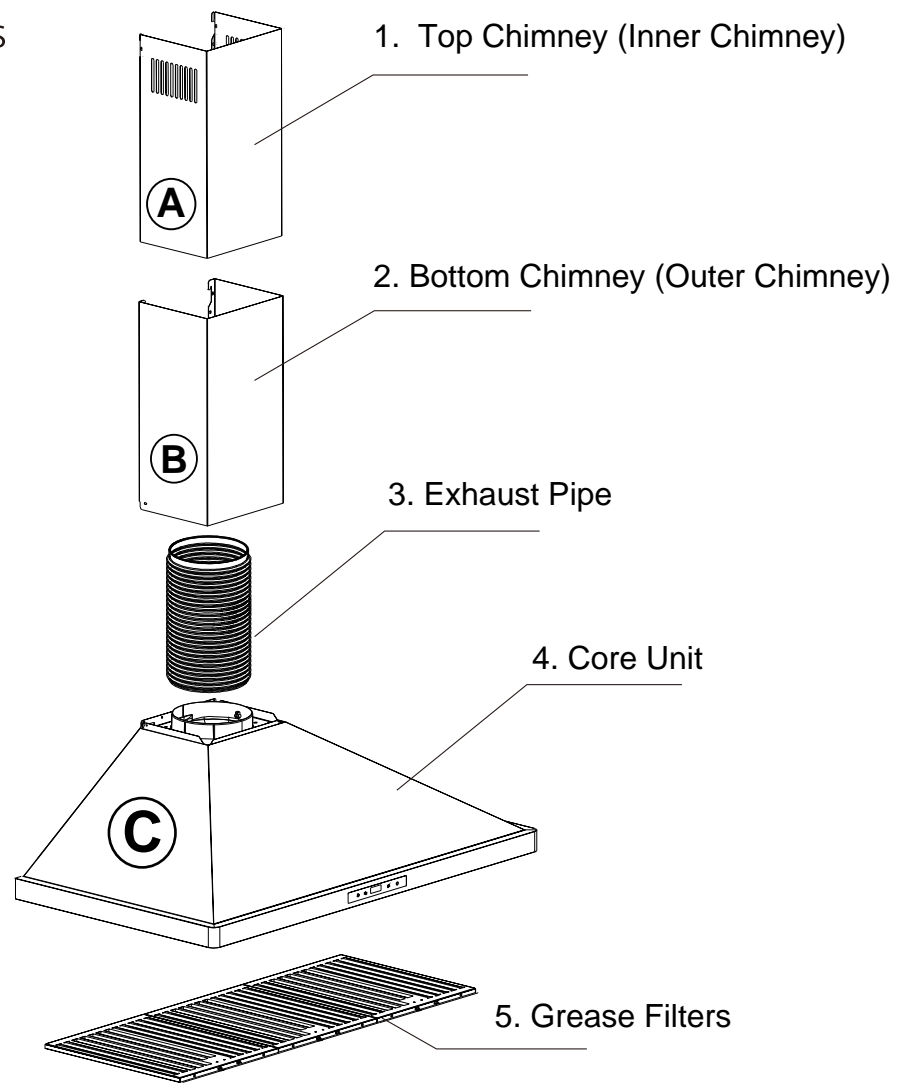


PARTS DIAGRAM

63175/63190 - 63175S/ 63190S

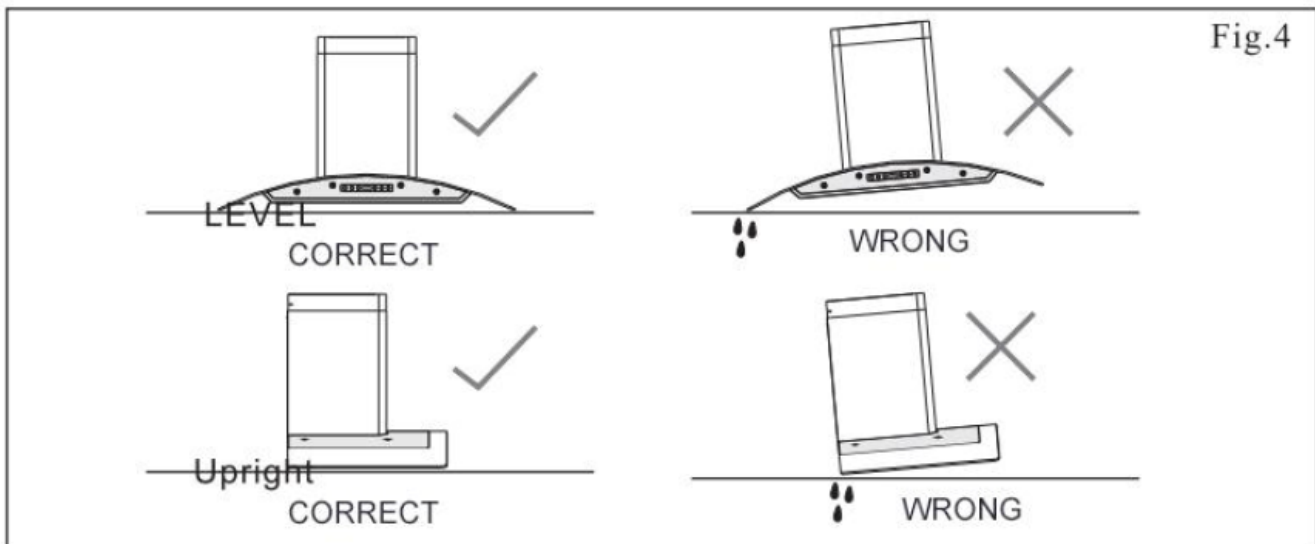
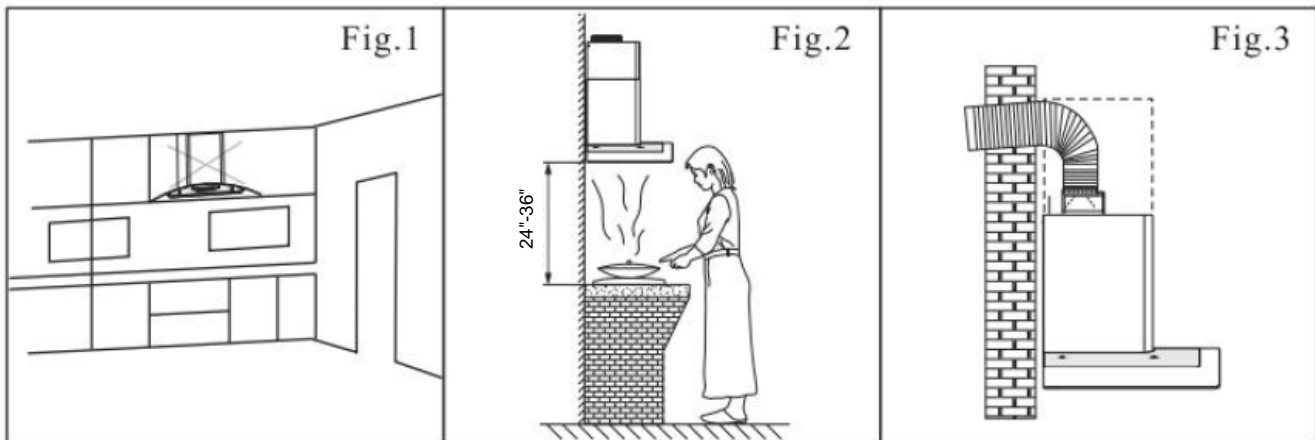


MAIN PARTS



INSTALLATION REQUIREMENTS

1. Do not install the range hood near open doors and windows to avoid reduced performance. (Fig.1)
2. Install the range hood directly above the cooktop. The optimal distance between the cooktop and lower edge of the range hood is 24" to 36". (Fig.2) Install at the height appropriate to your ceiling. Make sure the chimney reaches the ceiling. If your ceiling leaves the hood a few inches higher or lower than 24" to 36" you can still install it without a major loss of performance.
3. For optimal performance, do not over extend the exhaust tube and avoid unnecessary bending. (Fig.3)
4. After hanging the unit on the wall, ensure the range hood is straight and leveled. (Fig.4)
5. The air outlet must be connected to chimney flues or combustion gas ducts. Under no circumstances should the air outlet be connected to ventilation ducts for rooms in which fuel-burning appliances are installed.



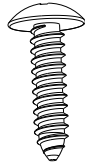
Parts List



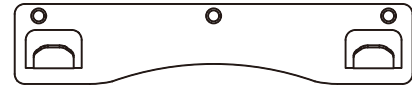
A.



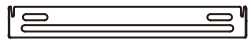
B.



C.

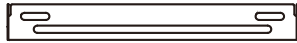


D.



(outer chimney)

E.



(inner chimney)

H.



F.



G.

- A.** 11 pcs 2/8" x 1 3/8" Plastic Anchors
- B.** 11 pcs 1/8" x 1 7/8" Screws (48mm)
- C.** 4 pcs 1/8" x 3/8" Screws (35mm)
- D.** Core Unit Bracket (Main Body)
- E.** Outer Chimney Cover Bracket
- F.** 6 in. Round Aluminum Duct
- G.** Oil Cup
- H.** Inner Chimney Cover Bracket

Note: Hardware, number of screws, anchors and accessories will vary based on product model.

WALL MOUNT RANGE HOOD INSTALLATION

Preparing Your Wall / Mounting Instructions

Step 1:

Place the range hood on the wall and mark the position where you want to install.

A height of **24" to 36"** from the cooktop is recommended for optimal performance. Install at the height appropriate for your ceiling. You may install higher if needed. **Make sure the chimney can still reach the ceiling.** If your ceiling leaves the hood a few inches higher or lower than 24" to 36" you can still install it without a major loss of performance.

There are 3 included brackets.

Start your measurements from the top down to make sure the chimney reaches the ceiling with no gap if desired.

* If you intend to run your ducting through the back wall behind the hood, it is not necessary for the chimney to touch the ceiling.

Step 2:

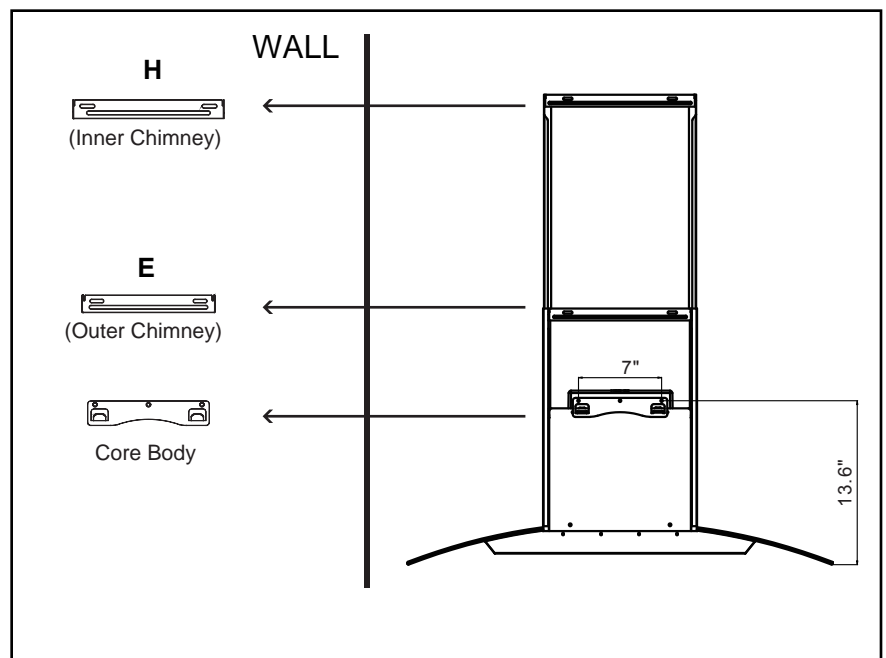
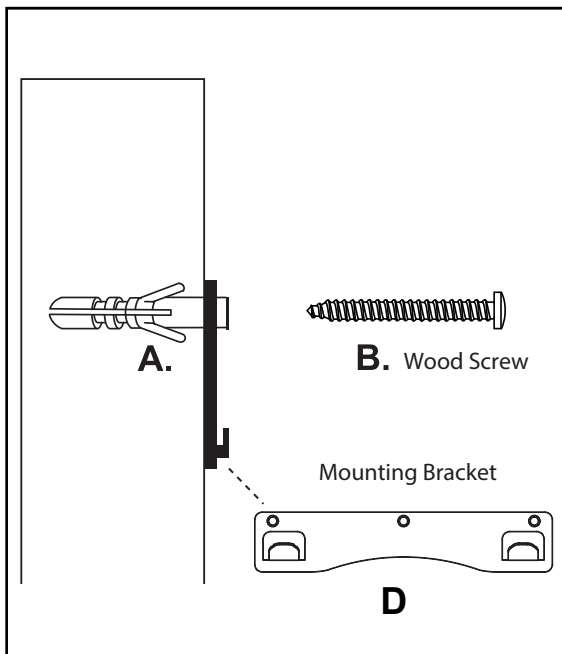
A. Find the Core Unit Bracket (D) that will hold the back of the range hood. Mark the locations on the wall with a pencil or marker.

B. Drill a 5/16" (8mm) hole at each marked location.

C. Insert wall anchors into each hole, gently tapping in place.

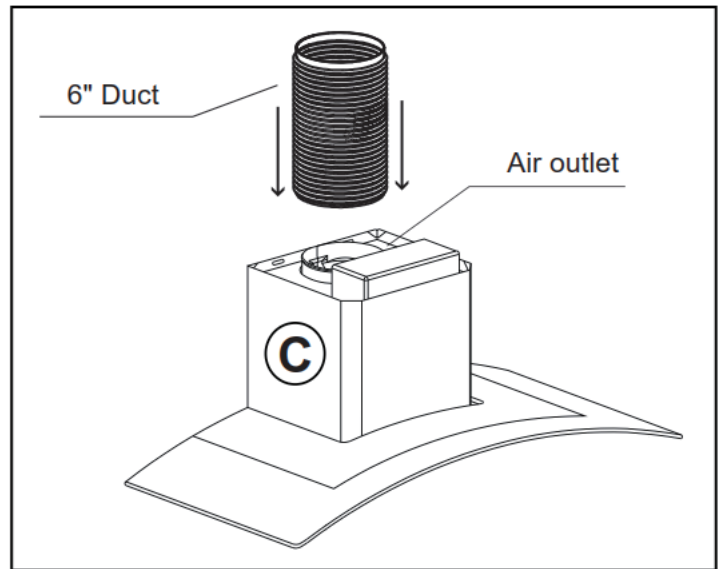
D. Take the Core Unit Bracket (Part D) that will hold the range hood and firmly tighten with 3 wood screws (Part B) into the anchors.

Secure range hood by hanging on bracket.



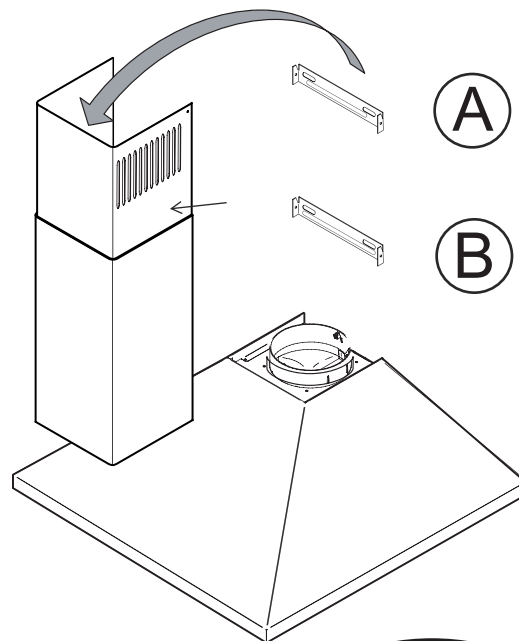
Step 3:

Locate the 6" round aluminum duct (F) and attach it to the top air outlet on the main body of the range hood with HVAC foil tape (not included). Make sure it is connected tightly.



Step 4:

Place the bottom of Outer Chimney into Core Body's seating located near vent hole. Then Insert the Inner Chimney cover into the Outer Chimney Cover. Note that the Inner Chimney cover must slide into the Outer Chimney cover's orientation slot. (see step 7 for mounting bracket install)

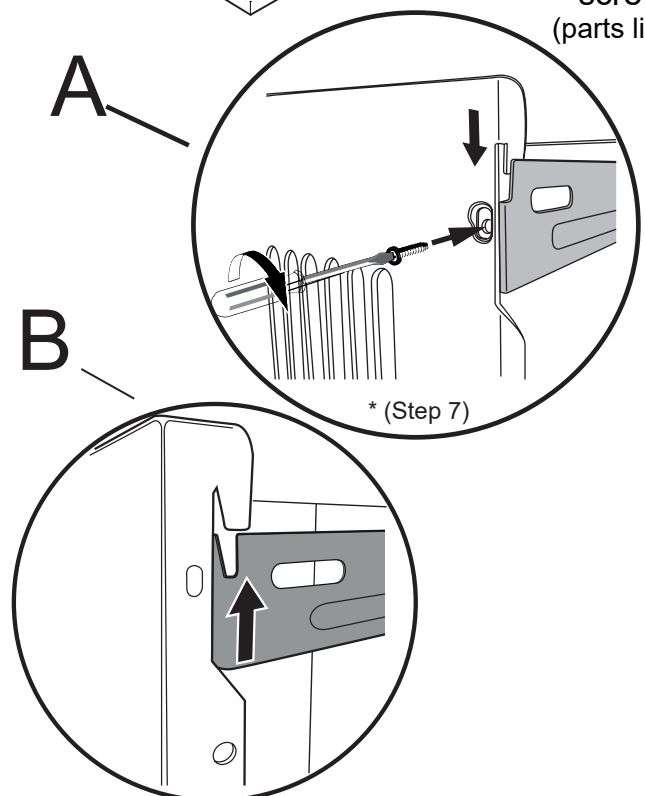


Step 5:

- A. Extend the inner chimney cover to the height at which it will touch the ceiling. Using a pencil, place a small mark on each side of the chimney cover which is level with the screw holes of the chimney. Now slide the inner chimney cover down.
- B. Using a pencil, place a small mark **on the wall** on each side of the chimney
- C. Align the middle of the Inner chimney bracket (H) with the drawn line and make a mark where each screw hole in your wall will need to be drilled for mounting of the bracket.
- D. Drill 1/4" holes at each marked location

The drilled hole should be slightly smaller than the diameter of the anchor.
- E. Insert anchors into each drilled hole.
- F. Align Inner chimney bracket (H) with the drilled holes and firmly screw it into place.

Use 3/8" screws (parts list C)



Step 6:

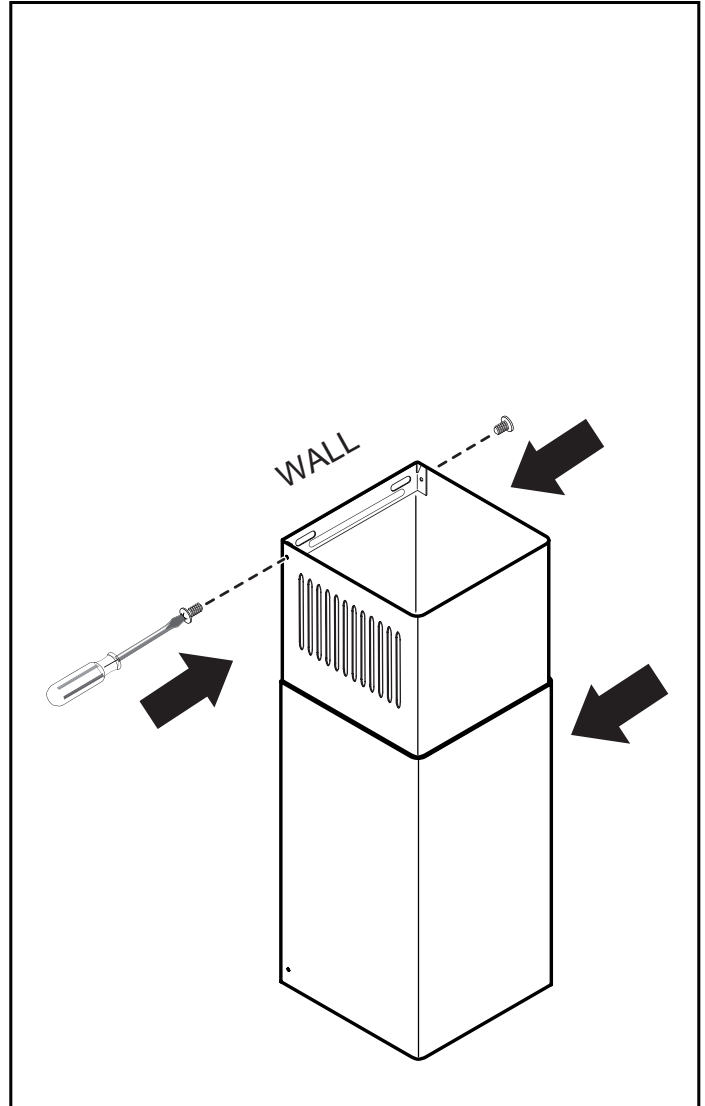
Extend the 6" Duct to the vent pipe of your building or outside. For optimal performance try to minimize bending of the duct.

Step 7:

Mount outer chimney bracket (E) to the wall appropriate to the height of the outer chimney. Use the hooks on bracket to mount bottom chimney.

Extend Inner Chimney until it touches the ceiling. Align sides with Inner Chimney Mounting Bracket (H)(already mounted to wall) and firmly screw sides of Inner Chimney to bracket with 3/8" screws (C in parts list).

* If you intend to run your ducting through the back wall behind the hood, it is not necessary for the chimney to touch the ceiling.



Step 8:

Insert and install filters according to the diagram on **Next Page**.

Start at 90° Angle and line up the hooks on filter with the rectangular slots on the range hood. Lift the filter up and push the button on filters to allow it to lock into place.

FILTER INSTALLATION

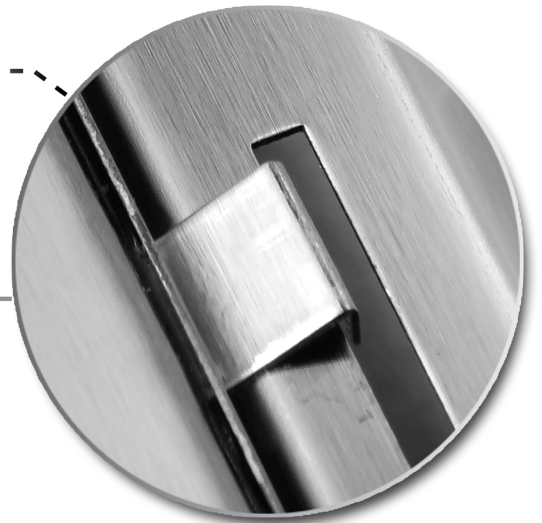
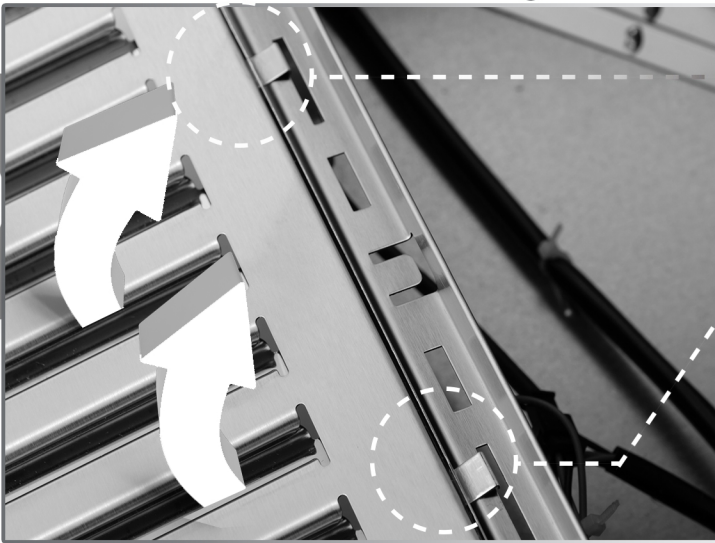
Line up filter Hooks to holes in unit.

1



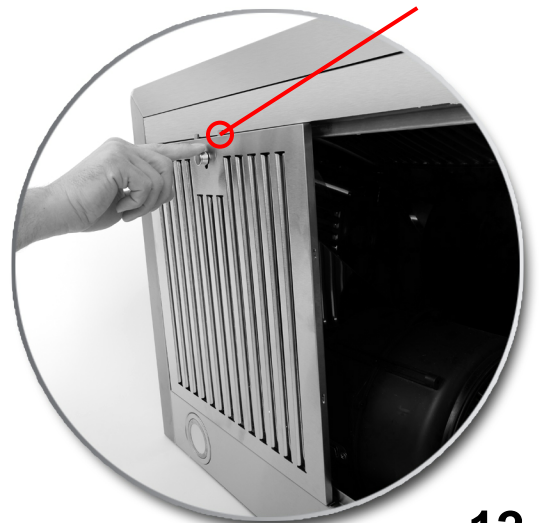
Lift filter for Hooks to go into holes.

2



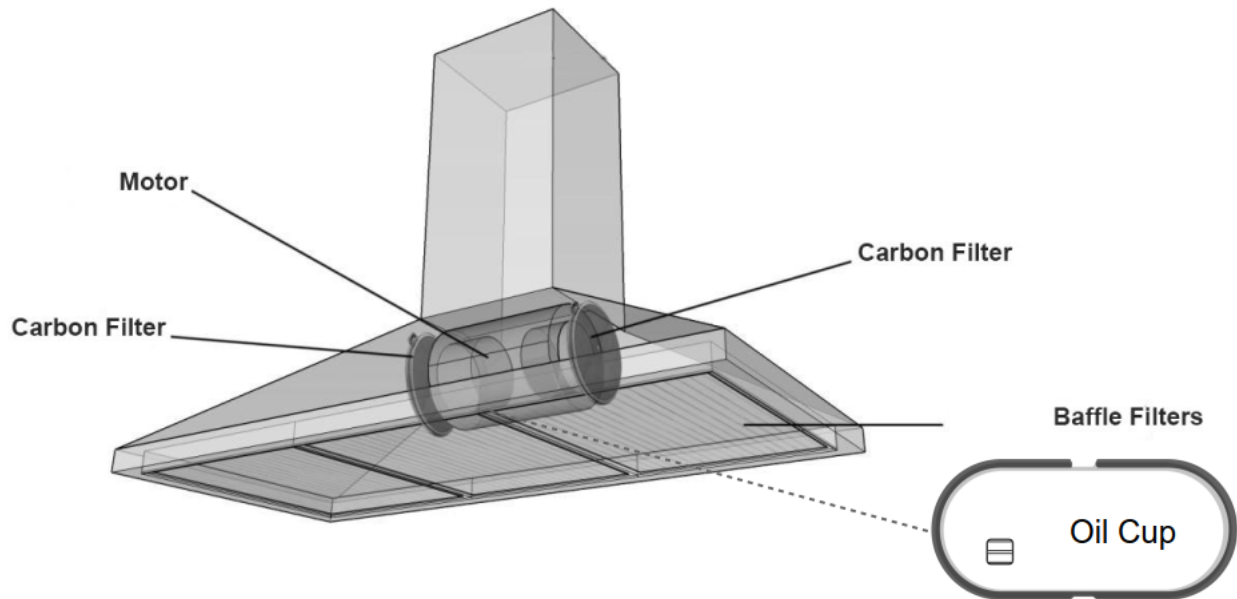
Lock Filter into place

3



RECIRCULATING CHARCOAL FILTERS

Skip this page if you are installing a Ducted Range Hood.
Charcoal Filters are only included with Ductless Models



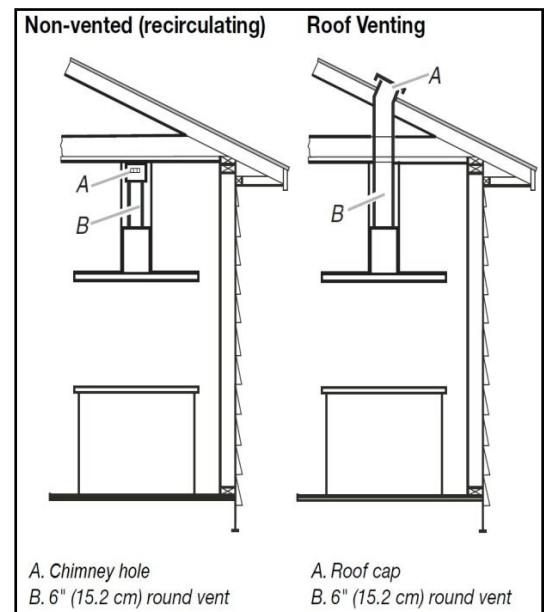
Installing Recirculating Filters (For Ductless Model Only)

1. Remove the Baffle Filters
2. Locate the Motor
3. Place a Carbon Filter on one side of the motor and align with the center.
4. Press the center of the filter firmly. While pressing firmly twist and lock into place.
5. Repeat steps 2-4 for the other side of the motor.
6. Place the Baffle Filters back into place. (see instructions)

Note: Chimney Vent Holes located on the sides of the chimney must be exposed to let the filtered air recirculate.

It is recommended that the charcoal filter be replaced every 4-6 months. Charcoal filter replacements are available for purchase on www.cosmoappliances.com

Charcoal Filter Model # : CFK1-TM



OIL CUP INSTALLATION

1

Line up Oil Cup



2

Pull down



3

Snap into place



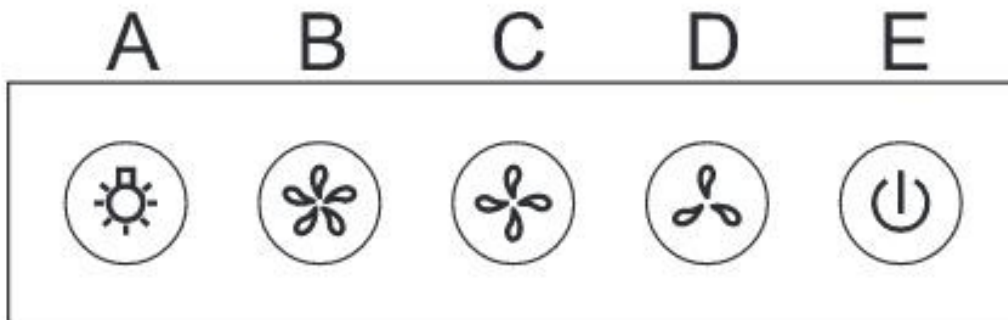
Push Button Controls

COMPATIBLE WITH MODELS:

COS-63175
COS-63190

COS-668A750
COS-668A900

COS-668WRC75
COS-668WRC90



B. Highest Fan Setting

C. Medium Fan Setting

D. Lowest Fan Setting

E. Power Button. Press to turn unit on / off.

When shutting off, press once to delay shut-off for 1 minute, or press twice to shut off immediately.

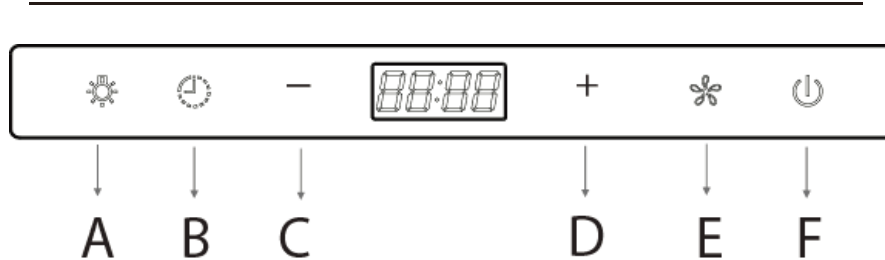
Soft Touch Controls

COMPATIBLE WITH MODELS:

COS-668WRCS75, COS-668WRCS90
COS-668AS750, COS-668AS900
COS-63175S , COS-63190S

- A. Light. Press to turn light on / off.**
- B. Timer Button**
- C. Minus Button** (Fan Speed)
- D. Plus Button** (Fan Speed)
- E. Fan Power Button** (Starts Max Fan Speed)
- F. Power Button. Press to turn unit On/Off**

Note: When Fan is ON + or - will increase or decrease fan speed.



Setting the Clock

1. Hold Timer Button for 3 Seconds
Use Light Button (A) to set Minutes
Use Fan Speed Button (E) to set Hours
2. Once time is set, Press Timer button to complete.
3. After setting the time, leave the unit alone for 5 seconds for the changes to save.

Setting the Timer

1. Turn fan on and set to desired fan speed.
2. Press the Timer Button (B).
Continue tapping the Timer Button (B) to set the time duration before the fan should automatically turn off.
3. After setting the timer, leave the unit alone for 5 seconds for the changes to save and the timer will start counting down .

MAINTENANCE

CAUTION: NEVER PUT YOUR HAND INSIDE OF THE UNIT WHILE ITS OPERATING. FOR THE BEST PERFORMANCE CLEAN YOUR RANGE HOOD REGULARLY.

CLEANING

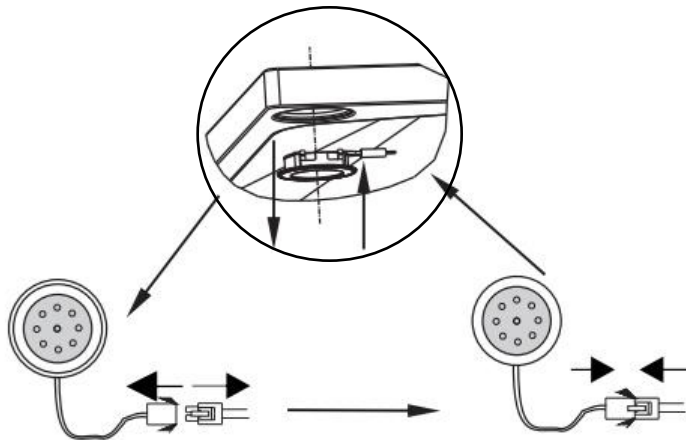
1. Use only mild soap or cleaning solutions to clean the range hoods outer surface. Dry surfaces using a soft cloth.
2. Stainless Steel cleaner may be used on the external surface.
3. **Cleaning the Baffle Filters:** For daily cleaning, use hot, soapy water and a soft cloth. Wipe dry and finish with a damp micro-fiber cloth. Baffle filters can also be cleaned in the dishwasher.
4. Clean the Range Hood assembly once every 6 months.
5. **DO NOT** clean the motor or electrical components with water or any other liquid

REPLACING LIGHT BULBS

CAUTION: LAMP UNIT MAY BE HOT! WAIT UNTIL THE UNIT IS COOL. *BEFORE ATTEMPTING TO REPLACE THE LED LAMPS MAKE SURE THE UNIT IS POWERED OFF AND UNPLUGGED.*

Note: Individual LED bulbs cannot be replaced only LED lamps.

1. Remove the baffle filters
2. Find the wire connection of the lamp and unplug.
3. Remove old LED lamp.
4. Plugin new LED lamp.
5. Reinstall the baffle filters.



TROUBLESHOOTING

CAUTION: ALWAYS UNPLUG UNIT FROM POWER BEFORE SERVICING

PROBLEM	SOLUTION	TOOLS
My range hood is noisy	A. Check inside the range hood for any loose debris and remove. <i>If your range hood is still noisy after checking, please call 1-888-784-3108.</i>	Phillips Screwdriver
My range hood has poor performance	A. The range hood and cooktop are too far away from each other. Optimal distance is 24" to 36" B. There are too many open windows or doors in the area. Close some doors or windows. C. The motor performance has decreased due to wear. Replace motor. D. Check and make sure the tape holding down the damper flaps at the vent hole are removed before use. E. The oil cup is full and needs to be cleaned out. F. The filters are clogged and need to be cleaned.	Phillips Screwdriver
My range hood shakes	A. The installation is not secure. Check again and make sure the installation hardware is securely mounted. B. The fan is broken or not balanced. Re-align or replace fan. C. The motor is loose. Check and make sure the motor is solidly mounted to the unit. D. Baffle filter is loose and is not installed correctly. Read page 12 for installation instructions.	Phillips Screwdriver
Range Hood does not turn on	A. Make sure that range hood is plugged into powered outlet. Test outlet with other device if not working. B. Remove baffle filters, reach inside behind the control panel and locate the wire with clip. Make sure control panel is securely plugged in.	Phillips Screwdriver
Light bulbs went out	A. Replace with a new LED lamp assembly. B. Remove baffle filters, reach inside behind the control panel and locate the wire with clip behind the light housing. Make sure the light is securely plugged in.	Phillips Screwdriver

IF YOU HAVE TRIED ALL SOLUTIONS AND STILL EXPERIENCE ISSUES, PLEASE CALL SUPPORT: 1-888-784-3108.

WARRANTY AND SERVICE

Limited Warranty

This unit comes with 5 Year Manufacturer's Part Warranty. Within 5 years after date of receiving the product, Cosmo will replace any functional parts that are defective. The customer must contact Cosmo and provide a description of the defective part, including digital pictures if requested, along with original proof of purchase. Defective components must be returned to Cosmo shipping prepaid. After the 1st year, shipping costs of replacement parts will also be prepaid by customer. Functional parts are those components/parts that are critical to the performance of the product's essential function. Non-functional parts are those that are a cosmetic feature of the product such as knobs, grates, other metal bodies/surfaces, etc.

- A.** Warranty does not cover failure as result of: misuse, abuse, rust or corrosion, spilled liquids or foreign objects found inside the unit; repair of damage caused by accident, theft, fire, flood, external causes such as, but not limited to, blow fuses, inadequate electrical power, water and gas lines beyond the equipment, or any use of the product not authorized by the manufacturer.
- B.** The maximum liability of the warranty for product replacement or repair shall not exceed the original purchase price of the product.
- C.** Cosmo reserves the right to repair or replace the covered product with a comparable feature model of like kind.
- D.** Warranty does not cover deterioration of the appearance of the product, any cosmetic part such as paint, porcelain, glass, dents, scratches, chips, rust or peeling.
- E.** Any damage resulting from unauthorized replacement parts, improper service or modifications made to the covered product are not covered.
- F.** Cosmo is released from all liability due to indirect, consequential or incidental damages.
- G.** If replacement unit(s) is needed, shipping will be paid by the customer.