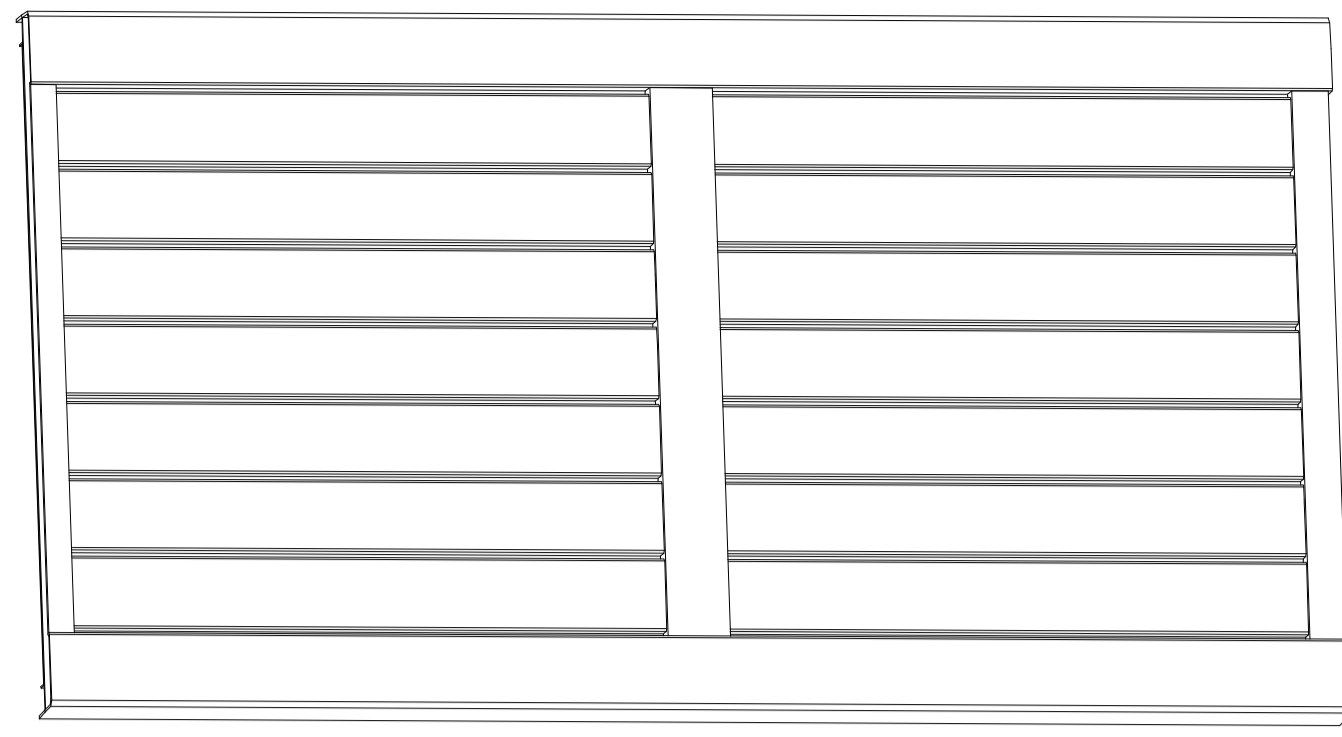
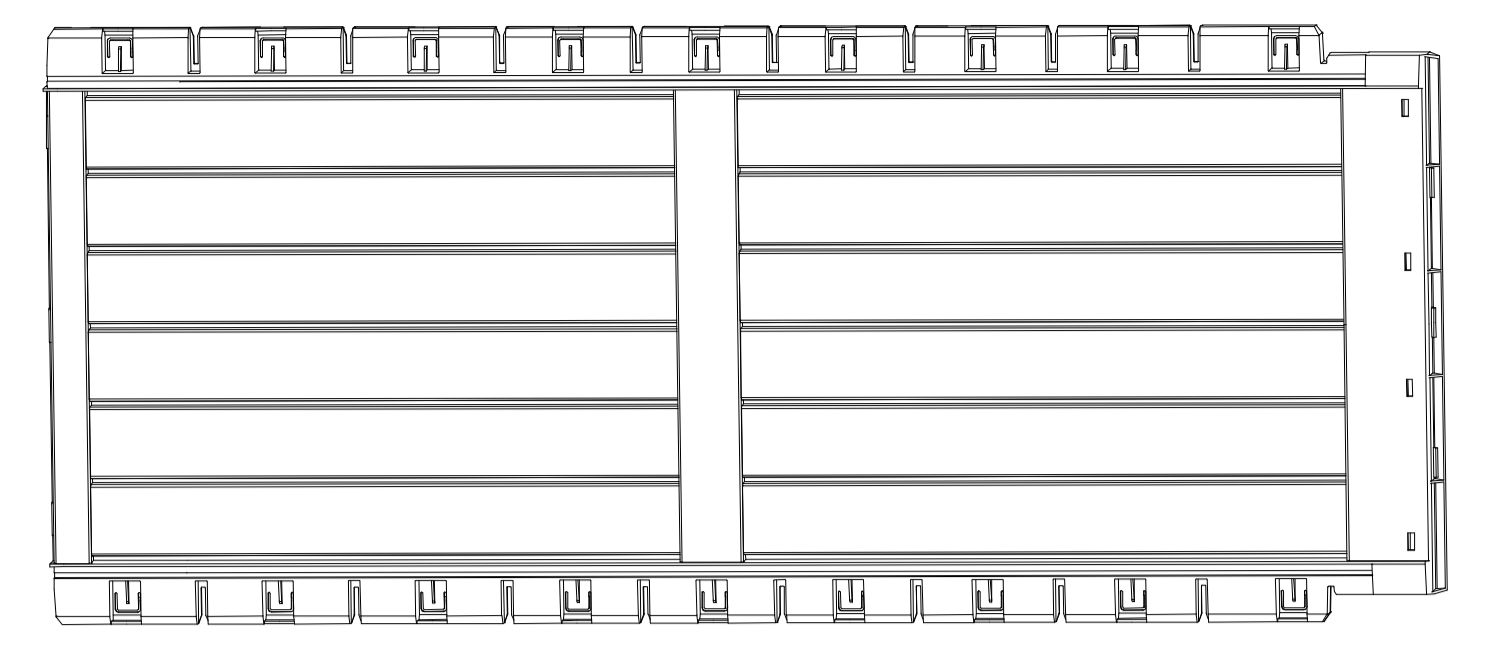




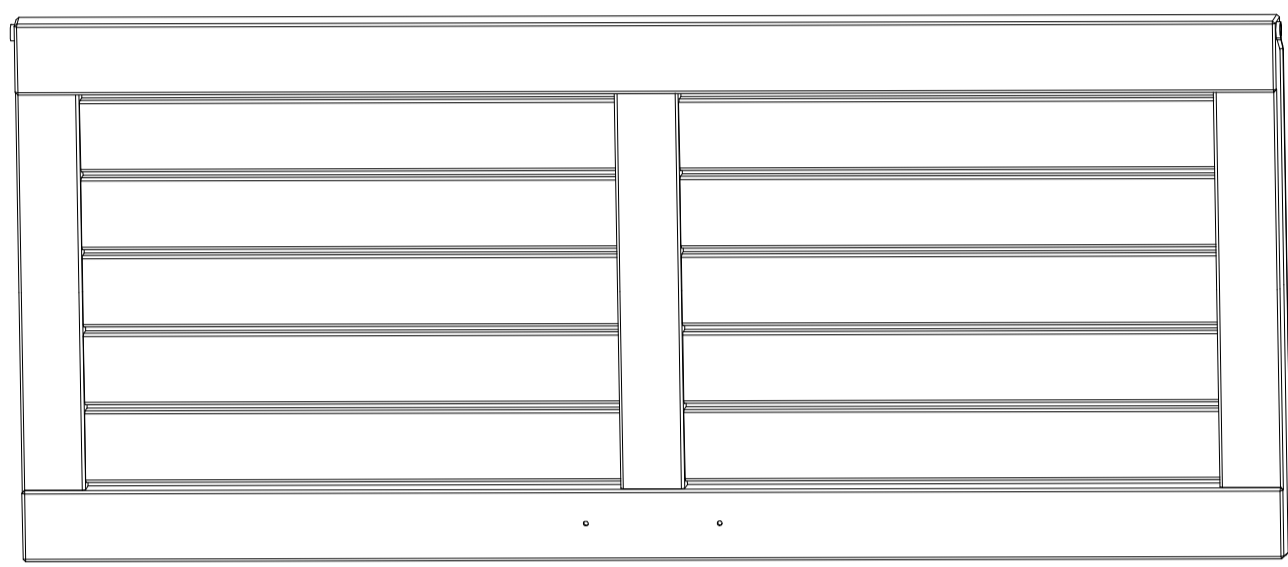
A(X1)



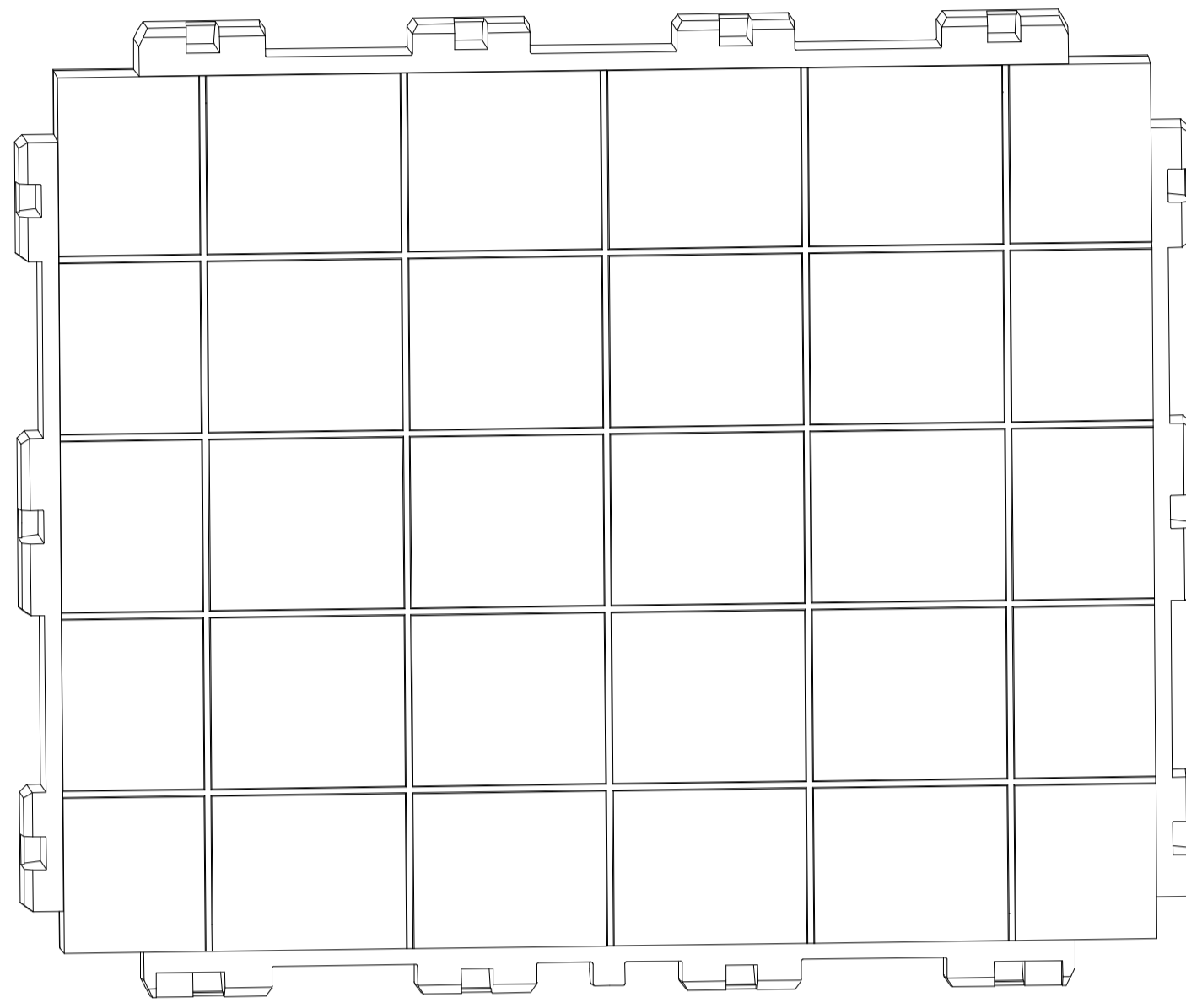
B(X1)



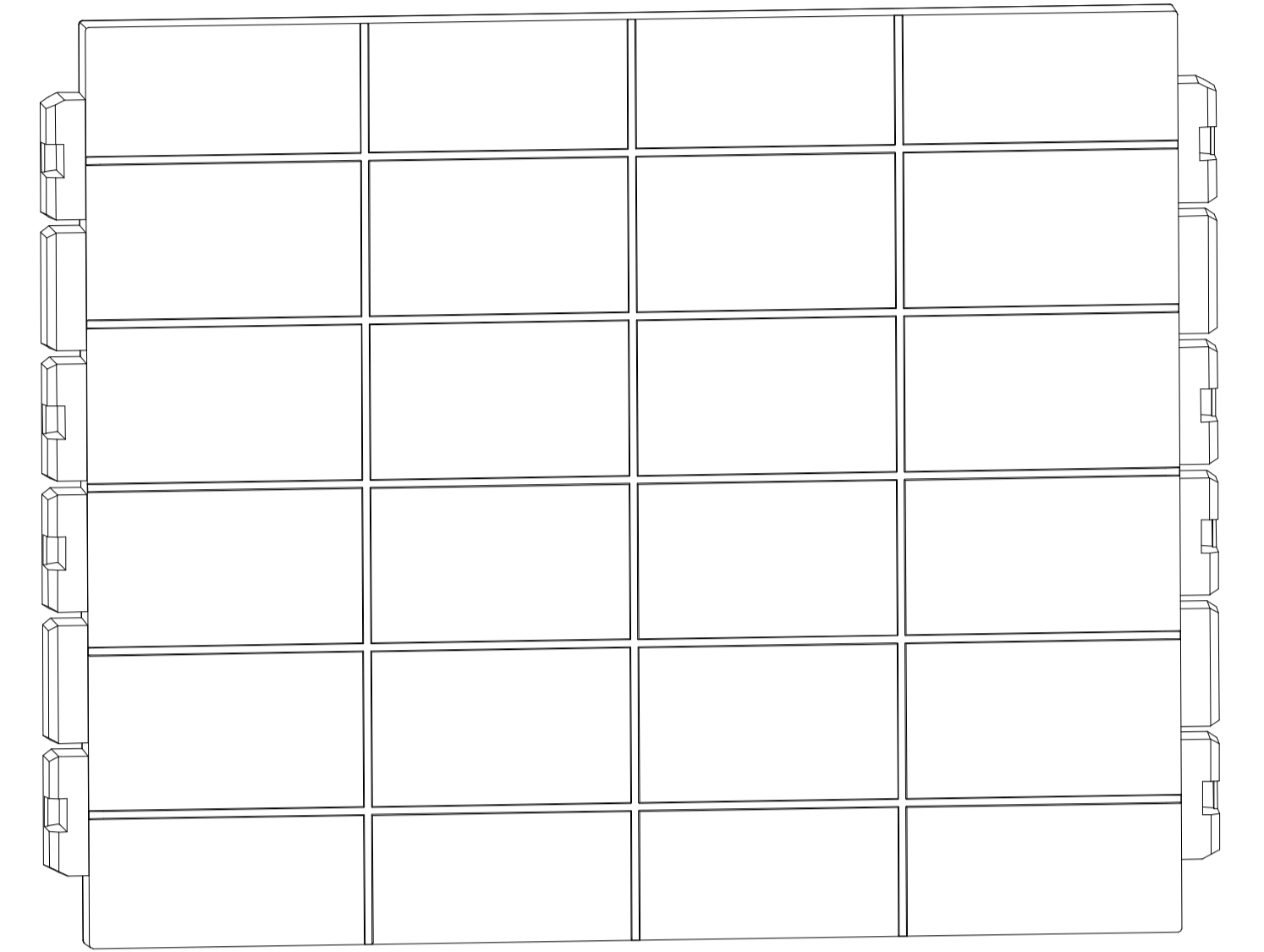
C(X2)



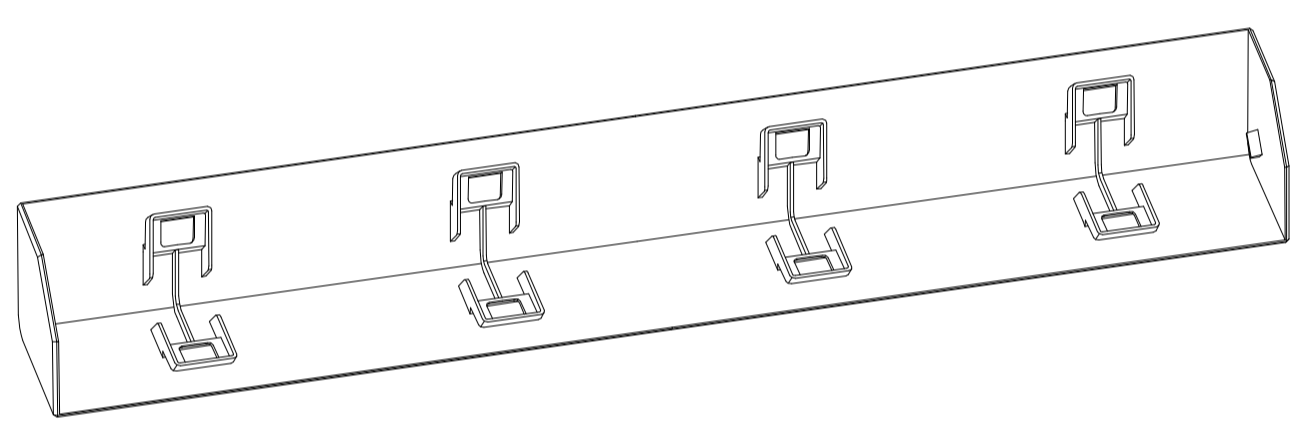
D(X1)



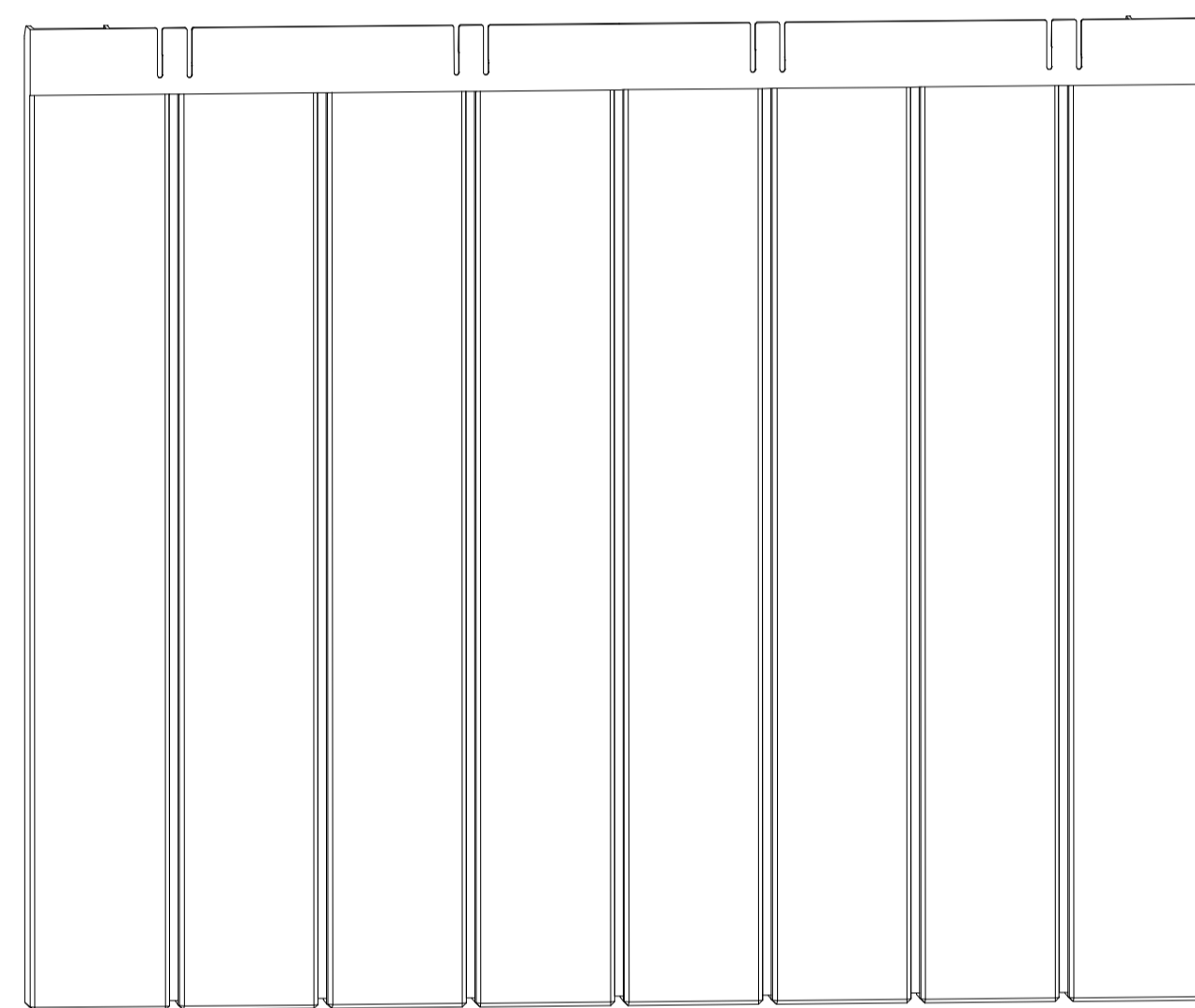
E(X1)



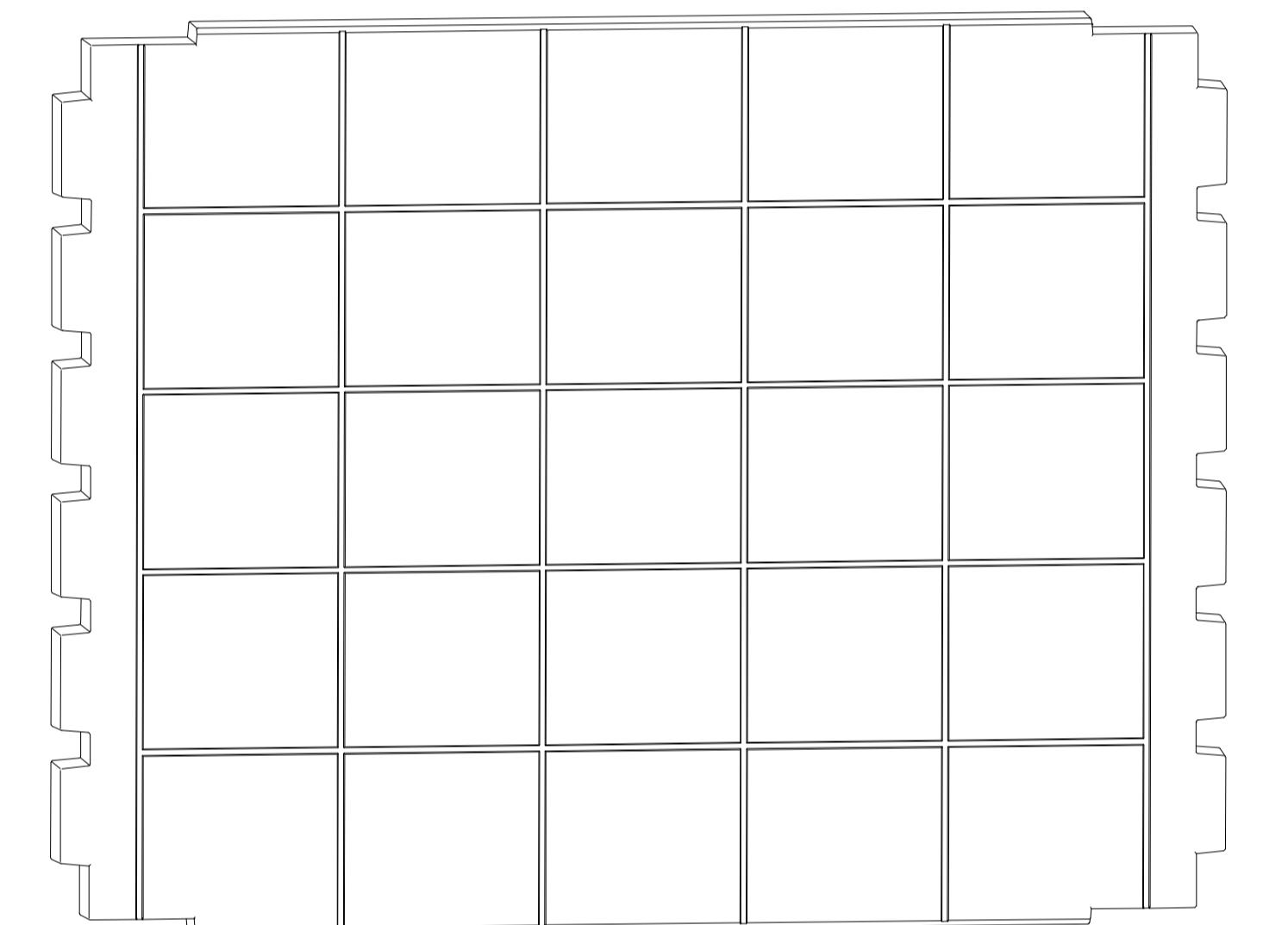
H(X1)



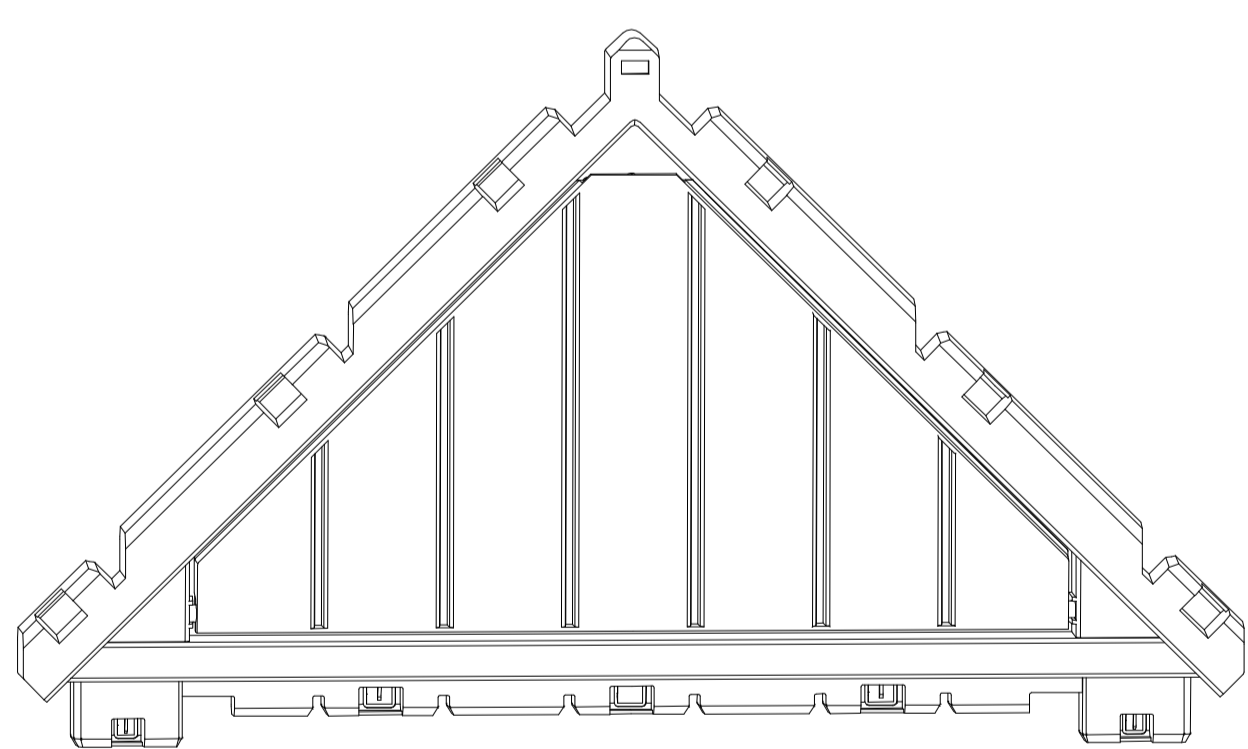
F(X1)



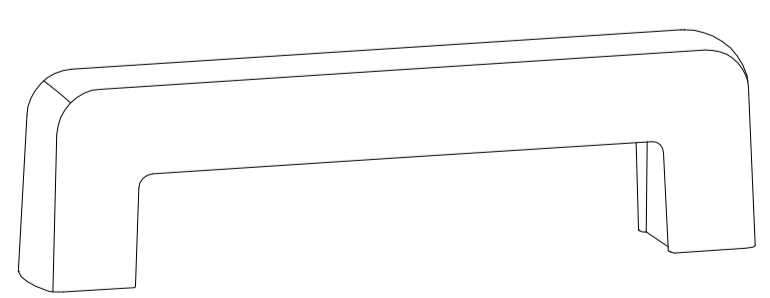
J(X2)



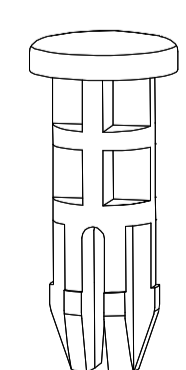
S(X1)



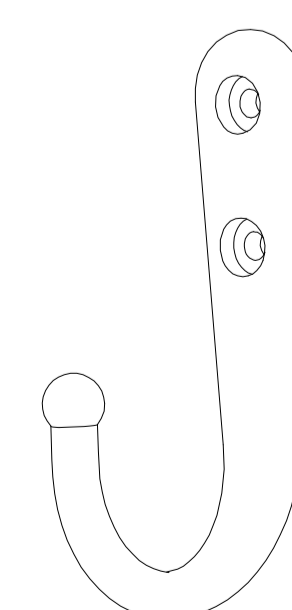
AF(X2)



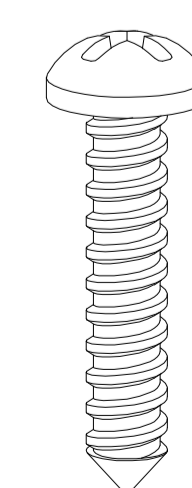
(X1)



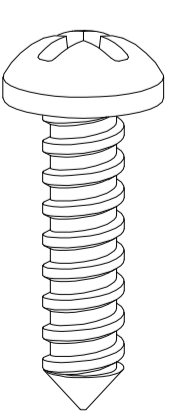
(X2)



(X12)

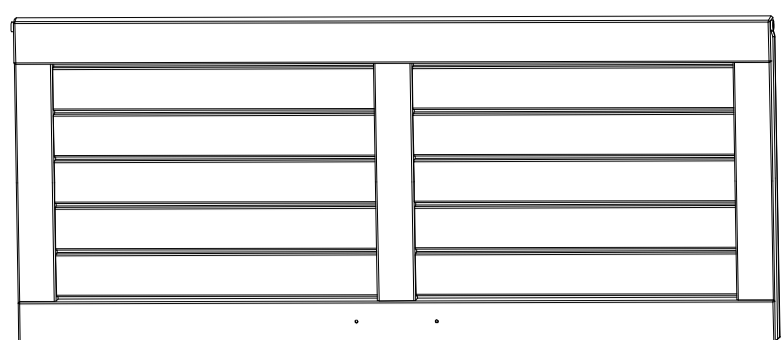


**M4x19mm
(X2)**

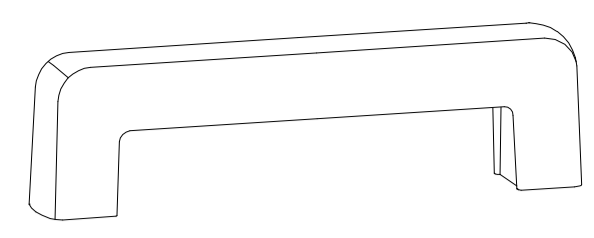


**M4x16mm
(X24)**

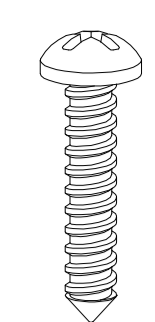
1



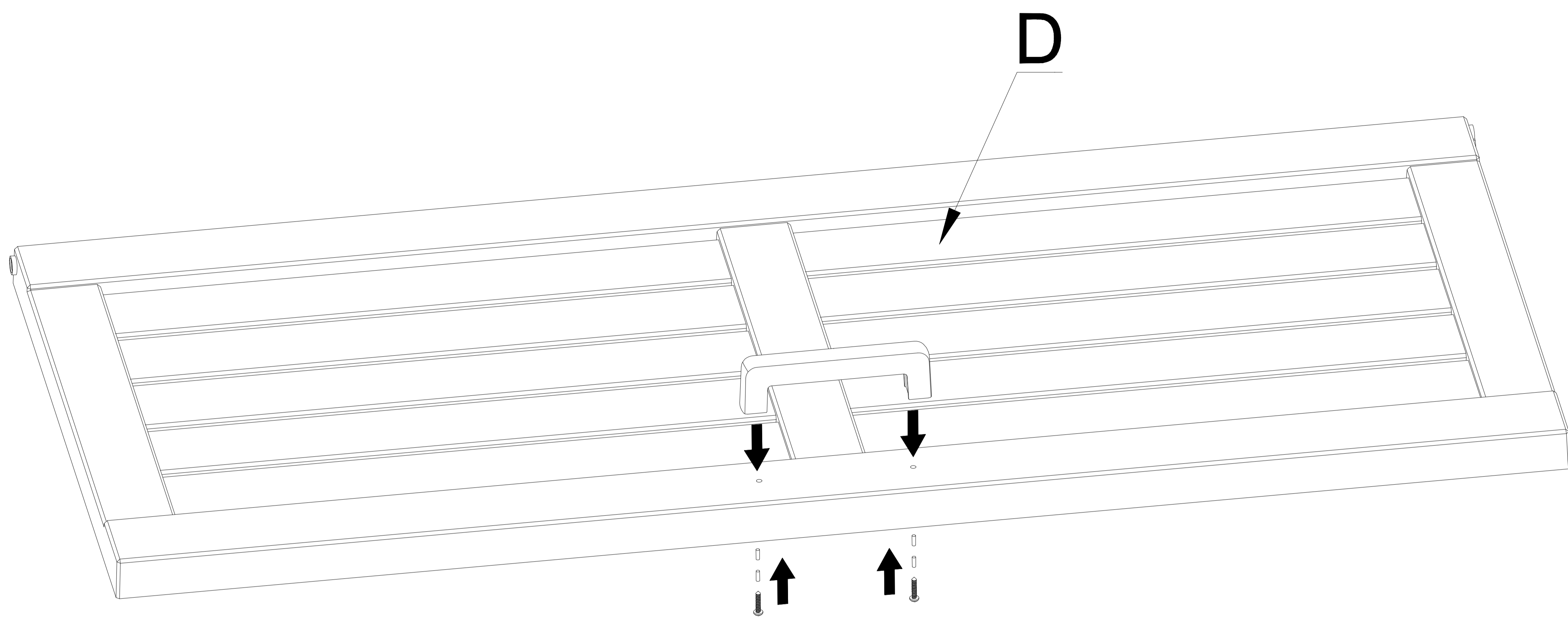
D(X1)



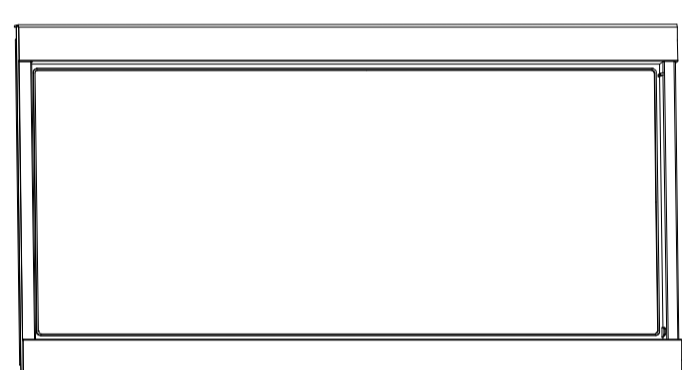
(X1)



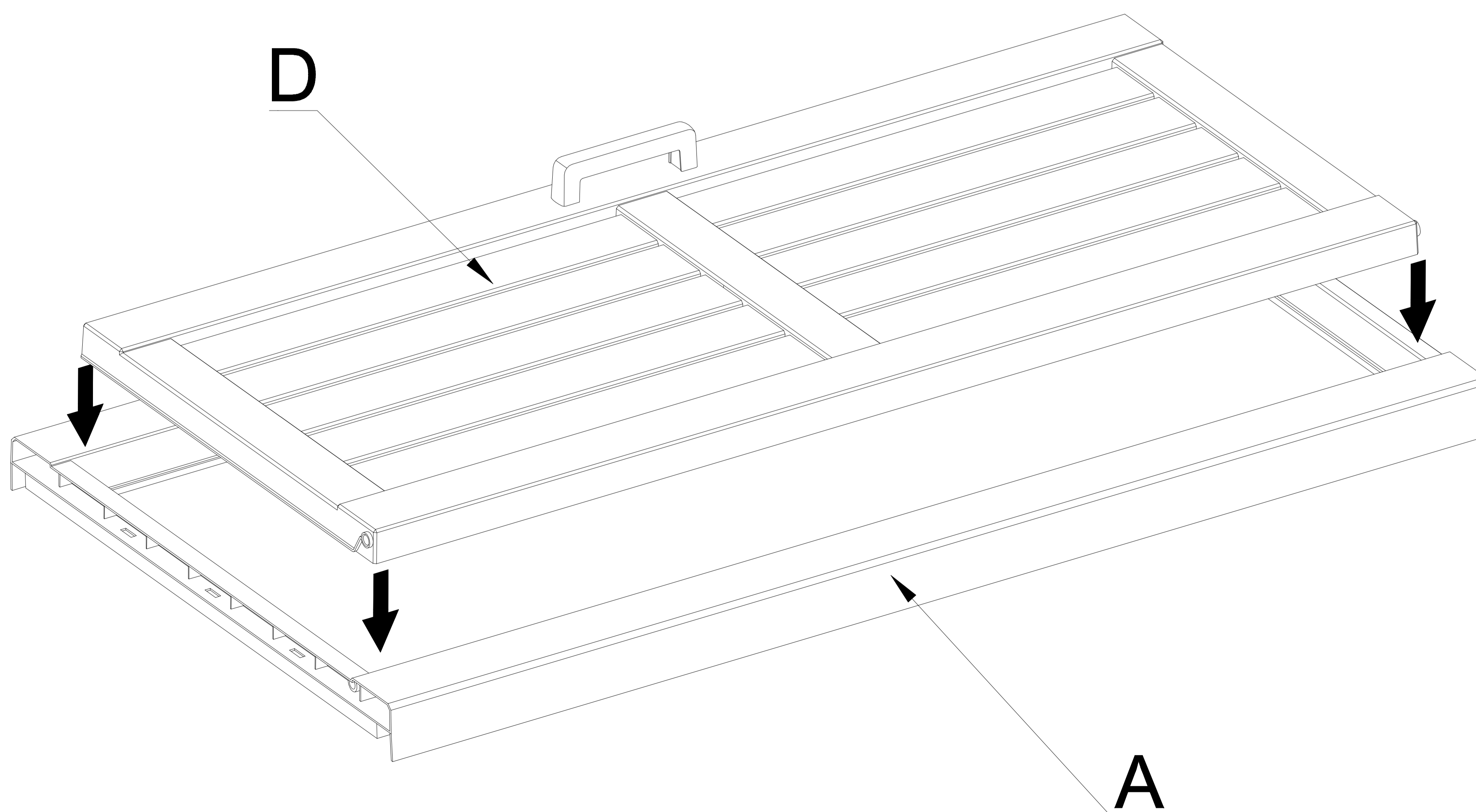
M4x19mm
(X2)



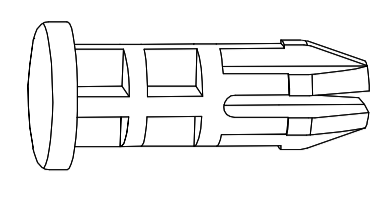
2



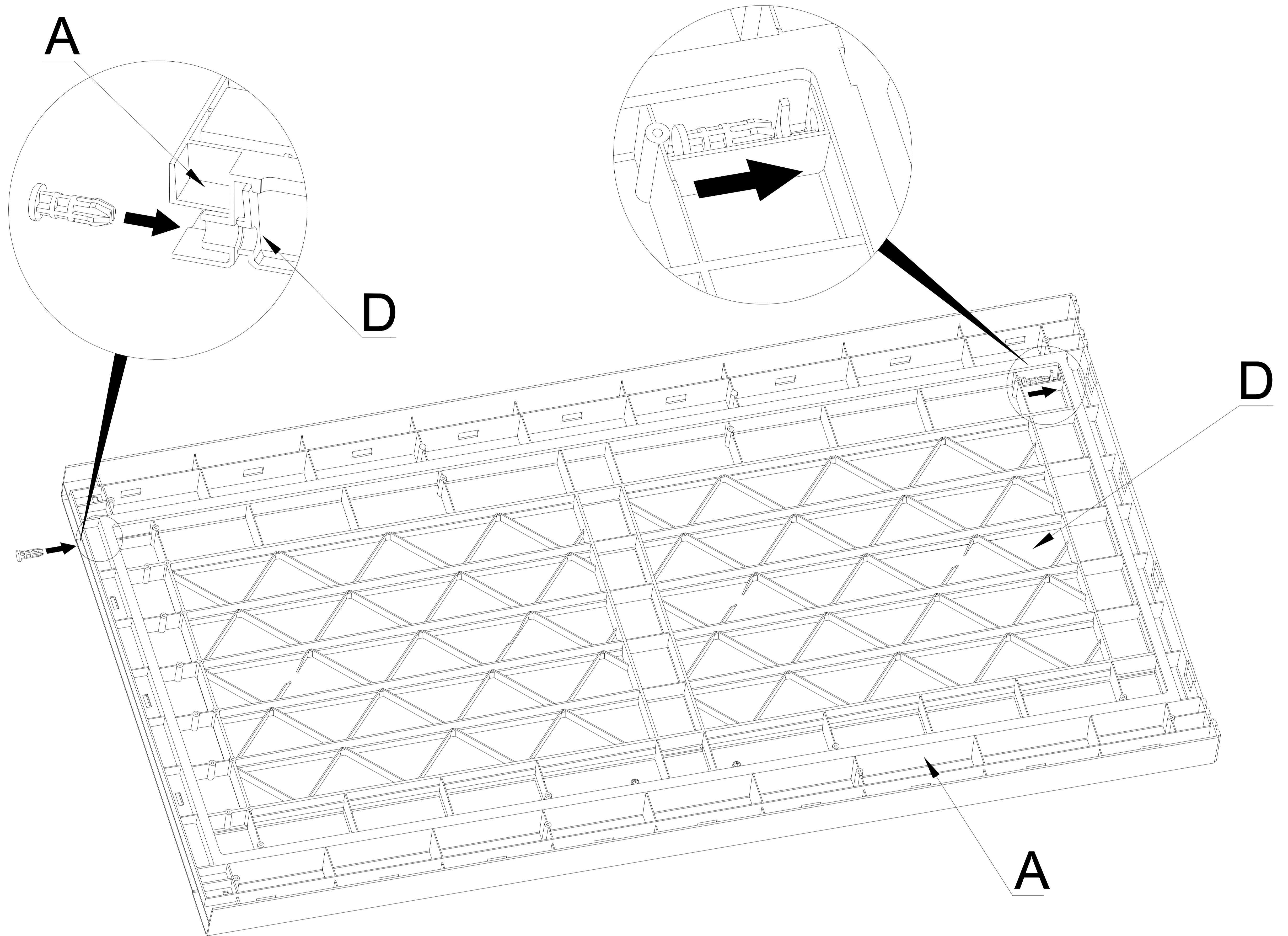
A(X1)



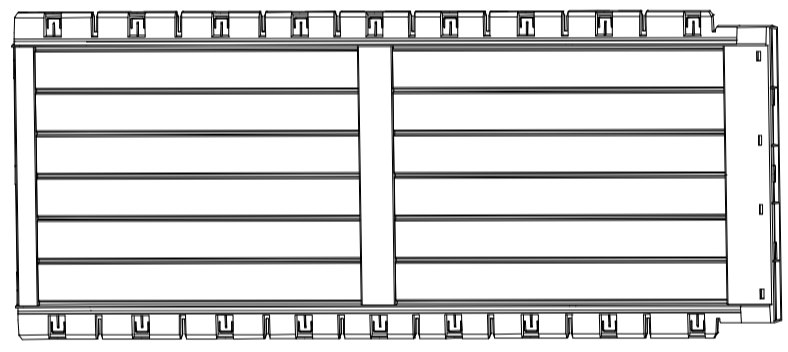
3



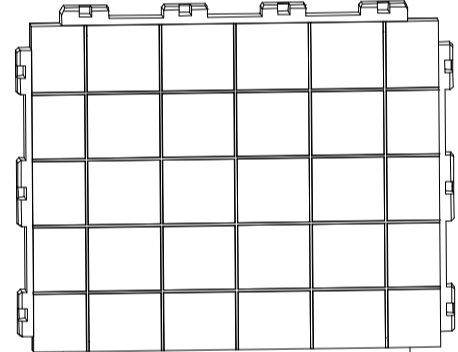
(X2)



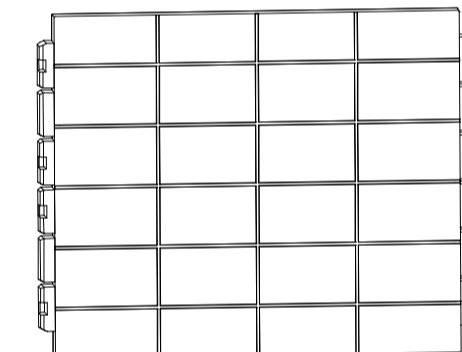
4



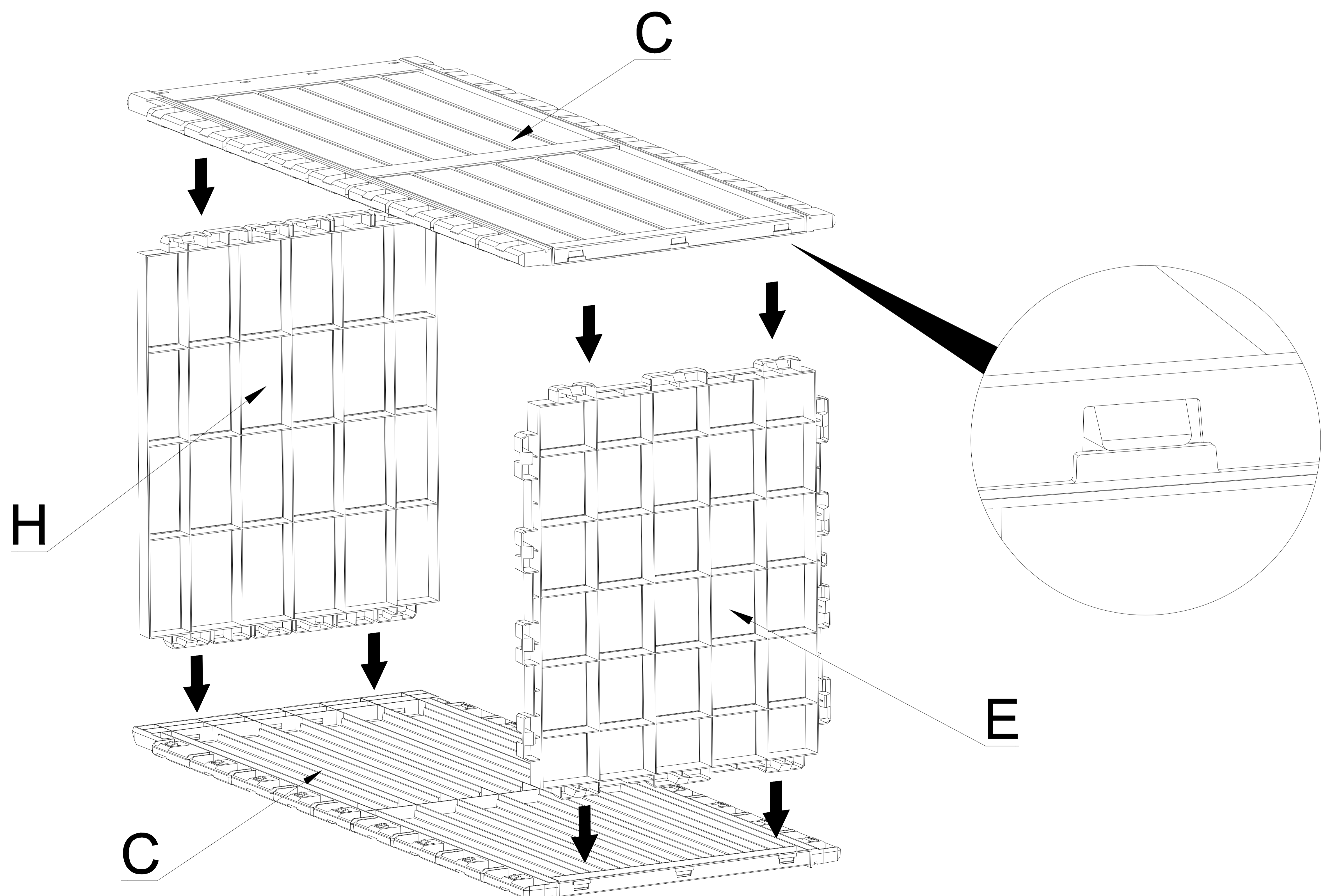
C(X2)



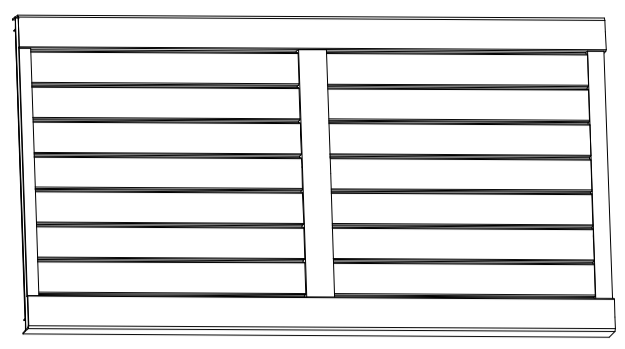
E(X1)



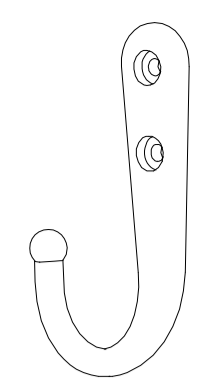
H(X1)



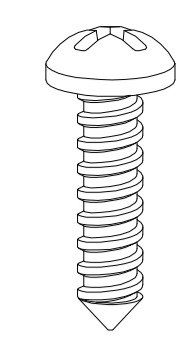
5



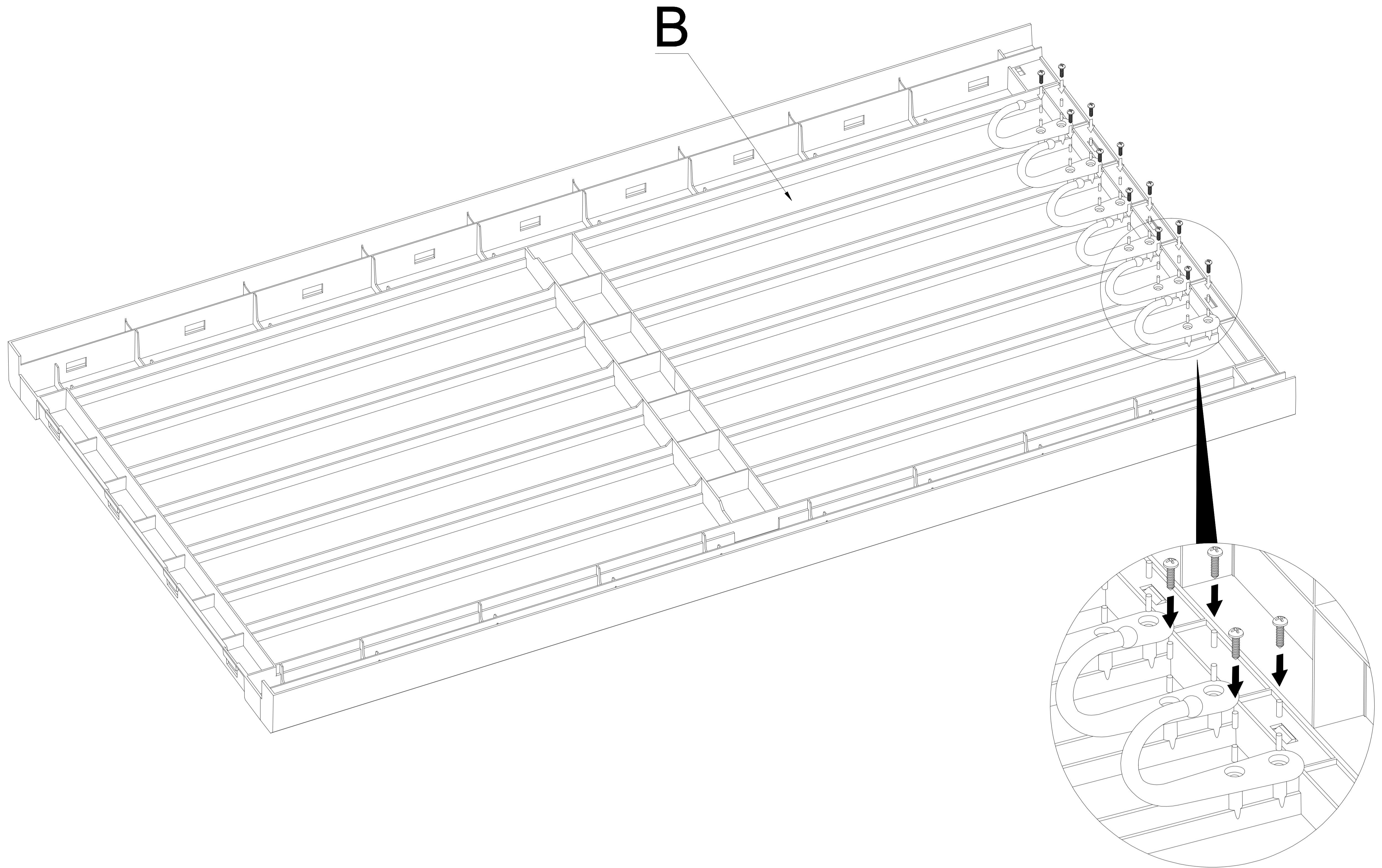
B(X1)



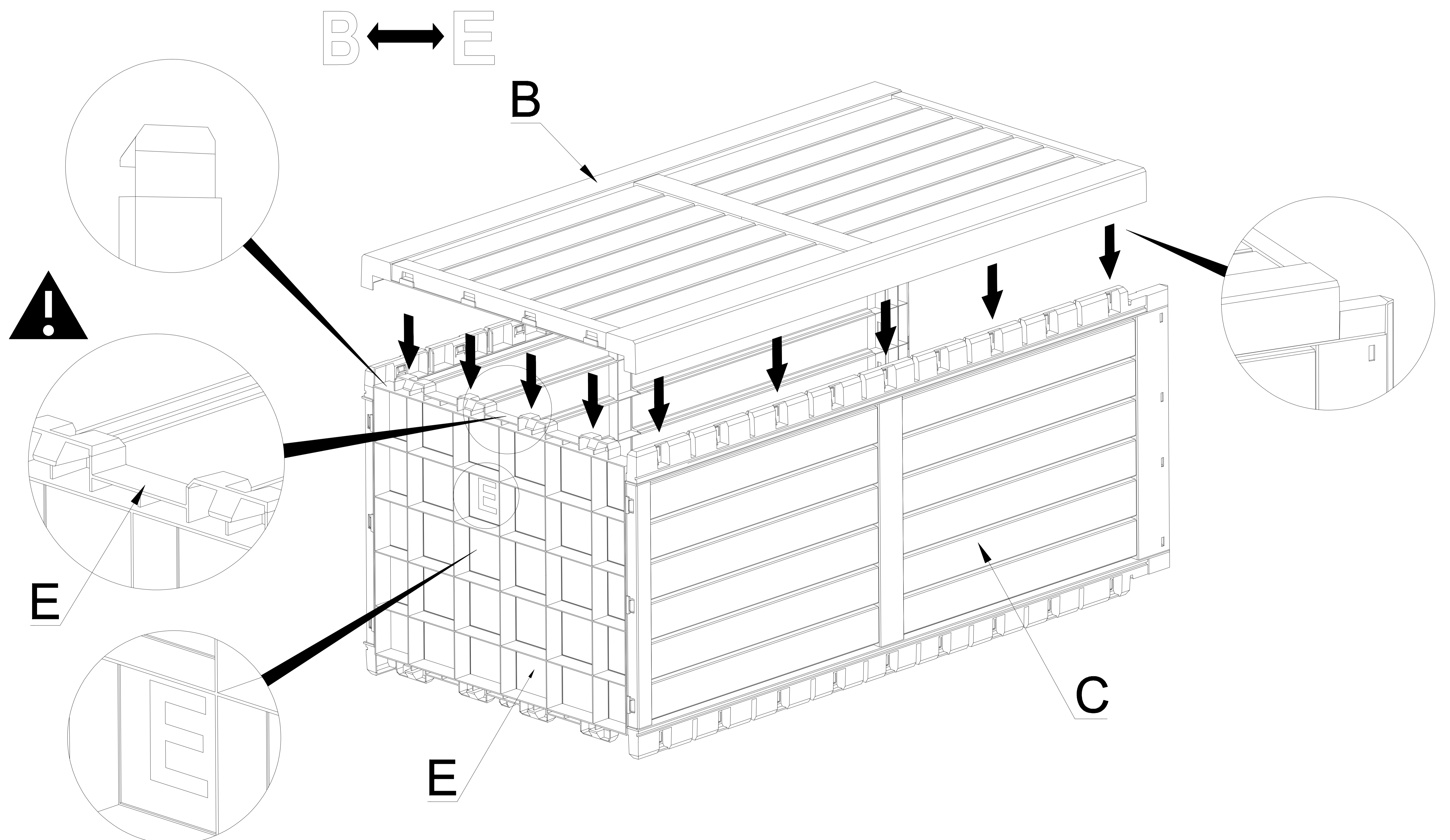
(X6)



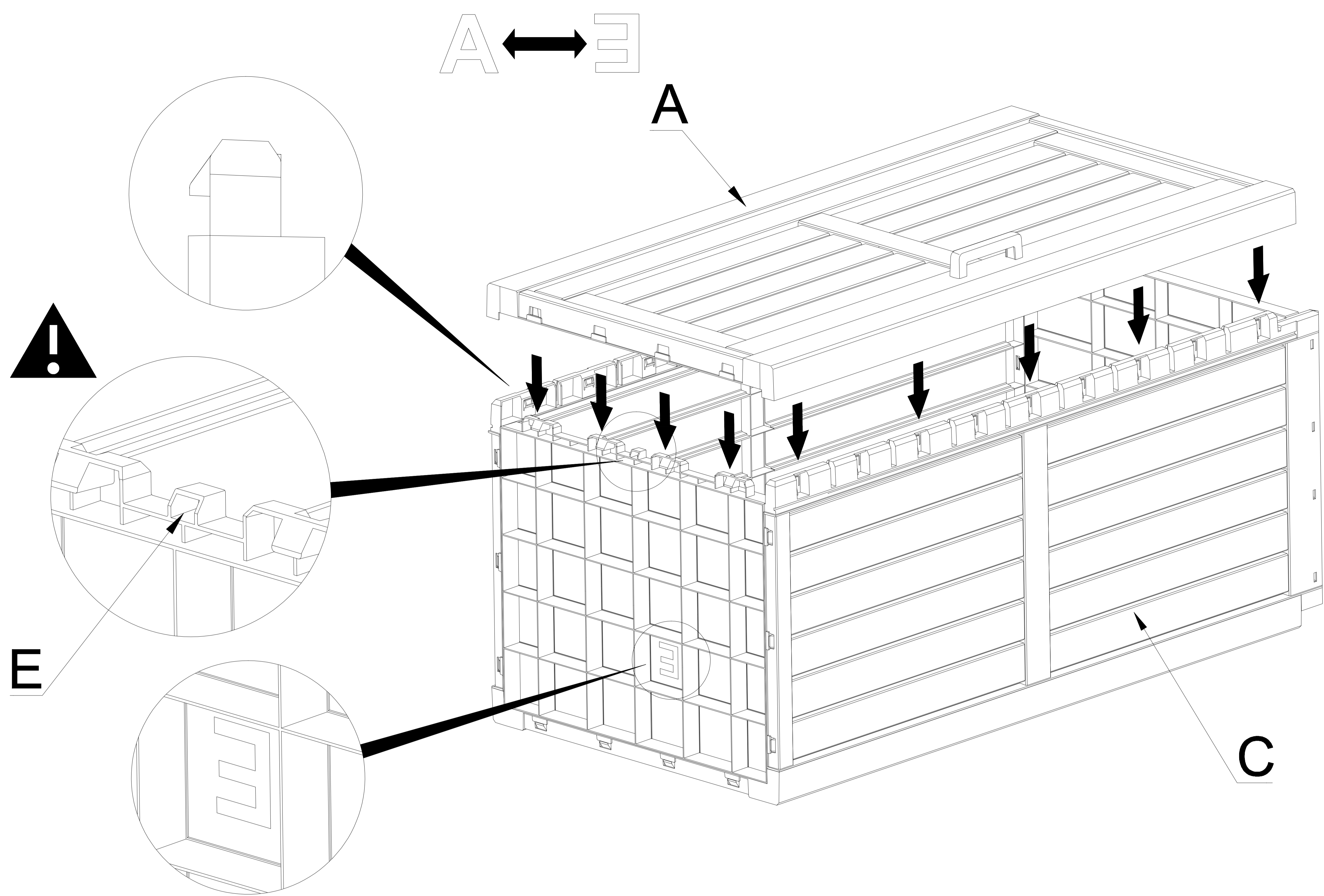
M4x16mm
(X12)



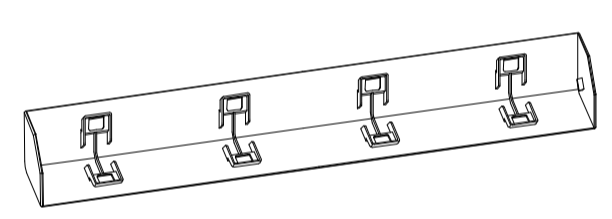
6



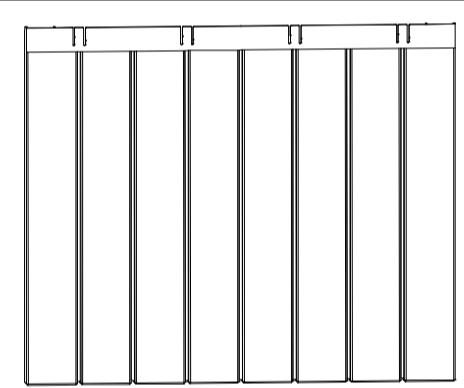
7



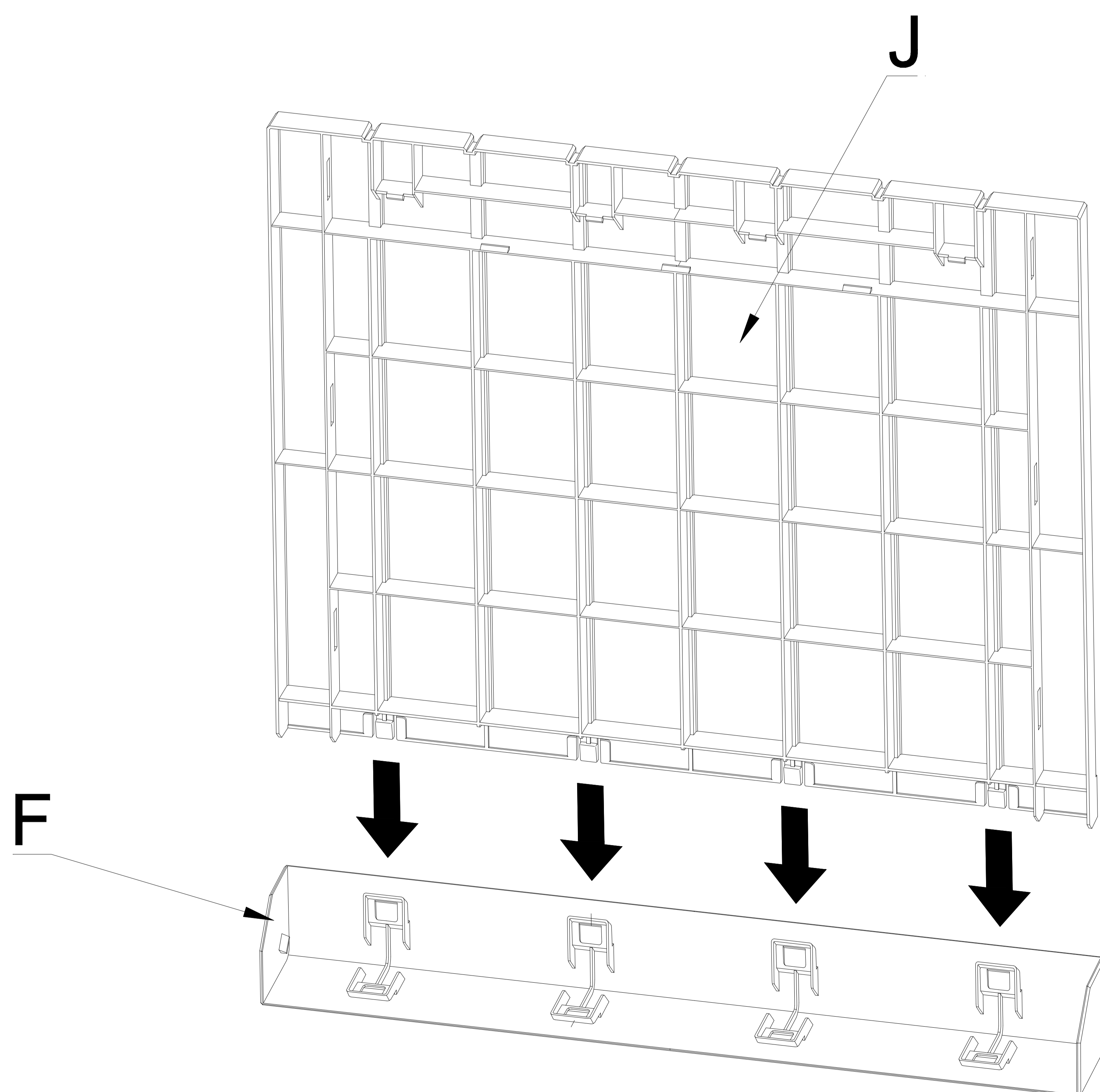
8



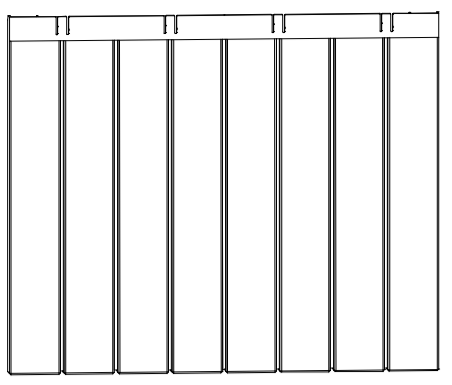
F(X1)



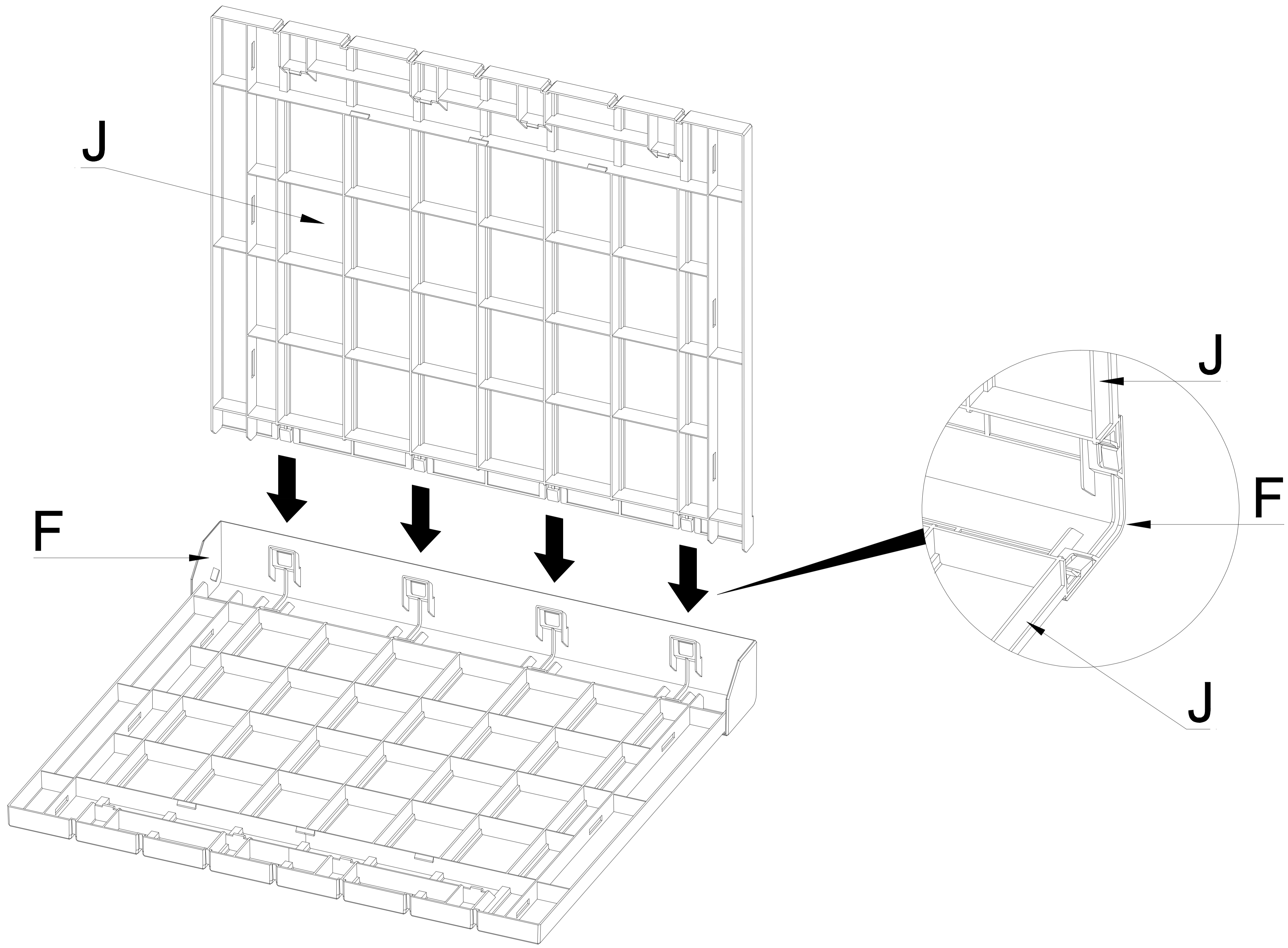
J(X1)



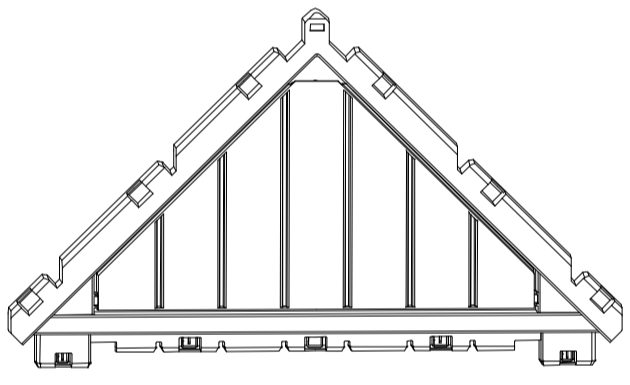
9



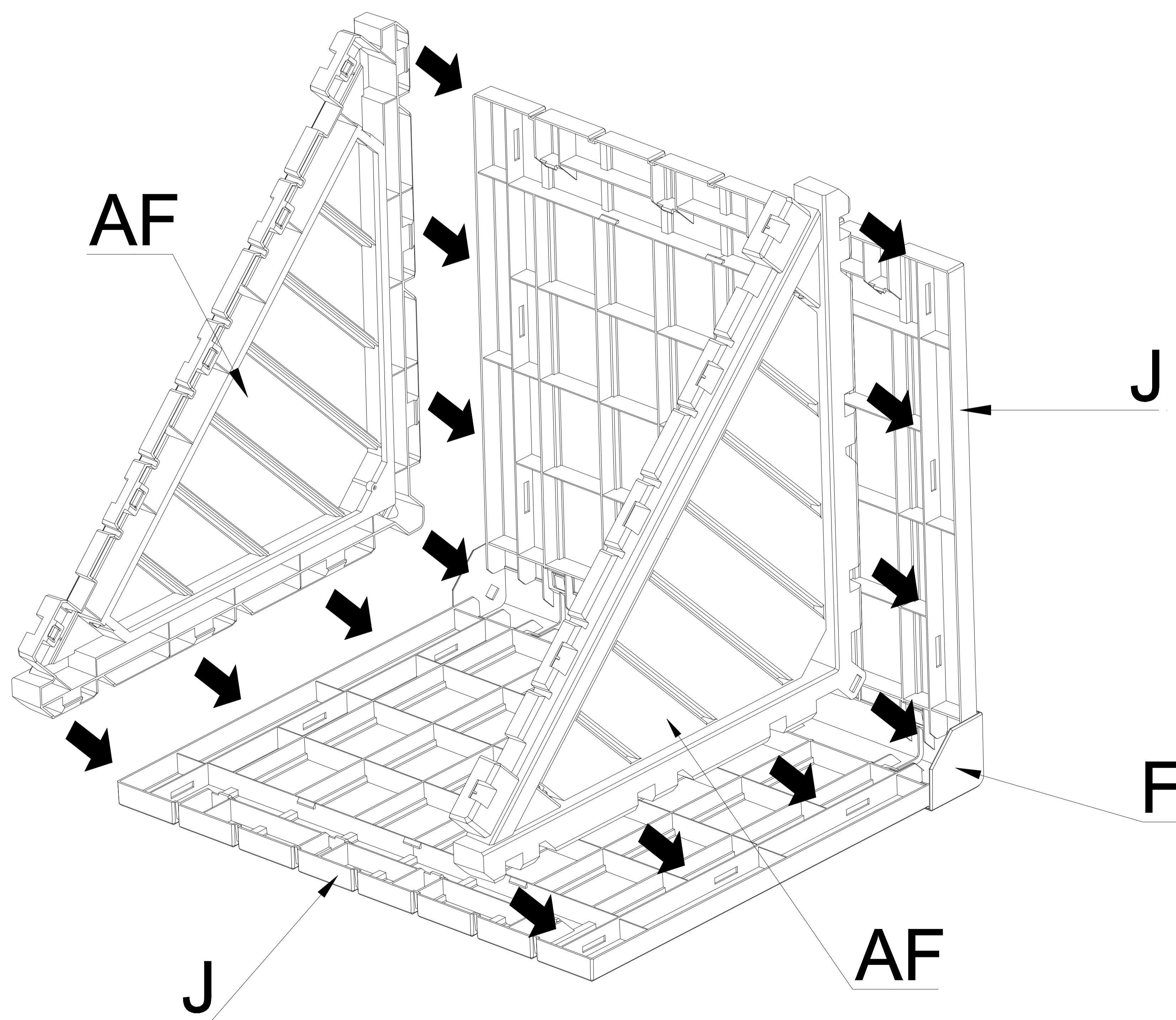
J(X1)



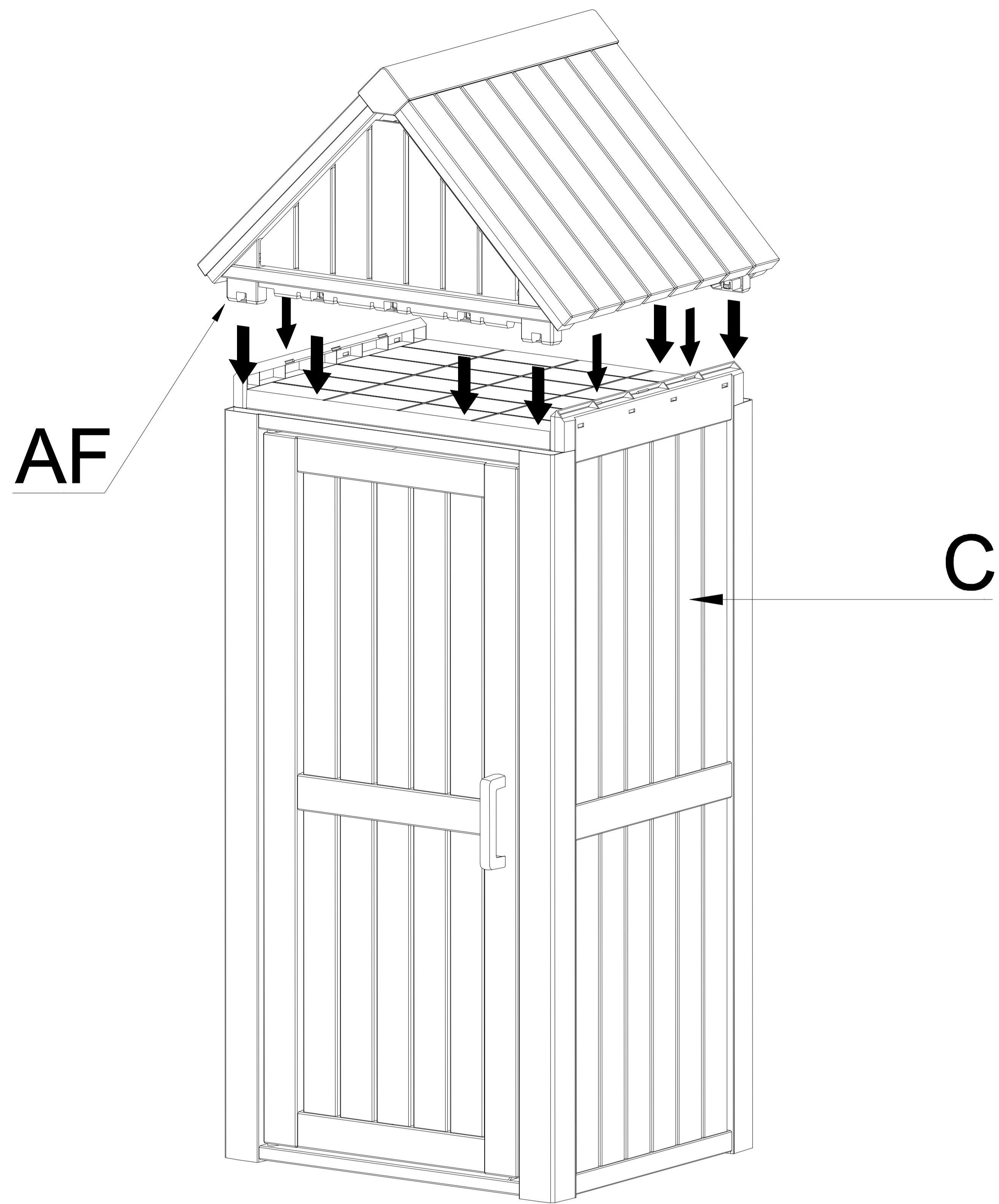
10



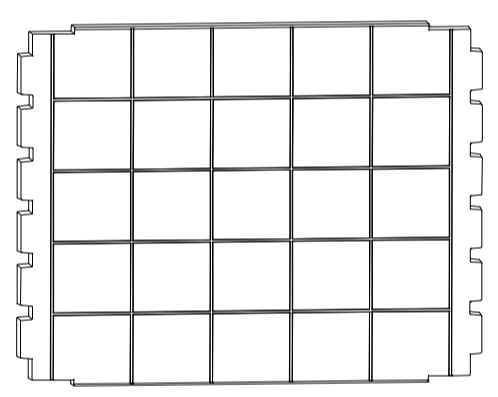
AF(X2)



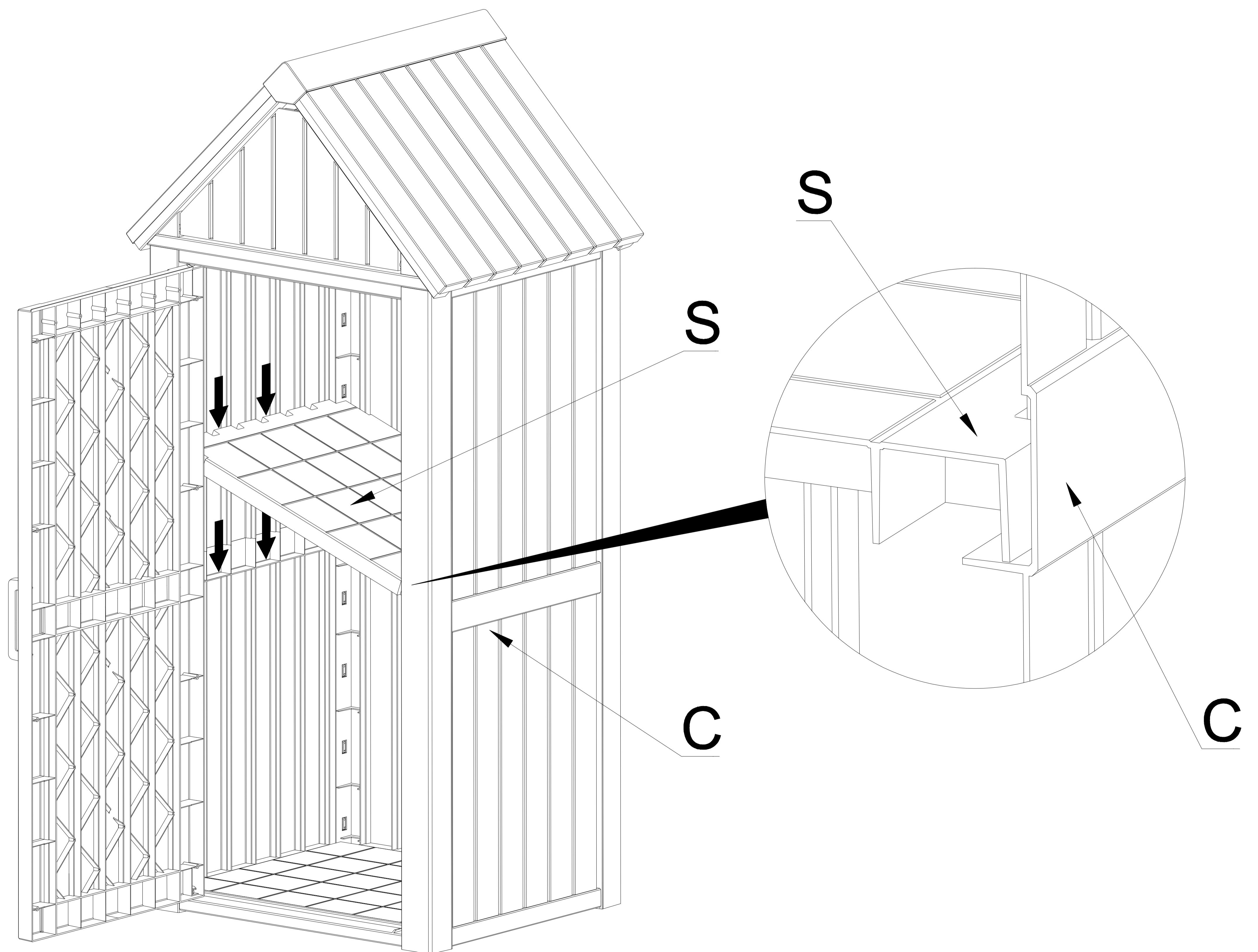
11



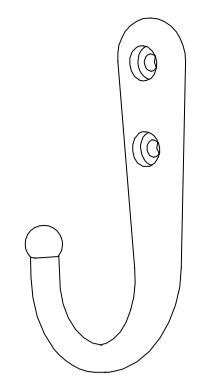
12



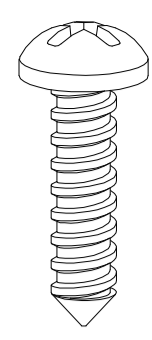
S(X1)



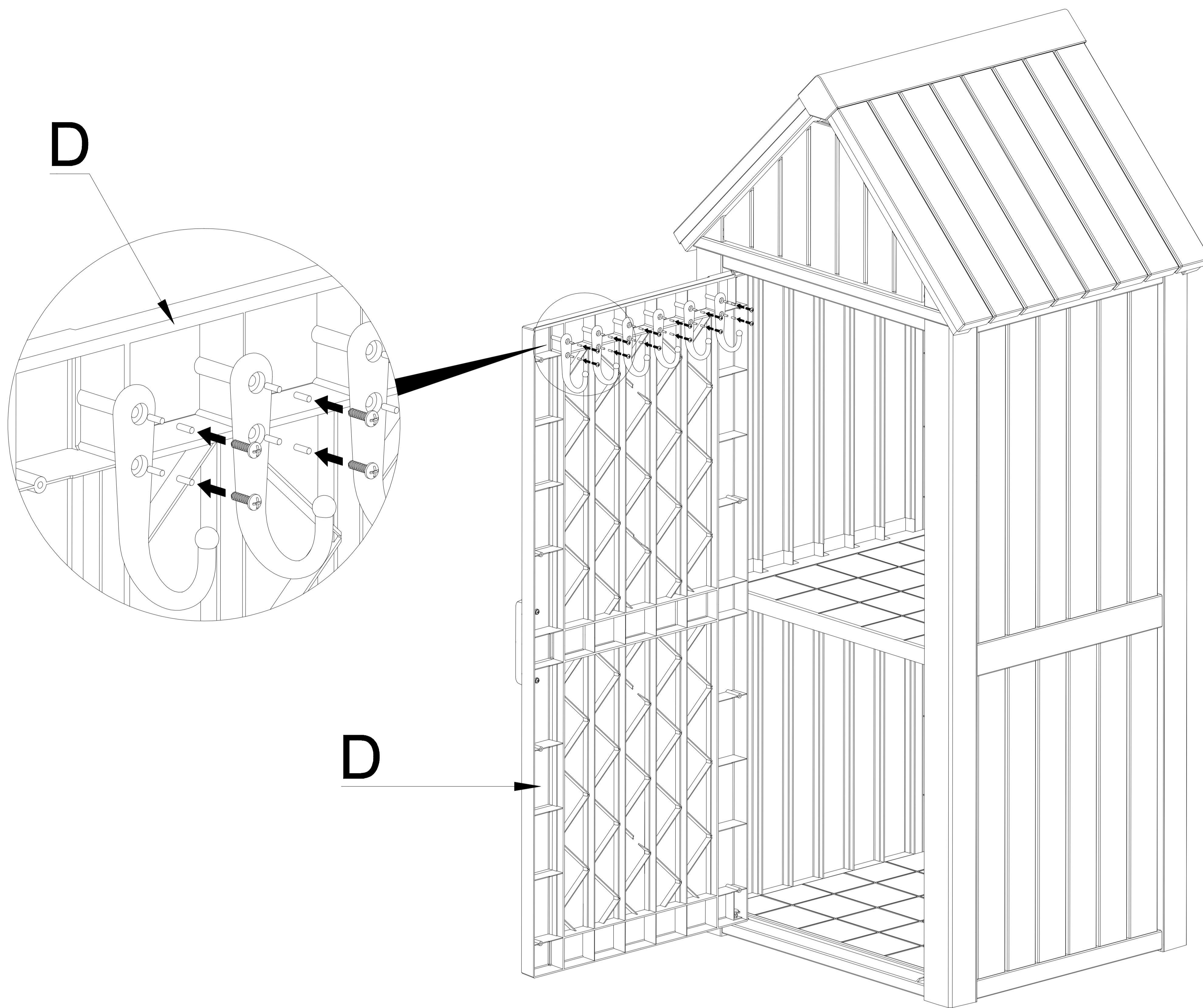
13



(X6)



M4x16mm
(X12)



14

