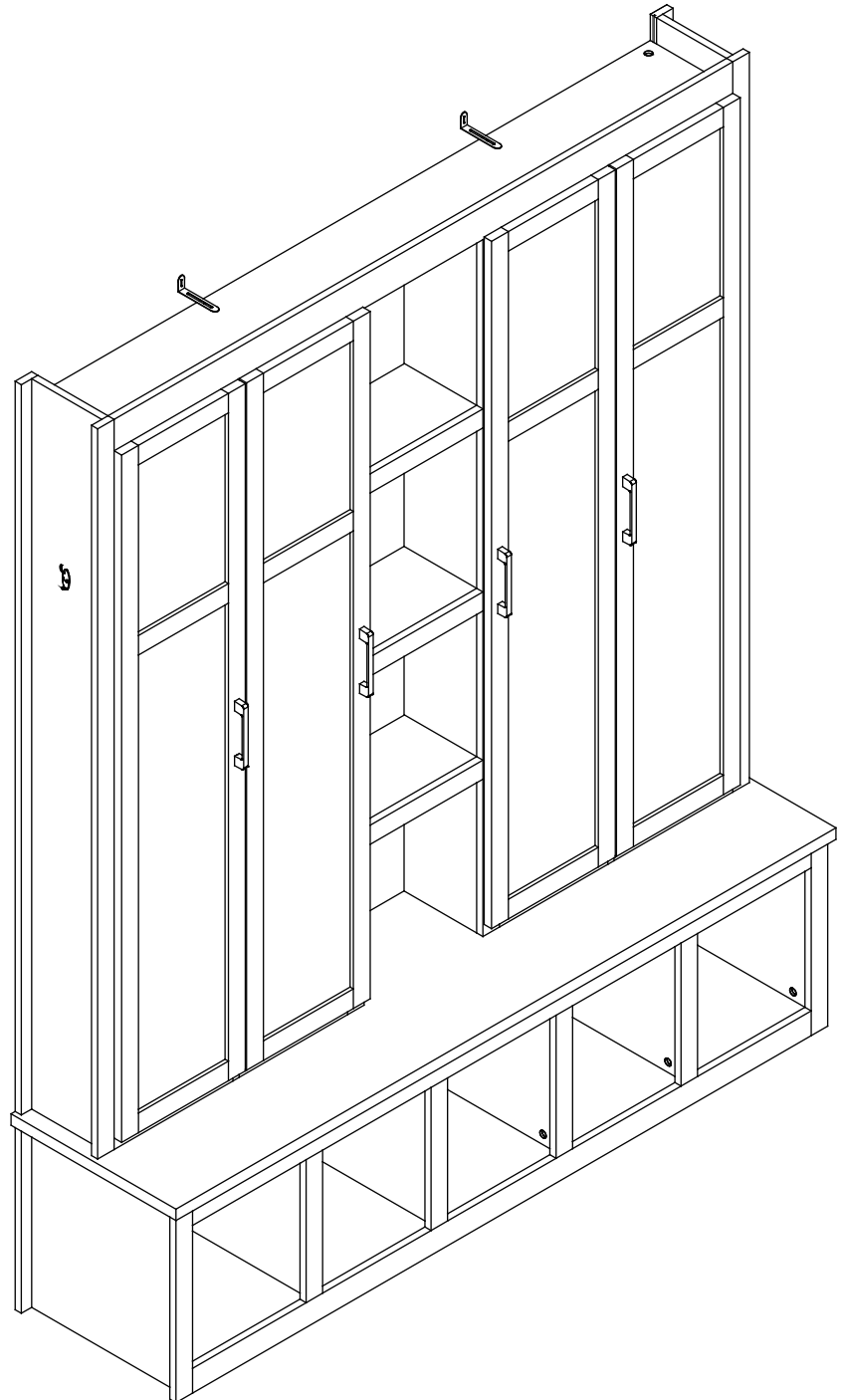


# Hall Tree

Assembly Instructions - Please keep for future reference



## Dimensions

Width- 63inch

Depth-15.75inch

Height-76.77inch

Important – Please read these instructions fully before starting assembly



# Safety and Care Advice

**Important – Please read these instructions fully before starting assembly**

- Check you have all the components and tools listed on the following pages.
- Remove all fittings from the plastic bags and separate them into their groups.
- Keep children and animals away from the work area, small parts could choke if swallowed.
- Make sure you have enough space to layout the parts before starting.

- During assembly do not stand or put weight on the product, this could cause damage.
- Assemble the item as close to its final position (in the same room) as possible.
- Assemble on a soft level surface to avoid damaging the unit or your floor.
- Parts of the assembly will be easier with 2 people.



power drill is set on a low torque setting.

- To reduce the likelihood of damaging your product please ensure that your

## Care and maintenance

- Only clean using a damp cloth and mild detergent, do not use bleach or abrasive cleaners.
- From time to time check that there are no loose screws on this unit.
- This product should not be discarded with household waste. Take to your local authority waste disposal centre.

## Handy Hints

- Assemble all parts and bolts loosely during assembly, only once the product is complete should you fully tighten the bolts
- Regularly check and ensure That all bolts and fittings are tightend properly.

**WARNING**  
**In order to help prevent overturning – please follow these instructions**

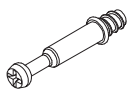


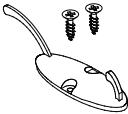

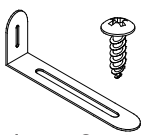

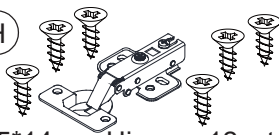
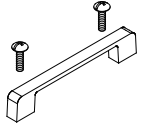
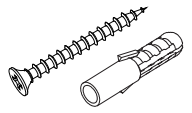
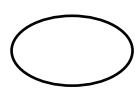
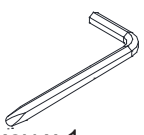
To help prevent product toppling over please follow the below steps:-

- Use the anti tip stap or wall fixing method provided (if applicable)
- Do not allow children to climb or hang on the furniture
- Do not open more than one drawer at a time
- Do not place heavy items in the top drawers
- Do not place heavy items on top of the furniture, unless the furniture has been designed for this purpose

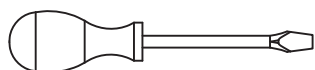
# Components - Fittings

Please check you have all the panels listed below

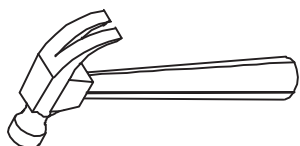
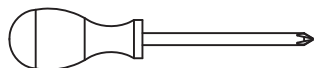
Note: The quantities below are the correct amount to complete the assembly. In some cases more fittings may be supplied than are required

<p>(A) </p> <p>Cam Bolt x 148+2</p>	<p>(B) </p> <p>6*30mm Dowel x 67+2</p>	<p>(C) </p> <p>Cam lock x 148+2</p>	<p>(D) </p> <p>3*14mm Hook x 6set</p>
<p>(E) </p> <p>6*50mm Dowel x 2</p>	<p>(F) </p> <p>Anti-tipping x 2set</p>	<p>(G) </p> <p>4*40mm Screw x 30+2</p>	<p>(H) </p> <p>3.5*14mm Hinge x 12set</p>
<p>(I) </p> <p>4*18mm Handle x 4set</p>	<p>(J) </p> <p>Expansion screws x 2set</p>	<p>(K) </p> <p>Perfect fit x 85</p>	<p>(L) </p> <p>Allen key x 1</p>

**Tools required** Not Included



Phillips screwdriver  
(medium & large)



# Using Camlocks

## Step 1

Connect the male camlock as directed in the assembly instructions using a screwdriver.

1

DO NOT OVER TIGHTEN.  
NE PAS SERRER EXCESSIVEMENT.



## Step 2

Push the male camlock into the entry hole.

2

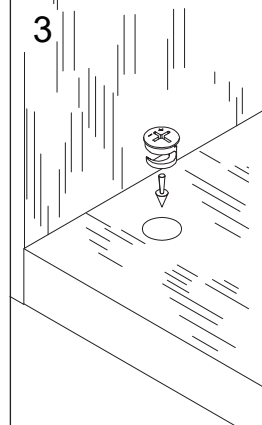


## Step 3

Insert the female camlock as shown in the instruction.

Note: ensure that the arrow on the top of the camlock points towards the entry hole for the male camlock.

3



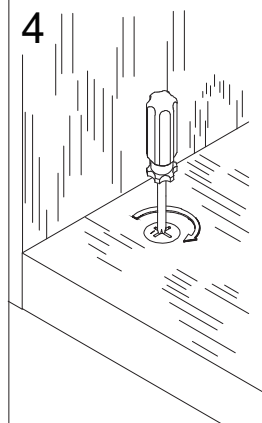
## Step 4

Turn the female camlock clockwise with a screwdriver.

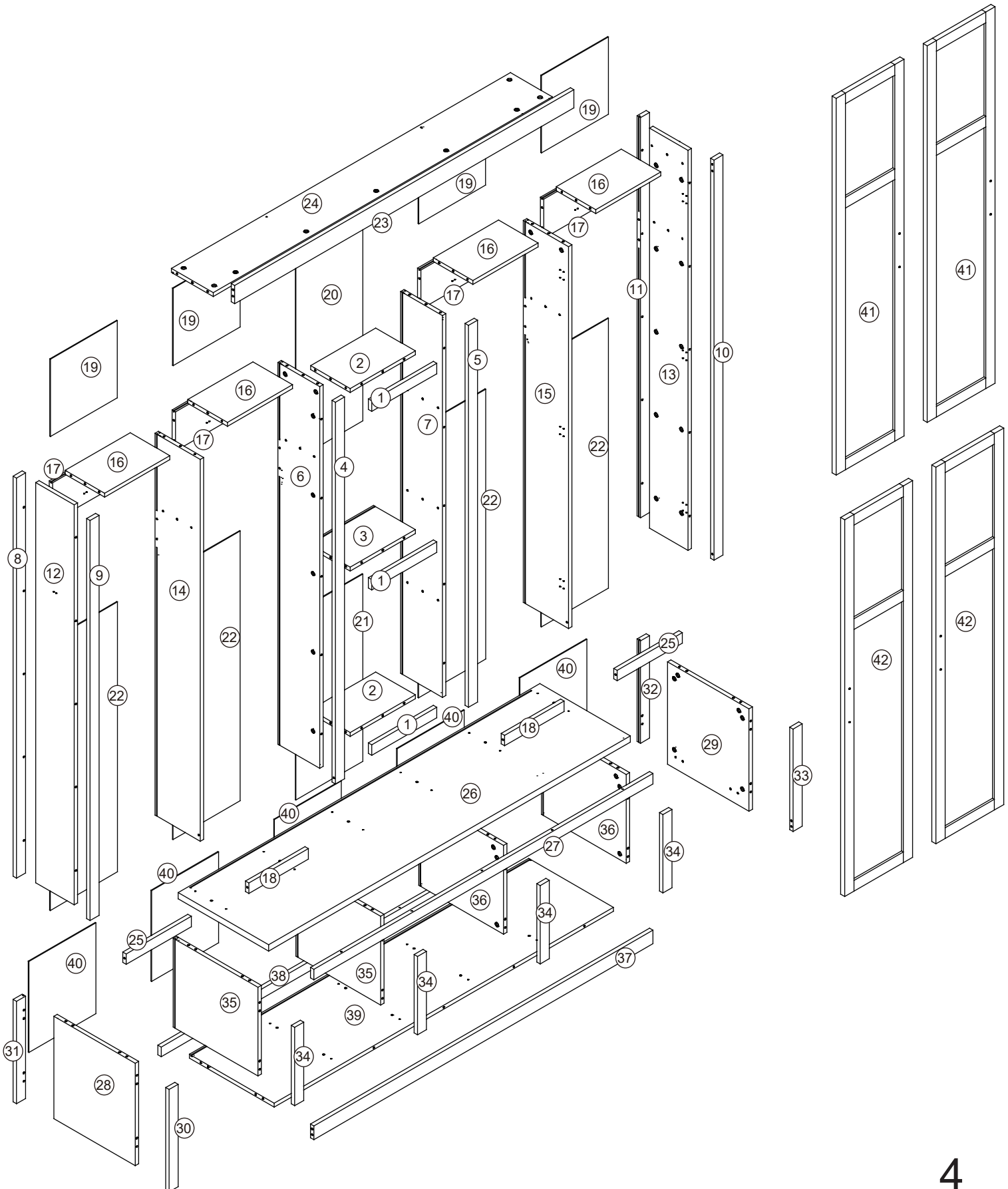
You should feel a click when the camlock is locked in place.

The joint is now secure.

4

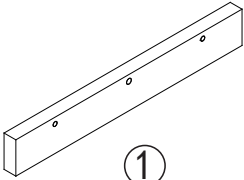
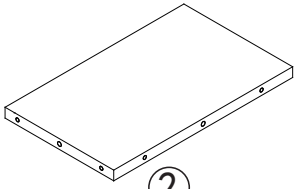
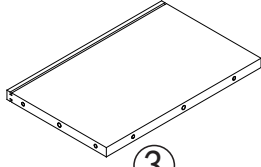






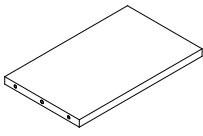
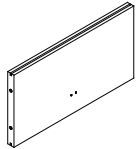
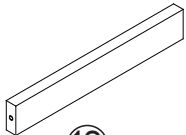
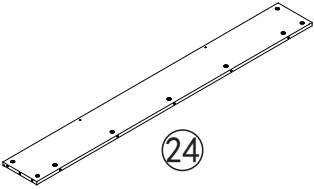
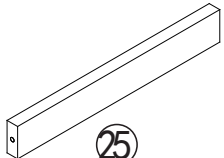







# Assembly Instructions









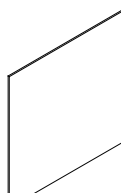


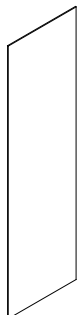
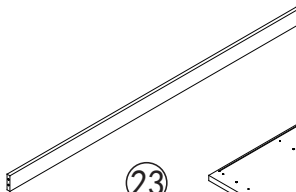
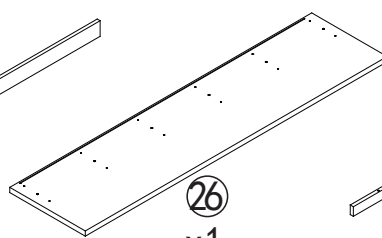
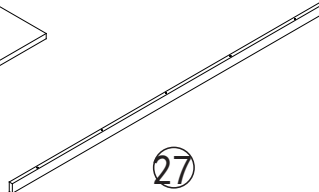
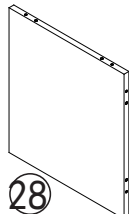
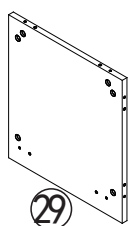
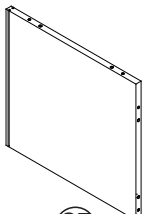
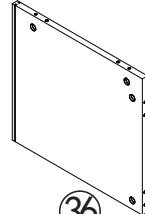
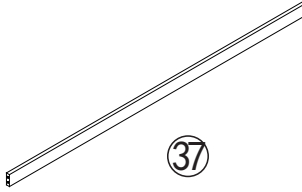
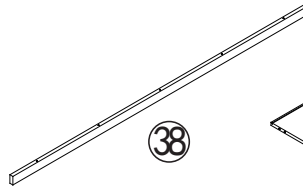
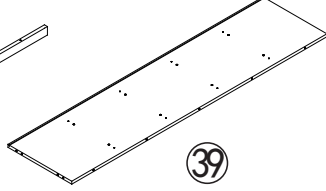
# PART LIST

This product comes in 2 box.

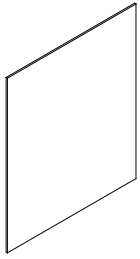
 <p>① x3 288x40x15mm</p>	 <p>② x2 288x175x15mm</p>	 <p>③ x1 288x185x15mm</p>	 <p>⑥ x1 1462x185x15mm</p>	
 <p>⑦ x1 1462x185x15mm</p>	 <p>⑫ x1 1532x170x15mm</p>	 <p>⑬ x1 1532x170x15mm</p>	 <p>⑭ x1 1462x200x15mm</p>	 <p>⑮ x1 1462x200x15mm</p>
 <p>⑯ x4 288x175x15mm</p>	 <p>⑰ x4 288x150x15mm</p>	 <p>⑱ x2 263x40x15mm</p>	 <p>⑳ x1 1500x185x15mm</p>	 <p>㉕ x2 288x40x15mm</p>
 <p>㉓ x1 392x40x15mm</p>	 <p>㉔ x1 392x40x15mm</p>	 <p>㉖ x1 392x40x15mm</p>	 <p>㉗ x1 392x40x15mm</p>	 <p>㉘ x4 300x40x15mm</p>

# PART LIST

This product comes in 2 box.

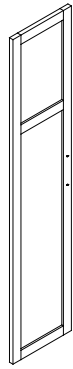
 ④ x1 1462x40x15mm	 ⑤ x1 1462x40x15mm	 ⑧ x1 1532x40x15mm	 ⑨ x1 1532x40x15mm	 ⑩ x1 1532x40x15mm
 ⑪ x1 1532x40x15mm	 ⑲ x4 296x296x3mm	 ⑳ x1 720x296x3mm	 ㉑ x1 747x296x3mm	 ㉒ x4 1033x297x3mm
 ⑳ x1 1500x70x15mm	 ㉖ x1 1600x400x24mm	 ㉗ x1 1500x40x15mm	 ㉘ x1 392x360x15mm	 ㉙ x1 392x360x15mm
 ㉚ x2 375x340x15mm	 ㉛ x2 375x340x15mm	 ㉜ x1 1500x52x15mm	 ㉝ x1 1500x37x15mm	 ㉞ x1 1500x375x15mm

# PART LIST



④

x5  
348x296x3mm



④

x2  
1442x300x18mm



④

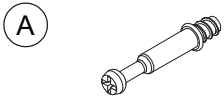
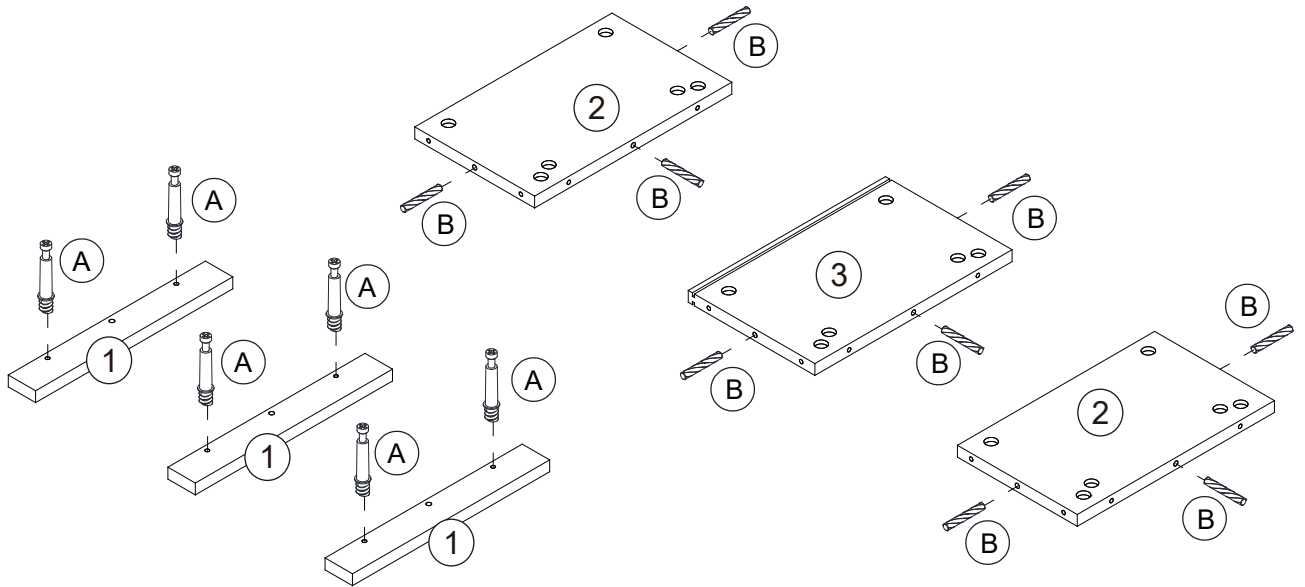
x2  
1442x300x18mm



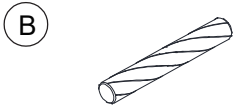
Hardware kit x1

# Assembly Instructions

## Step 1

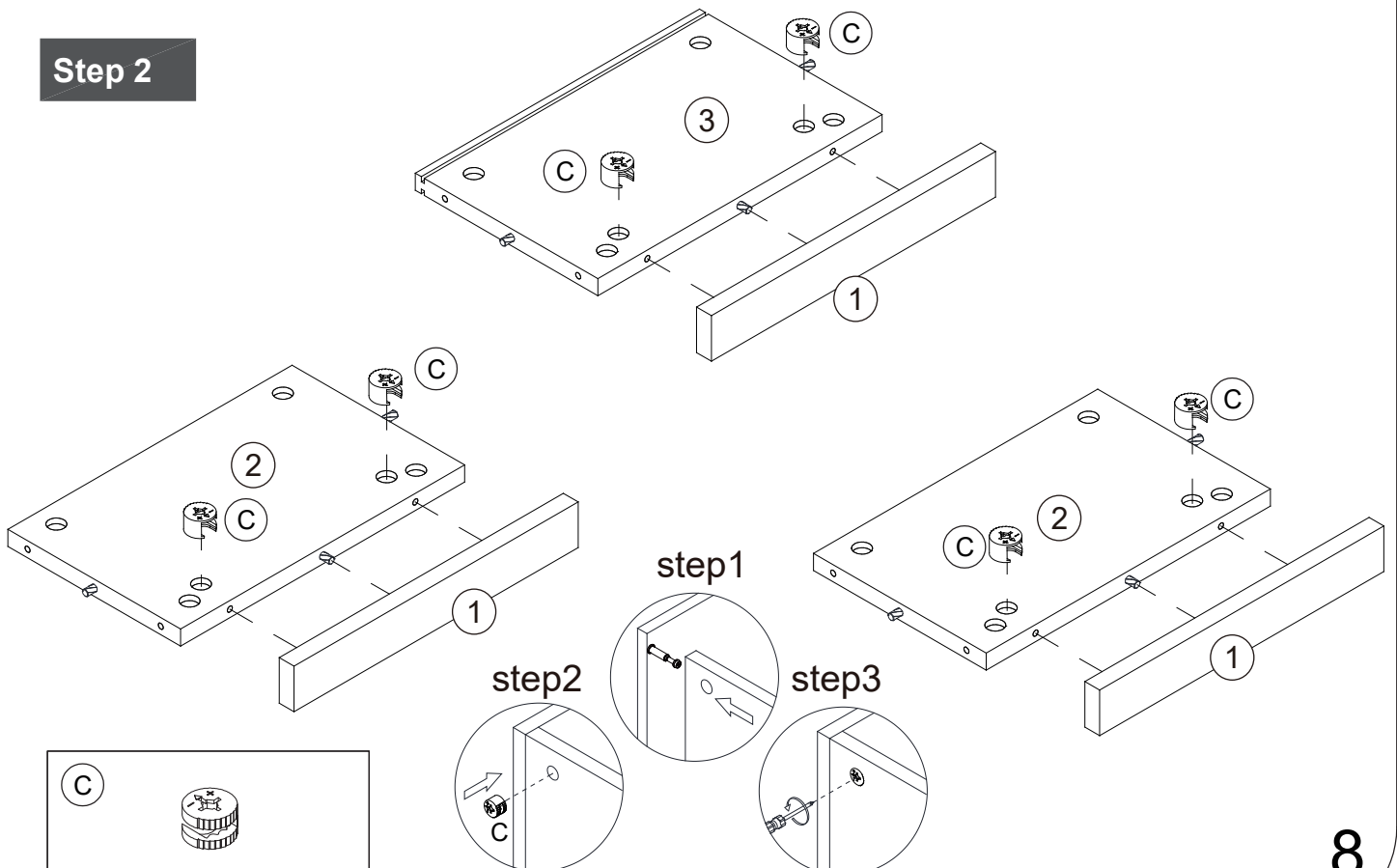


Cam Bolt x 6



6\*30mm Dowel x 9

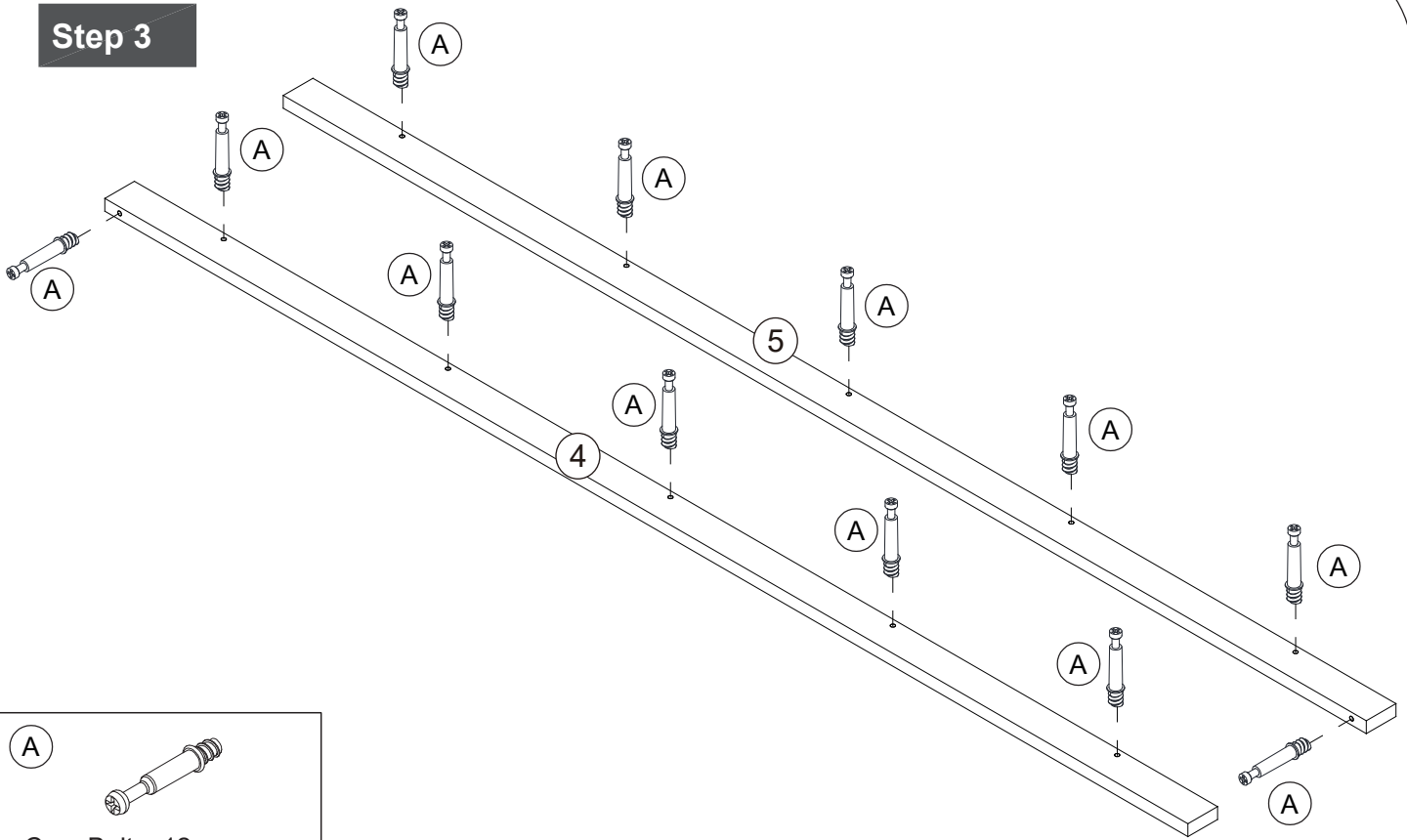
## Step 2



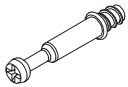
Cam lock x 6

# Assembly Instructions

## Step 3

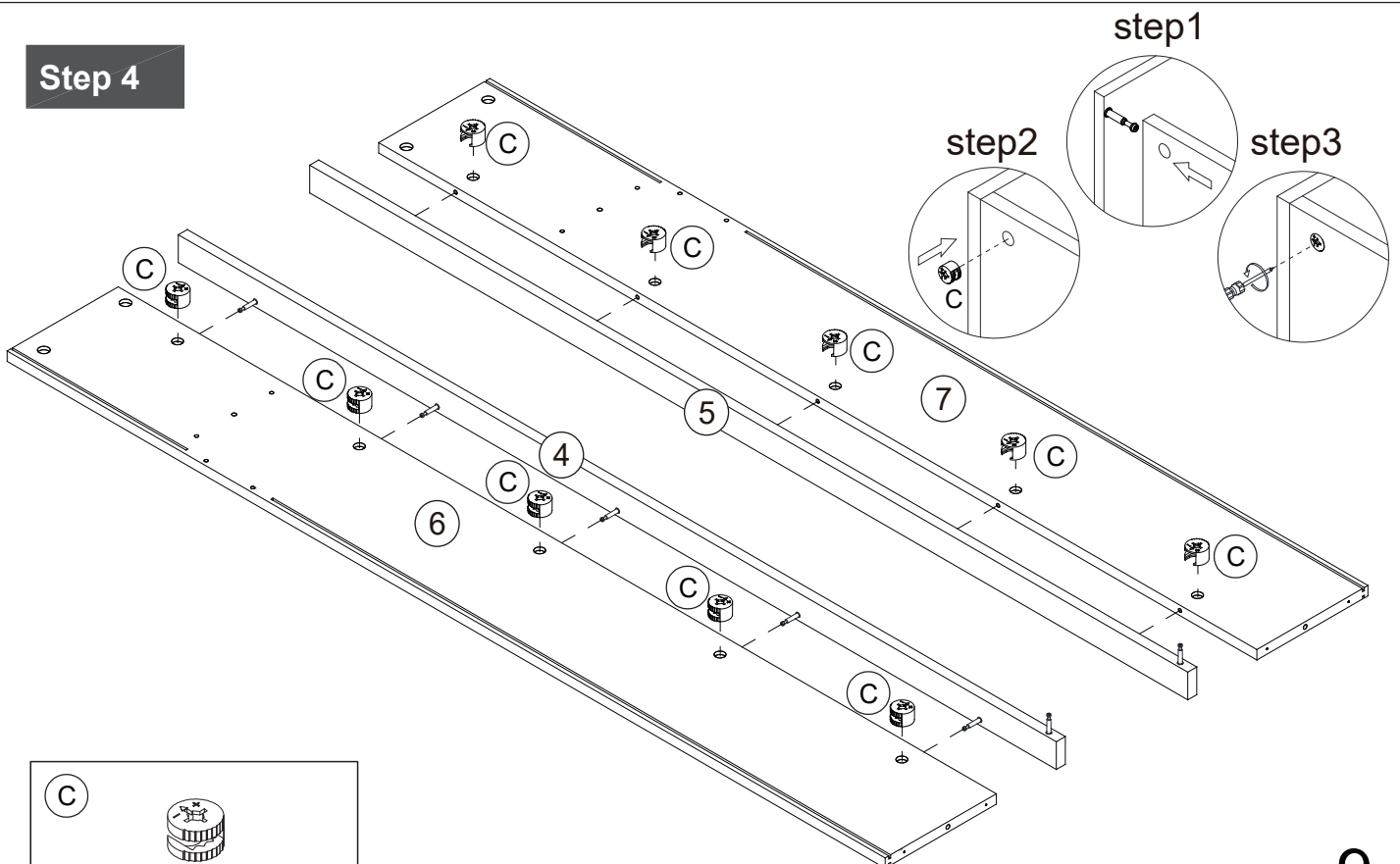


A



Cam Bolt x 12

## Step 4



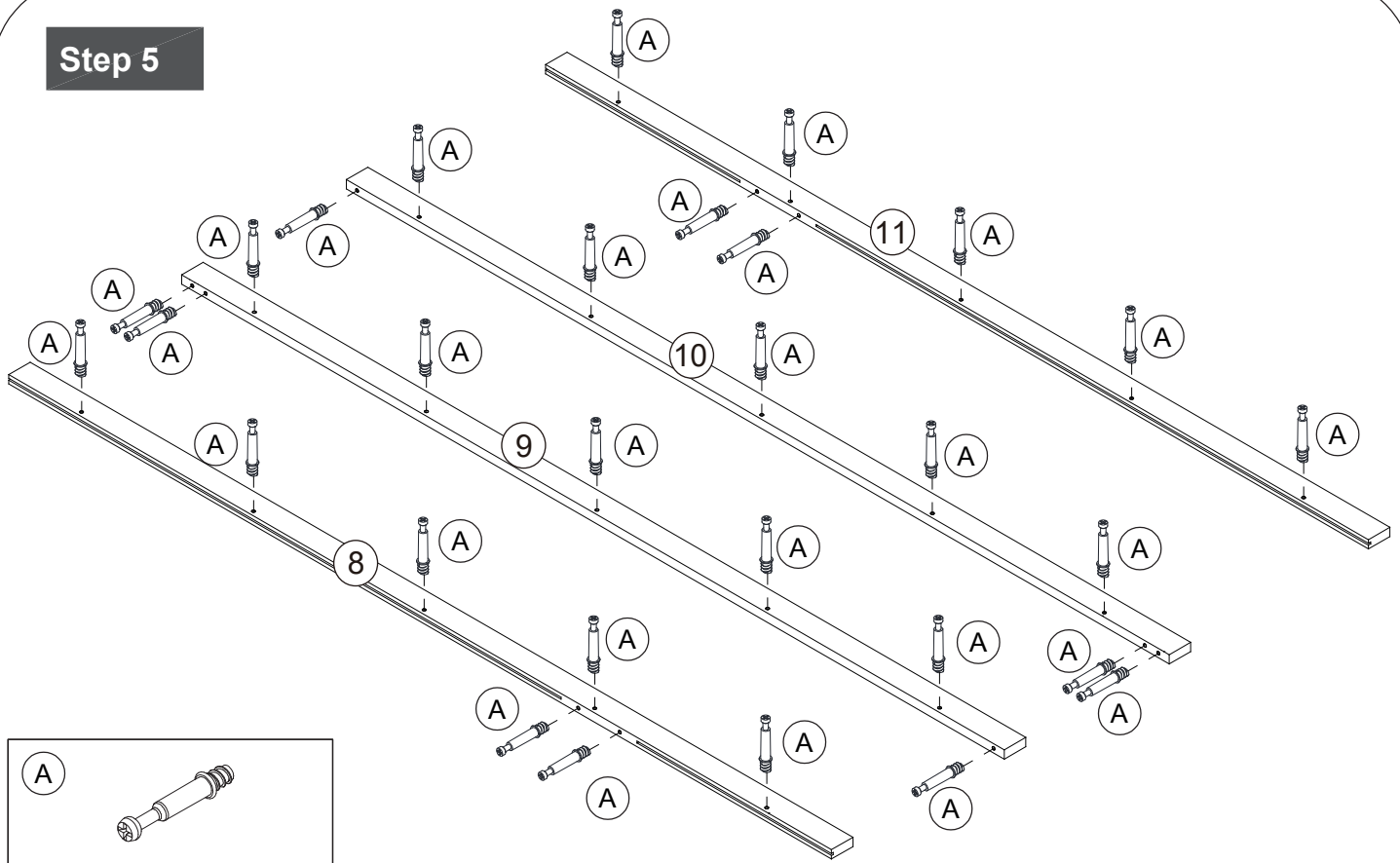
C



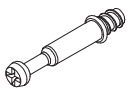
Cam lock x 10

# Assembly Instructions

## Step 5

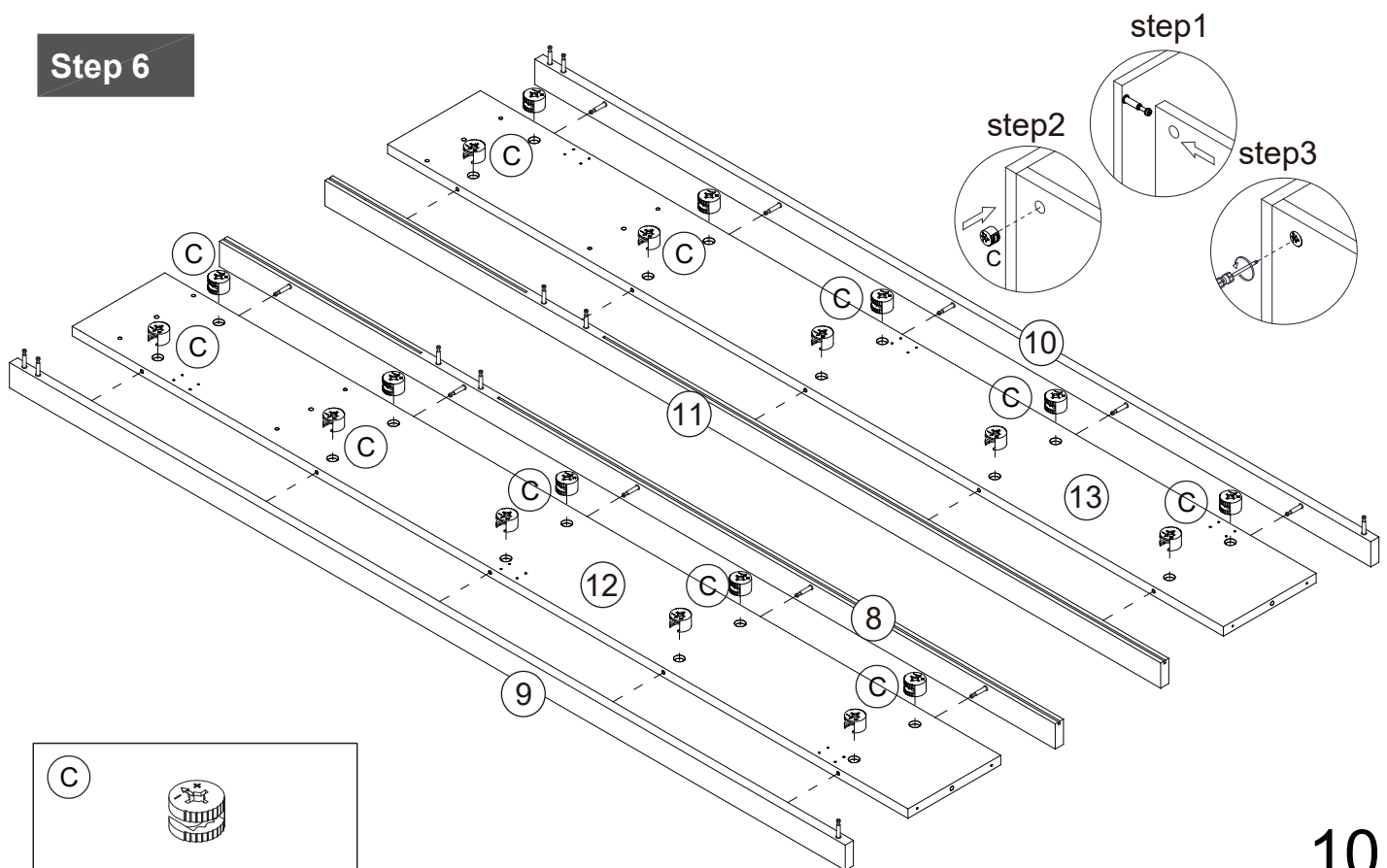


A



Cam Bolt x 30

## Step 6



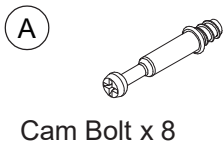
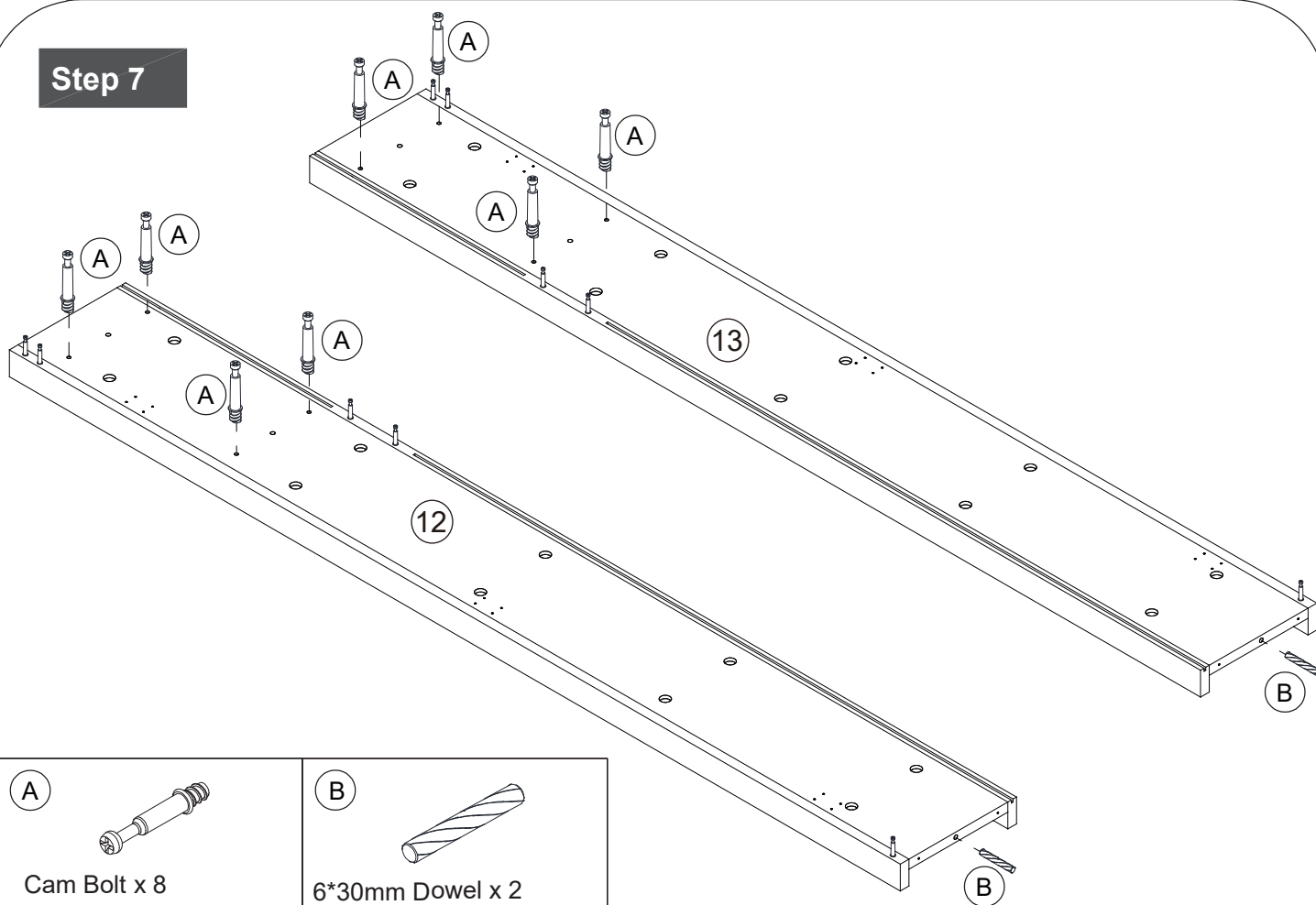
C



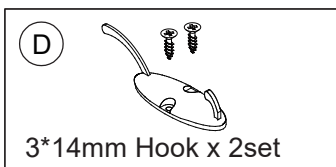
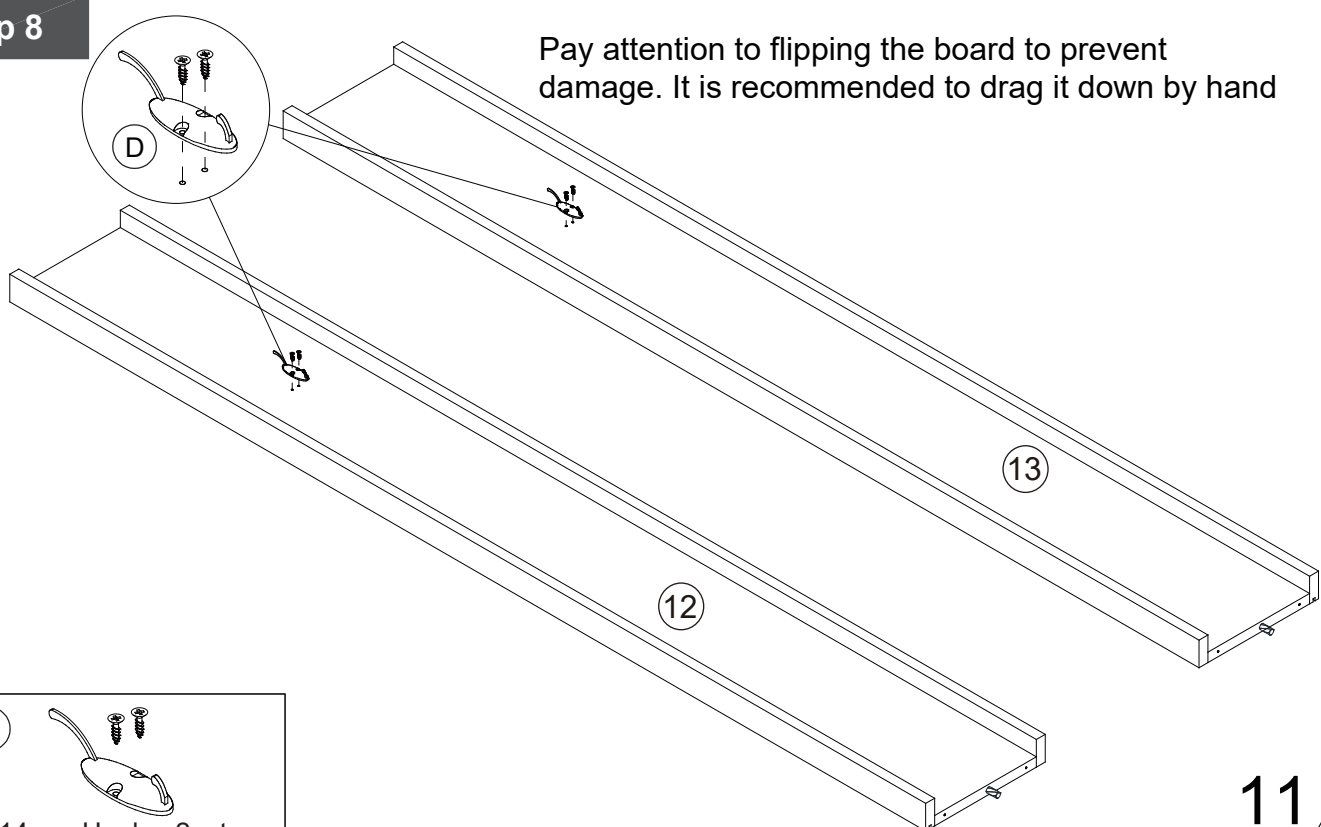
Cam lock x 20

# Assembly Instructions

## Step 7

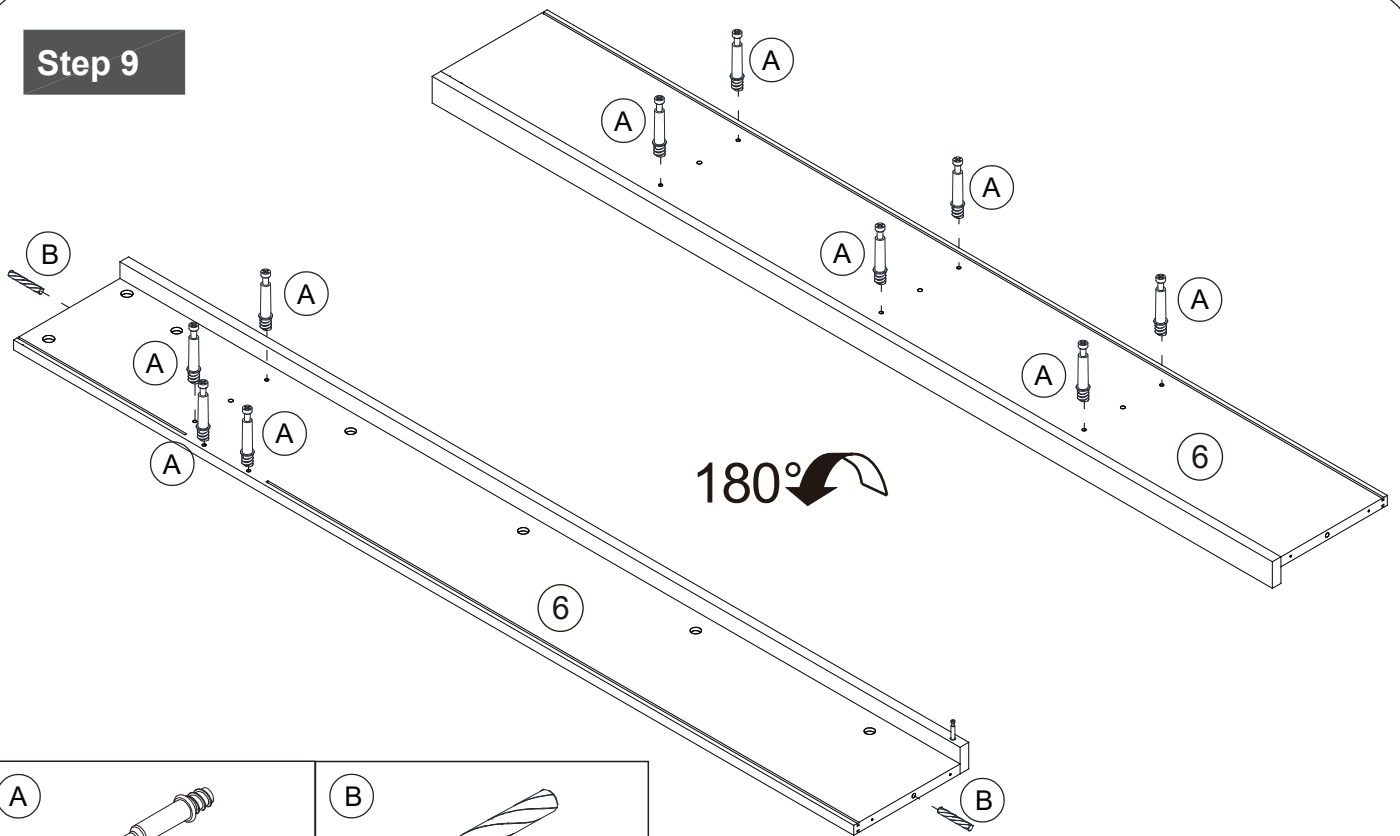


## Step 8

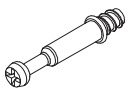


# Assembly Instructions

## Step 9

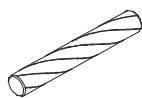


A



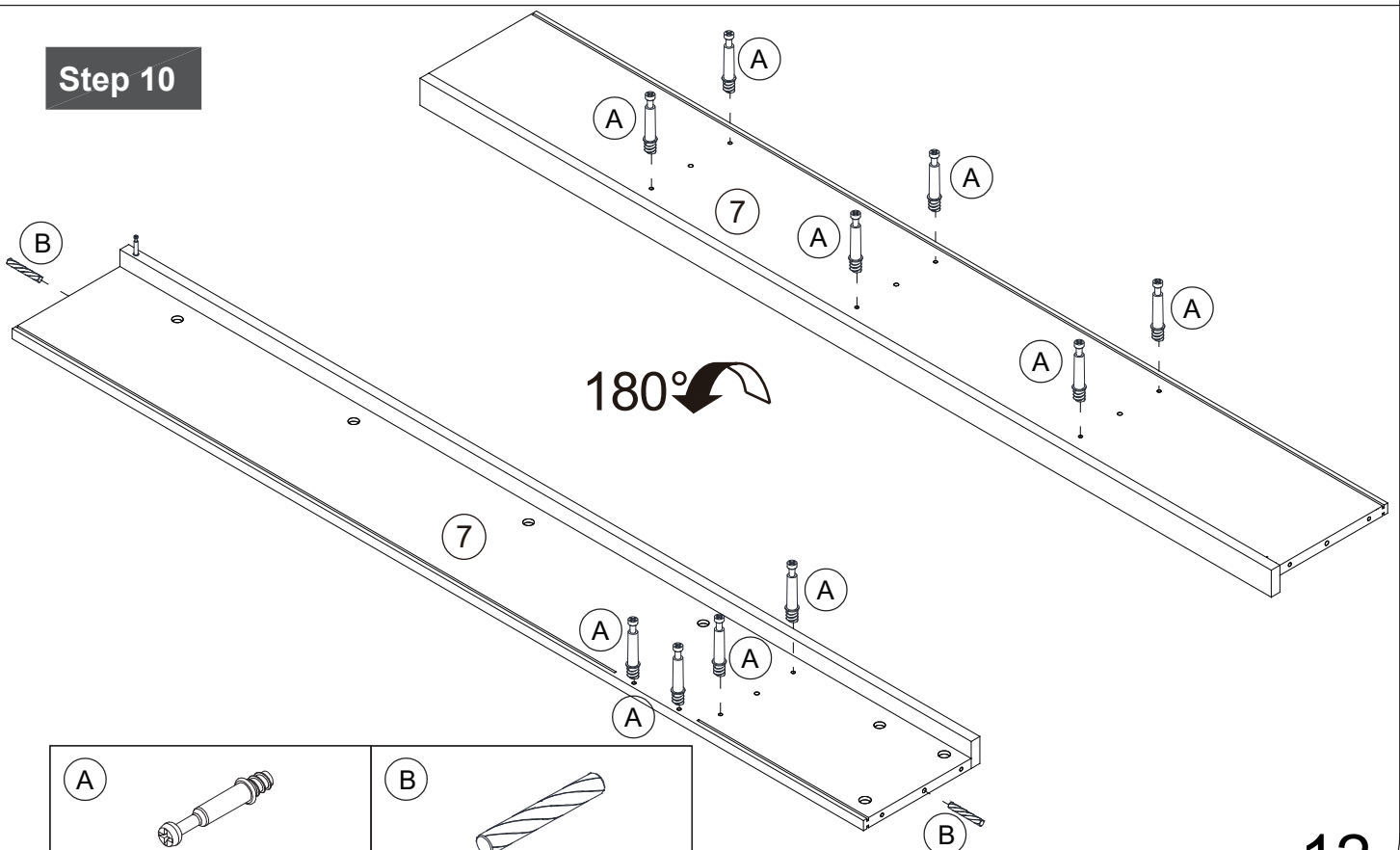
Cam Bolt x 10

B

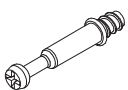


6\*30mm Dowel x 2

## Step 10



A



Cam Bolt x 10

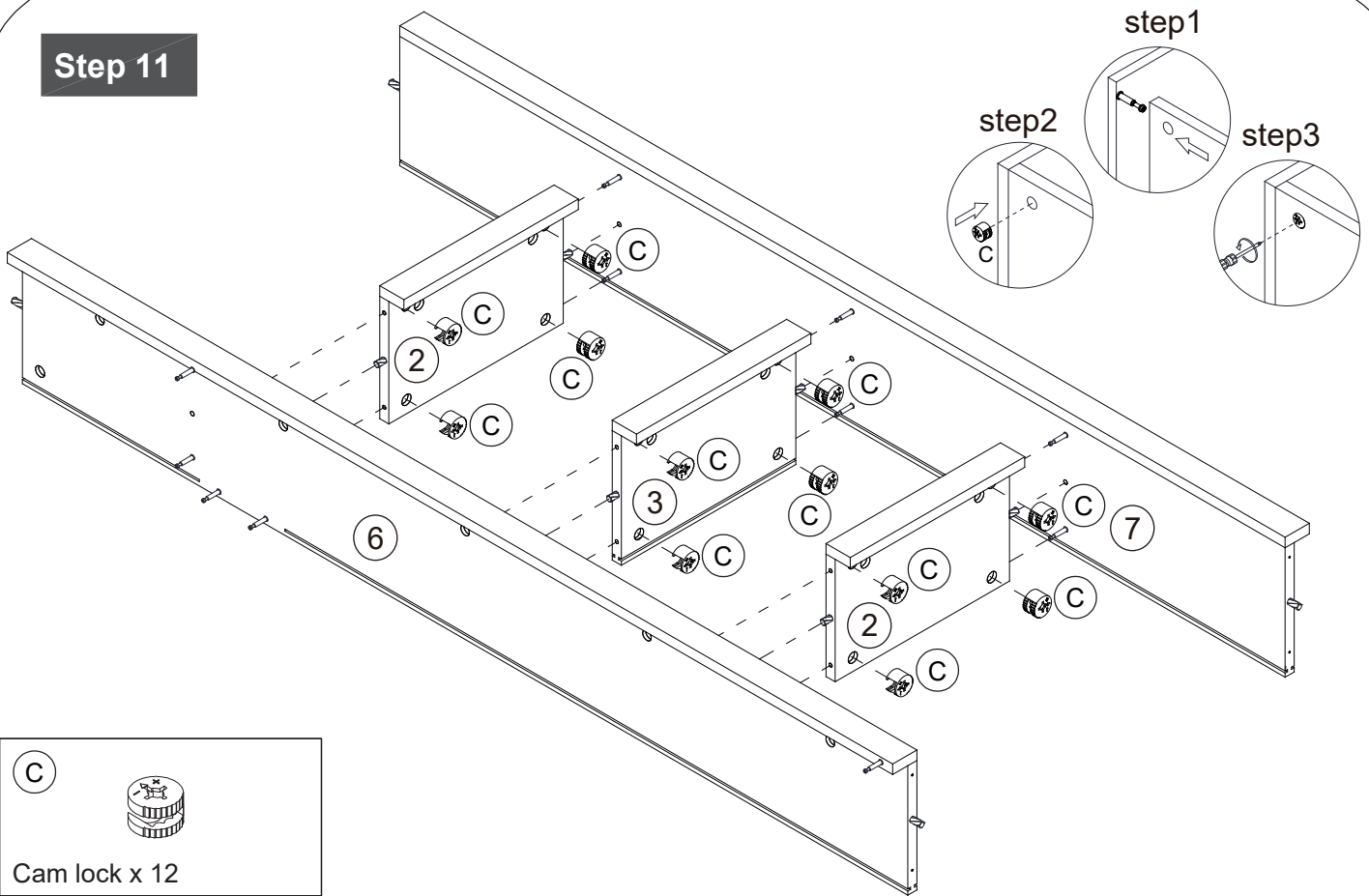
B



6\*30mm Dowel x 2

# Assembly Instructions

## Step 11

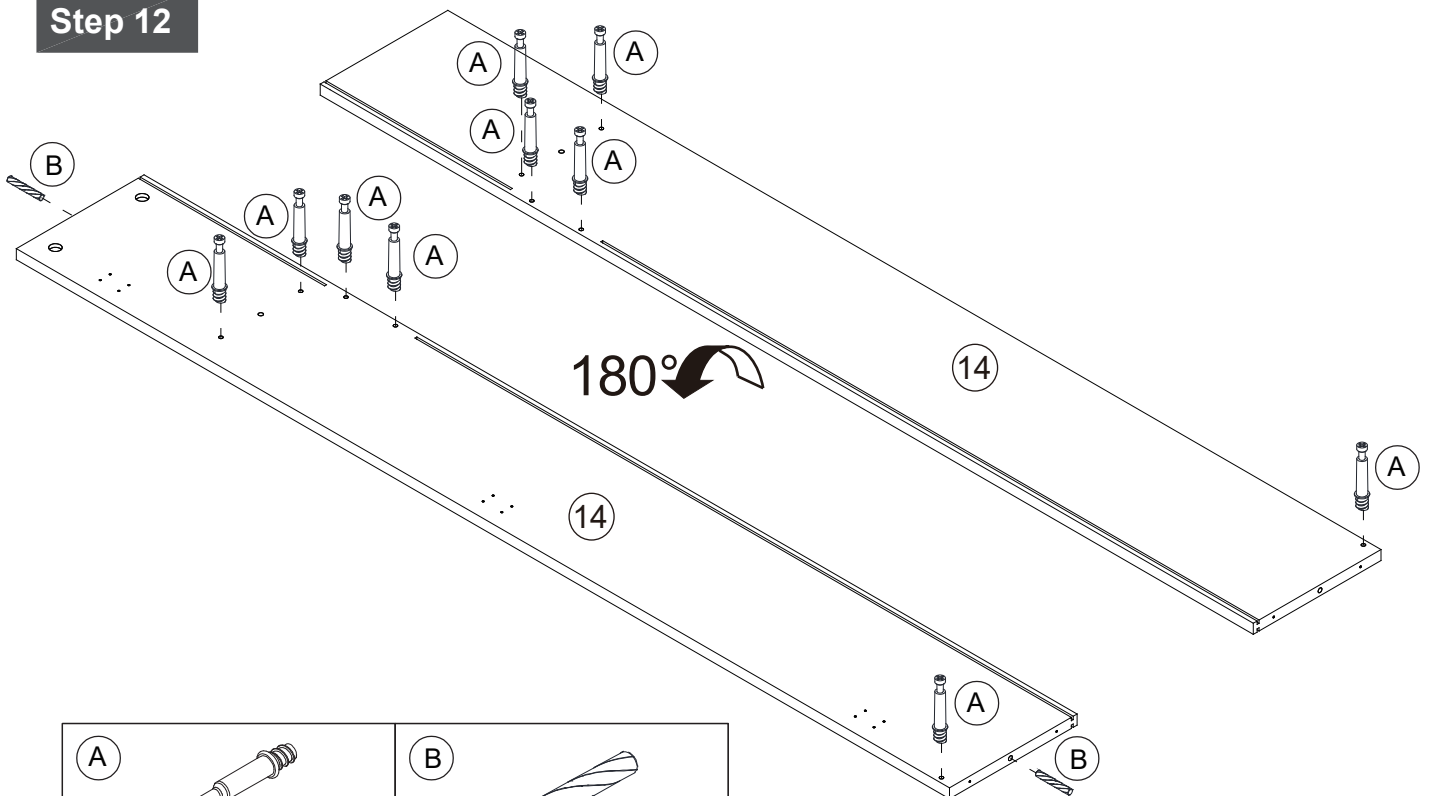


C

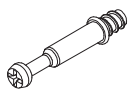


Cam lock x 12

## Step 12



A



Cam Bolt x 10

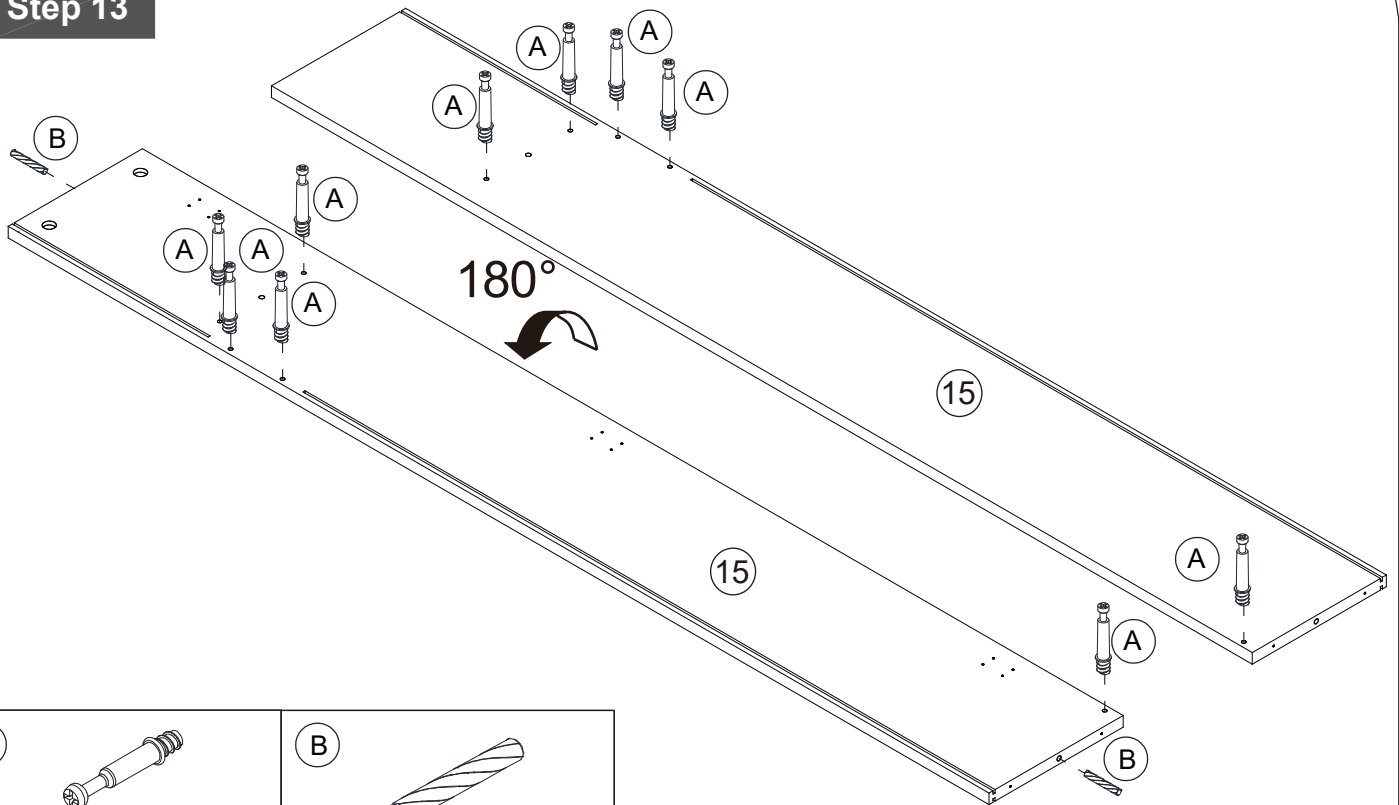
B



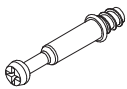
6\*30mm Dowel x 2

# Assembly Instructions

## Step 13

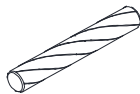


A



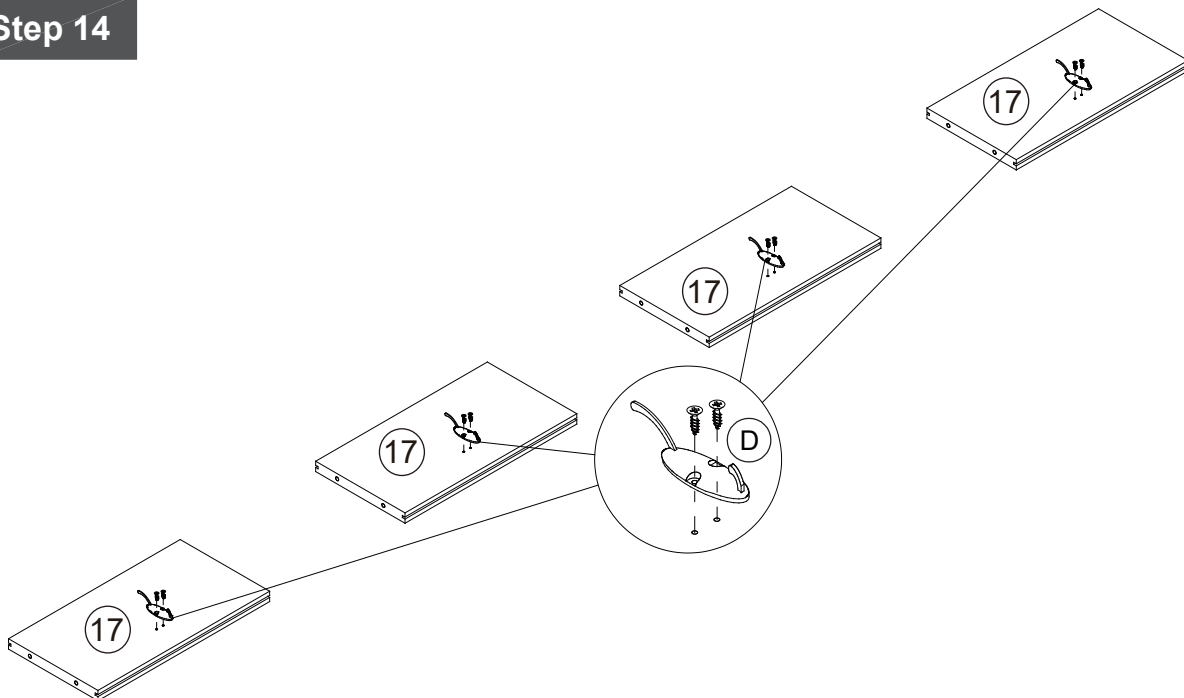
Cam Bolt x 10

B

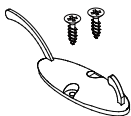


6\*30mm Dowel x 2

## Step 14



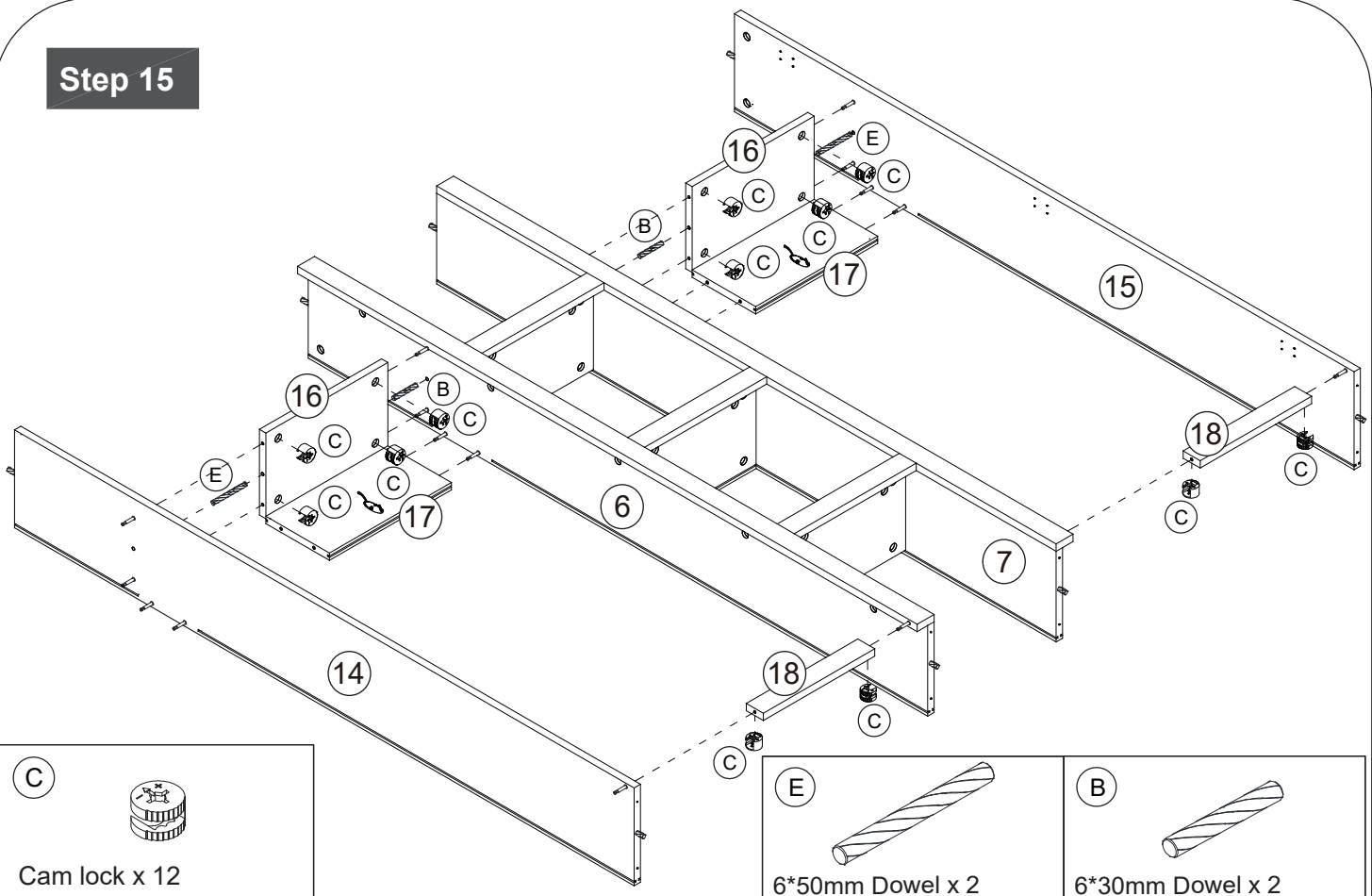
D



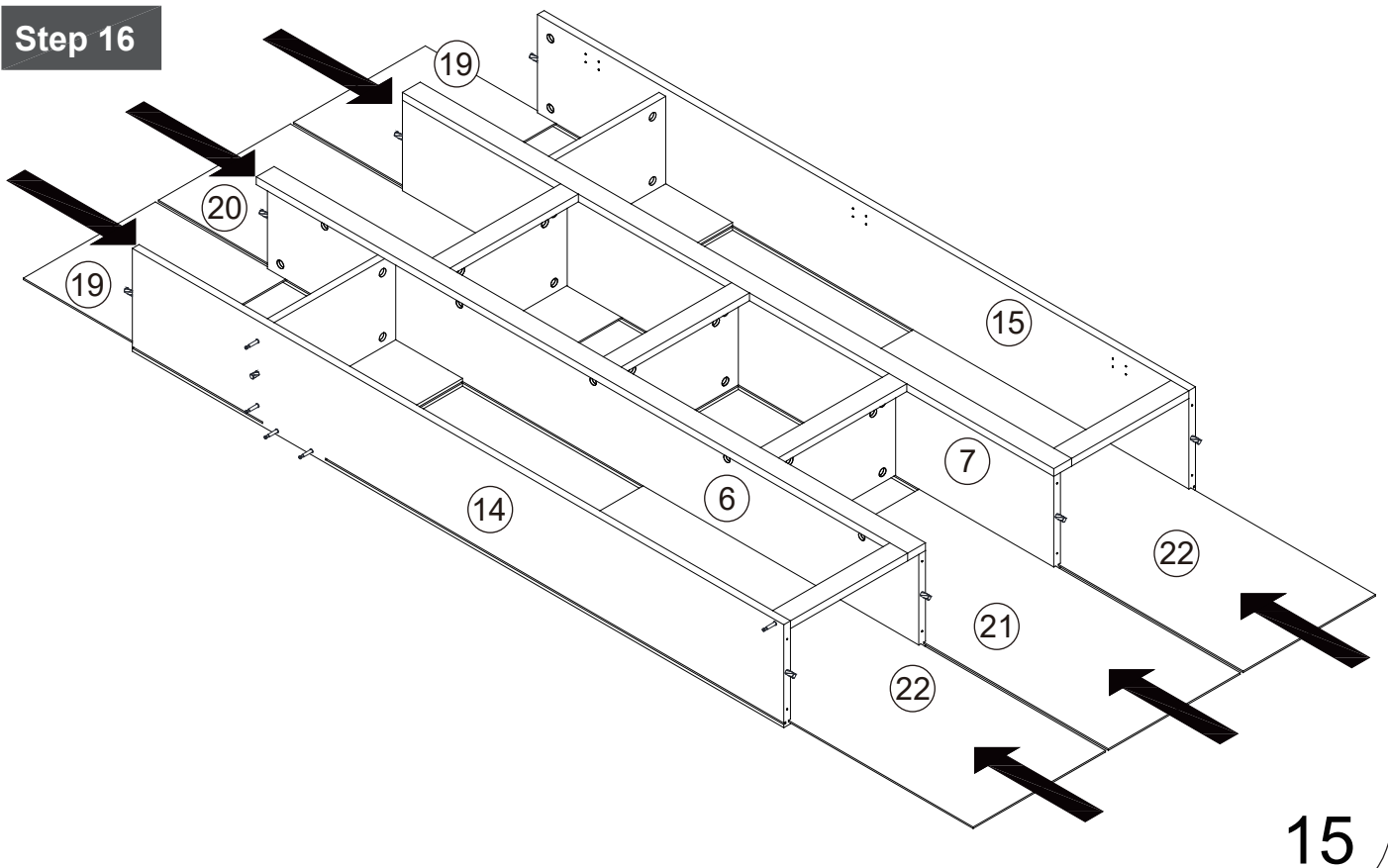
3\*14mm Hook x 4set

# Assembly Instructions

## Step 15

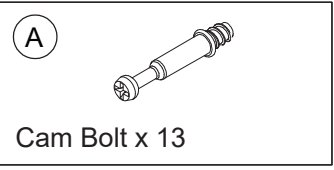
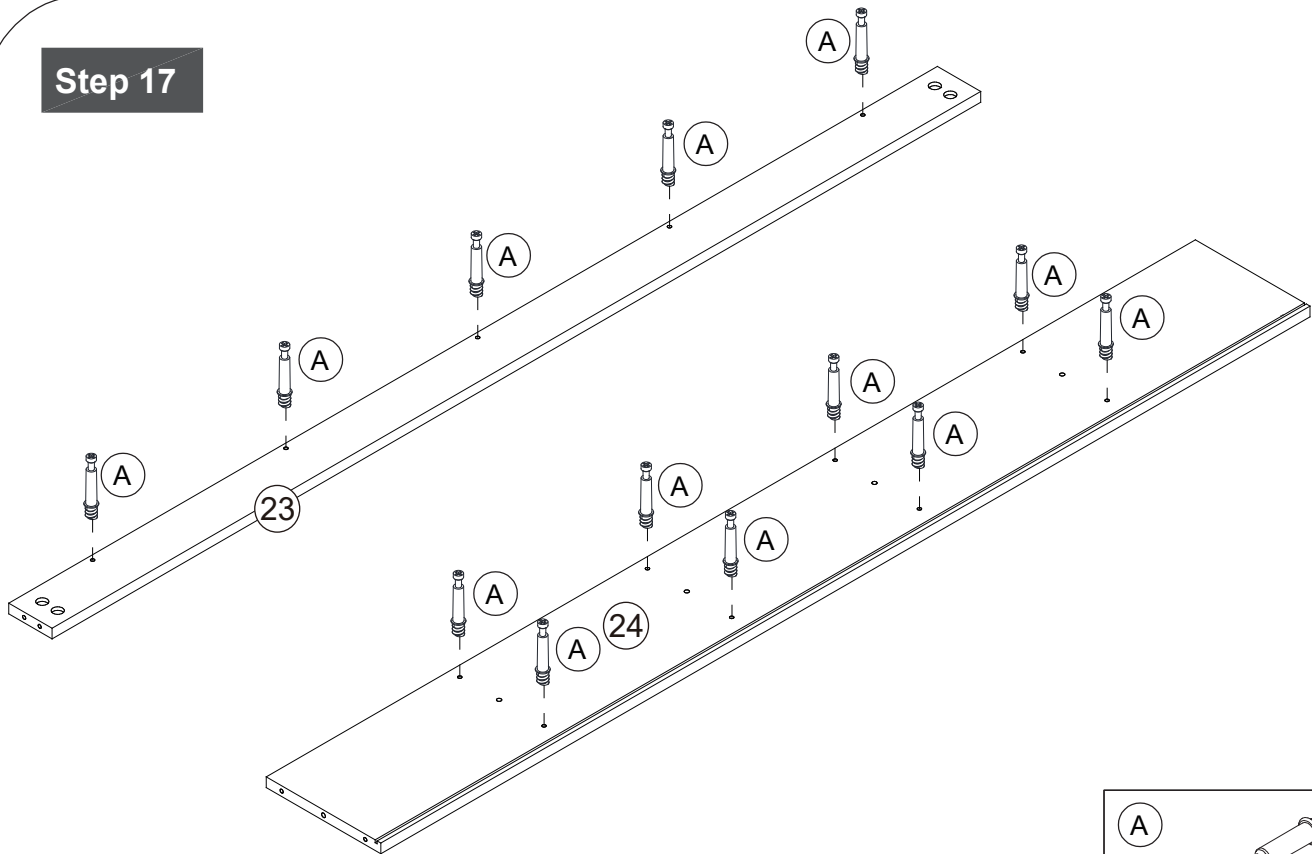


## Step 16

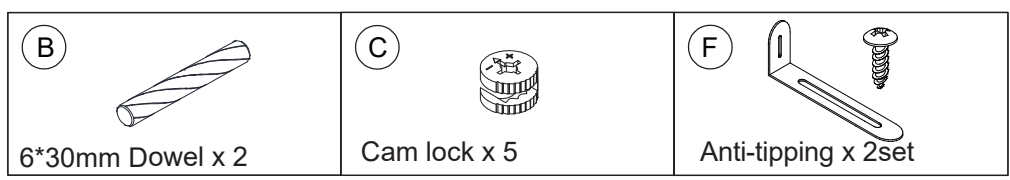
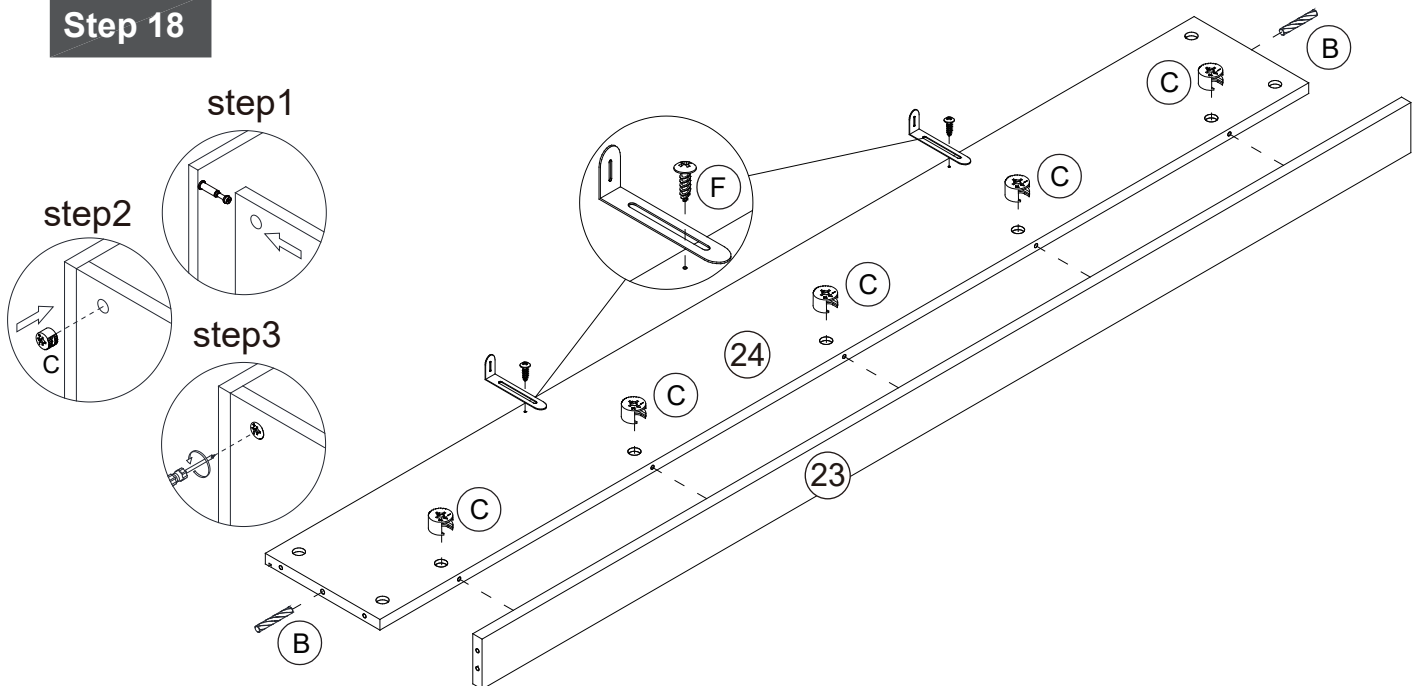


# Assembly Instructions

## Step 17

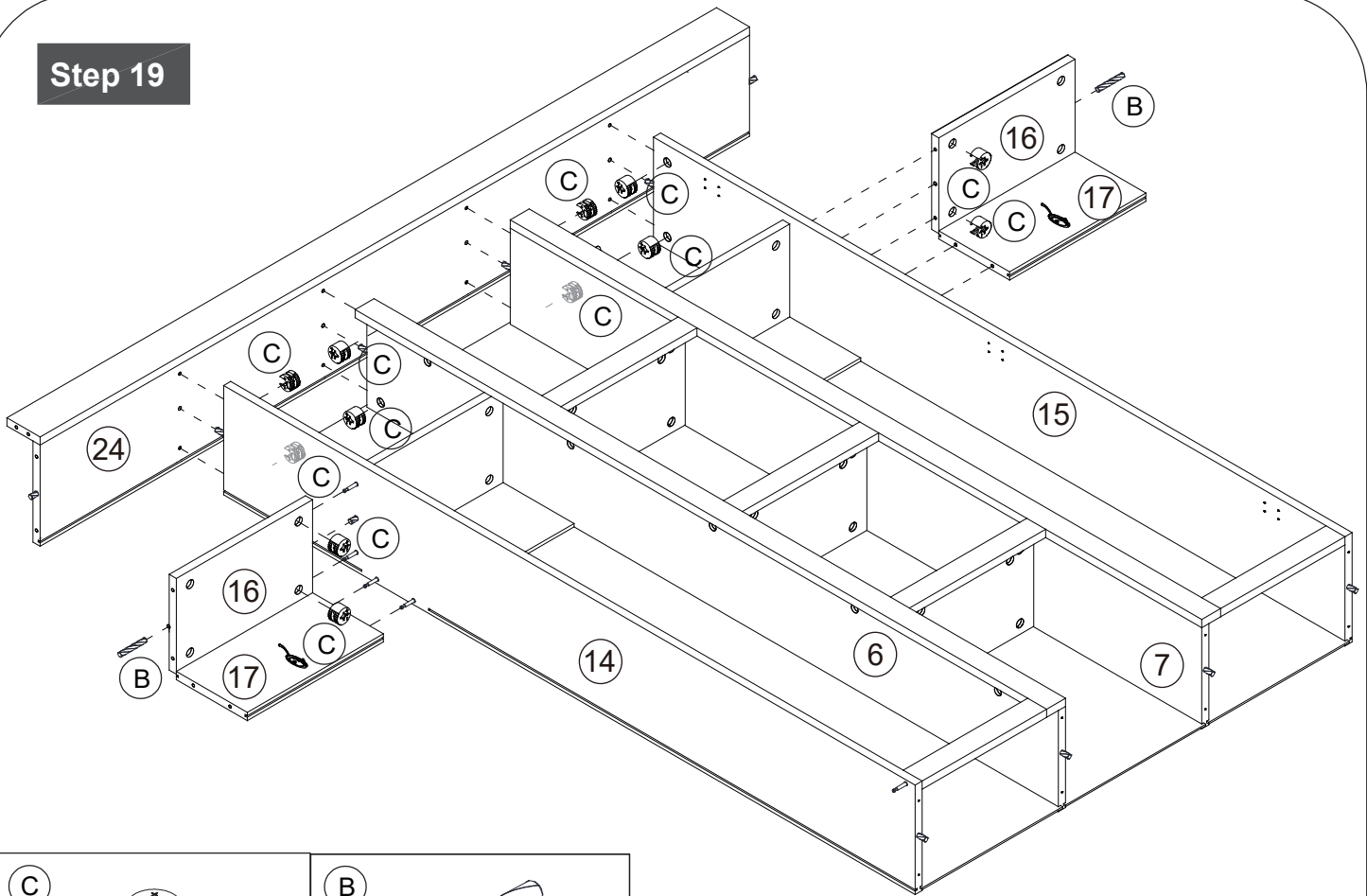


## Step 18



# Assembly Instructions

## Step 19



C



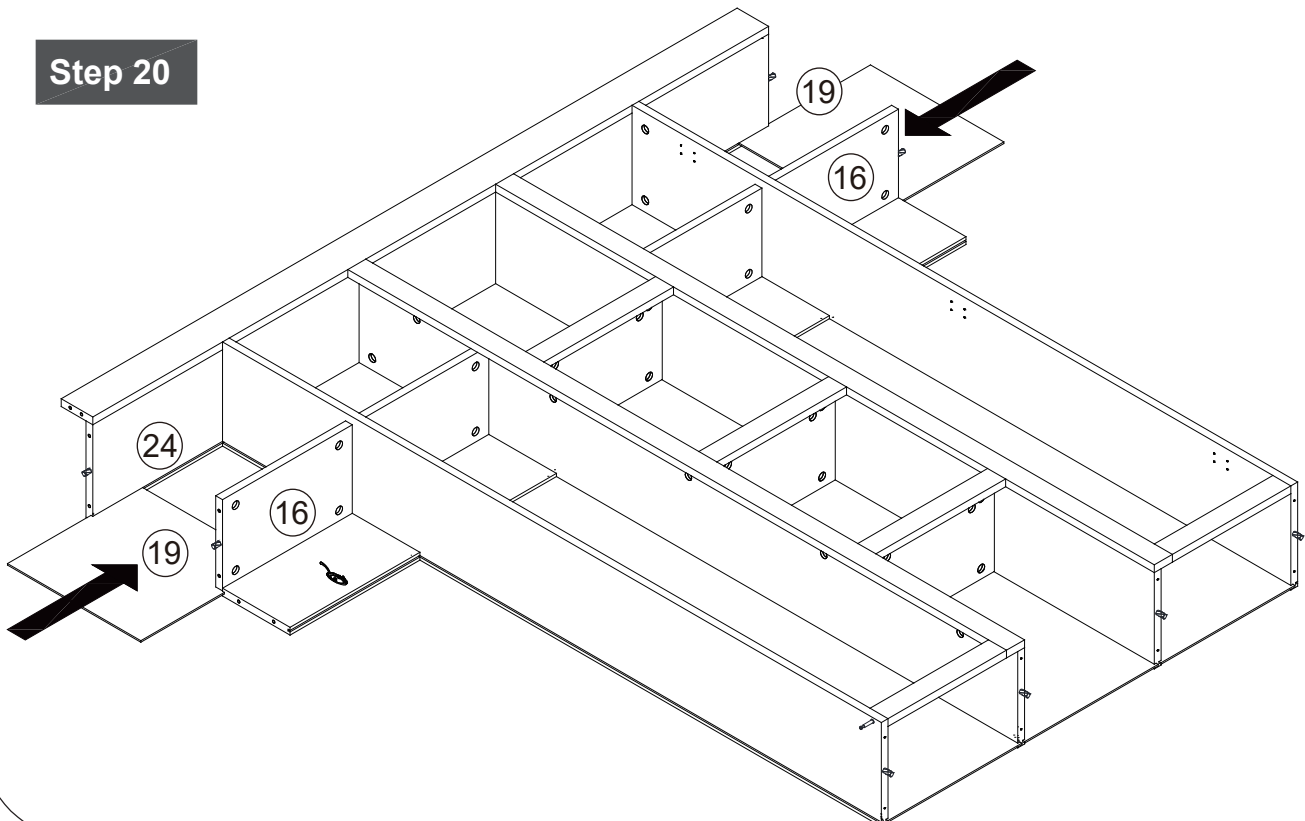
Cam lock x 12

B



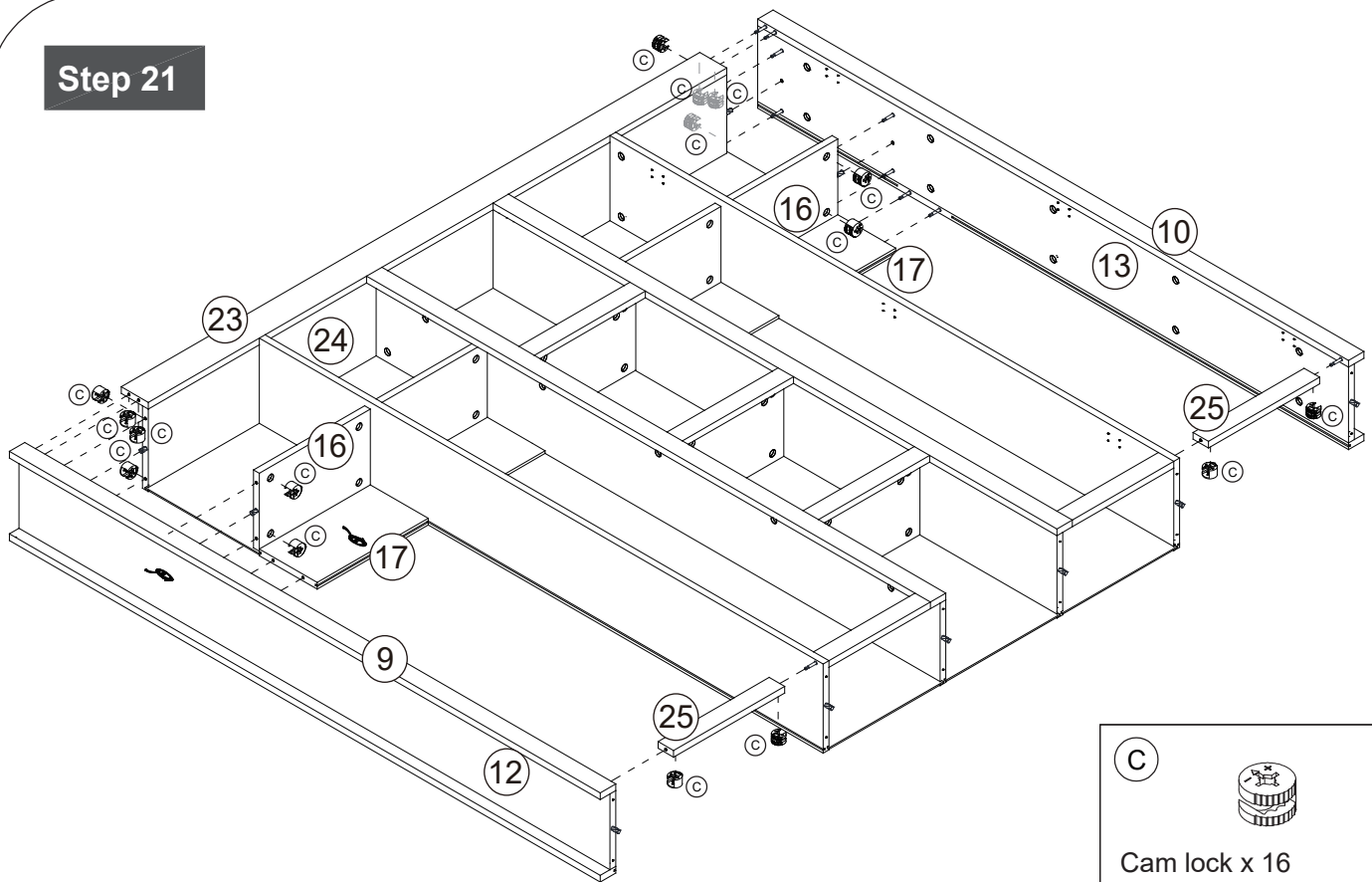
6\*30mm Dowel x 2

## Step 20

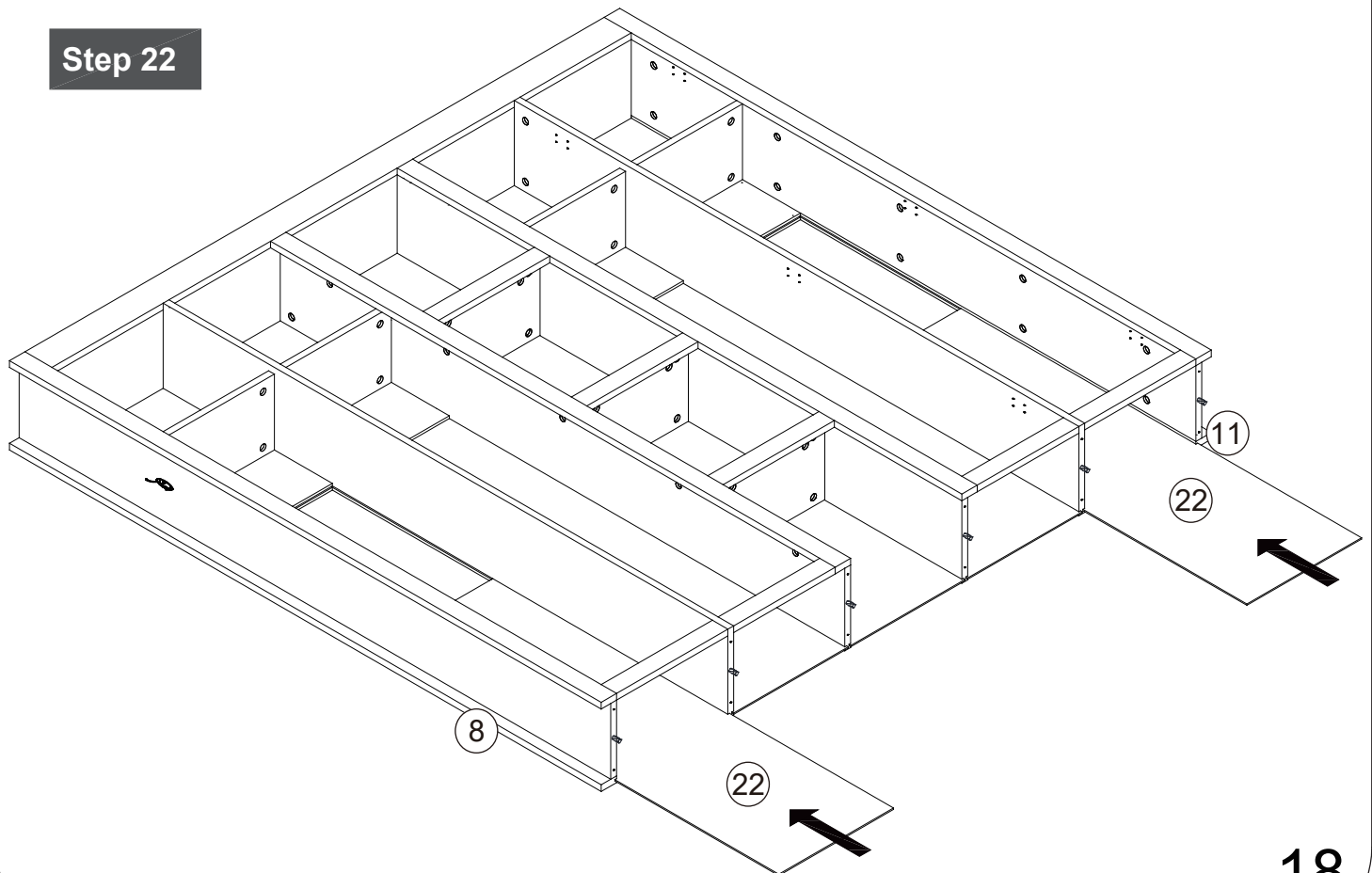


# Assembly Instructions

## Step 21

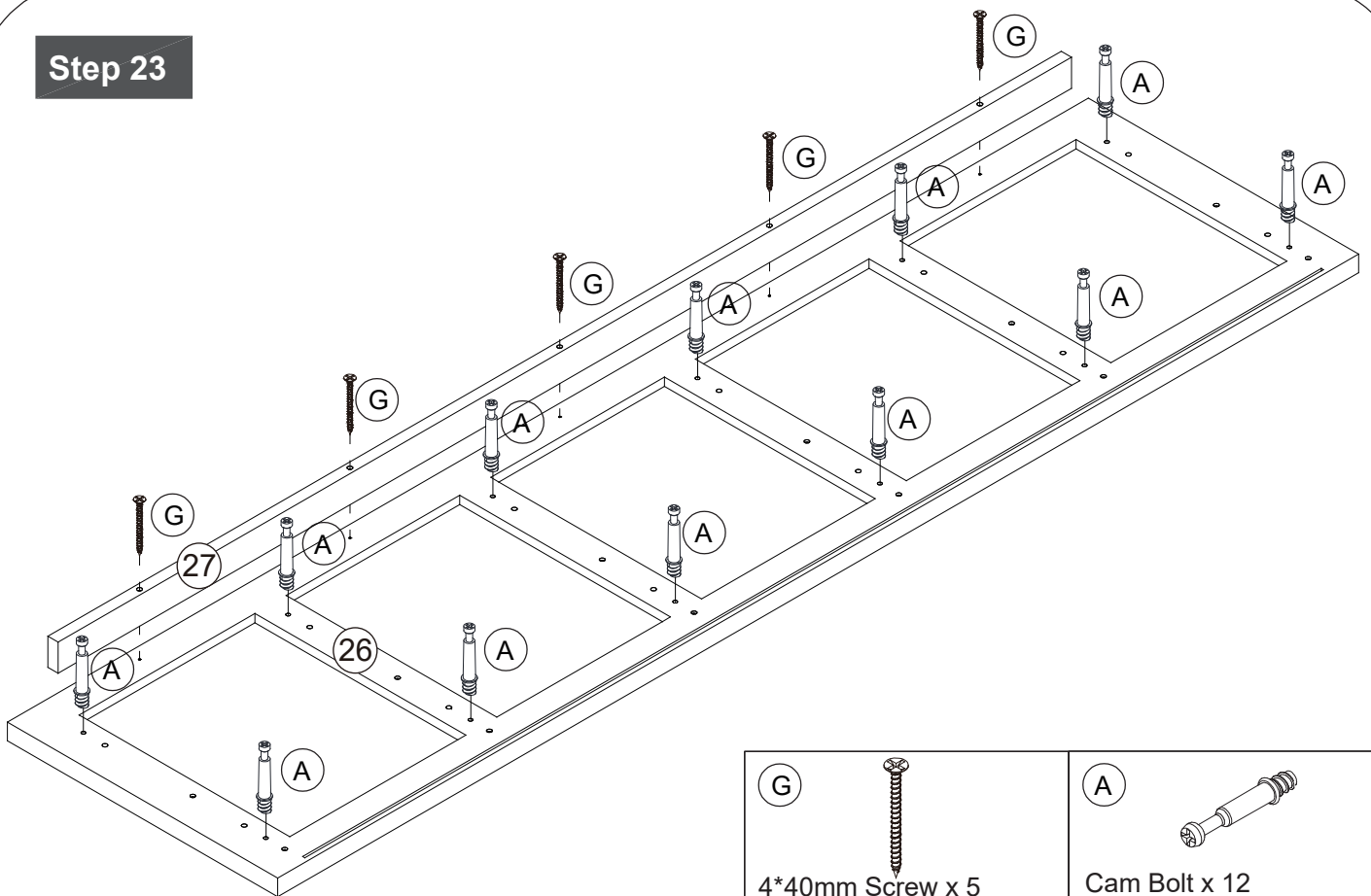


## Step 22

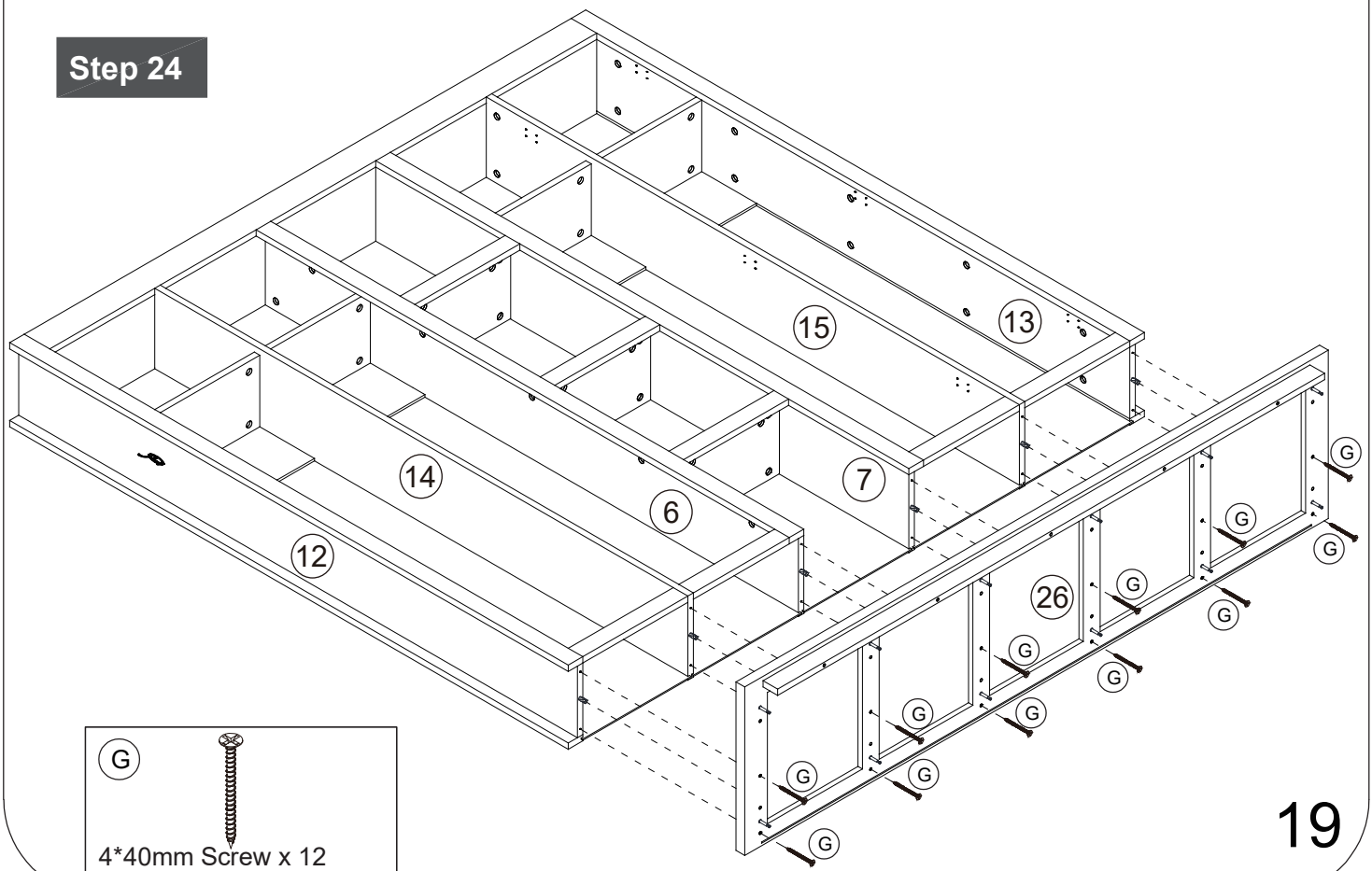


# Assembly Instructions

## Step 23

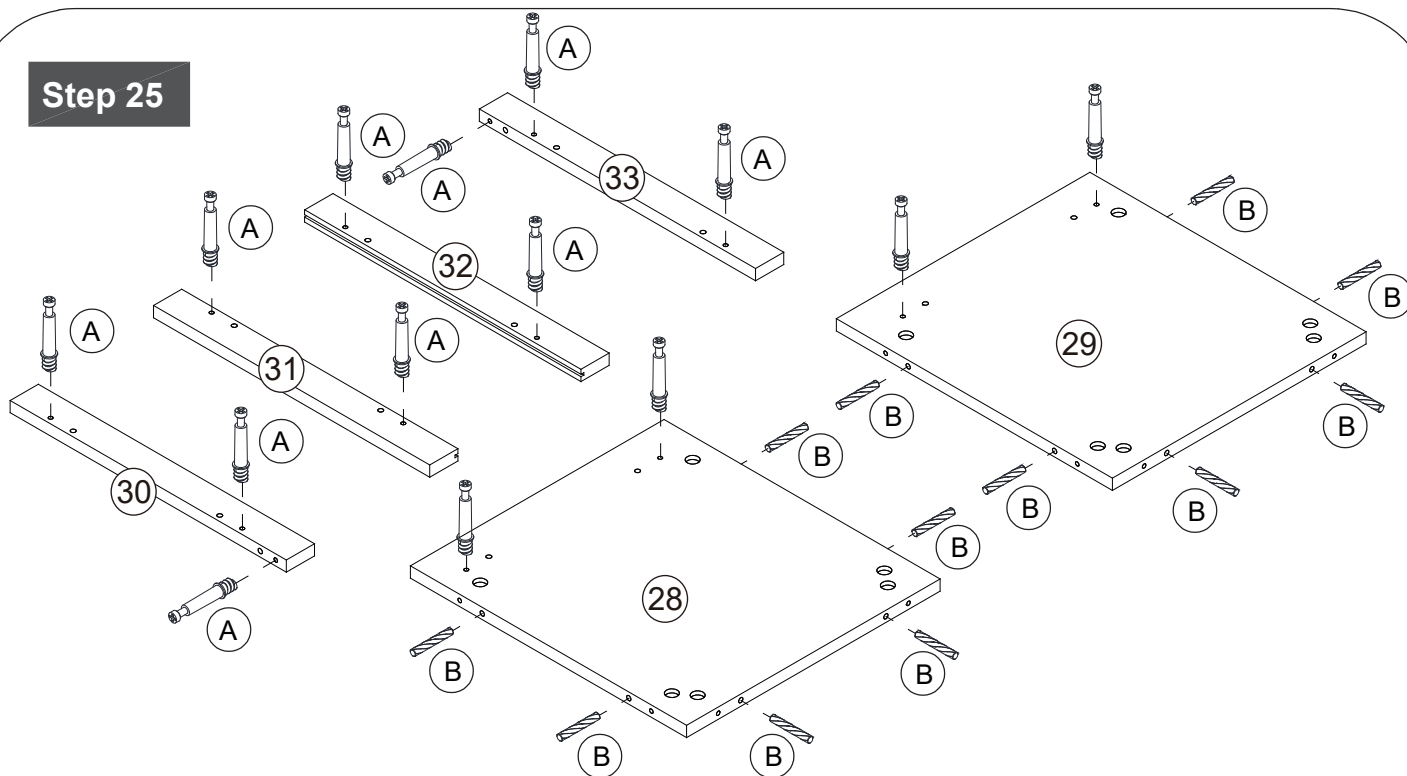


## Step 24

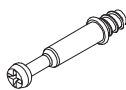


# Assembly Instructions

## Step 25

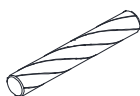


(A)



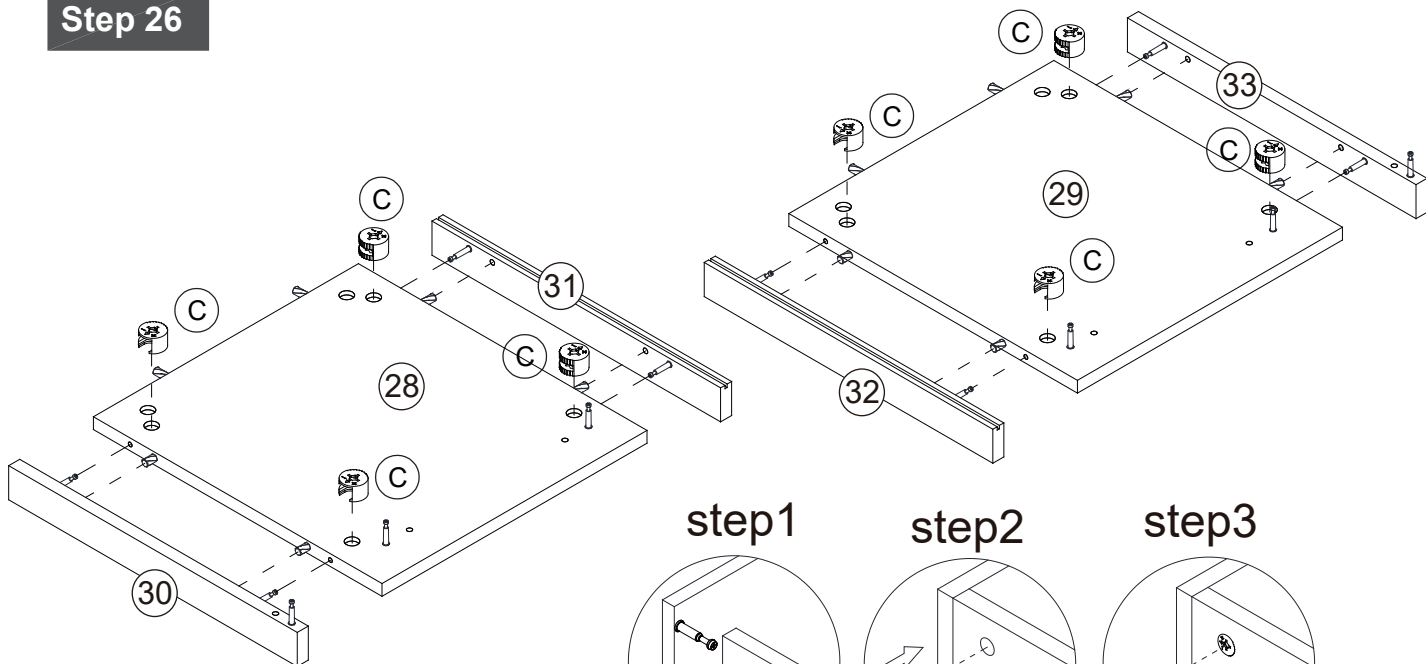
Cam Bolt x 14

(B)



6\*30mm Dowel x 12

## Step 26

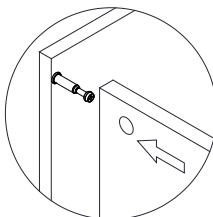


(C)

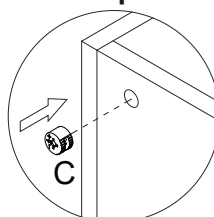


Cam lock x 8

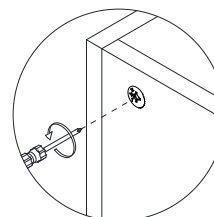
step1



step2

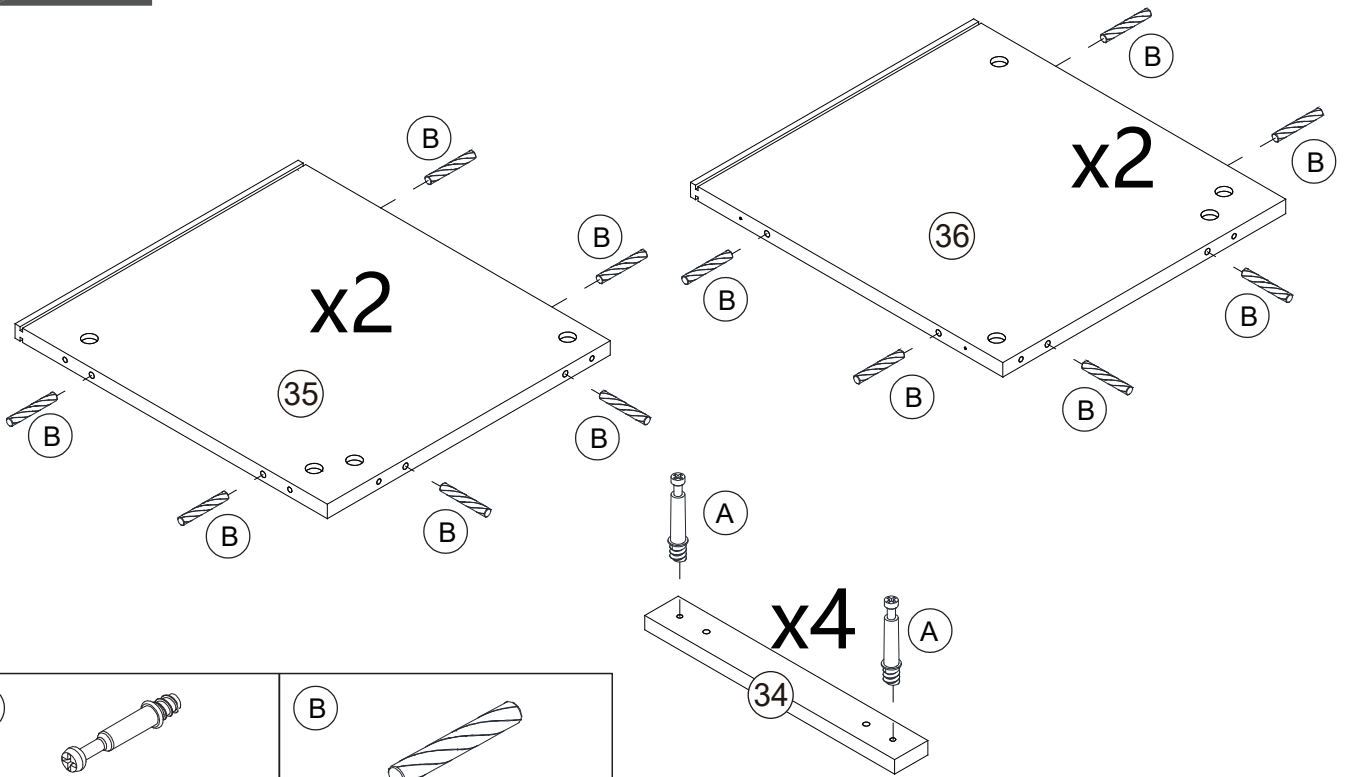


step3

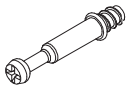


# Assembly Instructions

## Step 27

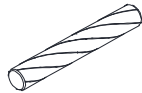


(A)



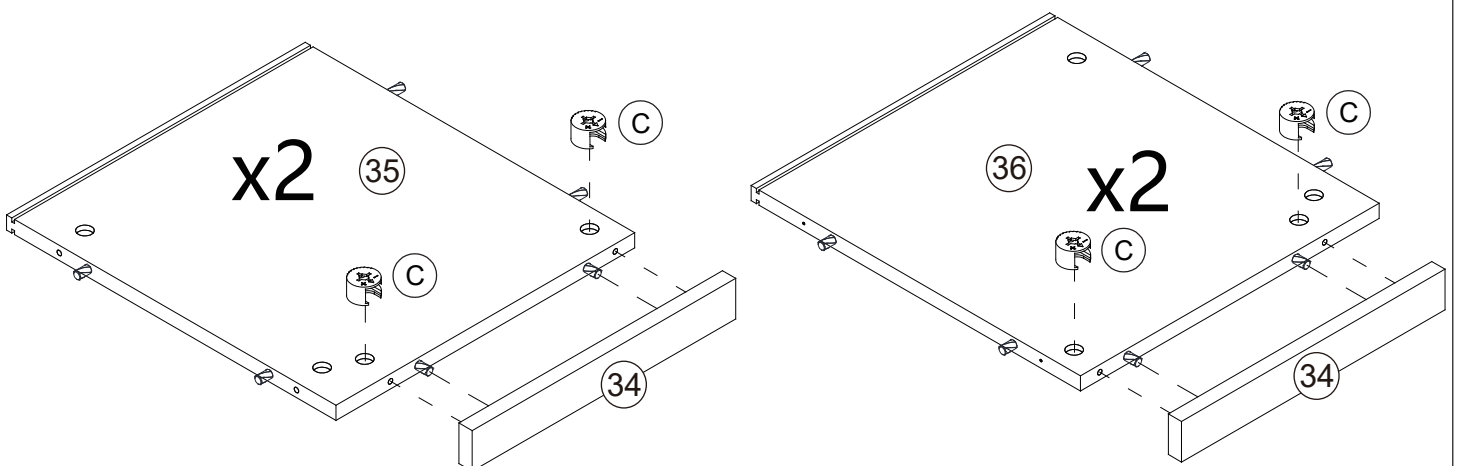
Cam Bolt x 8

(B)



6\*30mm Dowel x 24

## Step 28



step1

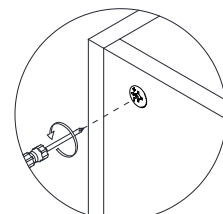
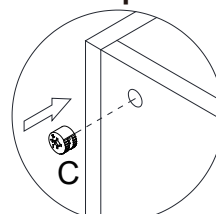
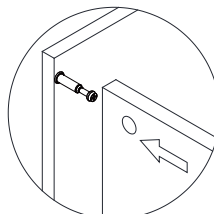
step2

step3

(C)

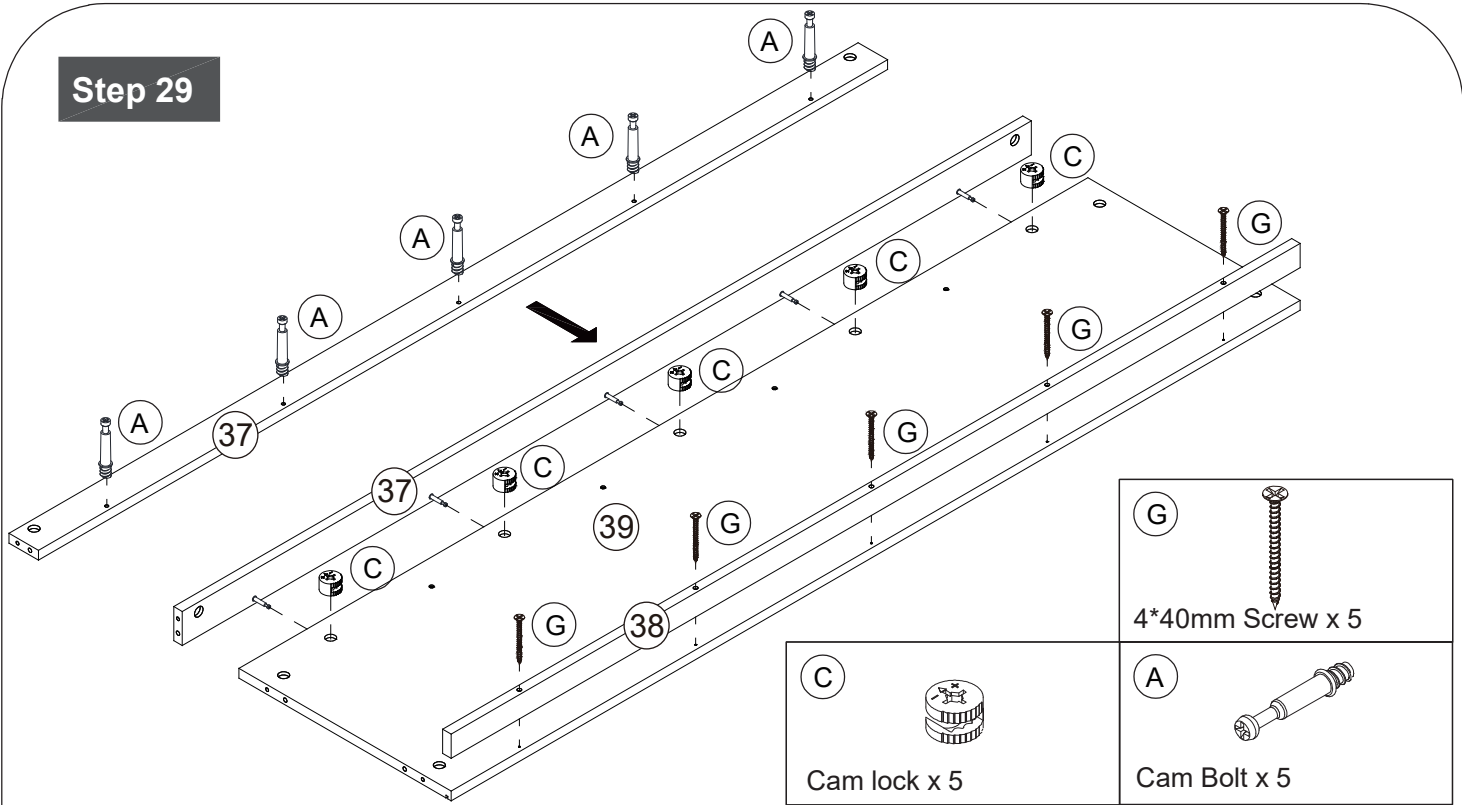


Cam lock x 8

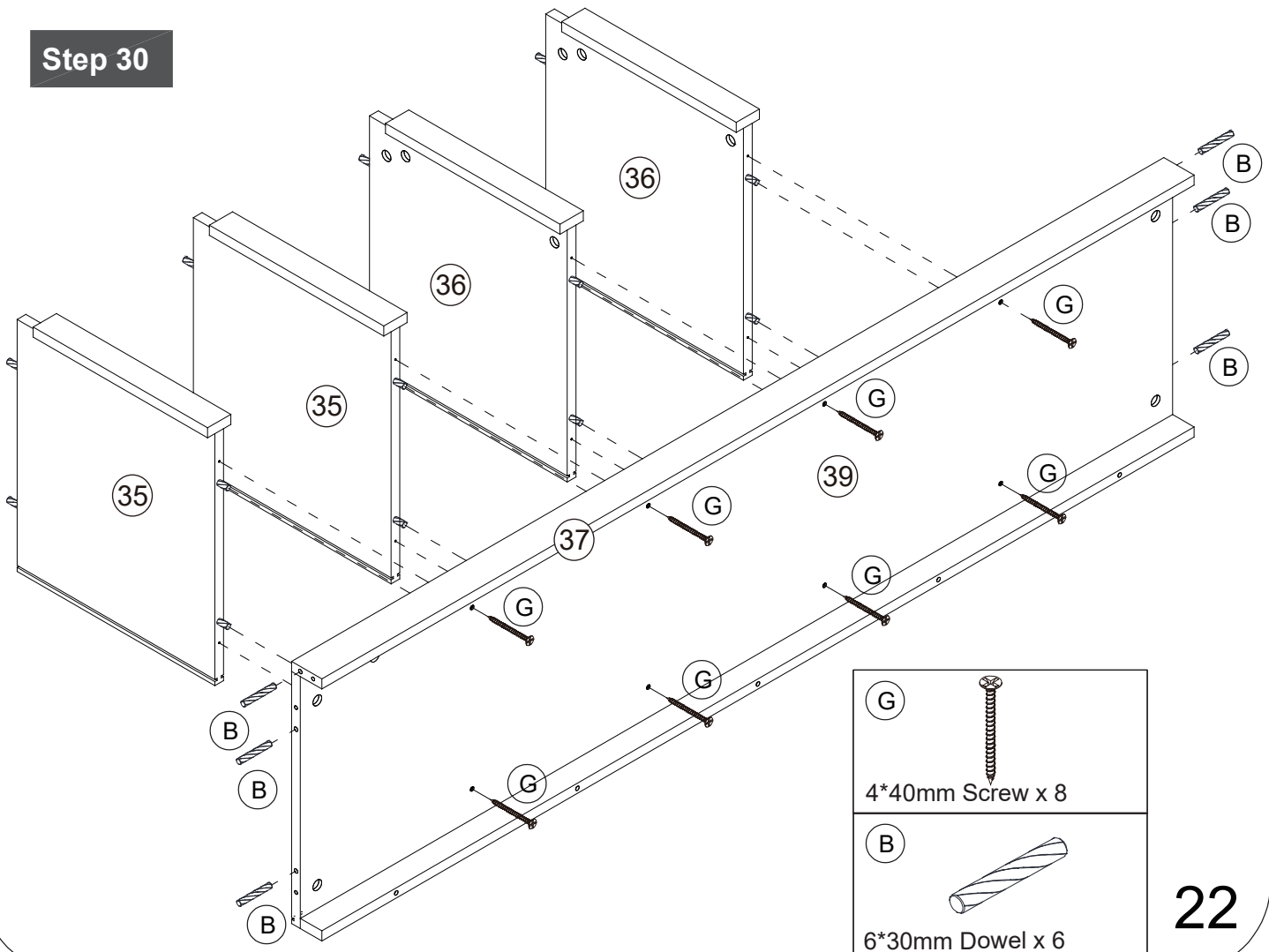


# Assembly Instructions

## Step 29



## Step 30



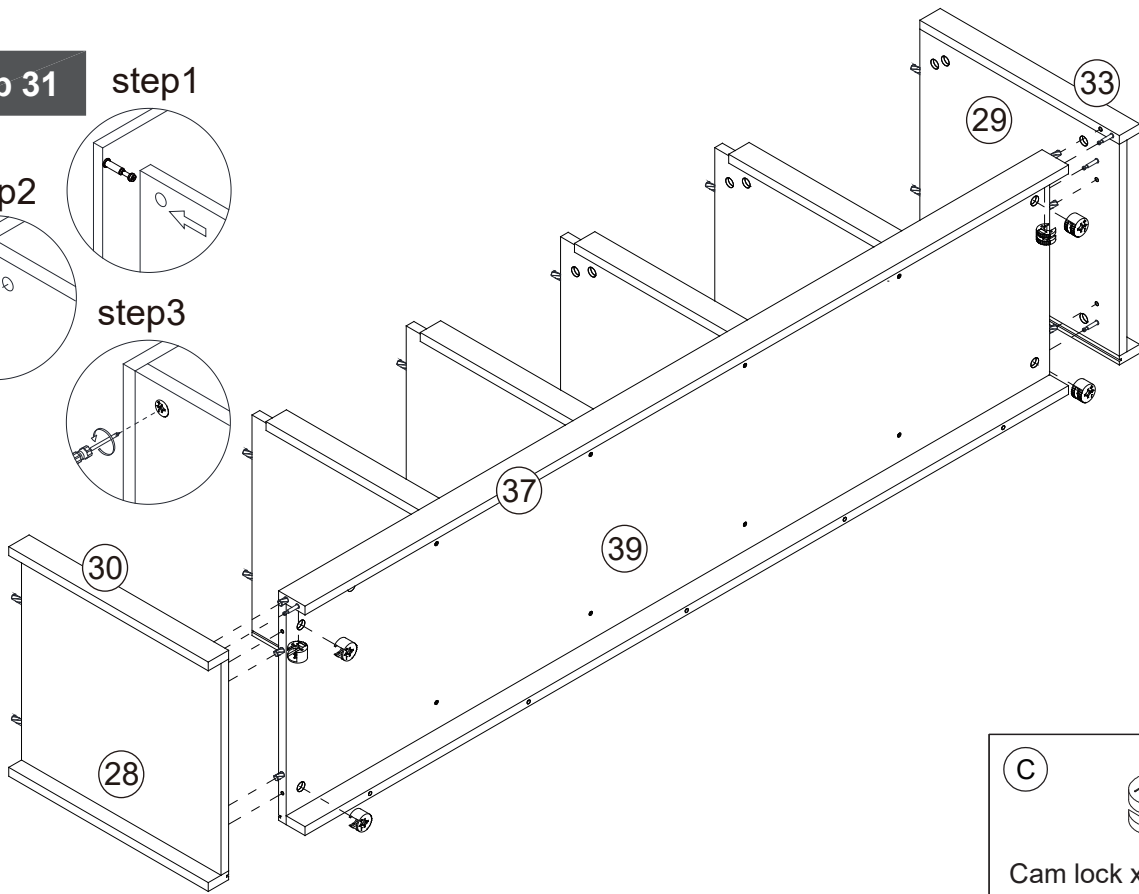
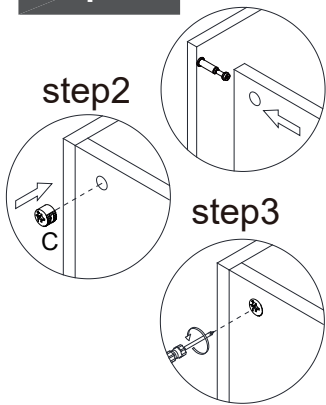
# Assembly Instructions

## Step 31

step1

step2

step3

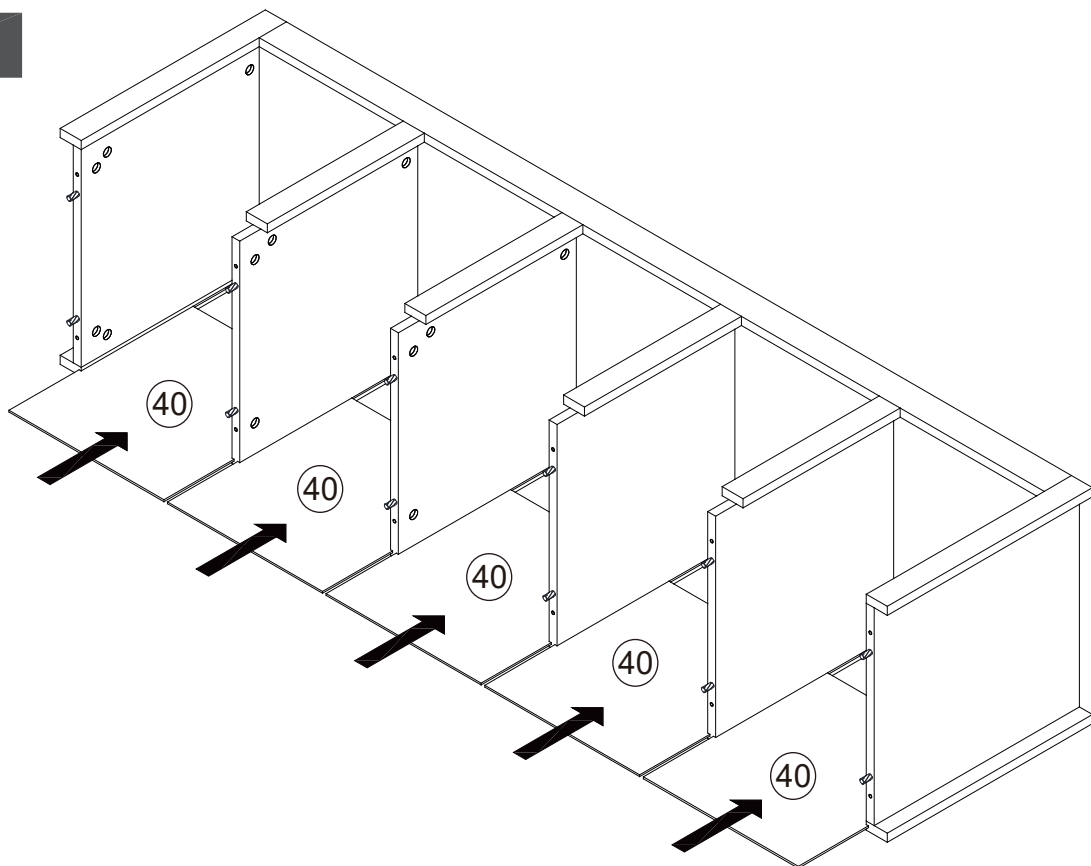


C



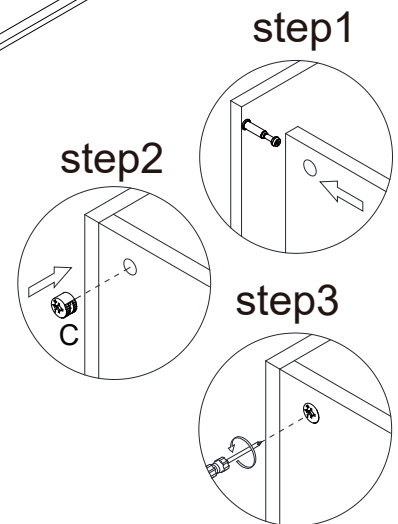
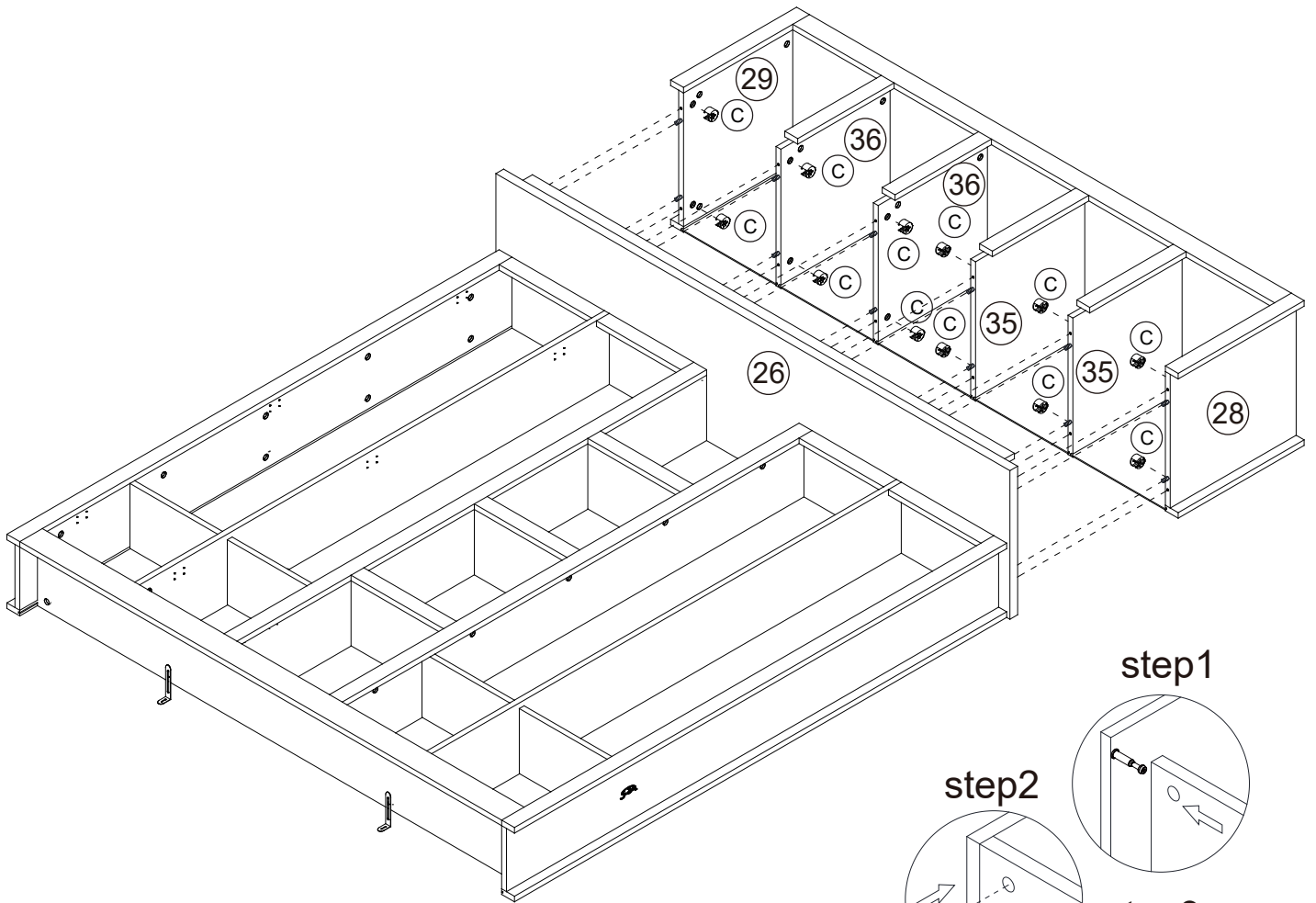
Cam lock x 6

## Step 32



# Assembly Instructions

## Step 33



C

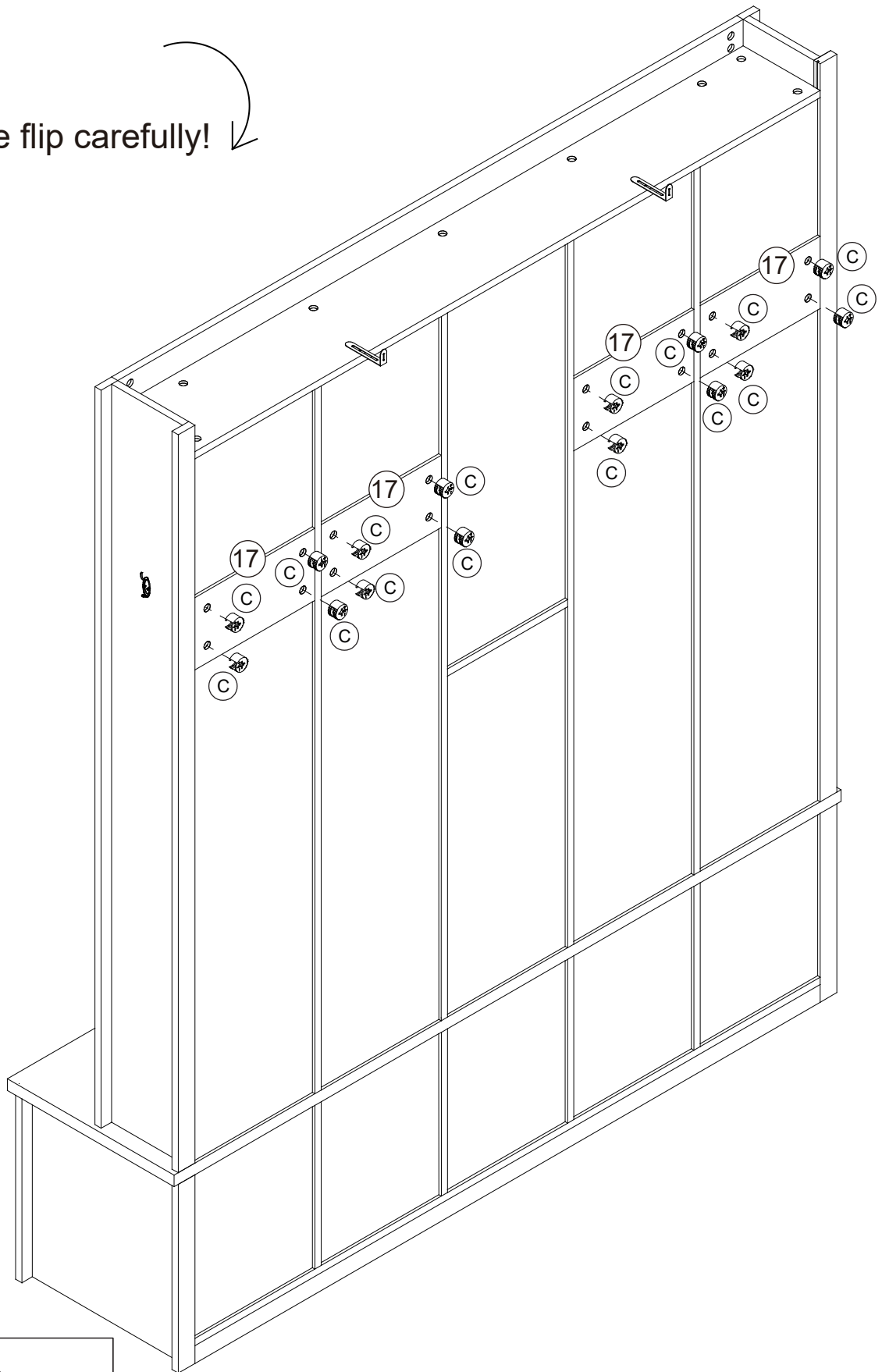


Cam lock x 12

# Assembly Instructions

## Step 34

Please flip carefully! ↘



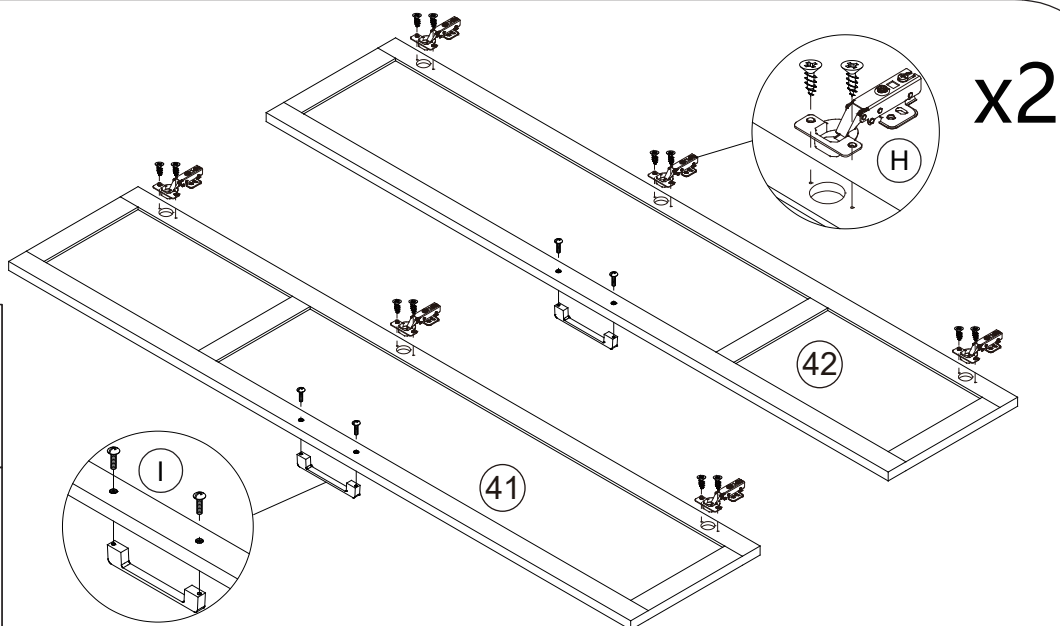
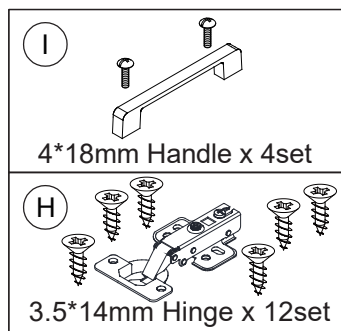
C



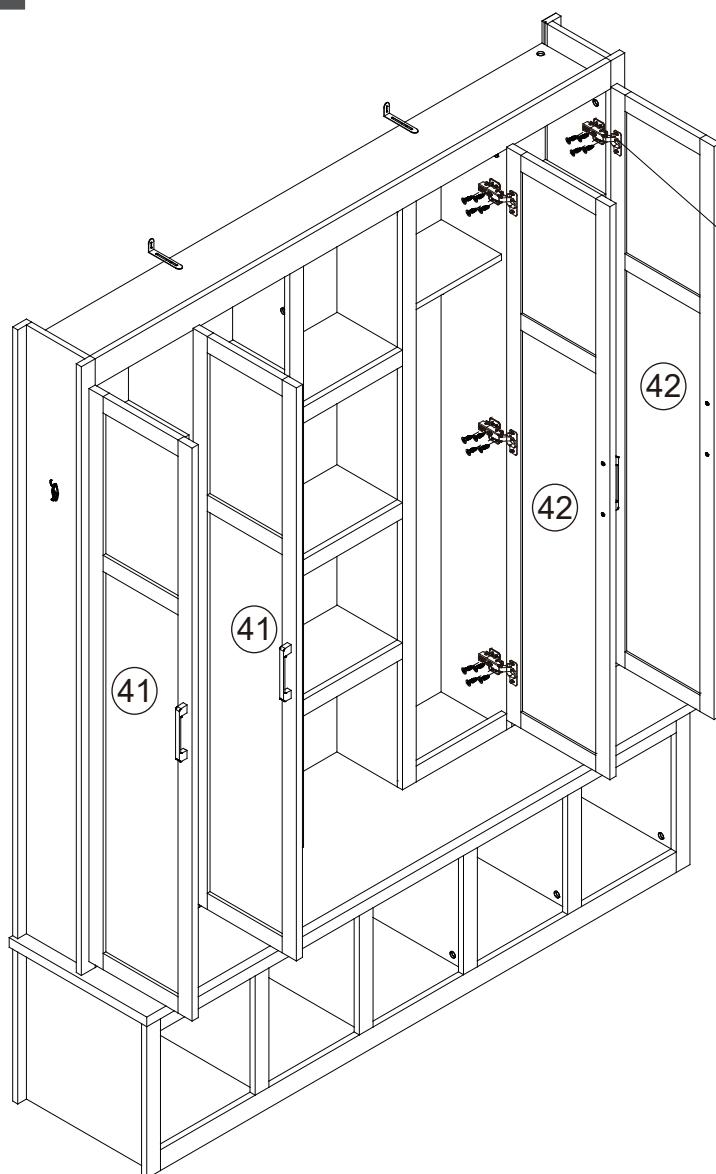
Cam lock x 16

# Assembly Instructions

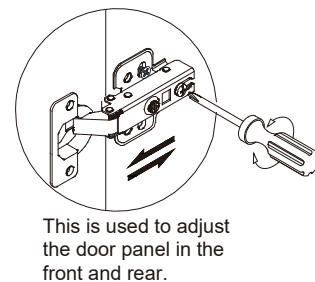
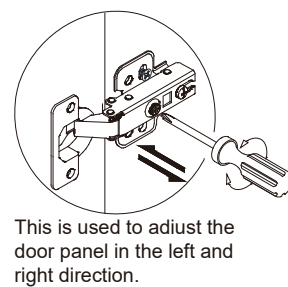
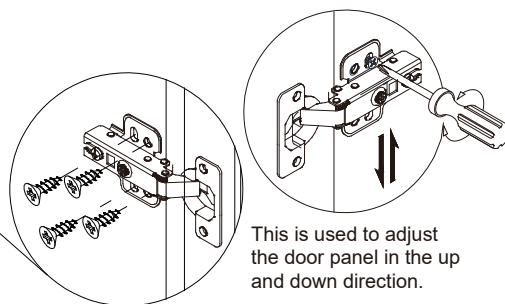
## Step 35



## Step 36

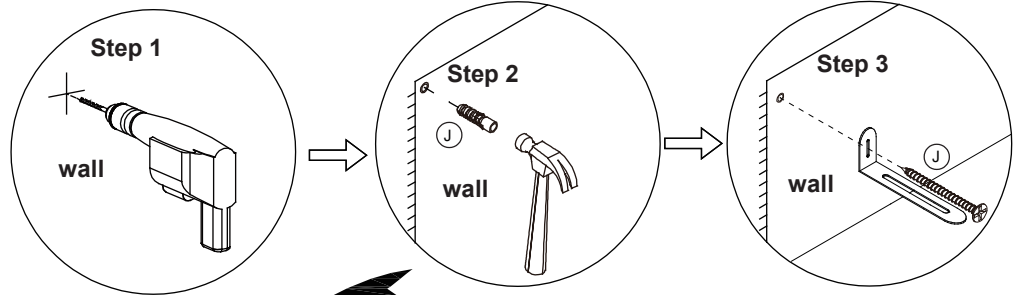


If the door can't close, please adjust the hinges as below.

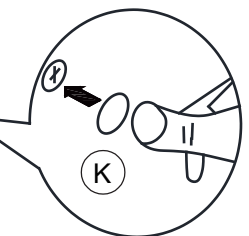
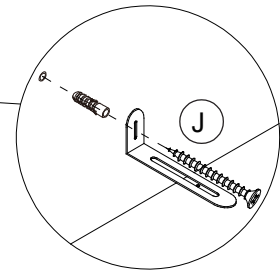
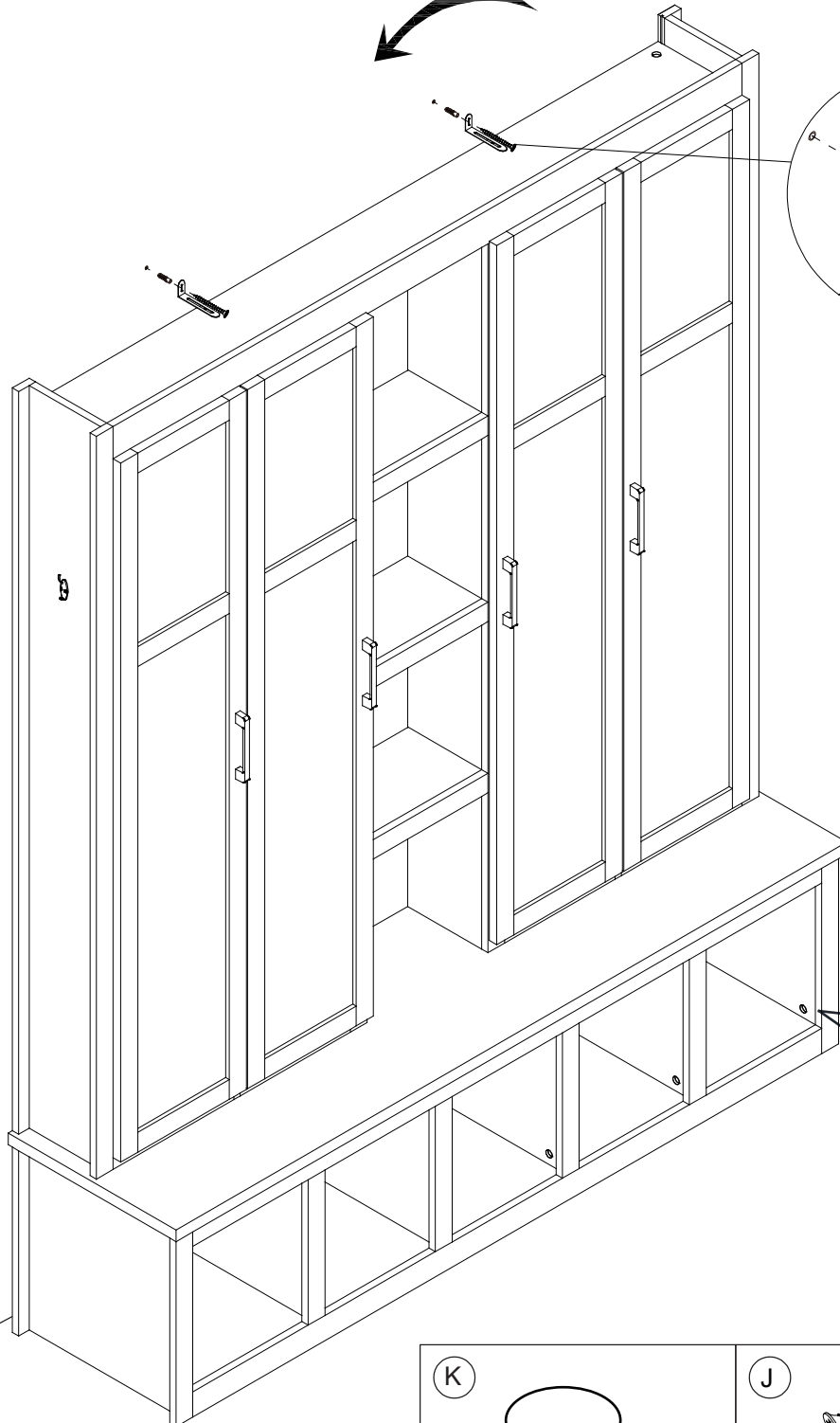
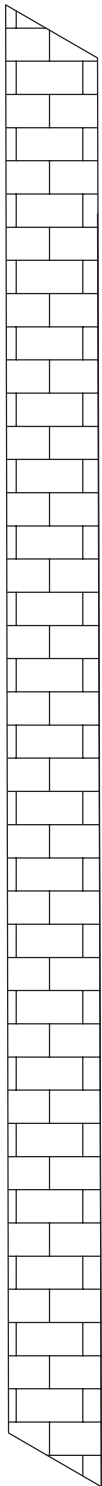



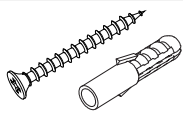
# Assembly Instructions

## Step 37



WALL



<p>(K)</p>  <p>Perfect fit x 85</p>	<p>(J)</p>  <p>Expansion screws x 2set</p>
--	---

# Assembly Instructions

Finish

