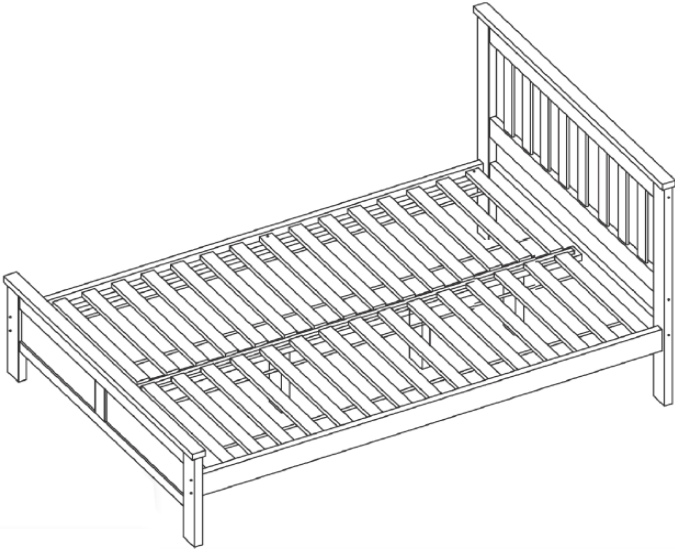


ASSEMBLY GUIDE



Important - Please read these instructions fully before starting assembly



**SAFETY AND
CARE ADVICE**



NO POWER TOOLS

SAFETY AND CARE ADVICE

- Check you have all the components and tools listed.
- Remove all fittings from the plastic bags and separate them into their groups.
- We do not recommend the use of power drills/drivers for inserting screws, as this could damage the unit. Only use hand screwdrivers and Allen keys.
- Keep children and animals away from the work area, small parts could cause choking if swallowed.
- Make sure you have enough space to layout the parts before starting.
- Assemble the item as close to its final position (in the same room) as possible.
- Do not overtighten the nuts to avoid causing damage to the threads.
- Only clean using a damp cloth and mild detergent, do not use bleach or abrasive cleaners.
- From time to time check that there are no loose screws on this unit
- This product should not be discarded with household waste. Take to your local authority waste disposal centre

IMPORTANT INFORMATION



45 MINUTE
BUILD

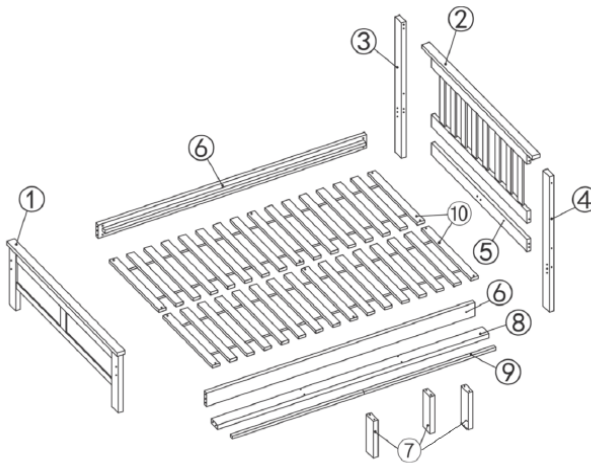






TWO PERSON
BUILD







MAXIMUM
CAPACITY 200Kg

PLEASE CHECK CAREFULLY AND MAKE SURE YOU HAVE ALL FITTINGS AND TOOLS LISTED BELOW BEFORE YOU START.



A	 M6X70mm	08
B		14
C	 Ø8X30mm	08
D	 Ø3.5X25mm	19

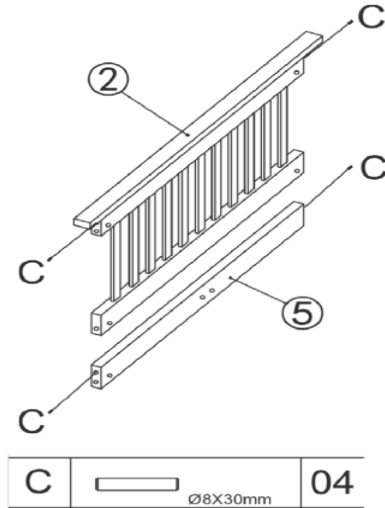
E	 Ø7x50mm	08
F		01
G	 M6X105mm	06
H	 Stopples	14

NOTE: The quantities above are the correct amount to complete the assembly. In some cases more fittings may be supplied than are required.

STEP 1

Use a clear, flat, soft surface to avoid bumps or scratches.

Construct the headboard first. Take headboard piece [2] and support piece [5] and insert 4 x wooden dowels [C] as indicated in diagram.

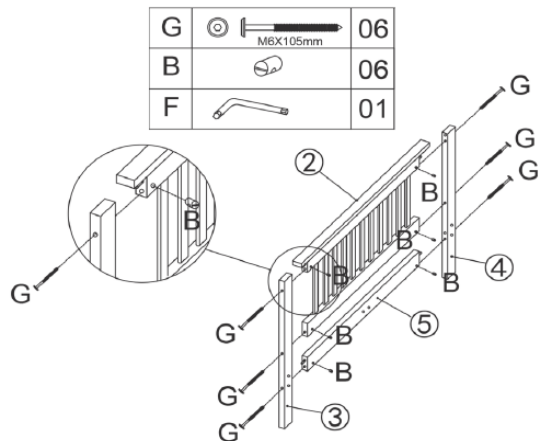


STEP 2

Next, attach side pieces to headboard.




Take side supports [3] and [4] and slot onto dowels in headboard [2] and support piece [5].

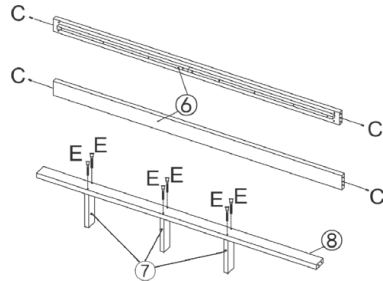
Screw it all together using 6 x bolts [G] and 6 x cam locks [B] as per the diagram. Use Allen key [F].



STEP 3

Take 2 x side pieces [6] and add 4 x dowels [C] into the ends as per diagram - 1 dowel either end of each side piece. Construct central support beam - take support beam [8] and attach 3 x feet [7] using 6 x bolts [E]. Use Allen key [F].

C	 $\varnothing 8 \times 30 \text{mm}$	04	E	 $\varnothing 7 \times 60 \text{mm}$	06
F		01			








STEP 4

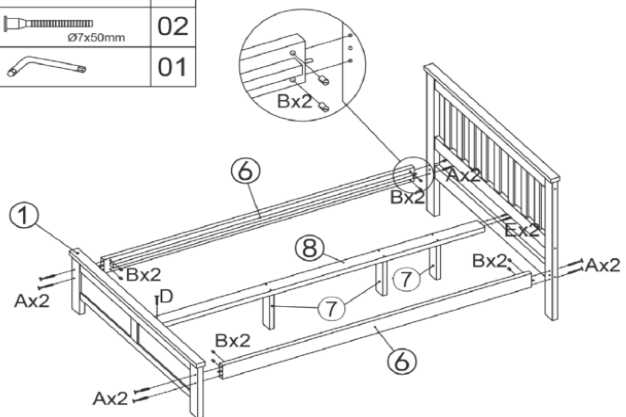
Construct bed frame.

Align headboard [2], footboard [1], side pieces [6] and central support beam/legs [8/7] as per diagram - get all the pieces into correct position before screwing anything together.

Connect side pieces to headboard and footboard with 8 x bolts [A] and 8 x cam locks [B] - 2 at each end, on both sides,

Attach central support beam to headboard using 2 x bolt [E], and to footboard using 1 x screw [D]

A	 M6x70mm	08	D	 $\varnothing 3.5 \times 25 \text{mm}$	01
B		08			
E	 $\varnothing 7 \times 50 \text{mm}$	02			
F		01			




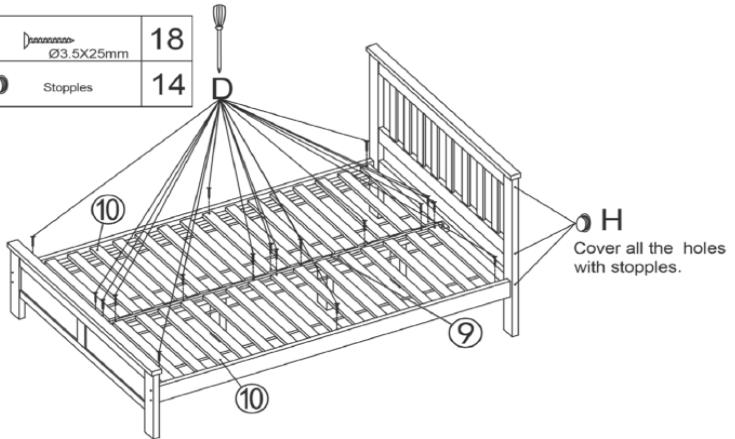
STEP 5

Place 2 x slats runners [10] onto frame with central runner beam [9] in the middle, as per diagram.

Screw slats and central runner into place using 18 x screw [D]

Finally, cover all exposed holes on outside of frame with stopples [H] - x 14 in total.

D	⊕	 Ø3.5X25mm	18
H	○	Stopples	14



STEP 6

Your bed is now complete!

ATTENTION: Should you need to move the bedframe after assembly, carefully lift and re-position with the help of at least one other person. Do not attempt to drag the frame or you could risk damaging the structure.

