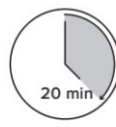
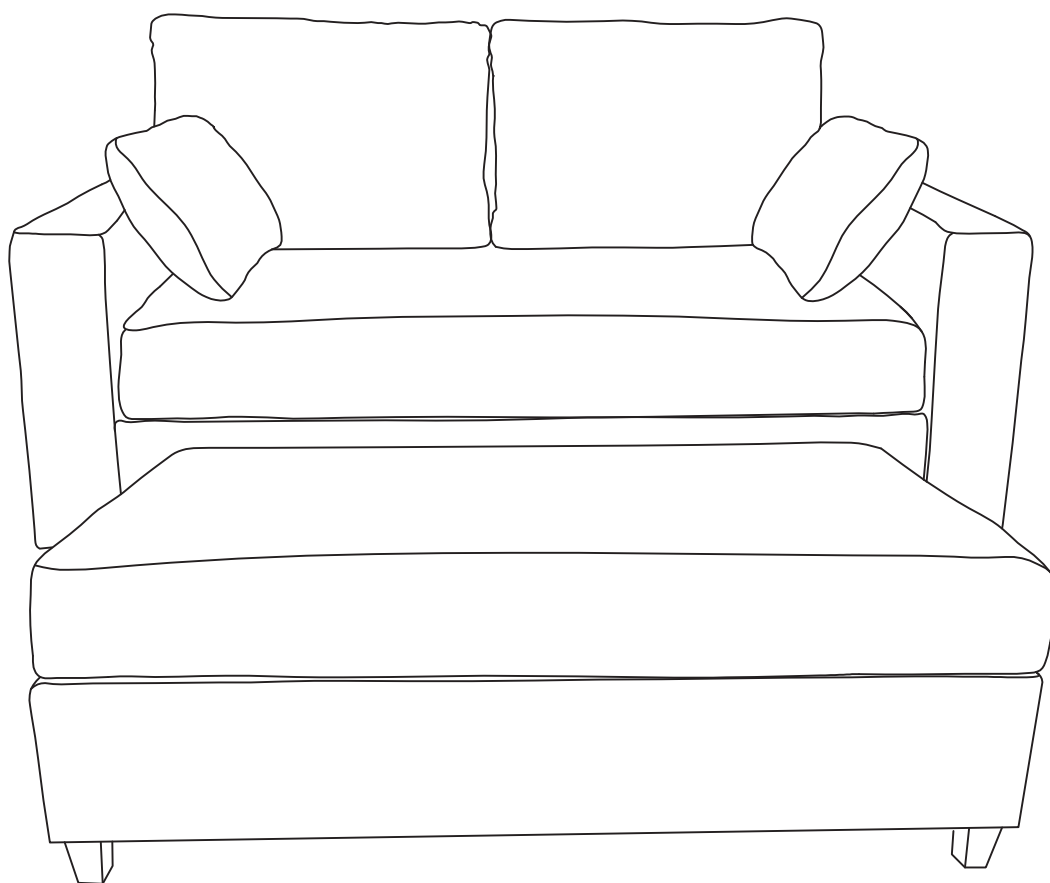


ASSEMBLY INSTRUCTIONS



TIME



2 OF PEOPLE



DIFFICULTY

NOTICE

Instruction Booklet - Important Safety Information

Thank you for choosing our product. Please review this booklet carefully for essential safety information and keep it for future reference.

- ① Upon receiving the product, ***ensure all parts are present and intact*** before proceeding with installation. Follow the entire installation instructions provided.
- ② During installation, exercise caution and refrain from immediately tightening screws. Secure all screws to 80% before final tightening.

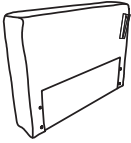
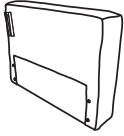
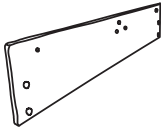
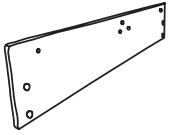
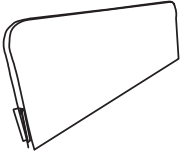

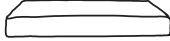


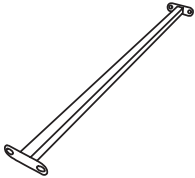
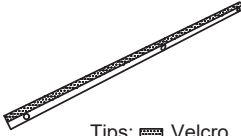


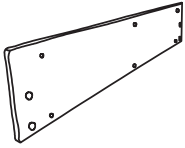
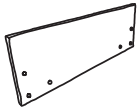

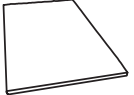
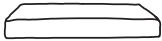
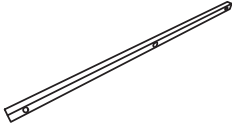





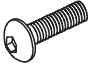
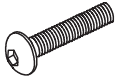
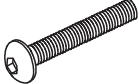

Returns are accepted only for items in their ***original, unopened condition***.



Before installation, please check that the parts are all included !

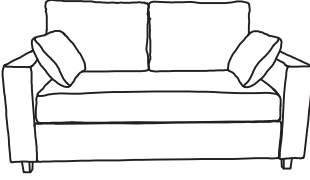
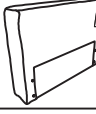
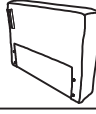
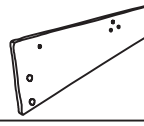
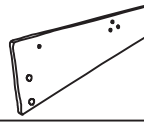
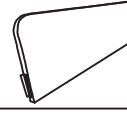













Carton

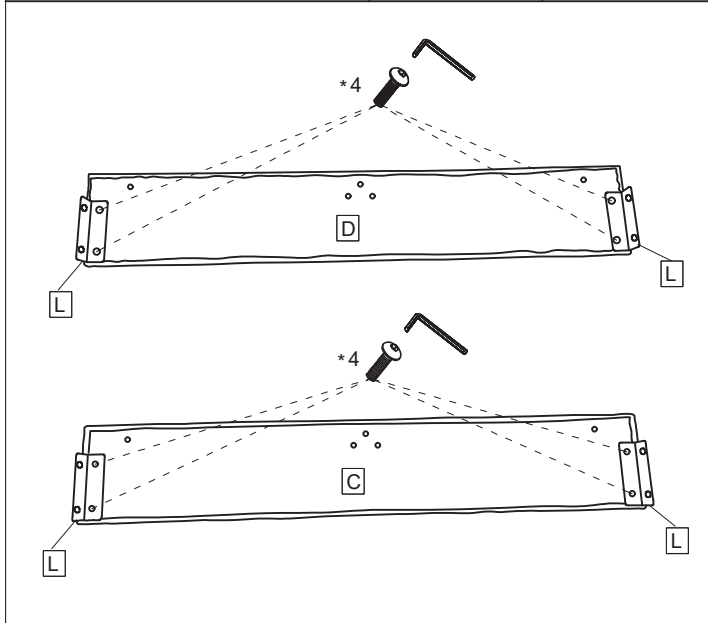
Materials

			
A*1 Armrest	B*1 Armrest	C*1 Front Board	D*1 Back Board
			
E*1 Bakerest	F*2 Wooden skeleton	G*1 Seat Cushion	H*2 Back Cushion
		 Tips:  Velcro	
I*2 Back Cushion	J*1 Horizontal stretcher	K*4 Batten	L*4 Horizontal stretcher
			
M*2 Board	N*2 Board	O*1 Board	P*3 Board
			
Q*1 Ottoman Cushion	R*2 Batten	S*2 Batten	T*4 Horizontal stretcher
			 6*20mm
U*8 Sofa leg	V*8 Washer	*22 Washer	*36 Bolt
 6*35mm	 6*45mm	 M 6	
*10 Bolt	*12 Bolt	*1 Hex key	

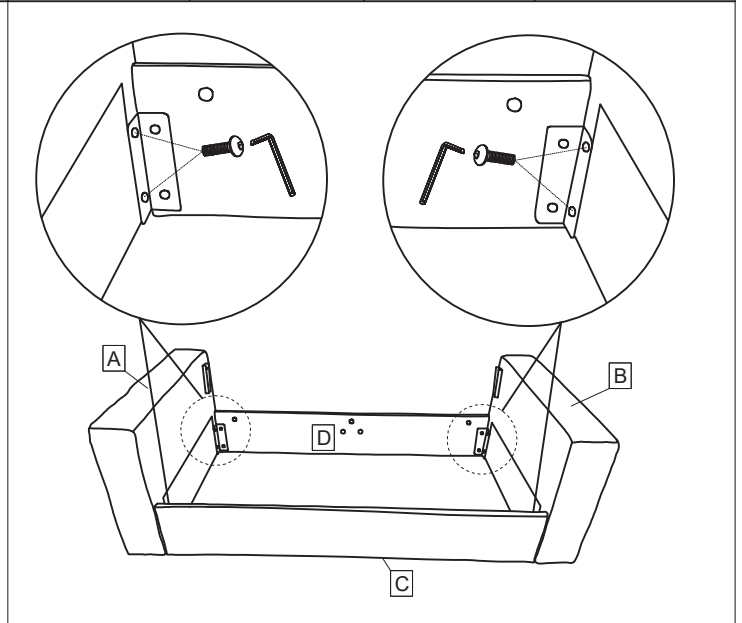
Installation Steps

Materials

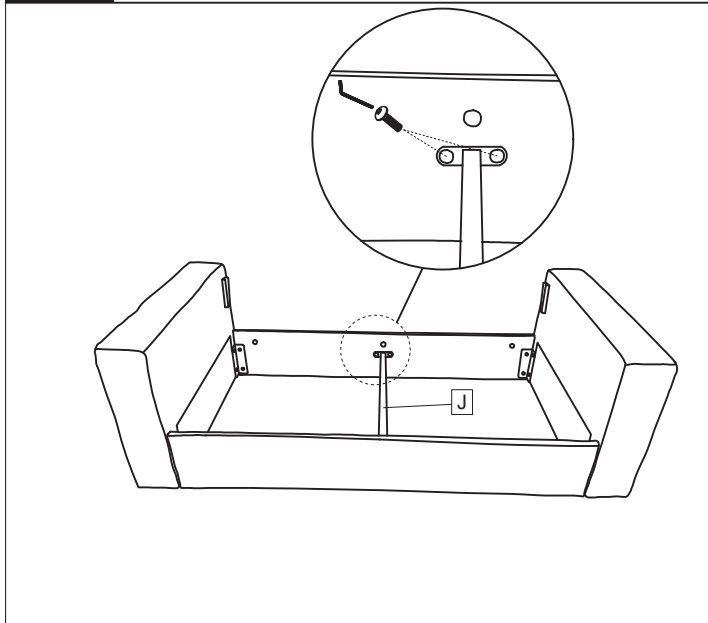
	 A*1	 B*1	 C*1	 D*1	 E*1	 F*2
	 G*1	 H*2	 I*2	 J*1	 K*2	 L*4
	 U*4	 V*4	 * 6	 *20	 *6	 *1



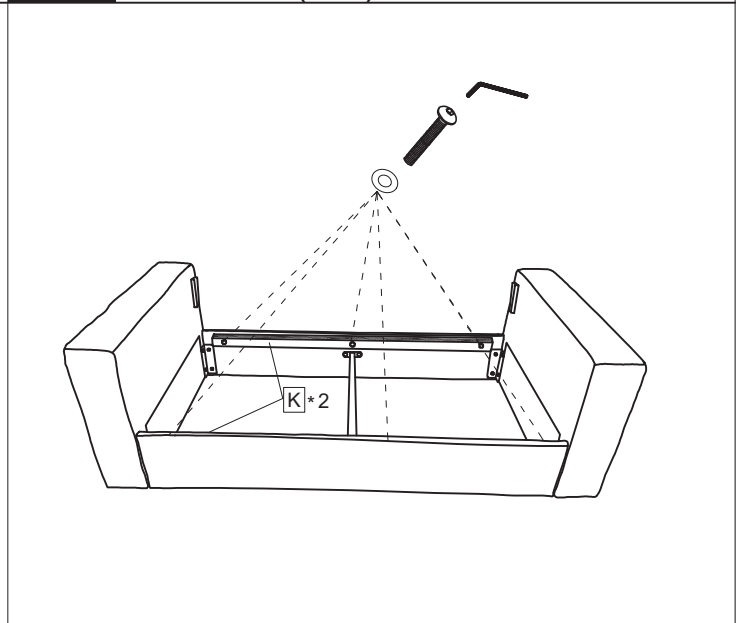
STEP 1 Pre install iron connectors (L) on front board (C) and back board (D).



STEP 2 After aligning the holes on both sides of armrest (A,B) fix them with screws.

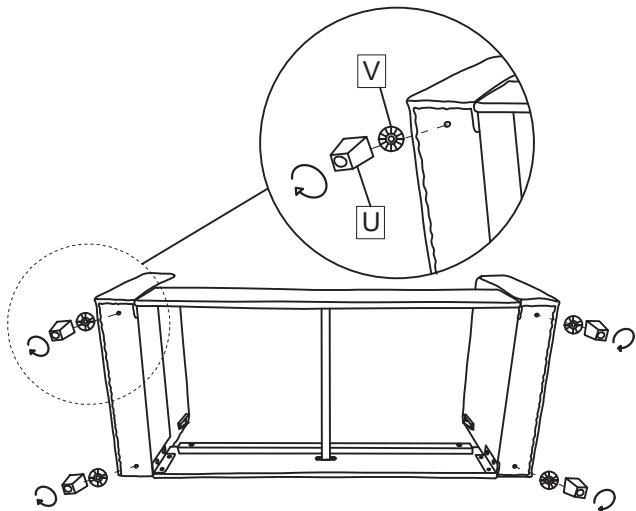


STEP 3 After aligning the holes, fix them with screws.

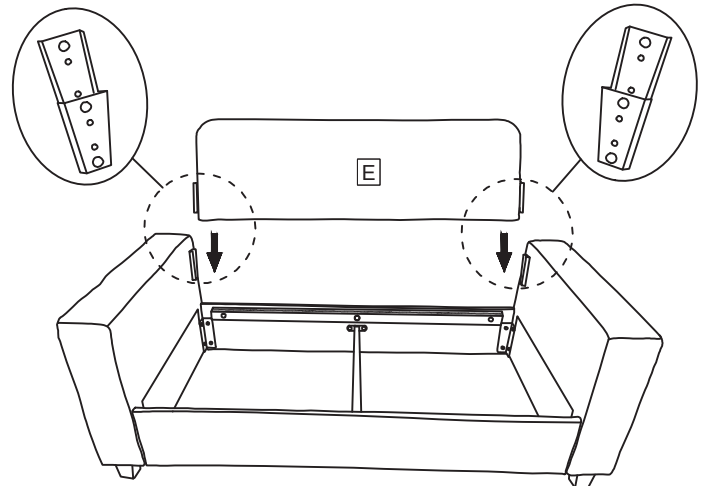


STEP 4 The side with Velcro is on top. (K*2) After aligning the holes, fix them with screws.

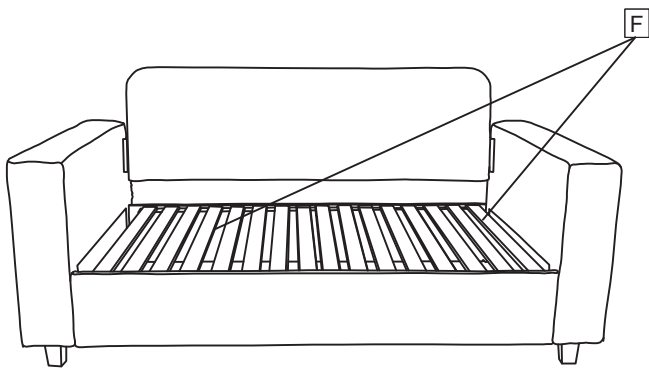
Installation Steps



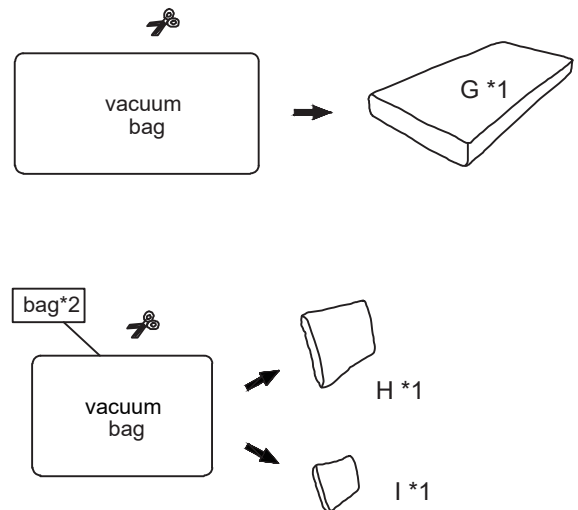
STEP 5 Install 4 wooden legs and tighten them.



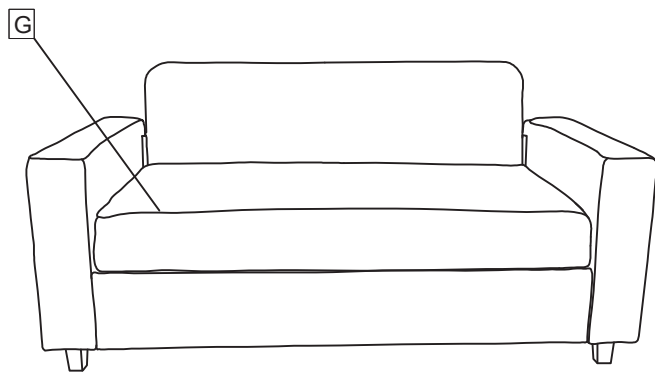
STEP 6 Align E with the armrests on both sides and insert it.



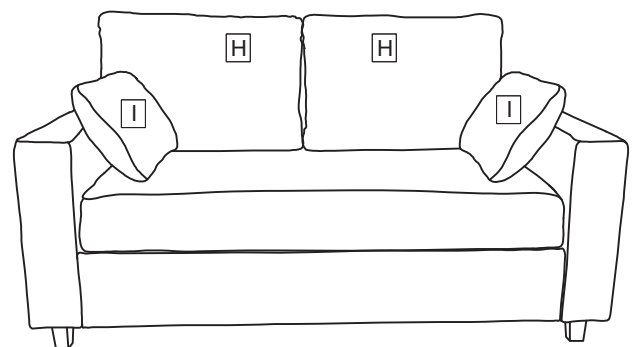
STEP 7 Lay F flat on top of the sofa frame.



STEP 8 Cut the vacuum bag. The cushions spring back quickly and 24-48 hours to fully fluff.



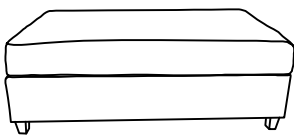


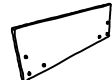

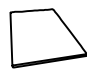
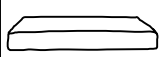










STEP 9 Put on the set cushion G.

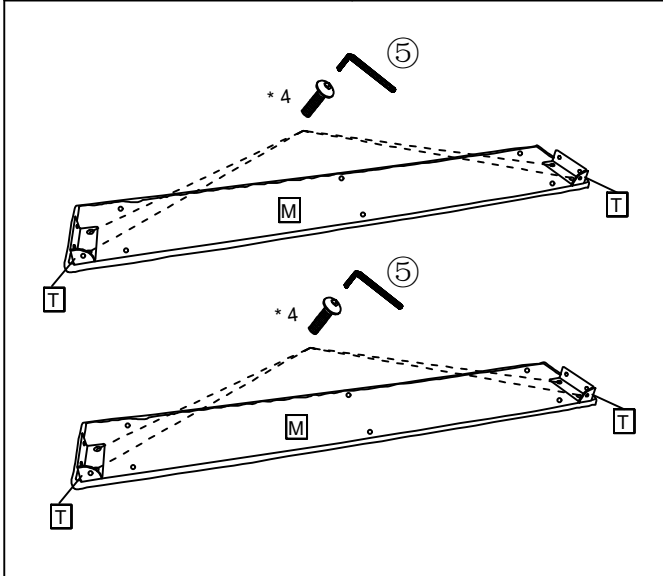


STEP 10 Put on the backrest cushion H and I.

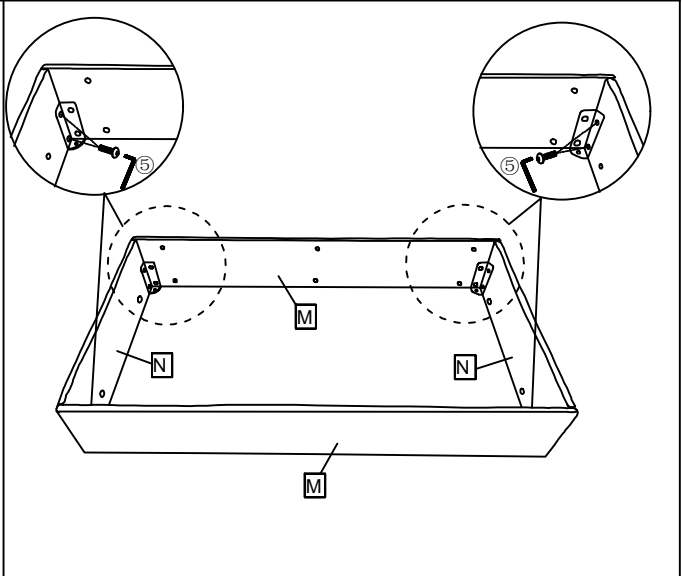
Installation Steps

Materials

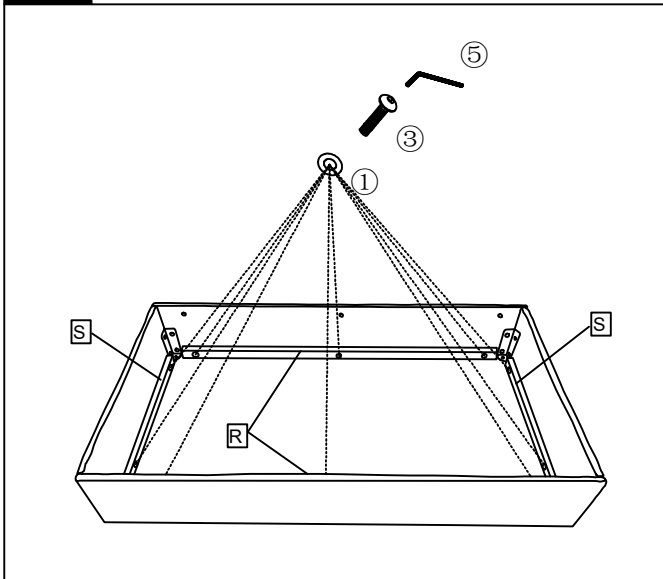
	 K*2	 M*2	 N*2	 O*1	 P*3	 Q*1
	 R*2	 S*2	 T*2	 U*4	 V*4	 * 16
	 6*20mm * 16	 6*35mm * 10	 6*45mm * 6	 M 6 * 1		



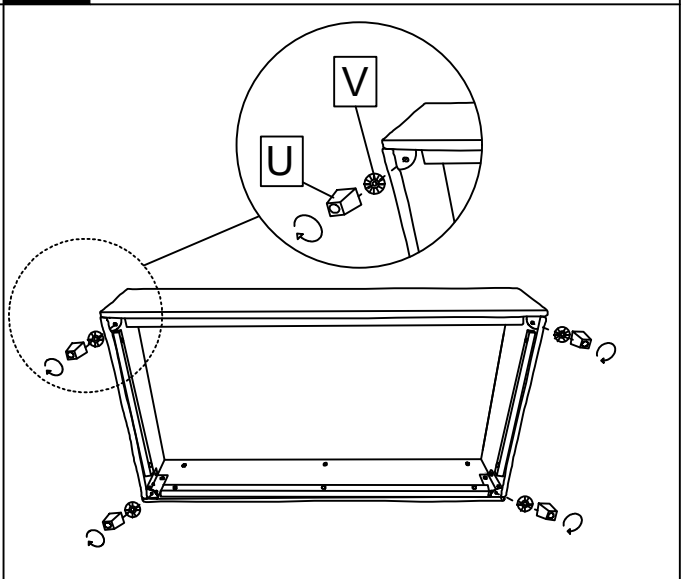
STEP 1 Pre install iron connectors (T) on front board and back board (M).



STEP 2 After aligning the holes on both sides of (N) fix them with screws.

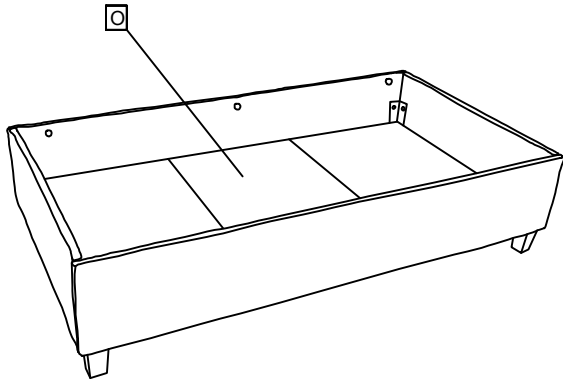


STEP 3 Install (R,S) without Velcro at the bottom, align the holes and tighten with screws.

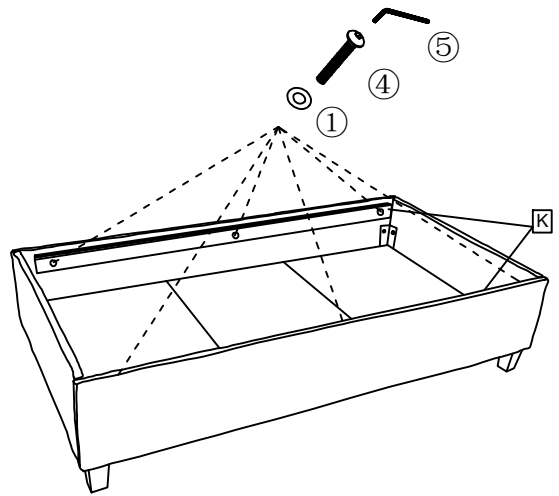


STEP 4 Install 4 wooden legs and tighten them.

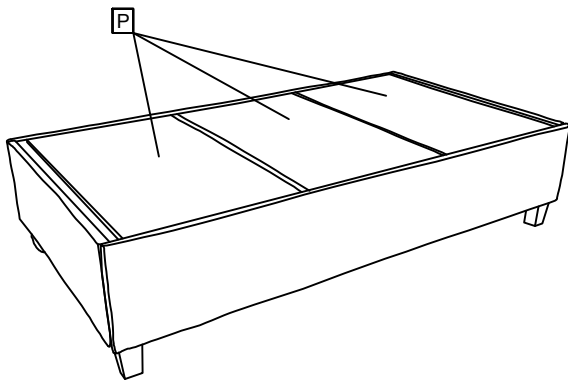
Installation Steps



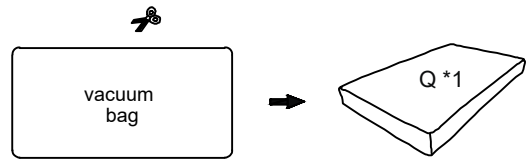
STEP 5 Put the bottom plate O in place.



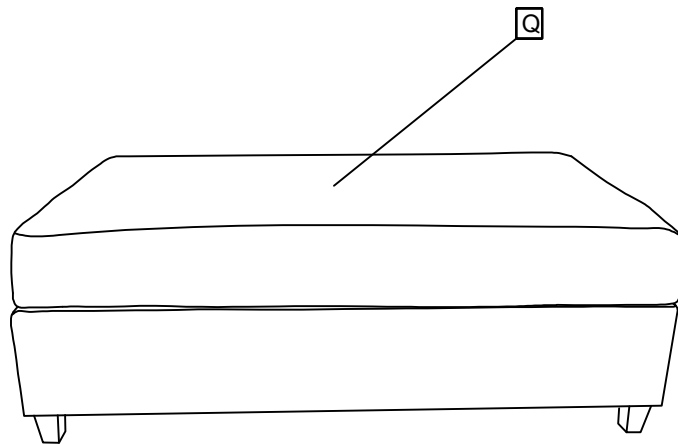
STEP 6 The side with Velcro is on top. (K*2)
After aligning the holes, fix them with screws.



STEP 7 Put the bottom plate P in place.



STEP 8 Cut the vacuum bag. The cushions spring back quickly and 24-48 hours to fully fluff.



STEP 9 Put on the seat cushion Q.

Frequently Asked Questions

We understand that receiving damaged or defective products can be disappointing, and we're here to assist you every step of the way. Here's how to address common concerns and initiate a damage claim:

1.What should I do if my shipment is damaged or products received are defective?

We're genuinely sorry to hear about any inconvenience caused. Please reach out to us promptly, and our team will prioritize resolving the matter swiftly and effectively, please retain the original box in case a return is required.

2.Can I return the product if I'm not satisfied?

While we uphold stringent quality standards and collaborate with experienced manufacturers, we acknowledge that dissatisfaction may arise. If you're still unsatisfied, of receiving the product. Simply message us with your reasons for return, and we'll facilitate the process.