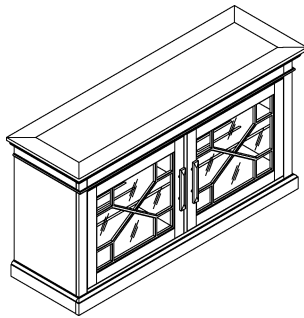


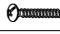



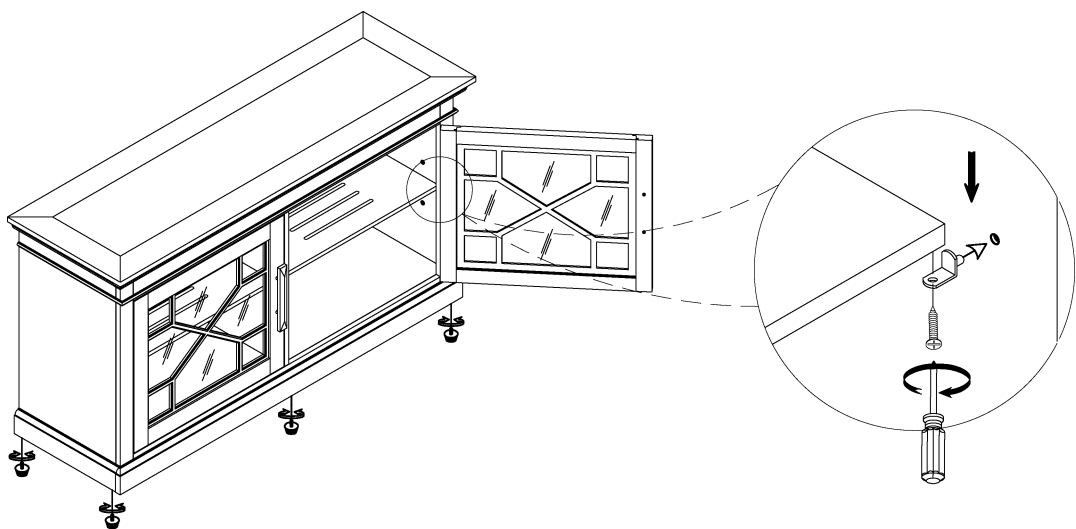
# Assembly Instruction

Description: 63" TV CONSOLE

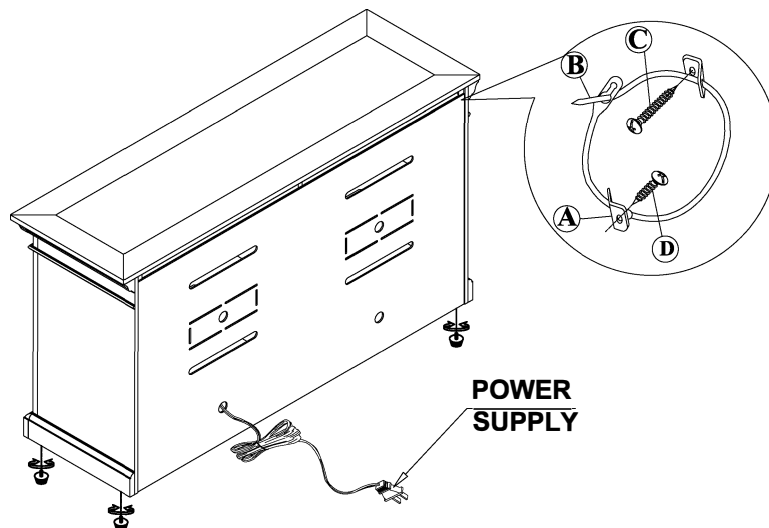


## HARDWARE LIST

A	Bracket		2 PCS
B	Tie wrap		1 PC
C	Long screw		1 PC
D	Short screw		1 PC

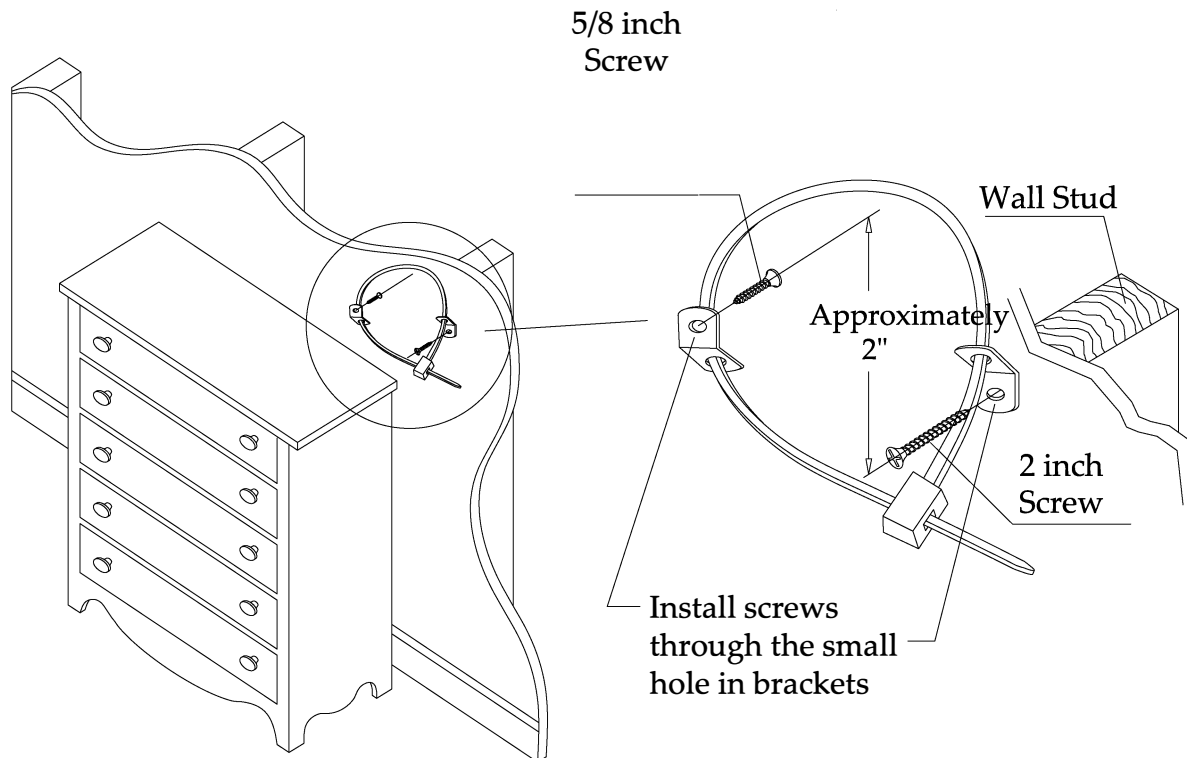


Adjustable



# Anti-Tip Hardware Installation Instructions

Notice: In homes where small children may be present, we recommends that steps be taken for certain furniture items to prevent or minimize the risk of tip-over. This furniture is equipped with Tip-over Restraint Hardware for use to minimize this risk, if used.



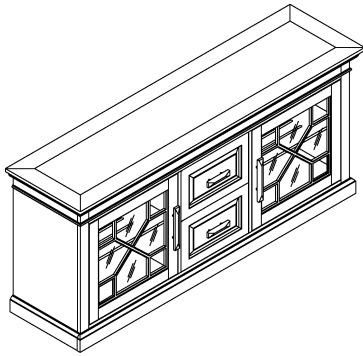
1. Temporarily locate the furniture to near it's final location in the room next to a wall. Locate a wall stud behind your furniture and also mark the stud's location on the back of your furniture.
2. Firmly attach one bracket to the stud approximately 2" below the top of the furniture with the **2 inch long** Wood Screws provided. It may be necessary to drill 3/32 dia. pilot holes for the screws.
3. Firmly attach the other bracket onto a solid, structural part on the back of the furniture using the **5/8 inch long** Wood Screws. It may also be necessary to pilot bore for these screws.
4. Move the furniture into its final position, taking care to line up the wall bracket with the furniture bracket. Thread a strap through the bracket as shown in the illustration. Tighten strap until snug but do not over tighten.

**Caution:** We assumes no liability for improper installation or excessive loads placed on screws, brackets or straps. Failure to detach this restraint before moving furniture may result in personal injury and property damage.


**Warning:** This tip-over restraint is not to be a substitute for proper adult supervision. Do not allow children to climb on furniture. Items left on top of the TV and furniture, such as toys, remote controls and treats might tempt young children to climb. Push the TV as far back as possible from the front of its stand. Place electrical cords out of a child's reach, and teach children not to play with the cords.

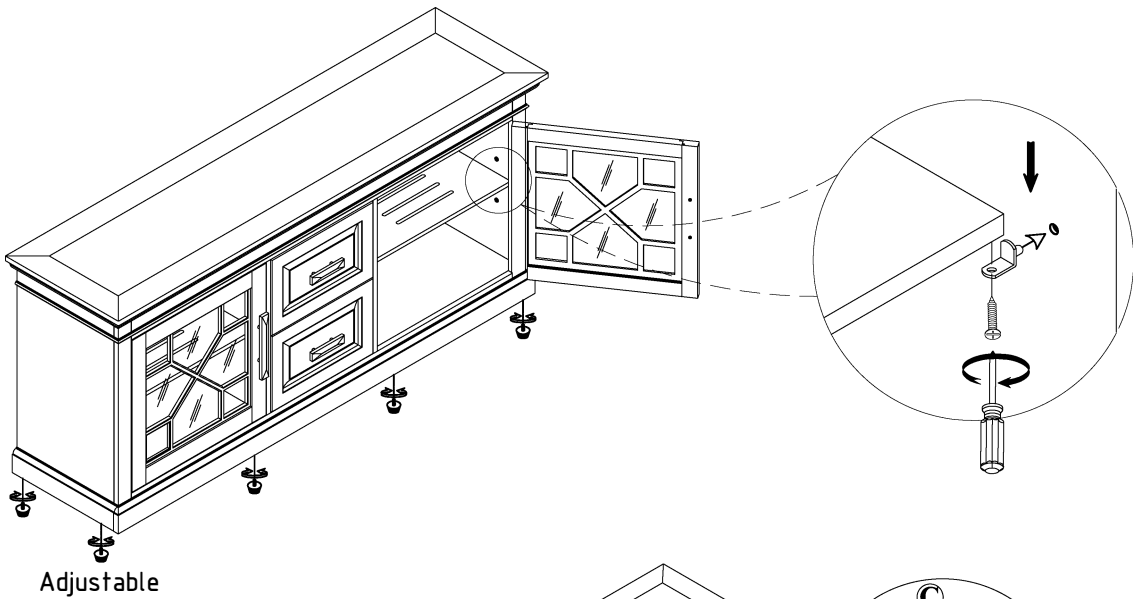
# Assembly Instruction

Description: 76" TV CONSOLE

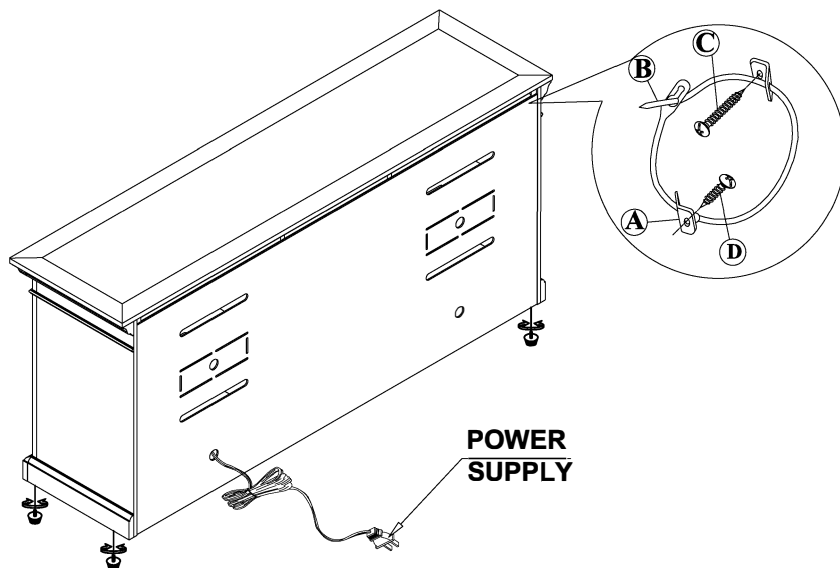


## HARDWARE LIST

A	Bracket		2 PCS
B	Tie wrap		1 PC
C	Long screw		1 PC
D	Short screw		1 PC



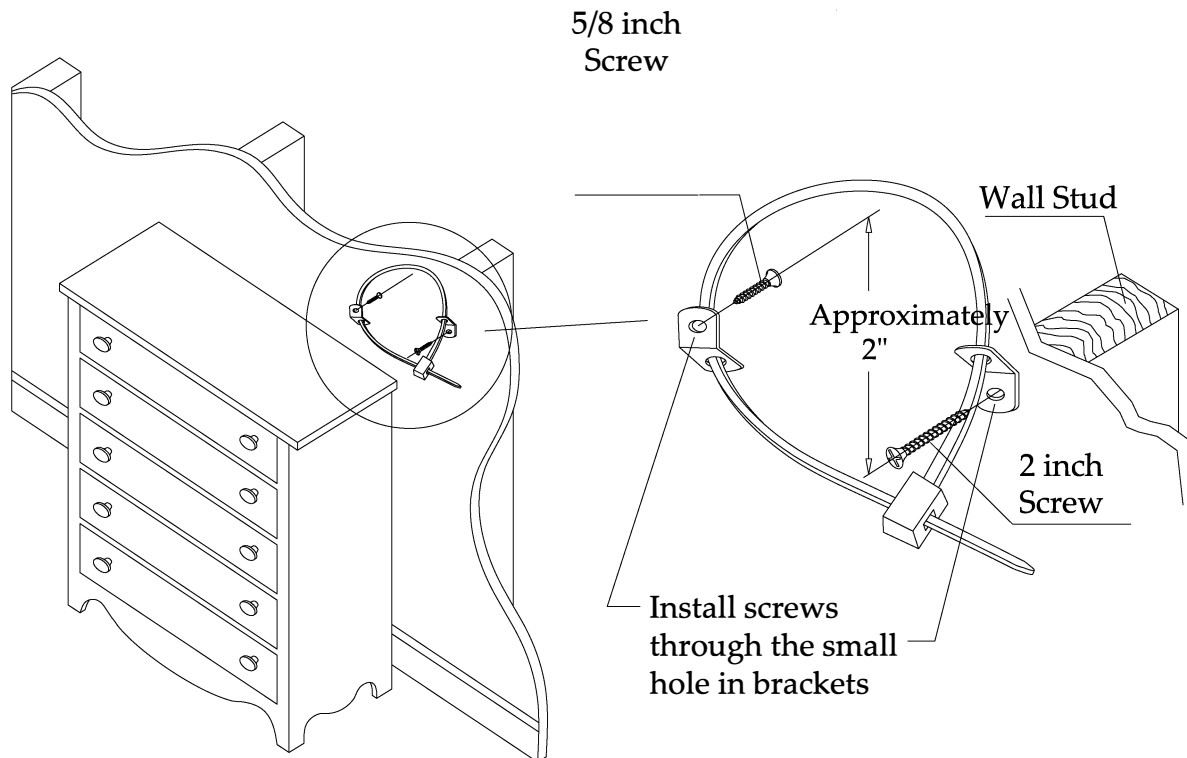
Adjustable



POWER  
SUPPLY

# Anti-Tip Hardware Installation Instructions

Notice: In homes where small children may be present, we recommends that steps be taken for certain furniture items to prevent or minimize the risk of tip-over. This furniture is equipped with Tip-over Restraint Hardware for use to minimize this risk, if used.



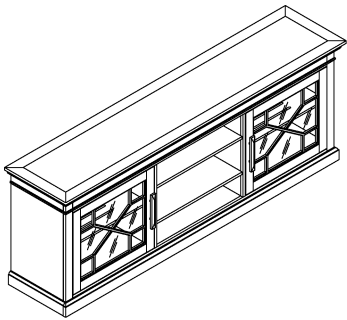
1. Temporarily locate the furniture to near it's final location in the room next to a wall. Locate a wall stud behind your furniture and also mark the stud's location on the back of your furniture.
2. Firmly attach one bracket to the stud approximately 2" below the top of the furniture with the **2 inch long** Wood Screws provided. It may be necessary to drill 3/32 dia. pilot holes for the screws.
3. Firmly attach the other bracket onto a solid, structural part on the back of the furniture using the **5/8 inch long** Wood Screws. It may also be necessary to pilot bore for these screws.
4. Move the furniture into its final position, taking care to line up the wall bracket with the furniture bracket. Thread a strap through the bracket as shown in the illustration. Tighten strap until snug but do not over tighten.

**Caution:** We assumes no liability for improper installation or excessive loads placed on screws, brackets or straps. Failure to detach this restraint before moving furniture may result in personal injury and property damage.


**Warning:** This tip-over restraint is not to be a substitute for proper adult supervision. Do not allow children to climb on furniture. Items left on top of the TV and furniture, such as toys, remote controls and treats might tempt young children to climb. Push the TV as far back as possible from the front of its stand. Place electrical cords out of a child's reach, and teach children not to play with the cords.

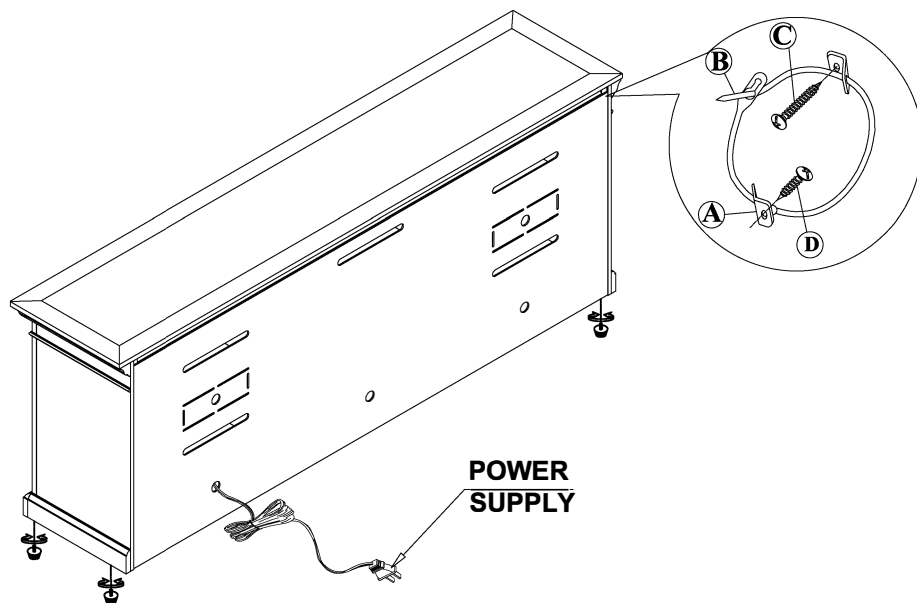
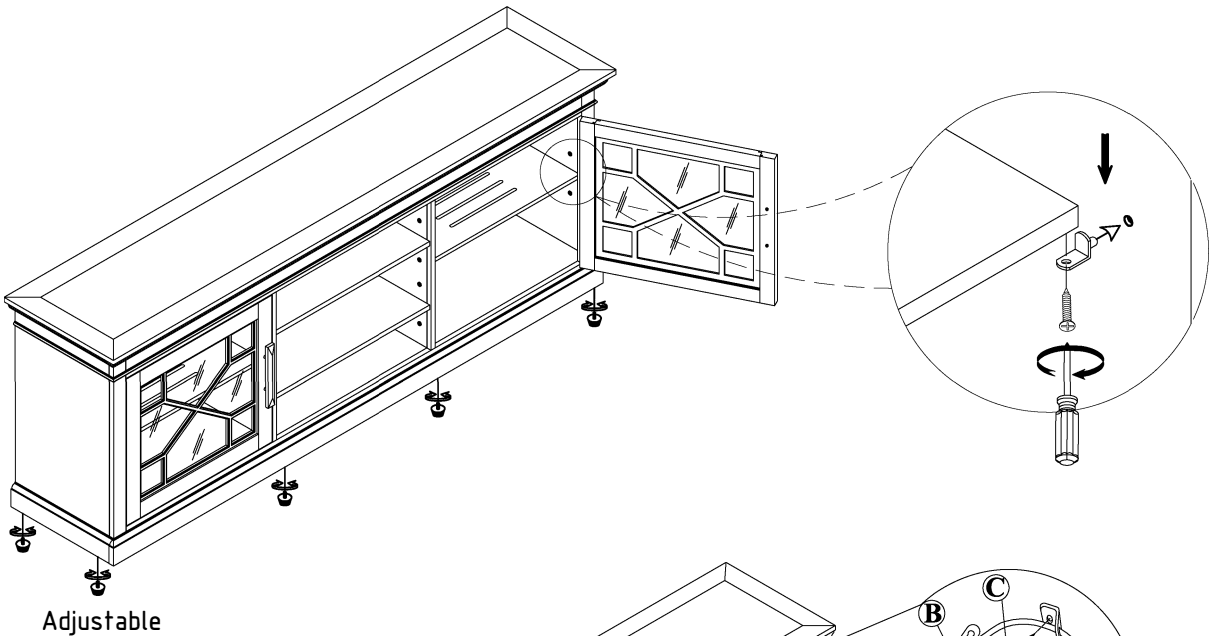
# Assembly Instruction

Description: 92" TV CONSOLE



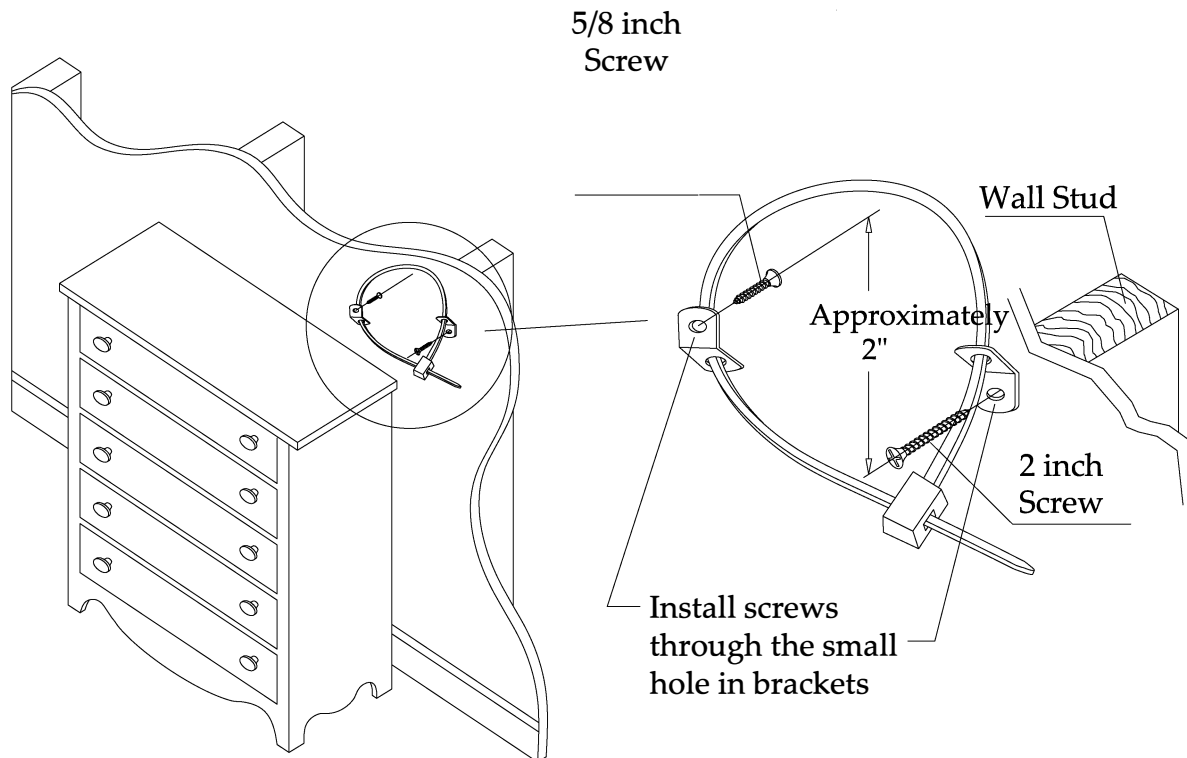
## HARDWARE LIST

A	Bracket		2 PCS
B	Tie wrap		1 PC
C	Long screw		1 PC
D	Short screw		1 PC



# Anti-Tip Hardware Installation Instructions

Notice: In homes where small children may be present, we recommends that steps be taken for certain furniture items to prevent or minimize the risk of tip-over. This furniture is equipped with Tip-over Restraint Hardware for use to minimize this risk, if used.



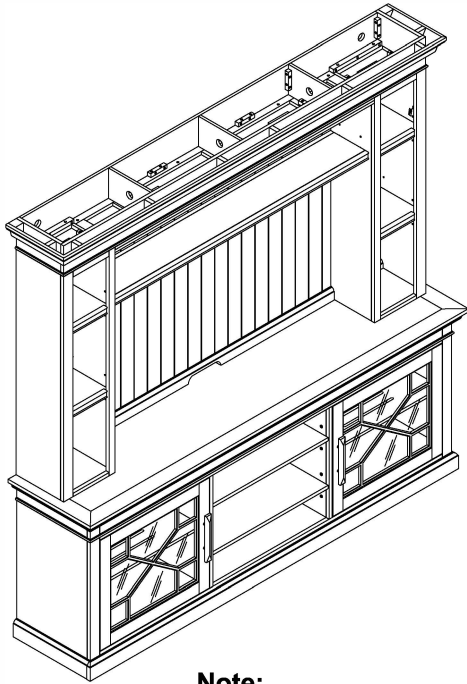
1. Temporarily locate the furniture to near it's final location in the room next to a wall. Locate a wall stud behind your furniture and also mark the stud's location on the back of your furniture.
2. Firmly attach one bracket to the stud approximately 2" below the top of the furniture with the **2 inch long** Wood Screws provided. It may be necessary to drill 3/32 dia. pilot holes for the screws.
3. Firmly attach the other bracket onto a solid, structural part on the back of the furniture using the **5/8 inch long** Wood Screws. It may also be necessary to pilot bore for these screws.
4. Move the furniture into its final position, taking care to line up the wall bracket with the furniture bracket. Thread a strap through the bracket as shown in the illustration. Tighten strap until snug but do not over tighten.

**Caution:** We assumes no liability for improper installation or excessive loads placed on screws, brackets or straps. Failure to detach this restraint before moving furniture may result in personal injury and property damage.

**Warning:** This tip-over restraint is not to be a substitute for proper adult supervision. Do not allow children to climb on furniture. Items left on top of the TV and furniture, such as toys, remote controls and treats might tempt young children to climb. Push the TV as far back as possible from the front of its stand. Place electrical cords out of a child's reach, and teach children not to play with the cords.

# Assembly Instruction

Description: 92" HUTCH BRIDGE/92" HUTCH PIERS/92" HUTCH BACK PANEL  
/92" TV CONSOLE



**Note:**  
1. Remove glass shelf from inner box

PARTS LIST:

①		②	
92"TV CONSOLE : 1PC		LIGHT BRIDGE: 1PC	
③		④	
LEFT BACK PANEL: 1PC		RIGHT BACK PANEL : 1PC	
⑤		⑥	
ADJUSTABLE SHELF: 1PC		BOTTOM RAIL BACK: 1PC	
⑦		⑧	
LEFT GLASS SHELF: 2PCS		RIGHT GLASS SHELF: 2PCS	
⑨		⑩	
LEFT PIER BASE : 1PC		RIGHT PIER BASE: 1PC	

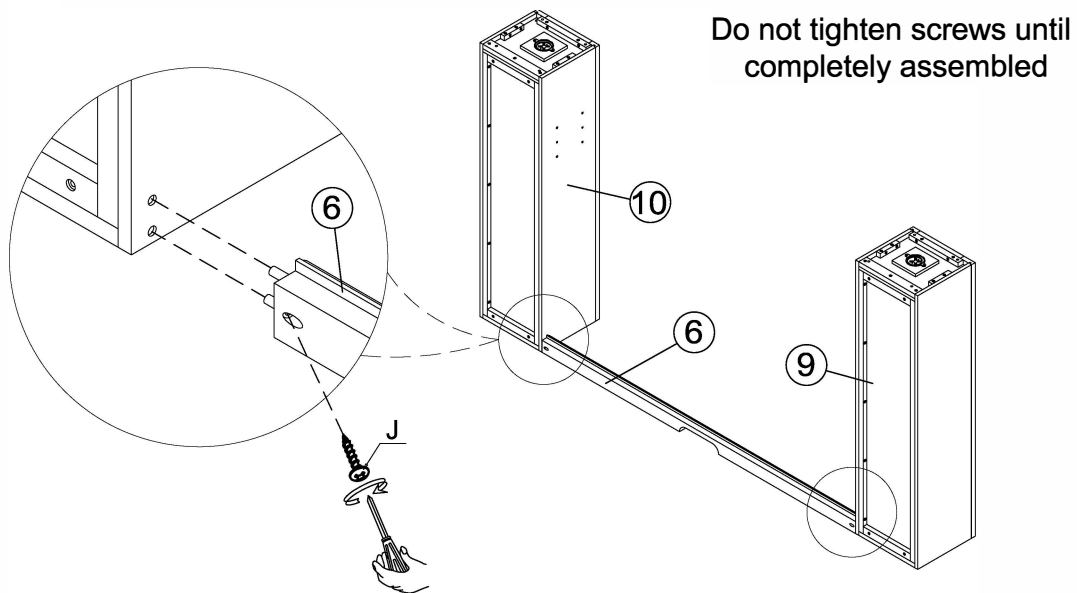
⑪

HARDWARE LIST

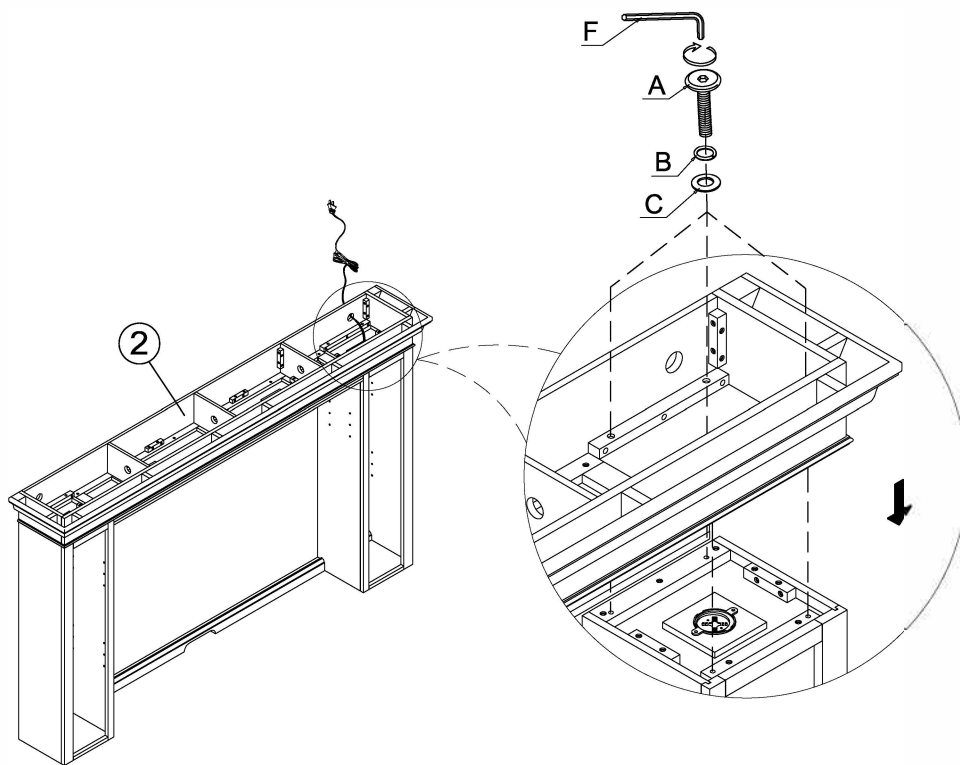
NO.	Drawing	Description	
A		Bolt Ø1/4"x1-1/2"	8pcs
B		Spring washer (Ø1/4")	8pcs
C		Flat washer (Ø1/4"x19mm)	8pcs
D		Bolt Ø1/4"x1-3/4"(16mm)	3pcs
E		Female bolt Ø1/4"x5/8"(16mm)	3pcs
F		Allen wrench (4mm)	1pc
G		Glass Shelf support	16pcs
H		Shelf support	4pcs
I		Wood screw(Ø6*5/8")	16pcs
J		Wood screw(Ø8*1-1/4")	2pcs
K		Wood screw(Ø8*3/4")	14pcs
L		Braket	2pcs
M		Tie warp	1pc
N		Long screw	1pc
O		Short screw	1pc

Description: 92" HUTCH BRIDGE/92" HUTCH PIERS/92" HUTCH BACK PANEL  
/92" TV CONSOLE

STEP1

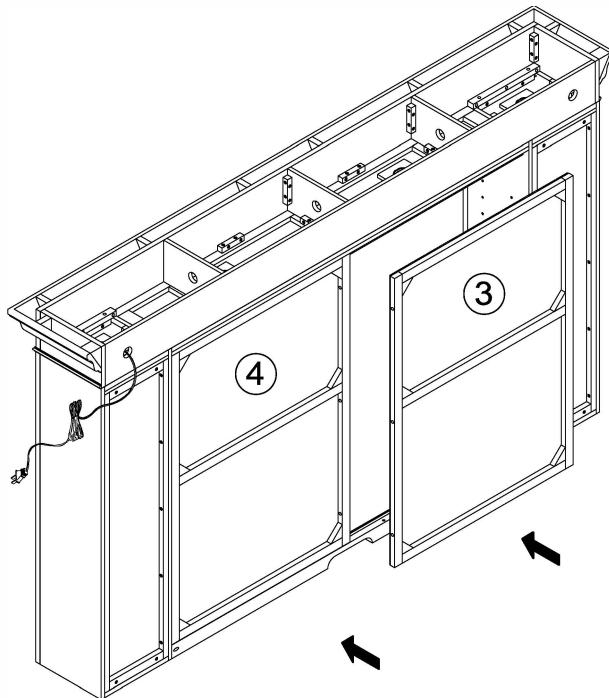


STEP2



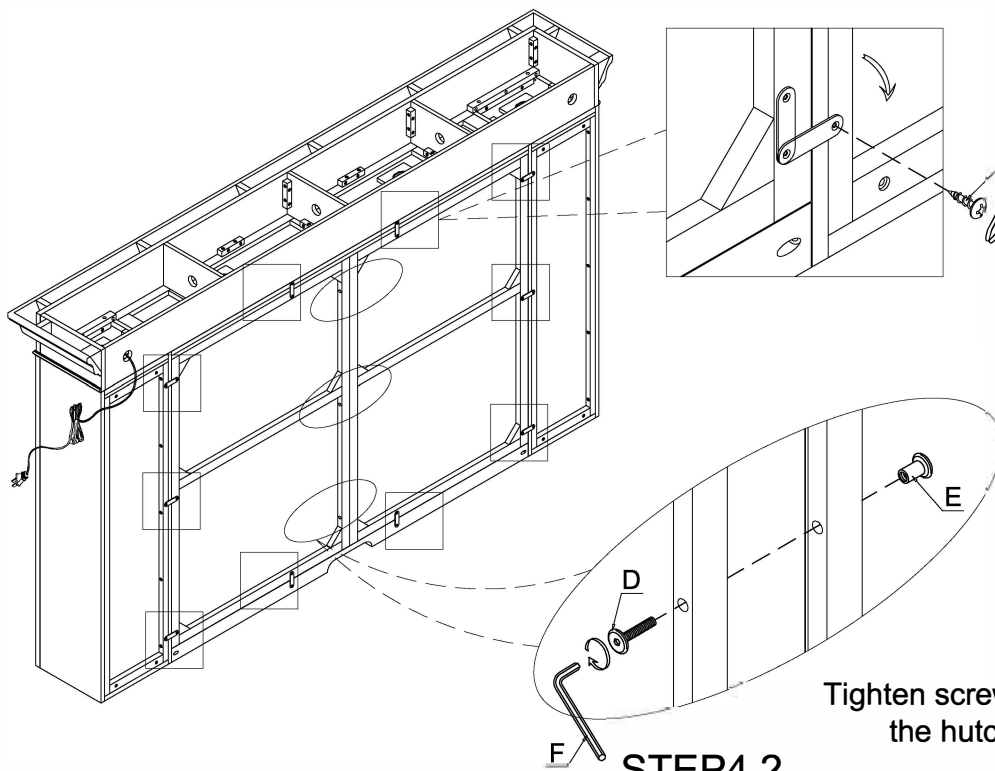
Description: 92" HUTCH BRIDGE/92" HUTCH PIERS/92" HUTCH BACK PANEL  
/92" TV CONSOLE

STEP3



Do not tighten screws until completely assembled

STEP4



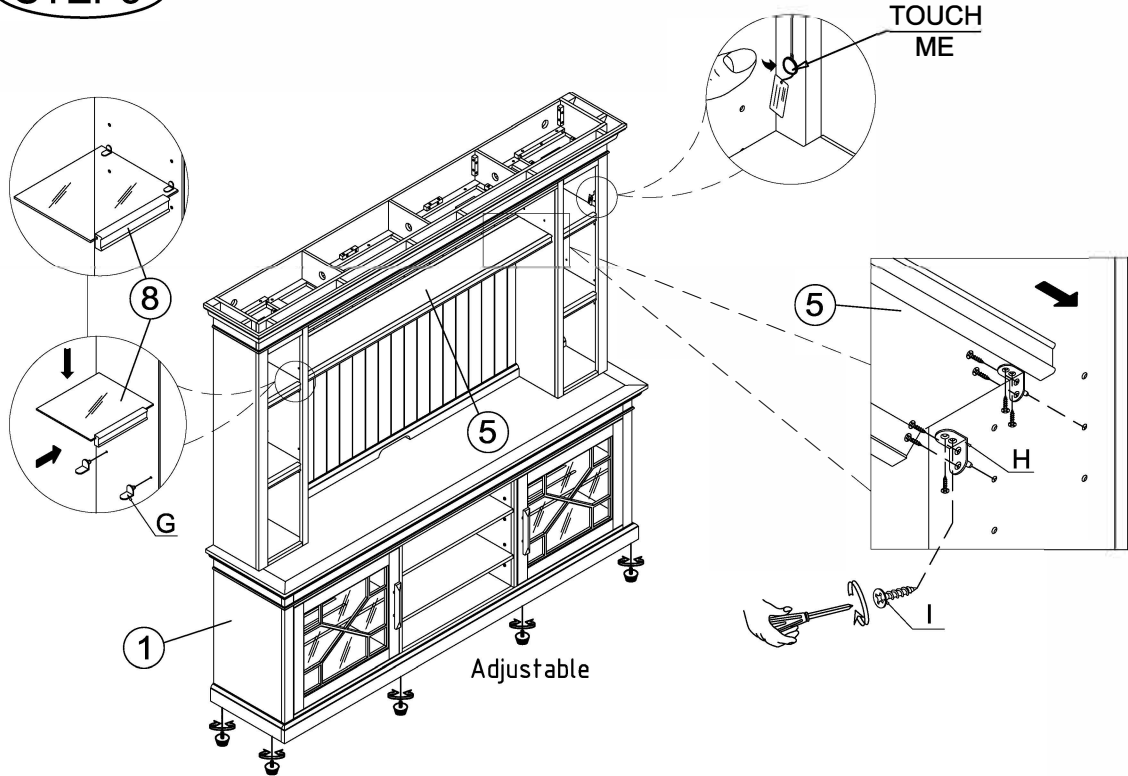
STEP4.1

Tighten screws for assembling the hutch back panel

STEP4.2

Description: 92" HUTCH BRIDGE/92" HUTCH PIERS/92" HUTCH BACK PANEL  
/92" TV CONSOLE

STEP 5



STEP 6

